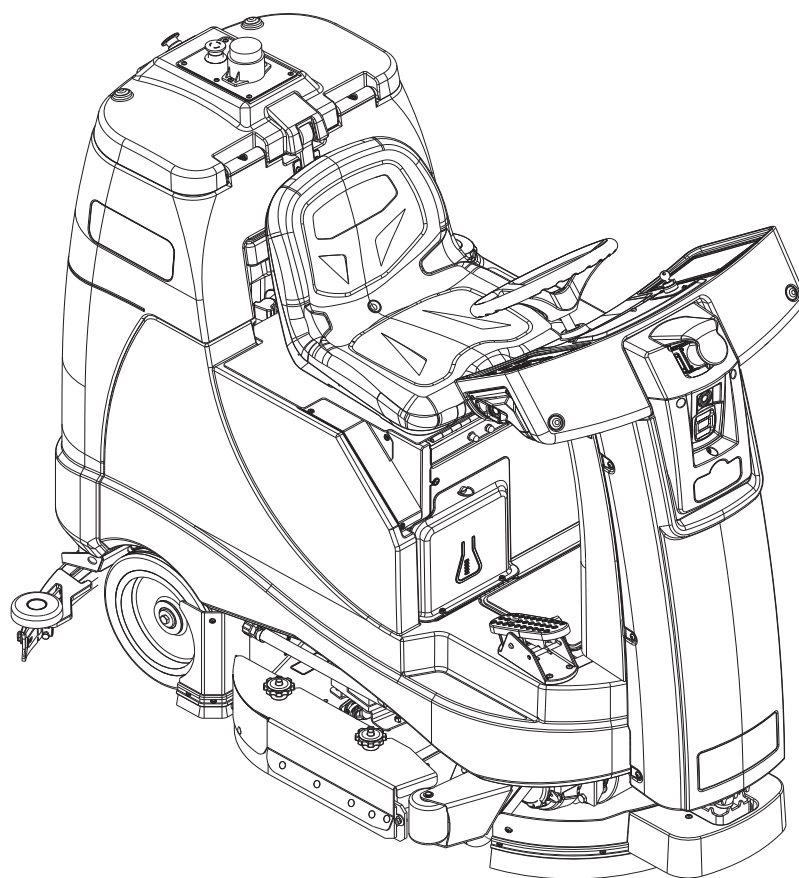


Nilfisk Liberty SC60

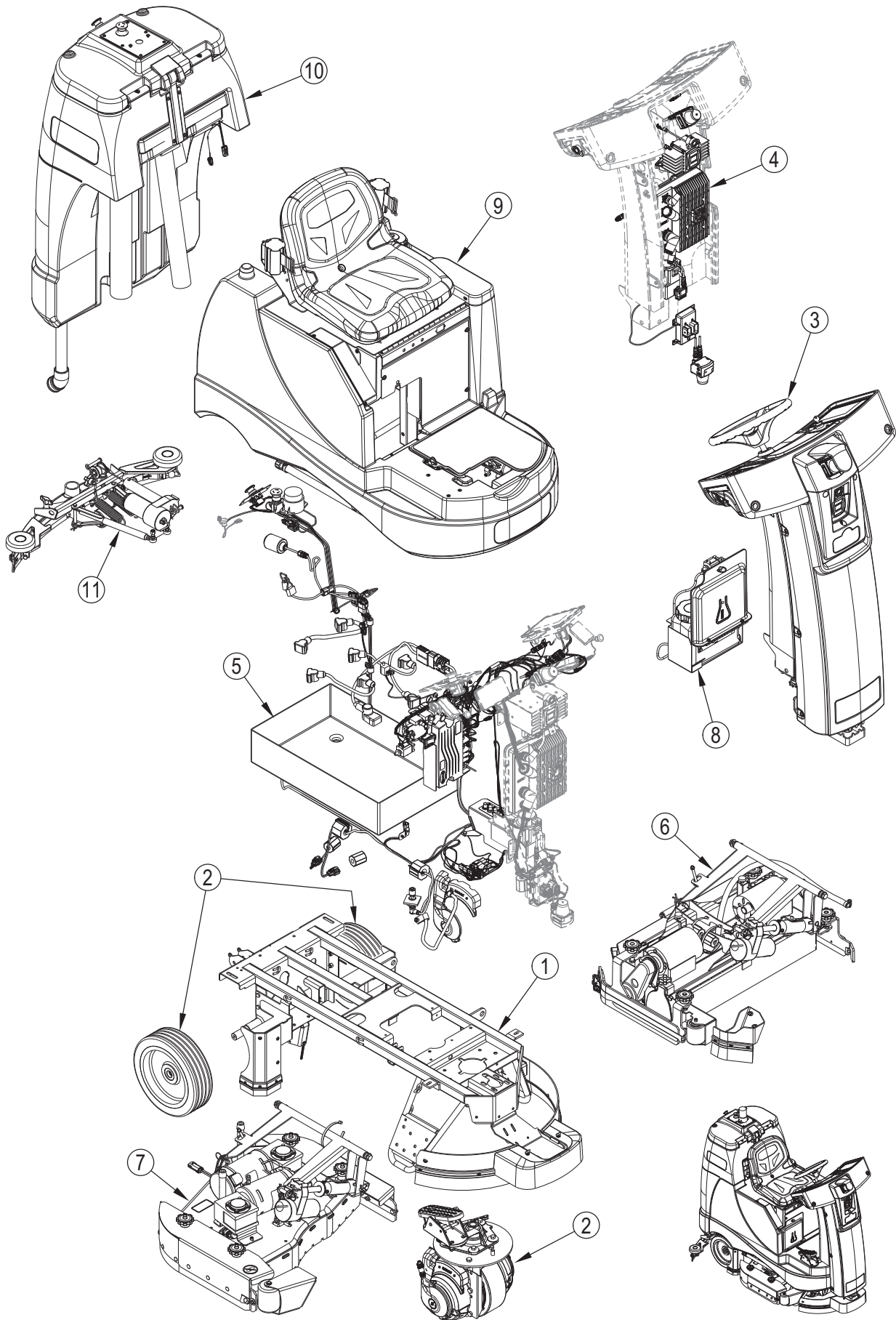
Parts List

7/2020 revised 3/2021 REV B
Form no. 56042682



Model No:
56123000 (X71D), 56123002 (X71C)

GENERAL VIEW



GENERAL VIEW

Kit	Item	Ref. No.	Qty	Description
	1		1	Chassis System
	2		1	Drive and Wheel System
	3		1	Steering System
	4		1	Autonomy System
	5		1	Electrical System
	6#			Scrub System-Cylindrical
	7		1	Scrub System-Disc
	8		1	Detergent Dispensing System
	9		1	Solution System
	10		1	Recovery System
	11		1	Squeegee System

= Revised or new since last update

TABLE OF CONTENTS

DESCRIPTION	PAGE
Chassis System.....	4-5
Drive And Wheel System.....	6-7
Decal System	8-9
Steering System	10-11
Autonomy System	12-13
Electrical System-1.....	14-15
Electrical System-2.....	16-17
Electrical System-3.....	18-19
Electrical System-4.....	20-21
Electrical System-5.....	22-23
Electrical System-6.....	24-25
Electrical System-7.....	26-27
Electrical System-8.....	28-29
Scrub System-Cylindrical 1	30-31
Scrub System-Cylindrical 2	32-33
Side Blade Assembly-Fixed-LH.....	34-35
Side Blade Assembly-Fixed-RH	36-37
Scrub System-Disc 1	38-39
Scrub System-Disc 2.....	40-41
Brush Skirt Assembly-RH.....	42-43
Brush Skirt Assembly-LH.....	44-45
Detergent Dispensing System.....	46-47
Solution System-1	48-49
Solution System-2	50-51
Recovery System	52-53
Sensor Assembly.....	54-55
Controller Assembly	56-57
Horizontal Lidar Assembly.....	58-59
Squeegee System	60-61
Squeegee System- Squeegee Assembly	62-63
Ladder Diagrams.....	64-73
Optional Kits & Accessories	74
Recommended Spare Parts	75
Brush Selector Guide	76-77
Squeegee Blade Selector Guide	78

WHEN ORDERING PARTS

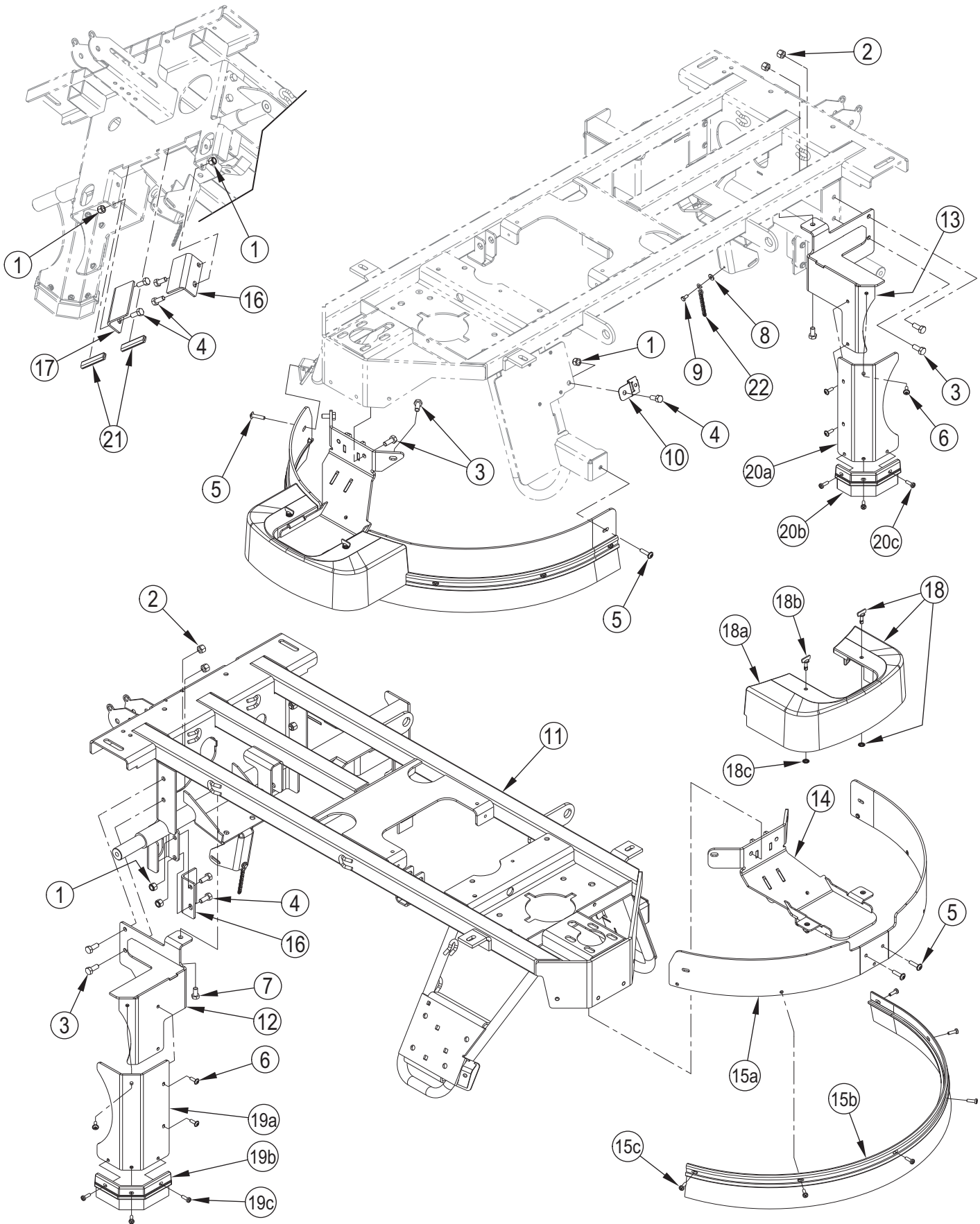
- * Use the part numbers from the "Ref. No." columns in this parts list. If the "Ref. No." column is blank; look under the "Kit" column to identify which kit contains the part in question, then use the kit callout, for example "K1", to find the "Ref. No." for that kit.
- * Specify the model and serial number of the machine.

Kit	Item	Ref. No.	Qty	Description
K1	1		16	Washer Flat 3/16 Zinc Plat
K1	2		2	Screw-BHS-Brass-10-32x3/8-MS
K1	3		3	Washer EPDM 7/32 X 1/8
	4	805	1	Chain-Cover
	5	905	2	Caster Swivel 4 Gray Non MA
K1	6		2	Nut, Hex Nyl Loc 10-24
K1	7		3	Scr- Hex SS 1/4-20 X .75
K1	8		16	Scr, Hex Hd Loc 1/4-20 x .50
K1	9		3	Wsh, Flt SS .260 X 1.000 X .074
	10	56113012	1	Solution Tank
	11	56113034	2	Hinge Plate
K1		56113103	1	Kit-Hardware Solution Tank

- * Use the space below to record the model and serial number for future reference.

Model _____ Serial No. _____

CHASSIS SYSTEM

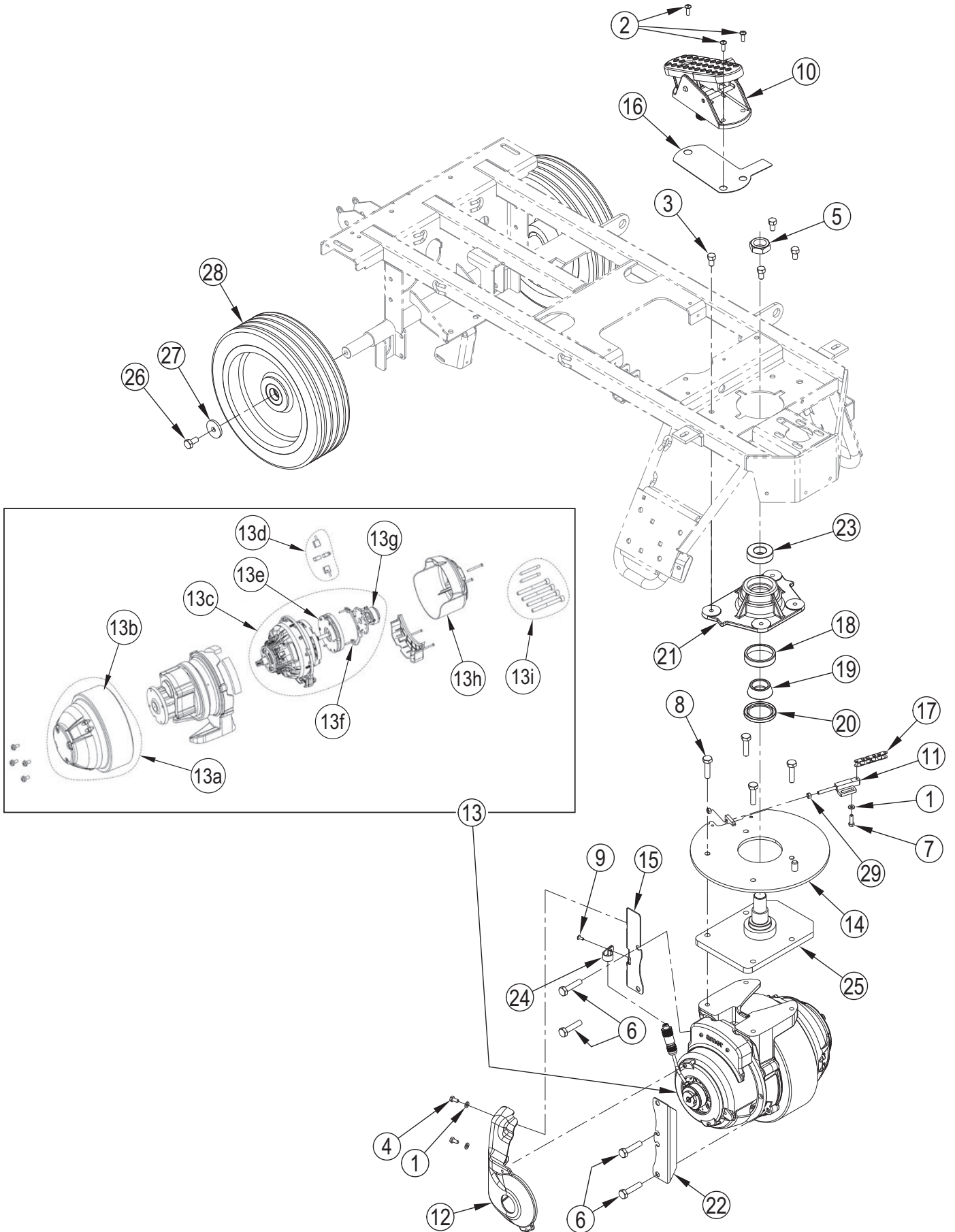


CHASSIS SYSTEM

Kit	Item	Ref. No.	Qty	Description
	1	56002856	5	Nut-Hex Nyl Loc Ss 5/16-18
	2	56003405	4	Nut, Hex Nyl Loc Ss M8-1.25
	3	56003435	8	Scr-Hex Ss M8-1.25 X 20mm
	4	56003925	5	Scr-Hex Loc Ss 5/16-18 X .75
	5#	56004185	4	Scr M6x1.0x20 Hex Flg Din6921
	6#	56004184	6	Scr M5x0.8x16 Hex Flg Din6921
	7	56004172	2	Scr M8-1.25x16 Hex Thd Frm Znc
	8	56009011	1	Wsh. Int Shprf #10
	9	56009012	1	Scr, Hex Thd Form 10-24 X .38
	10	56111972	1	Clip-Connector
	11	56123050	1	Chassis Weldment
	12	56123207	1	Right Guard Weldment
	13	56123211	1	Left Guard Weldment
	14	56123225	1	Front Guard Weldment
	15		1	Front Guard Assembly
	15a	56123212	1	Guard-Front-Wheel
	15b	56123213	1	Skirt-Front-Wheel
	15c	L08603744	6	Screw M5x16 Pan Hd Phil Ss Iso7045
	16	56123277	1	Stop-Squeegee-Right
	17	56123278	1	Stop-Squeegee-Right
	18	56123280	1	Lidar Cover Assembly
	18a	56123229	1	Cover-Lidar
	18b	56123274	2	Fastener-1/4-Turn
	18c	56123275	2	Retainer-Push-On
	19		1	Right Cover Assembly
	19a	56123205	1	Cover-Right-Wheel
	19b	56123206	1	Skirt-Right-Wheel
	19c	L08603744	3	Screw M5x16 Pan Hd Phil Ss Iso7045
	20		1	Left Cover Assembly
	20a	56123209	1	Cover-Left-Wheel
	20b	56123210	1	Skirt-Left-Wheel
	20c	L08603744	3	Screw M5x16 Pan Hd Phil Ss Iso7045
	21	56412122	2	Trim Edge
	22	56601716	1	Ground Chain

= Revised or new since last update

DRIVE AND WHEEL SYSTEM



DRIVE AND WHEEL SYSTEM

Kit	Item	Ref. No.	Qty	Description
	1	33005875	3	Dn 33005875.Prt
	2	56002957	3	Scr-Pan Phil Ss 1/4-20 X .75
	3	56003040	4	Scr-Hex Hd Loc 3/8-16x.62
	4	56003211	2	Scr-Hex Ss M6-1 X 12mm
	5	56003220	1	Nut, Hex Nyl Loc-Thin 1-14
	6	56003445	4	Scr, Hex Loc Metric
	7	56003454	1	Scr-Hex Thd To Hd Ss M6-1 X 20mm
	8	56003491	4	Scr-Hex M10-1.5 X 40mm
	9	56004097	1	Scr Trx M4x10 Bk Zc W/Thd Lck
	10	56117557	1	Pedal-Uni Direction-Hall R4, NOTE 1
	11	56117874	1	Chain Tensioner Weldment
	12	56123072	1	Cover-Encoder
	13	56123096	1	Motor-Drive Wheel-W/ Encoder M1, NOTE 3
	13a	56123191	1	Tire/Hub Assembly
	13b	56601471	1	Tire
	13c	56123192	1	Motor-Drive Wheel
	13d	56601509	1	Carbon Brush Kit
	13e	56123193	1	Brake-Parking Y1, NOTE 1
	13f	56380310	1	Kit Brake Lever
	13g	56123196	1	Encoder-Drive Wheel DWAE, NOTE 4
	13h	56123194	1	Cover-Drive Motor
	13i	56422174	1	Tire Puller Kit
	14	56123146	1	Steering Plate Weldment
	15	56123293	1	Bracket-Wheel-Harness
	16	56123178	1	Plate-Foot Pedal
	17	56123295	1	Chain-Roller
	18	56158143	1	Bearing Cup
	19	56158151	1	Bearing Cone
	20	56171081	1	Seal-Shaft 1.750
	21	56314032	1	Block, Bearing
	22	56344100	1	Bracket-Wheel
	23	56378380	1	Bearing Ball
	24	56442003	1	Clamp-P
	25	56601077	1	Spindle Weldt
	26	56003442	2	Scr, Hex Loc Metric
	27	56367117	2	Wsh, Flt .406 X 1.5 X .1875
	28	56382693	2	Wheel
	29	1459960000	1	Nut M6 Ss

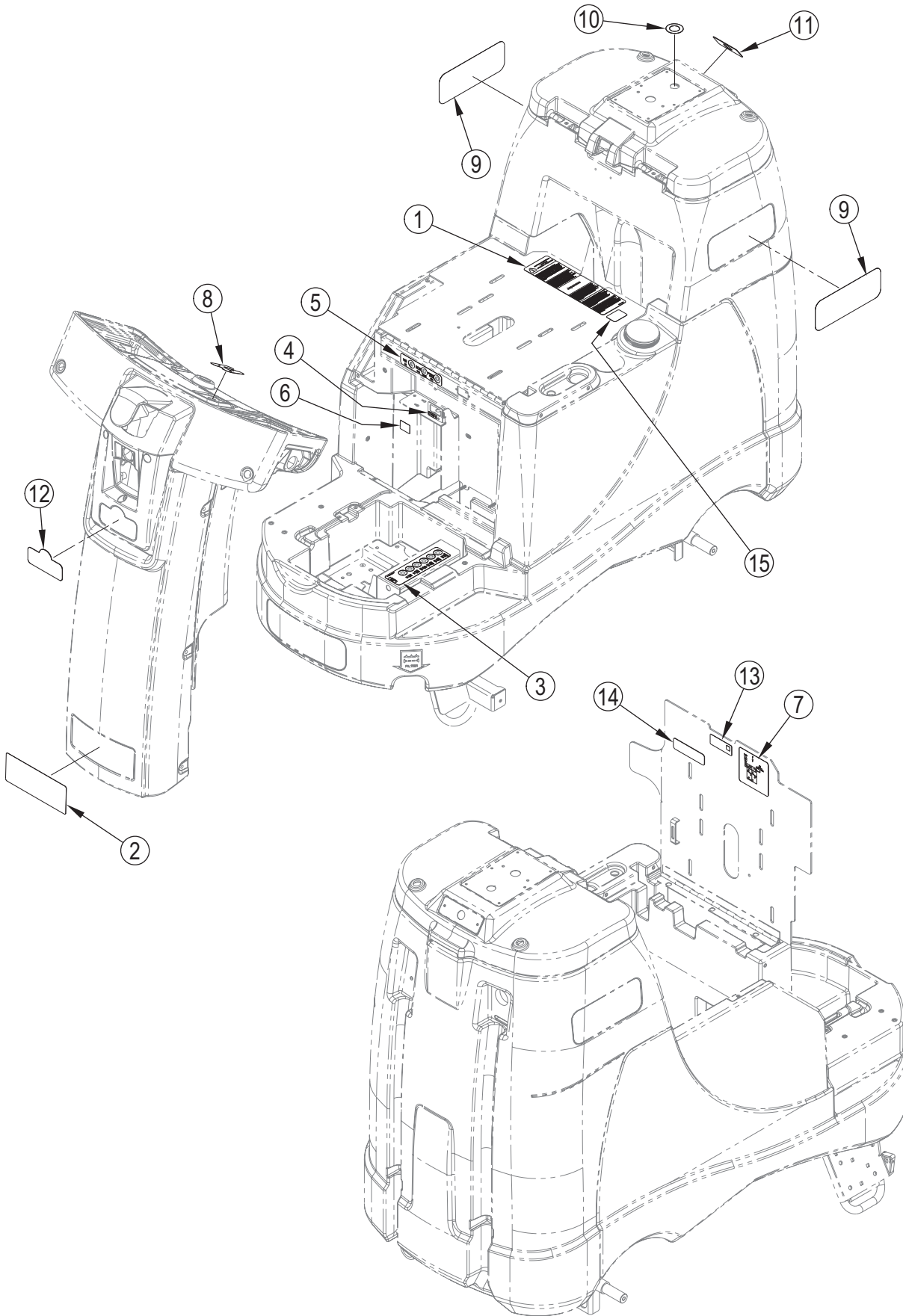
NOTE 1: Item 13e Is also referred to as **EM BRAKE**

NOTE 2: Item 10 Is also referred to as **DRIVE PEDAL**

NOTE 3: Item 13 Is also referred to as **DRIVE WHEEL MOTOR**

NOTE 4: Item 13g Is also referred to as **DRIVE WHEEL ANGLE ENCODER**

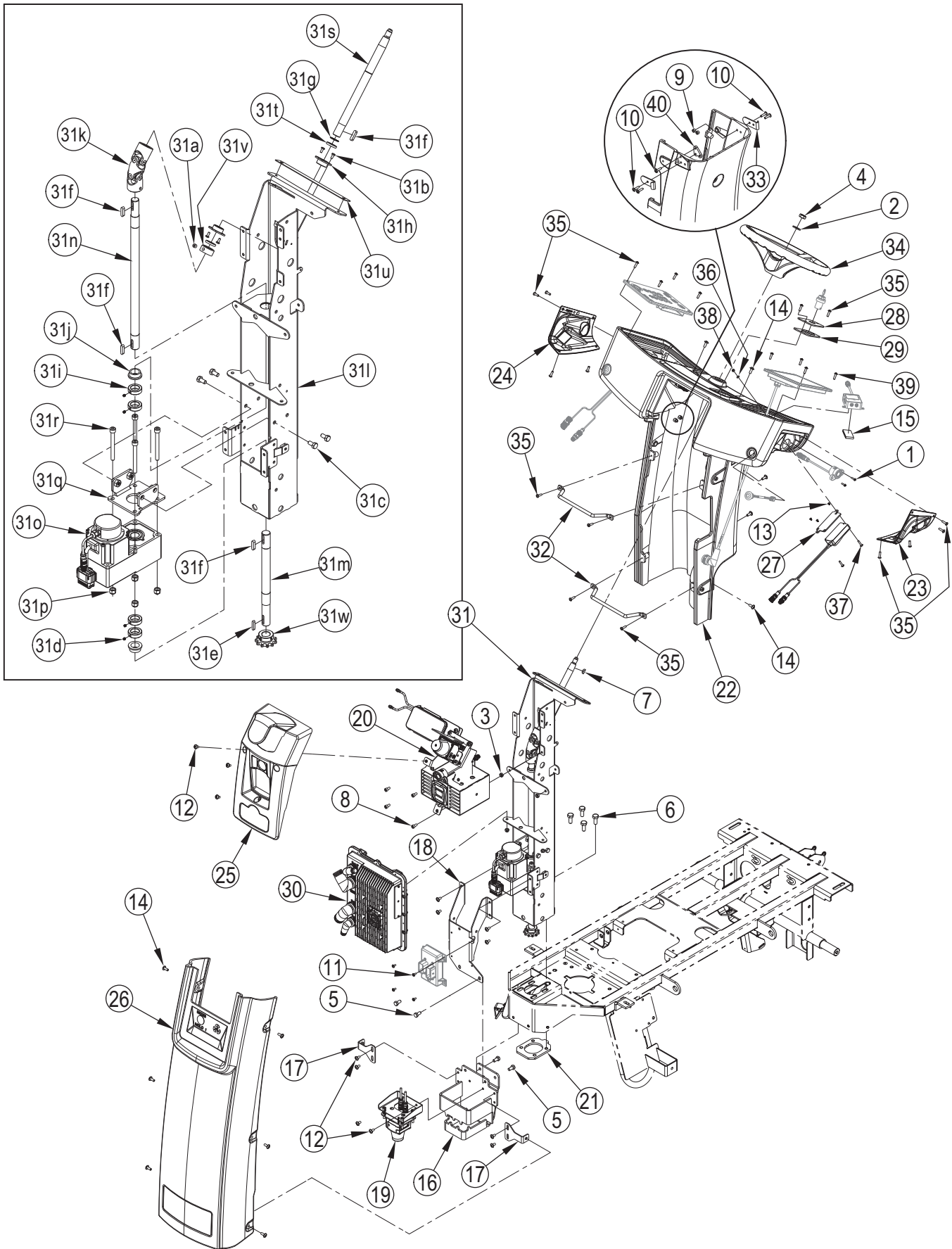
DECAL SYSTEM



DECAL SYSTEM

Kit	Item	Ref. No.	Qty	Description
	1	56014601	1	Decal-Caution
	2	1463789000	1	Decal Nilfisk 210x83mm Lt Grey
	3	56123048	1	Decal-Circuit Breaker
	4	56123065	1	Decal-Bypass
	5	56123069	1	Decal-Circuit Breaker
	6	56123083	1	Decal-Chemical Ratio
	7	56123085	1	Decal-Battery Wiring
	8	56123086	1	Decal-Key Switch
	9	56123099	2	Decal-Liberty Sc60
	10	56123156	1	Decal-Emergency Stop
	11	56123157	1	Decal-Play-Pause
	12	56123162	1	Decal-Brain Corp
	13		1	Decal-Robot Id Number
	14	56123200	1	Decal-Patent-Nilfisk-Brain
	15	56394259	1	Decal-Prop 65

STEERING SYSTEM

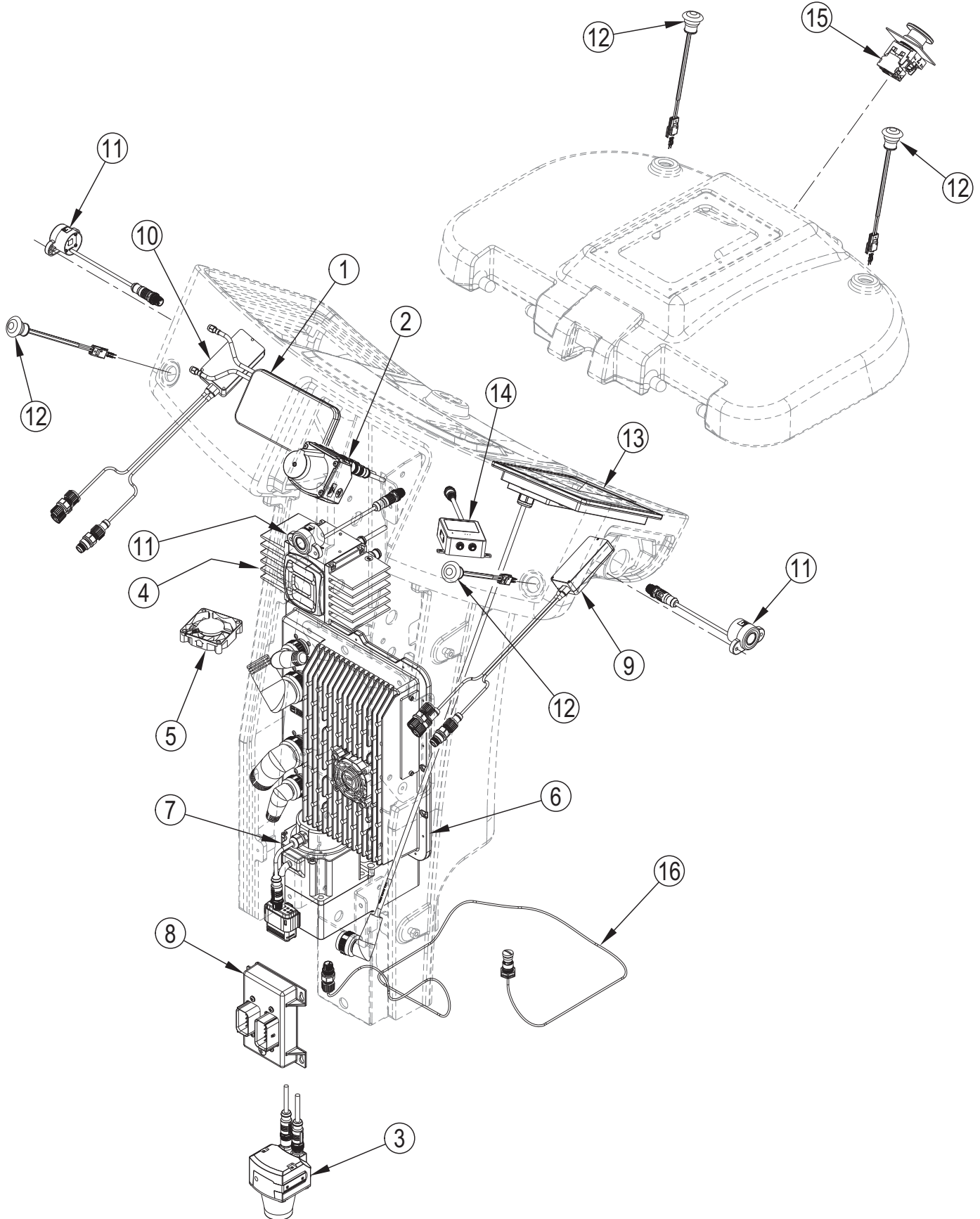


STEERING SYSTEM

Kit	Item	Ref. No.	Qty	Description	Kit	Item	Ref. No.	Qty	Description
	1	56001816	4	Scr M3.5x14 Trx Plastite		31		1	Steering Column Assembly
	2	56001879	1	Wsh-Flt Sae 1/2		31a	56002086	1	Scr. Soc Set Loc 5/16-18 X .25
	3	56002840	4	Nut, Hex Nyl Loc-Thin 1/4-20		31b	56002523	4	Scr. Pan Phil Thd Form 8-32 X .38
	4	56002843	1	Nut, Hex Nyl Loc-Thin 1/2-13		31c	56003178	4	Scr-Hex M8-1.25 X 16mm
	5	56003178	2	Scr-Hex M8-1.25 X 16mm		31d	56004016	4	Scr-Set-Knurl-Soc Hd-M5-0.8x5
	6	56003186	4	Scr Hex Thd/Hd M10-1.50 X 25mm		31e	56004163	1	Key Sq Rnd .19x1.0 Cs Zinc
	7	56003227	1	Key,Wdf #807		31f	56004164	4	Key Sq Rnd 6x25mm Din 6885a Cs
	8	56003357	4	Scr Soc Thd To Hd M6 X 12.0		31g	56004166	1	Ring-Ret-Spiral-Ext-Ss-0.75
	9#	56003426	2	Nut, Hex Nyl Loc Ss M6-1		31h	56100393	2	Bushing
	10#	56004018	5	Scr M6x25 Iso7380-2 Flg Blk		31i	56104157	4	Collar
	11	56004097	4	Scr Trx M4x10 Bk Zc W/Thd Lck		31j	56104267	2	Bearing Flange
	12	56004100	13	Scr Trx M6x12 W/Thd Lck Blk		31k	56117942	1	Ujoint-Double-18mm
	13	56004156	6	Screw Flat Trx M3x6 Ss		31l	56123013	1	Steering Column Weldment
	14	56004157	11	Scr Trx M6x16 W/Thd Lck Blk		31m	56123049	1	Shaft-Steering-Lower
K1,K2	15		1	Velcro-Hook And Loop P1		31n	56123092	1	Shaft-Steering-Upper
	16	56123020	1	Lower Column Mount Weldt		31o		1	Steering Gear Motor Assembly
	17	56123024	2	Bracket-Shroud		31p	56003389	4	Nut-Hex Nyl Loc M8-1.25
	18	56123025	1	Bracket-Column Mounting		31q	56123160	1	Mounting Bracket Weldment
	19	56123026	1	Horizontal Lidar Assembly (See Pages 50-51)		31r	1455741000	4	Screw M8x80 Cap Hd Hex Sock Iso4762
	20		1	Sensor Assy (See Pages 46-47)		31s	56123185	1	Shaft-Steering Wheel
	21	56123066	1	Plate-Nut-Steering Column		31t	56123198	2	Spacer-Shaft
	22	56123114	1	Console-Steering		31u	56123239	1	Pad-Grip-Console
	23	56123117	1	Cap-Side-Left		31v	56367095	1	Collar, Shaft
	24	56123118	1	Cap-Side-Right		31w	56471148	1	Sprocket H40b11 Re188c
	25	56123119	1	Bezel-Column-Front		32	56123181	2	Brace-Console-Front
	26	56123121	1	Shroud-Column-Front		33#	56123331	2	Retainer-Belt
	27	56123153	2	Plate-Mount-3d Sensor		34	56601060	1	Steering Wheel
	28	56123154	1	Panel-Key Switch Mount		35#	302003704	18	Screw Ejot Delta Pt50x18wn1451
	29	56123155	1	Gasket-Key Switch Panel		36	33005911	4	Washer Flat Uni-6592 M4
	30		1	Controller Assy (See Pages 48-49)		37	56004005	4	Scr-Button Soc Ss M4-0.7x20
						38	88623a	4	Nut M4-.7 Nylon Insert
						39#	56004187	4	Scr W1452 M5x20 Bk Zc
						40#	56123329	1	Plate-Nut-Blue Light
Service Kits									
	K1	56123257	1	Comm Module Kit-Global P1					
	K2	56123258	1	Comm Module Kit-Canadian P1					

= Revised or new since last update

AUTONOMY SYSTEM



AUTONOMY SYSTEM

Kit	Item	Ref. No.	Qty	Description
K15	1		1	Antenna-Cellular-Lte 1-2-Sma
K1	2		1	Lidar-Slanted P7 NOTE 10
K2	3		1	Lidar-Horizontal P6 NOTE 9
K3	4		1	Camera-3d-Front P10 NOTE 5
	5	56123056	1	Fan-Cooling-60mm M11, NOTE 3
K4	6		1	Module-Control ACM, M9, NOTE 2
K5	7		1	Gearmotor-Steering-24vdc M10, NOTE 1
	8	56123059	1	Module-Motor Amplifier SC NOTE 11
K11	9		1	3d Sensor-Left P14 NOTE 6
K12	10		1	3d Sensor-Right P2 NOTE 7
K13	11		3	2d Sensor-5vdc P3, P9, P13 NOTE 8
	12	56123074	4	Turn Signal Assembly P4, P12, NOTE 14
K16	13		1	Module-Touch Screen ATS, NOTE 13
K6	14		1	Module-Communications-Global P1, NOTE 12
K7			1	Module-Communications-Canada P1, NOTE 12
K14	15		1	Button-Start-Pause S5, S7 NOTE 4
	16	56123090	1	Cable-Service Port-Ethernet
K8	[17]		1	Harness-Upper Trunk
K9	[18]		1	Harness-Down Trunk
K10	[19]		1	Harness-Power Trunk

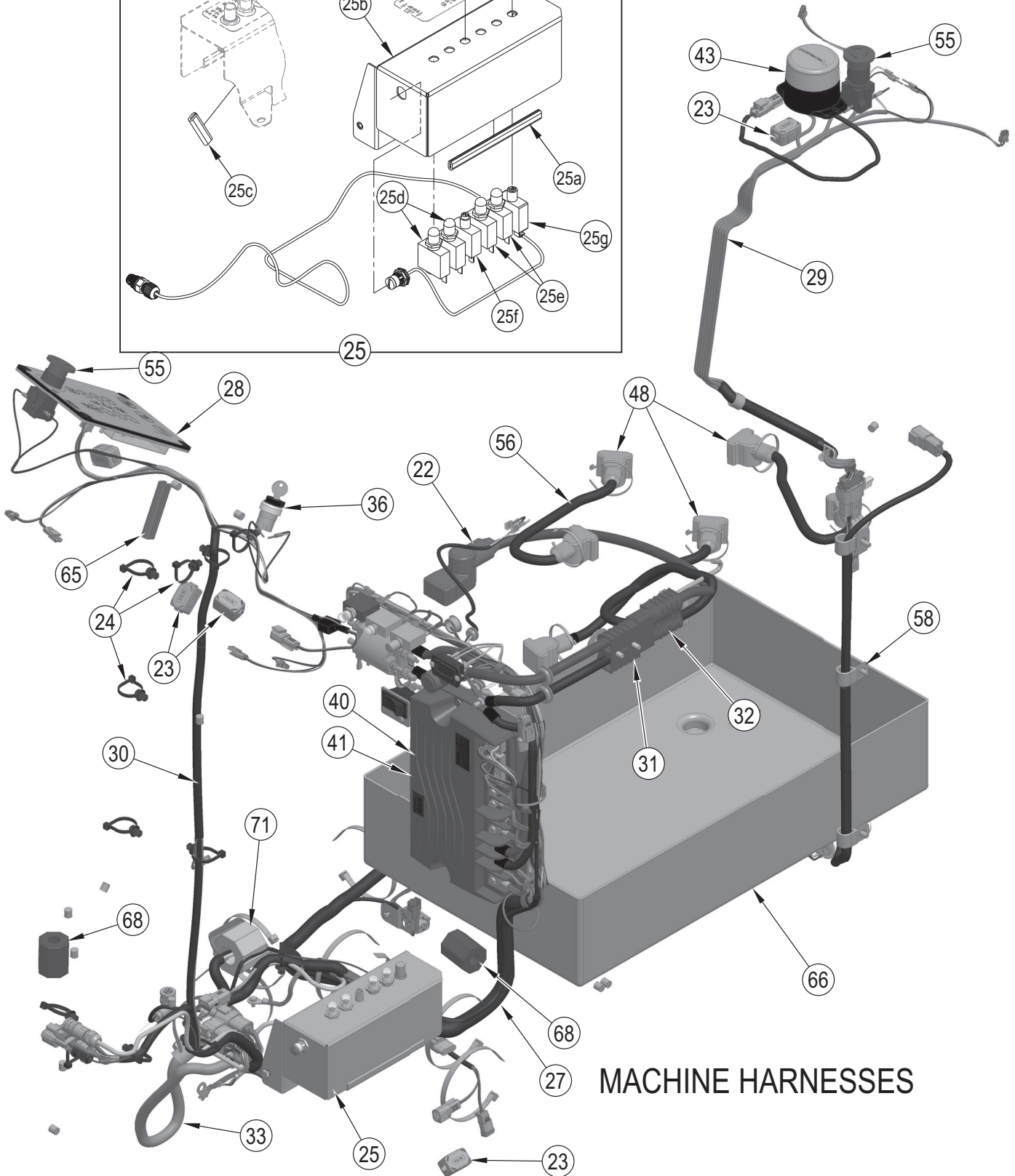
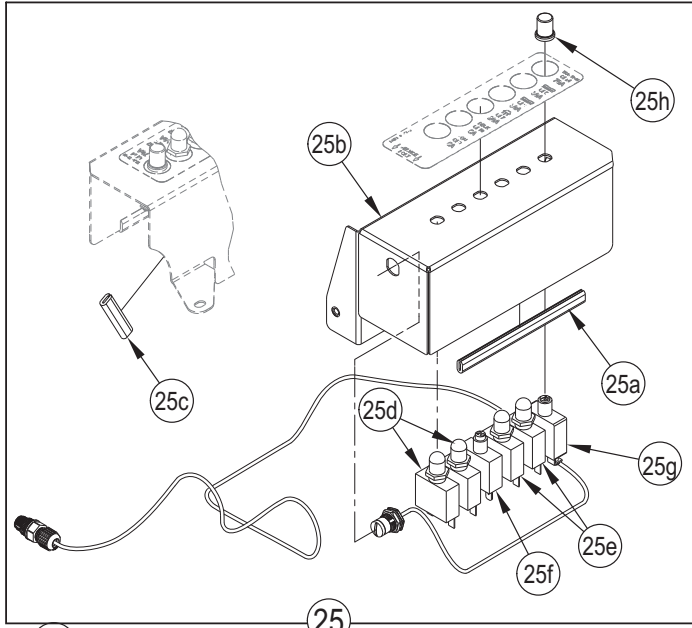
Service Kits

K1	56123252	1	Slanted Lidar Kit P7
K2	56123253	1	Horizontal Lidar Kit P6
K3	56123254	1	Front 3d Camera Kit P10
K4	56123255	1	Control Module Kit ACM, M9
K5	56123256	1	Steering Gear Motor Kit M10
K6	56123257	1	Comm Module Kit-Global P1
K7	56123258	1	Comm Module Kit-Canadian P1
K8	56123259	1	Upper Trunk Harness Kit
K9	56123260	1	Down Trunk Harness Kit
K10	56123261	1	Power Trunk Harness Kit
K11	56123262	1	3d Sensor Kit-Left P14
K12	56123263	1	3d Sensor Kit-Right P2
K13	56123264	1	2d Sensor Kit P9
K14	56123265	1	Start/Pause Button Kit S5, S7
K15	56123250	1	Cellular Antenna Kit
K16	56123251	1	Touchscreen Kit ATS

[] = Not Shown

NOTE 1: Item 7 Is also referred to as **STEERING MOTOR**
NOTE 2: Item 6 Is also referred to as **AUTONOMY CONTROL MODULE**
NOTE 3: Item 5 Is also referred to as **FRONT 3D OBSTACLE CAMERA FAN**
NOTE 4: Item 15 Is also referred to as **START PAUSE BUTTON**
NOTE 5: Item 4 Is also referred to as **FRONT 3D OBSTACLE CAMERA**
NOTE 6: Item 9 Is also referred to as **LEFT 3D OBSTACLE CAMERA**
NOTE 7: Item 10 Is also referred to as **RIGHT 3D OBSTACLE CAMERA**
NOTE 8: Item 11 Is also referred to as **FRONT 2D ENVIRONMENT CAMERA**
NOTE 9: Item 3 Is also referred to as **2D MAPPING LIDAR**
NOTE 10: Item 2 Is also referred to as **2D DROPOFF LIDAR**
NOTE 11: Item 8 Is also referred to as **STEERING CONTROLLER**
NOTE 12: Item 14 Is also referred to as **LTE_MODEM**
NOTE 13: Item 13 Is also referred to as **AUTONOMY TOUCH SCREEN**
NOTE 14: Item 12 Is also referred to as **TURN_SIGNAL FRONT_RIGHT,**
TURN_SIGNAL REAR_RIGHT, TURN_SIGNAL FRONT_LEFT,
TURN_SIGNAL REAR_LEFT

ELECTRICAL SYSTEM-1



MACHINE HARNESSSES

ELECTRICAL SYSTEM-1

Kit	Item	Ref. No.	Qty	Description
	1	56002561	3	Nut, Hex W/ Shprf
	2	56002708	5	Nut, Hex Nyl Loc 1/4-20
	3	56002808	1	Nut, Hex Nyl Loc 8-32
	4	56002840	3	Nut, Hex Nyl Loc-Thin 1/4-20
	5	56002856	1	Nut-Hex Nyl Loc Ss 5/16-18
	6	56002875	1	Wsh-Flt Sae Ss #8
	7	56002938	1	Wsh-Flt Sae Ss 5/16
	8	56002957	1	Scr-Pan Phil Ss 1/4-20 X .75
	9	56002997	2	Scr-Pan Phil 1/4-20 X 1.75
	10	56003007	1	Scr-Hex 8-32 X .50
	11	56003119	2	Scr-Pan Phil Ss 1/4-20 X .50
	12	56003925	1	Scr-Hex Loc Ss 5/16-18 X .75
	13	56009012	2	Scr, Hex Thd Form 10-24 X .38
	14	56009019	2	Scr, Hex Thd Form 1/4-20 X .38
	15	56009030	1	Scr, Pan Phil Thd Form 10-24 X .38
K4	16		2	Rivet, Push Nylon Black
	17	56009225	1	Wsh-Fender .281x1.50x.074
	18	56046309	2	Spacer, Phenolic
	19	56111972	1	Clip-Connector
	20	56115432	1	Fuse-150 Amp
	21	56115433	1	Holder-Fuse
	22	56115434	1	Boot-Fuse Holder
	23#	56115456	5	Ferrite Bead
	24	56116611	13	Cable Tie Mount
	25		1	Circuit Breaker Assembly
	25a	56107611	1	Trim-Edge
	25b	56123047	1	Bracket-Circuit Breaker
	25c	56123230	1	Trim-Edge
	25d	56315255	2	Circuit Breaker, 5 Amp
	25e	56315256	2	Circuit Breaker, 30 Amp
	25f	56413822	1	Circuit Breaker, 20 Amp
	25g	56454429	1	Circuit Breaker, 70 Amp
	25h	56459369	1	Boot, Reset Button
	26	56123065	1	Decal-Bypass
	27	56123102	1	Main Harness
	[]	56123266	3	Diode-Terminating-Dt Series
	28	56123122	1	User Interface Assembly VIB, NOTE 8
	29	56123130	1	Harness-Recovery
	30	56123131	1	Harness-Column
	31	56123132	1	Cable Asm-Machine
	32	56123133	1	Cable Asm-Battery
	33	56123134	1	Harness-Traction
	34	56123135	1	Wire Asm.
	35	56123138	1	Reisitor Assembly-1.5k
K1	36		1	Switch-Key-W/Key S4, NOTE 1
	[]	56123246	1	Key-Replacement Set
	37	56123149	1	Wire Asm

Kit	Item	Ref. No.	Qty	Description
	38	56123150	1	Wire Asm.
	39	56123166	1	Plate-Switch Mounting
K3	40		1	Machine Controller Assembly
	[]	56123045	1	Plate-Controller Mounting
	[]	56004169	2	Scr M4x30 Iso7380-2 Flg Blk
K5	41#		1	Controller-Machine-Cyl
	42	56123271	1	Horn-Backup Alarm-5 To 28vdc H2, NOTE 2
	43	56123286	1	Beacon Assembly LP1, NOTE 4
	44	56157376	2	Grommet
	45	56305317	2	Clamp, P
	46	56315255	1	Circuit Breaker, 5 Amp CB1
	47	56321540	1	Grommet
	48	56372673	7	Boot-Battery Post
	49	56381824	1	Switch Rocker Dpdt On-On S8 NOTE 7
	50	56383973	20	Cable Tie-Black-Black-8-Inch
K4	51		1	Gasket
K4	52		1	Hourmeter HM, NOTE 3
	53	56394557	1	Clamp, P
	54	56397088	1	Contact, 24v Spdt K1 NOTE 5
K2	55		2	Disconnect, Emergency S6 NOTE 6
	56	56409485	3	Cable, Battery
	57	56413407	1	Circuit Breaker, 15 Amp
	58	56419120	3	Clamp, Hose Support
	59	56459369	1	Boot, Reset Button
	60	56469380	1	Clamp-P
	61	56469858	2	Electrical Mount
	62	56477613	12	Tie, Cable
	63	56478246	9	Tie, Cable
	64	56507644	1	Circuit Breaker, 10 Amp CB2
	65	56507903	2	Trim-Edge-.18x3.00
	66	56601213	1	Battery Box
	67	56601215	1	Prop Rod, Seat
	68	56601686	3	Ferrite Bead
	69	56900144	1	Plug, Cap
	70	83302a	2	Stud 1/4-20
	71	56601687	2	Ferrite Bead
	72#	56123173	2	Clip-Connector

Service Kits

K1	56123249	1	Key Switch Kit
K2	56123247	1	Emergency Disconnect S6
K3#	56123248	1	Disc Machine Controller Kit
K4	56302198	1	Hour Meter Kit
K5#	56123343	1	Cyl Machine Controller Kit

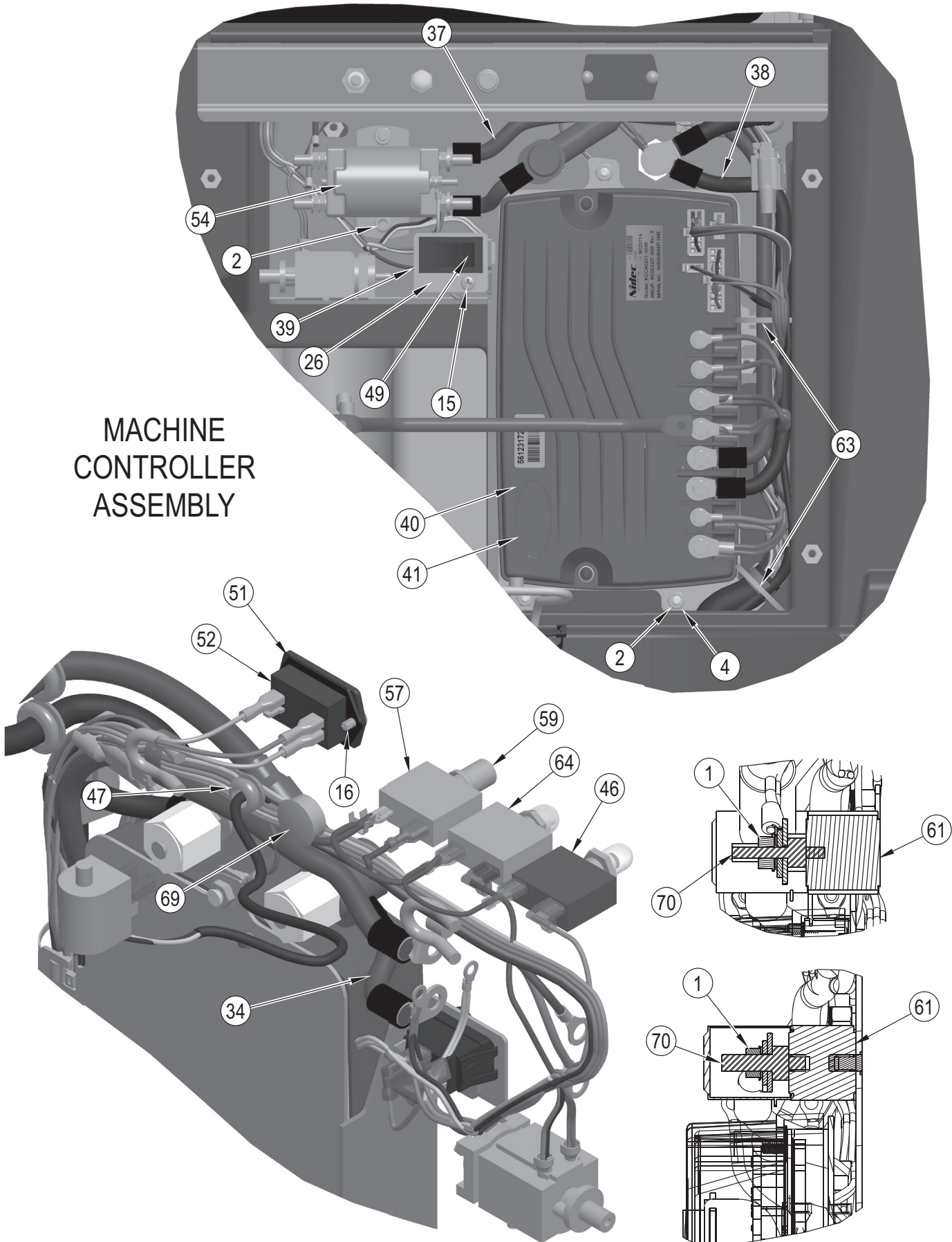
[] = Not Shown

= Revised or new since last update

- NOTE 1:** Item 36 Is also referred to as **SWITCH KEY**
- NOTE 2:** Item 42 Is also referred to as **HORN**
- NOTE 3:** Item 52 Is also referred to as **HOURLY METER**
- NOTE 4:** Item 43 Is also referred to as **LAMP, FLASHING**
- NOTE 5:** Item 54 Is also referred to as **MAIN CONTACTOR**
- NOTE 6:** Item 55 Is also referred to as **SW E-STOP REAR, OR SW E-STOP FRONT**
- NOTE 7:** Item 49 Is also referred to as **SW AUTONOMY BYPASS**
- NOTE 8:** Item 28 Is also referred to as **SCRUB INTERFACE BOARD (VIB)**

ELECTRICAL SYSTEM-2

MACHINE
CONTROLLER
ASSEMBLY



ELECTRICAL SYSTEM-2

Kit	Item	Ref. No.	Qty	Description
	1	56002561	3	Nut, Hex W/ Shprf
	2	56002708	5	Nut, Hex Nyl Loc 1/4-20
	3	56002808	1	Nut, Hex Nyl Loc 8-32
	4	56002840	3	Nut, Hex Nyl Loc-Thin 1/4-20
	5	56002856	1	Nut-Hex Nyl Loc Ss 5/16-18
	6	56002875	1	Wsh-Flt Sae Ss #8
	7	56002938	1	Wsh-Flt Sae Ss 5/16
	8	56002957	1	Scr-Pan Phil Ss 1/4-20 X .75
	9	56002997	2	Scr-Pan Phil 1/4-20 X 1.75
	10	56003007	1	Scr-Hex 8-32 X .50
	11	56003119	2	Scr-Pan Phil Ss 1/4-20 X .50
	12	56003925	1	Scr-Hex Loc Ss 5/16-18 X .75
	13	56009012	2	Scr, Hex Thd Form 10-24 X .38
	14	56009019	2	Scr, Hex Thd Form 1/4-20 X .38
	15	56009030	1	Scr, Pan Phil Thd Form 10-24 X .38
K4	16		2	Rivet, Push Nylon Black
	17	56009225	1	Wsh-Fender .281x1.50x.074
	18	56046309	2	Spacer, Phenolic
	19	56111972	1	Clip-Connector
	20	56115432	1	Fuse-150 Amp
	21	56115433	1	Holder-Fuse
	22	56115434	1	Boot-Fuse Holder
	23#	56115456	5	Ferrite Bead
	24	56116611	13	Cable Tie Mount
	25		1	Circuit Breaker Assembly
	25a	56107611	1	Trim-Edge
	25b	56123047	1	Bracket-Circuit Breaker
	25c	56123230	1	Trim-Edge
	25d	56315255	2	Circuit Breaker, 5 Amp
	25e	56315256	2	Circuit Breaker, 30 Amp
	25f	56413822	1	Circuit Breaker, 20 Amp
	25g	56454429	1	Circuit Breaker, 70 Amp
	25h	56459369	1	Boot, Reset Button
	26	56123065	1	Decal-Bypass
	27	56123102	1	Main Harness
	[]	56123266	3	Diode-Terminating-Dt Series
	28	56123122	1	User Interface Assembly VIB, NOTE 8
	29	56123130	1	Harness-Recovery
	30	56123131	1	Harness-Column
	31	56123132	1	Cable Asm-Machine
	32	56123133	1	Cable Asm-Battery
	33	56123134	1	Harness-Traction
	34	56123135	1	Wire Asm.
	35	56123138	1	Reisitor Assembly-1.5k
K1	36		1	Switch-Key-W/Key S4 NOTE 1
	[]	56123246	1	Key-Replacement Set
	37	56123149	1	Wire Asm

Kit	Item	Ref. No.	Qty	Description
	38	56123150	1	Wire Asm.
	39	56123166	1	Plate-Switch Mounting
K3	40		1	Machine Controller Assembly
	[]	56123045	1	Plate-Controller Mounting
	[]	56004169	2	Scr M4x30 Iso7380-2 Flg Blk
K5	41#		1	Controller-Machine-Cyl
	42	56123271	1	Horn-Backup Alarm-5 To 28vdc H2 NOTE 2
	43	56123286	1	Beacon Assembly LP1, NOTE 4
	44	56157376	2	Grommet
	45	56305317	2	Clamp, P
	46	56315255	1	Circuit Breaker, 5 Amp CB1
	47	56321540	1	Grommet
	48	56372673	7	Boot-Battery Post
	49	56381824	1	Switch Rocker Dpdt On-On S8 NOTE 7
	50	56383973	20	Cable Tie-Black-Black-8-Inch
K4	51		1	Gasket
K4	52		1	Hourmeter HM, NOTE 3
	53	56394557	1	Clamp, P
	54	56397088	1	Contact, 24v Spdt K1 NOTE 5
K2	55		2	Disconnect, Emergency S6 NOTE 6
	56	56409485	3	Cable.Battery
	57	56413407	1	Circuit Breaker, 15 Amp
	58	56419120	3	Clamp, Hose Support
	59	56459369	1	Boot, Reset Button
	60	56469380	1	Clamp-P
	61	56469858	2	Electrical Mount
	62	56477613	12	Tie, Cable
	63	56478246	9	Tie, Cable
	64	56507644	1	Circuit Breaker, 10 Amp CB2
	65	56507903	2	Trim-Edge-.18x3.00
	66	56601213	1	Battery Box
	67	56601215	1	Prop Rod, Seat
	68	56601686	3	Ferrite Bead
	69	56900144	1	Plug, Cap
	70	83302a	2	Stud 1/4-20
	71	56601687	2	Ferrite Bead
	72#	56123173	2	Clip-Connector

Service Kits

K1	56123249	1	Key Switch Kit
K2	56123247	1	Emergency Disconnect S6
K3#	56123248	1	Disc Machine Controller Kit
K4	56302198	1	Hour Meter Kit
K5#	56123343	1	Cyl Machine Controller Kit

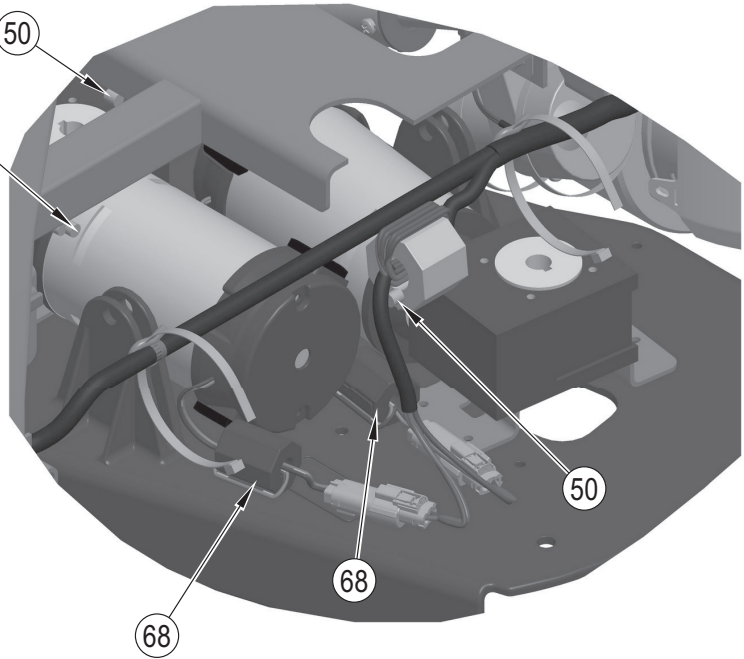
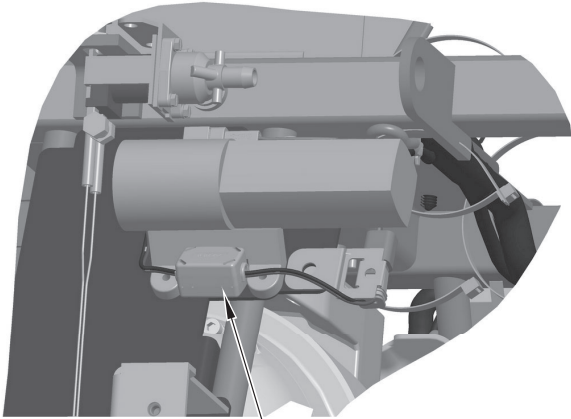
[] = Not Shown

= Revised or new since last update

- NOTE 1:** Item 36 Is also referred to as **SWITCH KEY**
- NOTE 2:** Item 42 Is also referred to as **HORN**
- NOTE 3:** Item 52 Is also referred to as **HOURL METER**
- NOTE 4:** Item 43 Is also referred to as **LAMP, FLASHING**
- NOTE 5:** Item 54 Is also referred to as **MAIN CONTACTOR**
- NOTE 6:** Item 55 Is also referred to as **SW E-STOP REAR, OR SW E-STOP FRONT**
- NOTE 7:** Item 49 Is also referred to as **SW AUTONOMY BYPASS**
- NOTE 8:** Item 28 Is also referred to as **SCRUB INTERFACE BOARD (VIB)**

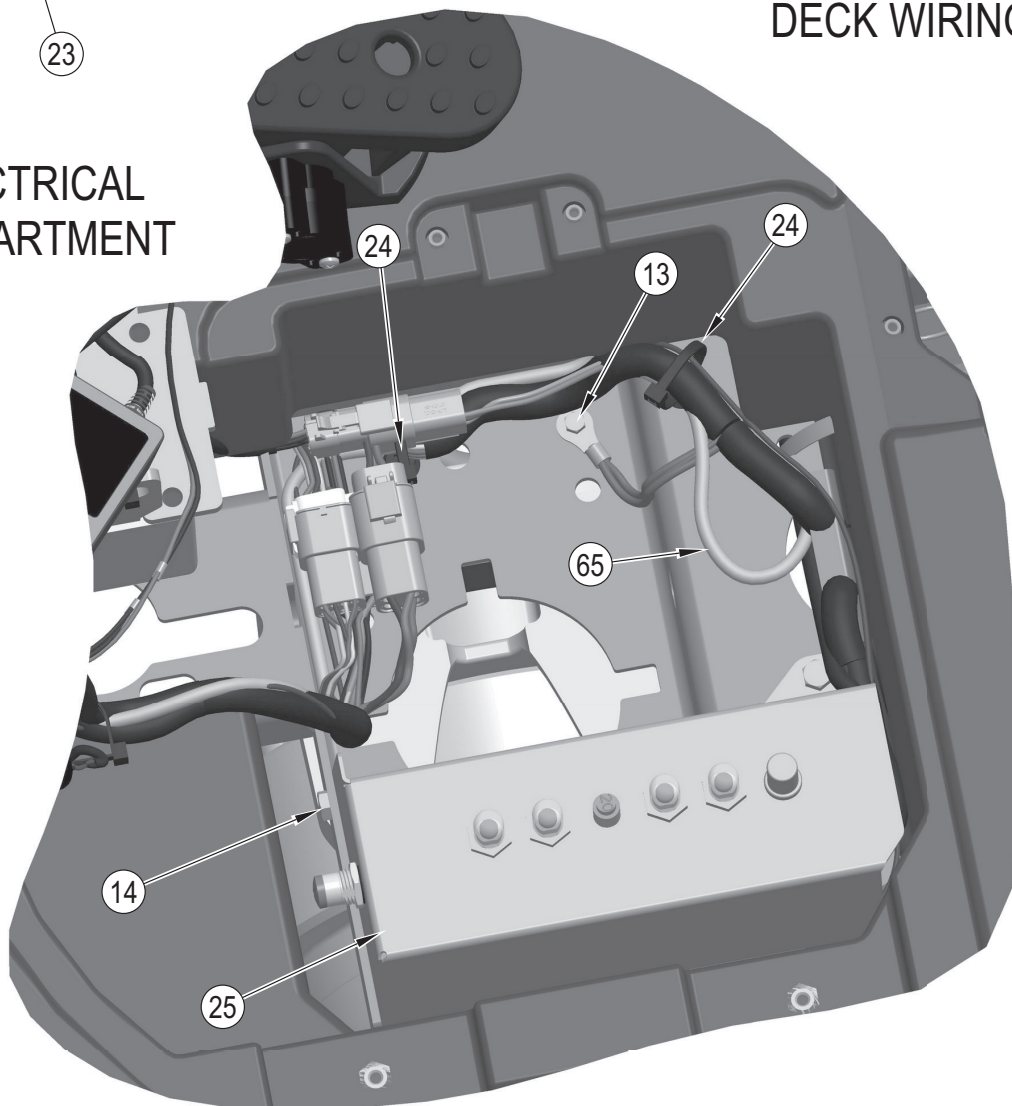
ELECTRICAL SYSTEM-3

PUMP/VALVE



DECK WIRING

ELECTRICAL COMPARTMENT



ELECTRICAL SYSTEM-3

Kit	Item	Ref. No.	Qty	Description
	1	56002561	3	Nut, Hex W/ Shprf
	2	56002708	5	Nut, Hex Nyl Loc 1/4-20
	3	56002808	1	Nut, Hex Nyl Loc 8-32
	4	56002840	3	Nut, Hex Nyl Loc-Thin 1/4-20
	5	56002856	1	Nut-Hex Nyl Loc Ss 5/16-18
	6	56002875	1	Wsh-Flt Sae Ss #8
	7	56002938	1	Wsh-Flt Sae Ss 5/16
	8	56002957	1	Scr-Pan Phil Ss 1/4-20 X .75
	9	56002997	2	Scr-Pan Phil 1/4-20 X 1.75
	10	56003007	1	Scr-Hex 8-32 X .50
	11	56003119	2	Scr-Pan Phil Ss 1/4-20 X .50
	12	56003925	1	Scr-Hex Loc Ss 5/16-18 X .75
	13	56009012	2	Scr, Hex Thd Form 10-24 X .38
	14	56009019	2	Scr, Hex Thd Form 1/4-20 X .38
	15	56009030	1	Scr, Pan Phil Thd Form 10-24 X .38
K4	16		2	Rivet, Push Nylon Black
	17	56009225	1	Wsh-Fender .281x1.50x.074
	18	56046309	2	Spacer, Phenolic
	19	56111972	1	Clip-Connector
	20	56115432	1	Fuse-150 Amp
	21	56115433	1	Holder-Fuse
	22	56115434	1	Boot-Fuse Holder
	23#	56115456	5	Ferrite Bead
	24	56116611	13	Cable Tie Mount
	25		1	Circuit Breaker Assembly
	25a	56107611	1	Trim-Edge
	25b	56123047	1	Bracket-Circuit Breaker
	25c	56123230	1	Trim-Edge
	25d	56315255	2	Circuit Breaker, 5 Amp
	25e	56315256	2	Circuit Breaker, 30 Amp
	25f	56413822	1	Circuit Breaker, 20 Amp
	25g	56454429	1	Circuit Breaker, 70 Amp
	25h	56459369	1	Boot, Reset Button
	26	56123065	1	Decal-Bypass
	27	56123102	1	Main Harness
	[]	56123266	3	Diode-Terminating-Dt Series
	28	56123122	1	User Interface Assembly VIB, NOTE 8
	29	56123130	1	Harness-Recovery
	30	56123131	1	Harness-Column
	31	56123132	1	Cable Asm-Machine
	32	56123133	1	Cable Asm-Battery
	33	56123134	1	Harness-Traction
	34	56123135	1	Wire Asm.
	35	56123138	1	Reisitor Assembly-1.5k
K1	36		1	Switch-Key-W/Key S4 NOTE 1
	[]	56123246	1	Key-Replacement Set
	37	56123149	1	Wire Asm

Kit	Item	Ref. No.	Qty	Description
	38	56123150	1	Wire Asm.
	39	56123166	1	Plate-Switch Mounting
K3	40		1	Machine Controller Assembly
	[]	56123045	1	Plate-Controller Mounting
	[]	56004169	2	Scr M4x30 Iso7380-2 Flg Blk
K5	41#		1	Controller-Machine-Cyl
	42	56123271	1	Horn-Backup Alarm-5 To 28vdc H2 NOTE 2
	43	56123286	1	Beacon Assembly LP1, NOTE 4
	44	56157376	2	Grommet
	45	56305317	2	Clamp, P
	46	56315255	1	Circuit Breaker, 5 Amp CB1
	47	56321540	1	Grommet
	48	56372673	7	Boot-Battery Post
	49	56381824	1	Switch Rocker Dpdt On-On S8 NOTE 7
	50	56383973	20	Cable Tie-Black-Black-8-Inch
K4	51		1	Gasket
K4	52		1	Hourmeter HM, NOTE 3
	53	56394557	1	Clamp, P
	54	56397088	1	Contact, 24v Spdt K1 NOTE 5
K2	55		2	Disconnect, Emergency S6 NOTE 6
	56	56409485	3	Cable, Battery
	57	56413407	1	Circuit Breaker, 15 Amp
	58	56419120	3	Clamp, Hose Support
	59	56459369	1	Boot, Reset Button
	60	56469380	1	Clamp-P
	61	56469858	2	Electrical Mount
	62	56477613	12	Tie, Cable
	63	56478246	9	Tie, Cable
	64	56507644	1	Circuit Breaker, 10 Amp CB2
	65	56507903	2	Trim-Edge-.18x3.00
	66	56601213	1	Battery Box
	67	56601215	1	Prop Rod, Seat
	68	56601686	3	Ferrite Bead
	69	56900144	1	Plug, Cap
	70	83302a	2	Stud 1/4-20
	71	56601687	2	Ferrite Bead
	72#	56123173	2	Clip-Connector

Service Kits

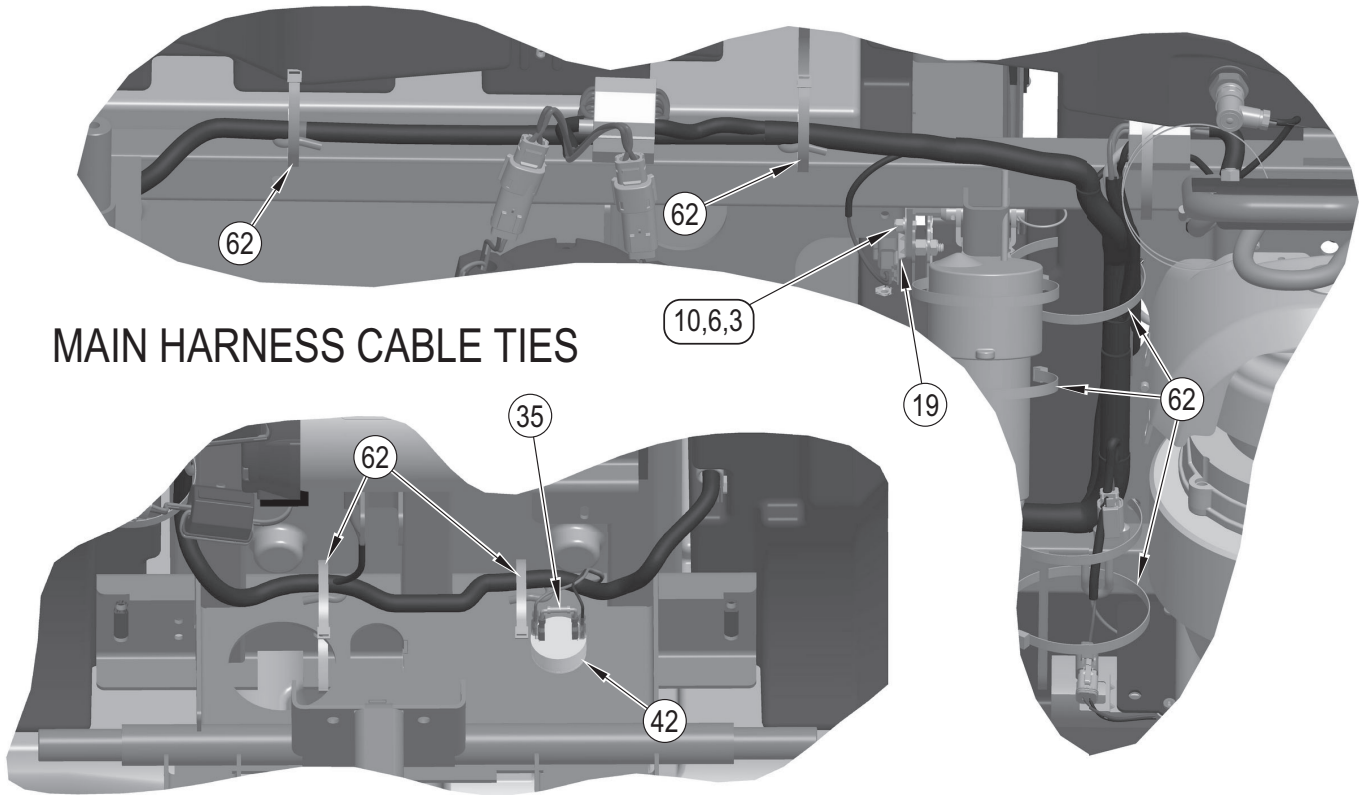
K1	56123249	1	Key Switch Kit
K2	56123247	1	Emergency Disconnect S6
K3#	56123248	1	Disc Machine Controller Kit
K4	56302198	1	Hour Meter Kit
K5#	56123343	1	Cyl Machine Controller Kit

[] = Not Shown

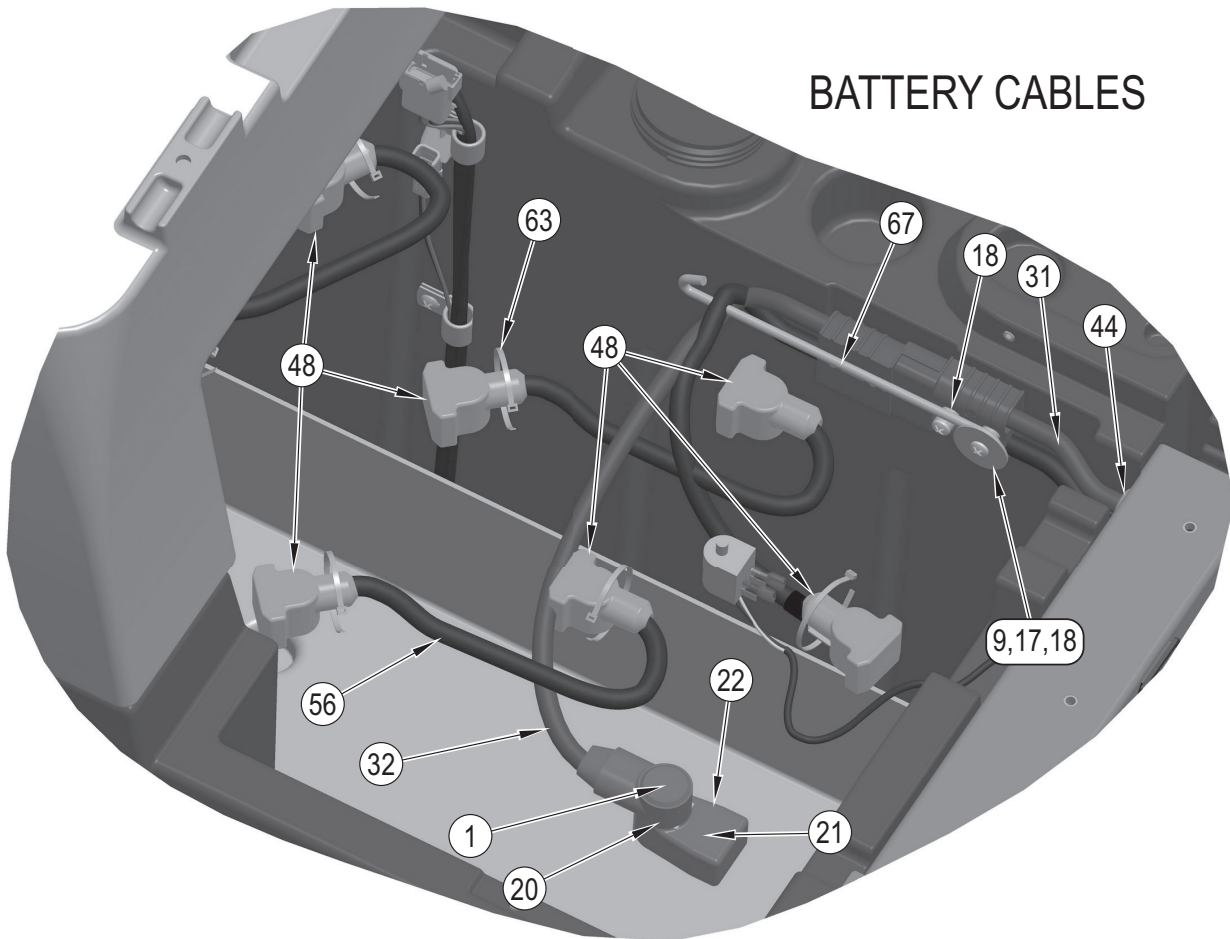
= Revised or new since last update

- NOTE 1:** Item 36 Is also referred to as **SWITCH KEY**
- NOTE 2:** Item 42 Is also referred to as **HORN**
- NOTE 3:** Item 52 Is also referred to as **HOUR METER**
- NOTE 4:** Item 43 Is also referred to as **LAMP, FLASHING**
- NOTE 5:** Item 54 Is also referred to as **MAIN CONTACTOR**
- NOTE 6:** Item 55 Is also referred to as **SW E-STOP REAR, OR SW E-STOP FRONT**
- NOTE 7:** Item 49 Is also referred to as **SW AUTONOMY BYPASS**
- NOTE 8:** Item 28 Is also referred to as **SCRUB INTERFACE BOARD (VIB)**

ELECTRICAL SYSTEM-4



BATTERY CABLES



ELECTRICAL SYSTEM-4

Kit	Item	Ref. No.	Qty	Description
	1	56002561	3	Nut, Hex W/ Shprf
	2	56002708	5	Nut, Hex Nyl Loc 1/4-20
	3	56002808	1	Nut, Hex Nyl Loc 8-32
	4	56002840	3	Nut, Hex Nyl Loc-Thin 1/4-20
	5	56002856	1	Nut-Hex Nyl Loc Ss 5/16-18
	6	56002875	1	Wsh-Flt Sae Ss #8
	7	56002938	1	Wsh-Flt Sae Ss 5/16
	8	56002957	1	Scr-Pan Phil Ss 1/4-20 X .75
	9	56002997	2	Scr-Pan Phil 1/4-20 X 1.75
	10	56003007	1	Scr-Hex 8-32 X .50
	11	56003119	2	Scr-Pan Phil Ss 1/4-20 X .50
	12	56003925	1	Scr-Hex Loc Ss 5/16-18 X .75
	13	56009012	2	Scr, Hex Thd Form 10-24 X .38
	14	56009019	2	Scr, Hex Thd Form 1/4-20 X .38
	15	56009030	1	Scr, Pan Phil Thd Form 10-24 X .38
K4	16		2	Rivet, Push Nylon Black
	17	56009225	1	Wsh-Fender .281x1.50x.074
	18	56046309	2	Spacer, Phenolic
	19	56111972	1	Clip-Connector
	20	56115432	1	Fuse-150 Amp
	21	56115433	1	Holder-Fuse
	22	56115434	1	Boot-Fuse Holder
	23#	56115456	5	Ferrite Bead
	24	56116611	13	Cable Tie Mount
	25		1	Circuit Breaker Assembly
	25a	56107611	1	Trim-Edge
	25b	56123047	1	Bracket-Circuit Breaker
	25c	56123230	1	Trim-Edge
	25d	56315255	2	Circuit Breaker, 5 Amp
	25e	56315256	2	Circuit Breaker, 30 Amp
	25f	56413822	1	Circuit Breaker, 20 Amp
	25g	56454429	1	Circuit Breaker, 70 Amp
	25h	56459369	1	Boot, Reset Button
	26	56123065	1	Decal-Bypass
	27	56123102	1	Main Harness
	[]	56123266	3	Diode-Terminating-Dt Series
	28	56123122	1	User Interface Assembly VIB, NOTE 8
	29	56123130	1	Harness-Recovery
	30	56123131	1	Harness-Column
	31	56123132	1	Cable Asm-Machine
	32	56123133	1	Cable Asm-Battery
	33	56123134	1	Harness-Traction
	34	56123135	1	Wire Asm.
	35	56123138	1	Reisitor Assembly-1.5k
K1	36		1	Switch-Key-W/Key S4 NOTE 1
	[]	56123246	1	Key-Replacement Set
	37	56123149	1	Wire Asm

Kit	Item	Ref. No.	Qty	Description
	38	56123150	1	Wire Asm.
	39	56123166	1	Plate-Switch Mounting
K3	40		1	Machine Controller Assembly
	[]	56123045	1	Plate-Controller Mounting
	[]	56004169	2	Scr M4x30 Iso7380-2 Flg Blk
K5	41#		1	Controller-Machine-Cyl
	42	56123271	1	Horn-Backup Alarm-5 To 28vdc H2 NOTE 2
	43	56123286	1	Beacon Assembly LP1, NOTE 4
	44	56157376	2	Grommet
	45	56305317	2	Clamp, P
	46	56315255	1	Circuit Breaker, 5 Amp CB1
	47	56321540	1	Grommet
	48	56372673	7	Boot-Battery Post
	49	56381824	1	Switch Rocker Dpdt On-On S8 NOTE 7
	50	56383973	20	Cable Tie-Black-Black-8-Inch
K4	51		1	Gasket
K4	52		1	Hourmeter HM, NOTE 3
	53	56394557	1	Clamp, P
	54	56397088	1	Contact, 24v Spdt K1 NOTE 5
K2	55		2	Disconnect, Emergency S6 NOTE 6
	56	56409485	3	Cable, Battery
	57	56413407	1	Circuit Breaker, 15 Amp
	58	56419120	3	Clamp, Hose Support
	59	56459369	1	Boot, Reset Button
	60	56469380	1	Clamp-P
	61	56469858	2	Electrical Mount
	62	56477613	12	Tie, Cable
	63	56478246	9	Tie, Cable
	64	56507644	1	Circuit Breaker, 10 Amp CB2
	65	56507903	2	Trim-Edge-.18x3.00
	66	56601213	1	Battery Box
	67	56601215	1	Prop Rod, Seat
	68	56601686	3	Ferrite Bead
	69	56900144	1	Plug, Cap
	70	83302a	2	Stud 1/4-20
	71	56601687	2	Ferrite Bead
	72#	56123173	2	Clip-Connector

Service Kits

K1	56123249	1	Key Switch Kit
K2	56123247	1	Emergency Disconnect S6
K3#	56123248	1	Disc Machine Controller Kit
K4	56302198	1	Hour Meter Kit
K5#	56123343	1	Cyl Machine Controller Kit

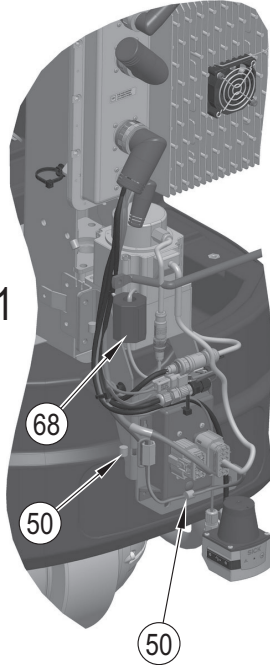
[] = Not Shown

= Revised or new since last update

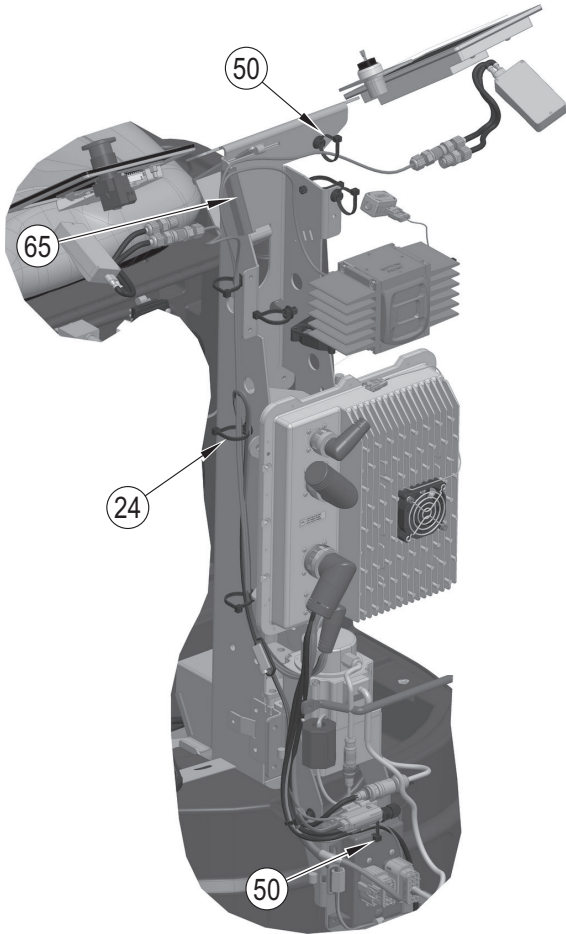
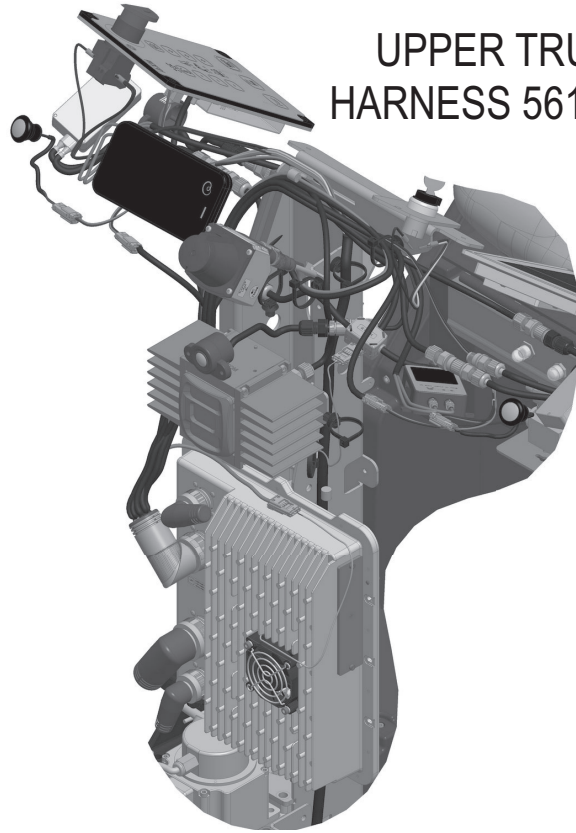
- NOTE 1:** Item 36 Is also referred to as **SWITCH KEY**
- NOTE 2:** Item 42 Is also referred to as **HORN**
- NOTE 3:** Item 52 Is also referred to as **HOURL METER**
- NOTE 4:** Item 43 Is also referred to as **LAMP, FLASHING**
- NOTE 5:** Item 54 Is also referred to as **MAIN CONTACTOR**
- NOTE 6:** Item 55 Is also referred to as **SW E-STOP REAR, OR SW E-STOP FRONT**
- NOTE 7:** Item 49 Is also referred to as **SW AUTONOMY BYPASS**
- NOTE 8:** Item 28 Is also referred to as **SCRUB INTERFACE BOARD (VIB)**

ELECTRICAL SYSTEM-5

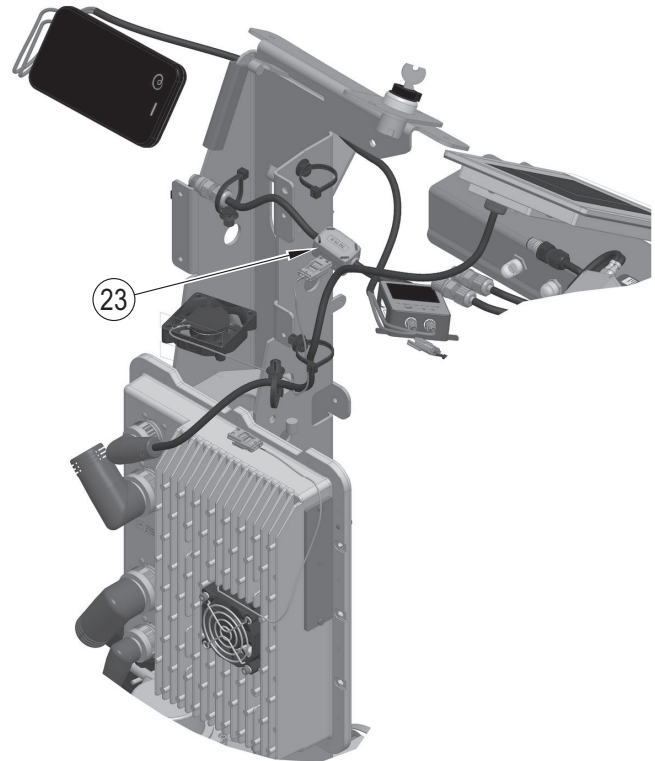
UPPER TRUNK
HARNESS 56123091



UPPER TRUNK
HARNESS 56123091



POWER TRUNK HARNESS
56123234



DISPLAY TRUNK HARNESS
AND CELLULAR ANTENNA

ELECTRICAL SYSTEM-5

Kit	Item	Ref. No.	Qty	Description
	1	56002561	3	Nut, Hex W/ Shprf
	2	56002708	5	Nut, Hex Nyl Loc 1/4-20
	3	56002808	1	Nut, Hex Nyl Loc 8-32
	4	56002840	3	Nut, Hex Nyl Loc-Thin 1/4-20
	5	56002856	1	Nut-Hex Nyl Loc Ss 5/16-18
	6	56002875	1	Wsh-Flt Sae Ss #8
	7	56002938	1	Wsh-Flt Sae Ss 5/16
	8	56002957	1	Scr-Pan Phil Ss 1/4-20 X .75
	9	56002997	2	Scr-Pan Phil 1/4-20 X 1.75
	10	56003007	1	Scr-Hex 8-32 X .50
	11	56003119	2	Scr-Pan Phil Ss 1/4-20 X .50
	12	56003925	1	Scr-Hex Loc Ss 5/16-18 X .75
	13	56009012	2	Scr, Hex Thd Form 10-24 X .38
	14	56009019	2	Scr, Hex Thd Form 1/4-20 X .38
	15	56009030	1	Scr, Pan Phil Thd Form 10-24 X .38
K4	16		2	Rivet, Push Nylon Black
	17	56009225	1	Wsh-Fender .281x1.50x.074
	18	56046309	2	Spacer, Phenolic
	19	56111972	1	Clip-Connector
	20	56115432	1	Fuse-150 Amp
	21	56115433	1	Holder-Fuse
	22	56115434	1	Boot-Fuse Holder
	23#	56115456	5	Ferrite Bead
	24	56116611	13	Cable Tie Mount
	25		1	Circuit Breaker Assembly
	25a	56107611	1	Trim-Edge
	25b	56123047	1	Bracket-Circuit Breaker
	25c	56123230	1	Trim-Edge
	25d	56315255	2	Circuit Breaker, 5 Amp
	25e	56315256	2	Circuit Breaker, 30 Amp
	25f	56413822	1	Circuit Breaker, 20 Amp
	25g	56454429	1	Circuit Breaker, 70 Amp
	25h	56459369	1	Boot, Reset Button
	26	56123065	1	Decal-Bypass
	27	56123102	1	Main Harness
	[]	56123266	3	Diode-Terminating-Dt Series
	28	56123122	1	User Interface Assembly VIB, NOTE 8
	29	56123130	1	Harness-Recovery
	30	56123131	1	Harness-Column
	31	56123132	1	Cable Asm-Machine
	32	56123133	1	Cable Asm-Battery
	33	56123134	1	Harness-Traction
	34	56123135	1	Wire Asm.
	35	56123138	1	Reisitor Assembly-1.5k
K1	36		1	Switch-Key-W/Key S4 NOTE 1
	[]	56123246	1	Key-Replacement Set
	37	56123149	1	Wire Asm

Kit	Item	Ref. No.	Qty	Description
	38	56123150	1	Wire Asm.
	39	56123166	1	Plate-Switch Mounting
K3	40		1	Machine Controller Assembly
	[]	56123045	1	Plate-Controller Mounting
	[]	56004169	2	Scr M4x30 Iso7380-2 Flg Blk
K5	41#		1	Controller-Machine-Cyl
	42	56123271	1	Horn-Backup Alarm-5 To 28vdc H2 NOTE 2
	43	56123286	1	Beacon Assembly LP1, NOTE 4
	44	56157376	2	Grommet
	45	56305317	2	Clamp, P
	46	56315255	1	Circuit Breaker, 5 Amp CB1
	47	56321540	1	Grommet
	48	56372673	7	Boot-Battery Post
	49	56381824	1	Switch Rocker Dpdt On-On S8 NOTE 7
	50	56383973	20	Cable Tie-Black-Black-8-Inch
K4	51		1	Gasket
K4	52		1	Hourmeter HM, NOTE 3
	53	56394557	1	Clamp, P
	54	56397088	1	Contact, 24v Spdt K1 NOTE 5
K2	55		2	Disconnect, Emergency S6 NOTE 6
	56	56409485	3	Cable, Battery
	57	56413407	1	Circuit Breaker, 15 Amp
	58	56419120	3	Clamp, Hose Support
	59	56459369	1	Boot, Reset Button
	60	56469380	1	Clamp-P
	61	56469858	2	Electrical Mount
	62	56477613	12	Tie, Cable
	63	56478246	9	Tie, Cable
	64	56507644	1	Circuit Breaker, 10 Amp CB2
	65	56507903	2	Trim-Edge-.18x3.00
	66	56601213	1	Battery Box
	67	56601215	1	Prop Rod, Seat
	68	56601686	3	Ferrite Bead
	69	56900144	1	Plug, Cap
	70	83302a	2	Stud 1/4-20
	71	56601687	2	Ferrite Bead
	72#	56123173	2	Clip-Connector

Service Kits

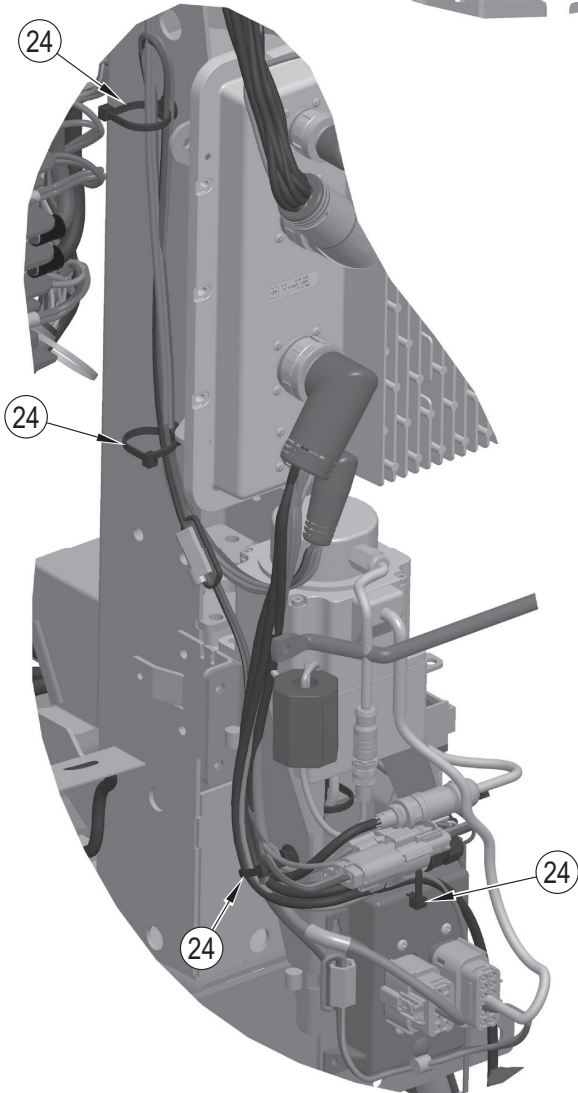
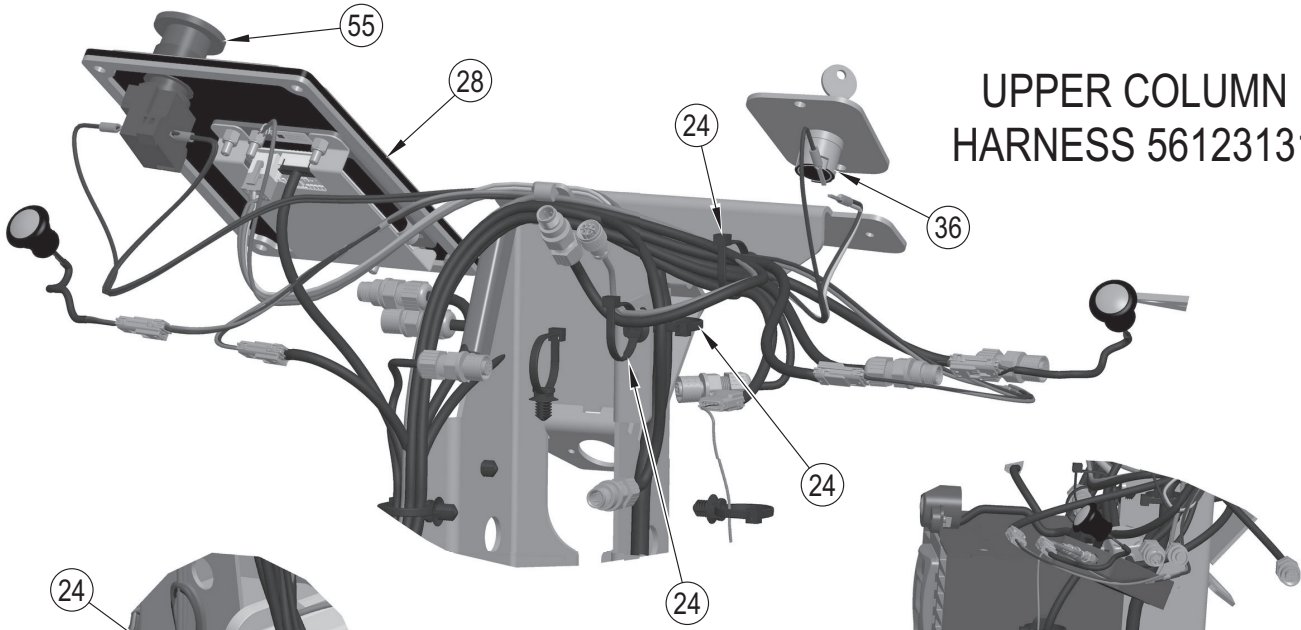
K1	56123249	1	Key Switch Kit
K2	56123247	1	Emergency Disconnect S6
K3#	56123248	1	Disc Machine Controller Kit
K4	56302198	1	Hour Meter Kit
K5#	56123343	1	Cyl Machine Controller Kit

[] = Not Shown
 # = Revised or new since last update

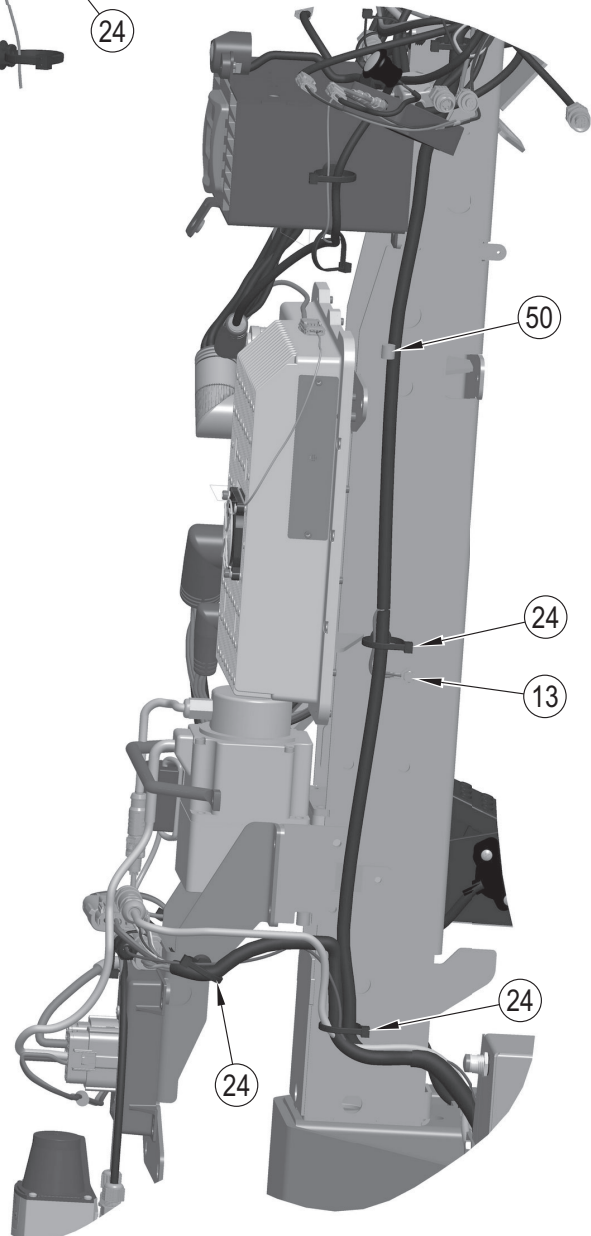
- NOTE 1:** Item 36 Is also referred to as **SWITCH KEY**
- NOTE 2:** Item 42 Is also referred to as **HORN**
- NOTE 3:** Item 52 Is also referred to as **HOURLY METER**
- NOTE 4:** Item 43 Is also referred to as **LAMP, FLASHING**
- NOTE 5:** Item 54 Is also referred to as **MAIN CONTACTOR**
- NOTE 6:** Item 55 Is also referred to as **SW E-STOP REAR, OR SW E-STOP FRONT**
- NOTE 7:** Item 49 Is also referred to as **SW AUTONOMY BYPASS**
- NOTE 8:** Item 28 Is also referred to as **SCRUB INTERFACE BOARD (VIB)**

ELECTRICAL SYSTEM-6

UPPER COLUMN
HARNESS 56123131



RIGHT SIDE COLUMN
HARNESS 56123131



RIGHT SIDE COLUMN
HARNESS 56123131

ELECTRICAL SYSTEM-6

Kit	Item	Ref. No.	Qty	Description
	1	56002561	3	Nut, Hex W/ Shprf
	2	56002708	5	Nut, Hex Nyl Loc 1/4-20
	3	56002808	1	Nut, Hex Nyl Loc 8-32
	4	56002840	3	Nut, Hex Nyl Loc-Thin 1/4-20
	5	56002856	1	Nut-Hex Nyl Loc Ss 5/16-18
	6	56002875	1	Wsh-Flt Sae Ss #8
	7	56002938	1	Wsh-Flt Sae Ss 5/16
	8	56002957	1	Scr-Pan Phil Ss 1/4-20 X .75
	9	56002997	2	Scr-Pan Phil 1/4-20 X 1.75
	10	56003007	1	Scr-Hex 8-32 X .50
	11	56003119	2	Scr-Pan Phil Ss 1/4-20 X .50
	12	56003925	1	Scr-Hex Loc Ss 5/16-18 X .75
	13	56009012	2	Scr, Hex Thd Form 10-24 X .38
	14	56009019	2	Scr, Hex Thd Form 1/4-20 X .38
	15	56009030	1	Scr, Pan Phil Thd Form 10-24 X .38
K4	16		2	Rivet, Push Nylon Black
	17	56009225	1	Wsh-Fender .281x1.50x.074
	18	56046309	2	Spacer, Phenolic
	19	56111972	1	Clip-Connector
	20	56115432	1	Fuse-150 Amp
	21	56115433	1	Holder-Fuse
	22	56115434	1	Boot-Fuse Holder
	23#	56115456	5	Ferrite Bead
	24	56116611	13	Cable Tie Mount
	25		1	Circuit Breaker Assembly
	25a	56107611	1	Trim-Edge
	25b	56123047	1	Bracket-Circuit Breaker
	25c	56123230	1	Trim-Edge
	25d	56315255	2	Circuit Breaker, 5 Amp
	25e	56315256	2	Circuit Breaker, 30 Amp
	25f	56413822	1	Circuit Breaker, 20 Amp
	25g	56454429	1	Circuit Breaker, 70 Amp
	25h	56459369	1	Boot, Reset Button
	26	56123065	1	Decal-Bypass
	27	56123102	1	Main Harness
	[]	56123266	3	Diode-Terminating-Dt Series
	28	56123122	1	User Interface Assembly VIB, NOTE 8
	29	56123130	1	Harness-Recovery
	30	56123131	1	Harness-Column
	31	56123132	1	Cable Asm-Machine
	32	56123133	1	Cable Asm-Battery
	33	56123134	1	Harness-Traction
	34	56123135	1	Wire Asm.
	35	56123138	1	Reisitor Assembly-1.5k
K1	36		1	Switch-Key-W/Key S4 NOTE 1
	[]	56123246	1	Key-Replacement Set
	37	56123149	1	Wire Asm

Kit	Item	Ref. No.	Qty	Description
	38	56123150	1	Wire Asm.
	39	56123166	1	Plate-Switch Mounting
K3	40		1	Machine Controller Assembly
	[]	56123045	1	Plate-Controller Mounting
	[]	56004169	2	Scr M4x30 Iso7380-2 Flg Blk
K5	41#		1	Controller-Machine-Cyl
	42	56123271	1	Horn-Backup Alarm-5 To 28vdc H2 NOTE 2
	43	56123286	1	Beacon Assembly LP1, NOTE 4
	44	56157376	2	Grommet
	45	56305317	2	Clamp, P
	46	56315255	1	Circuit Breaker, 5 Amp CB1
	47	56321540	1	Grommet
	48	56372673	7	Boot-Battery Post
	49	56381824	1	Switch Rocker Dpdt On-On S8 NOTE 7
	50	56383973	20	Cable Tie-Black-Black-8-Inch
K4	51		1	Gasket
K4	52		1	Hourmeter HM, NOTE 3
	53	56394557	1	Clamp, P
	54	56397088	1	Contact, 24v Spdt K1 NOTE 5
K2	55		2	Disconnect, Emergency S6 NOTE 6
	56	56409485	3	Cable, Battery
	57	56413407	1	Circuit Breaker, 15 Amp
	58	56419120	3	Clamp, Hose Support
	59	56459369	1	Boot, Reset Button
	60	56469380	1	Clamp-P
	61	56469858	2	Electrical Mount
	62	56477613	12	Tie, Cable
	63	56478246	9	Tie, Cable
	64	56507644	1	Circuit Breaker, 10 Amp CB2
	65	56507903	2	Trim-Edge-.18x3.00
	66	56601213	1	Battery Box
	67	56601215	1	Prop Rod, Seat
	68	56601686	3	Ferrite Bead
	69	56900144	1	Plug, Cap
	70	83302a	2	Stud 1/4-20
	71	56601687	2	Ferrite Bead
	72#	56123173	2	Clip-Connector

Service Kits

K1	56123249	1	Key Switch Kit
K2	56123247	1	Emergency Disconnect S6
K3#	56123248	1	Disc Machine Controller Kit
K4	56302198	1	Hour Meter Kit
K5#	56123343	1	Cyl Machine Controller Kit

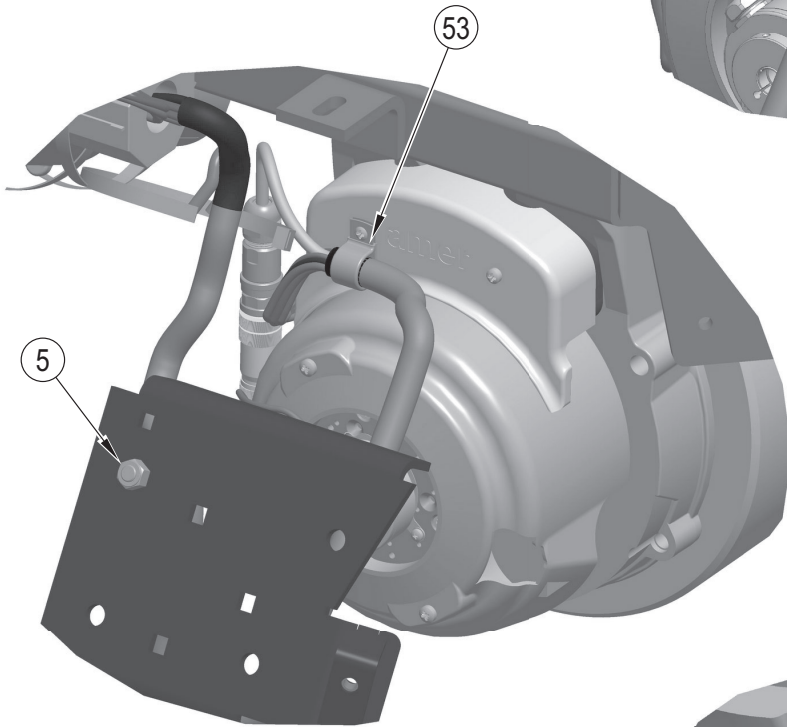
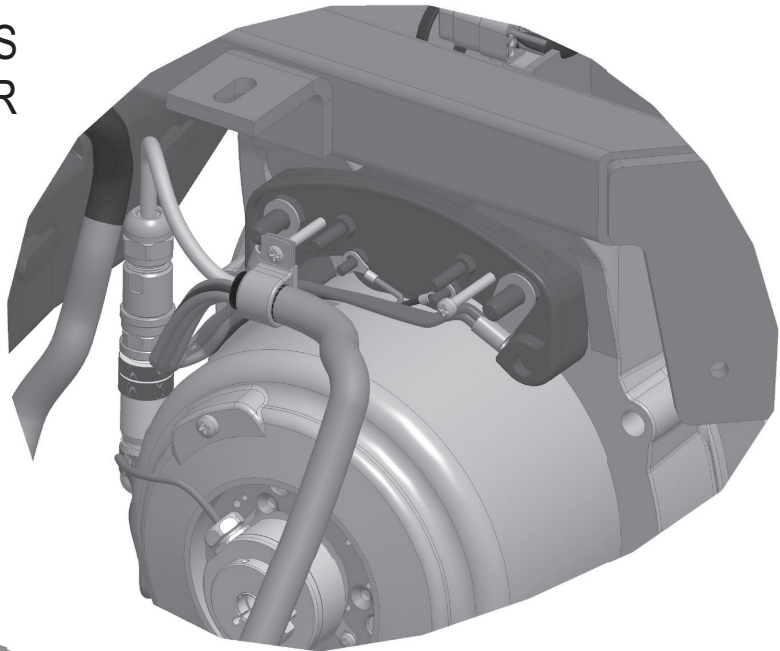
[] = Not Shown

= Revised or new since last update

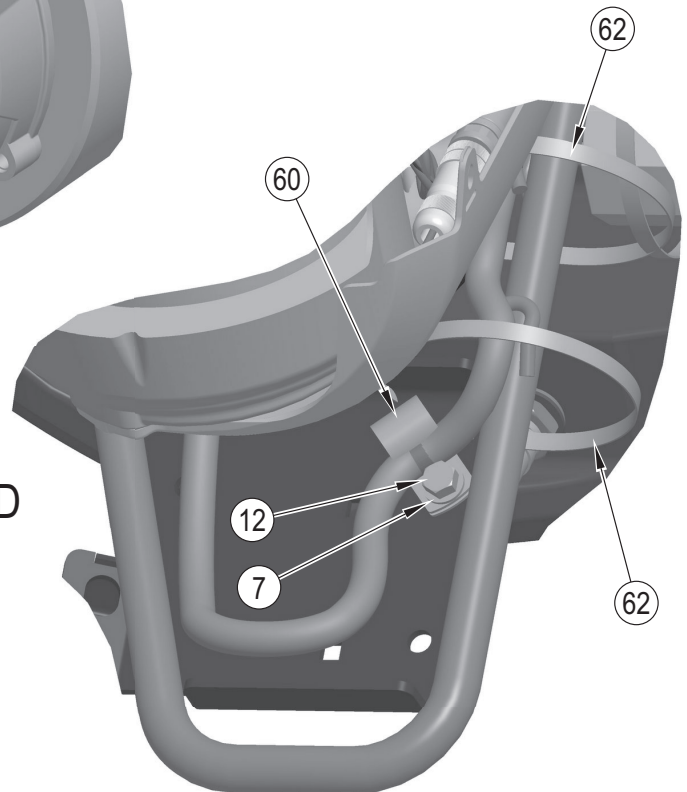
- NOTE 1:** Item 36 Is also referred to as **SWITCH KEY**
- NOTE 2:** Item 42 Is also referred to as **HORN**
- NOTE 3:** Item 52 Is also referred to as **HOURLY METER**
- NOTE 4:** Item 43 Is also referred to as **LAMP, FLASHING**
- NOTE 5:** Item 54 Is also referred to as **MAIN CONTACTOR**
- NOTE 6:** Item 55 Is also referred to as **SW E-STOP REAR, OR SW E-STOP FRONT**
- NOTE 7:** Item 49 Is also referred to as **SW AUTONOMY BYPASS**
- NOTE 8:** Item 28 Is also referred to as **SCRUB INTERFACE BOARD (VIB)**

ELECTRICAL SYSTEM-7

MOTOR CONNECTIONS
MOTOR AND ENCODER
COVER REMOVED



TRACTION HARNESS WHEEL
MOTOR ENCODER COVER REMOVED



ELECTRICAL SYSTEM-7

Kit	Item	Ref. No.	Qty	Description
	1	56002561	3	Nut, Hex W/ Shprf
	2	56002708	5	Nut, Hex Nyl Loc 1/4-20
	3	56002808	1	Nut, Hex Nyl Loc 8-32
	4	56002840	3	Nut, Hex Nyl Loc-Thin 1/4-20
	5	56002856	1	Nut-Hex Nyl Loc Ss 5/16-18
	6	56002875	1	Wsh-Flt Sae Ss #8
	7	56002938	1	Wsh-Flt Sae Ss 5/16
	8	56002957	1	Scr-Pan Phil Ss 1/4-20 X .75
	9	56002997	2	Scr-Pan Phil 1/4-20 X 1.75
	10	56003007	1	Scr-Hex 8-32 X .50
	11	56003119	2	Scr-Pan Phil Ss 1/4-20 X .50
	12	56003925	1	Scr-Hex Loc Ss 5/16-18 X .75
	13	56009012	2	Scr, Hex Thd Form 10-24 X .38
	14	56009019	2	Scr, Hex Thd Form 1/4-20 X .38
	15	56009030	1	Scr, Pan Phil Thd Form 10-24 X .38
K4	16		2	Rivet, Push Nylon Black
	17	56009225	1	Wsh-Fender .281x1.50x.074
	18	56046309	2	Spacer, Phenolic
	19	56111972	1	Clip-Connector
	20	56115432	1	Fuse-150 Amp
	21	56115433	1	Holder-Fuse
	22	56115434	1	Boot-Fuse Holder
	23#	56115456	5	Ferrite Bead
	24	56116611	13	Cable Tie Mount
	25		1	Circuit Breaker Assembly
	25a	56107611	1	Trim-Edge
	25b	56123047	1	Bracket-Circuit Breaker
	25c	56123230	1	Trim-Edge
	25d	56315255	2	Circuit Breaker, 5 Amp
	25e	56315256	2	Circuit Breaker, 30 Amp
	25f	56413822	1	Circuit Breaker, 20 Amp
	25g	56454429	1	Circuit Breaker, 70 Amp
	25h	56459369	1	Boot, Reset Button
	26	56123065	1	Decal-Bypass
	27	56123102	1	Main Harness
	[]	56123266	3	Diode-Terminating-Dt Series
	28	56123122	1	User Interface Assembly VIB, NOTE 8
	29	56123130	1	Harness-Recovery
	30	56123131	1	Harness-Column
	31	56123132	1	Cable Asm-Machine
	32	56123133	1	Cable Asm-Battery
	33	56123134	1	Harness-Traction
	34	56123135	1	Wire Asm.
	35	56123138	1	Reisitor Assembly-1.5k
K1	36		1	Switch-Key-W/Key S4 NOTE 1
	[]	56123246	1	Key-Replacement Set
	37	56123149	1	Wire Asm

Kit	Item	Ref. No.	Qty	Description
	38	56123150	1	Wire Asm.
	39	56123166	1	Plate-Switch Mounting
K3	40		1	Machine Controller Assembly
	[]	56123045	1	Plate-Controller Mounting
	[]	56004169	2	Scr M4x30 Iso7380-2 Flg Blk
K5	41#		1	Controller-Machine-Cyl
	42	56123271	1	Horn-Backup Alarm-5 To 28vdc H2 NOTE 2
	43	56123286	1	Beacon Assembly LP1, NOTE 4
	44	56157376	2	Grommet
	45	56305317	2	Clamp, P
	46	56315255	1	Circuit Breaker, 5 Amp CB1
	47	56321540	1	Grommet
	48	56372673	7	Boot-Battery Post
	49	56381824	1	Switch Rocker Dpdt On-On S8 NOTE 7
	50	56383973	20	Cable Tie-Black-Black-8-Inch
K4	51		1	Gasket
K4	52		1	Hourmeter HM, NOTE 3
	53	56394557	1	Clamp, P
	54	56397088	1	Contact, 24v Spdt K1 NOTE 5
K2	55		2	Disconnect, Emergency S6 NOTE 6
	56	56409485	3	Cable.Battery
	57	56413407	1	Circuit Breaker, 15 Amp
	58	56419120	3	Clamp, Hose Support
	59	56459369	1	Boot, Reset Button
	60	56469380	1	Clamp-P
	61	56469858	2	Electrical Mount
	62	56477613	12	Tie, Cable
	63	56478246	9	Tie, Cable
	64	56507644	1	Circuit Breaker, 10 Amp CB2
	65	56507903	2	Trim-Edge-.18x3.00
	66	56601213	1	Battery Box
	67	56601215	1	Prop Rod, Seat
	68	56601686	3	Ferrite Bead
	69	56900144	1	Plug, Cap
	70	83302a	2	Stud 1/4-20
	71	56601687	2	Ferrite Bead
	72#	56123173	2	Clip-Connector

Service Kits

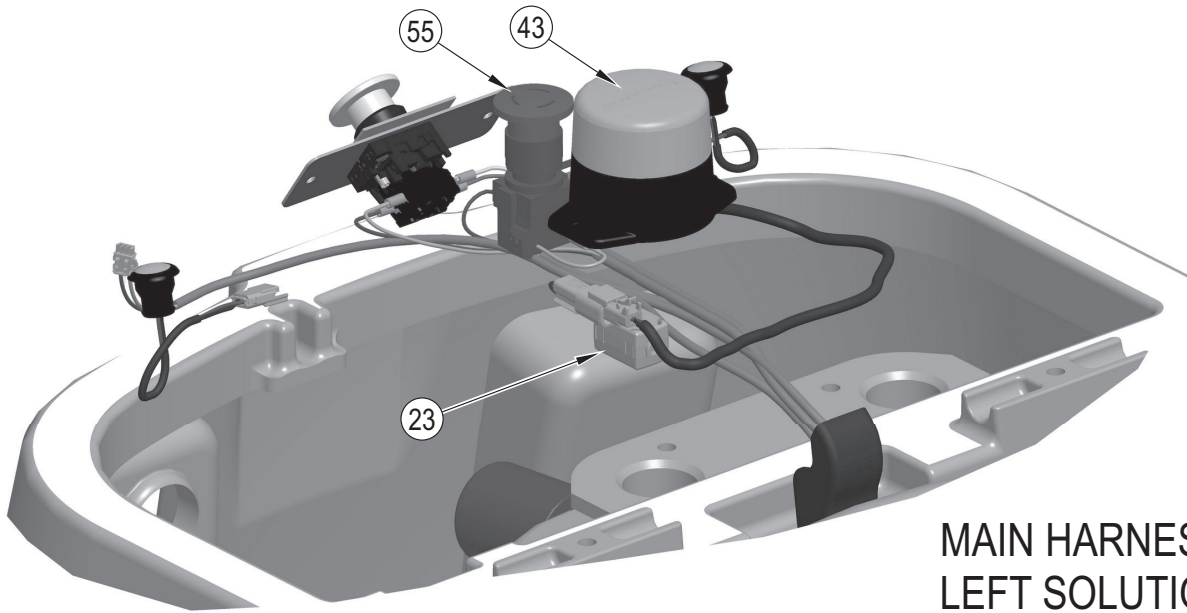
K1	56123249	1	Key Switch Kit
K2	56123247	1	Emergency Disconnect S6
K3#	56123248	1	Disc Machine Controller Kit
K4	56302198	1	Hour Meter Kit
K5#	56123343	1	Cyl Machine Controller Kit

[] = Not Shown

= Revised or new since last update

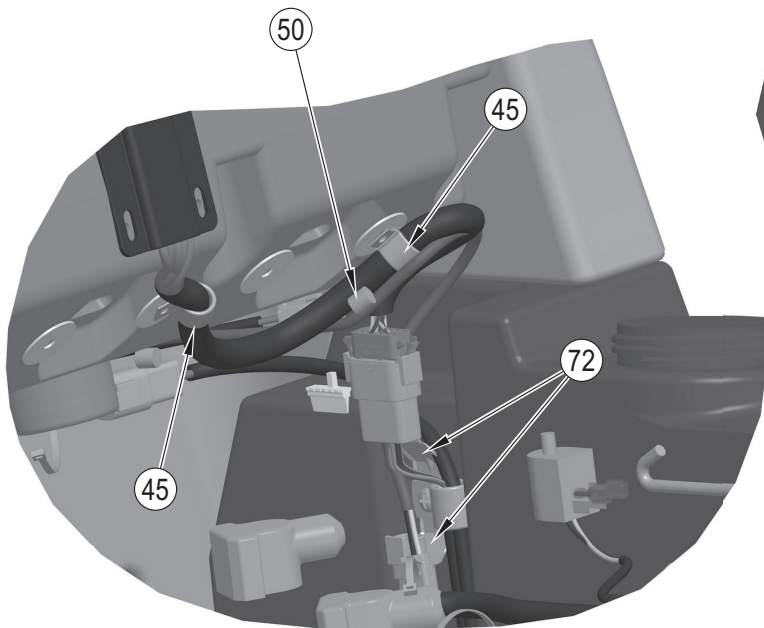
- NOTE 1:** Item 36 Is also referred to as **SWITCH KEY**
- NOTE 2:** Item 42 Is also referred to as **HORN**
- NOTE 3:** Item 52 Is also referred to as **HOURL METER**
- NOTE 4:** Item 43 Is also referred to as **LAMP, FLASHING**
- NOTE 5:** Item 54 Is also referred to as **MAIN CONTACTOR**
- NOTE 6:** Item 55 Is also referred to as **SW E-STOP REAR, OR SW E-STOP FRONT**
- NOTE 7:** Item 49 Is also referred to as **SW AUTONOMY BYPASS**
- NOTE 8:** Item 28 Is also referred to as **SCRUB INTERFACE BOARD (VIB)**

ELECTRICAL SYSTEM-8

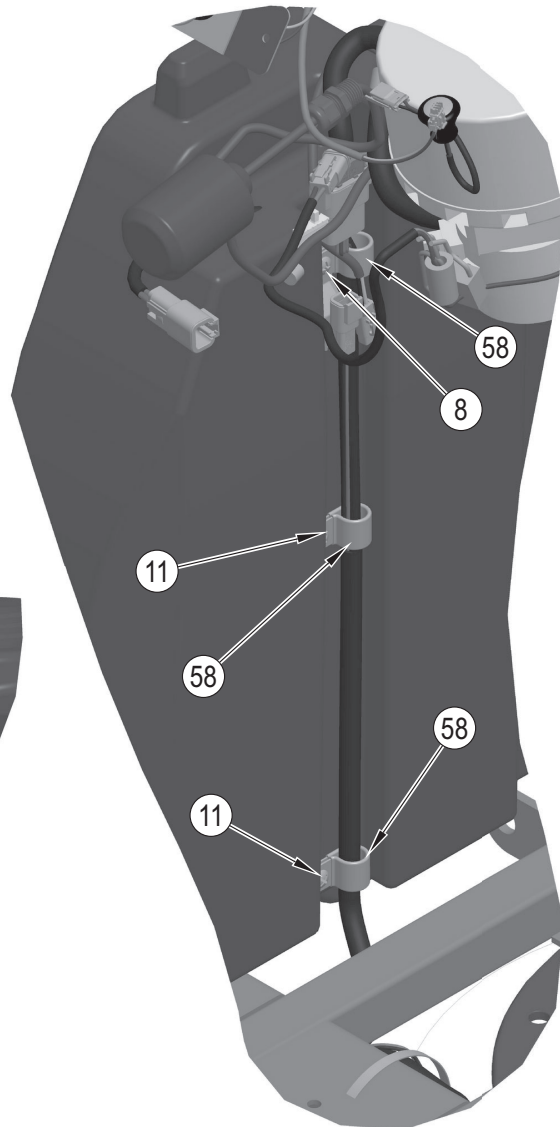


MAIN HARNESS REAR
LEFT SOLUTION TANK

RECOVERY LID CONNECTIONS



MAIN HARNESS LEFT REAR
RECOVERY TANK CONNECTIONS



ELECTRICAL SYSTEM-8

Kit	Item	Ref. No.	Qty	Description
	1	56002561	3	Nut, Hex W/ Shprf
	2	56002708	5	Nut, Hex Nyl Loc 1/4-20
	3	56002808	1	Nut, Hex Nyl Loc 8-32
	4	56002840	3	Nut, Hex Nyl Loc-Thin 1/4-20
	5	56002856	1	Nut-Hex Nyl Loc Ss 5/16-18
	6	56002875	1	Wsh-Flt Sae Ss #8
	7	56002938	1	Wsh-Flt Sae Ss 5/16
	8	56002957	1	Scr-Pan Phil Ss 1/4-20 X .75
	9	56002997	2	Scr-Pan Phil 1/4-20 X 1.75
	10	56003007	1	Scr-Hex 8-32 X .50
	11	56003119	2	Scr-Pan Phil Ss 1/4-20 X .50
	12	56003925	1	Scr-Hex Loc Ss 5/16-18 X .75
	13	56009012	2	Scr, Hex Thd Form 10-24 X .38
	14	56009019	2	Scr, Hex Thd Form 1/4-20 X .38
	15	56009030	1	Scr, Pan Phil Thd Form 10-24 X .38
K4	16		2	Rivet, Push Nylon Black
	17	56009225	1	Wsh-Fender .281x1.50x.074
	18	56046309	2	Spacer, Phenolic
	19	56111972	1	Clip-Connector
	20	56115432	1	Fuse-150 Amp
	21	56115433	1	Holder-Fuse
	22	56115434	1	Boot-Fuse Holder
	23#	56115456	5	Ferrite Bead
	24	56116611	13	Cable Tie Mount
	25		1	Circuit Breaker Assembly
	25a	56107611	1	Trim-Edge
	25b	56123047	1	Bracket-Circuit Breaker
	25c	56123230	1	Trim-Edge
	25d	56315255	2	Circuit Breaker, 5 Amp
	25e	56315256	2	Circuit Breaker, 30 Amp
	25f	56413822	1	Circuit Breaker, 20 Amp
	25g	56454429	1	Circuit Breaker, 70 Amp
	25h	56459369	1	Boot, Reset Button
	26	56123065	1	Decal-Bypass
	27	56123102	1	Main Harness
	[]	56123266	3	Diode-Terminating-Dt Series
	28	56123122	1	User Interface Assembly VIB, NOTE 8
	29	56123130	1	Harness-Recovery
	30	56123131	1	Harness-Column
	31	56123132	1	Cable Asm-Machine
	32	56123133	1	Cable Asm-Battery
	33	56123134	1	Harness-Traction
	34	56123135	1	Wire Asm.
	35	56123138	1	Reisitor Assembly-1.5k
K1	36		1	Switch-Key-W/Key S4 NOTE 1
	[]	56123246	1	Key-Replacement Set
	37	56123149	1	Wire Asm

Kit	Item	Ref. No.	Qty	Description
	38	56123150	1	Wire Asm.
	39	56123166	1	Plate-Switch Mounting
K3	40		1	Machine Controller Assembly
	[]	56123045	1	Plate-Controller Mounting
	[]	56004169	2	Scr M4x30 Iso7380-2 Flg Blk
K5	41#		1	Controller-Machine-Cyl
	42	56123271	1	Horn-Backup Alarm-5 To 28vdc H2 NOTE 2
	43	56123286	1	Beacon Assembly LP1, NOTE 4
	44	56157376	2	Grommet
	45	56305317	2	Clamp, P
	46	56315255	1	Circuit Breaker, 5 Amp CB1
	47	56321540	1	Grommet
	48	56372673	7	Boot-Battery Post
	49	56381824	1	Switch Rocker Dpdt On-On S8 NOTE 7
	50	56383973	20	Cable Tie-Black-Black-8-Inch
K4	51		1	Gasket
K4	52		1	Hourmeter HM, NOTE 3
	53	56394557	1	Clamp, P
	54	56397088	1	Contact, 24v Spdt K1 NOTE 5
K2	55		2	Disconnect, Emergency S6 NOTE 6
	56	56409485	3	Cable, Battery
	57	56413407	1	Circuit Breaker, 15 Amp
	58	56419120	3	Clamp, Hose Support
	59	56459369	1	Boot, Reset Button
	60	56469380	1	Clamp-P
	61	56469858	2	Electrical Mount
	62	56477613	12	Tie, Cable
	63	56478246	9	Tie, Cable
	64	56507644	1	Circuit Breaker, 10 Amp CB2
	65	56507903	2	Trim-Edge-.18x3.00
	66	56601213	1	Battery Box
	67	56601215	1	Prop Rod, Seat
	68	56601686	3	Ferrite Bead
	69	56900144	1	Plug, Cap
	70	83302a	2	Stud 1/4-20
	71	56601687	2	Ferrite Bead
	72#	56123173	2	Clip-Connector

Service Kits

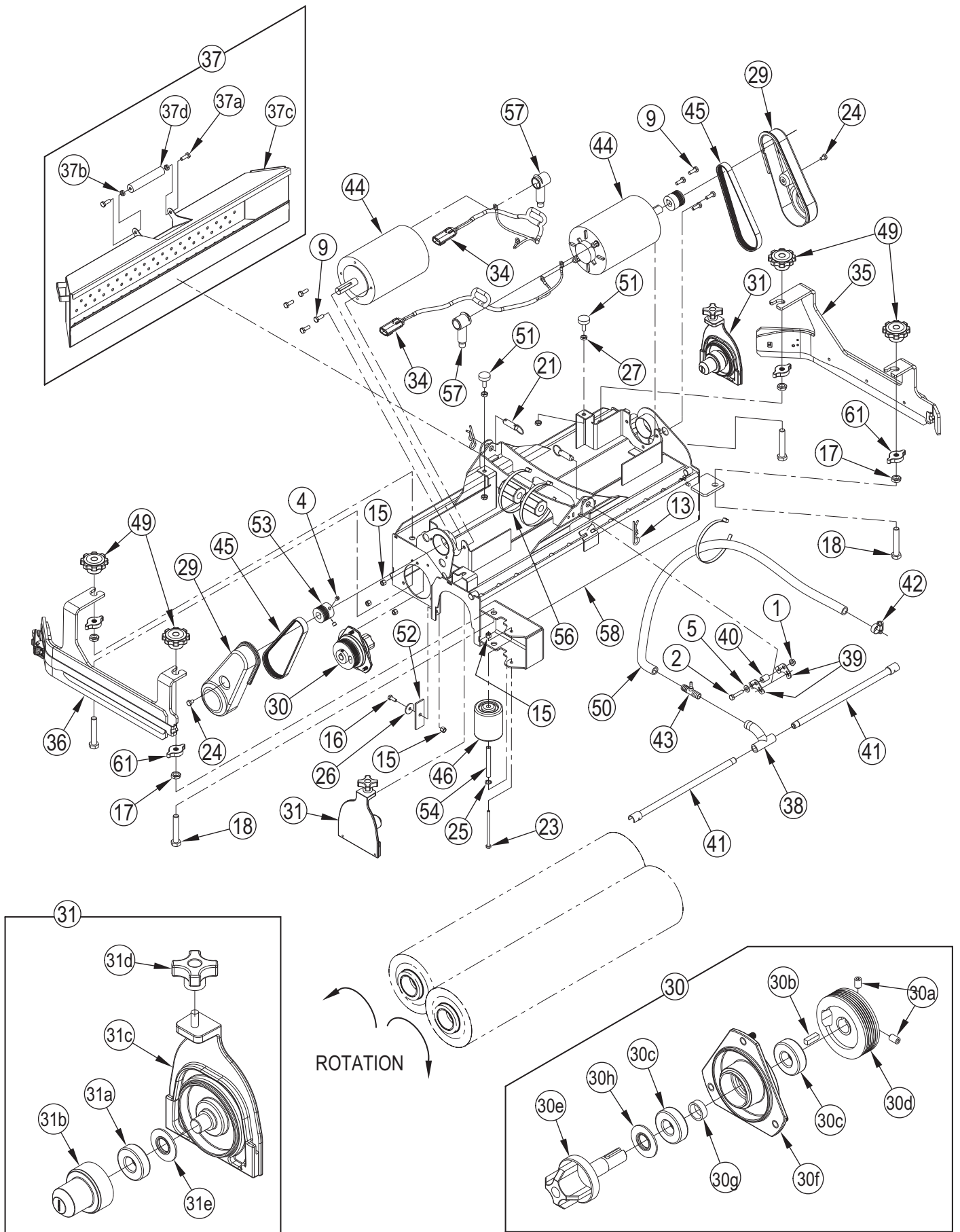
K1	56123249	1	Key Switch Kit
K2	56123247	1	Emergency Disconnect S6
K3#	56123248	1	Disc Machine Controller Kit
K4	56302198	1	Hour Meter Kit
K5#	56123343	1	Cyl Machine Controller Kit

[] = Not Shown

= Revised or new since last update

- NOTE 1:** Item 36 Is also referred to as **SWITCH KEY**
- NOTE 2:** Item 42 Is also referred to as **HORN**
- NOTE 3:** Item 52 Is also referred to as **HOURL METER**
- NOTE 4:** Item 43 Is also referred to as **LAMP, FLASHING**
- NOTE 5:** Item 54 Is also referred to as **MAIN CONTACTOR**
- NOTE 6:** Item 55 Is also referred to as **SW E-STOP REAR, OR SW E-STOP FRONT**
- NOTE 7:** Item 49 Is also referred to as **SW AUTONOMY BYPASS**
- NOTE 8:** Item 28 Is also referred to as **SCRUB INTERFACE BOARD (VIB)**

SCRUB SYSTEM-CYLINDRICAL-1



SCRUB SYSTEM-CYLINDRICAL-1

Kit	Item	Ref. No.	Qty	Description
	1#	56001827	1	Nut, Hex Flange Loc
	2#	56001878	1	Scr-Hex 1/4-20 X 1.25
	3#	56001879	2	Wsh-Flt Sae 1/2
	4#	56002086	4	Scr, Soc Set Loc 5/16-18 X .25
	5#	56002098	1	Wsh, Flt Sae 1/4
	6#	56002684	1	Scr-Hex 3/8-16 X 1.75
	7#	56002701	3	Nut, Hex Nyl Loc 5/16-18
	8#	56002841	1	Nut, Hex Nyl Loc-Thin 3/8-16
	9#	56002948	8	Scr-Hex Hd Loc 1/4-20x.75
	10#	56002959	1	Pin, Cotter Hair
	11#	56003008	1	Scr, Hex Thd To Hd
	12#	56003120	1	Pin, Cotter Hair
	13#	56003223	2	Pin, Cot Hair .148 X Dia .62/1.00
	14#	56003412	2	Scr, Hex Loc Metric
	15#	56003426	9	Nut, Hex Nyl Loc Ss M6-1
	16#	56003431	2	Scr-Hex Ss M6-1 X 16mm
	17#	56003657	4	Nut, Hex Jam Ss Metric
	18#	56003658	4	Scr-Hex Thd To Hd Ss M12-1.75 X 70mm
	19#	56003679	1	Pin, Ring .50 X 1.63
	20#	56003720	3	Scr-Carriage Ss 5/16-18 X 1.00
	21#	56003786	2	Pin, Ring .500 X 1.18
	22#	56003803	1	Clevis Pin
	23#	56003939	1	Scr-Hex Ss M6-1 X 95mm
	24#	56009019	2	Scr, Hex Thd Form 1/4-20 X .38
	25#	56009045	2	Wsh-Bow-.390x.55x.075-.006 Thk
	26#	56009060	2	Wsh-Flt Ss .260 X 1.000 X .074
	27#	56009086	5	Nut, Hex Jam
	28#	56009122	1	Wsh, Flt .344 X .938 X .125
	29#	56115314	2	Guard Assy-Belt
	30#	56115318	2	Drive End Assy
	30a#	56002930	2	Scr,Soc Set Loc 1/4-20 X .38
	30b#	56003237	1	Key, Sq .19 X .62
	30c#	56106070	2	Bearing, Ball
	30d#	56115316	1	Sheave-Poly V
	30e#	56115319	1	Spindle-Long
	30f#	56381765	1	Bearing Plate
	30g#	56407389	1	Spacer
	30h#	56407558	1	Washer Bearing
	31#	56115344	2	Idler End Assy
	31a#	56106070	1	Bearing, Ball
	31b#	56115273	1	Hub-Idler
	31c#	56315447	1	Idler Bearing Plate
	31d#	56407303	1	Knob
	31e#	56407558	1	Washer Bearing
	32#	56123105	1	Actuator Assembly NOTE 1
	32a#	56009019	2	Scr, Hex Thd Form 1/4-20 X .38
	32b#	56009062	4	Scr, Pan Phil Thd Form 1/4-20 X .50
	32c#	56123104	1	Actuator M5
	32d#	56396268	1	Spring Housing Guide
	32e#	56412071	1	Compression Spring
	32f#	56412262	1	Housing Spring
	32g#	56420019	1	Nut Retainer
	32h#	56420020	1	Nut Retainer
	32i#	56601470	1	Compression Spring
	32j#	56388520	1	Nut, Plastic

Kit	Item	Ref. No.	Qty	Description
	33#	56123322	1	Tip Bar Guard Assembly-Rt
	34#	56123332	2	Harness-Cylindrical Motor
	35#	56123333	1	Side Blade Assy-Fixed-Lt-X71c (See page 34-35)
	36#	56123334	1	Side Blade Assy-Fixed-Rt-X71c (See page 36-37)
	37#	56123339	1	Hopper Assy
	37a#	56002948	2	Scr-Hex Hd Loc 1/4-20x.75
	37b#	56003145	2	Nut-Hex Jam Ss
	37c#	56123319	1	Hopper Weldment-X71c
	37d#	56123340	1	Handle-Hopper
	38#	56123346	1	Tee-Distribution-12.7mm
	39#	56123347	2	Plate-Holder-Tee
	40#	56123348	1	Spacer-Nylon-6.5x12.7x17.5mm
	41#	56123351	2	Tube Assy-Drip-X71c
	42#	56219932	1	Clamp- Hose Sae #6
	43#	56314977	1	Tee,Barb
	44#	56315061	2	Motor-24 Vdc .5 Hp 1800 Rpm M3L, M3R, NOTE 2
	[]#	56412257	1	Brush Cap Assembly
	[]#	56412287	1	Motor Brush/Spring Kit
	[]#	56412258	4	Brush Assy
	[]#	56412259	4	Brush Spring
	45#	56315321	2	Belt, Auto Tension
	46#	56316089	1	Wheel
	47#	56317071	1	Ring
	48#	56367206	2	Bushing
	49#	56380149	4	Knob - M12-1.75 Thru
	50#	56392663	1	Hose Spiral 1/2idx3/4odx33.0
	51#	56401783	2	Leveler
	52#	56407391	2	Blade
	53#	56407433	2	Sheave, Poly-V
	54#	56412176	1	Bushing
	55#	56420160	2	Bearing, Flange
	56#	56477613	3	Tie, Cable
	57#	56493357	2	Insulator, Terminal
	58#	56601048	1	Housing Weldt
	59#	56601239	1	Deck Linkage, Weldt
	60#	56601328	1	Yoke, Actuator
	61#	56601578	4	Knob

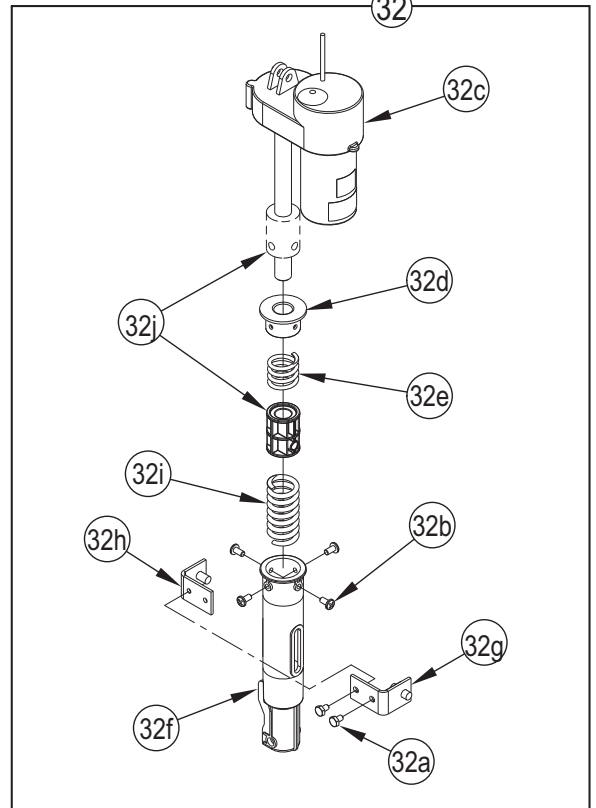
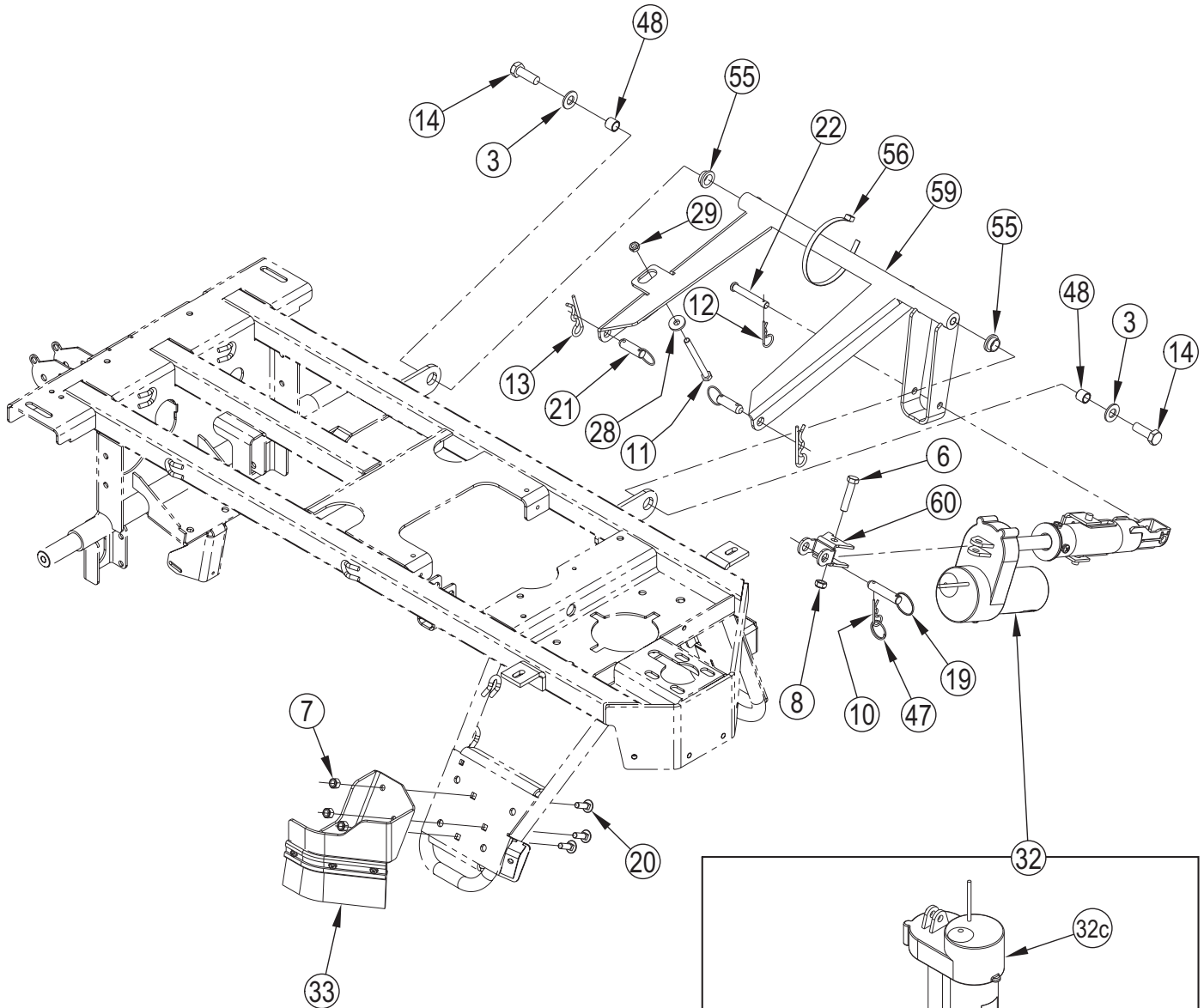
[] = Not Shown

= Revised or new since last update

NOTE 1: Item 32 Is also referred to as **DECK ACTUATOR**

NOTE 2: Item 44 Is also referred to as **BRUSH MOTOR - LEFT & BRUSH MOTOR - RIGHT**

SCRUB SYSTEM-CYLINDRICAL-2



SCRUB SYSTEM-CYLINDRICAL-2

Kit	Item	Ref. No.	Qty	Description
	1#	56001827	1	Nut, Hex Flange Loc
	2#	56001878	1	Scr-Hex 1/4-20 X 1.25
	3#	56001879	2	Wsh-Flt Sae 1/2
	4#	56002086	4	Scr, Soc Set Loc 5/16-18 X .25
	5#	56002098	1	Wsh, Flt Sae 1/4
	6#	56002684	1	Scr-Hex 3/8-16 X 1.75
	7#	56002701	3	Nut, Hex Nyl Loc 5/16-18
	8#	56002841	1	Nut, Hex Nyl Loc-Thin 3/8-16
	9#	56002948	8	Scr-Hex Hd Loc 1/4-20x.75
	10#	56002959	1	Pin, Cotter Hair
	11#	56003008	1	Scr, Hex Thd To Hd
	12#	56003120	1	Pin, Cotter Hair
	13#	56003223	2	Pin, Cot Hair .148 X Dia .62/1.00
	14#	56003412	2	Scr, Hex Loc Metric
	15#	56003426	9	Nut, Hex Nyl Loc Ss M6-1
	16#	56003431	2	Scr-Hex Ss M6-1 X 16mm
	17#	56003657	4	Nut, Hex Jam Ss Metric
	18#	56003658	4	Scr-Hex Thd To Hd Ss M12-1.75 X 70mm
	19#	56003679	1	Pin, Ring .50 X 1.63
	20#	56003720	3	Scr-Carriage Ss 5/16-18 X 1.00
	21#	56003786	2	Pin, Ring .500 X 1.18
	22#	56003803	1	Clevis Pin
	23#	56003939	1	Scr-Hex Ss M6-1 X 95mm
	24#	56009019	2	Scr, Hex Thd Form 1/4-20 X .38
	25#	56009045	2	Wsh-Bow-.390x.55x.075-.006 Thk
	26#	56009060	2	Wsh-Flt Ss .260 X 1.000 X .074
	27#	56009086	5	Nut, Hex Jam
	28#	56009122	1	Wsh, Flt .344 X .938 X .125
	29#	56115314	2	Guard Assy-Belt
	30#	56115318	2	Drive End Assy
	30a#	56002930	2	Scr,Soc Set Loc 1/4-20 X .38
	30b#	56003237	1	Key, Sq .19 X .62
	30c#	56106070	2	Bearing, Ball
	30d#	56115316	1	Sheave-Poly V
	30e#	56115319	1	Spindle-Long
	30f#	56381765	1	Bearing Plate
	30g#	56407389	1	Spacer
	30h#	56407558	1	Washer Bearing
	31#	56115344	2	Idler End Assy
	31a#	56106070	1	Bearing, Ball
	31b#	56115273	1	Hub-Idler
	31c#	56315447	1	Idler Bearing Plate
	31d#	56407303	1	Knob
	31e#	56407558	1	Washer Bearing
	32#	56123105	1	Actuator Assembly NOTE 1
	32a#	56009019	2	Scr, Hex Thd Form 1/4-20 X .38
	32b#	56009062	4	Scr, Pan Phil Thd Form 1/4-20 X .50
	32c#	56123104	1	Actuator M5
	32d#	56396268	1	Spring Housing Guide
	32e#	56412071	1	Compression Spring
	32f#	56412262	1	Housing Spring
	32g#	56420019	1	Nut Retainer
	32h#	56420020	1	Nut Retainer
	32i#	56601470	1	Compression Spring
	32j#	56388520	1	Nut, Plastic

Kit	Item	Ref. No.	Qty	Description
	33#	56123322	1	Tip Bar Guard Assembly-Rt
	34#	56123332	2	Harness-Cylindrical Motor
	35#	56123333	1	Side Blade Assy-Fixed-Lt-X71c (See page 34-35)
	36#	56123334	1	Side Blade Assy-Fixed-Rt-X71c (See page 36-37)
	37#	56123339	1	Hopper Assy
	37a#	56002948	2	Scr-Hex Hd Loc 1/4-20x.75
	37b#	56003145	2	Nut-Hex Jam Ss
	37c#	56123319	1	Hopper Weldment-X71c
	37d#	56123340	1	Handle-Hopper
	38#	56123346	1	Tee-Distribution-12.7mm
	39#	56123347	2	Plate-Holder-Tee
	40#	56123348	1	Spacer-Nylon-6.5x12.7x17.5mm
	41#	56123351	2	Tube Assy-Drip-X71c
	42#	56219932	1	Clamp- Hose Sae #6
	43#	56314977	1	Tee,Barb
	44#	56315061	2	Motor-24 Vdc .5 Hp 1800 Rpm M3L, M3R, NOTE 2
	[]#	56412257	1	Brush Cap Assembly
	[]#	56412287	1	Motor Brush/Spring Kit
	[]#	56412258	4	Brush Assy
	[]#	56412259	4	Brush Spring
	45#	56315321	2	Belt, Auto Tension
	46#	56316089	1	Wheel
	47#	56317071	1	Ring
	48#	56367206	2	Bushing
	49#	56380149	4	Knob - M12-1.75 Thru
	50#	56392663	1	Hose Spiral 1/2idx3/4odx33.0
	51#	56401783	2	Leveler
	52#	56407391	2	Blade
	53#	56407433	2	Sheave, Poly-V
	54#	56412176	1	Bushing
	55#	56420160	2	Bearing, Flange
	56#	56477613	3	Tie, Cable
	57#	56493357	2	Insulator, Terminal
	58#	56601048	1	Housing Weldt
	59#	56601239	1	Deck Linkage, Weldt
	60#	56601328	1	Yoke, Actuator
	61#	56601578	4	Knob

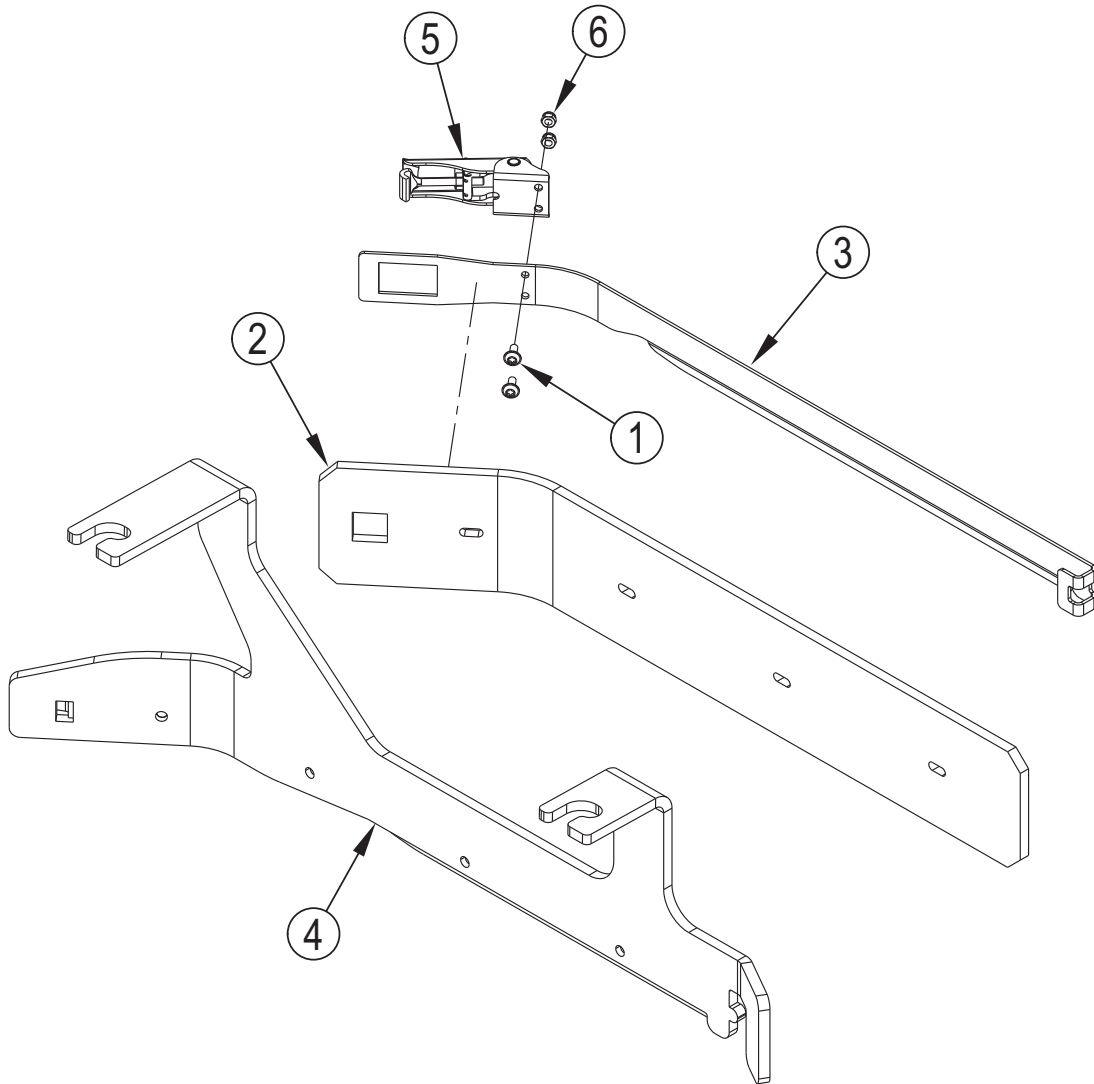
[] = Not Shown

= Revised or new since last update

NOTE 1: Item 32 Is also referred to as **DECK ACTUATOR**

NOTE 2: Item 44 Is also referred to as **BRUSH MOTOR – LEFT & BRUSH MOTOR - RIGHT**

SIDE BLADE ASSEMBLY-FIXED-LH



SIDE BLADE ASSEMBLY-FIXED-LH

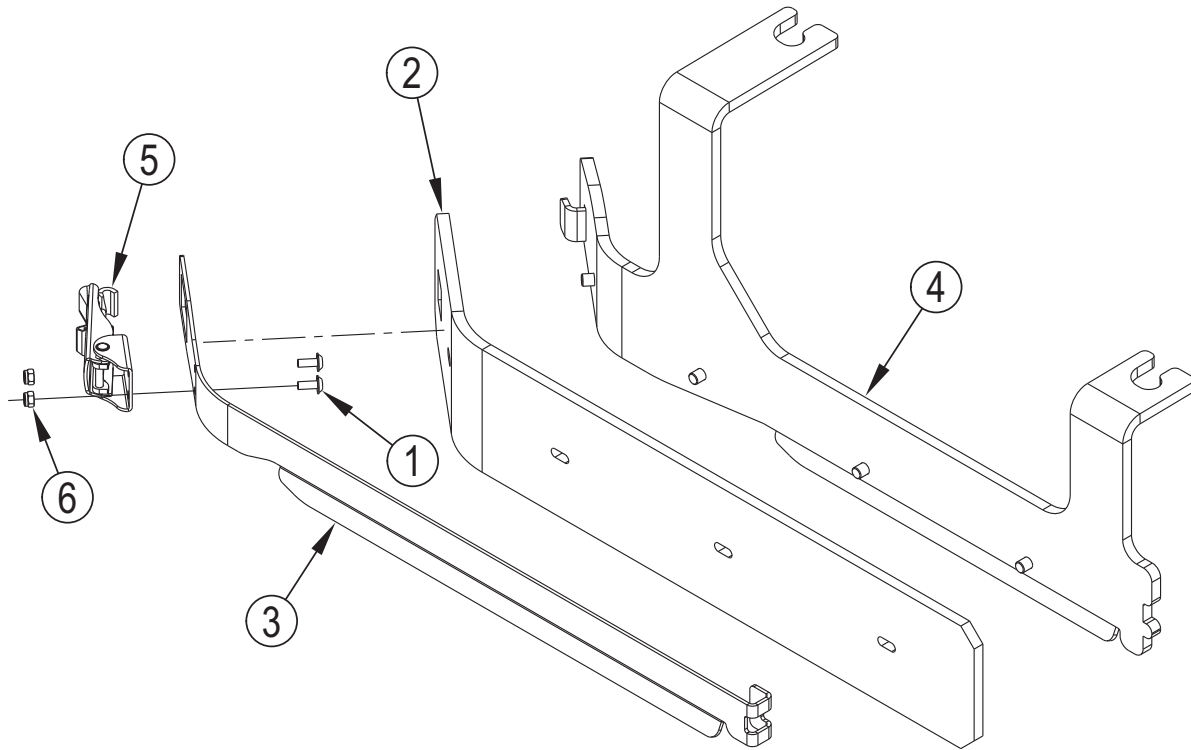
Kit	Item	Ref. No.	Qty	Description
K1	1#		2	Scr Trx M4x10 Bk Zc W/Thd Lck
	2#	56117309-SP	1	Blade-Cylindrical-Linatex
K1	3#		1	Strap-Side Blade-Cyl-Left
	4#	56123335	1	Blade Mount Weldment-Lt-X71c
K1	5#		1	Latch Assembly
K1	6#		2	Nut Lock Hex M4 Low Ss Iso10511

Service Kits

K1#	56117252	1	Lh Strap Kit-Cyl
-----	----------	---	------------------

= Revised or new since last update

SIDE BLADE ASSEMBLY-FIXED-RH



SIDE BLADE ASSEMBLY-FIXED-RH

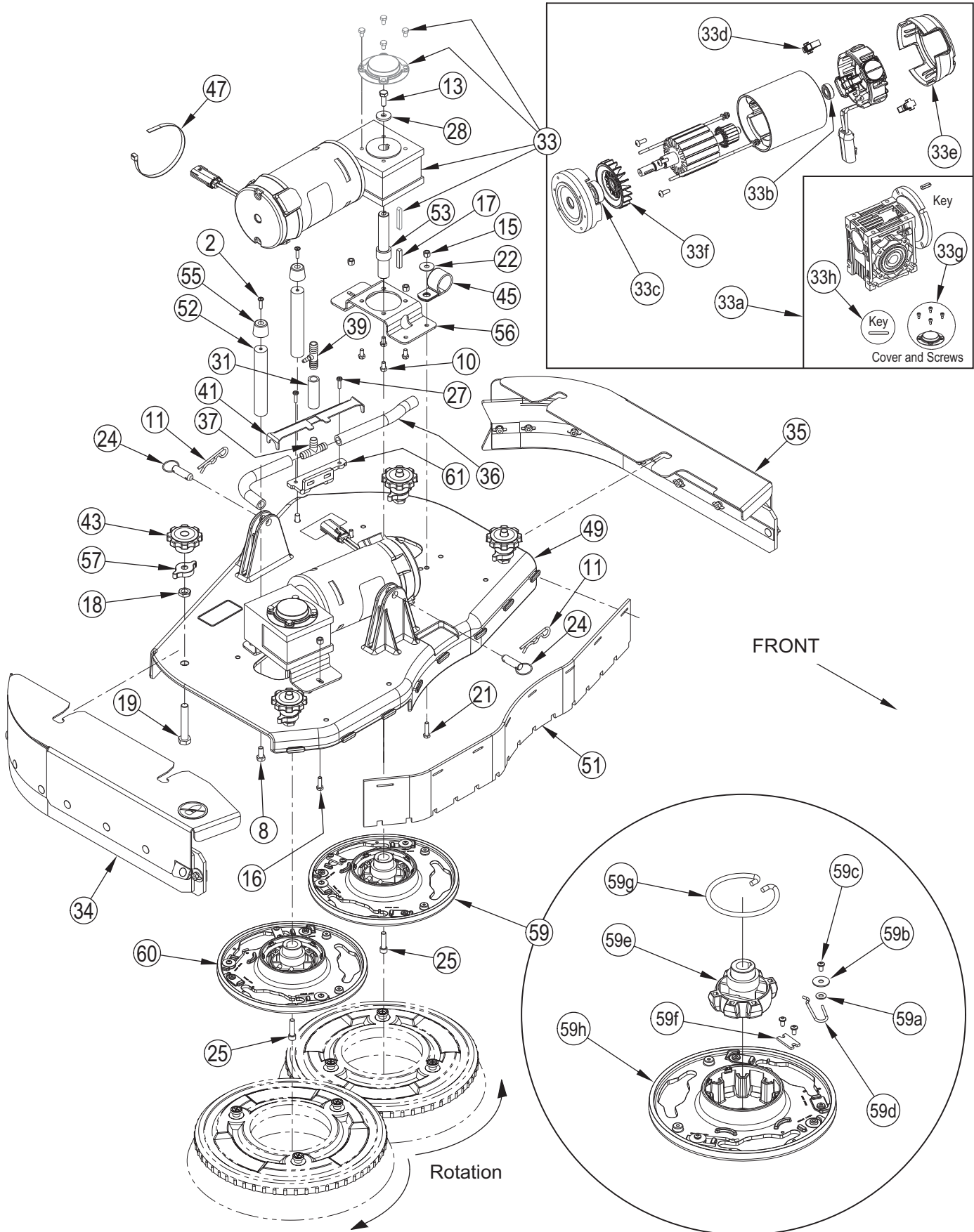
Kit	Item	Ref. No.	Qty	Description
K2	1#		2	Scr Trx M4x10 Bk Zc W/Thd Lck
	2#	56117309-SP	1	Blade-Cylindrical-Linatex
K2	3#		1	Strap-Side Blade-Cyl-Right
	4#	56123336	1	Blade Mount Weldment-Rt-X71c
K2	5#		1	Latch Assembly
K2	6#		2	Nut Lock Hex M4 Low Ss Iso10511

Service Kits

K2#	56117238	1	Rh Strap Kit-Cyl
-----	----------	---	------------------

= Revised or new since last update

SCRUB SYSTEM-DISC-1



FRONT

Rotation

SCRUB SYSTEM-DISC-1

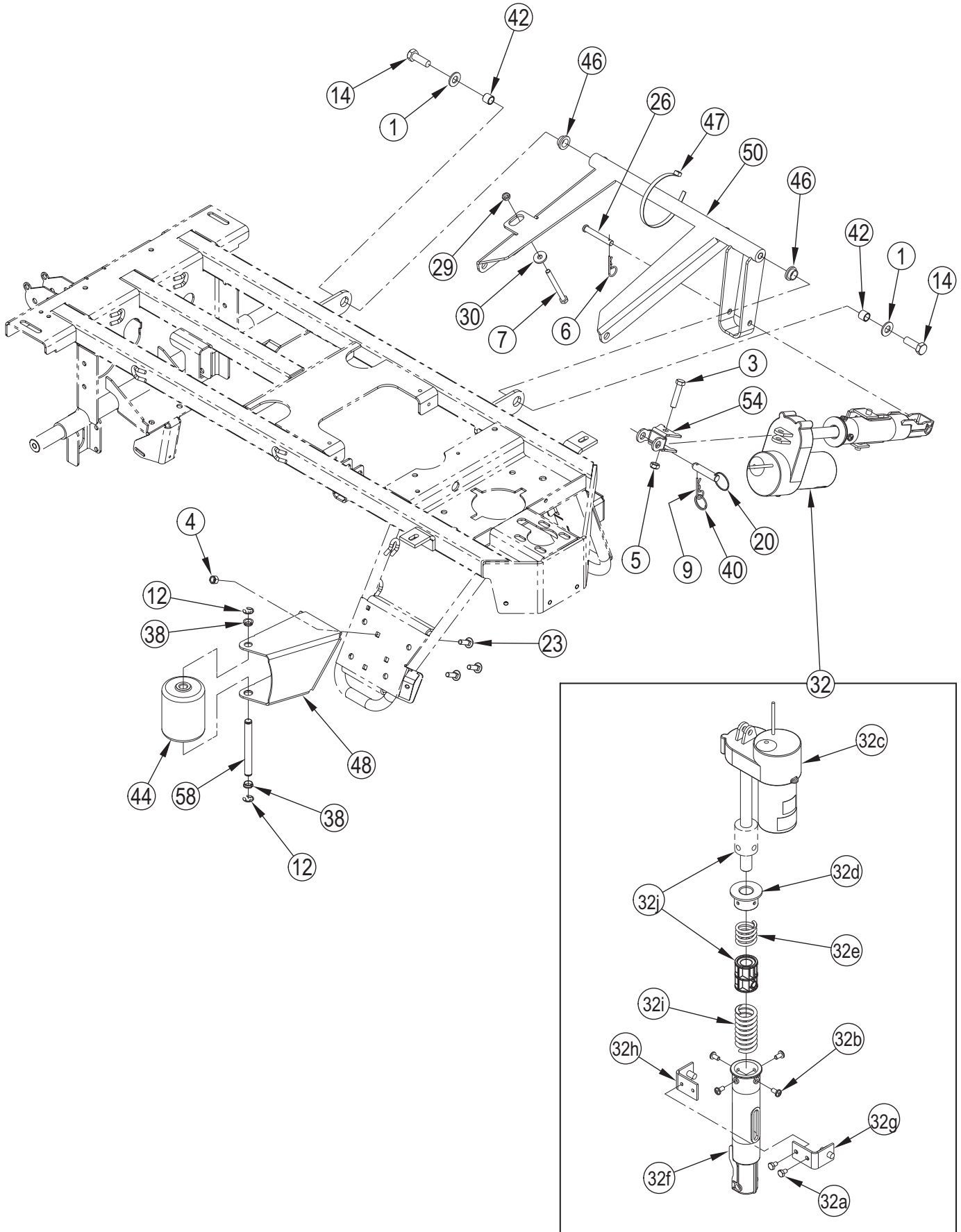
Kit	Item	Ref. No.	Qty	Description
	1	56001879	2	Wsh-Flt Sae 1/2
	2	56002192	2	Scr-Pan Phil 10-24 X .75
	3	56002684	1	Scr-Hex 3/8-16 X 1.75
	4	56002701	3	Nut, Hex Nyl Loc 5/16-18
	5	56002841	1	Nut, Hex Nyl Loc-Thin 3/8-16
	6	56002959	1	Pin, Cotter Hair
	7	56003008	1	Scr, Hex Thd To Hd
	8	56003012	2	Scr- Hex Ss 5/16-18 X .75
	9	56003120	1	Pin, Cotter Hair
	10	56003211	8	Scr-Hex Ss M6-1 X 12mm
	11#	56003223	2	Pin, Cotter Hair
	12	56003264	2	Ring, Ret Ext Type E 0.50 Dia
	13	56003335	2	Scr-Hex Loc Ss 5/16-18 X .88
	14	56003412	2	Scr, Hex Loc Metric
	15	56003426	6	Nut, Hex Nyl Loc Ss M6-1
	16	56003454	5	Scr-Hex Thd To Hd Ss M6-1 X 20mm
	17	56003526	2	Key, Square .25 X 1.44
	18	56003657	4	Nut, Hex Jam Ss Metric
	19	56003658	4	Scr-Hex Thd To Hd Ss M12-1.75 X 70mm
	20	56003679	1	Pin, Ring .50 X 1.63
	21	56003695	1	Scr-Hex Thd To Hd Ss M6-1 X 25mm
	22	56003696	1	Wsh-Flt Ss .33 X 1.00 X.060
	23	56003720	3	Scr-Carriage Ss 5/16-18 X 1.00
	24	56003786	2	Pin, Ring .500 X 1.18
	25	56003798	2	Scr-Soc Hd 5/16-18 X 1.25 Zinc
	26	56003803	1	Clevis Pin
	27	56009043	2	Scr Pan Phil Thd Form10-24x.75
	28	56009057	2	Wsh, Flt Harden .344x1.000x.120/.135
	29	56009086	1	Nut, Hex Jam
	30	56009122	1	Wsh, Flt .344 X .938 X .125
	31	56111385	1	Hose, Spiral .500
	32	56123105	1	Actuator Assembly NOTE 1
	32a	56009019	2	Scr, Hex Thd Form 1/4-20 X .38
	32b	56009062	4	Scr, Pan Phil Thd Form 1/4-20 X .50
	32c	56123104	1	Actuator M5
	32d	56396268	1	Spring Housing Guide
	32e	56412071	1	Compression Spring
	32f	56412262	1	Housing Spring
	32g	56420019	1	Nut Retainer
	32h	56420020	1	Nut Retainer
	32i	56601470	1	Compression Spring
	32j	56388520	1	Nut, Plastic
	33	56123129	2	Motor Gearbox Assy-24v-480watt M3L, M3R, NOTE 2
	33a	56314785	1	Motovario Gearbox
	33b	56601537	1	Ballbearing (Brush Side)
	33c	56412323	1	Ballbearing (Output Side)
	33d	56601534	1	Carbon Brushes (2)
	33e	56601508	1	Plastic Cover
	33f	56601536	1	Fan
	33g	56601588	1	Cover And Screws
	33h	56601535	1	Key

Kit	Item	Ref. No.	Qty	Description
	34	56123283	1	Brush Skirt Assy-28-34d-Rh-Red (See page 35)
	35	56123284	1	Brush Skirt Assy-28-34d-Lh-Red (See page 37)
	36	56262180	2	Hose Spiral .50 X 7 E00604
	37	56262549	1	Tee, Barb
	38	56302164	2	Bearing, Flange
	39	56314977	1	Tee, Barb
	40	56317071	1	Ring
	41	56123299	1	Retainer-Solution Hose
	42	56367206	2	Bushing
	43	56380149	4	Knob - M12-1.75 Thru
	44	56407006	1	Wheel, Roller
	45	56409463	1	Clamp, 1.25 Hose Support
	46	56420160	2	Bearing, Flange
	47	56477613	2	Tie, Cable
	48	56601032	1	Roller Brkt 28
	49	56601113	1	Scrub Deck, Cast
	50	56601239	1	Deck Linkage, Weldt
	51	56601248	1	Blade, Front 28 Gum
	*	56601521	1	Blade Front 28 Pu
	52	56601289	2	Rod-Up Stop
	53	56601319	2	Shaft, Hub Mount
	54	56601328	1	Yoke, Actuator
	55	56601388	2	Up Stop Mount
	56	56601389	2	Bracket, Motor
	57	56601578	4	Knob
	58	56601580	1	Pin
	59	56601733	1	Brush Plate Assy-Ccw
	59a	980643	1	Washer 7/16odx.036thk
	59b	56009002	2	Wsh, Flt .266 x .906 x .060
	59c	56009247	4	Scr, Pan Phil Plastite 10-14 x .38
	59d	56109653	2	Spring Retainer
	59e	56112521	1	Gimbal Assy
	59f	56366455	1	Plate, Stop
	59g	56601056	1	Spring, Brush Holder
	59h	56601118	1	Brush Plate
	60	56601734	1	Brush Plate Assy-Cw
	61	56123289	1	Bracket-Solution Hose

= Revised or new since last update

NOTE 1: Item 32 Is also referred to as **DECK ACTUATOR**
NOTE 2: Item 33 Is also referred to as **BRUSH MOTOR – LEFT & BRUSH MOTOR - RIGHT**

SCRUB SYSTEM-DISC-2



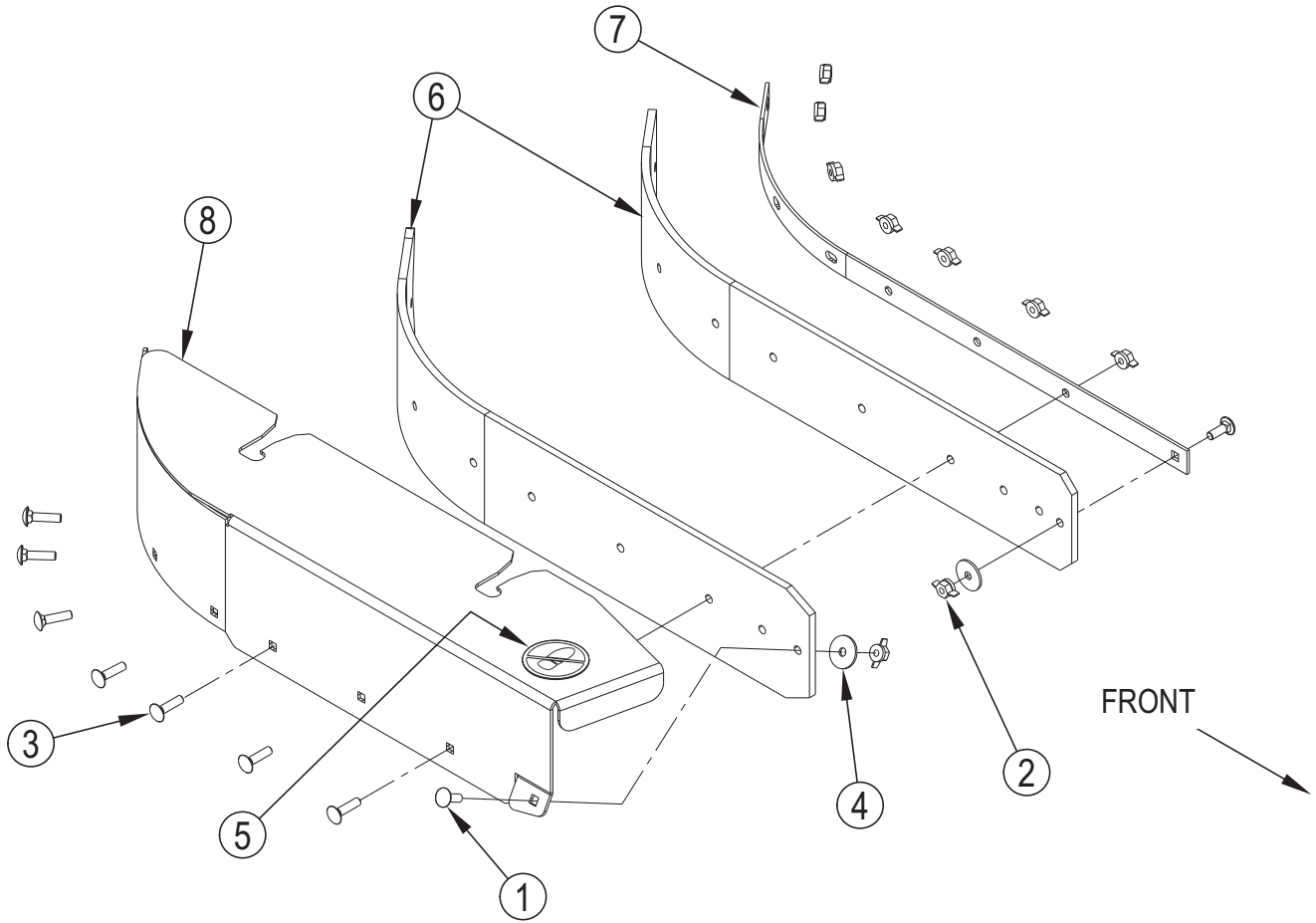
SCRUB SYSTEM-DISC-2

Kit	Item	Ref. No.	Qty	Description	Kit	Item	Ref. No.	Qty	Description
	1	56001879	2	Wsh-Flt Sae 1/2		34	56123283	1	Brush Skirt Assy-28-34d-Rh-Red (See page 35)
	2	56002192	2	Scr-Pan Phil 10-24 X .75		35	56123284	1	Brush Skirt Assy-28-34d-Lh-Red (See page 37)
	3	56002684	1	Scr-Hex 3/8-16 X 1.75		36	56262180	2	Hose Spiral .50 X 7 E00604
	4	56002701	3	Nut, Hex Nyl Loc 5/16-18		37	56262549	1	Tee, Barb
	5	56002841	1	Nut, Hex Nyl Loc-Thin 3/8-16		38	56302164	2	Bearing, Flange
	6	56002959	1	Pin, Cotter Hair		39	56314977	1	Tee, Barb
	7	56003008	1	Scr, Hex Thd To Hd		40	56317071	1	Ring
	8	56003012	2	Scr- Hex Ss 5/16-18 X .75		41	56123299	1	Retainer-Solution Hose
	9	56003120	1	Pin, Cotter Hair		42	56367206	2	Bushing
	10	56003211	8	Scr-Hex Ss M6-1 X 12mm		43	56380149	4	Knob - M12-1.75 Thru
	11#	56003223	2	Pin, Cotter Hair		44	56407006	1	Wheel, Roller
	12	56003264	2	Ring, Ret Ext Type E 0.50 Dia		45	56409463	1	Clamp, 1.25 Hose Support
	13	56003335	2	Scr-Hex Loc Ss 5/16-18 X .88		46	56420160	2	Bearing, Flange
	14	56003412	2	Scr, Hex Loc Metric		47	56477613	2	Tie, Cable
	15	56003426	6	Nut, Hex Nyl Loc Ss M6-1		48	56601032	1	Roller Brkt 28
	16	56003454	5	Scr-Hex Thd To Hd Ss M6-1 X 20mm		49	56601113	1	Scrub Deck, Cast
	17	56003526	2	Key, Square .25 X 1.44		50	56601239	1	Deck Linkage, Weldt
	18	56003657	4	Nut, Hex Jam Ss Metric		51	56601248	1	Blade, Front 28 Gum
	19	56003658	4	Scr-Hex Thd To Hd Ss M12-1.75 X 70mm		*	56601521	1	Blade Front 28 Pu
	20	56003679	1	Pin, Ring .50 X 1.63		52	56601289	2	Rod-Up Stop
	21	56003695	1	Scr-Hex Thd To Hd Ss M6-1 X 25mm		53	56601319	2	Shaft, Hub Mount
	22	56003696	1	Wsh-Flt Ss .33 X 1.00 X .060		54	56601328	1	Yoke, Actuator
	23	56003720	3	Scr-Carriage Ss 5/16-18 X 1.00		55	56601388	2	Up Stop Mount
	24	56003786	2	Pin, Ring .500 X 1.18		56	56601389	2	Bracket, Motor
	25	56003798	2	Scr-Soc Hd 5/16-18 X 1.25 Zinc		57	56601578	4	Knob
	26	56003803	1	Clevis Pin		58	56601580	1	Pin
	27	56009043	2	Scr Pan Phil Thd Form 10-24x.75		59	56601733	1	Brush Plate Assy-Ccw
	28	56009057	2	Wsh, Flt Harden .344x1.000x.120/.135		59a	980643	1	Washer 7/16odx.036thk
	29	56009086	1	Nut, Hex Jam		59b	56009002	2	Wsh, Flt .266 x .906 x .060
	30	56009122	1	Wsh, Flt .344 X .938 X .125		59c	56009247	4	Scr, Pan Phil Plastite 10-14 x .38
	31	56111385	1	Hose, Spiral .500		59d	56109653	2	Spring Retainer
	32	56123105	1	Actuator Assembly NOTE 1		59e	56112521	1	Gimbal Assy
	32a	56009019	2	Scr, Hex Thd Form 1/4-20 X .38		59f	56366455	1	Plate, Stop
	32b	56009062	4	Scr, Pan Phil Thd Form 1/4-20 X .50		59g	56601056	1	Spring, Brush Holder
	32c	56123104	1	Actuator M5		59h	56601118	1	Brush Plate
	32d	56396268	1	Spring Housing Guide		60	56601734	1	Brush Plate Assy-Cw
	32e	56412071	1	Compression Spring		61	56123289	1	Bracket-Solution Hose
	32f	56412262	1	Housing Spring					
	32g	56420019	1	Nut Retainer					
	32h	56420020	1	Nut Retainer					
	32i	56601470	1	Compression Spring					
	32j	56388520	1	Nut, Plastic					
	33	56123129	2	Motor Gearbox Assy-24v-480watt M3L, M3R, NOTE 2					
	33a	56314785	1	Motovario Gearbox					
	33b	56601537	1	Ballbearing (Brush Side)					
	33c	56412323	1	Ballbearing (Output Side)					
	33d	56601534	1	Carbon Brushes (2)					
	33e	56601508	1	Plastic Cover					
	33f	56601536	1	Fan					
	33g	56601588	1	Cover And Screws					
	33h	56601535	1	Key					

= Revised or new since last update

NOTE 1: Item 32 Is also referred to as **DECK ACTUATOR****NOTE 2:** Item 33 Is also referred to as **BRUSH MOTOR - LEFT
& BRUSH MOTOR - RIGHT**

BRUSH SKIRT ASSEMBLY-RH



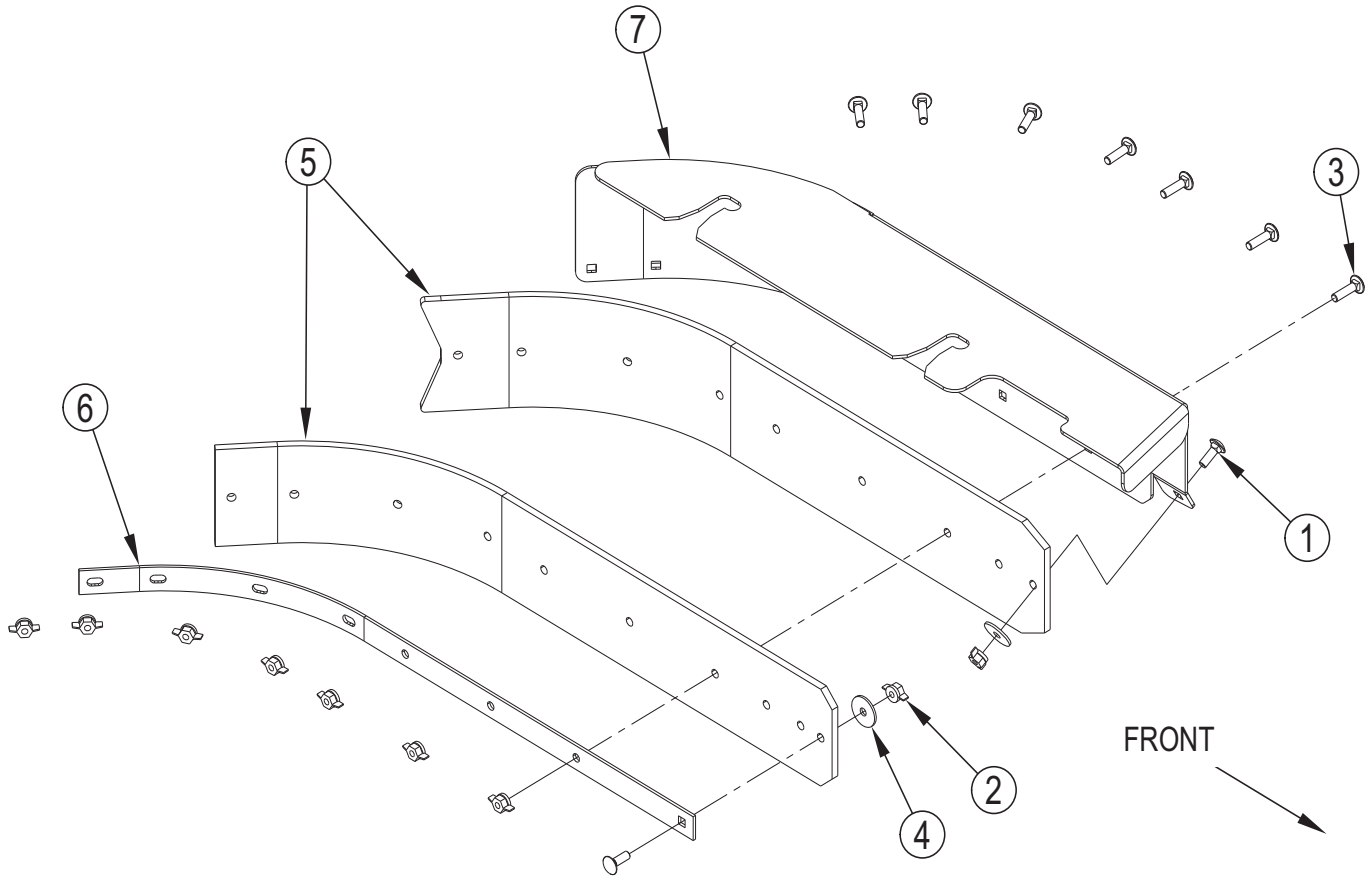
BRUSH SKIRT ASSEMBLY-RH

Kit	Item	Ref. No.	Qty	Description
		56123283	1	Brush Skirt Assy-28-34d-Rh-Red
	1	56003715	2	Scr-Carriage Ss 1/4-20 X .75
	2	56003824	9	Nut- Wing Plastic Loc 1/4-20
	3	56003828	7	Scr-Carriage
	4	56009060	2	Wsh-Fit Ss .260 X 1.000 X .074
	5	56016163	1	Decal. No Step
	6	56383488	1	Skirt Blade Kit-Gum NOTE 1
	*	56383489	1	Skirt Blade Kit-Red Gum NOTE 1
	*	56383490	1	Skirt Blade Kit-Pu NOTE 1
	7	56601040	1	Retainer-Skirt
	8	56601041	1	Frame-Skirt Rh

* = Optional, Not Included

NOTE 1: All disc deck blade kits include all side skirt blades.

BRUSH SKIRT ASSEMBLY-LH



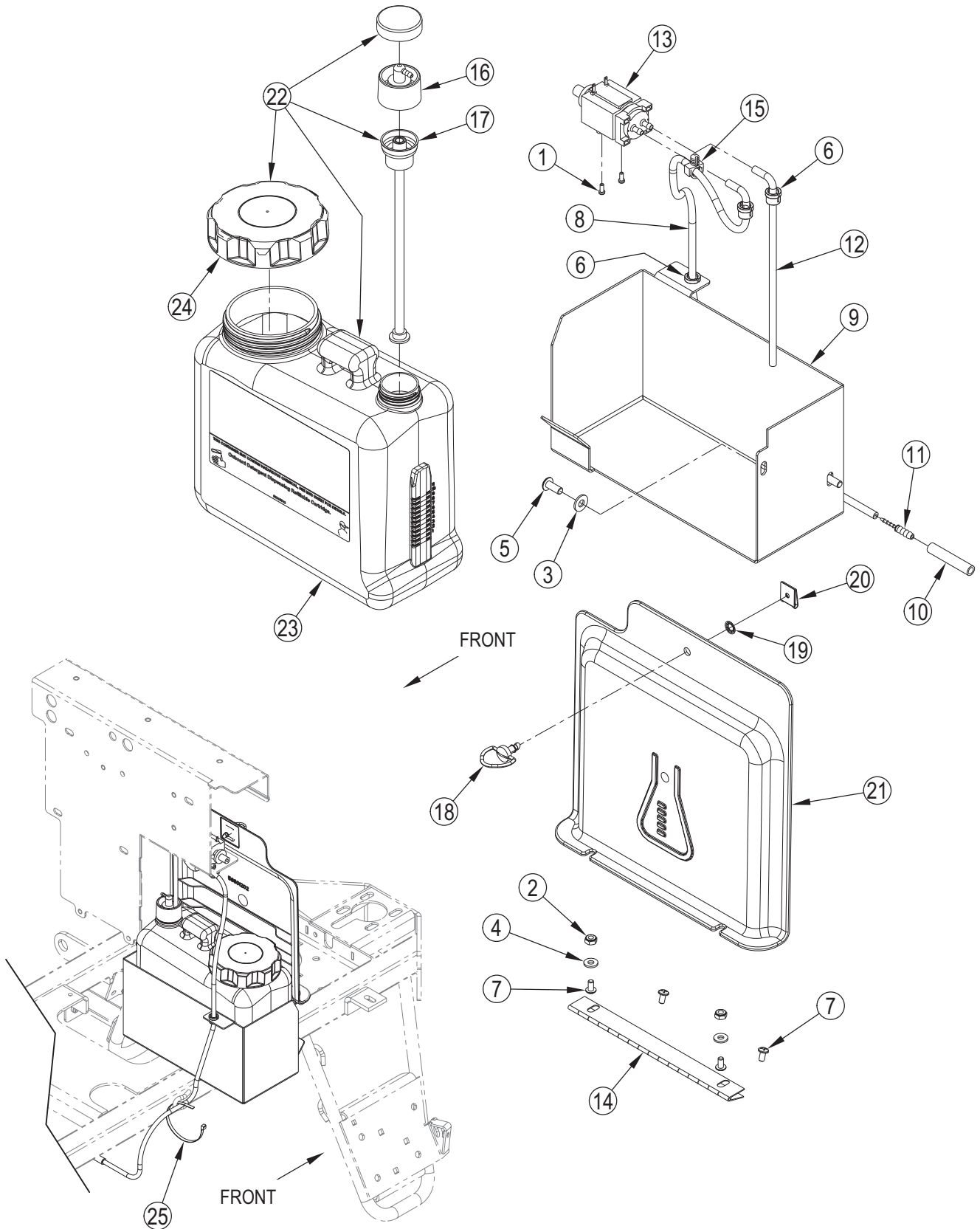
BRUSH SKIRT ASSEMBLY-LH

Kit	Item	Ref. No.	Qty	Description
		56123284	1	Brush Skirt Assy-28-34d-Lh-Red
	1	56003715	2	Scr-Carriage Ss 1/4-20 X .75
	2	56003824	9	Nut- Wing Plastic Loc 1/4-20
	3	56003828	7	Scr-Carriage
	4	56009060	2	Wsh-Flt Ss .260 X 1.000 X .074
	5	56383488	1	Skirt Blade Kit-Gum NOTE 1
	*	56383489	1	Skirt Blade Kit-Red Gum NOTE 1
	*	56383490	1	Skirt Blade Kit-Pu NOTE 1
	6	56601040	1	Retainer-Skirt
	7	56601043	1	Frame-Skirt Lh 28

* = Optional, Not Included

NOTE 1: All disc deck blade kits include all side skirt blades.

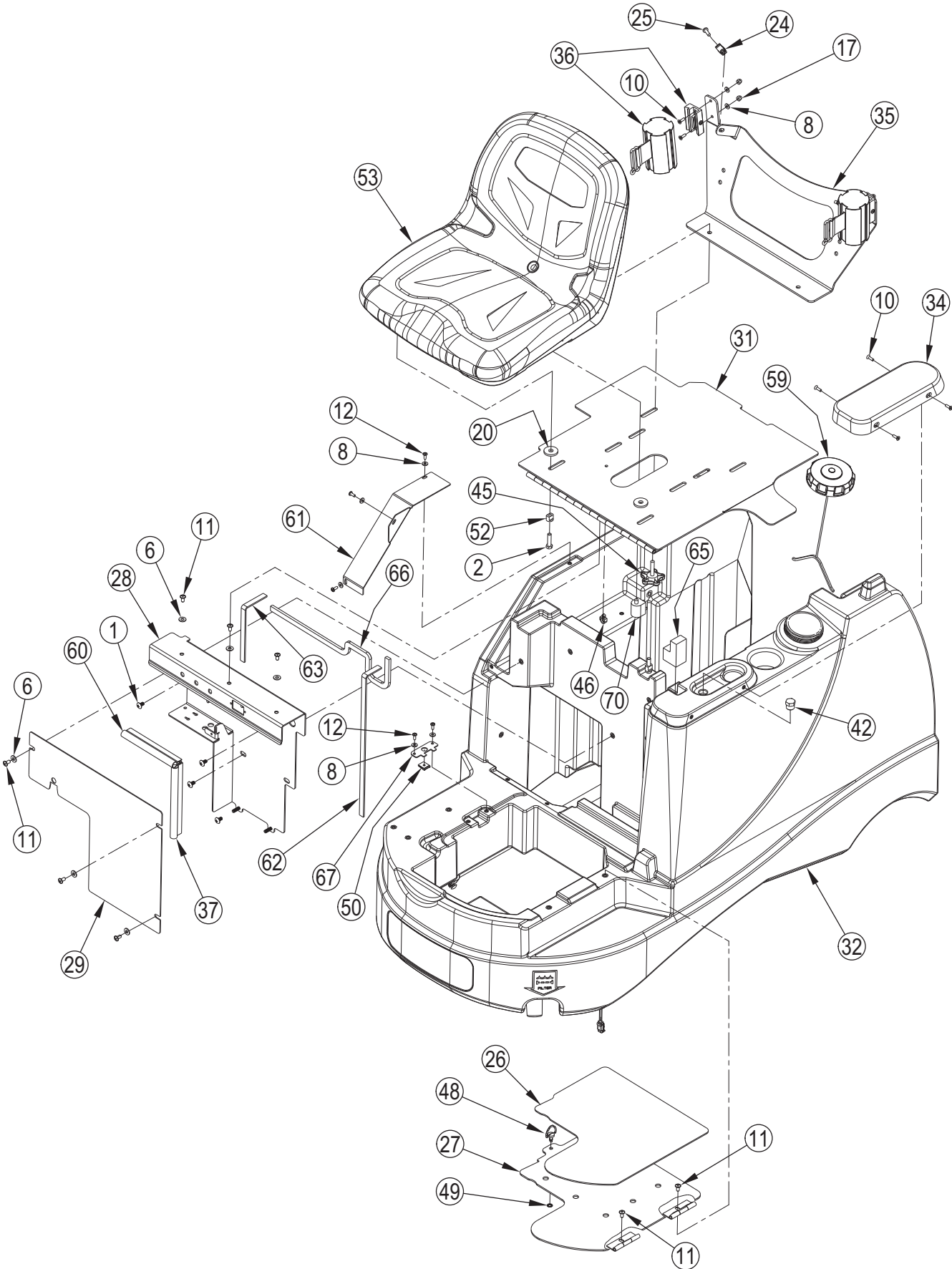
DETERGENT DISPENSING SYSTEM



DETERGENT DISPENSING SYSTEM

Kit	Item	Ref. No.	Qty	Description
	1	56002539	2	Scr. Pan Phil Thd Form 6-32 X .31
	2	56002849	2	Nut, Hex Nyl Loc-Thin Ss 10-24
	3	56002859	2	Wsh-Flt Sae Ss 1/4
	4	56002916	4	Wsh-Flt Sae Ss #10
	5	56002989	2	Scr-Pan Phil Ss 1/4-20 X .62
	6	56003699	3	Bushing, 1/4 Id Snub
	7	56003913	4	Scr-Pan Phil Loc Ss 10-24 X .38
	8	56111511	1	Hose, Chem Resistant
	9	56123084	1	Bracket-Chemical Tank
	10	56314976	1	Hose,Chem Resistant, 2"
	11	56314982	1	Reducer,Barb
	12	56314991	1	Hose, Chem Resistant 14"
	13	56315241	1	Pump, Chemical
	14	56315285	1	Hinge
	15	56315382	1	Clip, Conduit
	16	56315523	1	Cap Dry Break 1/8 Barb
	17	56315527	1	Insert, Dry Break
	18	56380132	1	Latch-1/4 Turn
	19	56380137	1	Retainer
	20	56380141	1	Nut, Clamp
	21	56601202	1	Chemcial Bottle Cover
	22	56601545	1	Chem Bottle Assy-Ecoflex
	23	56601544	1	Chemical Bottle Assy
	24	9100001512	1	Cap Plastic F Chemical Tank
	25	56383973	1	Cable Tie-Black

SOLUTION SYSTEM-1



SOLUTION SYSTEM-1

Kit	Item	Ref. No.	Qty	Description
	1#	56001812	3	Scr Trss Phil 1/4-20 X .50 Blk
	2	56001834	3	Scr-Hex 5/16-18 X 1.25
	3	56002491	1	Nut-Hex Nyl Loc Ss 1/4-20
	4	56002667	4	Scr-Hex 5/16-18 X .75
	5#	56002849	1	Nut, Hex Nyl Loc-Thin Ss 10-24
	6	56002859	7	Wsh-Fit Sae Ss 1/4
	7	56002894	4	Scr-Pan Phil Ss 10-24 X .75
	8	56002916	13	Wsh-Fit Sae Ss #10
	9	56002935	1	Scr-Hex Loc Ss 1/4-20 X .50
	10	56003056	8	Scr-Fit Phil Ss 10-24 X .62
	11	56003119	8	Scr-Pan Phil Ss 1/4-20 X .50
	12	56003400	5	Scr-Pan Phil Loc Ss 10-24 X .50
	13	56003426	2	Nut, Hex Nyl Loc Ss M6-1
	14	56003431	2	Scr-Hex Ss M6-1 X 16mm
	15	56003715	1	Scr-Carriage Ss 1/4-20 X .75
	16#	56003913	3	Scr-Pan Phil Loc Ss 10-24 X .38
	17	56009061	4	Nut, Acorn Ss 10x24
	18	56009064	1	Wsh, Int Shprf 1/4
	19	56009122	4	Wsh, Flt .344 X .938 X .125
	20	56009195	2	Wsh-Fit .406 X 1.25 X .164
	21	56051207	1	Barb, Adapter 3/8 X 1/2 Npt
	22	56104572	1	Solenoid Valve Assy L5, NOTE 1
	23	56104588	1	Pump-24vdc M8, NOTE 2
	[]	56104726	1	Port Kit-Pump-3/8 Qd Elbows
	24	56116789	2	U-Nut-Long M6
	25	56116800	2	Screw M6x20 Wn1451 Black Zn
	26	56123028	1	Mat-Floor
	27	56123029	1	Cover Weldment
	28	56123060	1	Electrical Panel Weldment
	29	56123068	1	Cover-Elec Compartment
	30	56123079	1	Bracket-Valve
	31	56123093	1	Seat Panel Weldment
	32	56123095	1	Solution Tank-W/ Float Hole
K1	33#		1	Switch-Float-Vertical S2 NOTE 3
	34	56123143	1	Cover-Side-Seat
	35	56123188	1	Bracket-Retractable Belt
	36	56123190	2	Belt-Retractable
	37	56123231	1	Seal-Bulb

Kit	Item	Ref. No.	Qty	Description
	38	56219932	5	Clamp- Hose Sae #6
	39	56244969	2	Clamp- Hose Sae #12
	40	56255076	1	Cap, Pipe Ght Nylon
	41	56261265	1	Hose, .75 Clear Pvc, 25.00
	42	56305547	1	Plug, 1/2 Hex Pipe
	43	56314757	1	Barb, 90 Elbow 3/4 X 1/2npt
	44	56315296	1	Solution Filter
	45	56315374	1	Knob, 5/16
	46	56315382	1	Clip, Conduit
	47	56368776	1	Washer-Rubber
	48	56380132	1	Latch-1/4 Turn
	49	56380137	1	Retainer
	50	56380141	1	Nut, Clamp
	51	56381475	1	Ball Valve
	52	56383230	3	Flanged Bushing Seat
	53	56394342	1	Seat-Mid Back-11.25in Mount
	54	56395870	1	Hose, Spiral, .50 X 39.00
	55	56410223	1	Clamp, P
	56	56412182	2	Coupling-1/2npt To 1/2npt
	57	56412187	1	Solution Drain Hose
	58	56456830	1	Tube 3/8 X 10.00 E00603
	59	56510442	1	Cap-Extra Vent
	60	56601252	1	Gasket
	61	56601268	1	Plate
	62	56601569	1	Gasket
	63	56601570	1	Gasket
	64	56601598	2	Hose Clip
	65	56601600	1	Foam Insert
	66	56601685	1	Gasket
	67	56601843	1	Plate
	68	56900036	1	Barb, 90 Elbow 3/8 X 1/4npt
	69	56900273	1	Barb, Adapter 3/4 X 3/4ght
	70	7-82-00050	1	Switch, Seat S3

Service Kits

K1	56123245	1	Float Switch Kit S2
----	----------	---	----------------------------

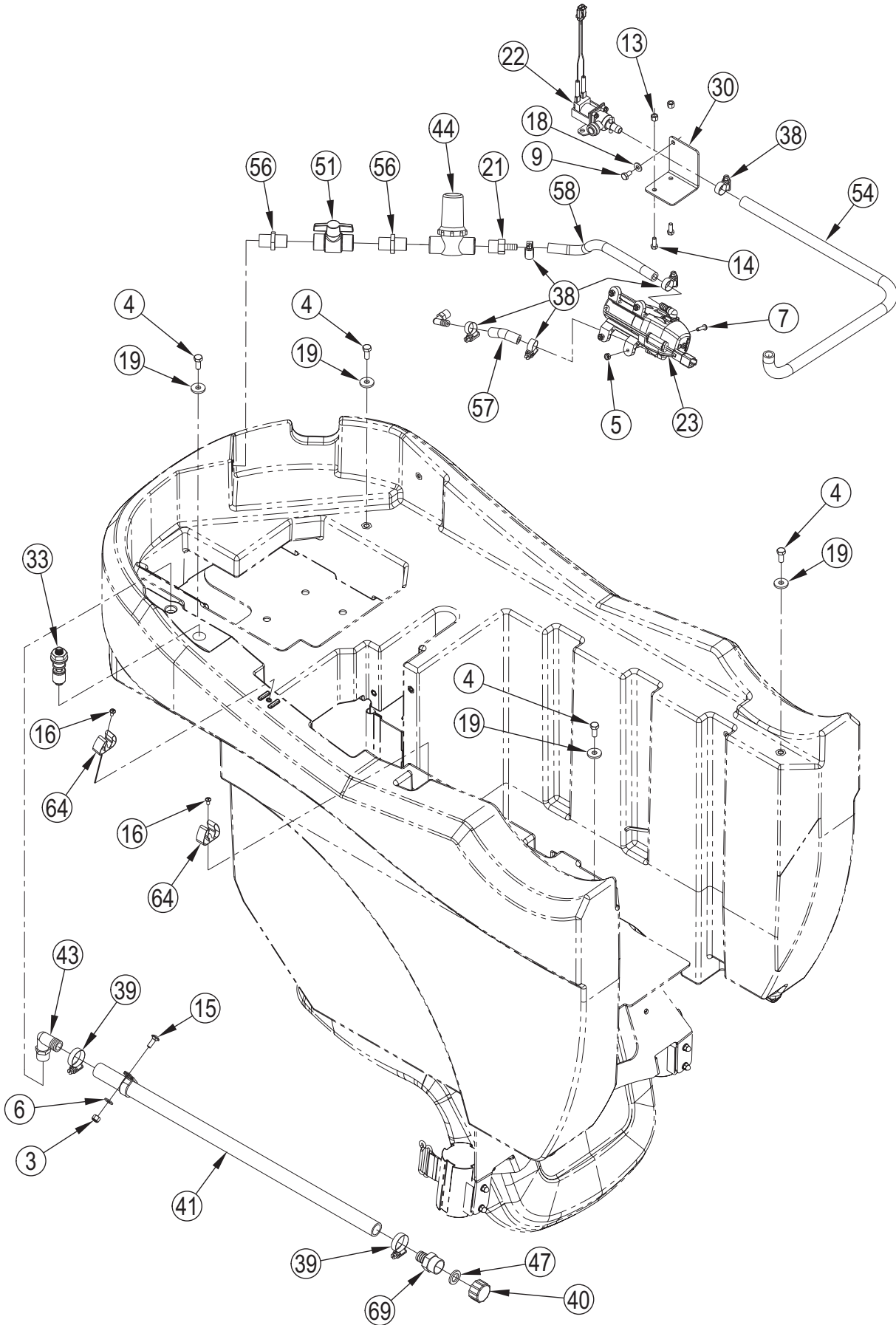
= Revised or new since last update

NOTE 1: Item 22 Is also referred to as **SOLUTION SOLENOID**

NOTE 2: Item 23 Is also referred to as **SOLUTION PUMP**

NOTE 3: Item 33 Is also referred to as **SOLUTION FLOAT SWITCH**

SOLUTION SYSTEM-2



SOLUTION SYSTEM-2

Kit	Item	Ref. No.	Qty	Description
	1#	56001812	3	Scr Trss Phil 1/4-20 X .50 Blk
	2	56001834	3	Scr-Hex 5/16-18 X 1.25
	3	56002491	1	Nut-Hex Nyl Loc Ss 1/4-20
	4	56002667	4	Scr-Hex 5/16-18 X .75
	5#	56002849	1	Nut, Hex Nyl Loc-Thin Ss 10-24
	6	56002859	7	Wsh-Fit Sae Ss 1/4
	7	56002894	4	Scr-Pan Phil Ss 10-24 X .75
	8	56002916	13	Wsh-Fit Sae Ss #10
	9	56002935	1	Scr-Hex Loc Ss 1/4-20 X .50
	10	56003056	8	Scr-Fit Phil Ss 10-24 X .62
	11	56003119	8	Scr-Pan Phil Ss 1/4-20 X .50
	12	56003400	5	Scr-Pan Phil Loc Ss 10-24 X .50
	13	56003426	2	Nut, Hex Nyl Loc Ss M6-1
	14	56003431	2	Scr-Hex Ss M6-1 X 16mm
	15	56003715	1	Scr-Carriage Ss 1/4-20 X .75
	16#	56003913	3	Scr-Pan Phil Loc Ss 10-24 X .38
	17	56009061	4	Nut, Acorn Ss 10x24
	18	56009064	1	Wsh, Int Shprf 1/4
	19	56009122	4	Wsh, Flt .344 X .938 X .125
	20	56009195	2	Wsh-Fit .406 X 1.25 X .164
	21	56051207	1	Barb, Adapter 3/8 X 1/2 Npt
	22	56104572	1	Solenoid Valve Assy L5, NOTE 1
	23	56104588	1	Pump-24vdc M8, NOTE 2
	[]	56104726	1	Port Kit-Pump-3/8 Qd Elbows
	24	56116789	2	U-Nut-Long M6
	25	56116800	2	Screw M6x20 Wn1451 Black Zn
	26	56123028	1	Mat-Floor
	27	56123029	1	Cover Weldment
	28	56123060	1	Electrical Panel Weldment
	29	56123068	1	Cover-Elec Compartment
	30	56123079	1	Bracket-Valve
	31	56123093	1	Seat Panel Weldment
	32	56123095	1	Solution Tank-W/ Float Hole
K1	33#		1	Switch-Float-Vertical S2 NOTE 3
	34	56123143	1	Cover-Side-Seat
	35	56123188	1	Bracket-Retractable Belt
	36	56123190	2	Belt-Retractable
	37	56123231	1	Seal-Bulb
	38	56219932	5	Clamp- Hose Sae #6

Kit	Item	Ref. No.	Qty	Description
	39	56244969	2	Clamp- Hose Sae #12
	40	56255076	1	Cap. Pipe Ght Nylon
	41	56261265	1	Hose, .75 Clear Pvc, 25.00
	42	56305547	1	Plug, 1/2 Hex Pipe
	43	56314757	1	Barb, 90 Elbow 3/4 X 1/2npt
	44	56315296	1	Solution Filter
	45	56315374	1	Knob, 5/16
	46	56315382	1	Clip, Conduit
	47	56368776	1	Washer-Rubber
	48	56380132	1	Latch-1/4 Turn
	49	56380137	1	Retainer
	50	56380141	1	Nut, Clamp
	51	56381475	1	Ball Valve
	52	56383230	3	Flanged Bushing Seat
	53	56394342	1	Seat-Mid Back-11.25in Mount
	54	56395870	1	Hose, Spiral, .50 X 39.00
	55	56410223	1	Clamp, P
	56	56412182	2	Coupling-1/2npt To 1/2npt
	57	56412187	1	Solution Drain Hose
	58	56456830	1	Tube 3/8 X 10.00 E00603
	59	56510442	1	Cap-Extra Vent
	60	56601252	1	Gasket
	61	56601268	1	Plate
	62	56601569	1	Gasket
	63	56601570	1	Gasket
	64	56601598	2	Hose Clip
	65	56601600	1	Foam Insert
	66	56601685	1	Gasket
	67	56601843	1	Plate
	68	56900036	1	Barb, 90 Elbow 3/8 X 1/4npt
	69	56900273	1	Barb, Adapter 3/4 X 3/4ght
	70	7-82-00050	1	Switch, Seat S3

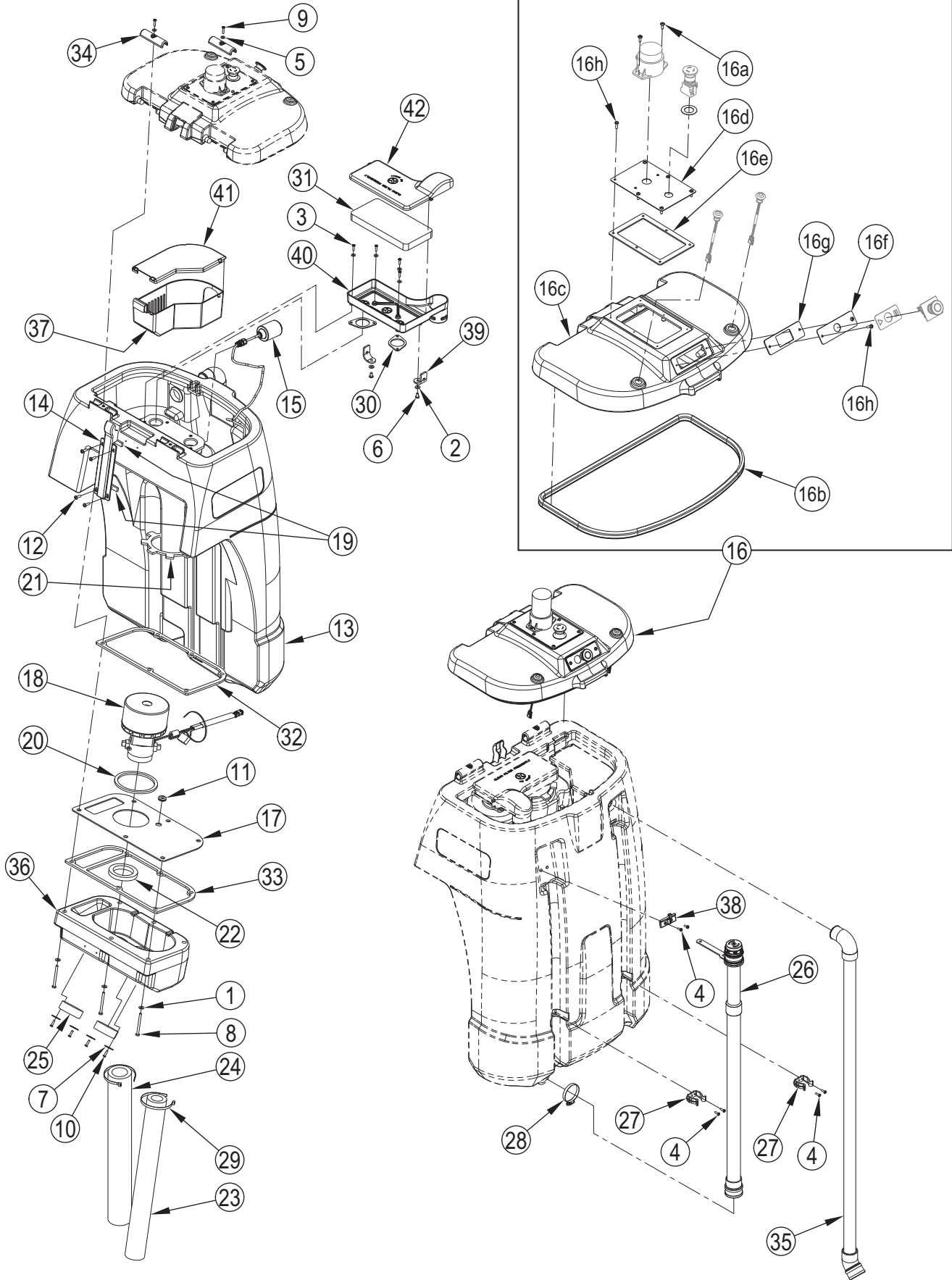
Service Kits

K1	56123245	1	Float Switch Kit S2
----	----------	---	----------------------------

= Revised or new since last update

NOTE 1: Item 22 Is also referred to as **SOLUTION SOLENOID****NOTE 2:** Item 23 Is also referred to as **SOLUTION PUMP****NOTE 3:** Item 33 Is also referred to as **SOLUTION FLOAT SWITCH**

RECOVERY SYSTEM



RECOVERY SYSTEM

Kit	Item	Ref. No.	Qty	Description
	1	56002098	6	Wsh, Flt Sae 1/4
	2	56002859	2	Wsh-Flt Sae Ss 1/4
	3	56002894	4	Scr-Pan Phil Ss 10-24 X .75
	4	56002896	6	Scr-Pan Phil Ss 10-24 X .62
	5	56002916	6	Wsh-Flt Sae Ss #10
	6	56003799	2	Scr.Pan Phil Plastite
	7	56003817	4	Wsh-Flt Ss .281 X 1.25 X .05
	8	56003867	6	Scr-Hex Hd Loc 1/4-20 X 3.00
	9	56003951	2	Scr-Pan Phil Loc Ss 10-24x .88
	10	56009005	4	Scr.Pan Phil Ss Type B
	11	56056551	1	Grommet
	12	56116800	4	Screw M6x20 Wn1451 Black Zn
	13	56123107	1	Tank-Recovery-Sc60
	14	56123110	1	Cover-Recovery-Wiring
K1	15#		1	Switch-Float Nc Mechanical S1, NOTE 2
	16		1	Recovery Lid Assembly
	16a	56004019	2	Scr M5x16 Iso7380-2 Flg Blk
	16b	56114185	1	Gasket-Recovery Tank
	16c	56123106	1	Lid-Recovery-Sc60
	16d	56123109	1	Plate-Switch-Sc60
	16e	56123111	1	Gasket-Switch Plate
	16f	56123115	1	Plate-Start/Pause
	16g	56123144	1	Gasket-Start/Pause
	16h	302003704	8	Screw Ejot Delta Pt50x18wn1451
	17	56123140	1	Plate-Vacuum-Sc60
	18	56123141	1	Motor-Vacuum-24vdc M4, NOTE 1
		56397098	1	Carbon Brush Set Of 2 for 56123141
	19	56123177	2	Gasket-Channel
	20	56212143	1	Gasket, Vacuum Duct

Kit	Item	Ref. No.	Qty	Description
	21	56264103	1	Gasket, Vacuum Motor
	22	56314760	1	Gasket, Vacuum Duct
	23	56315375	1	Foam, Acoustical
	24	56315847	1	Foam Tube Assembly
	25	56344168	2	Filter
	26	56383319	1	Drain Hose Assy-1.5
	27	56407361	2	Clamp, Plastic
	28	56440213	1	Clamp- Hose Sae #32
	29	56477613	2	Tie, Cable
	30	56601121	2	Gasket, Vac Filter
	31	56601125	1	Filter
	32	56601126	1	Gasket, Exhaust
	33	56601127	1	Gasket, Vac
	34	56601128	2	Hinge Clamp
	35	56601136	1	Hose-Rec-1.5 X 46
	36	56601137	1	Cover, Vac Motor
	37	56601138	1	Strainer Basket
	38	56601204	1	Hook, Drain Hose
	39	56601250	2	Strap, Filter Cover
	40	56601253	1	Filter Box
	41	56601421	1	Cover, Debris
	42	56601451	1	Cover Fltr Box W/Gskt

Service Kits

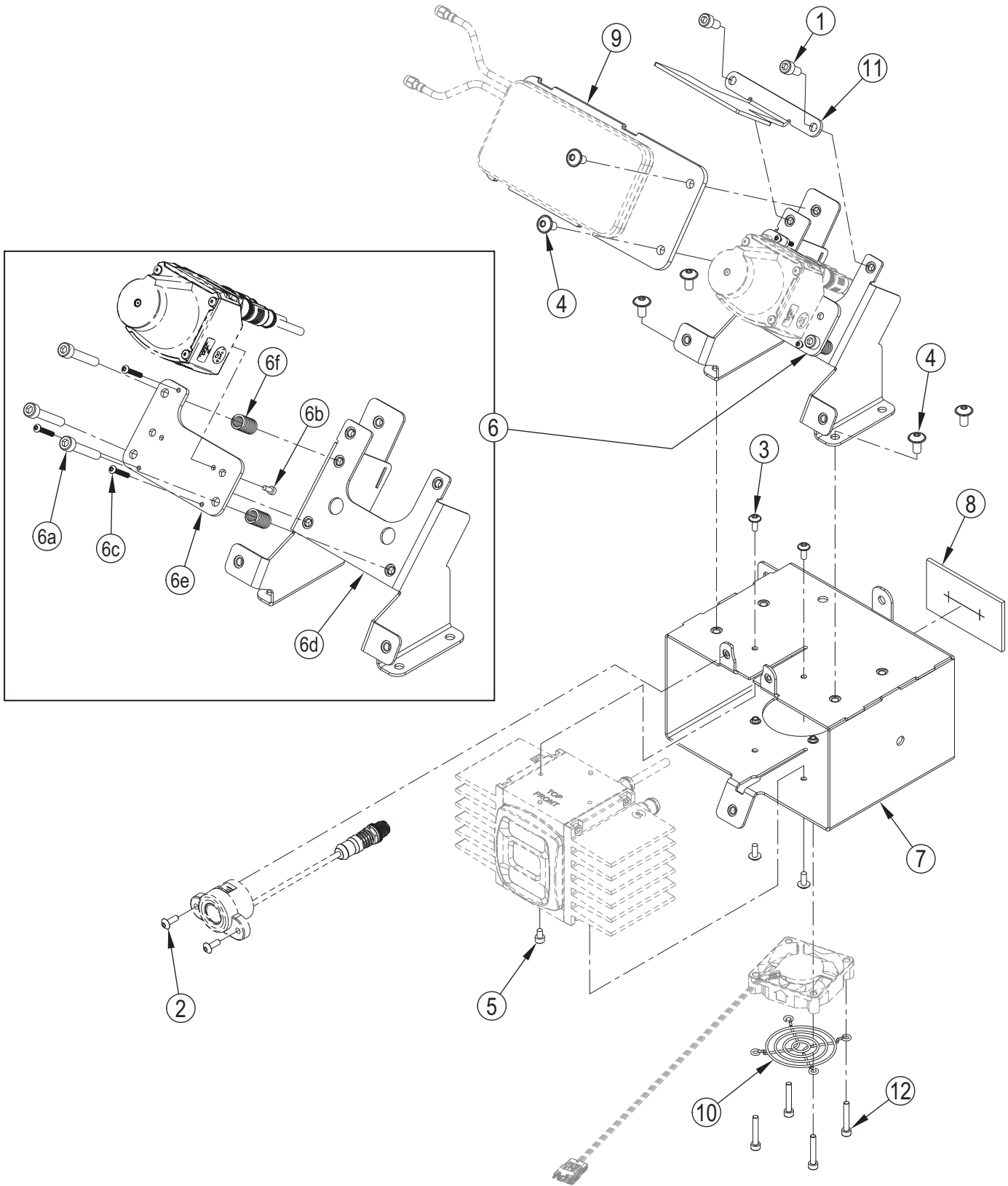
K1#	56123342	1	Recovery Float Switch Kit
-----	----------	---	---------------------------

= Revised or new since last update

NOTE 1: Item 18 Is also refered to as **VACUUM MOTOR**

NOTE 2: Item 15 Is also refered to as **RECOVERY FLOAT SWITCH**

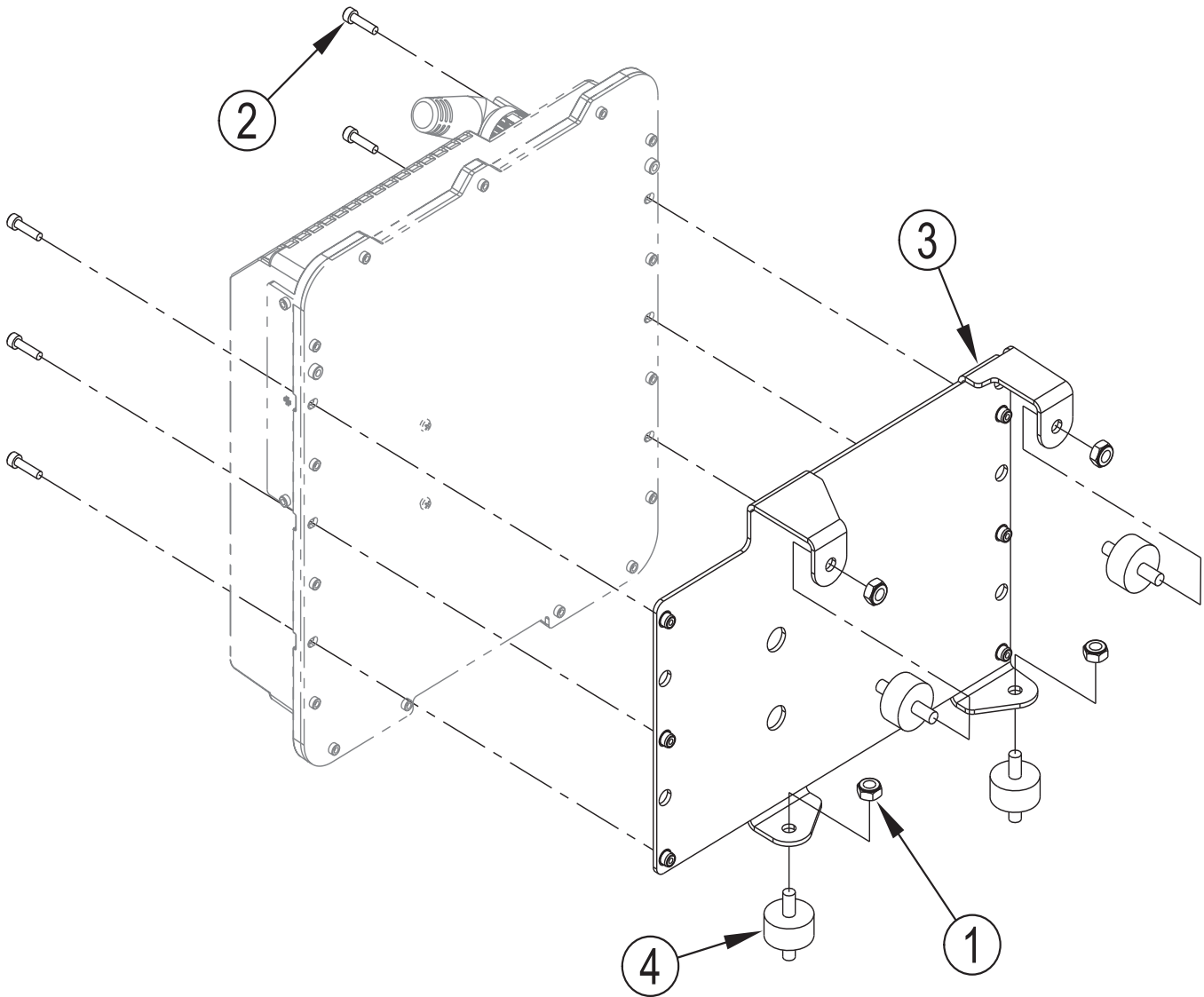
SENSOR ASSEMBLY



SENSOR ASSEMBLY

Kit	Item	Ref. No.	Qty	Description
			1	Sensor Assy
	1	56003357	2	Scr Soc Thd To Hd M6 X 12.0
	2	56003997	2	Scr-Button Soc Ss M4-0.7x12
	3	56004097	4	Scr Trx M4x10 Bk Zc W/Thd Lck
	4	56004100	6	Scr Trx M6x12 W/Thd Lck Blk
	5	56004165	1	Scr M4x6 Skt Din912 Znc Stl
	6	56123033	1	Slanted Lidar Assy
	6a		3	Scr Soc M6-1.0x35
	6b	56004168	2	Scr M3x8 Skt Din912 Znc Stl
	6c		3	Scr M3x20 Bttn Iso7380 Stl Znc
	6d		1	Slanted Lidar Weldment
	6e		1	Plate-Mounting-Slanted Lidar
	6f		3	Spring Comp E00453
	7	56123034	1	Sensor Mounting Weldment
	8	56123040	1	Seal-Cable
K1	9		1	Antenna Assembly
	10	56123044	1	Guard-Fan-60mm
	11	56123179	1	Bracket-Interference Target
	12	9096333000	4	Screw M4x25 Cap Hd Hex Sock Iso4762
	Service Kits			
K1	56123250		1	Cellular Antenna Kit

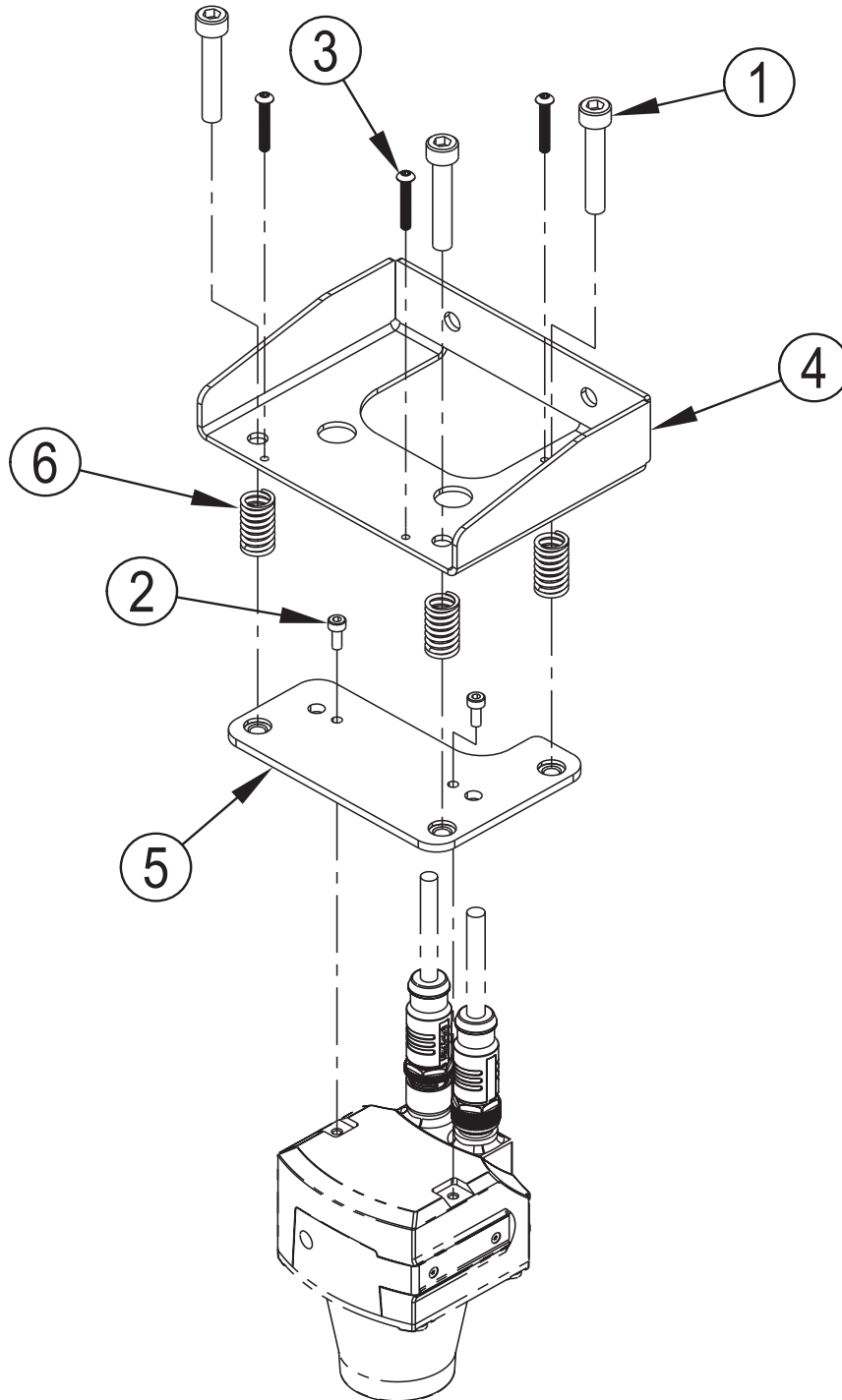
CONTROLLER ASSEMBLY



CONTROLLER ASSEMBLY

Kit	Item	Ref. No.	Qty	Description
			1	Controller Assy
	1	56002840	4	Nut, Hex Nyl Loc-Thin 1/4-20
	2	56004167	6	Scr M4x16 Skt Din912 Znc Stl
	3	56123163	1	Bracket-Controller Mounting
	4	56507575	4	Isolator

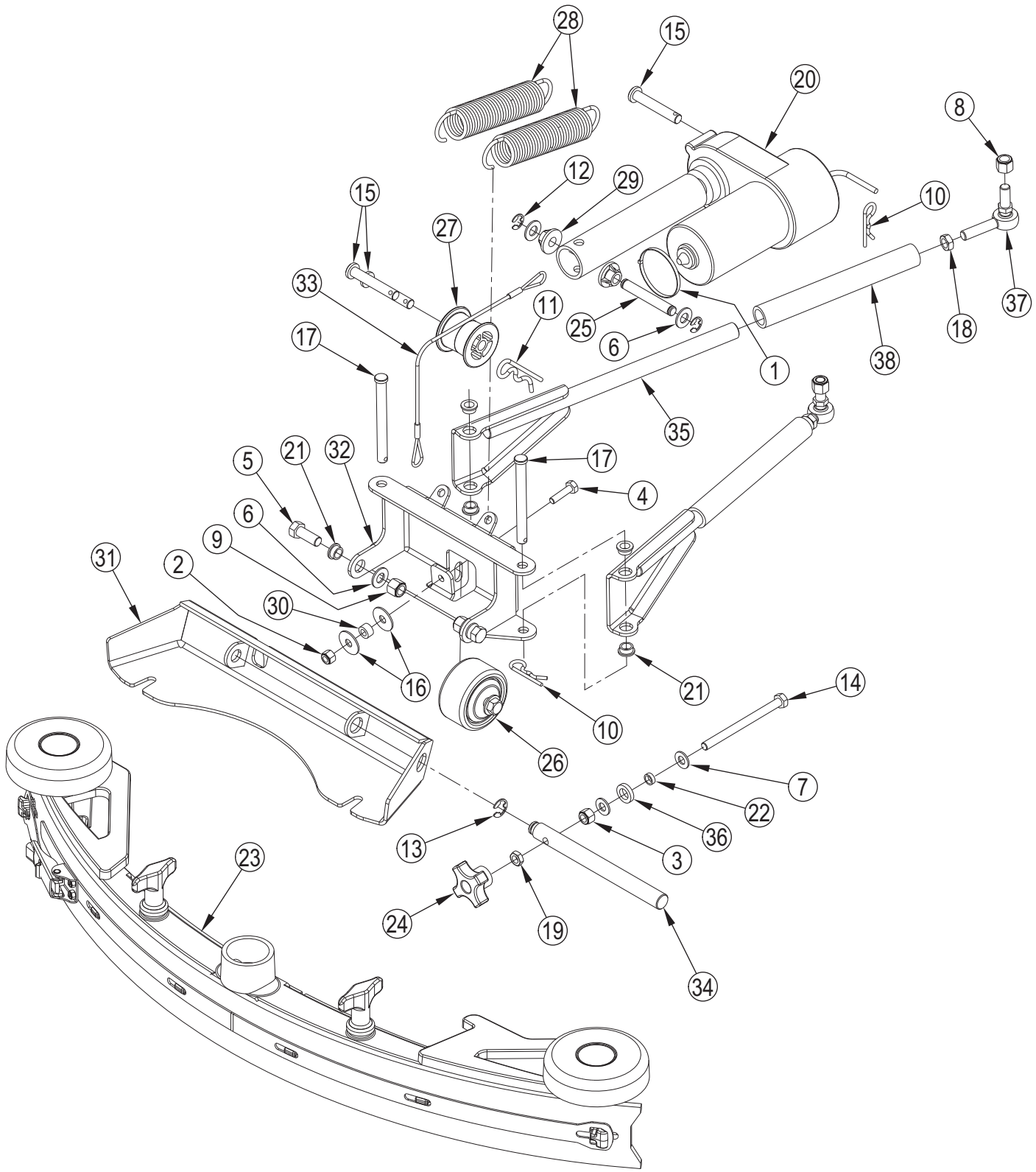
HORIZONTAL LIDAR ASSEMBLY



HORIZONTAL LIDAR ASSEMBLY

Kit	Item	Ref. No.	Qty	Description
		56123026	1	Horizontal Lidar Assembly
	1		3	Scr Soc M6-1.0x35
	2	56004168	2	Scr M3x8 Skt Din912 Znc Stl
	3	56004170	3	Scr M3x20 Btn Iso7380 Stl Znc
	4		1	Bracket-Horizontal Lidar
	5		1	Plate-Mounting-Horz Lidar
	6		3	Spring Comp E00453

SQUEEGEE SYSTEM



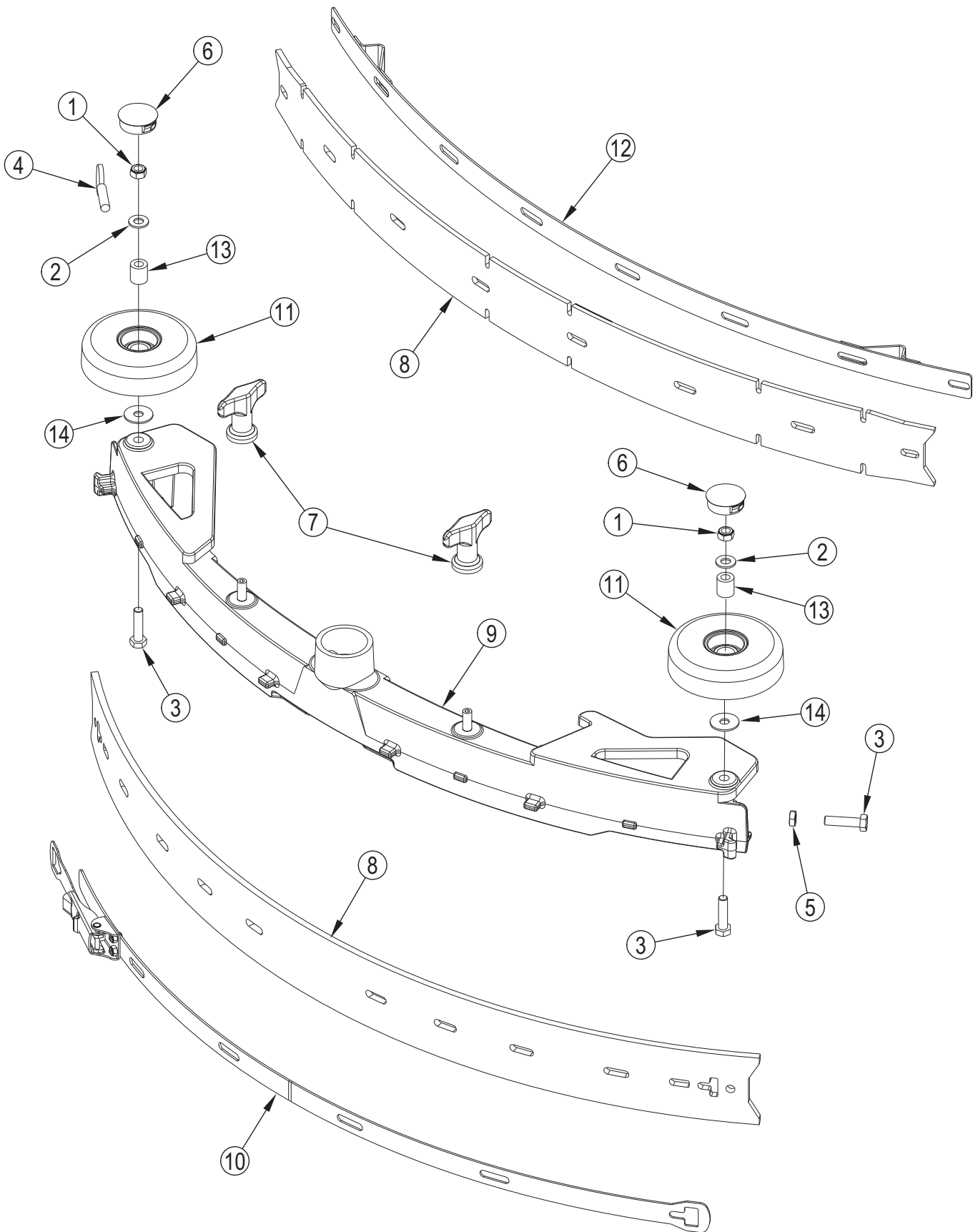
SQUEEGEE SYSTEM

Kit	Item	Ref. No.	Qty	Description
	1	699202	1	Wire Tie
	2	56002491	1	Nut-Hex Nyl Loc Ss 1/4-20
	3	56002856	1	Nut-Hex Nyl Loc Ss 5/16-18
	4	56002883	1	Scr- Hex Ss 1/4-20 X 1.00
	5	56002886	2	Scr- Hex Ss 3/8-16 X 1.00
	6	56002910	4	Wsh-Flt Sae Ss 3/8
	7	56002938	2	Wsh-Flt Sae Ss 5/16
	8	56002951	2	Nut, Hex Nyl Loc 3/8-24
	9	56003219	2	Nut-Hex Nyl Loc Ss 3/8-16
	10	56003222	3	Pin, Cotter Hair
	11	56003223	1	Pin, Cot Hair .148 X Dia .62/1.00
	12	56003262	2	Ring, Ret Ext Type E 0.38 Dia
	13	56003264	1	Ring, Ret Ext Type E 0.50 Dia
	14	56003486	1	Scr,Hex Thd To Hd Ss
	15	56003656	3	Clevis Pin
	16	56003696	2	Wsh-Flt Ss .33 X 1.00 X.060
	17	56003713	2	Clevis Pin
	18	56009103	2	Nut-Hex Jam Unf
	19	56009141	1	Nut-Hex Jam Ss
	20	56123103	1	Actuator- Motor 24v M6, NOTE 2
	21	56324505	6	Bearing Flange.376e00201
	22	56381818	1	Bushing .32x.44x.14
	23	56390865	1	Squeegee Assembly 28 NOTE 1
	24	56407303	1	Knob
	25	56412088	1	Pin
	26	56412124	1	Wheel
	27	56412208	1	Roller
	28	56412216	2	Spring, Extension
	29	56412248	2	Spacer, Squeegee Cable
	30	56453691	1	Spacer
	31	56601037	1	Weldt-Squeegee Mount
	32	56601038	1	Weldt-Squeegee Pivot
	33	56601257	1	Cable Assembly
	34	56601442	1	Shaft
	35	56601460	2	Bar Weldment
	36	56601463	1	Washer, Polyurethane
	37	56601469	2	Rod End
	38	56601512	2	Hose

NOTE 1: The squeegee assembly includes Red Gum Rubber Blades.

NOTE 2: Item 20 Is also referred to as **SQUEEGEE ACTUATOR**

SQUEEGEE SYSTEM SQUEEGEE ASSEMBLY



SQUEEGEE SYSTEM SQUEEGEE ASSEMBLY

Kit	Item	Ref. No.	Qty	Description
		56390865	1	Squeegee Assembly 28 NOTE 2
	1	56002851	2	Nut, Hex Nyl Loc-Thin Ss 5/16-18
	2	56002938	2	Wsh-Flt Sae Ss 5/16
	3	56003302	3	Scr,Hex Thd To Hd Ss
	4	56003792	1	Scr, Thumb Ss 5/16-18 X 1.25
	5	56009141	1	Nut-Hex Jam Ss
	6	56111444	2	Button Plug-1.25
	7	56370711	2	Nut Thumb
	8#	56120334	1	Squeegee Blade Kit-Linatex-M NOTE 1
	*#	56120335	1	Squeegee Blade Kit-Gum-M NOTE 1
	*#	56120336	1	Squeegee Blade Kit-PU-M NOTE 1
	9	56382686	1	Squeegee-Casting 28 In
	10	56382697	1	Clamp-Band 28 In Assy
	11	56601450	2	Wheel, 4.00 Od
	12	56601489	1	Front Strap Weldment
	13	56601499	2	Bushing, Nylon
	14#	56003696	2	Wsh Flat Ss .33 X 1.00 X .060

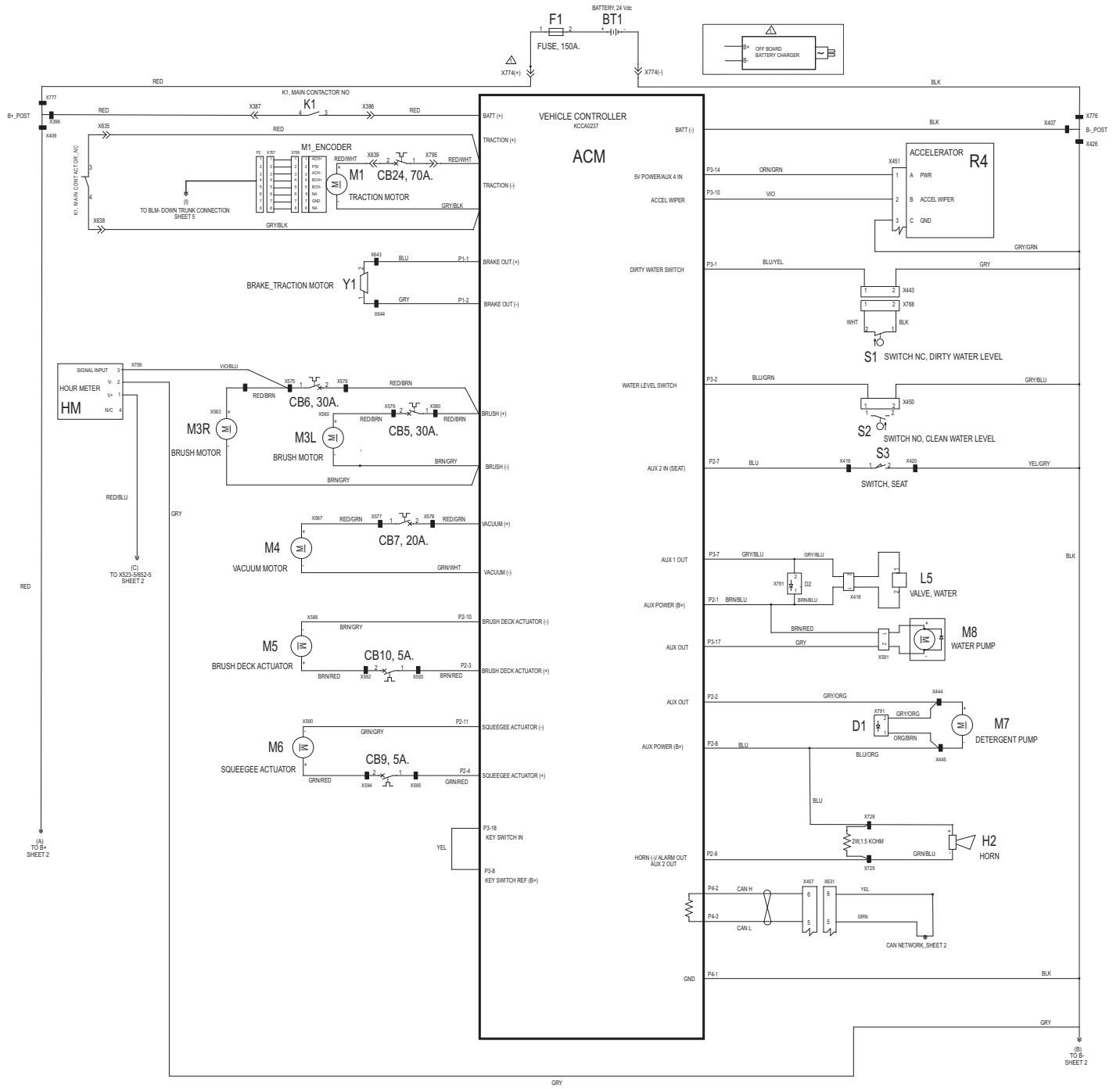
* = Optional, Not Included

= Revised or new since last update

NOTE 1: All squeegee blade kits include both front and rear squeegee blades.

NOTE 2: These squeegee assemblies include red gum rubber blades. The squeegee Tool casting is not available for sale separately. If you need to replace the casting, please order a complete squeegee assembly.

LADDER DIAGRAM-1

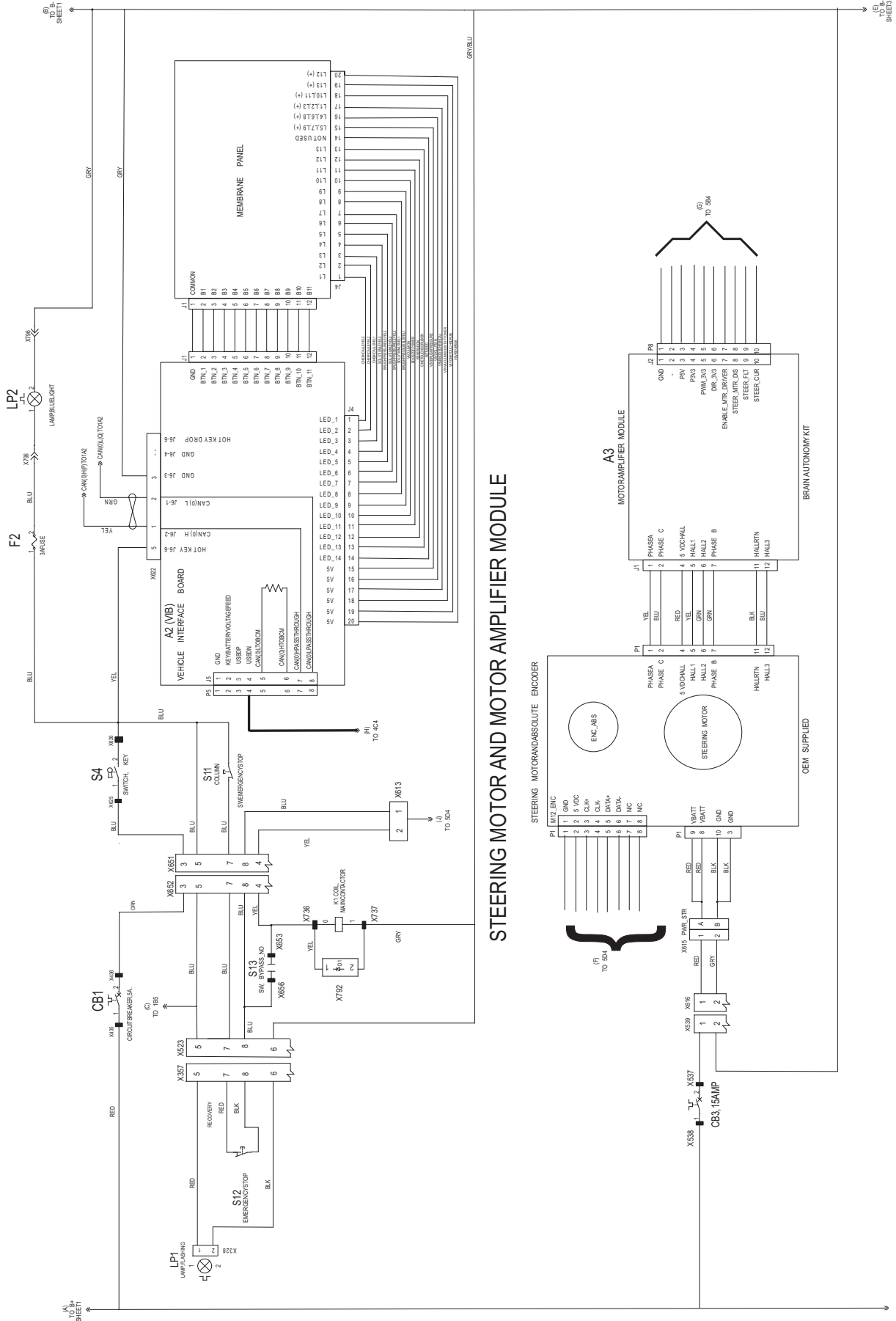


LADDER DIAGRAM-1

Kit	Item	Ref. No.	Qty	Description
	BT1	56123064	1	Battery
	CB1	56315255	1	Circuit Breaker, 5 Amp
	CB2	56507644	1	Circuit Breaker, 10 Amp
	M4	56123141	1	Vacuum Motor
	M5	56123104	1	Deck Actuator
	M6	56123103	1	Squeegee Actuator
	Y1	56123193	1	Em Brake
	L5	56104572	1	Solution Solenoid
	S1	56123113	1	Recovery Float Switch
	S3	7-82-00050	1	Switch, Seat
	S4	56123249	1	Key Switch Kit
	R4	56117557	1	Drive Pedal
	H2	56123271	1	Horn
	HM	56302198	1	Hour Meter Kit
	Lp1	56123286	1	Lamp, Flashing
	M1	56123096	1	Drive Wheel Motor
	M3L	56123129	1	Brush Motor - Left
	M3R	56123129	1	Brush Motor - Right
	M8	56104588	1	Solution Pump
	M9		1	Autonomy Control Module Fan
	M10	56123256	1	Steering Motor
	M11	56123056		Front 3d Obstacle Camera Fan
	K1	56397088	1	Main Contactor
	S2	56123245	1	Solution Float Switch
	S5	56123247	1	Sw E-Stop Rear, Emergency Disconnect
	S6	56123247	1	Sw E-Stop Front, Emergency Disconnect
	S7	56123265	1	Start Pause Button
	S8	56381824	1	Sw Autonomy Bypass
	P10	56123254	1	Front 3d Obstacle Camera
	P14	56123262	1	Left 3d Obstacle Camera
	P2	56123263	1	Right 3d Obstacle Camera
	P9	56123264	1	Front 2d Environment Camera
	P13	56123264	1	Left 2d Environment Camera
	P3	56123264	1	Right 2d Environment Camera
	P6	56123253	1	2d Mapping Lidar
	P7	56123252	1	2d Dropoff Lidar
	ACM	56123255	1	Autonomy Control Module Main Machine Controller
	SC	56123059	1	Steering Controller
	DWAE	56123196	1	Drive Wheel Angle Encoder Wheel Distance Encoder
	P1	56123257	1	Lte Modem
	P1	56123258	1	Lte Modem
	[]	56123250	1	Antenna - Not On Diagram
	ATS	56123251	1	Autonomy Touch Screen
	VIB	56123122	1	Scrub Interface Board (Vib)
	P4	56123074	1	Turn Signal Front Right
	P4	56123074	1	Turn Signal Rear Right
	P12	56123074	1	Turn Signal Front Left
	P12	56123074	1	Turn Signal Rear Left

[] = Not Shown

LADDER DIAGRAM-2



LADDER DIAGRAM-2

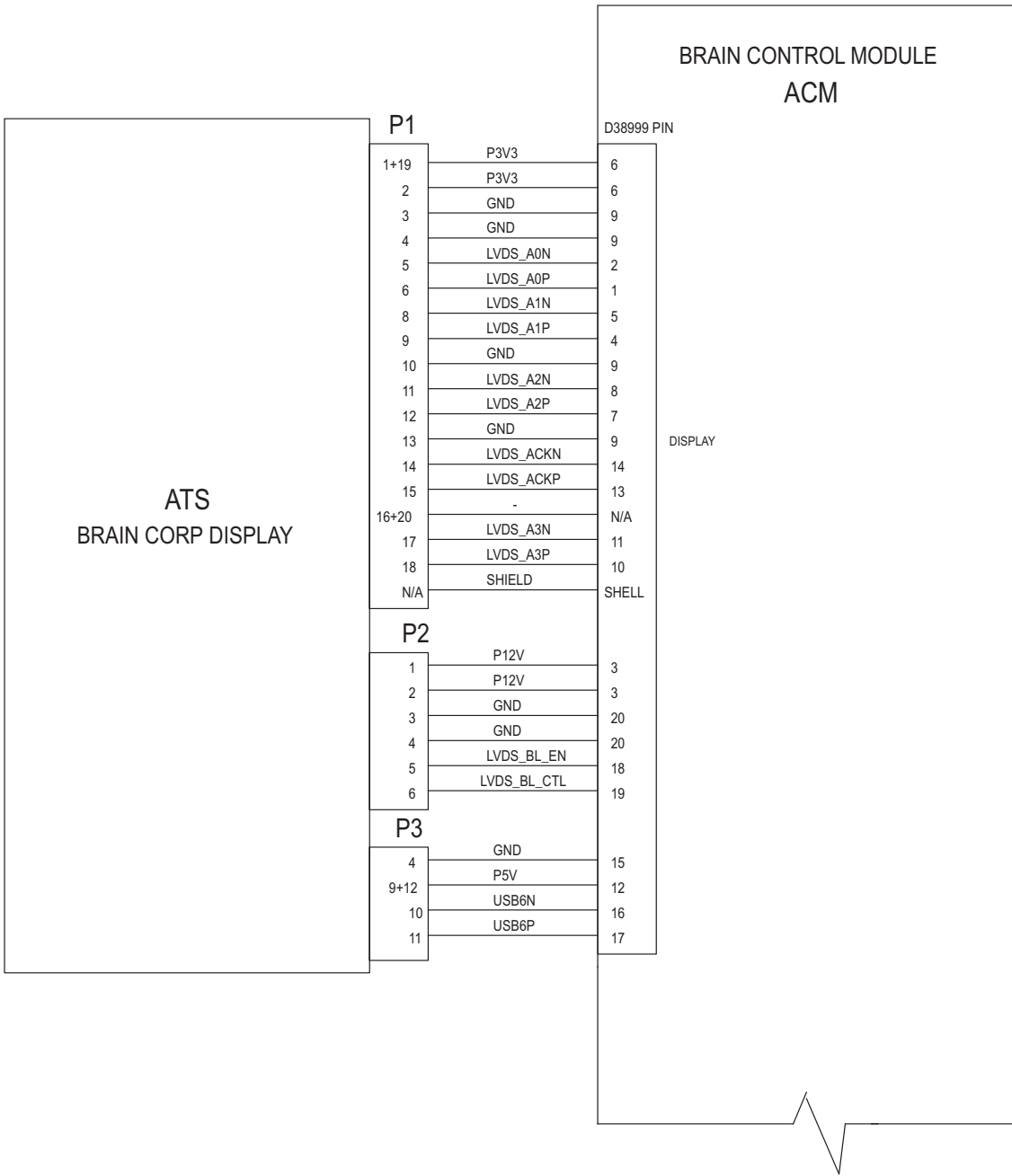
<u>Kit</u>	<u>Item</u>	<u>Ref. No.</u>	<u>Qty</u>	<u>Description</u>
	BT1	56123064	1	Battery
	CB1	56315255	1	Circuit Breaker, 5 Amp
	CB2	56507644	1	Circuit Breaker, 10 Amp
	M4	56123141	1	Vacuum Motor
	M5	56123104	1	Deck Actuator
	M6	56123103	1	Squeegee Actuator
	Y1	56123193	1	Em Brake
	L5	56104572	1	Solution Solenoid
	S1	56123113	1	Recovery Float Switch
	S3	7-82-00050	1	Switch, Seat
	S4	56123249	1	Key Switch Kit
	R4	56117557	1	Drive Pedal
	H2	56123271	1	Horn
	HM	56302198	1	Hour Meter Kit
	Lp1	56123286	1	Lamp, Flashing
	M1	56123096	1	Drive Wheel Motor
	M3L	56123129	1	Brush Motor - Left
	M3R	56123129	1	Brush Motor - Right
	M8	56104588	1	Solution Pump
	M9		1	Autonomy Control Module Fan
	M10	56123256	1	Steering Motor
	M11	56123056		Front 3d Obstacle Camera Fan
	K1	56397088	1	Main Contactor
	S2	56123245	1	Solution Float Switch
	S5	56123247	1	Sw E-Stop Rear, Emergency Disconnect
	S6	56123247	1	Sw E-Stop Front, Emergency Disconnect
	S7	56123265	1	Start Pause Button
	S8	56381824	1	Sw Autonomy Bypass
	P10	56123254	1	Front 3d Obstacle Camera
	P14	56123262	1	Left 3d Obstacle Camera
	P2	56123263	1	Right 3d Obstacle Camera
	P9	56123264	1	Front 2d Environment Camera
	P13	56123264	1	Left 2d Environment Camera
	P3	56123264	1	Right 2d Environment Camera
	P6	56123253	1	2d Mapping Lidar
	P7	56123252	1	2d Dropoff Lidar
	ACM	56123255	1	Autonomy Control Module Main Machine Controller
	SC	56123059	1	Steering Controller
	DWAE	56123196	1	Drive Wheel Angle Encoder Wheel Distance Encoder
	P1	56123257	1	Lte Modem
	P1	56123258	1	Lte Modem
	[]	56123250	1	Antenna - Not On Diagram
	ATS	56123251	1	Autonomy Touch Screen
	VIB	56123122	1	Scrub Interface Board (Vib)
	P4	56123074	1	Turn Signal Front Right
	P4	56123074	1	Turn Signal Rear Right
	P12	56123074	1	Turn Signal Front Left
	P12	56123074	1	Turn Signal Rear Left

[] = Not Shown

LADDER DIAGRAM-3

(D)
TO B+
SHEET 2

(E)
TO B-
SHEET 2



(K)
TO B+
SHEET 4

(L)
TO B-
SHEET 4

LADDER DIAGRAM-3

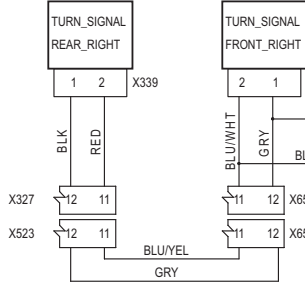
Kit	Item	Ref. No.	Qty	Description
	BT1	56123064	1	Battery
	CB1	56315255	1	Circuit Breaker, 5 Amp
	CB2	56507644	1	Circuit Breaker, 10 Amp
	M4	56123141	1	Vacuum Motor
	M5	56123104	1	Deck Actuator
	M6	56123103	1	Squeegee Actuator
	Y1	56123193	1	Em Brake
	L5	56104572	1	Solution Solenoid
	S1	56123113	1	Recovery Float Switch
	S3	7-82-00050	1	Switch, Seat
	S4	56123249	1	Key Switch Kit
	R4	56117557	1	Drive Pedal
	H2	56123271	1	Horn
	HM	56302198	1	Hour Meter Kit
	Lp1	56123286	1	Lamp, Flashing
	M1	56123096	1	Drive Wheel Motor
	M3L	56123129	1	Brush Motor - Left
	M3R	56123129	1	Brush Motor - Right
	M8	56104588	1	Solution Pump
	M9		1	Autonomy Control Module Fan
	M10	56123256	1	Steering Motor
	M11	56123056		Front 3d Obstacle Camera Fan
	K1	56397088	1	Main Contactor
	S2	56123245	1	Solution Float Switch
	S5	56123247	1	Sw E-Stop Rear, Emergency Disconnect
	S6	56123247	1	Sw E-Stop Front, Emergency Disconnect
	S7	56123265	1	Start Pause Button
	S8	56381824	1	Sw Autonomy Bypass
	P10	56123254	1	Front 3d Obstacle Camera
	P14	56123262	1	Left 3d Obstacle Camera
	P2	56123263	1	Right 3d Obstacle Camera
	P9	56123264	1	Front 2d Environment Camera
	P13	56123264	1	Left 2d Environment Camera
	P3	56123264	1	Right 2d Environment Camera
	P6	56123253	1	2d Mapping Lidar
	P7	56123252	1	2d Dropoff Lidar
	ACM	56123255	1	Autonomy Control Module Main Machine Controller
	SC	56123059	1	Steering Controller
	DWAE	56123196	1	Drive Wheel Angle Encoder Wheel Distance Encoder
	P1	56123257	1	Lte Modem
	P1	56123258	1	Lte Modem
	[]	56123250	1	Antenna - Not On Diagram
	ATS	56123251	1	Autonomy Touch Screen
	VIB	56123122	1	Scrub Interface Board (Vib)
	P4	56123074	1	Turn Signal Front Right
	P4	56123074	1	Turn Signal Rear Right
	P12	56123074	1	Turn Signal Front Left
	P12	56123074	1	Turn Signal Rear Left

[] = Not Shown

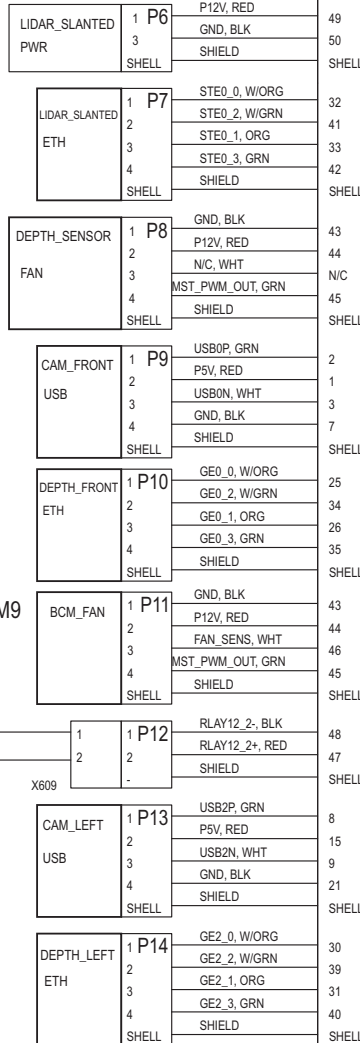
LADDER DIAGRAM-4

(K) TO B+ SHEET 5

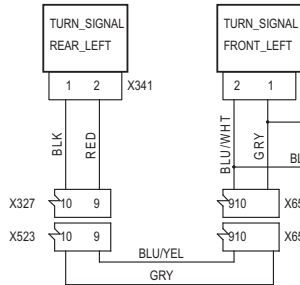
(H) TO VIB-J5 SHEET 2



M11



M9



(M) TO B+ SHEET 5

(L) TO B+ SHEET 3

BLK

(N) TO B+ SHEET 5

ACM
BRAIN CONTROL MODULE

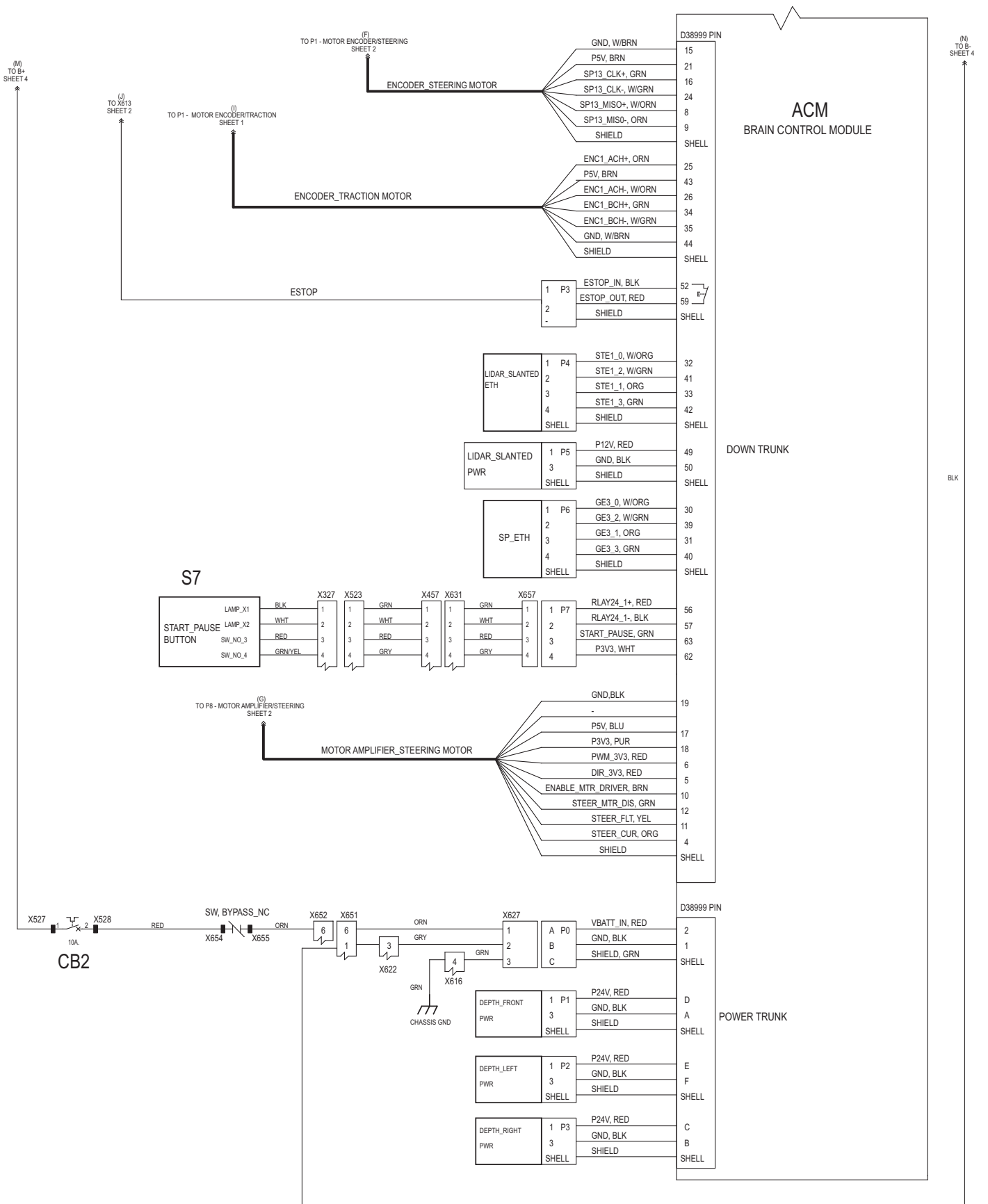
UPPER TRUNK

LADDER DIAGRAM-4

Kit	Item	Ref. No.	Qty	Description
	BT1	56123064	1	Battery
	CB1	56315255	1	Circuit Breaker, 5 Amp
	CB2	56507644	1	Circuit Breaker, 10 Amp
	M4	56123141	1	Vacuum Motor
	M5	56123104	1	Deck Actuator
	M6	56123103	1	Squeegee Actuator
	Y1	56123193	1	Em Brake
	L5	56104572	1	Solution Solenoid
	S1	56123113	1	Recovery Float Switch
	S3	7-82-00050	1	Switch, Seat
	S4	56123249	1	Key Switch Kit
	R4	56117557	1	Drive Pedal
	H2	56123271	1	Horn
	HM	56302198	1	Hour Meter Kit
	Lp1	56123286	1	Lamp, Flashing
	M1	56123096	1	Drive Wheel Motor
	M3L	56123129	1	Brush Motor - Left
	M3R	56123129	1	Brush Motor - Right
	M8	56104588	1	Solution Pump
	M9		1	Autonomy Control Module Fan
	M10	56123256	1	Steering Motor
	M11	56123056		Front 3d Obstacle Camera Fan
	K1	56397088	1	Main Contactor
	S2	56123245	1	Solution Float Switch
	S5	56123247	1	Sw E-Stop Rear, Emergency Disconnect
	S6	56123247	1	Sw E-Stop Front, Emergency Disconnect
	S7	56123265	1	Start Pause Button
	S8	56381824	1	Sw Autonomy Bypass
	P10	56123254	1	Front 3d Obstacle Camera
	P14	56123262	1	Left 3d Obstacle Camera
	P2	56123263	1	Right 3d Obstacle Camera
	P9	56123264	1	Front 2d Environment Camera
	P13	56123264	1	Left 2d Environment Camera
	P3	56123264	1	Right 2d Environment Camera
	P6	56123253	1	2d Mapping Lidar
	P7	56123252	1	2d Dropoff Lidar
	ACM	56123255	1	Autonomy Control Module Main Machine Controller
	SC	56123059	1	Steering Controller
	DWAE	56123196	1	Drive Wheel Angle Encoder Wheel Distance Encoder
	P1	56123257	1	Lte Modem
	P1	56123258	1	Lte Modem
	[]	56123250	1	Antenna - Not On Diagram
	ATS	56123251	1	Autonomy Touch Screen
	VIB	56123122	1	Scrub Interface Board (Vib)
	P4	56123074	1	Turn Signal Front Right
	P4	56123074	1	Turn Signal Rear Right
	P12	56123074	1	Turn Signal Front Left
	P12	56123074	1	Turn Signal Rear Left

[] = Not Shown

LADDER DIAGRAM-5



LADDER DIAGRAM-5

Kit	Item	Ref. No.	Qty	Description
	BT1	56123064	1	Battery
	CB1	56315255	1	Circuit Breaker, 5 Amp
	CB2	56507644	1	Circuit Breaker, 10 Amp
	M4	56123141	1	Vacuum Motor
	M5	56123104	1	Deck Actuator
	M6	56123103	1	Squeegee Actuator
	Y1	56123193	1	Em Brake
	L5	56104572	1	Solution Solenoid
	S1	56123113	1	Recovery Float Switch
	S3	7-82-00050	1	Switch, Seat
	S4	56123249	1	Key Switch Kit
	R4	56117557	1	Drive Pedal
	H2	56123271	1	Horn
	HM	56302198	1	Hour Meter Kit
	Lp1	56123286	1	Lamp, Flashing
	M1	56123096	1	Drive Wheel Motor
	M3L	56123129	1	Brush Motor - Left
	M3R	56123129	1	Brush Motor - Right
	M8	56104588	1	Solution Pump
	M9		1	Autonomy Control Module Fan
	M10	56123256	1	Steering Motor
	M11	56123056		Front 3d Obstacle Camera Fan
	K1	56397088	1	Main Contactor
	S2	56123245	1	Solution Float Switch
	S5	56123247	1	Sw E-Stop Rear, Emergency Disconnect
	S6	56123247	1	Sw E-Stop Front, Emergency Disconnect
	S7	56123265	1	Start Pause Button
	S8	56381824	1	Sw Autonomy Bypass
	P10	56123254	1	Front 3d Obstacle Camera
	P14	56123262	1	Left 3d Obstacle Camera
	P2	56123263	1	Right 3d Obstacle Camera
	P9	56123264	1	Front 2d Environment Camera
	P13	56123264	1	Left 2d Environment Camera
	P3	56123264	1	Right 2d Environment Camera
	P6	56123253	1	2d Mapping Lidar
	P7	56123252	1	2d Dropoff Lidar
	ACM	56123255	1	Autonomy Control Module Main Machine Controller
	SC	56123059	1	Steering Controller
	DWAE	56123196	1	Drive Wheel Angle Encoder Wheel Distance Encoder
	P1	56123257	1	Lte Modem
	P1	56123258	1	Lte Modem
	[]	56123250	1	Antenna - Not On Diagram
	ATS	56123251	1	Autonomy Touch Screen
	VIB	56123122	1	Scrub Interface Board (Vib)
	P4	56123074	1	Turn Signal Front Right
	P4	56123074	1	Turn Signal Rear Right
	P12	56123074	1	Turn Signal Front Left
	P12	56123074	1	Turn Signal Rear Left

[] = Not Shown

OPTIONAL KITS AND ACCESSORIES

Item	Ref. No.	Qty	Description
Kits			
*	56123221	1	Charger-Battery-24vdc-50a-Shlf
	56390865	1	Squeegee Assembly 28
Service Kits			
*	56123245	1	Float Switch Kit
*	56123247	1	Emergency Disconnect Kit
*	56123248	1	Machine Controller Kit
*	56123249	1	Key Switch Kit
*	56123250	1	Cellular Antenna Kit
*	56123251	1	Touch Screen Kit
*	56123252	1	Slanted Lidar Kit
*	56123253	1	Horizontal Lidar Kit
*	56123254	1	Front 3d Camera Kit
*	56123255	1	Control Module Kit
*	56123256	1	Steering Gear Motor Kit
*#	56123325	1	Comm Module Kit-Universal
*	56123259	1	Upper Trunk Harness Kit
*	56123260	1	Down Trunk Harness Kit
*	56123261	1	Power Trunk Harness Kit
*	56123262	1	3d Sensor Kit-Left
*	56123263	1	3d Sensor Kit-Right
*	56123264	1	2d Sensor Kit
*	56123265	1	Start/Pause Button Kit
*	56302198	1	Hour Meter Kit
Accessories			
*	56123215	1	Seat Belt Kit
*	56123300	1	Seat Kit
*#	56123328	1	Blue Light Kit
*#	56601708	1	Battery Spacer
*	56044736	1	Literature Pack - Americas
*	56044737	1	Literature Pack - Nilfisk
*	56123087	1	Home Location Pack-Std
Squeegee Blade Kits (See Squeegee Blade Selector Guide)			
8#	56120334	1	Squeegee Blade Kit-Linatex-M NOTE 1
*#	56120335	1	Squeegee Blade Kit-Gum-M NOTE 1
*#	56120336	1	Squeegee Blade Kit-PU-M NOTE 1
Disc Deck Blade Kits			
	56383488	1	Skirt Blade Kit-Gum
*	56383489	1	Skirt Blade Kit-Red Gum
*	56383490	1	Skirt Blade Kit-Pu
	56123283	1	Brush Skirt Assy-28-34d-Rh-Red
	56123284	1	Brush Skirt Assy-28-34d-Lh-Red
	56601248	1	Blade,Front 28 Gum
*	56601521	1	Blade,Front 28 PU
Disc Scrub Brushes (See Brush Selector Guide)			
*	56505195	1	Pad Retainer
*	56505800	1	Pad Holder-14 3 Lug
*	56384450	1	Pad-Maroon-14-10/Cs
*	976038	1	Pad-Red-14-5/Cs
*	56505801	1	Disc Brush-14 Magnagrit 3 Lug
*	56505802	1	Disc Brush-14 Dynagrit 3 Lug
*	56505803	1	Disc Brush-14 Aglite 3 Lug
*	56505804	1	Disc Brush-14 Prolene 3 Lug
*	56505805	1	Disc Brush-14 Prolite 3 Lug
*	56505806	1	Disc Brush-14 Union Mix 3 Lug
*	56505807	1	Disc Brush-14 Midgriit 3 Lug
*	56505808	1	Disc Brush-14 Midlite 3 Lug

* = Optional, Not Included

= Revised or new since last update

NOTE 1: All squeegee blade kits include both front and rear squeegee blades.

RECOMMENDED SPARE PARTS

Item	Ref. No.	Qty	Description
CHASSIS SYSTEM			
Extra-Ordinary Maintenance			
E	5612328	1	Lidar Cover Assembly
E	56123212	1	Guard-Front-Wheel
E	56123050	1	Chassis Weldment
Normal Wear			
W	56123213	1	Skirt-Front-Wheel
W	56123210	1	Skirt-Left-Wheel
W	56123206	1	Skirt-Right-Wheel
DRIVE AND WHEEL SYSTEM			
Ordinary Maintenance			
O	56601509	1	Carbon Brush Kit
O	56422174	1	Tire Puller Kit
Normal Wear			
W	56382693	2	Wheel
W	56123187	1	Chain-Roller
Extra-Ordinary Maintenance			
E	56123191	1	Tire/Hub Assembly
E	56123096	1	Motor-Drive Wheel-W/ Encoder
E	56123196	1	Encoder-Drive Wheel
E	56158143	1	Bearing Cup
E	56158151	1	Bearing Cone
E	56171081	1	Seal-Shaft 1.750
STEERING SYSTEM			
Extra-Ordinary Maintenance			
E	56117942	1	Ujoint-Double-18mm
E	56123013	1	Steering Column Weldment
E	56123020	1	Lower Column Mount Weldment
AUTONOMY SYSTEM			
Extra-Ordinary Maintenance			
E	56123252	1	Slanted Lidar Kit
E	56123253	1	Horizontal Lidar Kit
E	56123254	1	Front 3d Camera Kit
E	56123255	1	Control Module Kit
E	5612325	1	Steering Gear Motor Kit
E	56123257	1	Comm Module Kit-Global
E	56123258	1	Comm Module Kit-Canadian
E	56123259	1	Upper Trunk Harness Kit
E	56123260	1	Down Trunk Harness Kit
E	56123261	1	Power Trunk Harness Kit
E	56123262	1	3d Sensor Kit-Left
E	56123263	1	3d Sensor Kit-Right
E	56123264	1	2d Sensor Kit
E	56123265	1	Start/Pause Button Kit
E	56123250	1	Cellular Antenna Kit
E	56123251	1	Touchscreen Kit
ELECTRICAL SYSTEM			
Ordinary Maintenance			
o	56315255	1	Circuit Breaker, 5 Amp
o	56315256	1	Breaker, 30 Amp
o	56413822	1	Circuit Breaker, 20 Amp
o	56454429	1	Circuit Breaker, 70 Amp
o	56507644	1	Circuit Breaker, 10 Amp
Extra-Ordinary Maintenance			
E	56123266	1	Diode-Terminating-Dt Series
E	56123122	1	User Interface Assembly
E	56123130	1	Harness-Recovery
E	56123131	1	Harness-Column
E	56123132	1	Cable Asm-Machine
E	56123133	1	Cable Asm-Battery
E	56123134	1	Harness-Traction
E	56123248	1	Machine Controller Kit
E	56115432	1	Fuse-150 Amp
E	56123102	1	Main Harness

Item	Ref. No.	Qty	Description
SCRUB SYSTEM-CYLINDRICAL			
Ordinary Maintenance			
O#	56412257	1	Brush Cap Assembly
O#	56412287	1	Motor Brush/Spring Kit
Extra-Ordinary Maintenance			
E#	56315061	2	Motor-24 Vdc .5 Hp 1800 Rpm
E#	56123105	1	Actuator Assembly
Normal Wear			
W#	56117309-SP	1	Blade-Cylindrical-Linatex
SCRUB SYSTEM-DISC			
Ordinary Maintenance			
O	56601534	1	Carbon Brushes (2)
O	56388520	1	Nut, Plastic
O	56412262	1	Housing Spring
Extra-Ordinary Maintenance			
E	56123129	2	Motor Gearbox Assy-24v-480watt
E	56314785	2	Motovario Gearbox
E	56123105	1	Actuator Assembly
Normal Wear			
W	56383488	1	Skirt Blade Kit-Gum
W	56601248	1	Blade.Front 28 Gum
SOLUTION SYSTEM			
Ordinary Maintenance			
O	56315296	1	Solution Filter
Extra-Ordinary Maintenance			
E	56104572	1	Solenoid Valve Assy
E	56104588	1	Pump-24vdc
RECOVERY SYSTEM			
Ordinary Maintenance			
O	56344168	2	Filters
O	56383319	1	Drain Hose Assy-1.5
O	56601136	1	Hose-Rec-1.5 X 46
Normal Wear			
W	56601125	1	Filter
SQUEEGEE SYSTEM			
Normal Wear			
W	56382735	1	Blade Kit-Squeegee-Red Gum 28
Extra-Ordinary Maintenance			
E	56123103	1	Actuator- Motor 24v
E	56390865	1	Squeegee Assembly 28
DECAL SYSTEM			
Extra-Ordinary Maintenance			
E	56014601	1	Decal-Caution
E	1463789000	1	Decal Nilfi sk 210x83mm Lt Grey
E	56123048	1	Decal-Circuit Breaker
E	56123065	1	Decal-Bypass
E	56123069	1	Decal-Circuit Breaker
E	56123083	1	Decal-Chemical Ratio
E	56123085	1	Decal-Battery Wiring
E	56123086	1	Decal-Key Switch
E	56123099	2	Decal-Liberty Sc60
E	56123156	1	Decal-Emergency Stop
E	56123157	1	Decal-Play-Pause
E	56123162	1	Decal-Brain Corp
E	56394259	1	Decal-Prop 65
E	56123200	1	Decal-Patent-Nilfi sk-Brain
E	56394259	1	Decal-Prop 65

= Revised or new since last update

BRUSH SELECTOR GUIDE - DISC

We provide brushes and pad holders that will give you the best possible performance between machine and floor. Following are descriptions of the materials and their applications.

ProLite:	Bristles are made from light-duty polypropylene for general scrubbing when you do not want to scratch or remove finish from the floor. Recommended for use in place of red pads.
Prolene:	Polypropylene material for medium-duty scrubbing on concrete, terrazzo and vinyl floor tile. Recommended for use in place of green or blue pads.
Union Mix:	Medium grade natural fibers for polishing finished floors with standard-speed equipment. Recommended for use in place of white pads.
AgLite Grit 500:	For light scrubbing when used wet; buffing or polishing when used dry on urethane coated, sealed concrete or other resilient hard surface floors. Recommended for use in place of red or white pads.
MidGrit 240:	For general purpose scrubbing when you need a lighter action for sealed or unsealed concrete, stone, terrazzo, quarry tile and other resilient hard floor surfaces. Recommended for use in place of green or blue pads.
MidLite Grit 180:	For general purpose scrubbing of sealed or unsealed concrete, stone, terrazzo, quarry tile and other resilient hard floor surfaces. Recommended for use in place of green or blue pads.
Dyna Grit 80:	For aggressive, heavy-duty scrubbing or stripping of floors. Recommended for use in place of brown pads.
Magna Grit 46:	For extreme heavy-duty scrubbing or stripping of floors. This brush has extra large diameter silicon carbide grit impregnated synthetic bristles. Recommended for use in place of black pads.
Short Trim Pad Holder:	Made with a structural foam block and center ring for correct pad centering. It has a "shower feed" design for getting solution to the floor.

SC60 DISC BRUSHES

56505800 - Short Trim Pad Holder
56505195 - Pad Retainer for 56505800
56505805 - ProLite
56505804 - Prolene
56505806 - Union Mix
56505803 - AgLite Grit 500
56505807 - MidGrit 240
56505808 - MidLite Grit 180
56505802 - Dyna Grit 80
56505801 - Magna Grit 46

DISC BRUSH APPLICATION GUIDE (SUGGESTION ONLY)

Application	46 Grit	80 Grit	180 Grit	240 Grit	500 Grit	Prolene	ProLite	Union Mix
Stripping:								
Concrete	X	X						
Terrazzo	X	X						
Ceramic/Quarry tile		X						
Vinyl tile		X						
General Scrubbing:								
Concrete	X	X	X	X		X		
Terrazzo			X	X	X	X		
Ceramic/Quarry tile			X	X	X	X		
Marble					X		X	
Vinyl tile			X		X	X		
Raised-rubber tile					X		X	
Polishing:								
Raised Disc Tile								X
Marble								X
Vinyl tile								X

BRUSH SELECTOR GUIDE - CYLINDRICAL

We provide brushes and pad holders that will give you the best possible performance between machine and floor. Following are descriptions of the materials and their applications.

- Soft Nylon: Least aggressive brush available. Used on soft-finish floors where a more aggressive brush would leave scratch marks, or in applications requiring very light cleaning.
- Stiff Nylon: Cleaning action similar to polypropylene. More durable and wear-resistant than polypropylene.
- Prolene: Low cost, yet effective in cleaning many common floor surfaces.
- MidLite Grit 180: Least aggressive grit brush. Used for daily cleaning of hard-finished floors.
- Dyna Grit 80: Medium aggressive grit brush. Good all-around brush for medium to heavy buildup removal. Can also be used for general stripping operations.
- Magna Grit 46: Most aggressive grit brush. Used primarily to clean heavy buildup on concrete floors in factories, or for heavy stripping of finish.

SC60 CYLINDRICAL BRUSHES

- 56412191 - BRUSH SOFT NYLON 28-YELLOW
- 56412192 - BRUSH HARD NYLON 28-NATURAL
- 56412046 - BRUSH POLYPROPYLENE 28-RED
- 56412193 - BRUSH 180 GRIT 28-BLUE/GREY
- 56412194 - BRUSH 80 GRIT 28-BLACK
- 56412195 - BRUSH 46 GRIT 28-ORANG/BROWN

CYLINDRICAL BRUSH APPLICATION GUIDE (SUGGESTION ONLY)

Application	46 Grit	80 Grit	180 Grit	Polypro- pylene	Stiff Nylon	Soft Nylon
Stripping:						
Concrete	X	X				
Terrazzo	X	X				
Ceramic/Quarry tile		X				
Vinyl tile		X				
General Scrubbing:						
Concrete	X	X	X	X	X	
Terrazzo			X	X	X	X
Ceramic/Quarry tile			X	X	X	X
Marble			X		X	X
Vinyl tile			X	X	X	X
Raised-rubber tile			X			X

SQUEEGEE BLADE SELECTOR GUIDE

Gum Rubber: Provides superior wiping action on tile, terrazzo, and polished floors.

Linatex: Provides longest life on finished or unfinished concrete floors.

Polyurethane: Oil resistance provides superior life in applications with oily floors.

SQUEEGEE BLADE APPLICATION GUIDE(SUGGESTION ONLY)

	Gum Rubber (Natural Rubber)	Linatex (Natural Rubber)	Polyurethane/ Pentathane
Performance Traits			
Tear Strength		X	X
Abrasion Resistance		X	X
Applications			
Oil Resistant Applications			X
Appearance	Tan	Red	Translucent



9435 Winnetka Ave North
Minneapolis, MN 55445
www.advance-us.com
Phone: 800-989-2235
Fax: 800-989-6566
©2021 Nilfisk, Inc.

Nilfisk A/S
Kornmarksvej 1 · DK-2605 Brøndby · Denmark
Tel.: +45 43 23 81 00 · Fax: +45 43 43 77 00
mail.com@nilfisk.com
www.nilfisk.com

