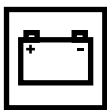
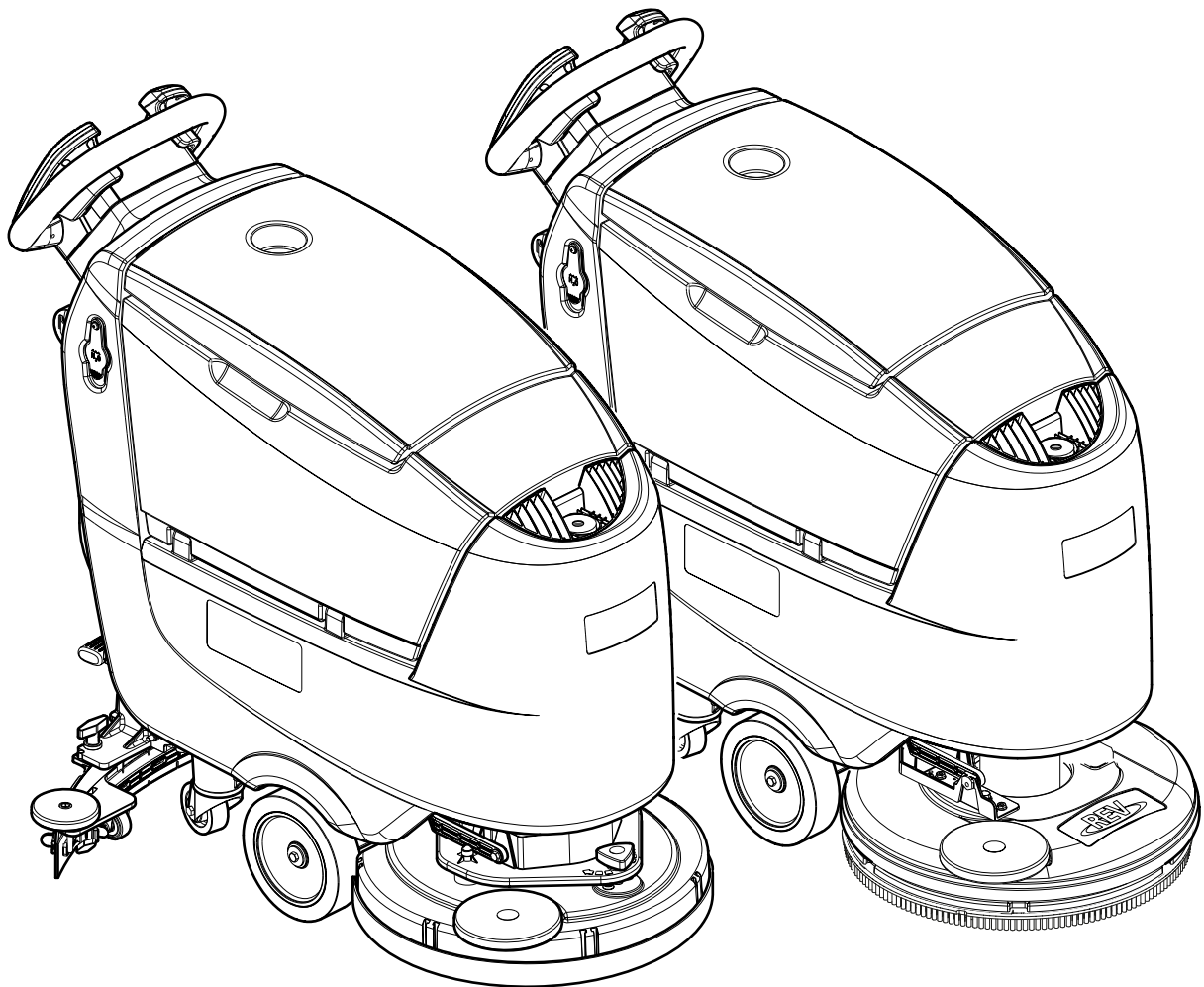


# SC500

## Parts list

11/2014 Revised 01/2018  
(E)  
FORM NO. 9099981000

ecoflex™



Models No.:  
9087352020, 9087353020, 9087354020  
9087403020, 9087405020, 9087404020



**TABLE OF CONTENTS**

GENERAL VIEW .....	2
SOLUTION TANK SYSTEM .....	4
RECOVERY TANK SYSTEM .....	6
MOTOR DRIVE SYSTEM DISC .....	8
MOTOR DRIVE SYSTEM REV .....	10
PADDLE AND DASHBOARD SYSTEM (Models No.: 9087352020, 9087353020, 9087354020).....	12
PADDLE AND DASHBOARD SYSTEM (Models No.: 9087403020, 9087405020, 9087404020).....	14
REAR WHEELS SYSTEM.....	16
SQUEEGEE SYSTEM.....	18
DISC DECK SYSTEM .....	20
REV DECK SYSTEM .....	22
ELECTRICAL COMPONENTS SYSTEM.....	24
BATTERY CHARGER SYSTEM.....	26
ECOFLEX SYSTEM (Models No.: 9087352020, 9087353020, 9087354020) .....	28
ECOFLEX SYSTEM (Models No.: 9087403020, 9087405020, 9087404020) .....	30
SPLASH GUARD, MOP AND TRASH.....	32
WATER FILLING, USB PORT .....	34
BRUSHES .....	36
WIRING DIAGRAM (Models No.: 9087352020, 9087353020, 9087354020).....	38
WIRING DIAGRAM (Models No.: 9087403020, 9087405020, 9087404020).....	40
RECOMMENDED PARTS.....	42
RECOMMENDED PARTS - ACCESSORIES/OPTIONALS .....	43

**WHEN ORDERING PARTS**

- Use the part numbers from the “REF. NO.” columns in this parts list. If the “REF. NO.” column is blank; look under the “KIT” column to identify which kit contains the part in question, then use the kit callout, for example “K1”, to find the “REF. NO.” for that kit.
- Specify the model number and serial number of the machine.
- Use the space below to record the model number and serial number for future reference.

Model No.: ..... Serial No.: .....

\* = Optional

# = Modified item No. or New item No.

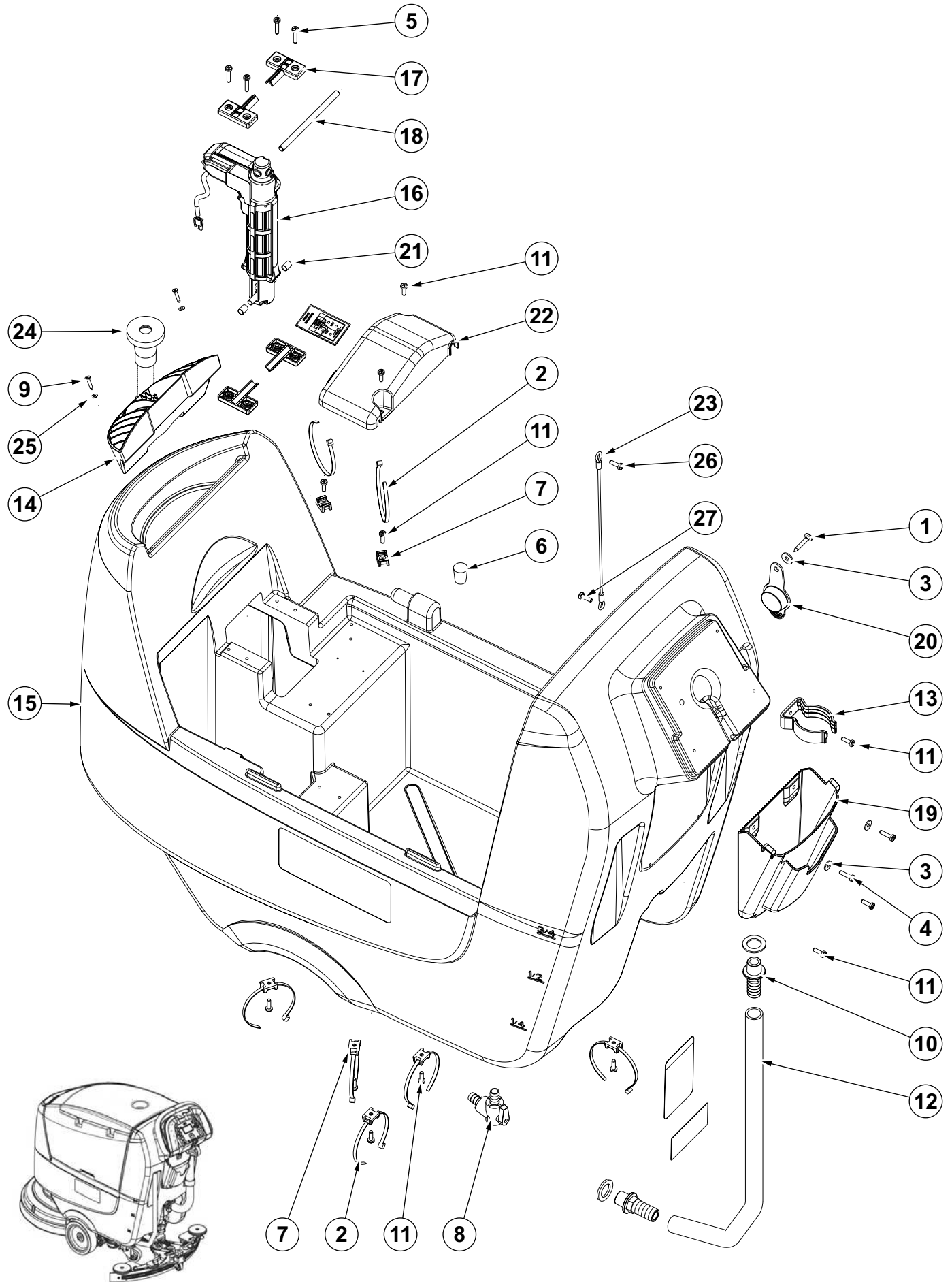
[ ] = Not shown



**GENERAL VIEW**

KIT	ITEM	REF. NO.	QTY	DESCRIPTION	NOTE
	1	9100002405	1	DECALS ADVANCE SC500 KIT	
	2	-	1	WHEELS REAR-SQUEEGEE ASSEMBLY	
	3	-	1	TANK RECOVERY ASSEMBLY	
	4	-	1	MOTOR DRIVE ASSEMBLY	
	5	-	1	TANK SOLUTION ASSEMBLY	
	6	-	1	SQUEEGEE ASSEMBLY	
	7	-	1	PADDLE ASSEMBLY	
	8	-	1	PANEL CONTROL ASSEMBLY	
	9	-	1	DECK BRUSH ASSEMBLY	
	10	-	1	SYSTEM SOLUTION ASSEMBLY	
	11	-	1	ECOFLEX ASSEMBLY	
	12	-	1	CHARGER BATTERY ASSEMBLY	
	13	-	1	REV MOTOR DRIVE ASSEMBLY	
	14	-	1	REV BRUSH ASSEMBLY	

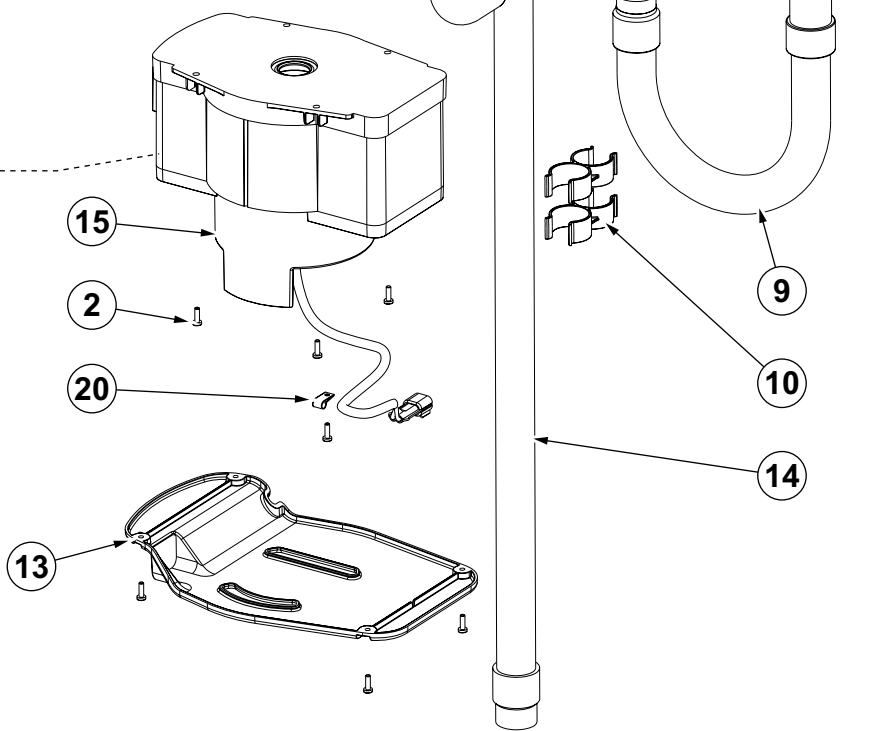
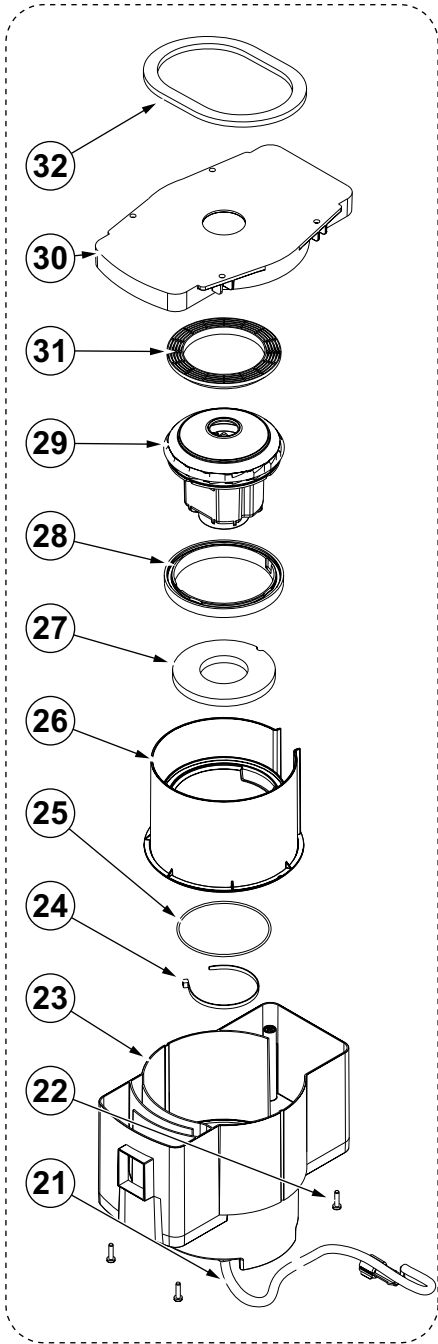
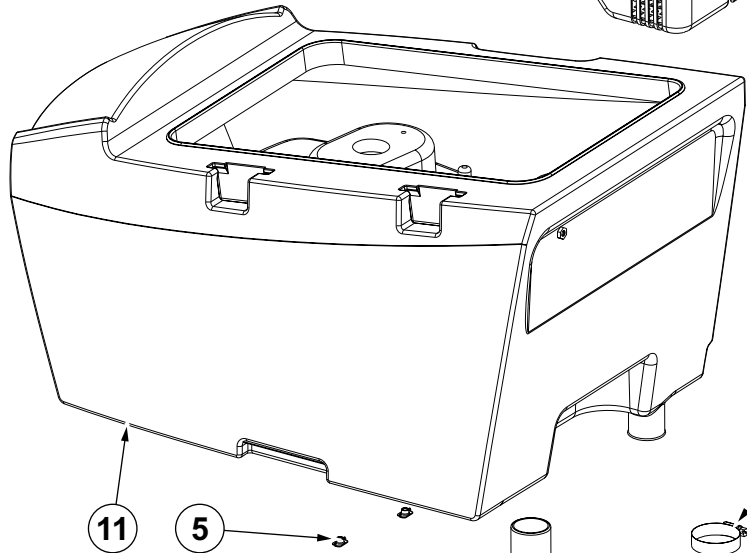
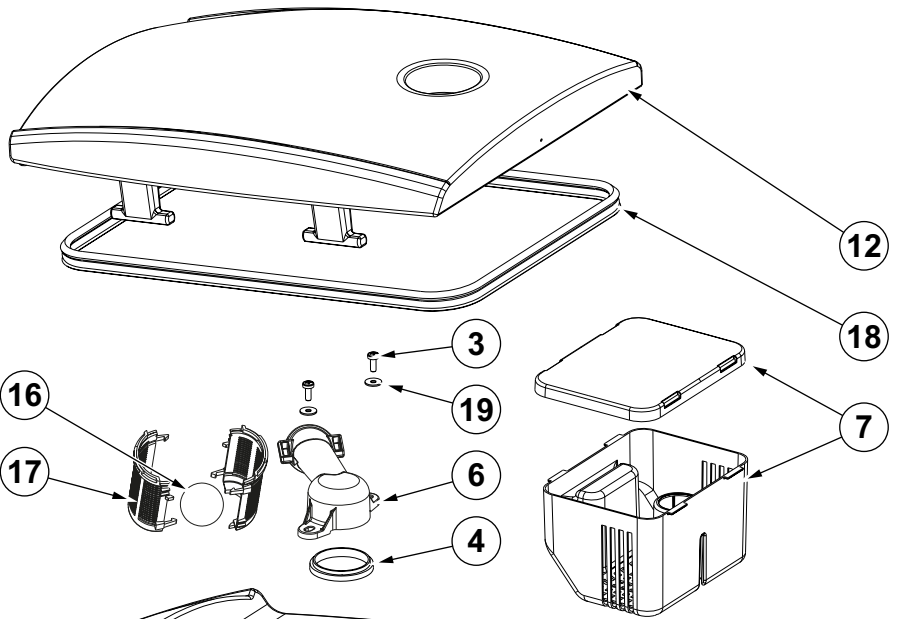
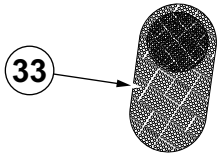
SOLUTION TANK SYSTEM



**SOLUTION TANK SYSTEM**

KIT	ITEM	REF. NO.	QTY	DESCRIPTION	NOTE
K2	1		1	SCREW 5X35 SELF THD TAPPING AW20 BLACK	
K2	2		8	TIE CABLE 4.8x200 BLACK	
K2	3		1	WASHER 6X18X1.5 UNI6593 SS	
K2	4		2	SCREW CYL HD 5X20 SELF L. PLASTOFAST	
K1	5		4	SCREW CYL HD 5X25 SELF L. PLASTOFAST	
K2	6		1	CAP BLACK	
K2	7		8	HOLDER.FLAT TIE	
	8	9100000803	1	VALVE ELBOW SIP	
K2	9		2	SCREW 3.9X22 UNI6955 SS	
	10	9100000574	2	FITTING STRAIGHT G1/2 D.20 KIT	
K2	11		13	SCREW CYL HD 5X16 SELF L. PLASTOFAST	
	12	9098446000	1	HOSE SOLUTION	
	13	909 6380 000	1	CLAMP KIT	
	14	9100000899	1	FILTER WATER INLET SIP	
	15	9100000804	1	TANK SOLUTION 40 LT GREY SIP	
	16	9100000805	1	ACTUATOR LINEAR 24V DC STRK 120MM SIP	FOR DISC VERSION
	16	9100000806	1	ACTUATOR LINEAR 24V DC STRK 98MM SIP	FOR REV VERSION
K1	17		4	PLATE FOR JACK MOTOR RETAINER	
K1	18		1	PIN CYLINDR. D.8X140 ISO2338 NO TEMPERED	
	19	9100000807	1	BOX F CHARGER CABLE SIP	
	20	9100000808	1	RUBBER SOLUTION CAP SIP	
K1	21	9100002105	1	CAP D.9 PLASTIC 10 PCS SET	SEE TSB-FC-2016-021
	22	9100000809	1	COVER DETERGENT MIX PUMP SIP	
K3	23		1	CABLE SAFETY F TANK	
	<b>24*</b>	<b>9100000703</b>	<b>1</b>	<b>HOSE FILLING SIP</b>	SEE TSB-FC-2016-020
K2	25		2	WASHER M4 UNI6592 SS	
K3	26		1	SCREW CYL HD 5X16 SELF L. PLASTOFAST	
K3	27		1	SCREW M5X16 UNI7687 SS	
	[K1]	9100000737	1	ACTUATOR FIXING KIT	
	[K2]	9100000738	1	HARDWARE SOLUTION TANK KIT	
	[K3]	9100000794	1	CABLE SAFETY F TANK KIT	

RECOVERY TANK SYSTEM

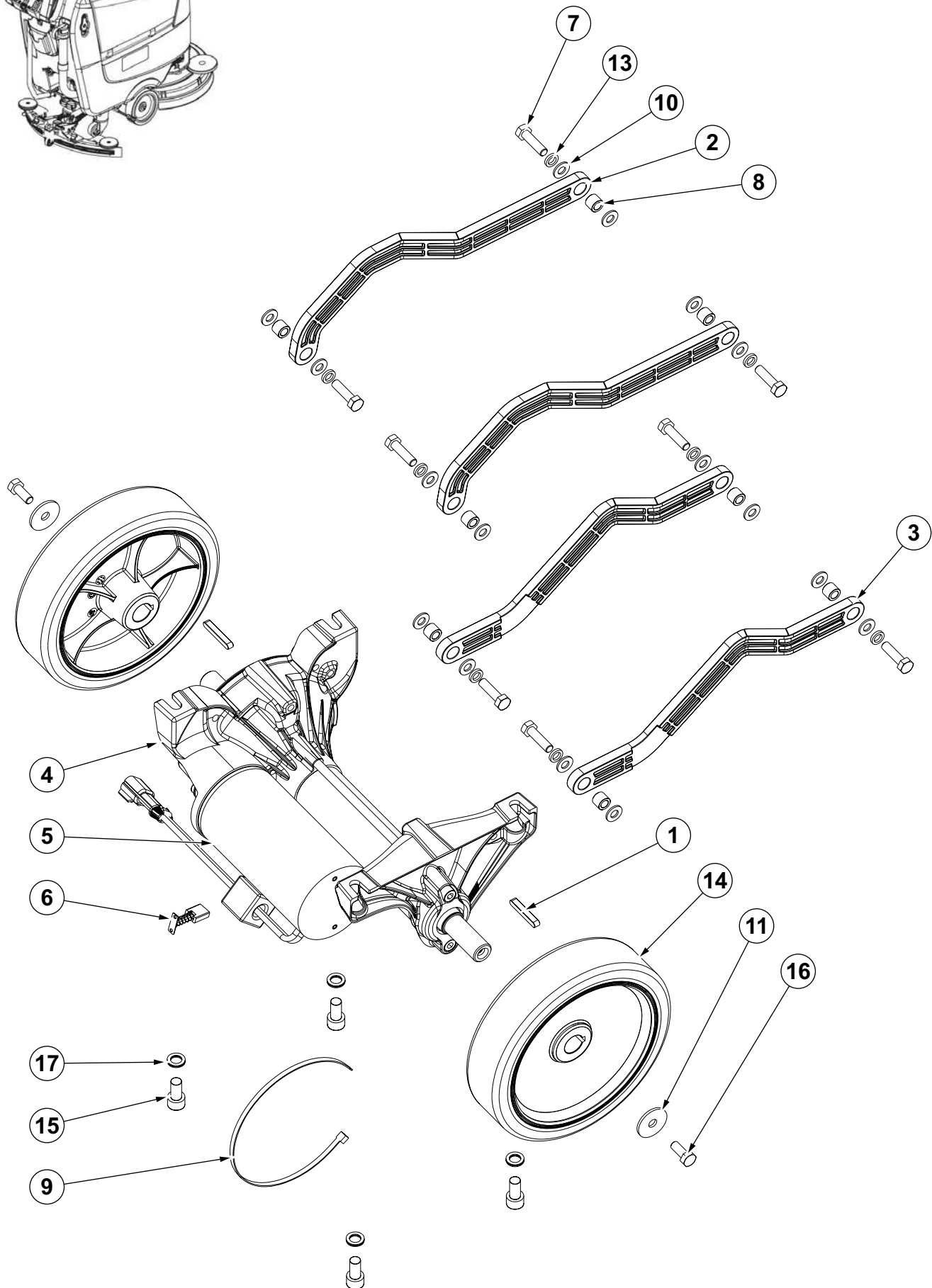
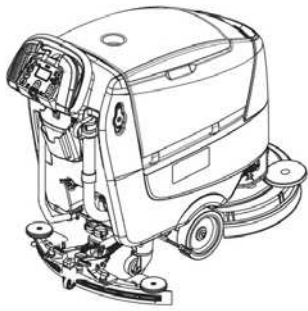




**RECOVERY TANK SYSTEM**

KIT	ITEM	REF. NO.	QTY	DESCRIPTION	NOTE
K3	1	9100001348	1	CLAMP 14/32-52 10 PCS SET	
K3	2		9	SCREW M5X12 UNI7687	
K1	3		2	SCREW M6X16 UNI7687 SS	
K1	4	9100000928	1	GASKET FLOAT SUPPORT SIP	
K3	5		2	NUT JAW M6X6 INOX SS	
K1	6		1	CAGE FLOAT	
	<b>[7]*</b>	<b>9100000795</b>	<b>1</b>	<b>TRAY DEBRIS KIT</b>	
	9	9100000812	1	HOSE DRAIN BLACK SIP	
	10	9100000889	1	CLIP HOSE STOPPING 2 PCS SET	
	11	9100000813	1	TANK RECOVERY 40 LT GREY SIP	
	12	9100000814	1	COVER TANK GREY SIP	
	13	9100000815	1	COVER F VACUUM MOTOR SOUNDPR. SIP	
	14	9100000816	1	HOSE SUCTION BLACK SIP	
	15	9100000904	1	MOTOR VACUUM 24V 280W CPL KIT	
	<b>15*</b>	<b>9100000491</b>	<b>1</b>	<b>HIGH POWER VACUUM MOTOR 24V 450W KIT</b>	(9100000753) INSTALLATION INSTRUCTIONS
	16	9100000817	1	BALL FLOATING SIP	
	17	9100000818	1	CAGE FLOAT HALF 2 PCS SET	
	18	9100000819	1	GASKET BULB RUBBER L.1670MM SIP	
K1	19		2	WASHER 6X18X1.5 UNI6593 SS	
K3	20		1	CLAMP CABLE BLACK	
	21	9100000820	1	HARNESS VACUUM MOTOR SIP	
K3	22		4	SCREW CYL HD 5X20 SELF L. PLASTOFAST	
	23	9100000821	1	SUPPORT EXT. INSULATION VAC. MOTOR SIP	
K3	24		1	TIE CABLE 4.8x200 BLACK	
K2	25		1	O-RING 2.5X109 EPDM	
	26	9100000822	1	SUPPORT INT. INSULATION VAC. MOTOR SIP	
K2	27		1	GASKET COLLECTOR	
K2	28		1	RUBBER SEALING DOMEL UPPER	
	29	9100000823	1	MOTOR VACUUM 24V 280W SIP	
	30	9100000824	1	SUPP. UPPER F VAC. MOTOR SOUNDPR. SIP	
K2	31		1	MOTOR GASKET LOWER DOMEL	
K2	32		1	GASKET VACUUM MOTOR	
	<b>33*</b>	<b>909 5065 000</b>	<b>1</b>	<b>FILTER ANTIFOAMING</b>	
	[K1]	9100001875	1	SUPPORT FLOAT KIT	
	[K2]	9100000739	1	GASKETS VACUUM MOTOR KIT	
	[K3]	9100000740	1	HARDWARE RECOVERY TANK KIT	

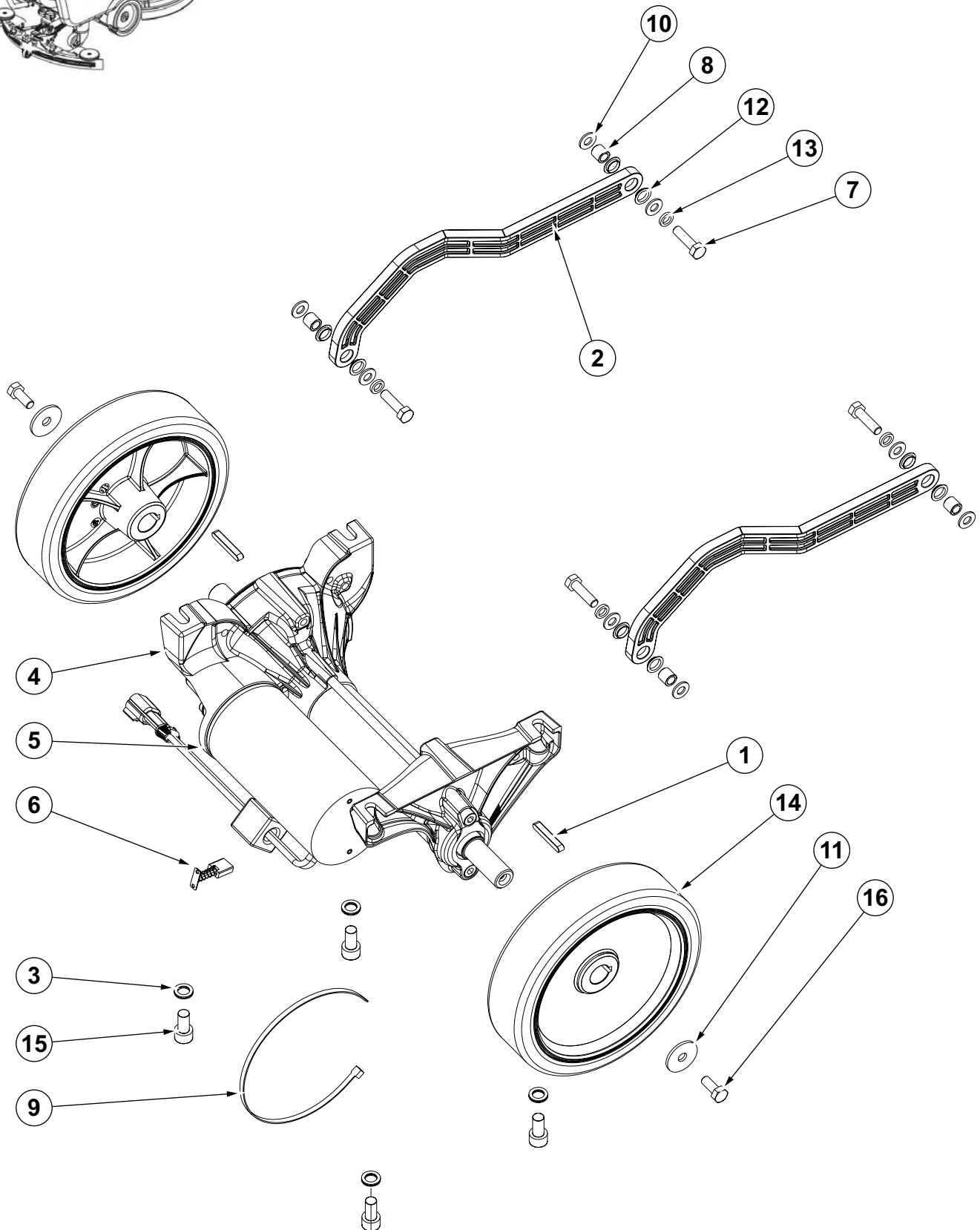
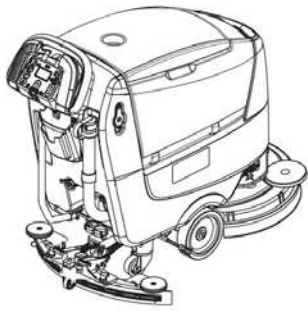
### MOTOR DRIVE SYSTEM DISC



**MOTOR DRIVE SYSTEM DISC**

KIT	ITEM	REF. NO.	QTY	DESCRIPTION	NOTE
K1	1	146 0769 000	2	KEY 6X6X40 UNI6604A	
	2	9100000825	1	LEVER EXT. FOR DECK LIFTING 2 PCS SET	
	3	9100000826	1	LEVER INT. FOR DECK LIFTING 2 PCS SET	
	4	9100000743	1	MOTOR DRIVE 200W 24V SIP	
	5	9100000921	1	MOTOR ELECTRIC 200W 24V	
	6	9100000922	1	CARBON BRUSHES KIT 2 PCS	
K1	7		8	SCREW M8X30 UNI5739	
K1	8		8	SPACER 8.1X13X10.3	
K1	9		1	TIE CABLE 4.8X430 WHITE	
K1	10		16	WASHER M8 UNI6592	
K1	11		2	WASHER 8.5X32X2 SS	
K1	13		8	WASHER NORD LOCK M8	
	14	9100000830	2	WHEEL D.200X50 GREY-BLACK 2 PCS SET	
K1	15		4	SCREW M10X25 BUTT HEX FLA 10.9 ISO7380-2	
K1	16		2	SCREW M8X20 UNI5739 SS	
K1	17		4	WASHER NORD LOCK M10	
	[K1]#	9100000744	1	HARDWARE DRIVE MOTOR KIT	

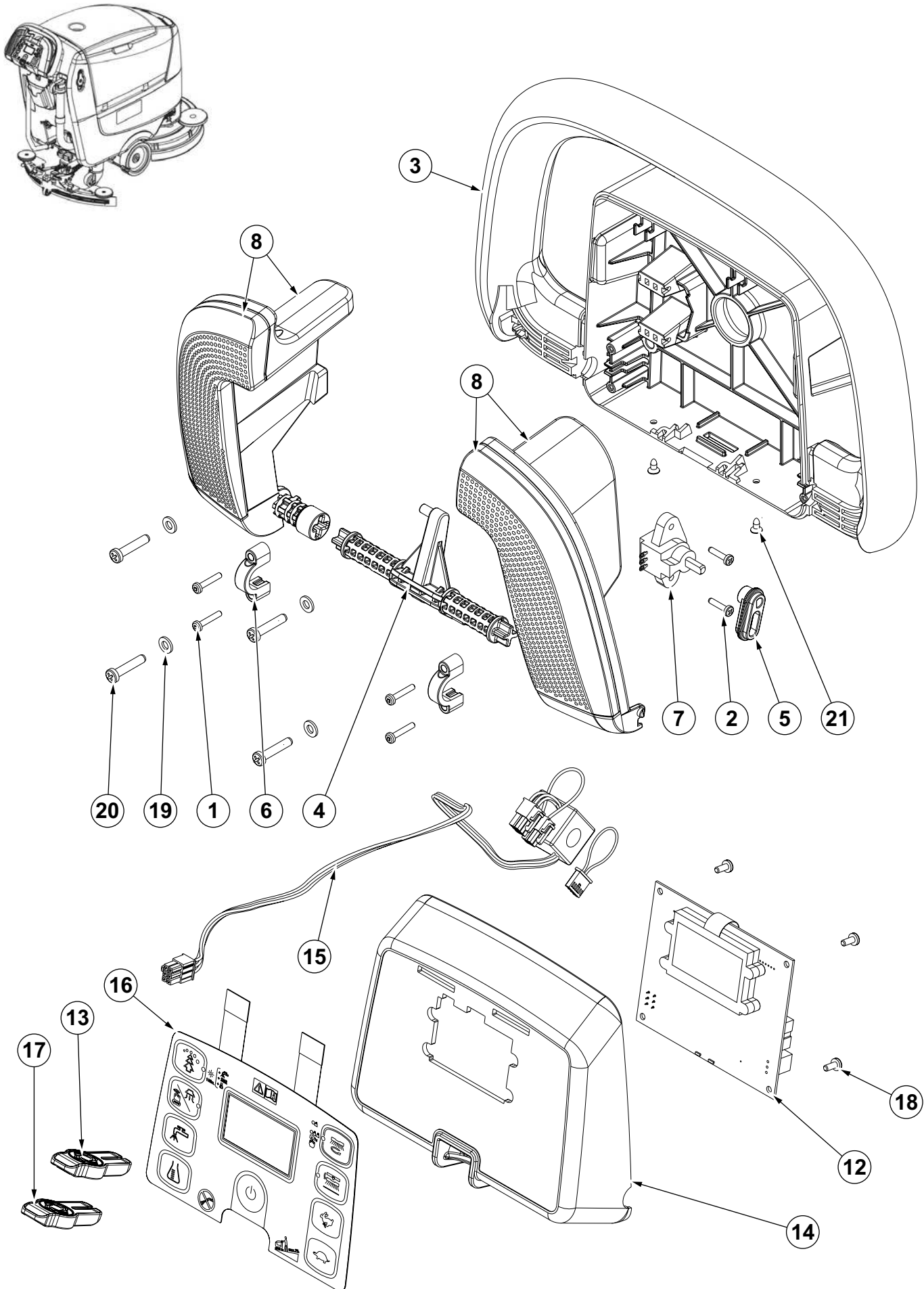
### MOTOR DRIVE SYSTEM REV



**MOTOR DRIVE SYSTEM REV**

KIT	ITEM	REF. NO.	QTY	DESCRIPTION	NOTE
K1	1	146 0769 000	2	KEY 6X6X40 UNI6604A	
	2	9100000825	1	LEVER EXT. FOR DECK LIFTING 2 PCS SET	
K1	3		4	WASHER NORD LOCK M10	
	4	9100000743	1	MOTOR DRIVE 200W 24V SIP	
	5	9100000921	1	MOTOR ELECTRIC 200W 24V	
	6	9100000922	1	CARBON BRUSHES KIT 2 PCS	
K1	7		4	SCREW M8X30 UNI5739	
K1	8		4	SPACER 8.1X12X11.3	
K1	9		1	TIE CABLE 4.8X430 WHITE	
K1	10		8	WASHER M8 UNI6592	
K1	11		2	WASHER 8.5X32X2 SS	
K1	12		8	BEARING FLANGE IGLIDUR GFM-1213-03	
K1	13		4	WASHER NORD LOCK M8	
	14	9100000830	2	WHEEL D.200X50 GREY-BLACK 2 PCS SET	
K1	15		4	SCREW M10X25 BUTT HEX FLA 10.9 ISO7380-2	
K1	16		2	SCREW M8X20 UNI5739 SS	
[K1]		9100002079	1	HARDWARE REV US DRIVE MOTOR KIT	

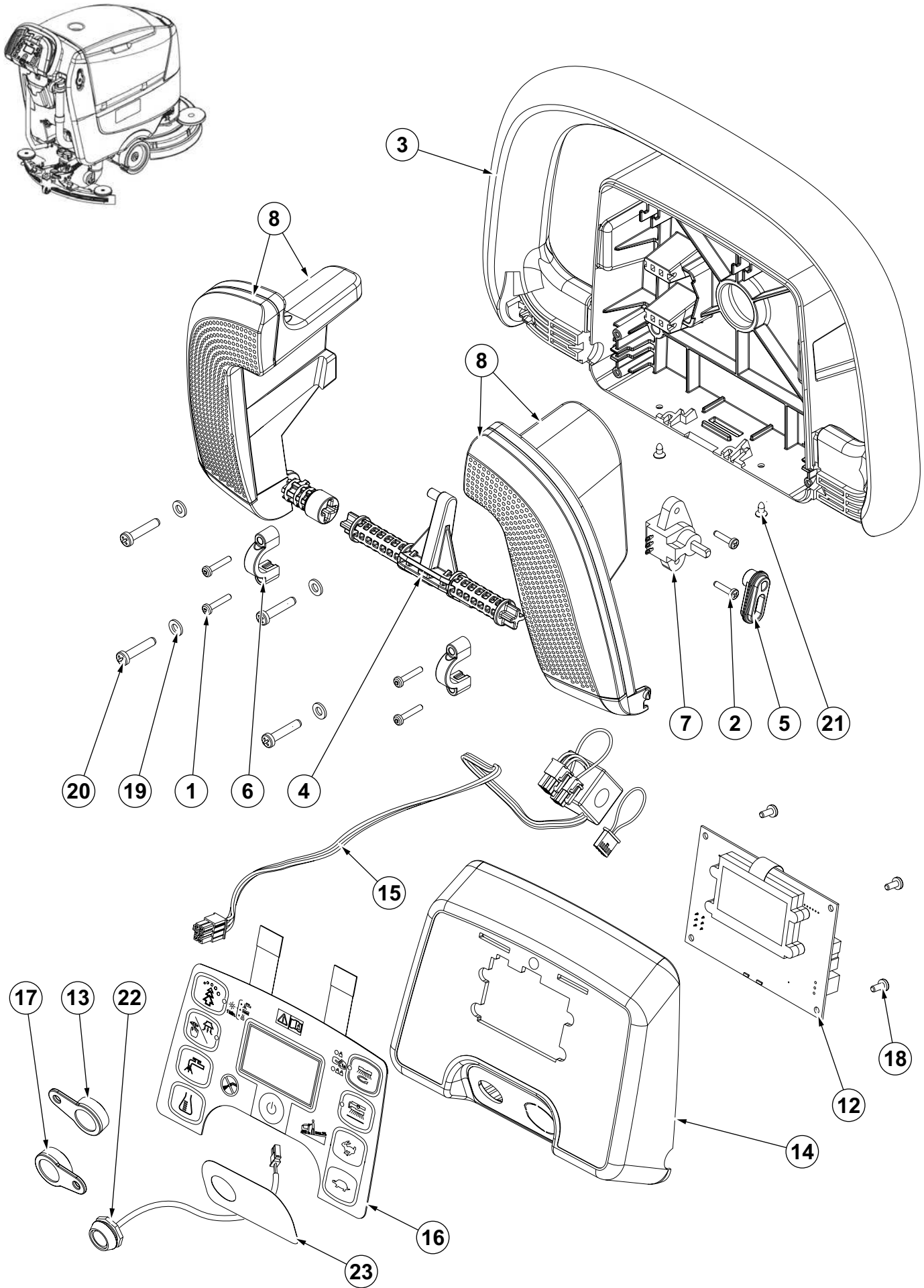
**PADDLE AND DASHBOARD SYSTEM (Models No.: 9087352020, 9087353020, 9087354020)**



**PADDLE AND DASHBOARD SYSTEM (Models No.: 9087352020, 9087353020, 9087354020)**

KIT	ITEM	REF. NO.	QTY	DESCRIPTION	NOTE
K1	1		4	SCREW TORX T20	
K1	2		2	SCREW 4.2X19 SELF THD HEX HD ISO10510	
	3	9100000835	1	HANDLE BAR SIP	
	4	9100000836	1	SHAFT LEVERS CONNECTION SIP	
K1	5		1	ROD POTENTIOMETER	
K1	6		2	SUPPORT F LEVER CONNECTION SHAFT	
	7	9100000837	1	POTENTIOMETER 5K SIP	
	8	9100002167	1	LEVERS RT-LT DRIVING PRE-ASSEMBLED SIP	
	12	9100000842	1	CARD DISPLAY SIP	
	<b>13*</b>	<b>9100000843</b>	<b>1</b>	<b>KEY OPERATOR COMPLETE SIP</b>	
	14	9100000844	1	COVER HANDLE BAR SIP	
	15	9100000845	1	HARNESS CONTROL PANEL SIP	
	16	9100000846	1	DASHBOARD CONTROL PANEL SIP	FOR DISC VERSION
	16	9100000847	1	DASHBOARD CONTROL PANEL SIP	FOR REV VERSION
	<b>17*</b>	<b>9100000848</b>	<b>1</b>	<b>KEY SERVICE COMPLETE SIP</b>	
K1	18		4	SCREW 3.9X9.5 THD FORM	
K1	19		4	WASHER M6 UNI6592	
K1	20		4	SCREW CYL HD 6X30 SELF L.PLAST	
K1	21		2	SCREW 3.9X9.5 UNI6955	
	[K1]	9100000745	1	PADDLE AND DASHBOARD FIXING KIT	

**PADDLE AND DASHBOARD SYSTEM (Models No.: 9087403020, 9087405020, 9087404020)**





**PADDLE AND DASHBOARD SYSTEM (Models No.: 9087403020, 9087405020, 9087404020)**

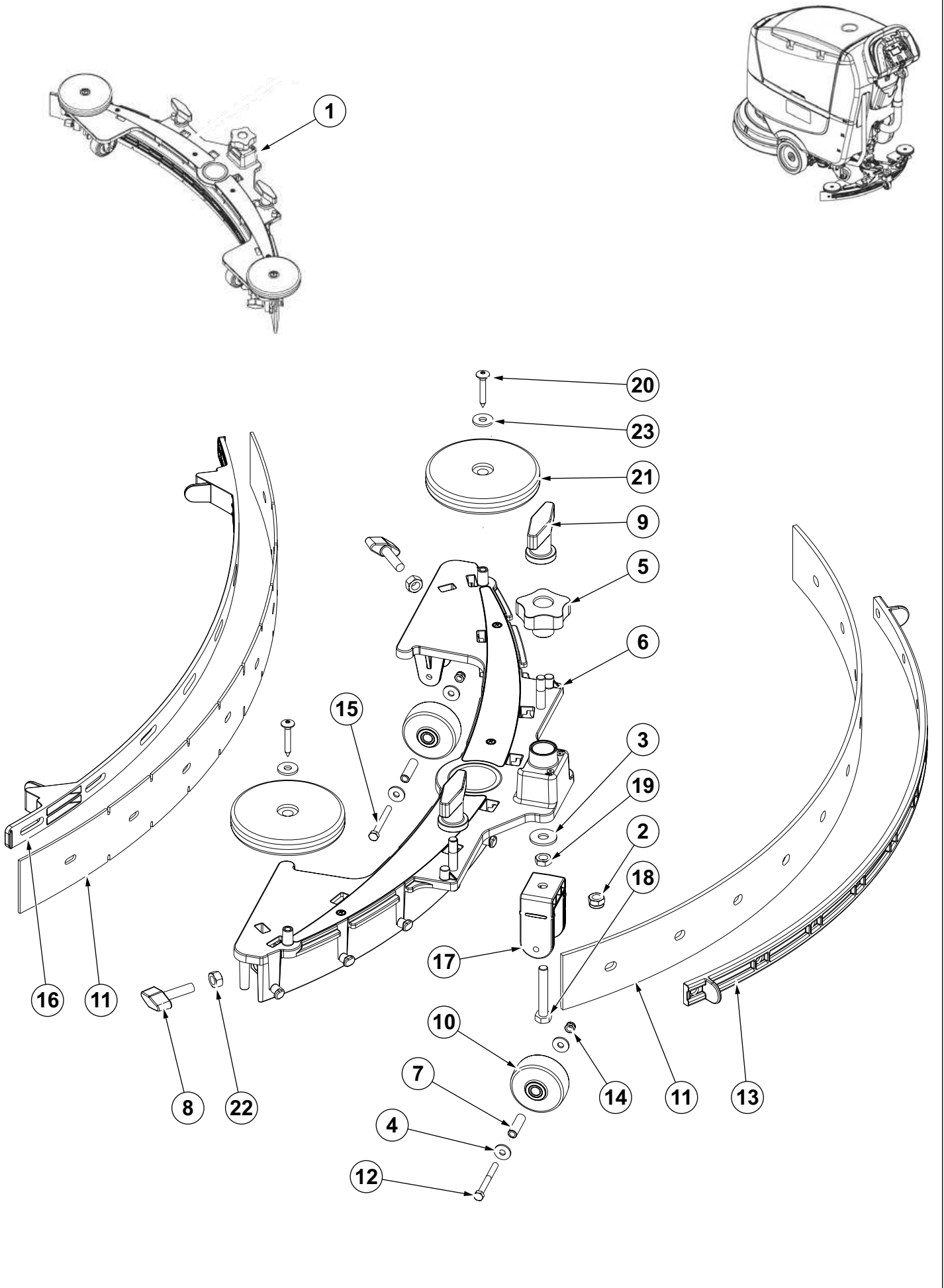
KIT	ITEM	REF. NO.	QTY	DESCRIPTION	NOTE
K1	1		4	SCREW TORX T20	
K1	2		2	SCREW 4.2X19 SELF THD HEX HD ISO10510	
	3	9100000835	1	HANDLE BAR SIP	
	4	9100000836	1	SHAFT LEVERS CONNECTION SIP	
K1	5		1	ROD POTENTIOMETER	
K1	6		2	SUPPORT F LEVER CONNECTION SHAFT	
	7	9100000837	1	POTENTIOMETER 5K SIP	
	8	9100002167	1	LEVERS RT-LT DRIVING PRE-ASSEMBLED SIP	
	12	9100002391	1	CONTROLLER DISPLAY SIP	
	<b>13*</b>	<b>56116518</b>	<b>1</b>	<b>SMART KEY - USER</b>	
	14	9100002390	1	COVER PLAST. F HANDLE BAR SIP	
	15	9100000845	1	HARNESS CONTROL PANEL SIP	
	16	9100002392	1	CONTROLLER USER INTERFACE SIP	FOR DISC VERSION
	16	9100002393	1	CONTROLLER USER INTERFACE REV SIP	FOR REV VERSION
	<b>17*</b>	<b>56116519</b>	<b>1</b>	<b>SMART KEY - SUPERVISOR</b>	
K1	18		4	SCREW 3.9X9.5 THD FORM	
K1	19		4	WASHER M6 UNI6592	
K1	20		4	SCREW CYL HD 6X30 SELF L.PLAST	
K1	21		2	SCREW 3.9X9.5 UNI6955	
	22	56116477	1	SMART KEY - PROBE	
	23	9100002399	1	DECAL SMARTKEY AND USB SIP	
[K1]	9100000745		1	PADDLE AND DASHBOARD FIXING KIT	



**REAR WHEELS SYSTEM**

KIT	ITEM	REF. NO.	QTY	DESCRIPTION	NOTE
K1	1		1	SCREW M8X100 UNI5737	
K1	2		1	SCREW M8X140 HEX HD ISO4014	
K1	3		2	SCREW M10X80 UNI5739	
K1	4		1	SCREW M10X60 UNI5739	
	5	9100002400	1	SUPPORT UPPER F SQUEEGEE KIT	(9100002404) INSTALLATION INSTRUCTIONS
	6	9100002401	1	SPRING WITH TERMINALS KIT	
K1	7		4	SCREW M10X30 UNI5931	
K1	9		2	NUT SELF L. M8 UNI7474	
K1	10		3	NUT SELF L. M10 UNI7474	
K1	11		4	WASHER M10 UNI6592	
K1	12		4	WASHER NORD LOCK M10	
K1	13		1	WASHER 10X40X2.5 UNI6593	
K1	16	9100000902	2	BEARING FLANGE IGLIDUR 2 PCS SET	
K1	20		8	BUSHING FLANGED	
	21	9100000851	1	SUPPORT REAR WHEELS-SQUEEGEE SIP	
	22	9100000853	1	SUPPORT LOWER F SQUEEGEE SIP	
	23	9100000855	1	SPRING GAS 30 KG SIP	SEE TSB-FC-2016-259 - FOR MODELS NO.: 9087352020, 9087353020, 9087354020
	24	9100000854	1	LEVER SQUEEGEE LIFT 2 PCS SET	
K1	26		1	SPACER 10.5X30X30.3	
	27	9100000856	1	WHEEL PIVOTING 2 PCS SET	
	<b>27*</b>	<b>9100001581</b>	<b>1</b>	<b>WHEEL CASTOR D.80 SS 2PCS SET</b>	
	28	9100002396	1	SLEEVE RUBBER BLACK F SUCTION HOSE SIP	
K1	29		4	CLAMP DOUBLE WIRE SPRING D.18	
K1	30		2	WASHER 8X24X2 FLAT ISO7093	
K1	31	9100000903	1	WASHER THRUST GTM 3254-015 SIP	
	32	9100000796	1	HOSES SOLUTION SYSTEM KIT	
	33	9100000860	1	FILTER WATER SIP	
	34	9100000861	1	NET WATER FILTER REINFORCED SIP	
K1	35		2	SCREW M5X10 DIN7500	
[K1]	9100000746		1	SUPPORT SQUEEGEE FIXING KIT	

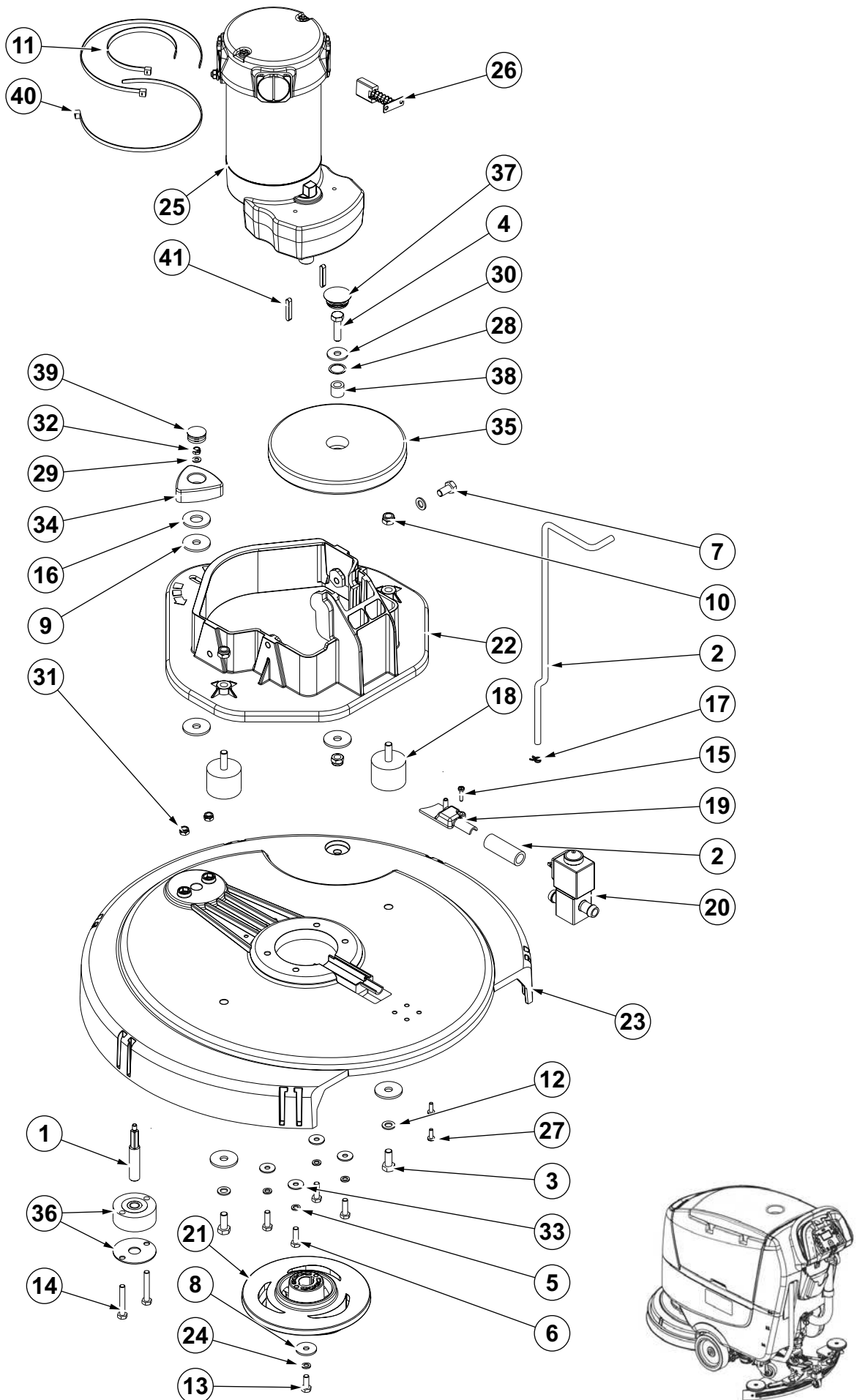
### SQUEEGEE SYSTEM



**SQUEEGEE SYSTEM**

KIT	ITEM	REF. NO.	QTY	DESCRIPTION	NOTE
	<b>1*</b>	<b>9100001366</b>	<b>1</b>	<b>SQUEEGEE NON MARKING 730MM/29 KIT</b>	
K1	2		1	NUT SELFLOCKING LOW M8 UNI7474 SS	
K1	3		1	WASHER 8X24 UNI6592 SS	
K1	4		6	WASHER 5X15X1.2 UNI6593 SS	
	5	9100000862	1	KNOB LOBES M8 FEMALE SIP	
	6	9100000747	1	SQUEEGEE 730MM/29 PRE-ASSEMBLED SIP	
K1	7	9100002408	1	SPACER 5.1X8X28.5 PLASTIC 3 PCS SET	
	8	9100000791	2	KNOB M8X30 THD STUD SS SIP	
	9	9097637000	1	SQUEEGEE FIXING KIT	
	10	9100000559	3	WHEEL D.51 GREY SIP	
	<b>11*</b>	<b>9100000810</b>	<b>1</b>	<b>BLADE SQUEEGEE 740MM 29 GUM KIT</b>	
	<b>11*</b>	<b>9100000490</b>	<b>1</b>	<b>BLADE SQUEEGEE 730MM 29 PU KIT</b>	
	<b>11*</b>	<b>9100000060</b>	<b>1</b>	<b>BLADE SQUEEGEE 730MM 29 RED GUM KIT</b>	
K1	12		1	SCREW M5X50 UNI5737 SS	
	13	9100000864	1	STRAP ELASTIC F REAR SQUEEGEE BL. SIP	
K1	14		3	NUT SELFLOCKING LOW M5 UNI7474 SS	
K1	15		2	SCREW M5X45 UNI5737 SS	
	16	9100000865	1	STRAP FRONT SQUEEGEE BLADE SIP	
	17	9100000866	1	SUPPORT SQUEEGEE WHEEL SIP	
K1	18		1	SCREW M8X50 HEX HD F/THD SS ISO4017	
K1	19		1	NUT HEX M8 ISO4035 SS	
K1	20		2	SCREW 5X35 SELF THD TAPPING AW20 BLACK	
	21	9100001816	1	WHEEL BUMPER D.100 PLASTIC 2 PCS SET	
K1	22		2	NUT HEX M8 UNI5588 SS	
K1	23		2	WASHER 6X18X1.5 UNI6593 SS	
	[K1]	9100000748	1	HARDWARE SQUEEGEE KIT	

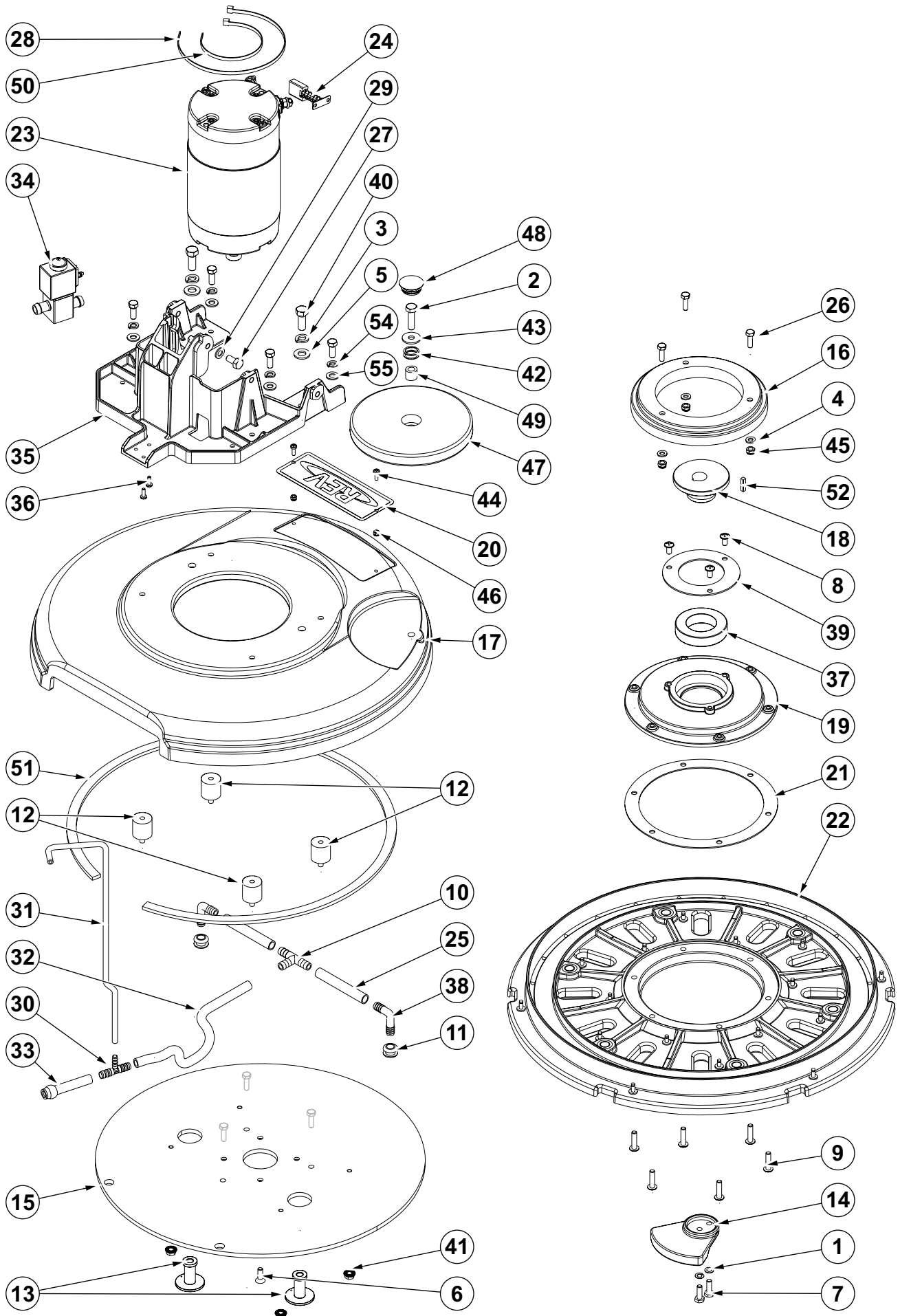
### DISC DECK SYSTEM



**DISC DECK SYSTEM**

KIT	ITEM	REF. NO.	QTY	DESCRIPTION	NOTE
K2	1		1	PIN PLATE FIXING	
	2	9100000797	1	HOSES BRUSH DECK KIT	
K3	3		2	SCREW M8X20 UNI5739 SS	
K1	4		1	SCREW M8X30 UNI5739	
K3	5		5	WASHER M6 UNI8842A SS	
K3	6		4	SCREW M6X25 UNI5739 SS	
K3	7		3	NUT SELFLOCKING LOW M8 UNI7474 SS	
K3	8		1	WASHER 6.6X24X2 UNI6593 SS	
K2	9		5	WASHER 8.5X32X2 SS	
K3	10		1	SCREW M8X16 UNI5739 SS	
K3	11		1	TIE CABLE 4.8x200 BLACK	
K3	12		3	WASHER M8 UNI8842A SS	
K3	13		1	SCREW M6X16 UNI5739 SS	
K2	14		2	SCREW M6X40 UNI5739 SS	
K3	15		2	SCREW 3.5X16 SELF THD PAN PHIL F PLASTIC	
K2	16		1	WASHER 10X30X2	
K3	17		1	CLAMP 6.6X 7	
	18	9100000868	1	VIBRATION DAMPING M8 60SH 2 PCS SET	
	19	9100000869	1	COVER SOLUTION HOSE SUPPORT SIP	
	20	9100000870	1	SOLENOID VALVE 24V SIP	
	21	9100000871	1	HUB BRUSH SIP	
	22	9100000872	1	PLATE BRUSH DECK HOLDER SIP	
	23	9100000873	1	DECK BRUSH SIP	
K3	24		1	WASHER NORD LOCK M6 DIN25201	
	25	9100000874	1	REDUCTION GEARMOTOR 450W 24V SIP	
	26	9098376000	1	CARBON BRUSHES KIT 4 PCS	
K3	27		2	SCREW PAN HD SELF 4x12 SS	
K1	28		1	WASHER 15	
K2	29		1	WASHER M5 UNI6592 SS	
K1	30		1	WASHER 8X24X2 FLAT ISO7093	
K2	31		2	NUT SELF L. M6 UNI7474 SS	
K2	32		1	NUT SELFLOCKING LOW M5 UNI7474 SS	
K3	33		4	WASHER 6X18X1.5 UNI6593 SS	
K2	34		1	KNOB	
K1	35		1	ROLLER BUMPER D.160 BLACK	
	36	L08812780	1	PLATE FIXING BRUSH KIT	
K1	37		1	CAP. BLACK	
K1	38		1	SPACER 9X15X13	
K2	39		1	CAP FOR KNOB	
K3	40		2	TIE CABLE 4.8X430 WHITE	
	41	9100000875	1	KEY 5X5X30 DIN6885 2 PCS SET	
[K1]	909 6887 000		1	ROLLER BUMPER KIT	
[K2]	9100002483		1	KNOB BRUSH SPEED ADJUSTM. KIT	
[K3]	9100000751		1	HARDWARE BRUSH DECK KIT	

REV DECK SYSTEM

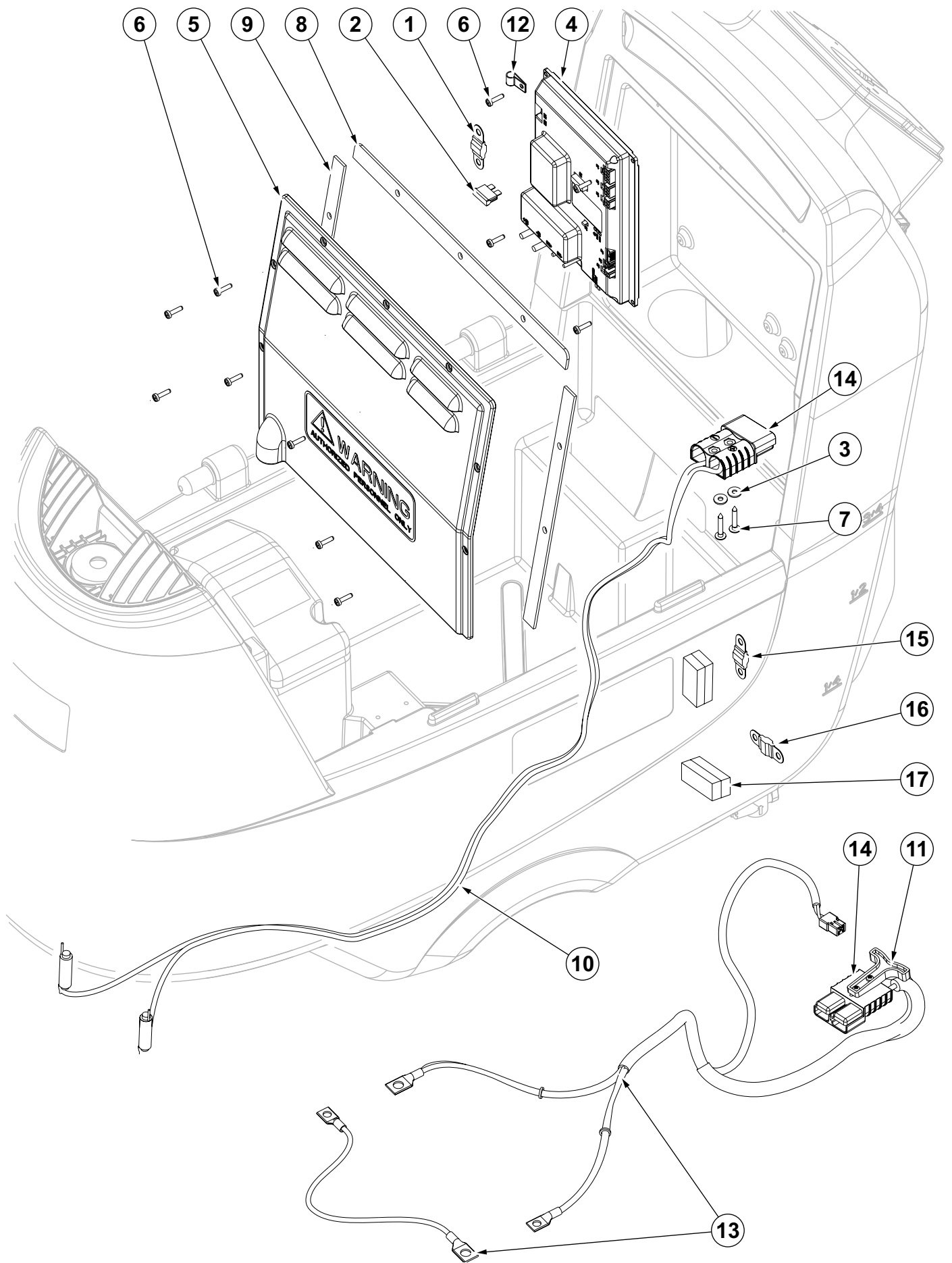




**REV DECK SYSTEM**

KIT	ITEM	REF. NO.	QTY	DESCRIPTION	NOTE
K2	1		2	WASHER LK 1/4 REGSS	
K1	2		1	SCREW M8X40 UNI5739	
K2	3		2	WASHER M10 UNI1751B	
K3	4		3	WASHER M6 UNI6592 SS	
K2	5		2	WASHER M10 UNI6592	
K2	6		4	SCREW FLT PHIL LOC 1/4-20 X 0.75	
K2	7		6	SCREW HEX LOC 1/4 20 X 0.75	
K5	8		3	SCREW PAN PHIL LOC SS 1/4 20X.50	
K2	9		6	SCREW PAN PHIL LOC SS 1/4-20 X 1.00	
K6	10		1	TEE HOSE 3/8X3/8X3/8 PLSTC	
K6	11		2	GROMMET .500 E00059	
	12	56382991	1	KIT-ISOLATOR BOOST HD	
	13	9098979000	1	STUD STABILIZER KIT	
	14	56390002	1	WEIGHT COUNTER	
	15	9100000900	1	PLATE F DECK MOTOR SIP	
K3	16		1	SHIELD SPLASH	
	17	56390012	1	HOUSING BRUSH	
K4	18		1	ECCENTRIC	
K5	19		1	DRIVER MOTOR	
	20	56390037	1	DECAL-REV EMBOSSED	
K5	21		1	GASKET DRIVER	
	22	9100002161	1	PAD DRIVER CLP SIP	
	23	9100001793	1	MOTOR ELECTRIC 350W 24V KIT	UNTIL S/N 3510163605523
	23	9100001860	1	MOTOR ELECTRIC 350W 24V SIP	STARTING FROM S/N 3510163605524
	24	9100001283	1	CARBON BRUSHES W/HOLDER SIP	
	24	L08603949	1	CARBON BRUSHES SET 4 PCS	
	24	56412287	1	MOTOR BRUSH/SPRING KIT	SCOTT MOTORS CO. BLACK (56390072)
K6	25		2	HOSE CLEAR	
K3	26		3	SCREW M6X20 UNI5739 SS	
K2	27		1	SCREW M8X16 UNI5739 SS	
K2	28		1	TIE CABLE 4.8x200 BLACK	
K2	29		1	WASHER M8 UNI8842A SS	
K6	30		1	HOLDER RUBBER T	
K6	31		1	HOSE SILICONE D.4X7	
K6	32		1	HOSE SILICONE RUBBER	
K6	33		1	HOSE SILICONE RUBBER	
	34	9100000870	1	SOLENOID VALVE 24V SIP	
	35	9100000876	1	PLATE BRUSH DECK HOLDER SIP	
K2	36		2	SCREW PAN HD SELF 4x12 SS	
K5	37		1	BEARINGBALL OBS-18 6008	
K6	38		2	HOSEBARB 3/8 X 90 DEG	
K5	39		1	RETAINER BEARING	
K2	40		2	SCREW 3/8-24 X 1 HEX HEAD	
K2	41		4	NUT HEX SERRATED FLANGE1/4-20	
K1	42		2	WASHER 15	
K1	43		1	WASHER 8X24X2 FLAT ISO7093	
K2	44		2	SCREW M4X12 UNI7687	
K3	45		3	NUT SELF L. M6 UNI7474 SS	
K2	46		2	NUT SELF L. M4 UNI7474 SS	
K1	47		1	ROLLER BUMPER D.160 BLACK	
K1	48		1	CAP. BLACK	
K1	49		1	SPACER 9X15X13	
K2	50		1	TIE CABLE 4.8X430 WHITE	
	51	9100000901	1	GASKET ADHESIVE 12X5 L.1090MM SIP	
K4	52		1	KEY 3/16 X 3/16 X 3/4 LG	
	[K1]	9100000749	1	ROLLER BUMPER D.160 BLACK KIT	
	[K2]	9100000756	1	HARDWARE BRUSH DECK KIT	
	[K3]	9098982000	1	SPLASH GUARD KIT	
	[K4]	9098984000	1	KIT-ECCENTRIC	
	[K5]	9098983000	1	DRIVER KIT	
	[K6]	9100000757	1	HOSES BRUSH DECK KIT	

### ELECTRICAL COMPONENTS SYSTEM



**ELECTRICAL COMPONENTS SYSTEM**

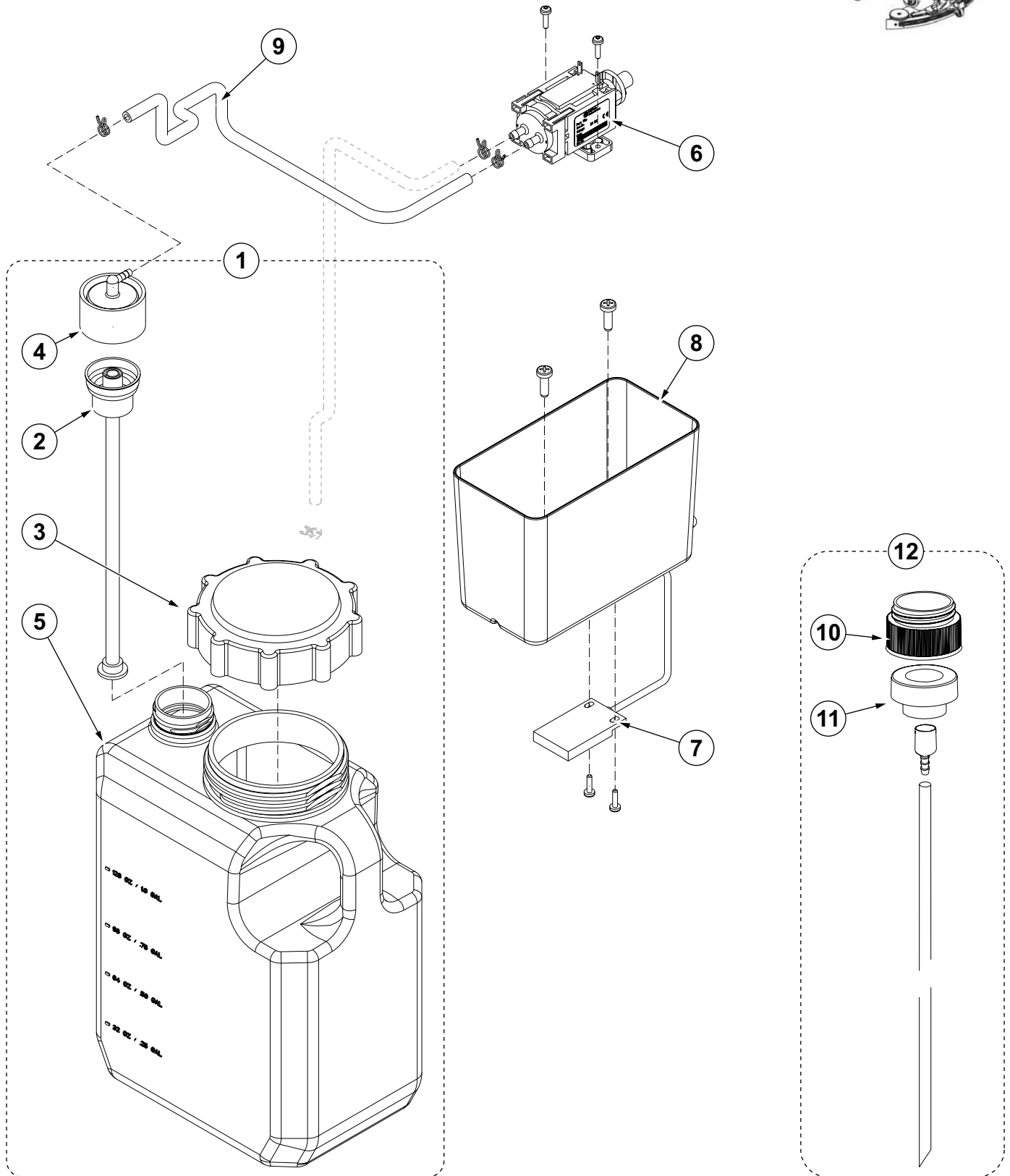
KIT	ITEM	REF. NO.	QTY	DESCRIPTION	NOTE
	1	9100000877	1	FUSE MIDIFUSE 100A SIP	
	2	9100000878	1	FUSE BLADE 3A SIP	
K2	3		4	WASHER 5X15X1.5 UNI6593	
	4	9100000879	1	CONTROLLER MAIN MACHINE SIP	FOR MODELS NO.: 9087352020, 9087353020, 9087354020
	4	9100002397	1	CONTROLLER MAIN MACHINE SIP	FOR MODELS NO.: 9087403020, 9087405020, 9087404020
	5	9100000880	1	COVER BOX ELECTRIC COMP. SIP	
K2	6		11	SCREW CYL HD 4X16 SELF L. PLAS	
K2	7		3	SCREW 5X35 SELF THD TAPPING AW20 BLACK	
K1	8		1	GASKET UPPER ELECTRONIC COVER	
K1	9		2	GASKET SIDE ELECTRONIC COVER	
	10	9100002232	1	HARNESS MACHINE SC500 53B/20B SIP	FOR ALL VERSIONS <b>NOTE ONLY FOR REV VERSION - STARTING FROM S/N 3510163605524</b>
	10	9100001863	1	HARNESS MACHINE SC500 20R SIP	ONLY FOR REV VERSION - UNTIL S/N 3510163605523 - SEE TSB-FC-2016-009
	11	9100000885	1	HANDLE FOR BATTERY CONNECTOR SIP	
K2	12		1	CLAMP CABLE BLACK	
	13	9100000887	1	HARNESS BATTERY US SIP	
	14	9100002117	1	CONNECTOR RED 120A 2 PCS SET	
	15	9100002233	1	FUSE BOLT DOWN 30A SIP	
	16	9100002234	1	FUSE BOLT DOWN 50A SIP	
	17	9100002235	2	HOLDER FUSE SIP	
[K1]	9100000798		1	GASKETS COVER KIT	
[K2]	9100000799		1	HARDWARE ELECT. COMPONENTS KIT	



**BATTERY CHARGER SYSTEM**

KIT	ITEM	REF. NO.	QTY	DESCRIPTION	NOTE
	1		3	TIE CABLE 4.8x200 BLACK	
	2		1	TIE CABLE 2.9x130 BLACK	
	3		1	HOLDER.FLAT TIE	
	4		1	SCREW CYL HD 5X16 SELF L. PLASTOFAST	
	5	9100000888	1	CHARGER BATT. O/B 24V 13A 100-230V SIP	SEE TSB-FC-2016-010
	6		4	SCREW 3.5X12	
	7	9100000890	1	CABLE EXTENSION US PLUG L.2000MM SIP	

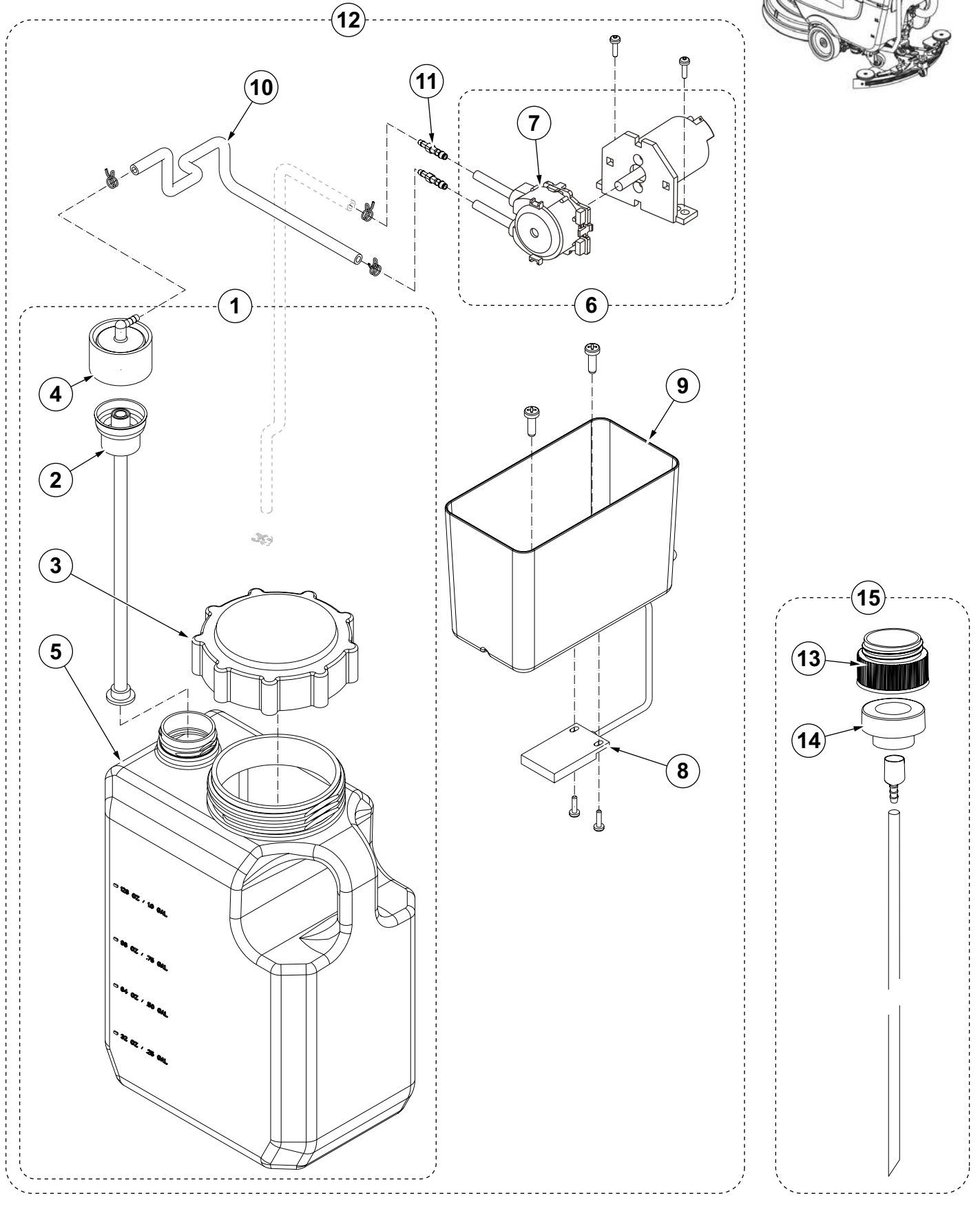
ECOFLEX SYSTEM (Models No.: 9087352020, 9087353020, 9087354020)



**ECOFLEX SYSTEM (Models No.: 9087352020, 9087353020, 9087354020)**

KIT	ITEM	REF. NO.	QTY	DESCRIPTION	NOTE
	1	56104190	1	DETERGENT TANK	
	2	56104189	1	INSERT-DRY BRAKE	
	3	9100001817	1	CAP PLASTIC F CHEMICAL TANK SIP	
	4	56315523	1	CAP DRY BREAK 1/8 BARB	
	5	9100001081	1	DETERGENT TANK SIP	
	6	9100001819	1	PUMP DETERGENT MIX KIT	
	7	9100000893	1	SENSOR WATER LEVEL SIP	
	8		1	SUPPORT WATER LEVEL SENSOR	
	9	9100000891	1	HOSE SILICONE D.4X7 L.300MM SIP	
	10	9097023000	1	ADAPTER DETERGENT TANK	
	11	9097022000	1	SENSOR DETERGENT MIX LEVEL	
	<b>12*</b>	<b>9098025000</b>	<b>1</b>	<b>ADAPTER DETERGENT KIT</b>	

**ECOFLEX SYSTEM (Models No.: 9087403020, 9087405020, 9087404020)**



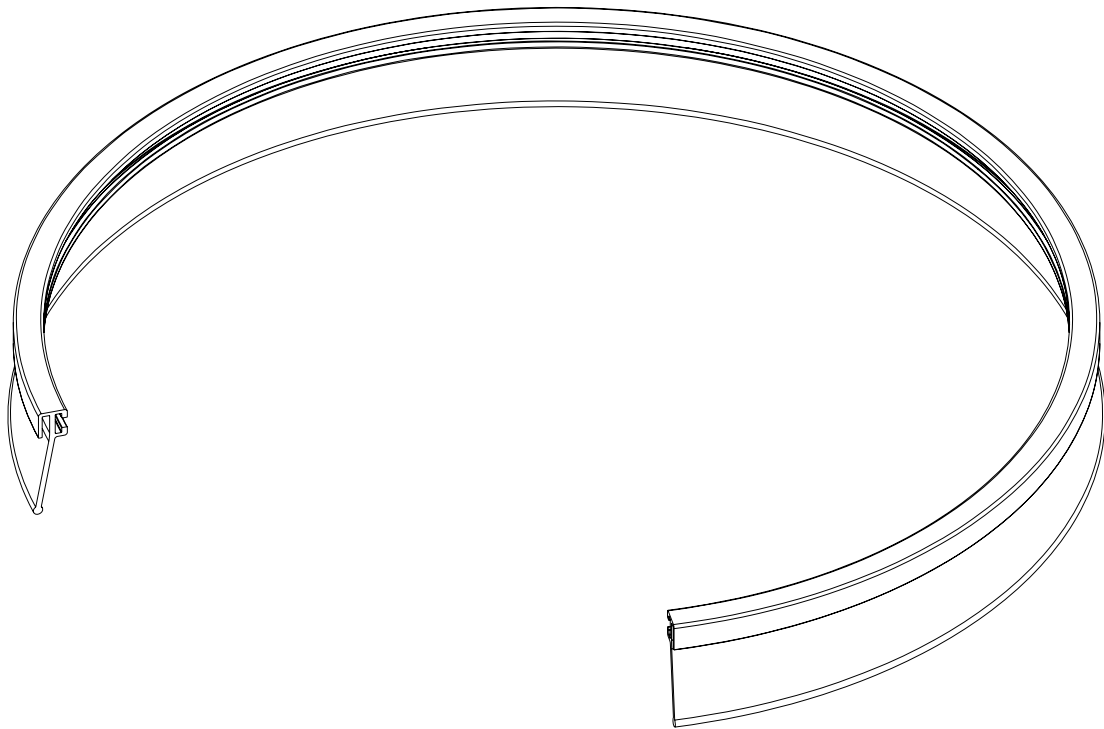


**ECOFLEX SYSTEM (Models No.: 9087403020, 9087405020, 9087404020)**

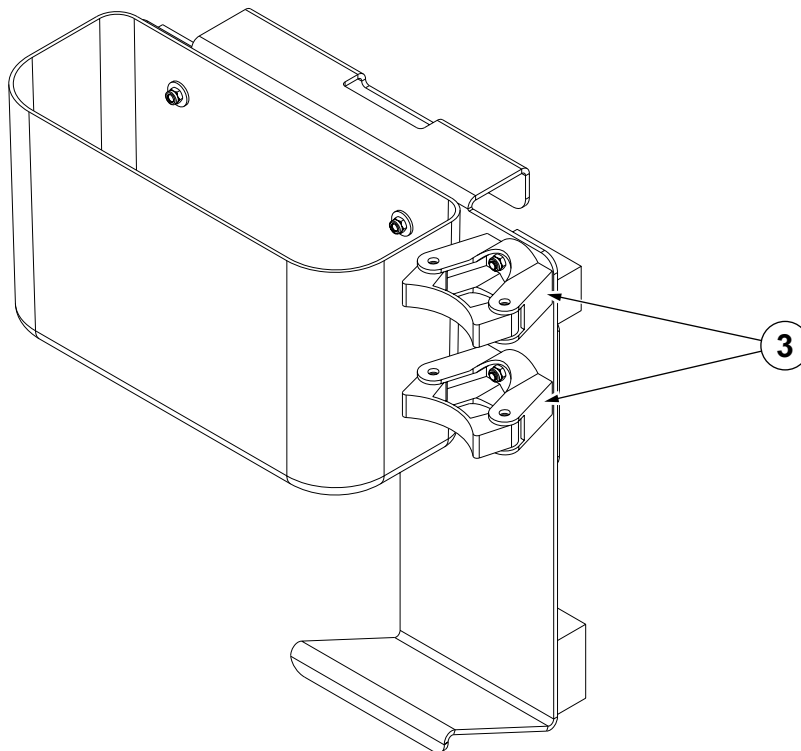
KIT	ITEM	REF. NO.	QTY	DESCRIPTION	NOTE
	1	56104190	1	DETERGENT TANK	
	2	56104189	1	INSERT-DRY BRAKE	
	3	9100001817	1	CAP PLASTIC F CHEMICAL TANK SIP	
	4	56315523	1	CAP DRY BREAK 1/8 BARB	
	5	9100001081	1	DETERGENT TANK SIP	
	6	9100002398	1	PUMP DETERG. MIX PERISTALTIC 24V SIP	
	7	9100002388	1	HEAD PERISTALTIC PUMP DETERG. SIP	
	8	9100000893	1	SENSOR WATER LEVEL SIP	
	9		1	SUPPORT WATER LEVEL SENSOR	
	10	9100000891	1	HOSE SILICONE D.4X7 L.300MM SIP	
	11	9100002402	1	BARB HOSE STRAIGHT D.5-D.4 PLAST. 2 PCS SET	
	<b>12*</b>	<b>9100002395</b>	<b>1</b>	<b>ECOFLEX DETERGENT KIT SC500</b>	(9100002394) INSTALLATION INSTRUCTIONS
	13	9097023000	1	ADAPTER DETERGENT TANK	
	14	9097022000	1	SENSOR DETERGENT MIX LEVEL	
	<b>15*</b>	<b>9098025000</b>	<b>1</b>	<b>ADAPTER DETERGENT KIT</b>	

**SPLASH GUARD, MOP AND TRASH**

1



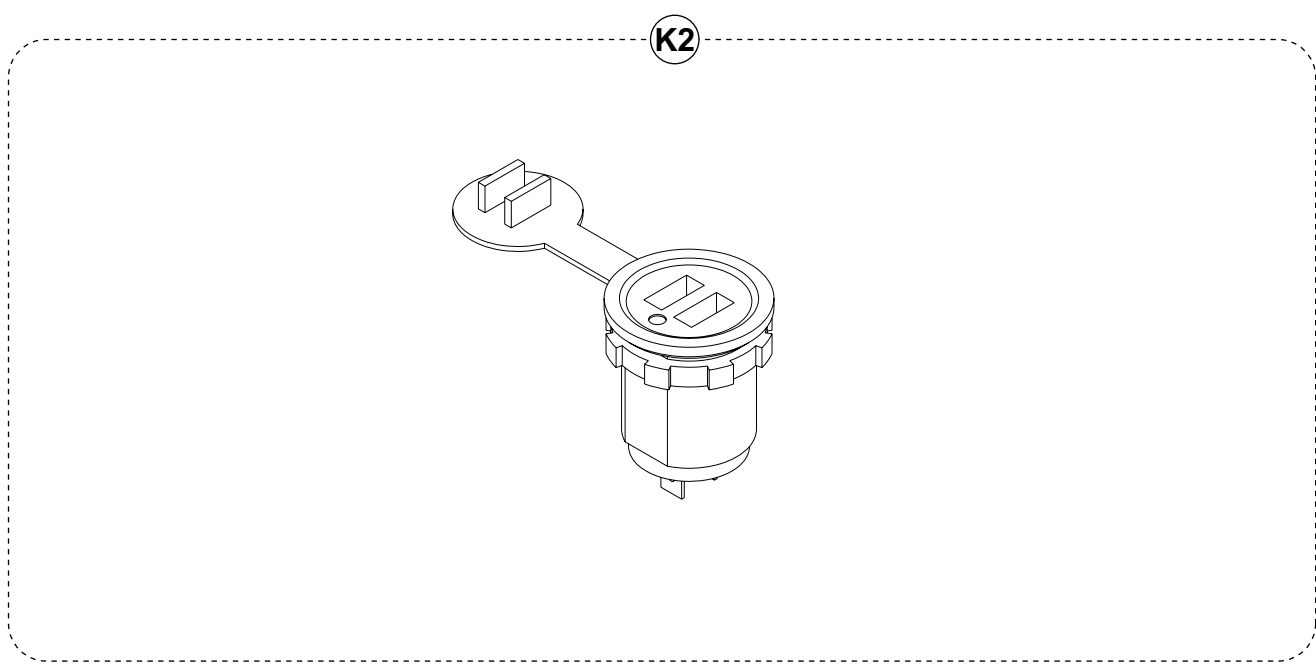
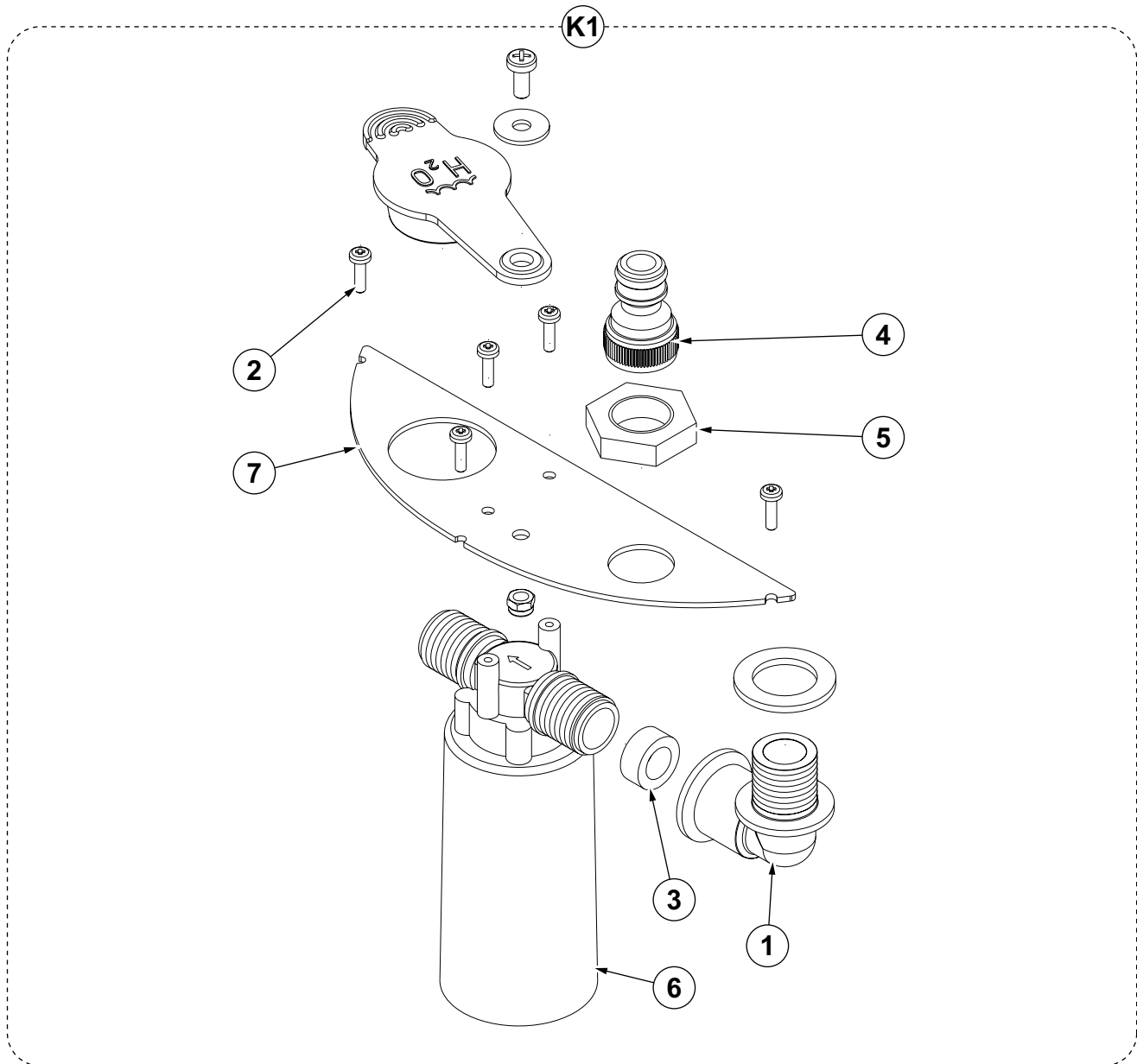
2



**SPLASH GUARD, MOP AND TRASH**

KIT	ITEM	REF. NO.	QTY	DESCRIPTION	NOTE
	1*	9100001441	1	SPLASH GUARD CPL F BRUSH DECK SIP	
	2*#	9100002280	1	MOP AND TRASH KIT	(9100002279) INSTALLATION INSTRUCTIONS
	3	9100001369	2	MOP KIT	

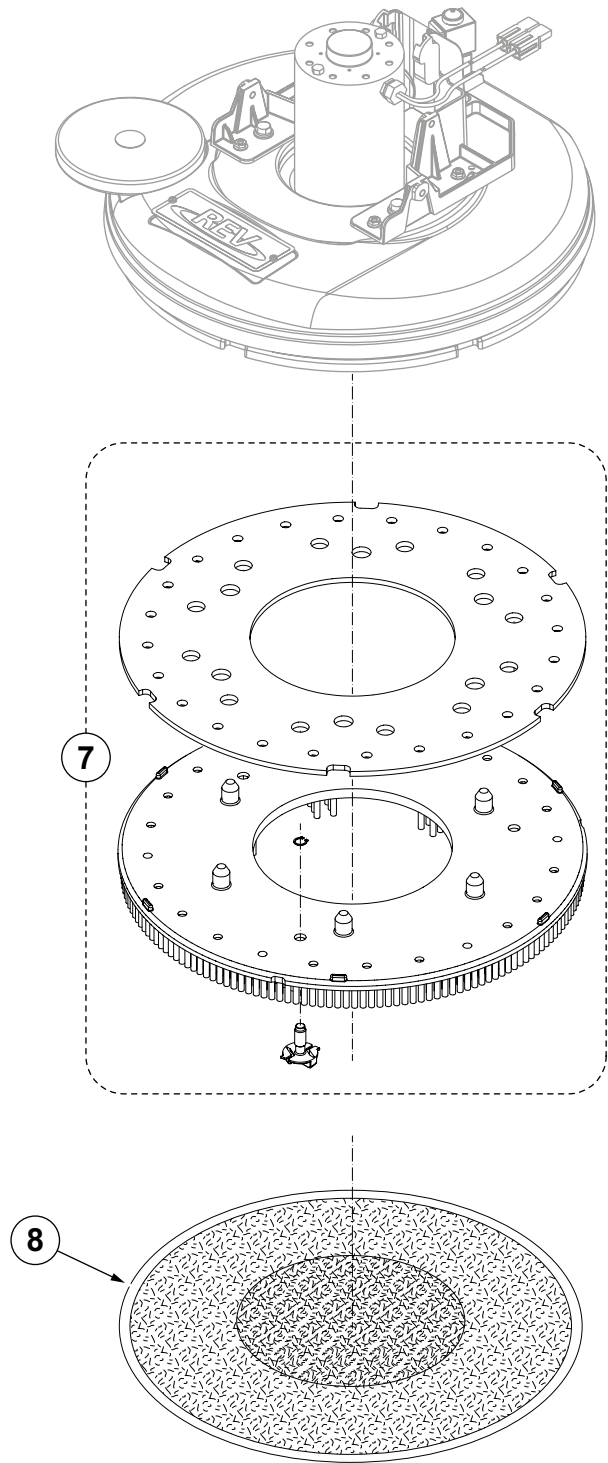
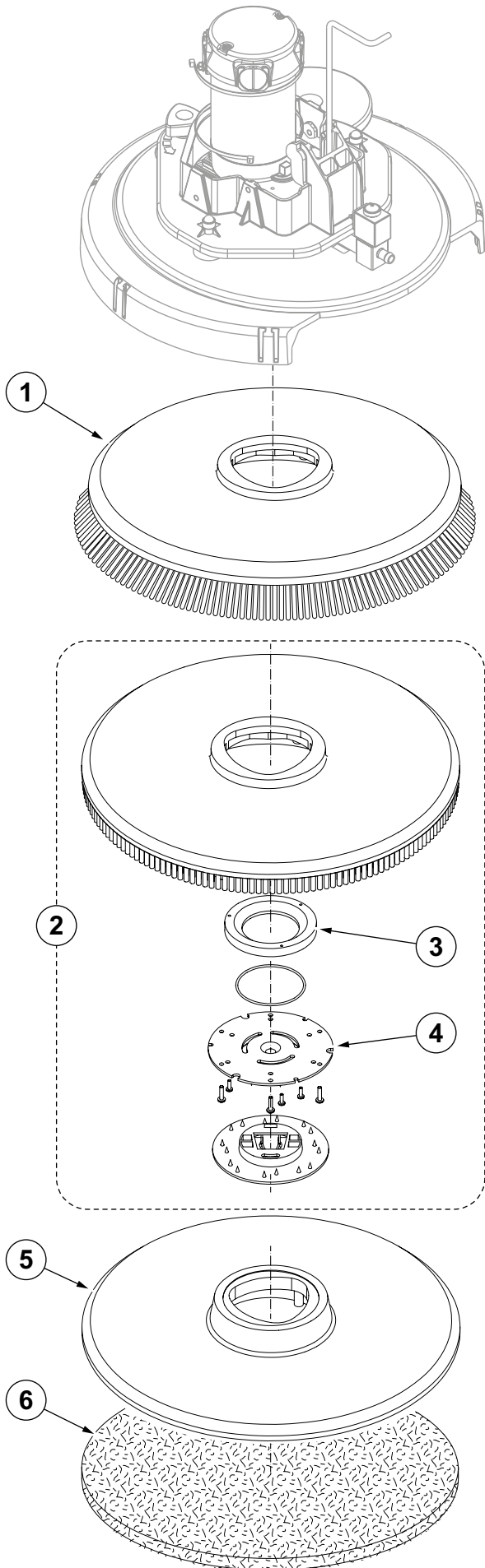
**WATER FILLING, USB PORT**



**WATER FILLING, USB PORT**

<b>KIT</b>	<b>ITEM</b>	<b>REF. NO.</b>	<b>QTY</b>	<b>DESCRIPTION</b>	<b>NOTE</b>
K1	1	9100000894	1	ELBOW CURVED M/F SIP	
K1	8		5	SCREW 3.5X10 THD FORMING SS	
K1	3	9100000622	1	GASKET RUBBER D.11.5X19 H8 BLACK SIP	
K1	4		1	FITTING QUICK 1/2 GAS	
K1	5		1	NUT G 1/2 DIN 431 A SS	
K1	6	9100000897	1	VALVE WATER STOP SIP	
K1	7	9100000898	1	SUPPORT WATER STOP SIP	
	<b>K1*</b>	<b>9100000005</b>	<b>1</b>	<b>AUTOMATIC WATER FILLING KIT</b>	
	<b>K2*</b>	<b>9100002403</b>	<b>1</b>	<b>USB PORT KIT</b>	(9100002406) INSTALLATION INSTRUCTIONS FOR MODELS NO.: 9087403020, 9087405020, 9087404020

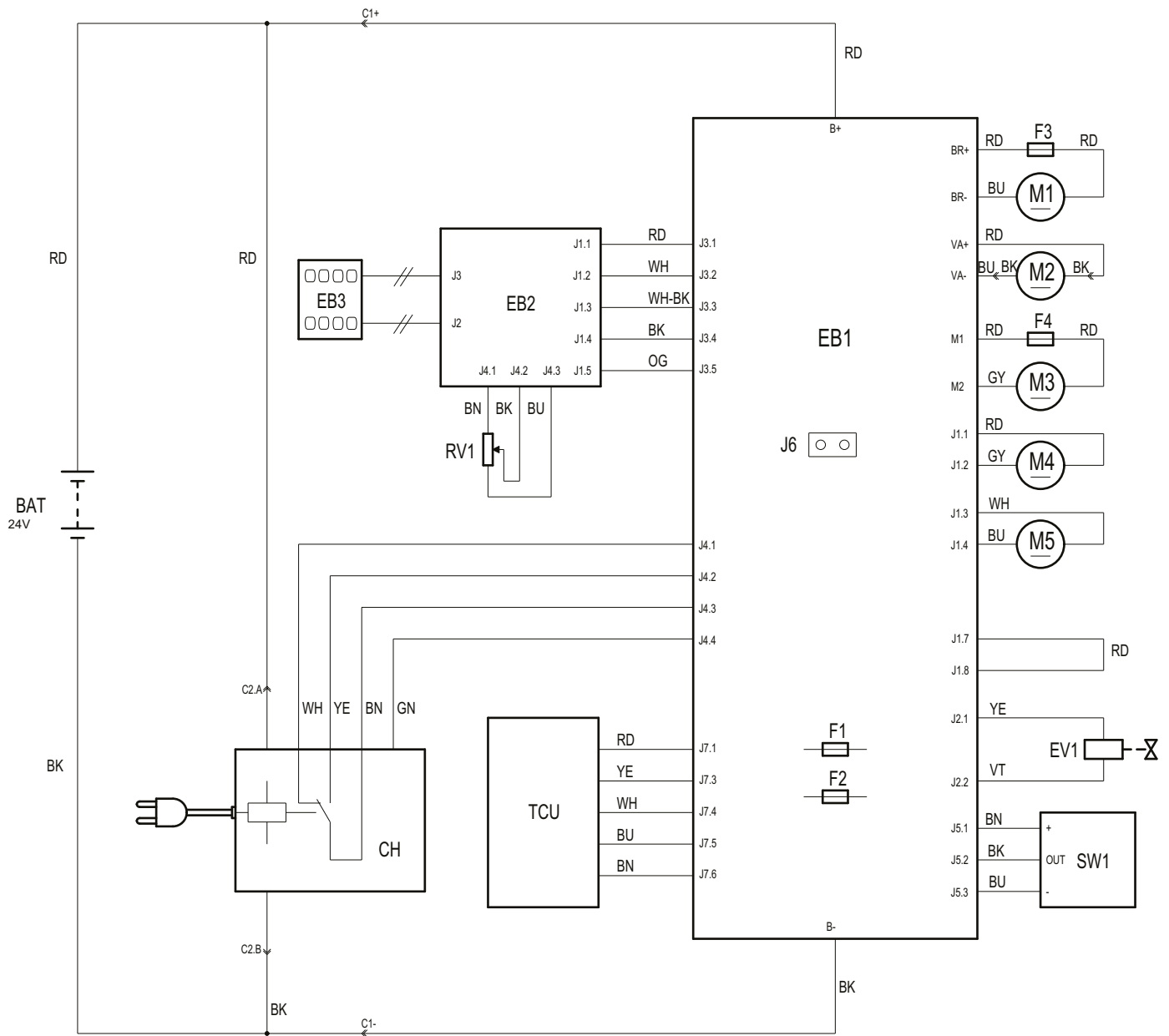
BRUSHES



## BRUSHES

KIT	ITEM	REF. NO.	QTY	DESCRIPTION	NOTE
	1*	L08837025	1	BRUSH DISC 530MM 21 PROLENE	
	1*	L08837026	1	BRUSH DISC 530MM 21 PROLITE	
	1*	L08837027	1	BRUSH DISC 530MM 21 UNION MIX	
	1*	L08837028	1	BRUSH DISC 530MM 21 MIDLITE GRIT 180	
	1*	L08837029	1	BRUSH DISC 530MM 21 MID GRIT 240	
	1*	L08837065	1	BRUSH DISC 530MM 21 MAGNA GRIT 46	
	1*	L08837066	1	BRUSH DISC 530MM 21 DYNA GRIT 80	
	1*	L08837067	1	BRUSH DISC 530MM 21 AGLITE GRIT 500	
	2*	L08837018	1	PAD HOLDER 530MM	
	3	L08603966	1	RING NYLON	
	4	56505195	1	PAD RETAINER	
	5*	9099671000	1	PAD HOLDER FLAT 20 508MM	
	6*	10001955	1	PAD 20 508MM ECO BLACK 5PCS	
	6*	10001956	1	PAD 20 508MM ECO BLUE 5PCS	
	6*	10001957	1	PAD 20 508MM ECO BROWN 5PCS	
	6*	10001958	1	PAD 20 508MM ECO GREEN 5PCS	
	6*	10001959	1	PAD 20 508MM ECO RED 5PCS	
	6*	10001960	1	PAD 20 508MM ECO WHITE 5PCS	
	6*	10002348	1	PAD 20 508MM ECO BRILLIANCE RED 2PCS	
	6*	10002349	1	PAD 20 508MM ECO BRILLIANCE BLUE 2PCS	
	6*	10002350	1	PAD 20 508MM ECO BRILL. YELLOW 2PCS	
	6*	10002351	1	PAD 20 508MM ECO BRILLIANCE GREEN 2PCS	
	7*	56390008	1	BRUSH NYLON REV	
	8*	56390079	1	MICROFIBER PAD	

**WIRING DIAGRAM (Models No.: 9087352020, 9087353020, 9087354020)**





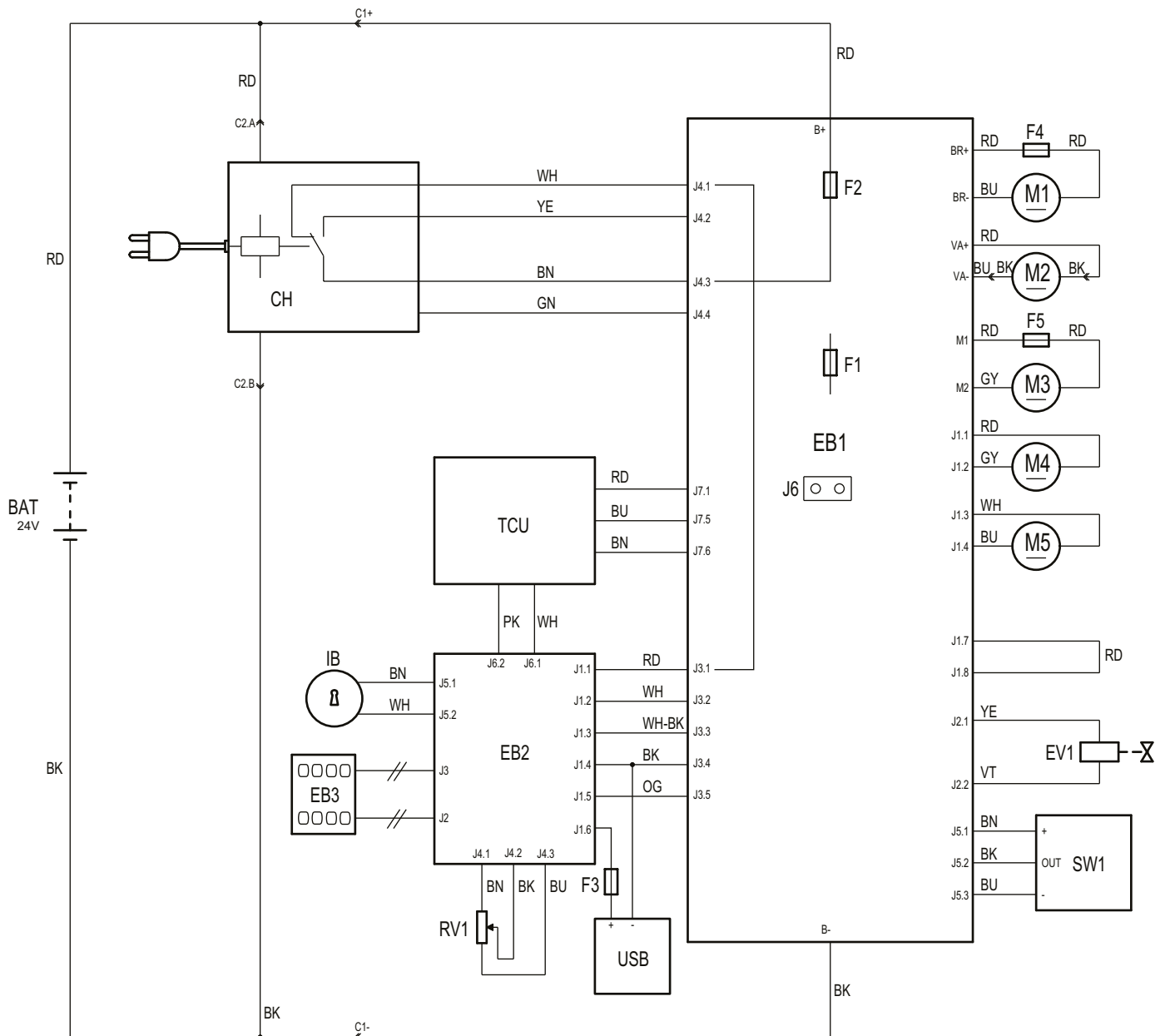
**WIRING DIAGRAM (Models No.: 9087352020, 9087353020, 9087354020)**

KEY	REF. NO.	DESCRIPTION	NOTE
BAT	-	24 V BATTERIES	
C1	9100002117	CONNECTOR RED 120A 2 PCS SET	
C2	-	BATTERY CHARGER MAIN CONNECTOR	
C3	-	BATTERY CHARGER SUB-CONNECTOR	
CH	9100000888	CHARGER BATT. O/B 24V 13A 100-230V SIP	
EB1	9100000879	CONTROLLER MAIN MACHINE SIP	
EB2	9100000842	CARD DISPLAY SIP	
EB3	9100000846	DASHBOARD CONTROL PANEL SIP	FOR DISC VERSION
	9100000847	DASHBOARD CONTROL PANEL SIP	FOR REV VERSION
EV1	9100000870	SOLENOID VALVE 24V SIP	
F1	9100000877	FUSE MIDIFUSE 100A SIP	
F2	9100000878	FUSE BLADE 3A SIP	
F3	9100002233	FUSE BOLT DOWN 30A SIP	
F4	9100002234	FUSE BOLT DOWN 50A SIP	
M1	9100000874	REDUCTION GEARMOTOR 450W 24V SIP	FOR DISC VERSION
	9100001860	MOTOR 24VDC SIP	FOR REV VERSION
M2	9100000823	MOTOR VACUUM 24V 280W SIP	
M3	9100000921	MOTOR ELECTRIC 200W 24V	
M4	9100001819	PUMP DETERGENT MIX KIT	
M5	9100000805	ACTUATOR LINEAR 24V DC STRK 120MM SIP	FOR DISC VERSION
	9100000806	ACTUATOR LINEAR 24V DC STRK 98MM SIP	FOR REV VERSION
RV1	9100000837	POTENTIOMETER 5K SIP	
SW1	9100000893	SENSOR WATER LEVEL SIP	
TCU	-	TRACKUNIT PUSH-BUTTON (OPTIONAL)	

KEY	COLOUR
BK	BLACK
BU	LIGHT BLUE
BN	BROWN
GN	GREEN
GY	GREY
OG	ORANGE

KEY	COLOUR
PK	PINK
RD	RED
VT	VIOLET
WH	WHITE
YE	YELLOW

WIRING DIAGRAM (Models No.: 9087403020, 9087405020, 9087404020)



**WIRING DIAGRAM (Models No.: 9087403020, 9087405020, 9087404020)**

KEY	REF. NO.	DESCRIPTION	NOTE
BAT	-	24 V BATTERIES	
C1	9100002117	CONNECTOR RED 120A 2 PCS SET	
C2	-	BATTERY CHARGER MAIN CONNECTOR	
C3	-	BATTERY CHARGER SUB-CONNECTOR	
CH	9100000888	CHARGER BATT. O/B 24V 13A 100-230V SIP	
EB1	9100002397	CONTROLLER MAIN MACHINE SIP	
EB2	9100002391	CONTROLLER DISPLAY SIP	
EB3	9100002392	CONTROLLER USER INTERFACE SIP	FOR DISC VERSION
	9100002393	CONTROLLER USER INTERFACE REV SIP	FOR REV VERSION
EV1	9100000870	SOLENOID VALVE 24V SIP	
F1	9100000877	FUSE MIDIFUSE 100A SIP	
F2	9100000878	FUSE BLADE 3A SIP	
F3	-	USB FUSE	
F4	9100002233	FUSE BOLT DOWN 30A SIP	
F5	9100002234	FUSE BOLT DOWN 50A SIP	
IB	56116477	SMART KEY - PROBE	
M1	9100000874	REDUCTION GEARMOTOR 450W 24V SIP	FOR DISC VERSION
	9100001860	MOTOR 24VDC SIP	FOR REV VERSION
M2	9100000823	MOTOR VACUUM 24V 280W SIP	
M3	9100000921	MOTOR ELECTRIC 200W 24V	
M4	9100002398	PUMP DETERG. MIX PERISTALTIC 24V SIP	
M5	9100000805	ACTUATOR LINEAR 24V DC STRK 120MM SIP	FOR DISC VERSION
	9100000806	ACTUATOR LINEAR 24V DC STRK 98MM SIP	FOR REV VERSION
RV1	9100000837	POTENTIOMETER 5K SIP	
SW1	9100000893	SENSOR WATER LEVEL SIP	
TCU	-	TRACKUNIT PUSH-BUTTON (OPTIONAL)	
USB	9100002403	USB PORT KIT	

**KEY COLOUR**

BK	BLACK
BU	LIGHT BLUE
BN	BROWN
GN	GREEN
GY	GREY
OG	ORANGE

**KEY COLOUR**

PK	PINK
RD	RED
VT	VIOLET
WH	WHITE
YE	YELLOW

**RECOMMENDED PARTS**

REF. NO.	QTY	DESCRIPTION	NOTE
<b>NORMAL WEAR</b>			
910000829	1	BAND ELASTIC F EXTENSION CABLE SIP	
910000810	1	BLADE SQUEEGEE 740MM 29 GUM KIT	
910000490	1	BLADE SQUEEGEE 730MM 29 PU KIT	
910000060	1	BLADE SQUEEGEE 730MM 29 RED GUM KIT	
910000922	1	CARBON BRUSHES KIT 2 PCS	
9098376000	1	CARBON BRUSHES KIT 4 PCS	FOR DISC VERSION
<b>ORDINARY MAINTENANCE</b>			
910000794	1	CABLE SAFETY F TANK KIT	
910000812	1	HOSE DRAIN BLACK SIP	
910000889	1	CLIP HOSE STOPPING 2 PCS SET	
910000816	1	HOSE SUCTION BLACK SIP	
910000904	1	MOTOR VACUUM 24V 280W CPL KIT	
910000819	1	GASKET BULB RUBBER L.1670MM SIP	
910000921	1	MOTOR ELECTRIC 200W 24V	
910000823	1	MOTOR VACUUM 24V 280W SIP	
910000739	1	GASKETS VACUUM MOTOR KIT	
910000830	1	WHEEL D.200X50 GREY-BLACK 2 PCS SET	
910000843	1	KEY OPERATOR COMPLETE SIP	Models No.: 9087352020, 9087353020, 9087354020
56116518	1	SMART KEY - USER	Models No.: 9087403020, 9087405020, 9087404020
56116477	1	SMART KEY - PROBE	
910000902	2	BEARING FLANGE IGLIDUR 2 PCS SET	
910000855	1	SPRING GAS 30 KG SIP	
910000856	1	WHEEL PIVOTING 2 PCS SET	
9100002396	1	SLEEVE RUBBER BLACK F SUCTION HOSE SIP	
910000903	1	WASHER THRUST GTM 3254-015 SIP	
910000796	1	HOSES SOLUTION SYSTEM KIT	
910000861	1	NET WATER FILTER REINFORCED SIP	
910000559	3	WHEEL D.51 GREY SIP	
910000864	1	STRAP ELASTIC F REAR SQUEEGEE BLADE SIP	
910000865	1	STRAP FRONT SQUEEGEE BLADE SIP	
9100001816	1	GUIDE WHEEL 2 PCS SET	
910000797	1	HOSES BRUSH DECK KIT	
910000870	1	SOLENOID VALVE 24V SIP	
910000871	1	HUB BRUSH SIP	
910000874	1	REDUCTION GEARMOTOR 450W 24V SIP	FOR DISC VERSION
9100001860	1	MOTOR 24VDC SIP	FOR REV VERSION
9100001283	1	CARBON BRUSHES W/HOLDER SIP	FOR REV VERSION
L08603949	1	CARBON BRUSHES SET 4 PCS	FOR REV VERSION
910000901	1	GASKET ADHESIVE 12X5 L.1090MM SIP	FOR REV VERSION
910000798	1	GASKETS COVER KIT	
<b>EXTRA ORDINARY MAINTENANCE</b>			
910000803	1	VALVE ELBOW SIP	
9098446000	1	HOSE SOLUTION	
909 6380 000	1	CLAMP KIT	
910000899	1	FILTER WATER INLET SIP	
910000805	1	ACTUATOR LINEAR 24V DC STRK 120MM SIP	FOR DISC VERSION
910000806	1	ACTUATOR LINEAR 24V DC STRK 98MM SIP	FOR REV VERSION
910000808	1	RUBBER SOLUTION CAP SIP	
910000703	1	HOSE FILLING SIP	
910000743	1	MOTOR DRIVE 200W 24V SIP	
910000820	1	HARNESS VACUUM MOTOR SIP	
9100001875	1	SUPPORT FLOAT KIT	
910000837	1	POTENTIOMETER 5K SIP	
910000842	1	CARD DISPLAY SIP	Models No.: 9087352020, 9087353020, 9087354020
9100002391	1	CONTROLLER DISPLAY SIP	Models No.: 9087403020, 9087405020, 9087404020
910000845	1	HARNESS CONTROL PANEL SIP	
910000846	1	DASHBOARD CONTROL PANEL SIP DISC VERSION	Models No.: 9087352020, 9087353020, 9087354020
910000847	1	DASHBOARD CONTROL PANEL SIP REV VERSION	
9100002392	1	CONTROLLER USER INTERFACE SIP	Models No.: 9087403020, 9087405020, 9087404020
9100002393	1	CONTROLLER USER INTERFACE REV SIP	
910000848	1	KEY SERVICE COMPLETE SIP	Models No.: 9087352020, 9087353020, 9087354020

**RECOMMENDED PARTS - ACCESSORIES/OPTIONALS**

REF. NO.	QTY	DESCRIPTION	NOTE
56116519	1	SMART KEY - SUPERVISOR	Models No.: 9087403020, 9087405020, 9087404020
9100000860	1	FILTER WATER SIP	
9100000747	1	SQUEEGEE 730MM/29 PRE-ASSEMBLED SIP	
9100000868	1	VIBRATION DAMPING M8 60SH 2 PCS SET	FOR REV VERSION
9100000873	1	DECK BRUSH SIP	FOR DISC VERSION
56382991	1	KIT-ISOLATOR BOOST HD	FOR REV VERSION
9100000879	1	CONTROLLER MAIN MACHINE SIP	Models No.: 9087352020, 9087353020, 9087354020
9100002397	1	CONTROLLER MAIN MACHINE SIP	Models No.: 9087403020, 9087405020, 9087404020
9100002232	1	HARNESS MACHINE SC500 53B/20B SIP	FOR ALL VERSIONS <b>NOTE ONLY FOR REV VERSION - STARTING FROM S/N 3510163605524</b>
9100001863	1	HARNESS MACHINE SC500 20R SIP	ONLY FOR REV VERSION - UNTIL S/N 3510163605523 - SEE TSB-FC-2016-009
9100002117	1	CONNECTOR RED 120A 2 PCS SET	
9100000888	1	CHARGER BATT. O/B 24V 13A 100-230V SIP	
9100001819	1	KIT PUMP DETERGENT MIX	Models No.: 9087352020, 9087353020, 9087354020
9100002398	1	PUMP DETERG. MIX PERISTALTIC 24V SIP	Models No.: 9087403020, 9087405020, 9087404020
9100000893	1	SENSOR WATER LEVEL SIP	
<b>ACCESSORIES/OPTIONAL</b>			
9100000703	1	HOSE FILLING SIP	
9100000491	1	HIGH POWER VACUUM MOTOR 24V 450W KIT	
9100000795	1	TRAY DEBRIS KIT	
9100000843	1	KEY OPERATOR COMPLETE SIP	Models No.: 9087352020, 9087353020, 9087354020
9100000848	1	KEY SERVICE COMPLETE SIP	
56116518	1	SMART KEY - USER	Models No.: 9087403020, 9087405020, 9087404020
56116519	1	SMART KEY - SUPERVISOR	
9100002403	1	USB PORT KIT	
909 5065 000	1	FILTER ANTIFOAMING	
9100001366	1	SQUEEGEE NON MARKING 730MM/29 KIT	
9100000810	1	BLADE SQUEEGEE 740MM 29 GUM KIT	
9100000490	1	BLADE SQUEEGEE 730MM 29 PU KIT	
9100000060	1	BLADE SQUEEGEE 730MM 29 RED GUM KIT	
9100002395	1	ECOFLEX DETERGENT KIT SC500	Models No.: 9087403020, 9087405020, 9087404020
9098025000	1	ADAPTER DETERGENT KIT	
9100001441	1	SPLASH GUARD 510MM 20 KIT	
#	9100002280	MOP AND TRASH KIT	(9100002279) INSTALLATION INSTRUCTIONS
	9100000005	AUTOMATIC WATER FILLING KIT	
	L08837025	BRUSH DISC 530MM 21 PROLENE	FOR DISC VERSION
	L08837026	BRUSH DISC 530MM 21 PROLITE	FOR DISC VERSION
	L08837027	BRUSH DISC 530MM 21 UNION MIX	FOR DISC VERSION
	L08837028	BRUSH DISC 530MM 21 MIDLITE GRIT 180	FOR DISC VERSION
	L08837029	BRUSH DISC 530MM 21 MID GRIT 240	FOR DISC VERSION
	L08837065	BRUSH DISC 530MM 21 MAGNA GRIT 46	FOR DISC VERSION
	L08837066	BRUSH DISC 530MM 21 DYNA GRIT 80	FOR DISC VERSION
	L08837067	BRUSH DISC 530MM 21 AGLITE GRIT 500	FOR DISC VERSION
	L08837018	PAD HOLDER 530MM	FOR DISC VERSION
	9099671000	PAD HOLDER FLAT 20 508MM	FOR DISC VERSION
	10001955	PAD 20 508MM ECO BLACK 5PCS	FOR DISC VERSION
	10001956	PAD 20 508MM ECO BLUE 5PCS	FOR DISC VERSION
	10001957	PAD 20 508MM ECO BROWN 5PCS	FOR DISC VERSION
	10001958	PAD 20 508MM ECO GREEN 5PCS	FOR DISC VERSION
	10001959	PAD 20 508MM ECO RED 5PCS	FOR DISC VERSION
	10001960	PAD 20 508MM ECO WHITE 5PCS	FOR DISC VERSION
	10002348	PAD 20 508MM ECO BRILLIANCE RED 2PCS	FOR DISC VERSION
	10002349	PAD 20 508MM ECO BRILLIANCE BLUE 2PCS	FOR DISC VERSION
	10002350	PAD 20 508MM ECO BRILL. YELLOW 2PCS	FOR DISC VERSION
	10002351	PAD 20 508MM ECO BRILLIANCE GREEN 2PCS	FOR DISC VERSION
	56390008	BRUSH NYLON REV	FOR REV VERSION
	56390079	MICROFIBER PAD	FOR REV VERSION

9435 Winnetka Avenue North  
Brooklyn Park, MN 55445  
[www.advance-us.com](http://www.advance-us.com)  
Phone: 800-989-2235  
Fax: 800-989-6566  
©2017 Nilfisk, Inc.

