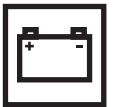


SC450



Instruction for Use - Original Instructions
Instrucciones de Uso
Instructions d'Utilisation
Instruções de Uso

Model: 9087331020 - 9087371020



English
Español
Français
Português

8/12 Revised 4/14 (2)
FORM NO. 9099602000

TABLE OF CONTENTS

INTRODUCTION	2
MANUAL PURPOSE AND CONTENTS	2
TARGET	2
HOW TO KEEP THIS MANUAL	2
IDENTIFICATION DATA	2
OTHER REFERENCE MANUALS	2
SPARE PARTS AND MAINTENANCE	2
CHANGES AND IMPROVEMENTS	2
OPERATION CAPABILITIES	3
CONVENTIONS	3
UNPACKING/DELIVERY	3
SAFETY	3
VISIBLE SYMBOLS ON THE MACHINE	3
SYMBOLS THAT APPEAR ON THIS MANUAL	4
GENERAL INSTRUCTIONS	4
MACHINE DESCRIPTION	6
MACHINE STRUCTURE	6
CONTROL PANEL	8
ACCESSORIES/OPTIONS	8
TECHNICAL DATA	9
WIRING DIAGRAM	10
USE	11
BATTERY CHECK/SETTING ON A NEW MACHINE	11
BATTERY INSTALLATION AND BATTERY TYPE SETTING (WET OR GEL/AGM)	12
BEFORE MACHINE START-UP	13
MACHINE START AND STOP	14
MACHINE OPERATION (SCRUBBING/DRYING)	15
MACHINE TRANSPORT/PARKING	16
TANK EMPTYING	16
AFTER USING THE MACHINE	16
RECOVERY TANK REMOVAL	17
MACHINE LONG INACTIVITY	17
MAINTENANCE	18
SCHEDULED MAINTENANCE TABLE	18
BATTERY CHARGING	19
SQUEEGEE CLEANING	20
SQUEEGEE BLADE CHECK AND REPLACEMENT	20
BRUSH CLEANING	21
TANK AND VACUUM GRID CLEANING	21
SOLUTION FILTER CLEANING	22
FUSE CHECK/REPLACEMENT	23
TROUBLESHOOTING	24
SCRAPPING	24

INTRODUCTION



NOTE

The numbers in brackets refer to the components shown in Machine Description chapter.

MANUAL PURPOSE AND CONTENTS

The purpose of this Manual is to provide the operator with all necessary information to use the machine properly, in a safe and autonomous way. It contains information about technical data, safety, operation, storage, maintenance, spare parts and disposal. Before performing any procedure on the machine, the operators and qualified technicians must read this Manual carefully. Contact Advance in case of doubts concerning the interpretation of the instructions and for any further information.

TARGET

This Manual is intended for operators and technicians qualified to perform the machine maintenance.

The operators must not perform procedures reserved for qualified technicians. Advance will not be answerable for damages coming from the non-observance of this prohibition.

HOW TO KEEP THIS MANUAL

The Instruction for use Manual must be kept near the machine, inside an adequate case, away from liquids and other substances that can cause damage to it.

IDENTIFICATION DATA

The machine model and serial number are marked on the plate (29).

Product code and year of production are marked on the same plate.

This information is useful when requiring machine spare parts. Use the following table to write down the machine identification data.

MACHINE model
PRODUCT code
MACHINE serial number

OTHER REFERENCE MANUALS

Electronic Battery Charger Manual, to be considered as integral part of this Manual

Moreover, the following Manuals are available:

- Service Manual (that can be consulted at Advance Service Centers)
- Spare Parts List (supplied with the machine)

SPARE PARTS AND MAINTENANCE

All necessary operating, maintenance and repair procedures must be performed by qualified personnel or by Advance Service Centers.

Only original spare parts and accessories must be used.

Contact Advance for service or to order spare parts and accessories, specifying the machine model, product code and serial number.

CHANGES AND IMPROVEMENTS

Advance constantly improves its products and reserves the right to make changes and improvements at its discretion without being obliged to apply such benefits to the machines that were previously sold.

Any change and/or addition of accessories must be approved and performed by Advance.

OPERATION CAPABILITIES

This scrubber-dryer is used to clean (scrubbing and drying) smooth and solid floors, in civil or industrial environment, under safe operation conditions by a qualified operator.

The scrubber-dryer cannot be used for fitted carpet and carpet cleaning.

CONVENTIONS

Forward, backward, front, rear, left or right are intended with reference to the operator's position, that is to say in driving position with the hands on the handlebar (2).

UNPACKING/DELIVERY

To unpack the machine, carefully follow the instructions on the packing.

When the machine is delivered, check that the packing and the machine were not damaged during transportation.

In case of visible damages, keep the packing and have it checked by the carrier that delivered it. Call the carrier immediately to fill in a damage claim.

Please check that the following items have been supplied with the machine:

- Technical documents:
 - Scrubber-dryer Instruction for use Manual
 - Battery Charger Manual
 - Scrubber-dryer Spare Parts List
- No. 2 lamellar fuses



WARNING!

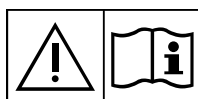
The Products sold with this Manual contain or may contain chemicals that are known to certain governments (such as the State of California, as identified in its Proposition 65 Regulatory Warning Law) to cause cancer, birth defects or other reproductive harm. In certain locations (including the State of California) purchasers of these Products that place them in service at an employment job site or a publicly accessible space are required by regulation to make certain notices, warnings or disclosures regarding the chemicals that are or may be contained in the Products at or about such work sites. It is the purchaser's responsibility to know the content of, and to comply with, any laws and regulations relating to the use of these Products in such environments. The Manufacturer disclaims any responsibility to advise purchasers of any specific requirements that may be applicable to the use of the Products in such environments.

SAFETY

The following symbols indicate potentially dangerous situations. Always read this information carefully and take all necessary precautions to safeguard people and property.

The operator's cooperation is essential in order to prevent injury. No accident prevention program is effective without the total cooperation of the person responsible for the machine operation. Most of the accidents that may occur in a factory, while working or moving around, are caused by failure to comply with the simplest rules for exercising prudence. A careful and prudent operator is the best guarantee against accidents and is essential for successful completion of any prevention program.

VISIBLE SYMBOLS ON THE MACHINE



WARNING!

Carefully read all the instructions before performing any operation on the machine.



WARNING!

Do not wash the machine with direct or pressurized water jets.



WARNING!

Do not use the machine on slopes with a gradient exceeding the specifications.

SYMBOLS THAT APPEAR ON THIS MANUAL



DANGER!

It indicates a dangerous situation with risk of death for the operator.



WARNING!

It indicates a potential risk of injury for people.



CAUTION!

It indicates a caution or a remark related to important or useful functions. Pay careful attention to the paragraphs marked by this symbol.



NOTE

It indicates a remark related to important or useful functions.



CONSULTATION

It indicates the necessity to refer to the Instruction for use Manual before performing any procedure.

GENERAL INSTRUCTIONS

Specific warnings and cautions to inform about potential damages to people and machine are shown below.



DANGER!

- *Before performing any cleaning, maintenance, repair or replacement procedure, turn the machine main switches to “0” and disconnect the battery connector.*
- *This machine must be used by properly trained operators only.*
- *Do not wear jewels when working near electrical components.*
- *Do not work under the lifted machine without supporting it with safety stands.*
- *Do not operate the machine near toxic, dangerous, flammable and/or explosive powders, liquids or vapors: This machine is not suitable for collecting dangerous powders.*
- *When using lead (WET) batteries, keep sparks, flames and smoking materials away from the batteries. During the normal operation explosive gases are released.*
- *When using lead (WET) batteries, battery charging produces highly explosive hydrogen gas. During battery charging, remove the recovery tank and perform this procedure in well-ventilated areas and away from naked flames.*



WARNING!

- *Carefully read all the instructions before performing any maintenance/repair procedure.*
- *Before using the battery charger, ensure that frequency and voltage values, indicated on the machine serial number plate, match the electrical mains voltage.*
- *Do not pull or carry the machine by the battery charger cable and never use the battery charger cable as a handle. Do not close a door on the battery charger cable, or pull the battery charger cable around sharp edges or corners. Do not run the machine on the battery charger cable.*
- *Keep the battery charger cable away from heated surfaces.*
- *Do not charge the batteries if the battery charger cable or the plug are damaged. If the machine is not working as it should, has been damaged, left outdoors or dropped into water, return it to the Service Center.*
- *To reduce the risk of fire, electric shock, or injury, do not leave the machine unattended when it is plugged in. Before performing any maintenance procedure, disconnect the battery charger cable from the electrical mains.*
- *Do not smoke while charging the batteries.*

**WARNING!**

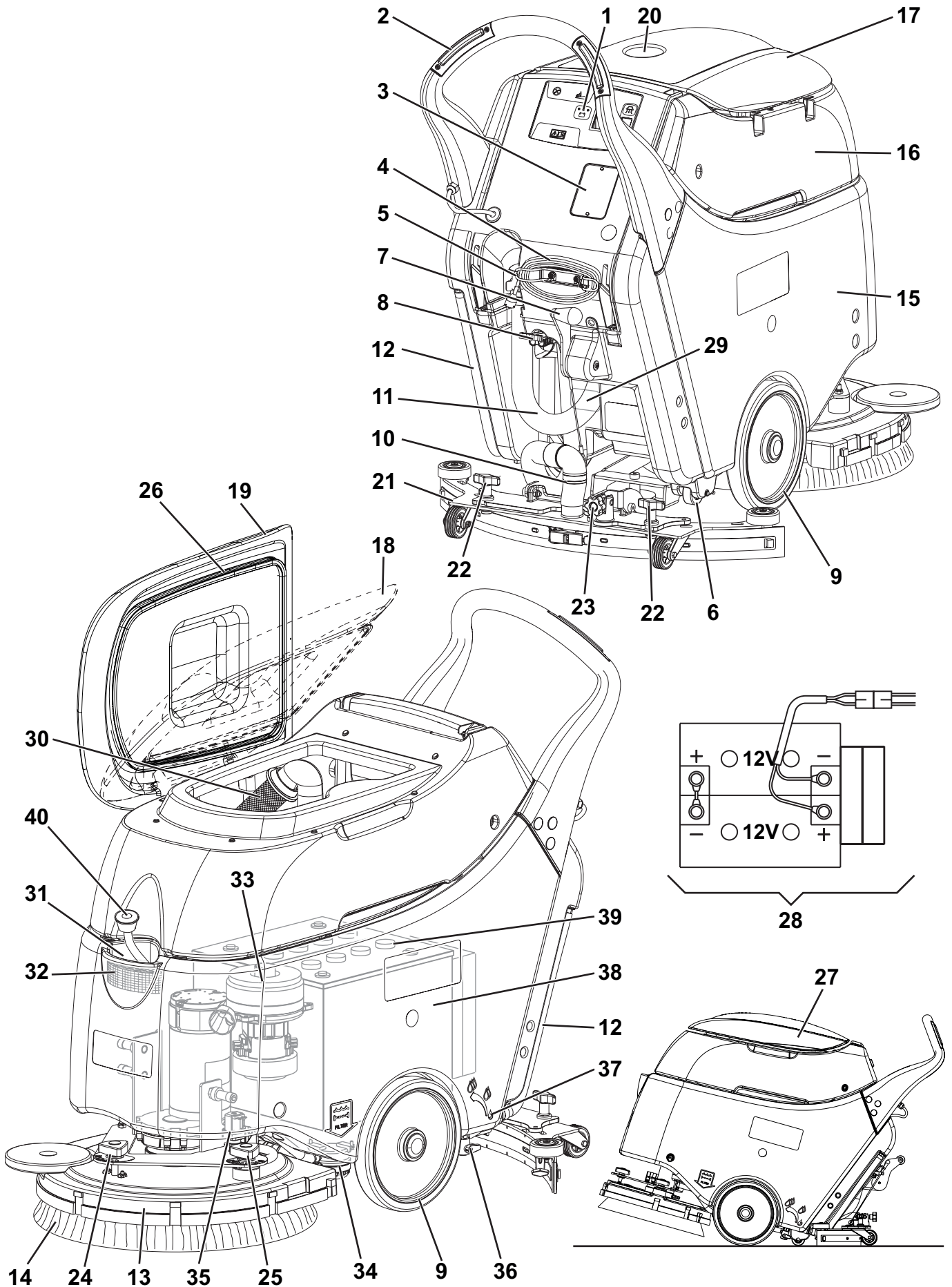
- Always protect the machine against the sun, rain and bad weather, both under operation and inactivity condition. Store the machine indoors, in a dry place: This machine must be used in dry conditions, it must not be used or kept outdoors in wet conditions.
- Before using the machine, close all doors and/or covers as shown in the Instruction for use Manual.
- This machine is not intended for use by persons (including children) with reduced physical, sensory or mental capabilities, or lack of experience and knowledge, unless they have been given supervision or instruction concerning use of the machine by a person responsible for their safety. Children should be supervised to ensure that they do not play with the machine.
- Close attention is necessary when used near children.
- Use only as shown in this Manual. Use only Advance's recommended accessories.
- Check the machine carefully before each use, always check that all the components have been assembled before use. If the machine is not perfectly assembled it can cause damages to people and properties.
- Take all necessary precautions to prevent hair, jewels and loose clothes from being caught by the machine moving parts.
- Do not use the machine on slopes with a gradient exceeding the specifications.
- Do not use the machine on incline.
- Do not use the machine on slopes with a gradient exceeding the specifications.
- Do not use the machine in particularly dusty areas.
- Use the machine only where a proper lighting is provided.
- While using this machine, take care not to cause damage to people or objects.
- Do not bump into shelves or scaffoldings, especially where there is a risk of falling objects.
- Do not lean liquid containers on the machine, use the relevant can holder.
- The machine working temperature must be between 32 °F and 104 °F (0 °C and +40 °C).
- The machine storage temperature must be between 32 °F and 104 °F (0 °C and +40 °C).
- The humidity must be between 30% and 95%.
- When using floor cleaning detergents, follow the instructions on the labels of the detergent bottles.
- To handle floor cleaning detergents, wear suitable gloves and protections.
- Do not use the machine as a means of transport.
- Do not allow the brush to operate while the machine is stationary to avoid damaging the floor.
- In case of fire, use a powder fire extinguisher, not a water one.
- Do not tamper with the machine safety guards and follow the ordinary maintenance instructions scrupulously.
- Do not allow any object to enter into the openings. Do not use the machine if the openings are clogged. Always keep the openings free from dust, hairs and any other foreign material which could reduce the air flow.
- Do not remove or modify the plates affixed to the machine.
- This machine cannot be used on roads or public streets.
- Pay attention during machine transportation when temperature is below freezing point. The water in the recovery tank or in the hoses could freeze and seriously damage the machine.
- Use brushes and pads supplied with the machine or those specified in the Instruction for use Manual. Using other brushes or pads could reduce safety.
- In case of machine malfunctions, ensure that these are not due to lack of maintenance. If necessary, request assistance from the authorised personnel or from an authorised Service Center.
- If parts must be replaced, require ORIGINAL spare parts from an Authorised Dealer or Retailer.
- To ensure machine proper and safe operation, the scheduled maintenance shown in the relevant chapter of this Manual, must be performed by the authorised personnel or by an authorised Service Center.
- Do not wash the machine with direct or pressurised water jets, or with corrosive substances.
- The machine must be disposed of properly, because of the presence of toxic-harmful materials (batteries, etc.), which are subject to standards that require disposal in special centres (see Scrapping chapter).

MACHINE DESCRIPTION

MACHINE STRUCTURE

1. Control panel
2. Handlebar
3. Battery charger data inspection window
4. Battery charger cable
5. Battery charger cable holder
6. Rear parking wheel
7. Squeegee lifting/lowering lever
8. Battery connector (red).
This connector also works as EMERGENCY push-button, to stop immediately all functions.
9. Front wheels on fixed axle
10. Squeegee vacuum hose
11. Recovery water drain hose
12. Solution drain and level check hose
13. Brush deck
14. Brush/pad-holder
15. Solution tank
16. Recovery tank
17. Recovery tank cover
18. Recovery tank cover (half-open)
19. Recovery tank cover (completely opened)
20. Can holder
21. Squeegee
22. Squeegee mounting handwheels
23. Squeegee balance adjusting handwheel
24. Machine straight forward movement adjusting handwheel
25. Machine forward speed adjusting handwheel
26. Tank cover gasket
27. Machine in parking position
28. Battery connection diagram
29. Serial number plate/technical data/conformity certification
30. Vacuum grid with automatic shut-off float
31. Solution filler neck
32. Foam filter
33. Vacuum system motor
34. Solution filter
35. Solenoid valve
36. Solution flow control lever
37. Solution flow control lever ECO position (water "economy" usage, for a washing autonomy set for ~ 90 minutes)
38. Batteries
39. Battery caps
40. Water removable filler hose (optional)

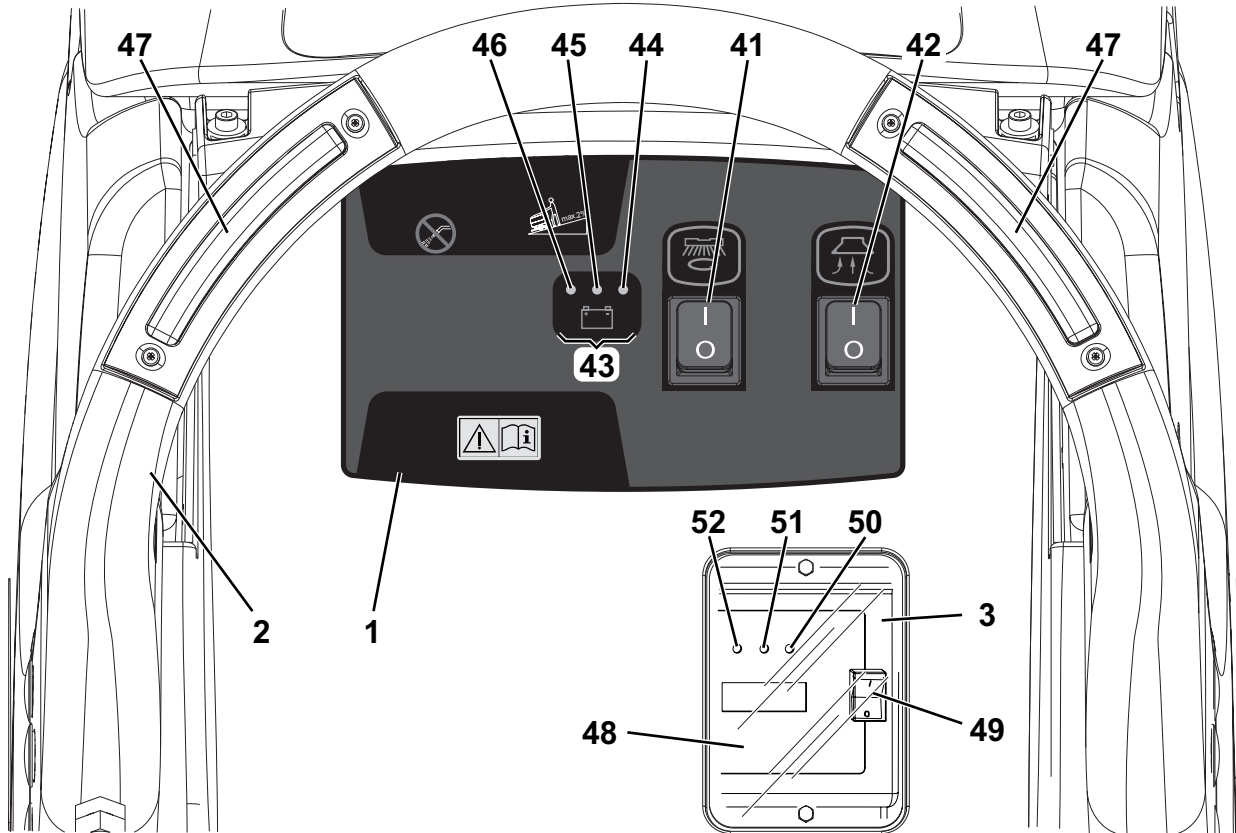
MACHINE STRUCTURE (Continues)



P100658

CONTROL PANEL

- | | |
|--|---|
| <ul style="list-style-type: none"> 41. Brush/pad-holder switch 42. Vacuum system switch 43. Battery charge indicator 44. Green LED - charged battery 45. Yellow LED - semi-discharged batteries 46. Red LED - discharged batteries 47. Brush enabling push-button 48. Electronic battery charger | <ul style="list-style-type: none"> 49. Lead (WET) or gel (GEL) battery selector 50. Green warning light (the battery charger is on and batteries are charged) 51. Yellow warning light (the battery charger is on and batteries are semi-discharged) 52. Red warning light (the battery charger is on and it is charging the batteries) |
|--|---|



P100659

ACCESSORIES/OPTIONS

In addition to the standard components, the machine can be equipped with the following accessories/options, according to the machine specific use:

- GEL batteries
- Brushes of different materials
- Pads of different materials
- Polyurethane squeegee blades
- Removable solution feed hose

For further information concerning the optional accessories, contact an authorised Retailer.

TECHNICAL DATA

Model	SC450
Solution tank capacity	10.5 US gal (40 liters)
Recovery tank capacity	11.9 US gal (45 liters)
Machine length	46.4 in (1,180 mm)
Machine width without squeegee	22 in (559 mm)
Machine height	41.7 in (1,060 mm)
Brush diameter	20 in (530 mm)
Squeegee width	30 in (760 mm)
Cleaning width	20 in (530 mm)
Front wheel diameter	10 in (254 mm)
Wheel specific pressure on the floor	710 psi (4.9 N/mm ²)
Brush/pad pressure on the floor with full tank and lowered squeegee	66 lb (30 kg)
Min/max solution flow	0.10 ÷ 0.42 gpm (0.4 ÷ 1.6 liters/min)
ECO solution flow	0.10 gpm (0.4 liters/min)
Sound pressure level at workstation (ISO 11201, ISO 4871, EN 60335-2-72) (LpA)	68 dB(A) ± 3 dB(A)
Machine sound pressure level (ISO 3744, ISO 4871, EN 60335-2-72) (LwA)	85 dB(A)
Vibration level at the operator's arms (ISO 5349-1, EN 60335-2-72)	< 98.4 in/s ² (< 2.5 m/s ²)
Maximum gradient when working	2 %
IP protection class	X4
Protection class (electric)	III
Vacuum system motor power	0.44 hp (330 W)
Vacuum system circuit capacity	0.0107 MPa (1,100 mmH ₂ O)
Brush motor power	0.64 hp (480 W)
Brush speed	154 rpm
Total absorbed power	34 A (0.8 kW)
Battery compartment size (width x length x height)	13.7 x 13.7 x 11.8 in (350 x 350 x 300 mm)
Battery voltage	24 V
Standard battery (2)	Dry: 12 V 70 Ah C5
Battery charger	100-240 VAC
Standard battery autonomy	2 hours
Weight without batteries and with empty tanks	167 lb (76 kg)
Gross vehicle weight (GVW)	419 lb (190 kg)
Shipping weight	227 lb (103 kg)

Machine material composition and recyclability

Type	Recyclable percentage	SC450
Aluminium	100 %	8 %
Electric motors - various	29 %	18 %
Ferrous materials	100 %	19 %
Wiring harnesses	80 %	1 %
Liquids	100 %	0 %
Plastic - non-recyclable material	0 %	1 %
Plastic - recyclable material	100 %	9 %
Polyethylene	92 %	42 %
Rubber	20 %	2 %

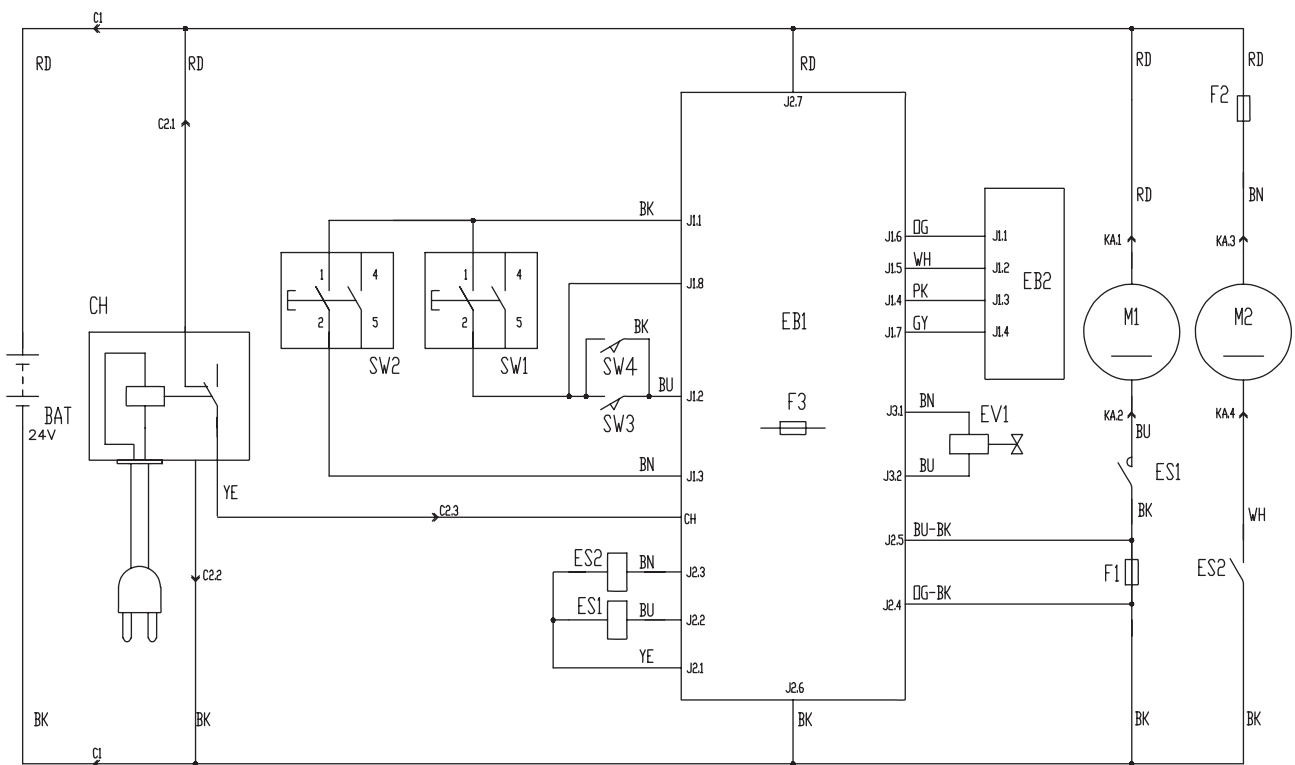
WIRING DIAGRAM

Key

BAT	24 V batteries
C1	Battery connector
C2	Battery charger connector
CH	Battery charger
EB1	Function electronic board
EB2	Electronic board LEDs
ES1	Brush/pad motor electromagnetic switch
ES2	Vacuum system motor relay
EV1	Solution solenoid valve
F1	Brush motor fuse (40 A)
F2	Vacuum system motor fuse (30 A)
F3	Solenoid valve and electronic board fuse (5 A)
M1	Brush/pad-holder motor
M2	Vacuum system motor
SW1	Brush/pad-holder switch
SW2	Vacuum system switch
SW3	Brush enabling push-button
SW4	Brush enabling push-button

Color codes

BK	Black
BU	Blue
BN	Brown
GN	Green
GY	Grey
OG	Orange
PK	Pink
RD	Red
VT	Violet
WH	White
YE	Yellow



P100660

USE

**WARNING!**

On some points of the machine there are some adhesive plates indicating:

- **DANGER**
- **WARNING**
- **CAUTION**
- **CONSULTATION**

While reading this Manual, the operator must pay particular attention to the symbols shown on the plates (see Visible Symbols On The Machine paragraph).

Do not cover these plates for any reason and immediately replace them if damaged.

BATTERY CHECK/SETTING ON A NEW MACHINE

**WARNING!**

The electric components of the machine can be seriously damaged if the batteries are either improperly installed or connected.

The batteries must be installed by qualified personnel only. Set the battery charger according to the battery type (WET or GEL/AGM).

Check the batteries for damage before installation.

Disconnect the battery connector and the battery charger plug.

Handle the batteries with great care.

Install the battery terminal protection caps supplied with the machine.

The machine requires two 12 V batteries, connected according to the diagram (28).

The machine can be supplied in one of the following modes:

WET or GEL/AGM batteries already installed and ready to be used

1. Turn on the machine by pressing the brush/pad-holder and vacuum system switches (41 and 42). If the green LED (44) turns on, the batteries are ready to be used.
2. If the yellow or red LED (45 or 46) turns on, the batteries must be charged (see the procedure in Maintenance chapter).

Without batteries

1. Buy appropriate batteries [See the Technical Data paragraph and the diagram (28)]. For battery choice and installation, apply to qualified battery Retailers.
2. Set the machine and the battery charger (if equipped) according to the type of batteries installed, according to the procedure shown in the following paragraph.

BATTERY INSTALLATION AND BATTERY TYPE SETTING (WET OR GEL/AGM)

Set the electronic board of the machine and of the battery charger (if equipped) according to the type of batteries installed (WET or GEL/AGM) as shown below:

Machine setting

1. Check that the battery connector (8) is disconnected.
The machine factory setting is for GEL batteries. If this setting corresponds to the type of batteries installed, go to step 7. Otherwise, perform steps 2, 3 and 4 too.
2. Move aside the recovery water drain hose (11).
3. Remove the battery charger cable, if equipped, from the cable holder (5).
4. Remove the screws (A, Fig. 1) and carefully move aside the panel (B) by disengaging the grommet (C) from its housing on the panel (B).
5. Turn the microswitch (D) to WET position.



WARNING!
Do not move/set the adjacent switch (E).

6. Perform steps 3, 4 and 5 in the reverse order.

Battery charger setting (for machines with on-board battery charger)

7. Remove the battery charger data inspection window screws (A, Fig. 2).
8. Remove the window (B).
9. Turn the battery charger selector (C) to WET for lead batteries, or to GEL for gel/agm batteries.
10. Install the window (B) and tighten the screws (A).

Battery installation

11. Remove the recovery tank (16) as shown in the relevant paragraph.
12. Install the batteries on the machine according to the diagram (28).



CAUTION!
For a proper machine balance, install the batteries in the compartment, with the shims placed on the rear wall.

13. Install the recovery tank (16).

Battery charging

14. Charge the batteries (see the procedure in Maintenance chapter).

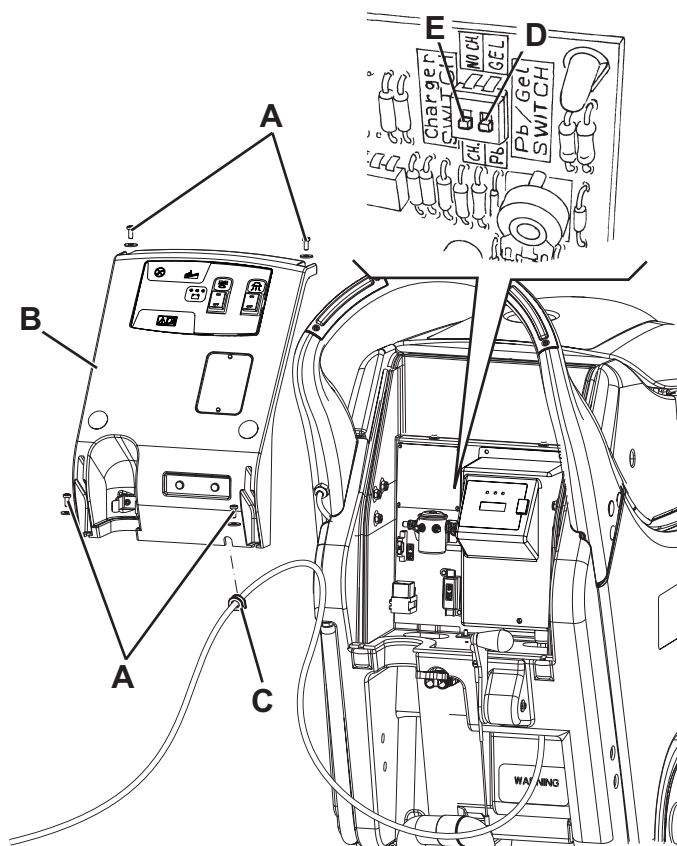


Figure 1

P100661

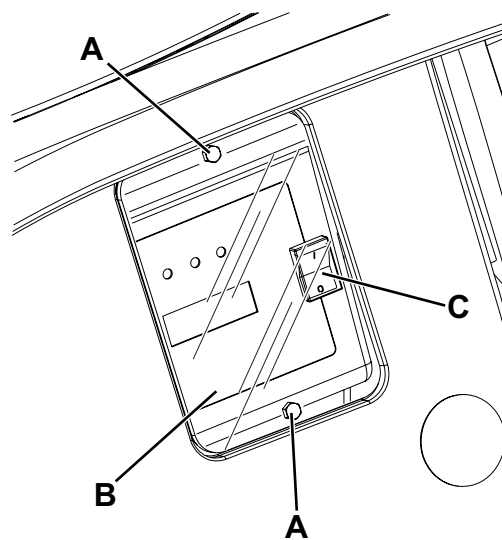


Figure 2

P100662

BEFORE MACHINE START-UP

Brush or pad-holder installation



NOTE

Install either the brush (A, Fig. 3) or the pad-holder (B and C) according to the type of floor to be cleaned.

1. Make sure that the switches (41 and 42) are turned to "0".
2. Lift the brush/pad-holder deck (13) by prying the handlebar (2).
3. Place the brush (A, Fig. 3) or the pad-holder (B - C) under the deck.
4. Lower the deck (13) by using the handlebar (2).
5. Turn on the machine by pressing the switch (41).
6. Press the push-button (47) for a few seconds, to engage the brush/pad-holder to the deck hub (13). If necessary, repeat the procedure until the brush/pad-holder is engaged.

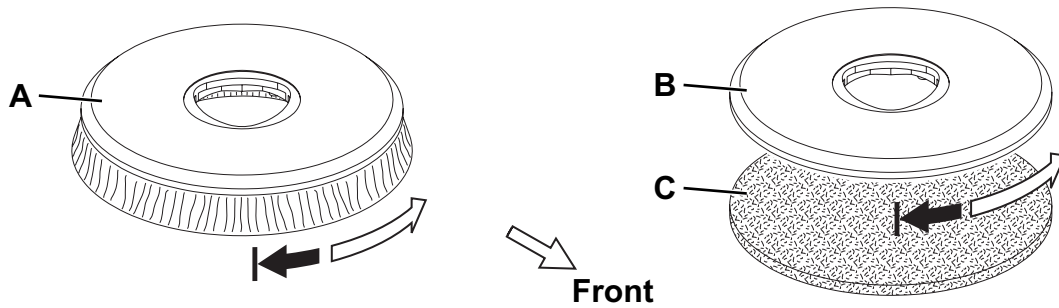


Figure 3

P100663

Available brushes and their relevant application guides (suggestions only)

Models	MIDLITE GRIT 180	MIDGRIT 240	PROLENE	PROLITE	UNION MIX
General cleaning:					
Concrete					
Terrazzo floor					
Ceramic tiles/quarrrystones					
Marble					
Vinyl tiles					
Rubber tiles					
Polishing:					
Rubber tiles					
Marble					
Vinyl tiles					

Squeegee installation

7. Install the squeegee (21) and fasten it with the handwheels (22), then connect the vacuum hose (10) to the squeegee.
8. With the handwheel (23), adjust the squeegee so that the rear blade - in all its length - touches the floor and the front blade is slightly detached from the floor.

Solution tank filling**CAUTION!**

Use only low-foam and non-flammable detergents, intended for automatic scrubber applications.

**WARNING!**

When using floor cleaning detergents, follow the instructions on the labels of the detergent bottles. To handle floor cleaning detergents, wear suitable gloves and protections.

9. Use the filler neck (31) or the removable filler hose (40, optional) to fill the tank (15) with a solution suitable for the work to be performed. Do not fill the solution tank completely, leave few inches from the edge. Always follow the dilution instructions on the label of the chemical product used to prepare the solution. The solution temperature must not exceed 104 °F (40 °C).

MACHINE START AND STOP**Starting the machine**

1. Prepare the machine as shown in the previous paragraph.
2. Drive the machine to the working place by pushing it with the hands on the handlebar (2).
3. Lower the squeegee (21) with the lever (7).
4. Turn the solution flow control lever (36) to one of the following positions, according to the type of cleaning to be performed:
 - ECO system: when the lever (36) is turned to ECO position (37), the machine works in a special condition of programmed water "economy" usage; as the water flow is set and constant, the machine can work with a washing autonomy of ~ 90 minutes [0.10 gpm (0.4 liters/min) average].
 - Variable system: when the lever is turned to the left (variable flow) the flow rate can increase up to 0.42 gpm (1.6 liters/min) (when the tank is full), with an autonomy of ~ 40 minutes.
5. Press the brush/pad-holder switch (41) and the vacuum system switch (42).
6. Press the push-button (47) to enable the brush/pad-holder.
7. Start cleaning, by moving the machines with the handlebar (2).

**NOTE**

If the green LED (44) turns on, the machine is ready to be used. If the yellow or red LED (45 or 46) turns on, the batteries must be charged (see the procedure in Maintenance chapter).

Stopping the machine

8. Stop the machine and the brush/pad-holder by releasing the push-button (47).
9. Turn off the brush/pad-holder and the vacuum system by pressing the switches (41) and (42).
10. Lift the squeegee (21) with the lever (7).
11. With the handlebar (2) slightly lower the machine until the rear wheel (6) comes into contact with the floor (parking position (27)).

MACHINE OPERATION (SCRUBBING/DRYING)

1. Start the machine as shown in the previous paragraph.
2. While keeping both hands on the handlebar (2), press the push-button (47), then manoeuvre the machine and start scrubbing/drying the floor.
3. If necessary, stop the machine and adjust the squeegee balancing handwheel (23).
4. If necessary, adjust the solution quantity by using the valve (36).



CAUTION!

To avoid any damage to the floor surface, turn off the brush/pad-holder when the machine stops in one place.



CAUTION!

Before lifting the brush/pad, turn it off by releasing the push-button (47).



NOTE

For correct scrubbing/drying of floors at the sides of the walls, Advance suggests to go near the walls with the right side of the machine as shown in figure 4.

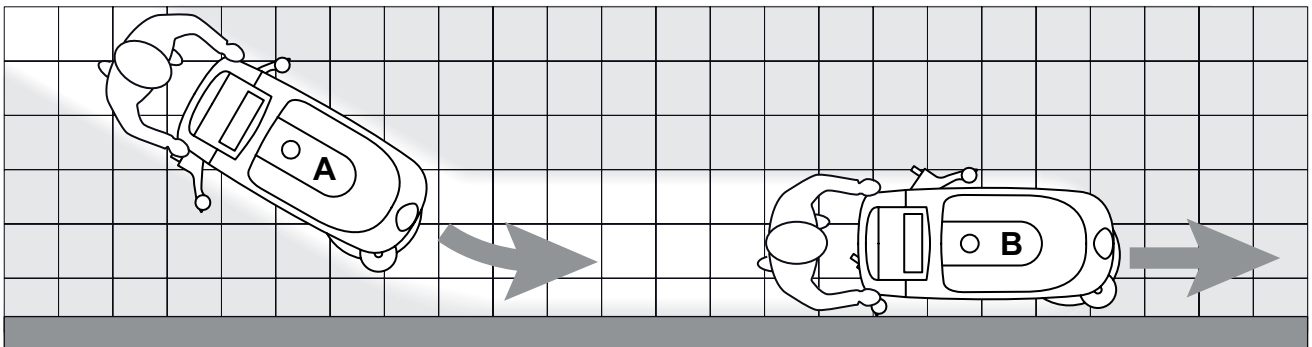


Figure 4

P100664



CAUTION!

In case of brush/pad-holder motor overload, due to foreign bodies which prevent them from turning, or to excessively aggressive floors/brushes, the safety system stops the brush/pad-holder after about one minute of continuous overload.

The overload is shown by the three LEDs (44, 45, 46) flashing simultaneously.

To start scrubbing again after a brush/pad-holder stop due to overload, stop the machine by turning the brush/pad-holder switch and the vacuum system switch (41 and 42) to "0". Turn on the machine by turning the brush/pad-holder switch and the vacuum system switch (41 and 42) to "I".

Battery discharge during operation

5. Until the green LED (44) stays on, the batteries allow the machine to work normally. When the green LED (44) turns off and the yellow and red LED (45) and (46) turn on in sequence, it is necessary to charge the battery as the machine residual autonomy is at the minimum level.



CAUTION!

Do not use the machine with discharged batteries, to avoid damaging the batteries and reducing the battery life.

Machine speed adjustment

6. The machine speed varies according to the type of floor to be cleaned and the choice of using the brush or the pad. If necessary, stop the machine and turn the forward speed adjusting handwheel (25) as shown below:
 - Turn it counter-clockwise to increase the forward speed;
 - Turn it clockwise to decrease the forward speed.

Machine straight-forward drive

7. If it is difficult to keep the machine moving straight-forwardly because it deviates to the left or to the right, adjust the handwheel (24) by turning it clockwise or counter-clockwise.

MACHINE TRANSPORT/PARKING

To transport/park the machine, proceed as follows.

1. Turn the brush/pad-holder switch and the vacuum system switch (41 and 42) to "0".
2. Lift the squeegee with the lever (7).
3. Grab the handlebar (2) and slightly lower it until the brush lifts from the floor. While holding the machine in this position, drive it to the appointed parking area. Then lower the machine until the rear wheel (6) comes into contact with the floor (parking position (27)).
4. When finishing working, remove the brush/pad-holder (see the procedure in Maintenance chapter).

TANK EMPTYING

An automatic float shut-off system (30) turns off the vacuum system when the recovery tank (16) is full.

The vacuum system deactivation is signalled by a sudden increase in the vacuum system motor noise frequency, and the floor is not dried.



CAUTION!

If the vacuum system turns off accidentally (for example, when the float is activated because of a sudden machine movement), to resume the operation: turn off the vacuum system by pressing the switch (42), then open the cover (17) and check that the float inside the grid (30) has gone down to the water level. Then close the cover (17) and turn on the vacuum system by pressing the switch (42).

When the recovery tank (16) is full, empty it according to the following procedure.

Recovery tank emptying

1. Turn the brush/pad-holder switch and the vacuum system switch (41 and 42) to "0".
2. Lift the squeegee with the lever (7).
3. Drive the machine to the appointed disposal area.
4. Grasp the handlebar (2) and slightly lower it until the rear wheel (6) comes into contact with the floor.
5. Empty the recovery tank with the drain hose (11). Then, rinse the tank with clean water.

Solution tank emptying

6. Perform steps 1 to 4.
7. Empty the solution tank with the hose (12). Then, rinse the tank with clean water.

AFTER USING THE MACHINE

After working, before leaving the machine:

1. Turn the brush/pad-holder switch and the vacuum system switch (41 and 42) to "0".
2. Remove the brush/pad-holder as shown in Maintenance chapter.
3. Empty the tanks (15 and 16) as shown in the previous paragraph.
4. Perform the daily maintenance procedures (see the Maintenance chapter).
5. Store the machine in a clean and dry place, with the brush/pad-holder and the squeegee lifted or removed.

RECOVERY TANK REMOVAL

To check or charge the lead (WET) batteries, or to perform other procedures, it may be necessary to remove the recovery tank (16) as shown below.

1. Empty the recovery tank (16) as shown in the relevant paragraph.
2. Drive the machine on a level floor.
3. Make sure that the switches (41 and 42) are turned to "0".
4. Remove the recovery water drain hose (11) from its holder.
5. Grasp the recovery tank (A, Fig. 5) in the area (B) and slightly raise it.
6. Disconnect the vacuum hose (C) from the tank.
7. Disconnect the hose (D) from the tank vacuum grid.
8. Remove the drain hose(E) through the slit, then remove the tank (A).

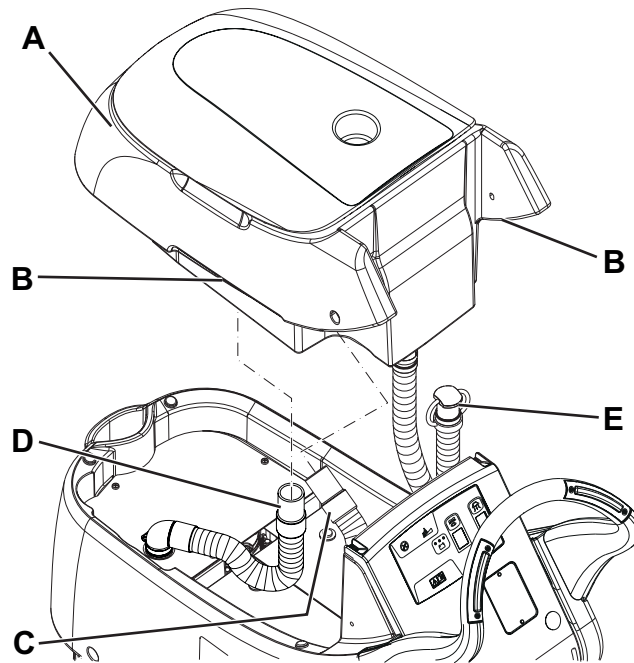


Figure 5

9. Install the tank by performing steps 4 to 8 in the reverse order of removal.

P100665

MACHINE LONG INACTIVITY

If the machine is not going to be used for more than 30 days, proceed as follows:

1. Perform the procedures shown in After Using the Machine paragraph.
2. Disconnect the battery connector (8).

MAINTENANCE

The lifespan of the machine and its maximum operating safety are ensured by correct and regular maintenance. The following chart provides the scheduled maintenance. The intervals shown may vary according to particular working conditions, which are to be defined by the person in charge of the maintenance.



WARNING!

Maintenance procedures must be performed with the machine switched off and the batteries/battery charger cable disconnected.

Moreover, carefully read the instructions in the Safety chapter.

All scheduled or extraordinary maintenance procedures must be performed by qualified personnel, or by an authorised Service Center.

This Manual describes only the easier and most common maintenance procedures.

For other maintenance procedures shown in the Scheduled Maintenance Table, refer to the Service Manual that can be consulted at any Service Center.

SCHEDULED MAINTENANCE TABLE

Procedure	Daily, after using the machine	Weekly	Every six months	Yearly
Battery charging				
Squeegee cleaning				
Brush/pad cleaning				
Tank and vacuum grid with float cleaning, and cover gasket check				
Squeegee blade check and replacement				
Solution filter cleaning				
WET battery fluid level check				
Brush/pad-holder motor carbon brush check or replacement				(1)
Vacuum system motor carbon brush check or replacement				(1)

(1) This maintenance procedure must be performed by an authorised Advance Service Center.

BATTERY CHARGING**NOTE**

Charge the batteries when the yellow or red LED (45 or 46) turns on, or at the end of each working cycle.

**CAUTION!**

Keeping the batteries charged make their life last longer.

**CAUTION!**

When the batteries are discharged, charge them as soon as possible, as that condition makes their life shorter. Check for battery charge at least once a week.

**CAUTION!**

If the machine is not equipped with on-board battery charger, choose an external battery charger suitable for the type of batteries installed.

**WARNING!**

WET battery charging produces highly explosive hydrogen gas. Charge the batteries in well-ventilated areas and away from naked flames. Do not smoke while charging the batteries. Do not reinstall the recovery tank until the battery charging cycle is over.

**WARNING!**

Pay careful attention when charging WET batteries as there may be battery fluid leakages. The battery fluid is corrosive. If it comes in contact with skin or eyes, rinse thoroughly with water and consult a physician.

1. Drive the machine to the appointed recharging area.
2. Turn off the machine by pressing the switches (41 and 42).
3. For WET batteries only:
 - Remove the recovery water tank as shown in Use chapter. Check the level of electrolyte inside the batteries; if necessary, top up through the caps.
 - Leave all the battery caps open for next charging.
 - If necessary, clean the upper surface of the batteries.
4. Connect the battery charger cable (4) to the electrical mains (the electrical mains voltage and frequency must be compatible with the battery charger values shown on the machine serial number plate (29)).
When the battery charger is connected to the electrical mains, all machine functions are automatically cut off.
If the red warning light (52) on the battery charger control panel stays on, the battery charger is charging the batteries.
5. When the green warning light (50) turns on, the battery charging is completed.
6. When the battery charging is completed, disconnect the battery charger cable (4) from the electrical mains and wind it round its housing (5).
7. (For WET batteries only): Reinstall the recovery tank.

**NOTE**

For further information about the battery charger (48) operation, see the relevant Manual.

SQUEEGEE CLEANING**NOTE**

The squeegee must be clean and its blades must be in good conditions in order to get a good drying.

**CAUTION!**

It is advisable to wear protective gloves when cleaning the squeegee because there may be sharp debris.

1. Drive the machine on a level floor.
2. Make sure that the switches (41 and 42) are turned to "0".
3. Lower the squeegee (21) with the lever (7).
4. Loosen the handwheels (22) and remove the squeegee (21).
5. Disconnect the vacuum hose (10) from the squeegee.
6. Wash and clean the squeegee (Fig. 6). In particular, clean the compartments (A) and the vacuum hole (B) from dirt and debris. Check the front blade (C) and the rear blade (D) for integrity, cuts and tears; if necessary replace them (see the procedure in the following paragraph).
7. Install the squeegee in the reverse order of removal.

SQUEEGEE BLADE CHECK AND REPLACEMENT

1. Clean the squeegee (Fig. 6) as shown in the previous paragraph.
 2. Check that the edge (E) of the front blade (C) and the edge (F) of the rear blade (D) lay down on the same level, along their length; otherwise adjust their height according to the following procedure:
 - Remove the tie rod (G), disengage the retainers (M) and adjust the rear blade (D); then engage the retainers and install the tie rod.
 - Loosen the handwheels (I) and adjust the front blade (C); then tighten the handwheels.
 3. Check the front blade (C) and rear blade (D) for integrity, cuts and tears; if necessary replace them as shown below. Check that the front corner (J) of the rear blade is not worn; otherwise, overturn the blade to replace the worn corner with an integral one. If the other corners are worn too, replace the blade according to the following procedure:
 - Remove the tie rod (G), disengage the fasteners (M) and remove the retaining strip (K), then replace/overturn the rear blade (D).
 - Install the blade in the reverse order of removal.
 - Unscrew the handwheels (I) and remove the retaining strip (L), then replace the front blade (C).
 - Install the blade in the reverse order of removal.
- After the blade replacement (or overturning), adjust the height as shown in the previous step.
4. Connect the vacuum hose (10) to the squeegee.
 5. Install the squeegee (21) and screw down the handwheels (22).
 6. If necessary, adjust the squeegee balance adjusting handwheel (23).

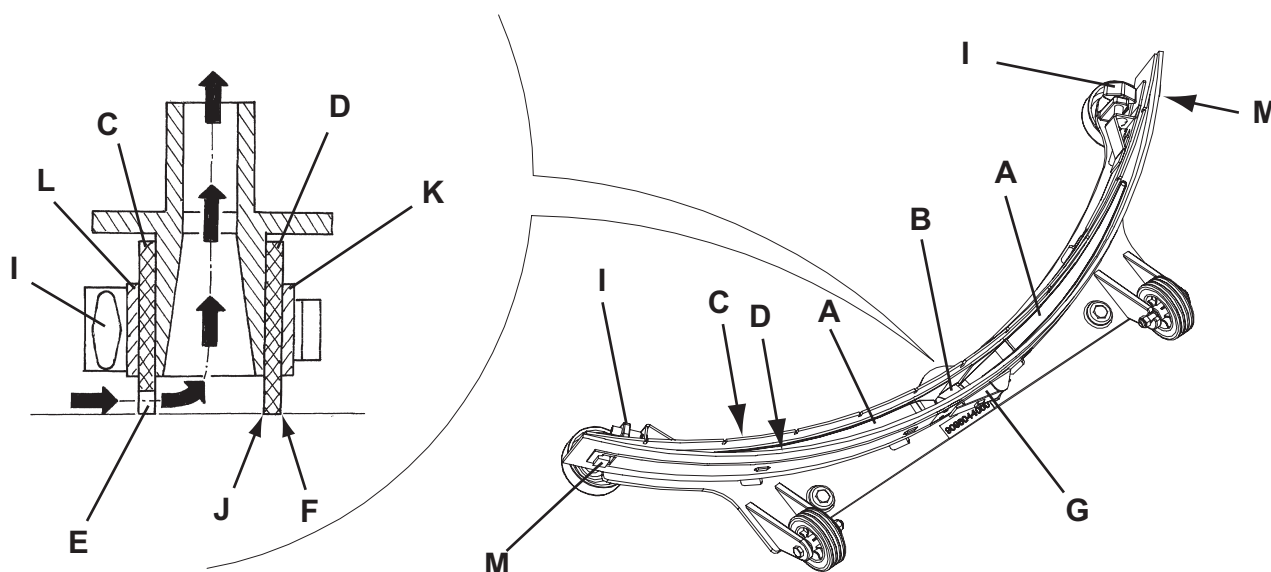


Figure 6

P100666

BRUSH CLEANING



CAUTION!

It is advisable to wear protective gloves when cleaning the brush/pad because there may be sharp debris.

1. Drive the machine on a level floor.
2. Make sure that the switches (41 and 42) are turned to "0".
3. Remove the brush/pad-holder as follows:
 - When the deck (13) is lifted, grab the brush/pad-holder (A, Fig. 7) with the hands and turn it first in one direction (B) and then in the other direction (C) to release it.
4. Clean and wash the brush/pad with water and detergent.
5. Check the brush bristles for integrity and wear; if necessary, replace the brush.
6. Check the pad for wear; if necessary, replace the pad.

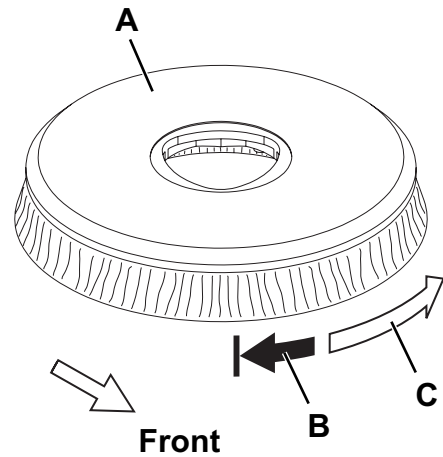


Figure 7

P100667

TANK AND VACUUM GRID CLEANING

1. Drive the machine to the appointed disposal area.
2. Check that the switches (41 and 42) are turned to "0" and disconnect the battery connector (8).
3. Drain the water from the tanks (15 and 16) through the drain hose (11) and hose (12).
4. Open the cover (17), then clean and wash the cover, the tanks and the vacuum grid (30) with clean water.
5. If necessary, remove the grid (A, Fig. 8) clean it carefully and reinstall it.
6. Check the recovery tank cover gasket (B) for integrity.



NOTE

The gasket (B) creates vacuum in the tank that is necessary for vacuuming the recovery water.

If necessary replace the gasket (B) by removing it from its housing. When assembling the new gasket, install the joint (C) in the side area, as shown in the figure.

7. Check that the seating surface (D) of the gasket (B) is integral and adequate for the gasket itself.
8. Close the recovery tank cover (17).

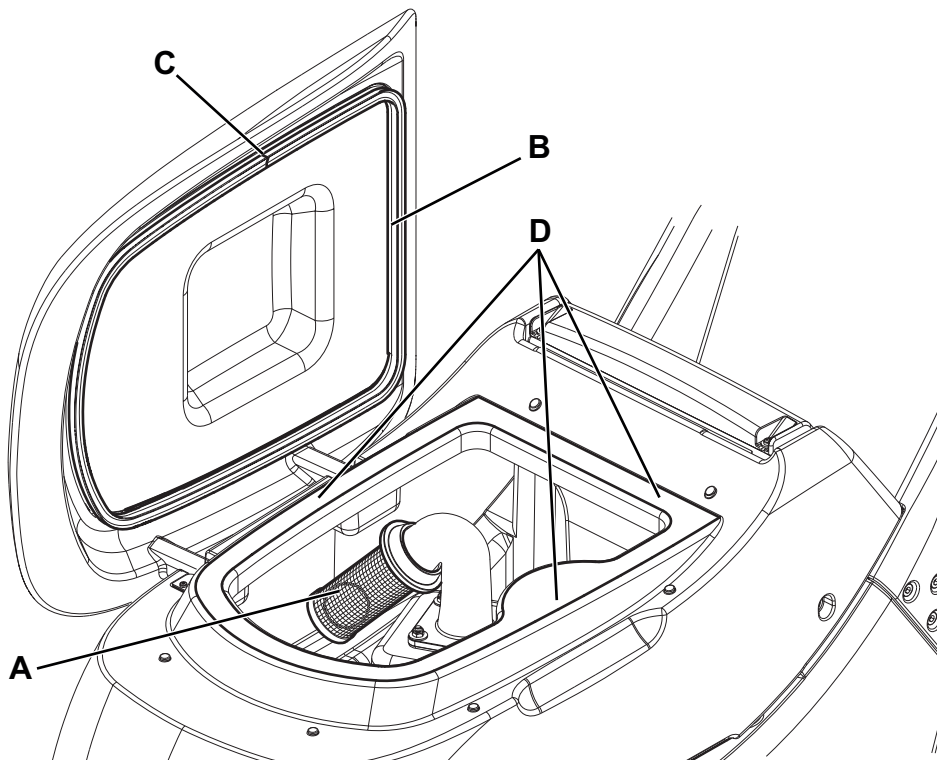


Figure 8

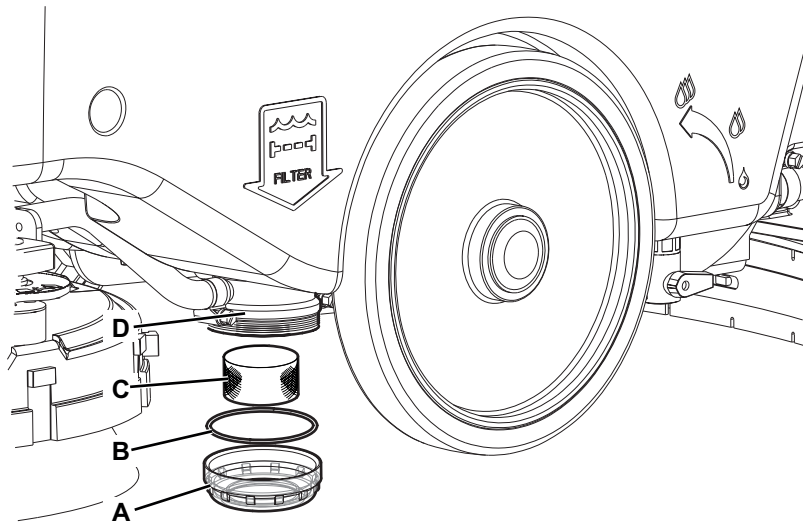
P100668

SOLUTION FILTER CLEANING

1. Empty the solution tank (15) as shown in the relevant paragraph.
2. Drive the machine on a level floor.
3. Check that the switches (41 and 42) are turned to "0" and disconnect the battery connector (8).
4. Unscrew the transparent cover (A, Fig. 9), remove the gasket (B), then remove the filter strainer (C). Clean and install them on the support (D).

**NOTE**

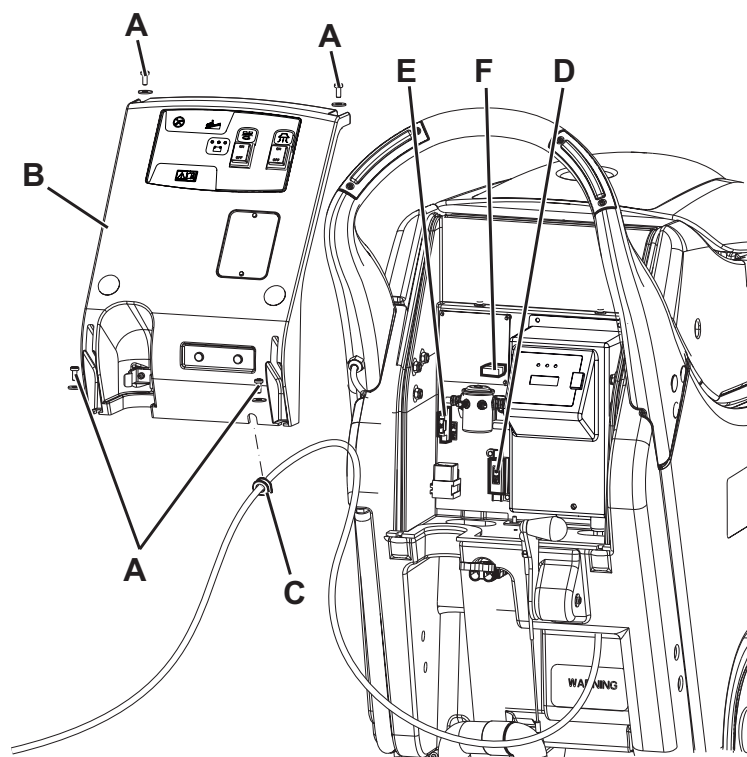
Install the gasket (B) and the filter strainer (C) properly on the cover (A) and on the support (D).

**Figure 9**

P100669

FUSE CHECK/REPLACEMENT

1. Disconnect the battery connector (8).
2. Move aside the recovery water drain hose (11).
3. Remove the battery charger cable, if equipped, from the cable holder (5).
4. Remove the screws (A, Fig. 10) and carefully move aside the panel (B) by disengaging the grommet (C) from its housing on the panel (B).
5. Check/replace the following fuses:
 - (D) Brush deck fuse F1 (40 A)
 - (E) Vacuum system fuse F2 (30 A)
 - (F) Electronic board fuse F3 (5 A)
6. Perform steps 1 to 4 in the reverse order.

**Figure 10**

P100670

TROUBLESHOOTING

Trouble	Possible Cause	Remedy
The motors do not work; no warning light turns on.	The battery connector is disconnected.	Connect.
	The batteries are completely discharged.	Charge the batteries.
	The switch (41) is broken.	Replace. (*)
The LEDs (43) flash simultaneously.	The deck motor is overloaded.	Use less aggressive brushes suitable for the floor to be cleaned.
	There are foreign materials (tangled threads, etc.) preventing the brush from rotating.	Clean the brush hub.
The brush does not work.	The fuse (F1) is blown.	Replace.
	The push-button (47) is broken.	Replace. (*)
The vacuum system motor does not turn on.	The fuse (F2) is blown.	Replace.
	The switch (42) is broken.	Replace. (*)
The dirty water vacuuming is insufficient.	The recovery tank is full.	Empty the tank.
	The hose is disconnected from the squeegee.	Connect.
	The vacuum grid is clogged or the float is stuck closed.	Clean the grid or check the float.
	The squeegee is dirty or the squeegee blades are worn or damaged.	Clean and check the squeegee.
	The tank cover is not properly closed or the gasket is damaged.	Close the cover or clean/replace the gasket.
The solution flow to the brush is insufficient.	The solution solenoid valve is faulty.	Replace. (*)
	The solution filter is dirty.	Clean the filter.
The squeegee leaves marks on the floor.	There are debris under the squeegee blades.	Remove the debris.
	The squeegee blades are worn, chipped or torn.	Replace the blades.
	The squeegee has not been adjusted with the handwheel.	Adjust it.

(*) This maintenance procedure must be performed by an authorised Advance Service Center.



NOTE

The machine is inoperative without the battery charger.

In case of battery charger malfunction, contact an authorised Service Center.

For further information, refer to the Service Manual, available at any Advance Service Center.

SCRAPPING

Have the machine scrapped by a qualified scrapper.

Before scrapping the machine, remove and separate the following materials, which must be disposed of properly according to the Law in force:

- Battery
- Brushes/pads
- Plastic hoses and components
- Electrical and electronic components (*)

(*) Refer to the nearest Advance Center especially when scrapping electrical and electronic components.

ÍNDICE

INTRODUCCIÓN.....	2
FINALIDAD Y OBJETO DE ESTE MANUAL	2
DESTINATARIOS	2
CONSERVACIÓN DEL MANUAL	2
DATOS DE IDENTIFICACIÓN.....	2
OTROS MANUALES DE REFERENCIA	2
PIEZAS DE REPUESTO Y MANTENIMIENTO	2
MODIFICACIONES Y MEJORAS	2
CARACTERÍSTICAS DE FUNCIONAMIENTO	3
CONVENCIONES.....	3
DESEMBALAJE/ENTREGA.....	3
SEGURIDAD	3
SÍMBOLOS VISIBLES EN LA MÁQUINA	3
SÍMBOLOS QUE APARECEN EN EL MANUAL.....	4
INSTRUCCIONES GENERALES	4
DESCRIPCIÓN DE LA MÁQUINA.....	6
ESTRUCTURA DE LA MÁQUINA.....	6
PANEL DE CONTROL	8
ACCESORIOS/OPCIONES.....	8
DATOS TÉCNICOS	9
ESQUEMA ELÉCTRICO	10
USO.....	11
CONTROL/PREPARACIÓN DE LAS BATERÍAS EN LA MÁQUINA NUEVA	11
INSTALACIÓN DE LAS BATERÍAS Y AJUSTE DEL TIPO DE BATERÍAS (WET O GEL/AGM).....	12
ANTES DE LA PUESTA EN MARCHA DE LA MÁQUINA.....	13
PUESTA EN MARCHA Y PARADA DE LA MÁQUINA	14
MÁQUINA EN FUNCIÓN (LAVADO/SECAMIENTO).....	15
TRANSPORTE/ESTACIONAMIENTO DE LA MÁQUINA.....	16
VACIADO DE LOS DEPÓSITOS.....	16
DESPUÉS DEL USO DE LA MÁQUINA	16
REMOCIÓN DEL DEPÓSITO DEL AGUA DE RECUPERACIÓN	17
PERIODO DE LARGA INACTIVIDAD DE LA MÁQUINA.....	17
MANTENIMIENTO	18
ESQUEMA DE MANTENIMIENTO PROGRAMADO.....	18
CARGA DE LAS BATERÍAS.....	19
LIMPIEZA DE LA BOQUILLA.....	20
CONTROL Y SUSTITUCIÓN DE LOS CAUCHOS DE LA BOQUILLA.....	20
LIMPIEZA DEL CEPILLO.....	21
LIMPIEZA DE LOS DEPÓSITOS Y DE LA REJILLA DE ASPIRACIÓN	21
LIMPIEZA DEL FILTRO DE LA SOLUCIÓN DETERGENTE.....	22
CONTROL/SUSTITUCIÓN DE LOS FUSIBLES	23
BÚSQUEDA AVERÍAS	24
ELIMINACIÓN.....	24

INTRODUCCIÓN



NOTA

Los números entre paréntesis se refieren a los componentes ilustrados en el capítulo Descripción de la máquina.

FINALIDAD Y OBJETO DE ESTE MANUAL

Este manual contiene todas las informaciones necesarias para que el operador utilice la máquina de forma adecuada, autónoma y segura. Incluye informaciones inherentes a los datos técnicos, la seguridad, el funcionamiento, el almacenamiento, el mantenimiento, las piezas de repuesto y la eliminación.

Antes de efectuar cualquier operación de mantenimiento, los operadores y los técnicos calificados tienen que leer cuidadosamente las instrucciones incluidas en este manual. En caso de dudas sobre la correcta interpretación de las instrucciones, consultar Advance para obtener explicaciones.

DESTINATARIOS

Este manual es para los operadores y los técnicos encargados del mantenimiento de la máquina.

Los operadores no deben efectuar procedimientos reservados a los técnicos calificados. Advance no es responsable para los daños causados a la máquina por falta de observación de esta prohibición.

CONSERVACIÓN DEL MANUAL

El Manual de instrucciones de uso y mantenimiento debe conservarse junto a la máquina, dentro de su contenedor, lejos de líquidos y otras sustancias que podrían dañarlo.

DATOS DE IDENTIFICACIÓN

El número de serie y el modelo de la máquina están marcados en la placa (29).

En la misma placa se indican también el año de fabricación y el código del producto.

Esta información es necesaria cuando se pidan piezas de repuesto para la máquina. Usar el espacio siguiente para escribir los datos de identificación de la máquina.

Modelo MÁQUINA
Código del PRODUCTO
Número de serie MÁQUINA

OTROS MANUALES DE REFERENCIA

Manual del cargador de baterías electrónico, debe considerarse parte integrante de este manual

Los siguientes manuales son también disponibles:

- Manual de asistencia (que se puede consultar en los Centros de asistencia Advance)
- Catálogo piezas de repuestos (en dotación a la máquina)

PIEZAS DE REPUESTO Y MANTENIMIENTO

Para cualquier necesidad inherente al uso, mantenimiento y reparación, consultar al personal calificado o los Centros de asistencia Advance.

Se recomienda usar sólo piezas de repuesto y accesorios originales.

Para la asistencia o para pedir piezas de repuesto y accesorios acudir a Advance, especificando siempre el modelo, el código del producto y el número de serie de la máquina.

MODIFICACIONES Y MEJORAS

Advance está constantemente mejorando sus productos y se reserva el derecho de realizar modificaciones y mejoras a su discreción, sin verse obligada a aplicar dichas ventajas a las máquinas vendidas previamente.

Sólo Advance puede aprobar y efectuar cualquier modificación y/o instalación de accesorios.

CARACTERÍSTICAS DE FUNCIONAMIENTO

Las fregadoras/secadoras son adecuadas para limpiar (lavar y secar) suelos lisos y sólidos, en ambiente privado o industrial, en condiciones de seguridad, por parte de un operador calificado.

La fregadora/secadora no es adecuada para limpiar alfombras o moqueta.

CONVENCIONES

En este manual, las indicaciones de adelante, atrás, delantero, trasero, derecho e izquierdo, se refieren al operador en posición de conducción con las manos sobre el manillar (2).

DESEMBALAJE/ENTREGA

Para desembalar la máquina seguir cuidadosamente las instrucciones colocadas sobre el embalaje.

Al momento de la entrega, controlar con cuidado el embalaje y la máquina por si hayan sufrido daños durante el transporte.

Si los daños son evidentes, conservar el embalaje, de forma que el transportista que lo ha entregado lo pueda inspeccionar.

Contactarlo de inmediato para compilar una indemnización daños y perjuicios.

Controlar que la máquina sea entregada junto a los siguientes componentes:

- Documentación técnica:
 - Manual de instrucciones de uso de la fregadora/secadora
 - Manual del cargador de baterías
 - Catálogo piezas de repuestos de la fregadora/secadora
- N° 2 fusibles laminares



¡ATENCIÓN!

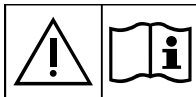
Los Productos a la venta en este Manual contienen, o pueden contener, productos químicos reconocidos por algunos gobiernos (como el Estado de California, según lo indica en su Proposición 65, Ley de Advertencia Regulatoria) como causantes de cáncer, defectos de nacimiento u otros daños reproductivos. En algunas jurisdicciones (incluido el Estado de California), los compradores de estos Productos que los coloquen en servicio en un emplazamiento laboral o en un espacio de acceso público tienen la obligación regulatoria de realizar determinados avisos, advertencias o divulgaciones respecto de los productos químicos contenidos o posiblemente contenidos en los Productos utilizados en tal lugar. Es la responsabilidad del comprador conocer y cumplir con todas las leyes y reglamentaciones relacionadas con el uso de estos Productos en tales entornos. El Fabricante niega toda responsabilidad de informar a los compradores sobre requisitos específicos que pueden regir el uso de los Productos en tales entornos.

SEGURIDAD

La siguiente simbología sirve para señalar situaciones de peligro potencial. Leer siempre cuidadosamente estas informaciones y tomar las precauciones necesarias para proteger personas y cosas.

Para evitar desgracias, la cooperación del operador de la máquina es fundamental. Ningún programa de prevención de accidentes resulta eficaz sin la total cooperación de la persona directamente responsable del funcionamiento de la máquina. La mayoría de los accidentes que pueden ocurrir en una empresa, durante el trabajo o los traslados, son causados por no observar las reglas de seguridad fundamentales. Un operador cuidadoso y cauto es la mejor garantía para evitar posibles accidentes y resulta más eficaz que cualquier programa de prevención.

SÍMBOLOS VISIBLES EN LA MÁQUINA



¡ATENCIÓN!

Leer con cuidado todas las instrucciones antes de efectuar cualquier operación en la máquina.



¡ATENCIÓN!

No lavar la máquina con chorros de agua directa o presurizada.



¡ATENCIÓN!

No usar la máquina sobre rampas o inclinaciones superiores a las especificaciones.

SÍMBOLOS QUE APARECEN EN EL MANUAL



¡PELIGRO!
Indica un peligro con riesgo, incluso mortal, para el operador.



¡ATENCIÓN!
Indica el riesgo potencial de infortunios para las personas.



¡ADVERTENCIA!
Indica una advertencia o una nota sobre una función importante o útil.
Tener cuidado de las partes del texto marcadas con este símbolo.



NOTA
Indica una nota sobre una función importante o útil.



CONSULTAS
Indica la necesidad de consultar el Manual de instrucciones de uso antes de efectuar cualquier operación.

INSTRUCCIONES GENERALES

Se describen aquí las advertencias y precauciones específicas por lo que se refiere a los potenciales riesgos de daños a la máquina o a las personas.



- ¡PELIGRO!**
- Antes de efectuar cualquier operación de limpieza, mantenimiento o sustitución de piezas llevar los interruptores generales de la máquina en posición "0" y, si necesario, desconectar el conector de las baterías.
 - Sólo los operadores cualificados pueden usar esta máquina.
 - Quitarse las joyas cuando se trabaja cerca de los componentes eléctricos.
 - No trabajar bajo la máquina levantada si ésta no está fijada con los soportes de seguridad adecuados.
 - No activar la máquina en un ambiente donde haya polvo, líquidos o vapores nocivos, peligrosos, inflamables y/o explosivos: esta máquina no es adecuada para recoger polvos peligrosos.
 - Si se usan baterías de plomo (WET), tener chispas, llamas y materiales fumantes lejos de las baterías. Durante el uso normal pueden salir gases explosivos.
 - Si se usan baterías de plomo (WET), cargando las baterías se produce gas hidrógeno muy explosivo. Quitar el depósito del agua de recuperación durante las operaciones de carga de las baterías y efectuar la carga solo en áreas muy bien ventiladas y lejos de llamas libres.



- ¡ATENCIÓN!**
- Antes de efectuar cualquier operación de mantenimiento/repación, leer cuidadosamente todas las instrucciones.
 - Antes de usar el cargador de baterías, asegurarse de que la frecuencia y la tensión indicadas en la placa del número de serie de la máquina coincidan con la tensión de la red.
 - No tirar o transportar la máquina por el cable del cargador de baterías; no utilizar el cable como manilla. No cerrar el cable del cargador de baterías en una puerta o tirarlo sobre bordes o ángulos afilados. No atropellar el cable del cargador de baterías con la máquina.
 - Tener el cable del cargador de baterías lejos de superficies calientes.
 - Si el cable o el enchufe del cargador de baterías están dañados, no cargar las baterías de la máquina. Si la máquina no funciona correctamente, está dañada, quedada al exterior o bañada, llevarla a un Centro de asistencia.
 - Para reducir el riesgo de incendio, electrochoque o lesiones, no dejar la máquina conectada a la red eléctrica cuando está sin custodia. Antes de efectuar las operaciones de mantenimiento, desconectar el cable del cargador de baterías de la red eléctrica.
 - No fumar cuando se cargan las baterías.

**¡ATENCIÓN!**

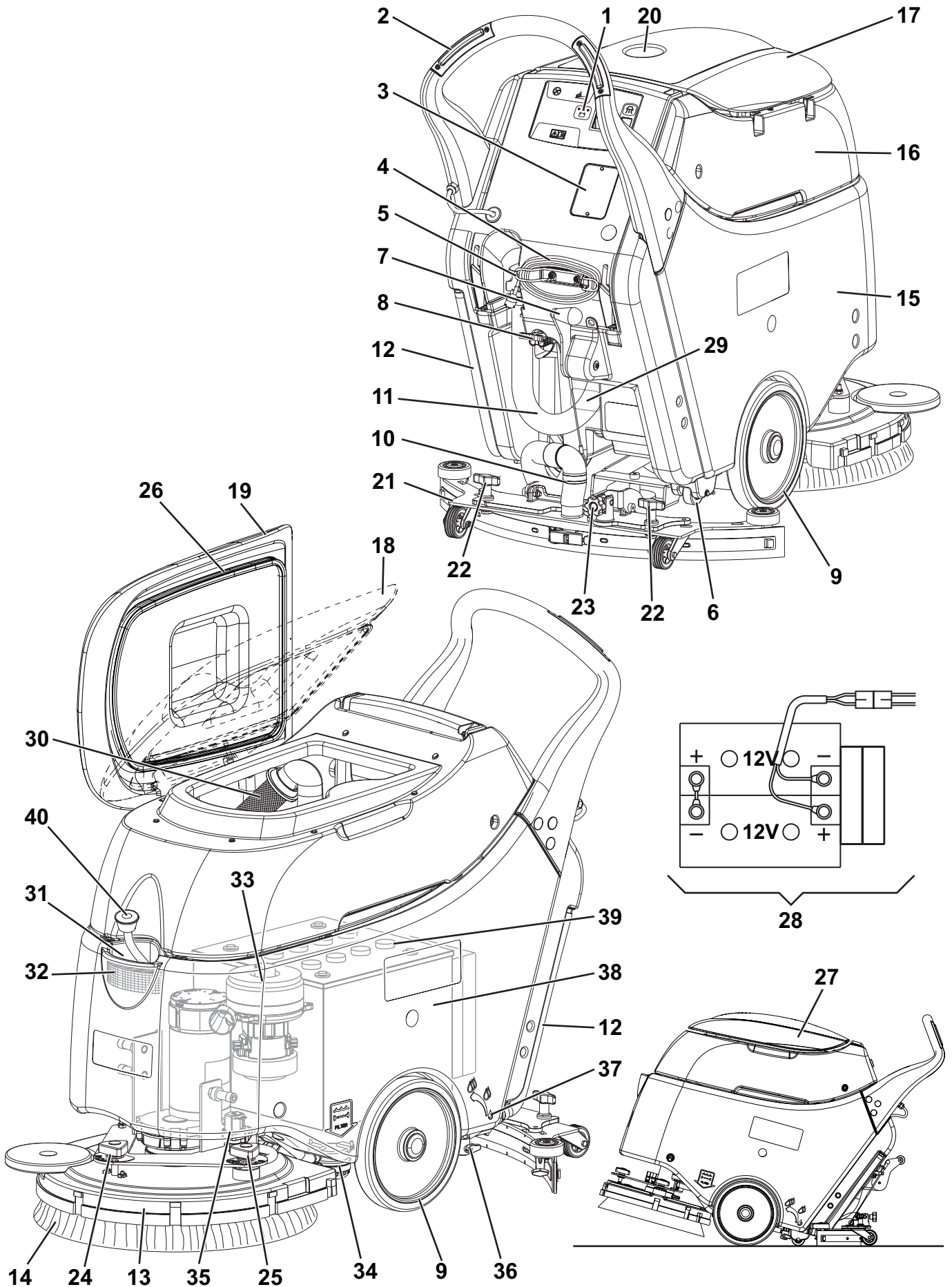
- *Proteger siempre la máquina del sol, lluvia y otras intemperies, tanto durante el funcionamiento como durante los periodos de inactividad. Almacenar la máquina en un lugar cerrado y seco: esta máquina sólo se puede usar en seco y no se debe usar o tener al exterior en condiciones de humedad.*
- *Antes de usar la máquina, cerrar todos los portillos y/o las tapas como indicado en el Manual de instrucciones de uso.*
- *El aparato no está diseñado para que lo usen personas (incluidos los niños) con reducidas capacidades físicas, mentales o sensoriales o con experiencia y/o competencias insuficientes, a no ser que lo utilicen bajo la supervisión de una persona responsable de su seguridad o que ésta les enseñe a usarlo. Los niños deben ser supervisados para asegurarse de que no jueguen con el aparato.*
- *Tener mucho cuidado cuando se utiliza cerca de niños.*
- *No usar con finalidades diferentes de aquellas indicadas en este manual. Usar sólo los accesorios recomendados por Advance.*
- *Controlar con cuidado la máquina antes de usarla, comprobar que se hayan montados todos los componentes antes de usarla. El uso de la máquina no perfectamente montada puede causar lesiones a personas y daños a los aparatos.*
- *Tomar todas las precauciones necesarias para que el pelo, las joyas y las ropas no sean capturados por las partes móviles de la máquina.*
- *No usar la máquina sobre rampas o inclinaciones superiores a las especificaciones.*
- *No usar la máquina sobre pendientes.*
- *No usar la máquina sobre rampas o inclinaciones superiores a las especificaciones.*
- *No usar la máquina en ambientes demasiado polvorientos.*
- *Usar la máquina sólo en áreas con suficiente iluminación.*
- *Cuando se usa esta máquina, tener cuidado de salvaguardar la incolumidad de personas y cosas.*
- *No chocar contra estanterías o andamios de los que puedan caer objetos.*
- *No apoyar contenedores de líquidos sobre la máquina, usar el portabebidas.*
- *La temperatura de la máquina en trabajo debe estar entre 32 °F y 104 °F (0 °C y +40 °C).*
- *La temperatura de almacenamiento de la máquina debe estar entre +32 °F y +104 °F (0 °C y +40 °C).*
- *La humedad debe estar entre el 30% y el 95%.*
- *Cuando se usan detergentes, seguir las instrucciones y advertencias indicadas en las etiquetas de los frascos.*
- *Cuando se usan detergentes, usar guantes y protecciones adecuadas.*
- *No usar la máquina como vehículo de transporte.*
- *No permitir que el cepillo/filtro funcione mientras la máquina está parada en un punto para evitar posibles daños al suelo.*
- *En caso de incendio usar un extintor de polvo, no de agua.*
- *No adulterar por ninguna razón la máquina, respetar escrupulosamente las instrucciones previstas para el mantenimiento ordinario.*
- *No dejar que material extraño entre en las aperturas. No usar la máquina si las aperturas están obstruidas. Las aperturas deben mantenerse libre de polvo, hilacha, pelos y cualquier otro cuerpo extraño que pueda reducir el flujo de aire.*
- *No quitar ni modificar las placas colocadas en la máquina.*
- *Esta máquina no tiene aprobación para el uso en carreteras o vías públicas.*
- *Tener cuidado durante el traslado de la máquina en condiciones de temperatura muy baja. El agua en el depósito del agua de recuperación o en los tubos, podría congelarse y dañar la máquina.*
- *Utilizar sólo los cepillos y los filtros suministrados con la máquina o aquellos especificados en el Manual de instrucciones de uso. Usar otros cepillos o filtros puede perjudicar la seguridad.*
- *Cuando la máquina no funciona correctamente, asegurarse de que esto no sea causado por falta de mantenimiento. En caso contrario, pedir la intervención del personal autorizado o del Centro de asistencia autorizado.*
- *Si deben sustituirse piezas, solicitar piezas de repuesto ORIGINALES a un Concesionario y/o Revendedor autorizado.*
- *Para asegurar condiciones de funcionamiento correcto y seguro, el personal autorizado o el Centro de asistencia autorizado debe llevar a cabo el mantenimiento programado según las especificaciones indicadas en el capítulo relacionado de este manual.*
- *No lavar la máquina con chorros de agua directa o presurizada, o con sustancias corrosivas.*
- *Nunca se debe abandonar la máquina al final del ciclo vital, por la presencia de materiales tóxicos y dañinos (baterías, aceites, etc.) sujetos a normativas que exigen que se realice la eliminación en centros especiales (véase el capítulo Eliminación).*

DESCRIPCIÓN DE LA MÁQUINA

ESTRUCTURA DE LA MÁQUINA

1. Panel de control
2. Manillar
3. Ventanilla de lectura de los datos del cargador de baterías
4. Cable del cargador de baterías
5. Soporte del cable del cargador de baterías
6. Rueda trasera de estacionamiento
7. Palanca de subida/bajada de la boquilla
8. Conector (rojo) de conexión de las baterías.
Este conector funciona también como pulsador de EMERGENCIA, para la interrupción inmediata de todas las funciones.
9. Ruedas delanteras en eje fijo
10. Tubo de aspiración de la boquilla
11. Tubo de descarga del agua de recuperación
12. Tubo de nivel y de descarga de la solución detergente
13. Cabezal portacepillo
14. Cepillo/portafiltros
15. Depósito de la solución detergente
16. Depósito del agua de recuperación
17. Tapa del depósito del agua de recuperación
18. Tapa del depósito del agua de recuperación (parcialmente abierta)
19. Tapa del depósito del agua de recuperación (abierta por completo)
20. Portaobjetos
21. Boquilla
22. Empuñaduras de fijación de la boquilla
23. Empuñadura de ajuste del equilibrado de la boquilla
24. Empuñadura de ajuste de la marcha rectilínea de la máquina
25. Empuñadura de ajuste de la velocidad de marcha de la máquina
26. Guarnición de la tapa del depósito
27. Máquina en posición de estacionamiento
28. Esquema de conexión de las baterías
29. Placa número de serie/datos técnicos/marcación de conformidad
30. Rejilla de aspiración con cierre automático de flotador
31. Boca de llenado de la solución detergente
32. Filtro de esponja
33. Motor sistema de aspiración
34. Filtro de la solución detergente
35. Electroválvula
36. Palanca de ajuste del flujo de la solución detergente
37. Posición ECO de la palanca de ajuste del flujo de la solución detergente (uso "económico" del agua, para una autonomía de lavado programada de ~ 90 minutos)
38. Baterías
39. Tapones de las baterías
40. Tubo extraíble para cargar el agua (opcional)

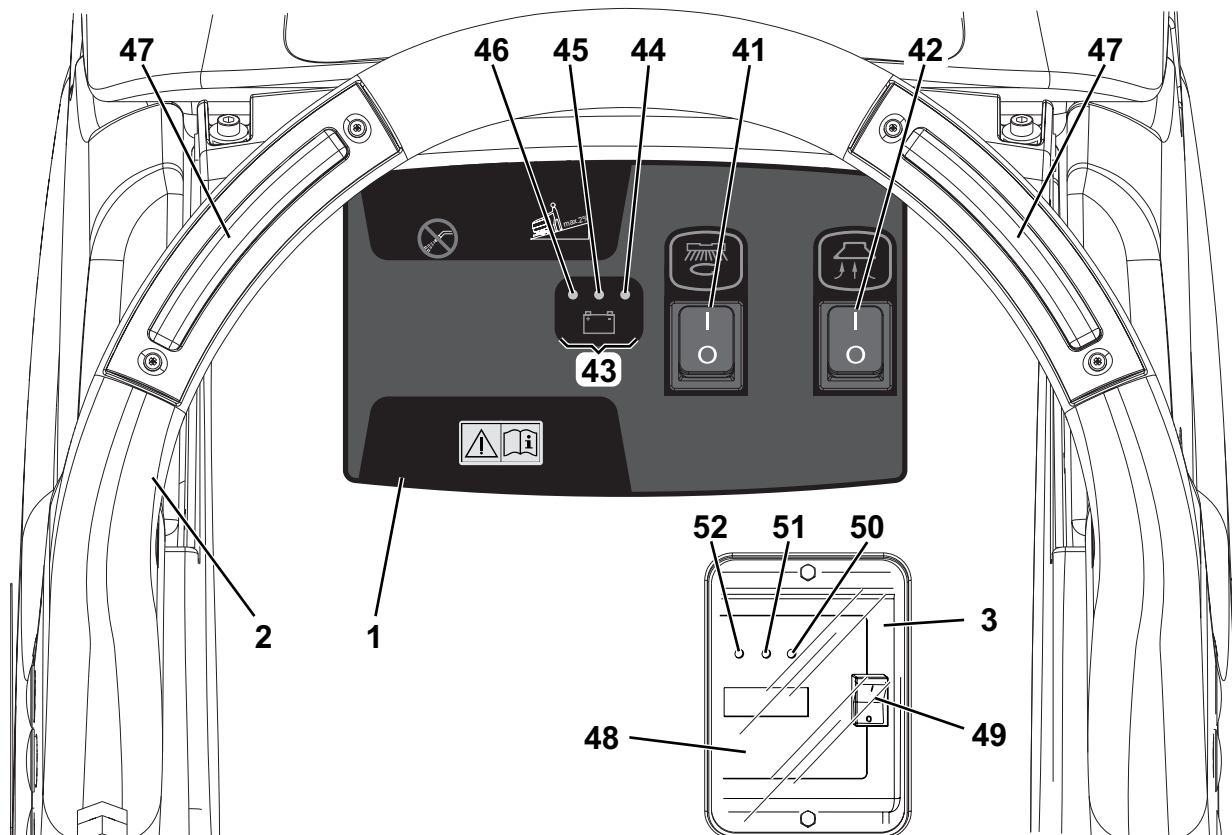
ESTRUCTURA DE LA MÁQUINA (Sigue)



P100658

PANEL DE CONTROL

- 41. Interruptor cepillo/portafiltro
- 42. Interruptor del sistema de aspiración
- 43. Indicador condición de carga de las baterías
- 44. LED verde - baterías cargadas
- 45. LED amarillo - baterías casi descargadas
- 46. LED rojo - baterías descargadas
- 47. Pulsador de accionamiento cepillo
- 48. Cargador de baterías electrónico
- 49. Selector baterías de plomo (WET) o de gel (GEL)
- 50. Indicador luminoso verde (cargador de baterías encendido y baterías cargadas)
- 51. Indicador luminoso amarillo (cargador de baterías encendido y baterías casi cargadas)
- 52. Indicador luminoso rojo (cargador de baterías encendido y baterías en fase de carga)



P100659

ACCESORIOS/OPCIONES

Además de los componentes instalados en la versión estándar, la máquina puede equiparse con los siguientes accesorios/ opciones, según el uso específico:

- Baterías de GEL
- Cepillos de diferentes materiales
- Filtros de diferentes materiales
- Cauchos de la boquilla en poliuretano
- Tubo extraíble para cargar la solución detergente

Para informaciones suplementarias sobre estos accesorios opcionales, acudir al Revendedor autorizado.

DATOS TÉCNICOS

Modelo	SC450
Capacidad del depósito de la solución detergente	10,5 US gal (40 litros)
Capacidad del depósito del agua de recuperación	11,9 US gal (45 litros)
Longitud de la máquina	46,4 in (1.180 mm)
Anchura de la máquina sin boquilla	22 in (559 mm)
Altura de la máquina	41,7 in (1.060 mm)
Diámetro cepillo	20 in (530 mm)
Anchura de la boquilla	30 in (760 mm)
Anchura de barrido	20 in (530 mm)
Diámetro rueda delantera	10 in (254 mm)
Presión específica al suelo de la rueda	710 psi (4,9 N/mm ²)
Presión cepillo/filtro en el suelo con depósito lleno y boquilla bajada	66 lb (30 kg)
Flujo mín/máx de la solución detergente	0,10 ÷ 0,42 gpm (0,4 ÷ 1,6 litros/min)
Flujo de la solución detergente ECO	0,10 gpm (0,4 litros/min)
Presión sonora a la oreja del operador (ISO 11201, ISO 4871, EN 60335-2-72) (LpA)	68 dB(A) ± 3 dB(A)
Potencia acústica emitida por la máquina (ISO 3744, ISO 4871, EN 60335-2-72) (LwA)	85 dB(A)
Nivel de vibraciones al brazo del operador (ISO 5349-1, EN 60335-2-72)	< 98,4 in/s ² (< 2,5 m/s ²)
Inclinación máxima de trabajo	2 %
Grado de protección IP	X4
Clase de protección (eléctrica)	III
Potencia del motor del sistema de aspiración	0,44 hp (330 W)
Vacío del circuito del sistema de aspiración	0,0107 MPa (1.100 mmH ₂ O)
Potencia motor cepillo	0,64 hp (480 W)
Velocidad de rotación cepillo	154 rpm
Potencia total absorbida	34 A (0,8 kW)
Dimensiones compartimiento baterías (anchura x longitud x altura)	13,7 x 13,7 x 11,8 in (350 x 350 x 300 mm)
Tensión batería	24 V
Baterías estándares (cantidad 2)	En seco: 12 V 70 Ah C5
Cargador de baterías	100-240 VAC
Autonomía de la batería estándar	2 horas
Peso sin baterías y con los depósitos vacíos	167 lb (76 kg)
Peso máximo en orden de marcha (GVW)	419 lb (190 kg)
Peso de envío	227 lb (103 kg)

Composición de material de la máquina y reciclabilidad

Tipo	% reciclable	SC450
Aluminio	100 %	8 %
Motores eléctricos - misc.	29 %	18 %
Materiales ferrosos	100 %	19 %
Cableados	80 %	1 %
Líquidos	100 %	0 %
Plástico - no reciclable	0 %	1 %
Plástico - reciclable	100 %	9 %
Polietileno	92 %	42 %
Caucho	20 %	2 %

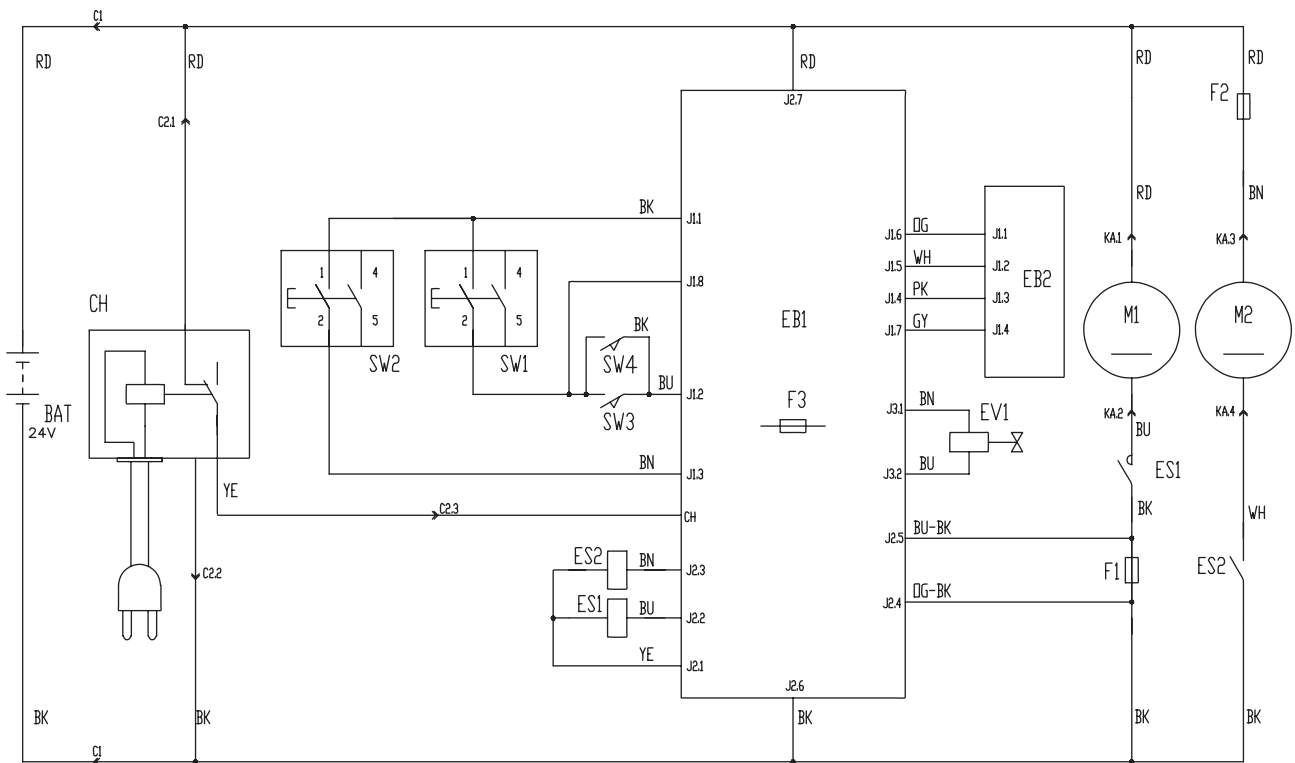
ESQUEMA ELÉCTRICO

Leyenda

BAT	Baterías 24 V
C1	Conector de las baterías
C2	Cable del cargador de baterías
CH	Cargador de baterías
EB1	Tarjeta electrónica funciones
EB2	LED tarjeta electrónica
ES1	Telerruptor del motor del cepillo/portafiltro
ES2	Relé del motor del sistema de aspiración
EV1	Electroválvula de la solución detergente
F1	Fusible del motor del cepillo (40 A)
F2	Fusible del motor del sistema de aspiración (30 A)
F3	Fusible electroválvula y tarjeta electrónica (5 A)
M1	Motor cepillo/portafiltro
M2	Motor sistema de aspiración
SW1	Interruptor cepillo/portafiltro
SW2	Interruptor del sistema de aspiración
SW3	Pulsador de accionamiento cepillo
SW4	Pulsador de accionamiento cepillo

Códigos color

BK	Negro
BU	Azul
BN	Marrón
GN	Verde
GY	Gris
OG	Anaranjado
PK	Rosado
RD	Rojo
VT	Morado
WH	Blanco
YE	Amarillo



P100660

USO**¡ATENCIÓN!**

En unas partes de la máquina hay unas placas adhesivas que indican:

- **PELIGRO**
- **ATENCIÓN**
- **ADVERTENCIA**
- **CONSULTAS**

Leyendo este Manual, el operador tiene que aprender el sentido de los símbolos indicados en las placas (véase el párrafo Símbolos visibles en la máquina).

Por ninguna razón estas placas deben cubrirse y si están dañadas tienen que sustituirse de inmediato.

CONTROL/PREPARACIÓN DE LAS BATERÍAS EN LA MÁQUINA NUEVA**¡ATENCIÓN!**

Si no se instalan correctamente las baterías, los componentes eléctricos de la máquina podrían dañarse.

Sólo el personal calificado puede efectuar la instalación de las baterías. Ajustar el cargador de baterías según el tipo de batería utilizado (WET o GEL/AGM).

Antes de instalar las baterías, controlar que no estén dañadas.

Desconectar el conector de las baterías o el enchufe del cargador de baterías.

Desplazar las baterías con mucho cuidado.

Instalar las tapas de protección de los terminales de las baterías, en dotación a la máquina.

La máquina necesita dos baterías de 12 V, conectadas según el esquema (28).

La máquina puede ser entregada con las siguientes configuraciones:

Baterías WET o GEL/AGM instaladas en la máquina y listas para ser usadas

1. Poner en marcha la máquina pulsando los interruptores del cepillo/portafiltro (41) y del sistema de aspiración (42). Si el LED verde (44) se enciende, las baterías están cargadas y pueden utilizarse.
2. Si se enciende el LED amarillo (45) o rojo (46) es necesario cargar las baterías (véase el procedimiento en el capítulo Mantenimiento).

Sin baterías

1. Comprar unas baterías adecuadas [véase el párrafo Datos técnicos y el esquema (28)]. Para escoger e instalar las baterías, acudir a un Revendedor calificado.
2. Ajustar la máquina y el cargador de baterías (si en dotación) según el tipo de baterías instaladas, como indicado en el párrafo siguiente.

INSTALACIÓN DE LAS BATERÍAS Y AJUSTE DEL TIPO DE BATERÍAS (WET O GEL/AGM)

Según el tipo de baterías instalado (WET o GEL/AGM) ajustar la tarjeta electrónica de la máquina y del cargador de baterías (si está en dotación) según el procedimiento siguiente:

Ajuste de la máquina

1. Asegurarse de que el conector de las baterías (8) esté desconectado.
La regulación en fábrica de la máquina es para baterías de GEL. Si esta regulación corresponde al tipo de baterías instalado, pasar al paso 7. En caso contrario, llevar a cabo los pasos 2, 3 y 4.
2. Desplazar el tubo de descarga del agua de recuperación (11).
3. Si presente, quitar el cable del cargador de baterías del soporte (5).
4. Quitar los tornillos (A, Fig. 1) y desplazar el panel (B) con cuidado desenganchando el anillo de caucho (C) del alojamiento del panel (B).
5. Llevar el microinterruptor (D) en la posición WET.



¡ATENCIÓN!
No tocar/desplazar el interruptor adyacente (E).

6. Llevar a cabo los puntos 3, 4 y 5 en orden contrario.

Ajuste del cargador de baterías (para máquinas con cargador de baterías a bordo)

7. Quitar los tornillos (A, Fig. 2) de la ventanilla de lectura de los datos del cargador de baterías.
8. Quitar la ventanilla (B).
9. Colocar el selector (C) en la posición WET para las baterías de plomo o en la posición GEL para las baterías de gel/agm.
10. Instalar la ventanilla (B) y apretar los tornillos (A).

Instalación de las baterías

11. Quitar el depósito del agua de recuperación (16) como indicado en el párrafo específico.
12. Instalar las baterías en la máquina según el esquema (28).



¡ADVERTENCIA!
Para equilibrar correctamente la máquina instalar las baterías dentro del compartimento, con las chapitas colocadas en la pared trasera.

13. Instalar el depósito del agua de recuperación (16).

Carga de las baterías

14. Cargar las baterías (véase el capítulo Mantenimiento).

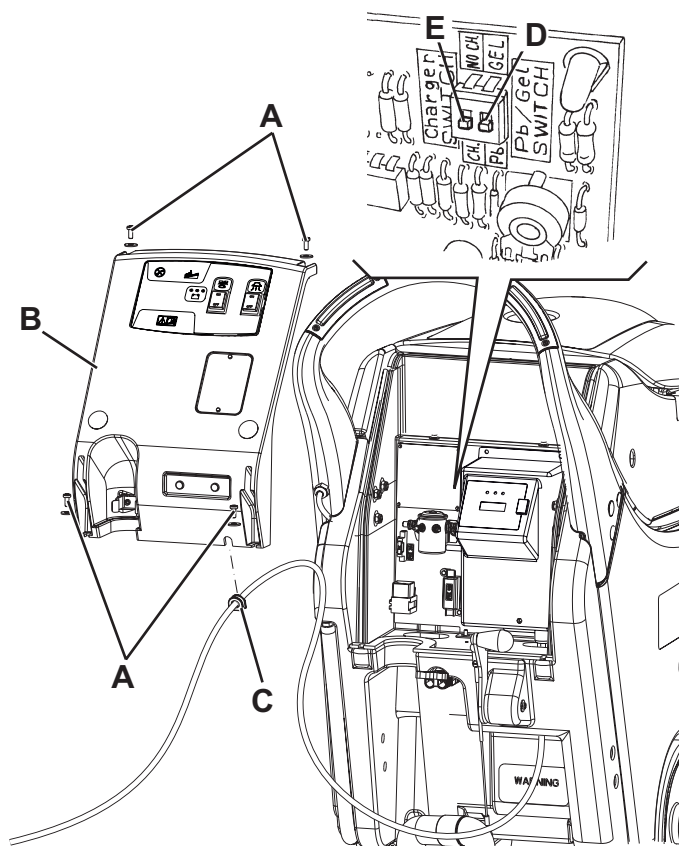


Figura 1

P100661

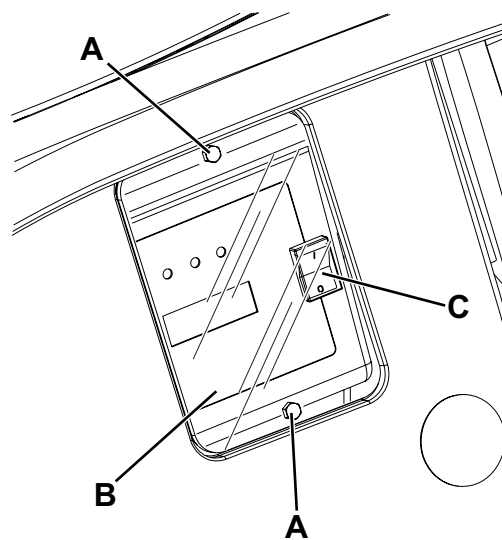


Figura 2

P100662

ANTES DE LA PUESTA EN MARCHA DE LA MÁQUINA

Instalación del cepillo o del portafiltro



NOTA

Según el tipo de suelo, es posible instalar el cepillo (A, Fig. 3) o el portafiltro (B y C).

1. Controlar que los interruptores (41 y 42) estén en posición "0".
2. Levantar el cabezal portacepillo/portafiltro (13) presionando sobre el manillar (2).
3. Colocar el cepillo (A, Fig. 3) o el portafiltro (B y C) bajo del cabezal.
4. Bajar el cabezal (13) utilizando el manillar (2).
5. Pulsar el interruptor (41) para encender la máquina.
6. Pulsar durante unos segundos los pulsadores (47) para enganchar el cepillo/portafiltro al cubo del cabezal (13). Si necesario, repetir la operación hasta enganchar el cepillo/portafiltro.

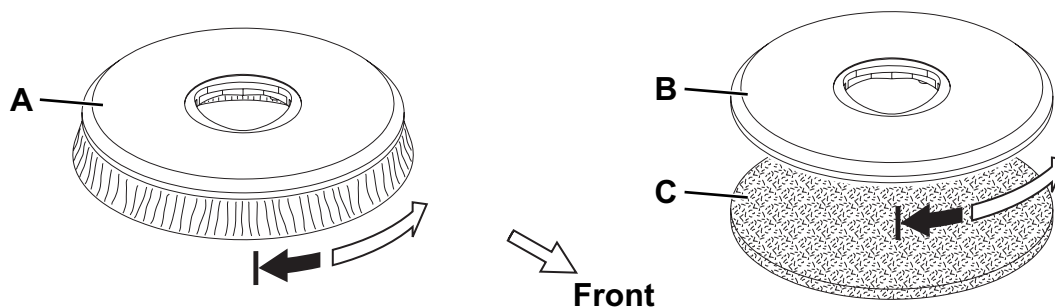


Figura 3

P100663

Tipos de cepillos disponibles y guía para su aplicación (sólo sugerencias)

Modelos	MIDLITE GRIT 180	MIDGRIT 240	PROLENE	PROLITE	UNION MIX
Limpieza general:					
Hormigón					
Suelo terraza					
Baldosas de cerámica/de cantera					
Mármol					
Baldosas de vinilo					
Baldosas de caucho					
Lustrado:					
Baldosas de caucho					
Mármol					
Baldosas de vinilo					

Instalación de la boquilla

7. Instalar la boquilla (21) y fijarla con las empuñaduras (22), luego conectar el tubo de aspiración (10) a la boquilla.
8. Mediante la empuñadura (23) ajustar la boquilla de forma que su caucho trasero toque el suelo por toda su longitud y que el caucho delantero esté ligeramente desprendido del suelo.

Llenado del depósito de la solución detergente

**¡ADVERTENCIA!**

Usar exclusivamente detergentes líquidos poco espumosos y no inflamables, que sean adecuados para este tipo de máquina.

**¡ATENCIÓN!**

Cuando se usan detergentes, seguir las instrucciones y advertencias indicadas en las etiquetas de los frascos. Cuando se usan detergentes, usar guantes y protecciones adecuadas.

9. Usando la boca (31) o el tubo extraíble (40, opcional) rellenar el depósito (15) con una solución detergente adecuada. No llenar completamente el depósito de la solución detergente, dejar unos centímetros del borde. Seguir las instrucciones indicadas en la etiqueta para la dilución del producto químico usado para componer la solución detergente. La temperatura de la solución detergente no debe superar los 104 °F (40 °C).

PUESTA EN MARCHA Y PARADA DE LA MÁQUINA

Puesta en marcha de la máquina

1. Preparar la máquina como indicado en el párrafo precedente.
2. Llegar al lugar de trabajo empujando la máquina con las manos sobre el manillar (2).
3. Bajar la boquilla (21) con la palanca (7).
4. Colocar la palanca de ajuste de flujo de la solución detergente (36) en una de las siguientes posiciones posibles, según el tipo de lavado de efectuar:
 - Sistema ECO: llevando la palanca (36) en la posición ECO (37), la máquina trabaja en una condición de utilización programada del agua; en efecto con un flujo predeterminado y constante, la máquina puede trabajar con una autonomía de lavado de ~ 90 minutos [0,10 gpm (0,4 litros/min) en término medio].
 - Sistema variable: girando la palanca a la izquierda (flujo variable), se puede aumentar el caudal hasta un máximo de 0,42 gpm (1,6 litros/min) (con depósito lleno), con una autonomía de ~ 40 minutos.
5. Pulsar los interruptores de encendido del cepillo/portafiltro (41) y del sistema de aspiración (42).
6. Pulsar los pulsadores (47) para el accionamiento del cepillo/portafiltro.
7. Empezar el trabajo de limpieza conduciendo la máquina con el manillar (2).

**NOTA**

Si el LED verde (44) se enciende, la máquina se puede usar. Si se enciende el LED amarillo (45) o rojo (46) es necesario cargar las baterías (véase el procedimiento en el capítulo Mantenimiento).

Parada de la máquina

8. Parar la máquina y el cepillo/portafiltro soltando los pulsadores (47).
9. Desactivar el cepillo/portafiltro y el sistema de aspiración pulsando los interruptores (41) y (42).
10. Levantar la boquilla (21) con la palanca (7).
11. Con el manillar (2) bajar ligeramente la máquina hasta llevar la rueda trasera (6) en contacto con el suelo en posición de estacionamiento (27).

MÁQUINA EN FUNCIÓN (LAVADO/SECAMIENTO)

1. Poner en marcha la máquina como indicado en el párrafo precedente.
2. Teniendo ambas las manos sobre el manillar (2) pulsar los pulsadores (47), luego maniobrar la máquina y empezar el trabajo de lavado/secamiento del suelo.
3. Si necesario, parar la máquina y ajustar ulteriormente la empuñadura de ajuste del equilibrado de la boquilla (23).
4. Si necesario, cambiar la cantidad de la solución detergente mediante el grifo (36).

**¡ADVERTENCIA!**

Para evitar que el suelo se dañe, no utilizar el cepillo/portafiltro cuando la máquina se queda parada en un punto.

**¡ADVERTENCIA!**

Antes de levantar el cepillo/filtro, parar su rotación soltando los pulsadores (47).

**NOTA**

Para un correcto lavado/secamiento de los suelos en los bordes de las paredes, Advance sugiere acercarse con el lado derecho de la máquina como indicado en la figura 4.

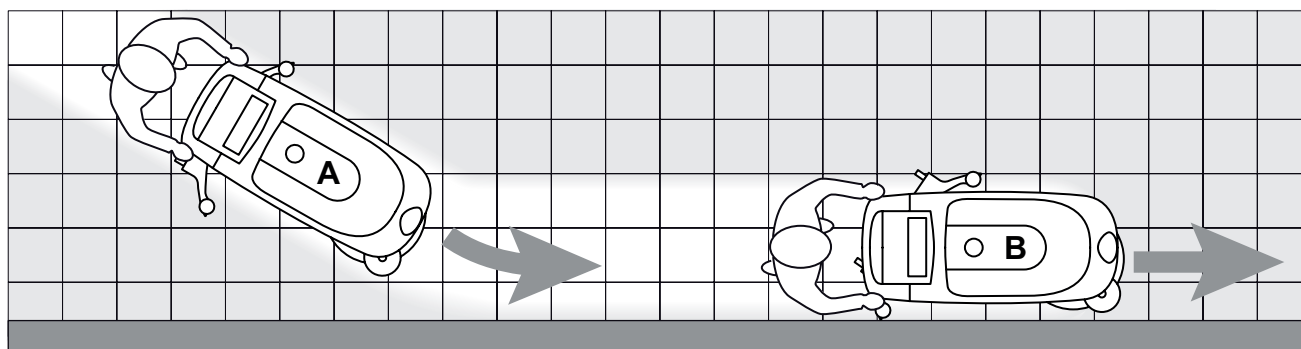


Figura 4

P100664

**¡ADVERTENCIA!**

En caso de sobrecarga del motor del cepillo/portafiltro, por causa de cuerpos extraños que obstaculizan el movimiento, o de suelos/cepillos demasiados agresivos, un sistema de seguridad bloquea el cepillo/portafiltro después de un minuto de sobrecarga continua.

La condición de sobrecarga se visualiza mediante el parpadeo simultáneo de tres LED (44, 45, 46).

Para empezar de nuevo el trabajo tras la parada del cepillo/portafiltro por causa de la sobrecarga, es necesario apagar la máquina llevando los interruptores del cepillo/portafiltro y del sistema de aspiración (41 y 42) en posición "0". Poner en marcha la máquina llevando los interruptores del cepillo/portafiltro y del sistema de aspiración (41 y 42) en posición "I".

Descarga de las baterías durante el trabajo

5. Hasta que el LED verde (44) se queda encendido, las baterías permiten el funcionamiento normal de la máquina. Cuando el LED verde (44) se apaga y se encienden en secuencia los LEDs amarillo (45) y rojo (46), es necesario cargar la batería, porque la autonomía residual de funcionamiento de la máquina es mínima.

**¡ADVERTENCIA!**

Si se insiste en usar la máquina con las baterías descargadas, las baterías se pueden dañar y su vida útil se acorta.

Ajuste de la velocidad de marcha de la máquina

6. La velocidad de marcha de la máquina cambia según el tipo de suelo y según la utilización del cepillo o del filtro. Si necesario, parar la máquina y accionar la empuñadura de ajuste de la velocidad de marcha (25) según el procedimiento siguiente:
 - girar en sentido antihorario para aumentar la velocidad de marcha;
 - girar en sentido horario para aumentar la velocidad de marcha.

Marcha rectilínea de la máquina

7. En caso de que la máquina desvíe de la dirección rectilínea de avance, se puede usar la empuñadura (24) en sentido horario o antihorario para corregir la desviación y obtener un comportamiento neutral.

TRANSPORTE/ESTACIONAMIENTO DE LA MÁQUINA

Para el transporte/estacionamiento de la máquina, efectuar los procedimientos siguientes.

1. Llevar los interruptores del cepillo/portafiltro y del sistema de aspiración (41 y 42) en posición "0".
2. Levantar la boquilla con la palanca (7).
3. Empuñar el manillar (2) y bajarlo ligeramente hasta levantar el cepillo del suelo. Manteniendo la máquina en esta condición, empujarla en un lugar adecuado para el estacionamiento. Bajar ligeramente la máquina hasta llevar la rueda trasera (6) en contacto con el suelo en posición de estacionamiento (27).
4. Después del trabajo, se aconseja quitar el cepillo/portafiltro (para el procedimiento, véase el capítulo Mantenimiento).

VACIADO DE LOS DEPÓSITOS

Un sistema de cierre automático de flotador (30) bloquea el sistema de aspiración cuando el depósito del agua de recuperación (16) está lleno.

Es posible darse cuenta del bloqueo del sistema de aspiración porque el ruido del motor del sistema de aspiración aumenta, además el suelo no seca.



¡ADVERTENCIA!

Si el sistema de aspiración se apaga de forma accidental (por ejemplo por la intervención prematura del flotador durante un desplazamiento imprevisto de la máquina), para reactivarlo apagarlo pulsando el interruptor (42), luego abrir la tapa (17) y asegurarse de que el flotador al interior de la rejilla (30) haya bajado hasta el nivel del agua. Por último cerrar la tapa (17) y reactivar el sistema de aspiración pulsando el interruptor (42).

Cuando el depósito del agua de recuperación (16) está lleno, vaciarlo según el procedimiento siguiente.

Capacidad del depósito del agua de recuperación

1. Llevar los interruptores del cepillo/portafiltro y del sistema de aspiración (41 y 42) en posición "0".
2. Levantar la boquilla con la palanca (7).
3. Llevar la máquina en el área de eliminación designada.
4. Empuñar el manillar (2) y bajarlo ligeramente hasta llevar la rueda trasera (6) en contacto con el suelo.
5. Vaciar el depósito del agua de recuperación mediante el tubo (11). Al final del trabajo, enjuagar el depósito con agua limpia.

Vaciado del depósito de la solución detergente

6. Llevar a cabo los pasos de 1 a 4.
7. Vaciar el depósito de la solución detergente mediante el tubo (12). Al final del trabajo, enjuagar el depósito con agua limpia.

DESPUÉS DEL USO DE LA MÁQUINA

Cuando el trabajo está acabado, antes de alejarse de la máquina:

1. Llevar los interruptores del cepillo/portafiltro y del sistema de aspiración (41 y 42) en posición "0".
2. Desmontar el cepillo/portafiltro, como indicado en el capítulo Mantenimiento.
3. Vaciar los depósitos (15 y 16) como indicado en el párrafo antecedente.
4. Efectuar las operaciones de mantenimiento necesarias después del uso de la máquina (véase el capítulo Mantenimiento).
5. Tener la máquina en un lugar seco y limpio, con el cepillo/portafiltro y la boquilla levantados o desmontados.

REMOCIÓN DEL DEPÓSITO DEL AGUA DE RECUPERACIÓN

Para controlar o cargar las baterías de plomo (WET), o para otras operaciones, puede ser necesario quitar el depósito del agua de recuperación (16) mediante el procedimiento siguiente.

1. Vaciar el depósito del agua de recuperación (16) como indicado en el párrafo específico.
2. Llevar la máquina sobre un suelo llano.
3. Controlar que los interruptores (41 y 42) estén en posición "0".
4. Desenganchar el tubo de descarga del agua de recuperación (11) del soporte correspondiente.
5. Empuñar el depósito del agua de recuperación (A, Fig. 5) en el área (B) y levantarlo ligeramente.
6. Desconectar el tubo de aspiración (C) del depósito.
7. Desconectar la tubería (D) de conexión de la rejilla de aspiración del depósito.
8. Quitar del orificio inferior el tubo de descarga (E), luego quitar el depósito (A).

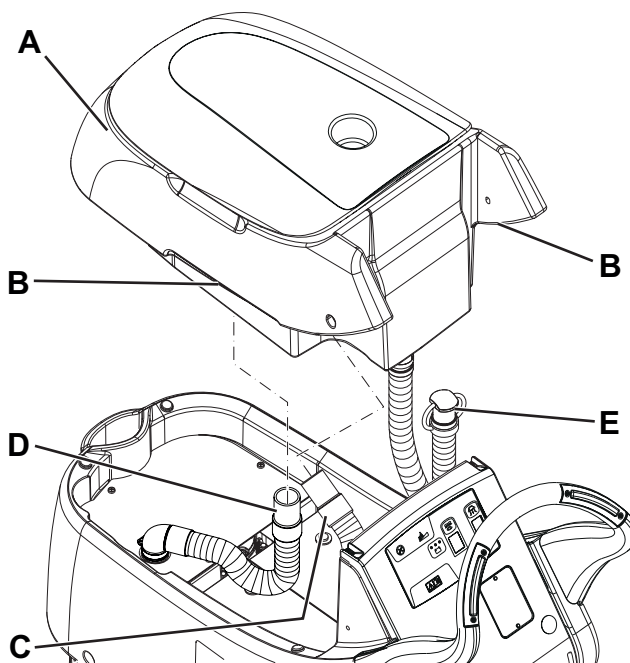


Figura 5

9. Para el montaje del depósito efectuar los pasos de 4 a 8 en el orden contrario a la remoción.

P100665

PERIODO DE LARGA INACTIVIDAD DE LA MÁQUINA

Si se piensa que la máquina no va a ser usada durante 30 días o más, seguir las indicaciones siguientes:

1. Llevar a cabo los procedimientos indicados en el párrafo "Después del uso de la máquina".
2. Desconectar el conector (8) de las baterías.

MANTENIMIENTO

Un mantenimiento cuidadoso y continuo garantiza la vida útil y la seguridad de funcionamiento de la máquina. El esquema siguiente resume el mantenimiento programado. Los períodos indicados pueden variar según las condiciones de trabajos, que el encargado del mantenimiento debe establecer.



¡ATENCIÓN!

Las operaciones de mantenimiento deben efectuarse con la máquina apagada, las baterías desconectadas y el cable del cargador de baterías desconectado.

Además, leer cuidadosamente todas las instrucciones del capítulo Seguridad.

Todas las operaciones de mantenimiento programado o extraordinario deben ser efectuadas por el personal calificado o por un Centro de asistencia autorizado.

En este manual se detallan sólo los procedimientos de mantenimiento más sencillos y frecuentes.

Para las otras operaciones de mantenimiento indicadas en el esquema de mantenimiento programado, véase el Manual de asistencia disponible en los Centros de asistencia.

ESQUEMA DE MANTENIMIENTO PROGRAMADO

Operación	Diaria, después del uso de la máquina	Semanaria	Semestral	Anual
Carga de las baterías				
Limpieza de la boquilla				
Limpieza del cepillo/filtro				
Limpieza de los depósitos y de la rejilla de aspiración con flotador y control de la guarnición de la tapa				
Control y sustitución de los cauchos de la boquilla				
Limpieza del filtro de la solución detergente				
Control del nivel del líquido de las baterías WET				
Control o sustitución de las escobillas de carbón del motor del cepillo/portafiltro				(1)
Control o sustitución de las escobillas de carbón del motor del sistema de aspiración				(1)

(1) Mantenimiento de competencia de un Centro de asistencia autorizado Advance.

CARGA DE LAS BATERÍAS



NOTA

Cargar las baterías cuando se enciende el LED amarillo (45) o rojo (46) o al final de cada trabajo.



¡ADVERTENCIA!

Si se mantienen las baterías cargadas, su durabilidad aumenta.



¡ADVERTENCIA!

No dejar las baterías descargadas durante mucho tiempo, porque su durabilidad podría reducirse. Controlar la carga de las baterías por lo menos una vez por semana.



¡ADVERTENCIA!

Para cargar las baterías con cargador de baterías externo, usar un cargador de baterías adecuado para el tipo de baterías instaladas.



¡ATENCIÓN!

Cargando las baterías se produce gas hidrógeno muy explosivo. Cargar las baterías sólo en áreas bien ventiladas y lejos de llamas libres. No fumar cuando se cargan las baterías. Quitar el depósito del agua de recuperación mientras que se cargan las baterías.



¡ATENCIÓN!

Durante la carga de las baterías WET tener mucho cuidado que el líquido de las baterías no sobresalga. Este líquido es corrosivo. En caso de contacto con la piel o los ojos lavar a conciencia con agua y consultar un médico.

1. Llevar la máquina en el área designada para la carga de las baterías.
2. Pulsar los interruptores (41 y 42) para apagar la máquina.
3. Sólo para baterías WET:
 - Quitar el depósito del agua de recuperación como indicado en el capítulo Uso. Controlar el nivel de electrolito de las baterías; si necesario, añadir a través de los tapones.
 - Dejar todos los tapones de las baterías abiertos para la recarga siguiente.
 - Si necesario, limpiar la superficie superior de las baterías.
4. Conectar el cable (4) del cargador de baterías a la red eléctrica [la tensión y la frecuencia de la red deben ser compatibles con los valores del cargador de baterías, indicados en la placa del número de serie (29) de la máquina].
Cuando el cargador de baterías está conectado a la red eléctrica, todas las funciones de la máquina se paran automáticamente.
El indicador luminoso (52) se queda encendido en el panel de control del cargador de baterías para indicar que el cargador está cargando las baterías.
5. Cuando el indicador luminoso verde (50) se enciende, el ciclo de carga de las baterías está acabado.
6. Una vez efectuada la carga, desconectar el cable (4) del cargador de baterías de la red eléctrica y engancharlo a su alojamiento (5).
7. (Sólo para baterías WET): volver a instalar el depósito del agua de recuperación.



NOTA

Para informaciones suplementarias sobre el funcionamiento del cargador de baterías (48) véase el manual relativo.

LIMPIEZA DE LA BOQUILLA



NOTA

Para un buen secamiento, la boquilla debe estar limpia y con los cauchos en buenas condiciones.



¡ADVERTENCIA!

Durante estas operaciones se aconseja usar guantes de trabajo, porque residuos cortantes podrían estar en la boquilla.

1. Llevar la máquina sobre un suelo llano.
2. Controlar que los interruptores (41 y 42) estén en posición "0".
3. Bajar la boquilla (21) con la palanca (7).
4. Aflojar las empuñaduras (22) y quitar la boquilla (21).
5. Desconectar el tubo de aspiración (10) de la boquilla.
6. Lavar y limpiar la boquilla (Fig. 6). Limpiar especialmente los huecos (A) y el orificio de aspiración (B). Controlar que los cauchos delantero (C) y trasero (D) estén en buenas condiciones, que no sean cortados o desgarrados; de lo contrario, sustituirlos (véase el procedimiento en el párrafo siguiente).
7. Montar la boquilla en orden contrario al desmontaje.

CONTROL Y SUSTITUCIÓN DE LOS CAUCHOS DE LA BOQUILLA

1. Limpiar la boquilla (Fig. 6) como indicado en el párrafo antecedente.
2. Controlar que el borde (E) del caucho delantero (C) y el borde (F) del caucho trasero (D) apoyen contemporáneamente sobre un plano de comprobación, por toda su longitud; de lo contrario ajustar la altura, como indicado a continuación:
 - Quitar el tirante (G), desenganchar los retenes (M) y ajustar el caucho trasero (D); luego enganchar los retenes e instalar el tirante.
 - Aflojar las empuñaduras (I) y ajustar el caucho delantero (C), luego apretar las empuñaduras.
3. Controlar que los cauchos delantero (C) y trasero (D) estén en buenas condiciones, que no estén cortados o desgarrados; de lo contrario, sustituirlos como indicado a continuación. Controlar también que el borde delantero (J) del caucho trasero no esté desgastado; de lo contrario volcar el caucho mismo, llevando en su posición uno de los otros bordes no desgastado. Si todos los bordes están desgastados, sustituir el caucho, mediante el procedimiento siguiente:
 - Quitar el tirante (G), desenganchar los retenes (M) y quitar la cinta de sujeción (K), luego sustituir/volcar el caucho trasero (D).
 - Montar el caucho en orden contrario al desmontaje.
 - Desenroscar las empuñaduras (I) y quitar la cinta de sujeción (L), luego sustituir el caucho delantero (C).
 - Montar el caucho en orden contrario al desmontaje.

Después de la sustitución (o vuelco) de los cauchos, ajustar su altura, como indicado en el paso antecedente.
4. Conectar el tubo de aspiración (10) a la boquilla.
5. Montar la boquilla (21) y enroscar las empuñaduras (22).
6. Si necesario, ajustar la empuñadura de ajuste del equilibrado (23) de la boquilla.

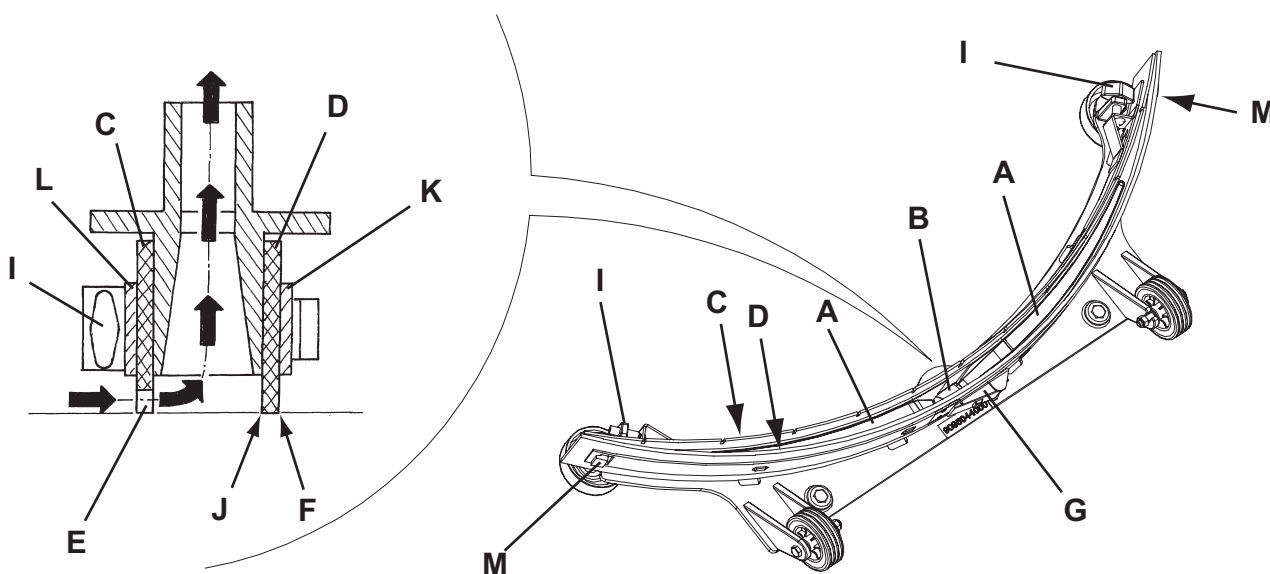


Figura 6

P100666

LIMPIEZA DEL CEPILLO



¡ADVERTENCIA!

Durante estas operaciones se aconseja usar guantes de trabajo, porque residuos cortantes podrían estar en el cepillo/filtro.

- Llevar la máquina sobre un suelo llano.
- Controlar que los interruptores (41 y 42) estén en posición "0".
- Quitar el cepillo/portafiltro como sigue:
 - Con el cabezal (13) levantado, agarrar el cepillo/portafiltro con las manos (A, Fig. 7) y girarlo en el sentido contrario al sentido de rotación (B) y luego en el sentido de rotación (C) hasta que se desenganche.
- Limpiar y lavar el cepillo/filtro con agua y detergente.
- Controlar que las cerdas del cepillo no estén dañadas o excesivamente desgastadas; de lo contrario, sustituir el cepillo.
- Controlar que el fieltro no esté excesivamente desgastado; de lo contrario, sustituirlo.

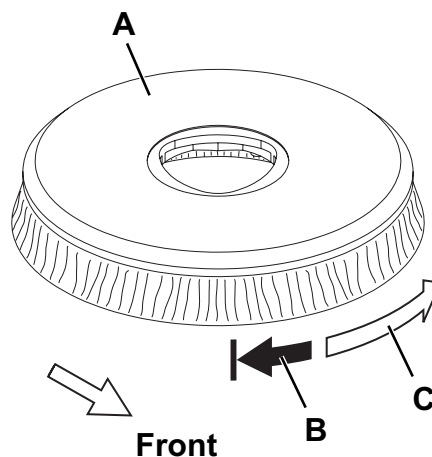


Figura 7

P100667

LIMPIEZA DE LOS DEPÓSITOS Y DE LA REJILLA DE ASPIRACIÓN

- Llevar la máquina en el área de eliminación designada.
- Controlar que los interruptores (41 e 42) estén en posición "0" y desconectar el conector de la batería (8).
- Descargar el agua de los depósitos (15 y 16) mediante el tubo de descarga (11) y el tubo (12).
- Abrir la tapa (17) y lavar con agua limpia la tapa misma, los depósitos y la rejilla de aspiración (30).
- Si necesario, desenganchar la rejilla (A, Fig. 8), limpiarla con cuidado y volver a instalar.
- Controlar la integridad de la guarnición (B) de la tapa del depósito del agua de recuperación.



NOTA

La guarnición (B) causa la formación de vacío en el depósito, necesario para la aspiración del agua de recuperación.

Si necesario, sustituir la guarnición (B), quitándola de su alojamiento. Cuando se instala la nueva guarnición, colocar la unión (C) en el área lateral indicada en la figura.

- Controlar que toda la superficie perimetral de apoyo (D) de la guarnición (B) no esté dañada y que sea adecuada para la estanqueidad de la guarnición misma.
- Cerrar la tapa del depósito del agua de recuperación (17).

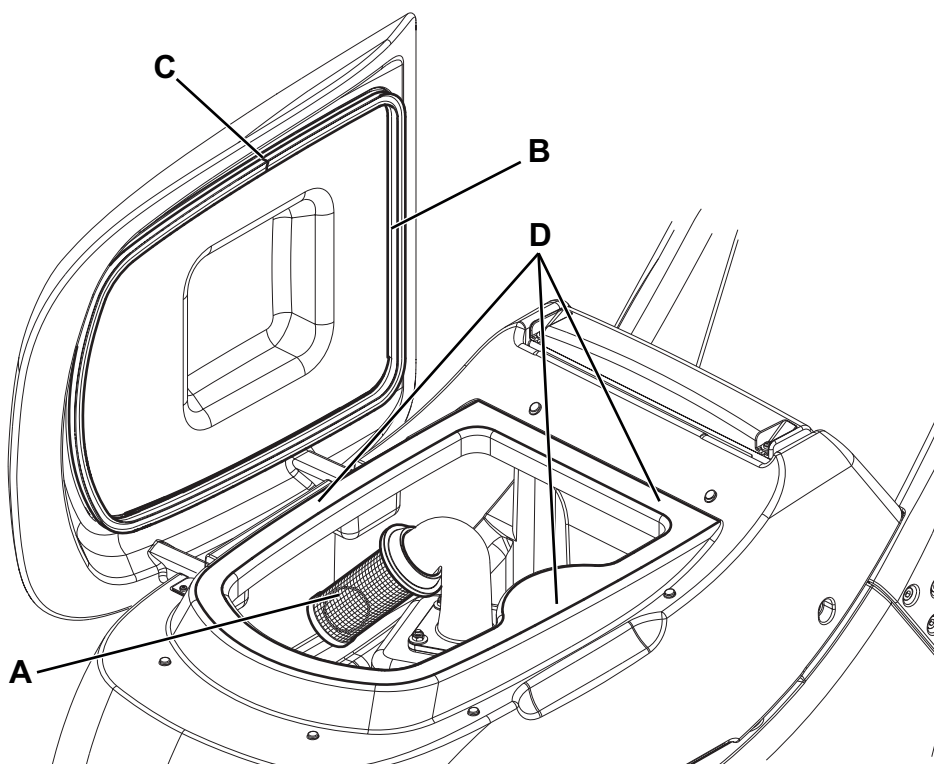


Figura 8

P100668

LIMPIEZA DEL FILTRO DE LA SOLUCIÓN DETERGENTE

1. Vaciar el depósito de la solución detergente (15) como indicado en el párrafo específico.
2. Llevar la máquina sobre un suelo llano.
3. Controlar que los interruptores (41 e 42) estén en posición "0" y desconectar el conector de la batería (8).
4. Desenroscar la tapa transparente (A, Fig. 9), quitar la guarnición (B), luego quitar la rejilla filtrante (C). Limpiarlas y montarlas en el soporte (D).



NOTA

Colocar correctamente la guarnición (B) y la rejilla filtrante (C) en los alojamientos de la tapa (A) y del soporte (D).

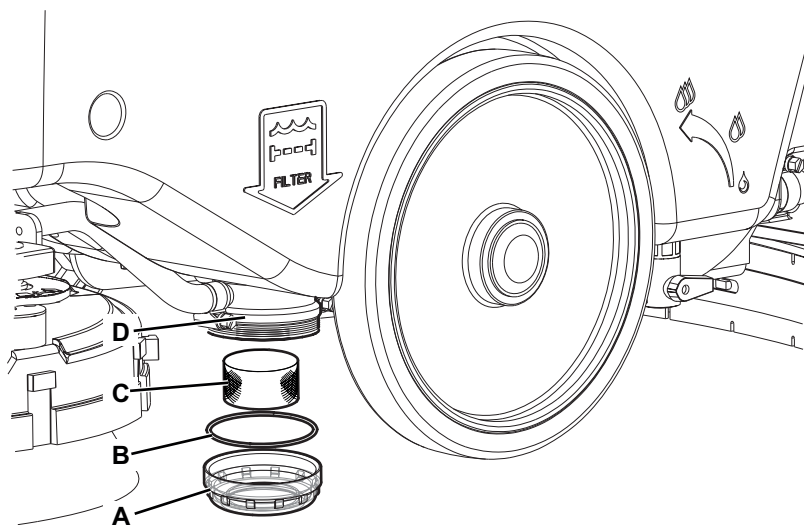
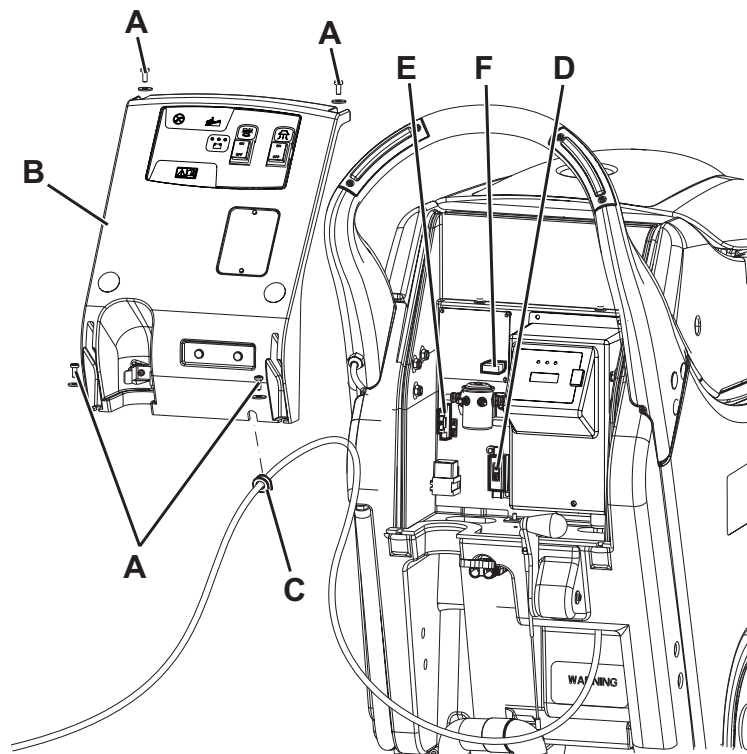


Figura 9

P100669

CONTROL/SUSTITUCIÓN DE LOS FUSIBLES

1. Desconectar el conector (8) de las baterías.
2. Desplazar el tubo de descarga del agua de recuperación (11).
3. Si presente, quitar el cable del cargador de baterías del soporte (5).
4. Quitar los tornillos (A, Fig. 10) y desplazar el panel (B) con cuidado desenganchando el anillo de caucho (C) del alojamiento del panel (B).
5. Controlar/sustituir los siguientes fusibles:
 - (D) Fusible F1 (40 A), cabezal portacepillo
 - (E) Fusible F2 (30 A), sistema de aspiración
 - (F) Fusible F3 (5 A), tarjeta electrónica
6. Llevar a cabo los puntos de 1 a 4 en orden contrario.

**Figura 10**

P100670

BÚSQUEDA AVERÍAS

Problema	Probable causa	Remedio
Los motores no funcionan; ningún indicador luminoso se enciende.	Conector baterías desconectado.	Conectarlo.
	Baterías completamente descargadas.	Cargar las baterías.
	El interruptor (41) está roto.	Sustituir. (*)
Los LED (43) parpadean simultáneamente.	El motor del cabezal está sobrecargado.	Usar un cepillo menos duro adecuado para el tipo de suelo.
	Cuerpos extraños (hilos enrollados, etc.) que puedan frenar la rotación del cepillo.	Limpiar el cubo del cepillo.
El cepillo no gira.	El fusible (F1) está quemado.	Sustituir.
	El pulsador (47) está roto.	Sustituir. (*)
El motor del sistema de aspiración no se pone en marcha.	El fusible (F2) está quemado.	Sustituir.
	El interruptor (42) está roto.	Sustituir. (*)
Insuficiente aspiración del agua de recuperación.	Depósito del agua de recuperación lleno.	Vaciar el depósito.
	Tubo desconectado de la boquilla.	Conectarlo.
	Rejilla de aspiración obstruida o flotador en cierre.	Limpiar la rejilla o controlar el flotador.
	Boquilla sucia o cauchos de la boquilla desgastados o dañados.	Limpiar y controlar la boquilla.
	Tapa de los depósitos no cerrada correctamente o guarnición dañada.	Cerrar correctamente la tapa o sustituir la guarnición.
El flujo de la solución detergente al cepillo es insuficiente.	La electroválvula de la solución detergente está averiada.	Sustituir. (*)
	Filtro del detergente sucio.	Limpiar el filtro.
Estridados causados por la boquilla.	Residuos bajo de los cauchos de la boquilla.	Quitar los residuos.
	Cauchos de la boquilla desgastados, astillados o desgarrados.	Sustituir los cauchos.
	Boquilla no ajustada mediante la empuñadura.	Ajustarla.

(*) Mantenimiento de competencia de un Centro de asistencia autorizado Advance.

**NOTA**

La máquina no puede funcionar sin el cargador de baterías.

Si el cargador de baterías está averiado, acudir a un Centro de asistencia autorizado.

Para informaciones suplementarias consultar el Manual de asistencia cerca de los Centros de asistencia Advance.

ELIMINACIÓN

Eliminar la máquina en un demoledor calificado.

Antes de eliminar la máquina es necesario quitar y separar los siguientes materiales y eliminarlos según las actuales normas de higiene ambiental:

- Batería
- Cepillos/filtros
- Tubos y componentes de plástico
- Componentes eléctricos y electrónicos (*)

(*) En particular, para la eliminación de componentes eléctricos y electrónicos, contactar con Advance.

TABLE DES MATIÈRES

INTRODUCTION	2
BUT ET CONTENU DU MANUEL	2
DESTINATAIRES.....	2
CONSERVATION DU MANUEL.....	2
DONNÉES D'IDENTIFICATION	2
AUTRES MANUELS DE RÉFÉRENCE.....	2
PIÈCES DE RECHANGE ET ENTRETIEN	2
MODIFICATIONS ET AMÉLIORATIONS	2
CAPACITÉS OPÉRATIONNELLES	3
CONVENTIONS	3
DÉBALLAGE / LIVRAISON	3
SÉCURITÉ	3
SYMBOLES VISIBLES SUR LA MACHINE.....	3
SYMBOLES UTILISÉS DANS LE MANUEL.....	4
INSTRUCTIONS GÉNÉRALES.....	4
DESCRIPTION DE LA MACHINE	6
STRUCTURE DE LA MACHINE.....	6
TABLEAU DE BORD	8
ACCESSOIRES / OPTIONS.....	8
CARACTÉRISTIQUES TECHNIQUES.....	9
SCHÉMA ÉLECTRIQUE.....	10
UTILISATION	11
CONTRÔLE / PRÉPARATION DES BATTERIES SUR UNE MACHINE NEUVE	11
INSTALLATION DES BATTERIES ET CONFIGURATION DU TYPE DE BATTERIES (WET OU GEL/AGM).....	12
AVANT LA MISE EN MARCHÉ DE LA MACHINE	13
MISE EN MARCHÉ ET ARRÊT DE LA MACHINE	14
MACHINE AU TRAVAIL (LAVAGE / SÉCHAGE)	15
TRANSPORT / STATIONNEMENT DE LA MACHINE.....	16
VIDANGE DES RÉSERVOIRS.....	16
APRÈS L'UTILISATION DE LA MACHINE	16
DÉPOSE DU RÉSERVOIR DE L'EAU DE RÉCUPÉRATION	17
INACTIVITÉ PROLONGÉE DE LA MACHINE	17
ENTRETIEN	18
PLAN D'ENTRETIEN PROGRAMMÉ.....	18
CHARGEMENT DES BATTERIES	19
NETTOYAGE DE L'EMBOUCHURE	20
CONTRÔLE ET REMPLACEMENT DES LAMELLES EN CAOUTCHOUC DE L'EMBOUCHURE	20
NETTOYAGE DE LA BROUSSE.....	21
NETTOYAGE DES RÉSERVOIRS ET DE LA GRILLE D'ASPIRATION.....	21
NETTOYAGE DU FILTRE DE LA SOLUTION	22
CONTRÔLE / REMPLACEMENT DES FUSIBLES	23
DÉPISTAGE DES PANNES	24
MISE À LA FERRAILLE	24

INTRODUCTION



REMARQUE

Les nombres entre parenthèses se réfèrent aux composants indiqués au chapitre Description de la machine.

BUT ET CONTENU DU MANUEL

Ce manuel se propose de fournir à l'opérateur toutes les informations nécessaires afin qu'il puisse utiliser la machine correctement et la gérer de la manière la plus autonome et sûre. Il comprend des informations concernant l'aspect technique, la sécurité, le fonctionnement, l'arrêt de la machine, l'entretien, les pièces de rechange et la mise à la ferraille.

Avant d'effectuer toute opération sur la machine, les opérateurs et les techniciens qualifiés doivent lire attentivement les instructions contenues dans ce manuel. En cas de doutes sur la correcte interprétation des instructions, contacter Advance pour avoir plus de renseignements.

DESTINATAIRES

Ce manuel s'adresse à l'opérateur aussi bien qu'aux techniciens préposés à l'entretien de la machine.

Les opérateurs ne doivent pas exécuter les opérations réservées aux techniciens qualifiés. Advance ne répond pas des dommages dus à l'inobservance de cette interdiction.

CONSERVATION DU MANUEL

Le Manuel des instructions d'utilisation doit être gardé près de la machine, dans une enveloppe spéciale et, surtout, loin de liquides et de tout ce qui pourrait en compromettre l'état de lisibilité.

DONNÉES D'IDENTIFICATION

Le numéro de série et le modèle de la machine sont indiqués sur la plaque (29).

La plaque indique également l'année de fabrication et le code du produit.

Ces informations sont nécessaires lors de la commande des pièces de rechange de la machine. Utiliser l'espace suivant pour noter les données d'identification de la machine.

Modèle de la MACHINE
Code du PRODUIT
Numéro de série de la MACHINE

AUTRES MANUELS DE RÉFÉRENCE

Manuel du chargeur de batterie électronique qui constitue une partie intégrante de ce manuel

Les manuels suivants sont aussi disponibles :

- Manuel d'entretien (consultable auprès des Services après-vente Advance)
- Catalogue de pièces de rechange (livré avec la machine)

PIÈCES DE RECHANGE ET ENTRETIEN

Pour toute nécessité concernant l'emploi, l'entretien et la réparation, s'adresser au personnel qualifié ou directement aux Services après-vente Advance.

N'utiliser que des pièces de rechange et accessoires d'origine.

Pour l'assistance ou la commande de pièces de rechange et d'accessoires, contacter Advance en spécifiant toujours le modèle, le code du produit et le numéro de série.

MODIFICATIONS ET AMÉLIORATIONS

Advance vise à un constant perfectionnement de ses produits et se réserve le droit d'effectuer des modifications et des améliorations lorsqu'elle le considère nécessaire sans l'obligation de modifier les machines précédemment vendues.

Il est entendu que toute modification et / ou addition d'accessoires doit toujours être approuvée et réalisée par Advance.

CAPACITÉS OPÉRATIONNELLES

Cette autolaveuse est conçue et fabriquée pour le nettoyage (lavage et séchage) de sols lisses et solides, en milieux civils et industriels, en conditions de complète sécurité, par un opérateur qualifié.

L'autolaveuse n'est pas adaptée au lavage de tapis ou moquettes.

CONVENTIONS

Toutes les références à en avant, en arrière, avant, arrière, droite ou gauche indiquées dans ce manuel doivent être considérées comme référées à l'opérateur en position de conduite, les mains sur le guidon (2).

DÉBALLAGE / LIVRAISON

Pour déballer la machine, suivre attentivement les instructions sur l'emballage.

Lors de la livraison de la machine, contrôler attentivement que l'emballage et la machine n'ont pas été endommagés pendant le transport.

Si les dommages sont évidents, garder l'emballage de façon qu'il puisse être examiné par le transporteur qui l'a livré. Contacter immédiatement le transporteur pour remplir une demande de dommages-intérêts.

Contrôler que les composants suivants sont livrés avec la machine :

- Documentation technique :
 - Manuel des instructions d'utilisation de l'autolaveuse
 - Manuel du chargeur de batterie
 - Catalogue de pièces de rechange de l'autolaveuse
- N° 2 fusibles lamellaires



ATTENTION !

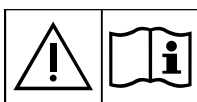
Les Produits vendus avec le présent manuel contiennent ou peuvent contenir des produits chimiques reconnus par certains gouvernements (comme l'État de Californie, par le biais de la proposition de loi d'avertissement réglementaire 65) comme provoquant des cancers, des anomalies congénitales et autres dangers pour la reproduction. Dans certains endroits (comme l'État de Californie), les acheteurs de ces Produits, qui les utilisent sur un lieu de travail ou dans un espace public, ont l'obligation d'apposer certains avis, avertissements ou informations concernant les produits chimiques qui sont ou peuvent être contenus dans les Produits dans ces lieux ou aux alentours de ces lieux de travail. Il incombe à l'acheteur de connaître les dispositions de, et de respecter, toutes les lois et réglementations ayant trait à l'utilisation de ces Produits au sein de tels environnements. Le Fabricant rejette toute responsabilité d'informer les acheteurs concernant des exigences spécifiques qui peuvent s'appliquer à l'utilisation des Produits dans de tels environnements.

SÉCURITÉ

On utilise les symboles suivants pour signaler les conditions de danger potentielles. Lire attentivement ces informations et prendre les précautions nécessaires pour protéger les personnes et les choses.

Pour éviter tout accident, la collaboration de l'opérateur est essentielle. Aucun programme de prévention des accidents du travail ne peut résulter efficace sans la totale collaboration de la personne directement responsable du fonctionnement de la machine. La plupart des accidents qui peuvent survenir dans une entreprise, pendant le travail ou les déplacements, sont dus à l'inobservance des plus simples règles de prudence. Un opérateur attentif et prudent est la meilleure garantie contre les accidents du travail et se révèle indispensable pour compléter n'importe quel programme de prévention.

SYMBOLES VISIBLES SUR LA MACHINE



ATTENTION !

Lire attentivement toutes les instructions avant toute opération dans la machine.



ATTENTION !

Ne pas laver la machine avec des jets d'eau directs ou sous pression.



ATTENTION !

Ne pas utiliser la machine sur des surfaces ayant une pente supérieure à la valeur indiquée sur la machine même.

SYMBOLES UTILISÉS DANS LE MANUEL



DANGER !

Indique une situation dangereuse exposant l'opérateur au risque de blessures graves, voire mortelles.



ATTENTION !

Indique une situation exposant les personnes au risque de blessures.



AVERTISSEMENT !

Indique un avertissement ou une remarque sur des fonctions clé ou utiles.

Prêter la plus grande attention aux segments de texte marqués par ce symbole.



REMARQUE

Indique une remarque sur des fonctions clé ou utiles.



CONSULTATION

Indique la nécessité de consulter le Manuel des instructions d'utilisation avant toute opération.

INSTRUCTIONS GÉNÉRALES

Les avertissements et précautions spécifiques suivants informent sur les potentiels dangers de dommages matériels ou blessures.



DANGER !

- Avant d'effectuer toute opération de nettoyage, d'entretien et de remplacement des composants de la machine, porter les interrupteurs généraux de la machine sur « 0 » et débrancher le connecteur des batteries.
- Cette machine doit être utilisée uniquement par le personnel adéquatement formé.
- Ne pas porter de bijoux quand on travaille près de composants électriques.
- Ne pas travailler sous la machine soulevée, sans des supports fixes de sécurité convenables.
- Ne pas opérer avec cette machine en présence de poudres, liquides ou vapeurs nuisibles, dangereux, inflammables et / ou explosifs : la machine ne doit pas être utilisée pour ramasser des matériaux dangereux.
- Si des batteries au plomb (WET) sont installées dans la machine, tenir les étincelles, les flammes et les matériaux fumants loin des batteries. Les batteries produisent des gaz potentiellement explosifs pendant l'utilisation ordinaire.
- Si des batteries au plomb (WET) sont installées dans la machine, le chargement des batteries produit un gaz hydrogène très explosif. Déposer le réservoir de l'eau de récupération pendant le cycle de rechargement des batteries et effectuer cette opération dans un endroit bien aéré et loin de flammes libres.



ATTENTION !

- Avant d'effectuer toute opération d'entretien / réparation, lire attentivement toutes les instructions qui concernent l'entretien / réparation.
- Avant d'utiliser le chargeur de batterie, s'assurer que la fréquence et la tension indiquées sur la plaque avec numéro de série coïncident avec la tension du réseau.
- Ne pas utiliser le câble du chargeur de batterie pour tirer ou transporter la machine et ne pas utiliser le câble comme poignée. Ne pas fermer de porte sur le câble du chargeur de batterie, ne pas tirer le câble sur des surfaces ou coins tranchants. Ne pas faire passer la machine sur le câble du chargeur de batterie.
- Tenir le câble du chargeur de batterie éloigné des surfaces chaudes.
- Ne pas charger les batteries de la machine si le câble du chargeur ou la fiche sont endommagés. Si la machine ne fonctionne pas correctement, si elle est endommagée, laissée à l'extérieur ou tombée dans l'eau, l'amener auprès d'un Service après-vente agréé.
- Pour réduire le risque d'incendie, chocs électriques ou blessures, ne pas laisser la machine sans surveillance lorsqu'elle est branchée au réseau électrique.
- Ne pas fumer pendant le chargement des batteries.

**ATTENTION !**

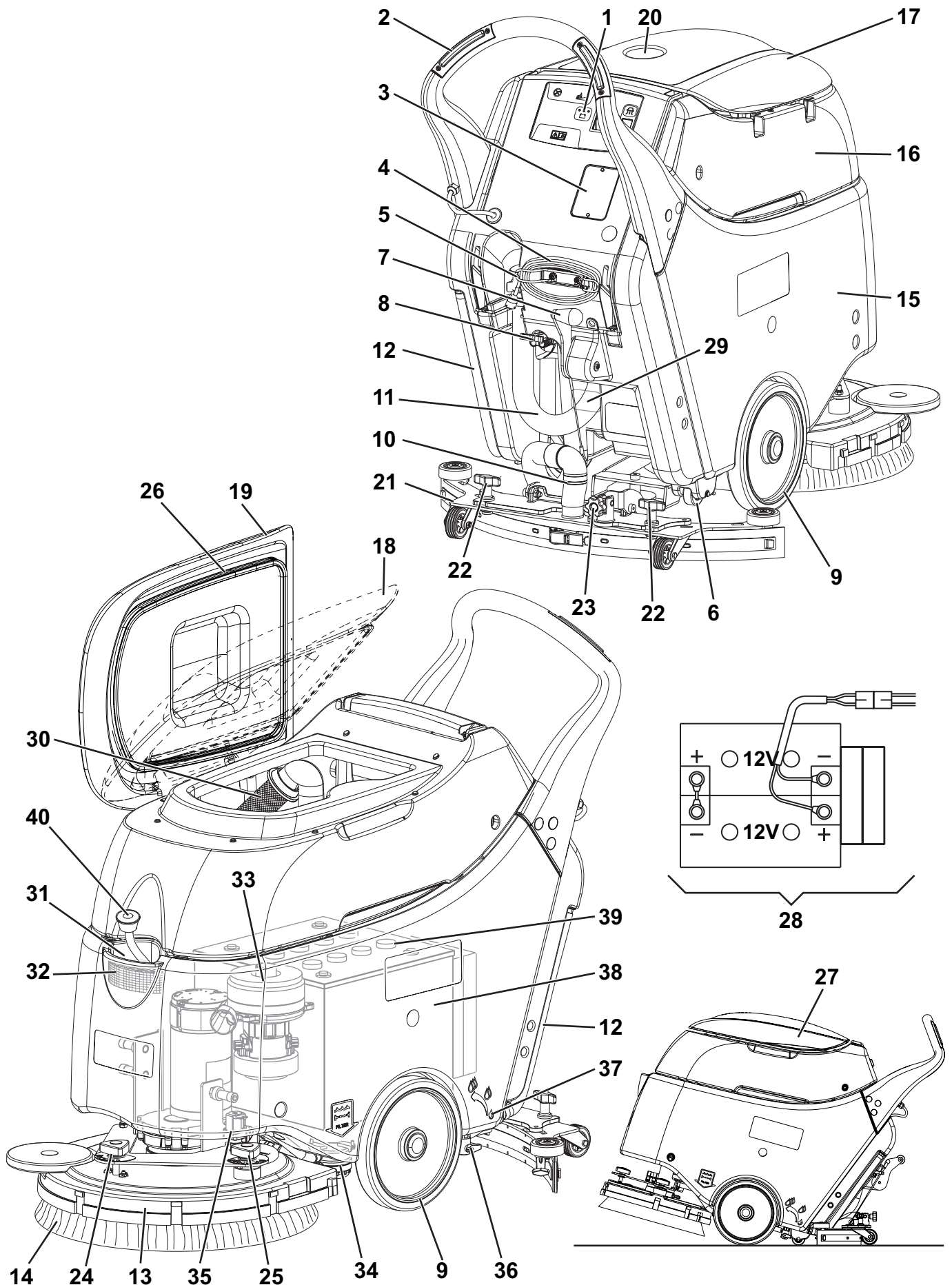
- *Protéger toujours la machine du soleil, de la pluie et d'autres intempéries, pendant le fonctionnement et en état d'arrêt. Garder la machine dans un endroit couvert et sec : elle a été conçue pour l'utilisation à sec, par conséquent elle ne doit pas être utilisée ou gardée dehors, dans des conditions d'humidité.*
- *Avant d'utiliser la machine, fermer tous les volets et/ou carters comme indiqué sur le Manuel des instructions d'utilisation.*
- *La machine ne doit être utilisée par des personnes (y compris les enfants) aux capacités physiques, mentales et sensorielles limitées ou dépourvues de l'expérience ou de la formation que sous la supervision ou avec les directives d'une personne responsable de leur sécurité.
Les enfants doivent être surveillés afin de s'assurer qu'ils ne jouent pas avec la machine.*
- *Faire attention lorsque la machine est utilisée à proximité des enfants.*
- *Ne pas utiliser à des fins autres que celles prévues dans ce manuel. Utiliser seulement les accessoires recommandés par Advance.*
- *Inspecter la machine avec soin avant de l'utiliser et vérifier toujours que tous les composants ont été installés avant de mettre la machine en service. L'utilisation de la machine qui n'est pas installée parfaitement peut provoquer des lésions aux personnes et endommager les équipements.*
- *Prendre les précautions convenables afin que les cheveux, les bijoux, les parties non adhérentes des vêtements ne soient pas capturés par les parties en mouvement de la machine.*
- *Ne pas utiliser la machine sur des surfaces ayant une pente supérieure à la valeur indiquée sur la machine même.*
- *Ne pas utiliser la machine sur des surfaces en pente.*
- *Ne pas utiliser la machine sur des surfaces ayant une pente supérieure à la valeur indiquée sur la machine même.*
- *Ne pas utiliser la machine dans des endroits très poussiéreux.*
- *Utiliser la machine seulement dans des endroits bien illuminés.*
- *Pendant l'utilisation de la machine, faire attention à sauvegarder l'intégrité des personnes et des choses.*
- *Ne pas heurter contre des étagères ou des échafaudages, en particulier en cas de danger de chute d'objets.*
- *Ne pas poser de conteneurs de liquides sur la machine, utiliser le porte-boissons spécial.*
- *La température de travail de la machine doit être comprise entre +32°F et 104°F (0°C et +40°C).*
- *La température de stockage de la machine doit être comprise entre +32 °F et 104 °F (0 °C et +40 °C).*
- *L'humidité doit être comprise entre 30% et 95%.*
- *Pendant l'utilisation de détergents pour le nettoyage des sols, suivre toujours les instructions et les avertissements indiqués sur les étiquettes des flacons.*
- *Avant la manipulation de détergents pour le nettoyage des sols, mettre les gants et les vêtements de protection adéquats.*
- *Ne pas utiliser la machine comme moyen de transport.*
- *Ne pas faire travailler la brosse lorsque la machine est arrêtée pour ne pas endommager le sol.*
- *En cas d'incendie, il est préférable d'utiliser un extincteur à poudre, plutôt qu'un extincteur à eau.*
- *Ne pas altérer pour aucune raison les protections prévues pour la machine, respecter scrupuleusement les instructions prévues pour l'entretien ordinaire.*
- *Ne pas laisser entrer d'objets dans les ouvertures. Ne pas utiliser la machine si les ouvertures sont obstruées. Garder les ouvertures de la machine libres de poussière, filasse, poils et tout autre corps étranger à même de réduire le flux d'air.*
- *Ne pas enlever ou altérer les plaques apposées sur la machine.*
- *La machine n'est pas approuvée pour l'utilisation sur la voie publique.*
- *Faire attention pendant les déplacements de la machine en conditions de températures inférieures au point de congélation. L'eau présente dans le réservoir de l'eau de récupération ou dans les tuyaux pourrait se congeler et endommager sérieusement la machine.*
- *Utiliser les brosses et les disques livrés avec la machine et ceux spécifiés dans le Manuel des instructions d'utilisation. L'utilisation de brosses ou disques différents peut compromettre la sécurité.*
- *S'assurer que les éventuelles anomalies de fonctionnement de la machine ne dépendent pas du manque d'entretien. En cas contraire, demander l'intervention du personnel autorisé ou d'un Service après-vente autorisé.*
- *En cas de remplacement de pièces, demander les pièces de rechange D'ORIGINE à un Concessionnaire ou Revendeur autorisé.*
- *Afin de garantir la sécurité et le bon fonctionnement de la machine, faire effectuer l'entretien programmé prévu au chapitre spécifique de ce manuel par du personnel autorisé ou par un Service après-vente autorisé.*
- *Ne pas laver la machine avec des jets d'eau directs ou sous pression ou avec des substances corrosives.*
- *Lors de la mise à la ferraille, la machine ne doit pas être abandonnée par la présence de matériaux toxiques (batteries, etc.), sujets à des lois qui prévoient l'élimination auprès de centres spéciaux (voir le chapitre Mise à la ferraille).*

DESCRIPTION DE LA MACHINE

STRUCTURE DE LA MACHINE

1. Tableau de bord
2. Guidon
3. Hublot de lecture données chargeur de batterie
4. Câble chargeur de batterie
5. Support câble chargeur de batterie
6. Roue arrière de stationnement
7. Levier de soulèvement / abaissement embouchure
8. Connecteur (rouge) de branchement batteries.
Ce connecteur a aussi la fonction D'URGENCE, pour l'arrêt immédiat de toutes les fonctions.
9. Roues avant sur essieu fixe
10. Tuyau d'aspiration embouchure
11. Tuyau de vidange eau de récupération
12. Tuyau de niveau et de vidange solution
13. Tête porte-brosse
14. Brosse / plateau support disque
15. Réservoir solution
16. Réservoir eau de récupération
17. Couvercle réservoir eau de récupération
18. Couvercle réservoir eau de récupération (demi-ouvert)
19. Couvercle réservoir eau de récupération (complètement ouvert)
20. Porte-objets
21. Embouchure
22. Boutons de fixation embouchure
23. Bouton de réglage équilibrage embouchure
24. Bouton de réglage avance rectilinéaire machine
25. Bouton de réglage vitesse d'avance machine
26. Joint d'étanchéité couvercle réservoir
27. Machine en position de stationnement
28. Schéma de branchement batteries
29. Plaque avec numéro de série / données techniques / marquage de conformité
30. Grille d'aspiration avec fermeture automatique à flotteur
31. Goulotte de remplissage solution
32. Filtre à éponge
33. Moteur système d'aspiration
34. Filtre de solution
35. Électrovanne
36. Levier de réglage flux solution
37. Position ECO du levier de réglage du flux de la solution (emploi « économique » de l'eau, pour une autonomie de lavage programmée de ~90 minutes)
38. Batteries
39. Bouchons batteries
40. Tuyau extractible pour remplissage à l'eau (optionnel)

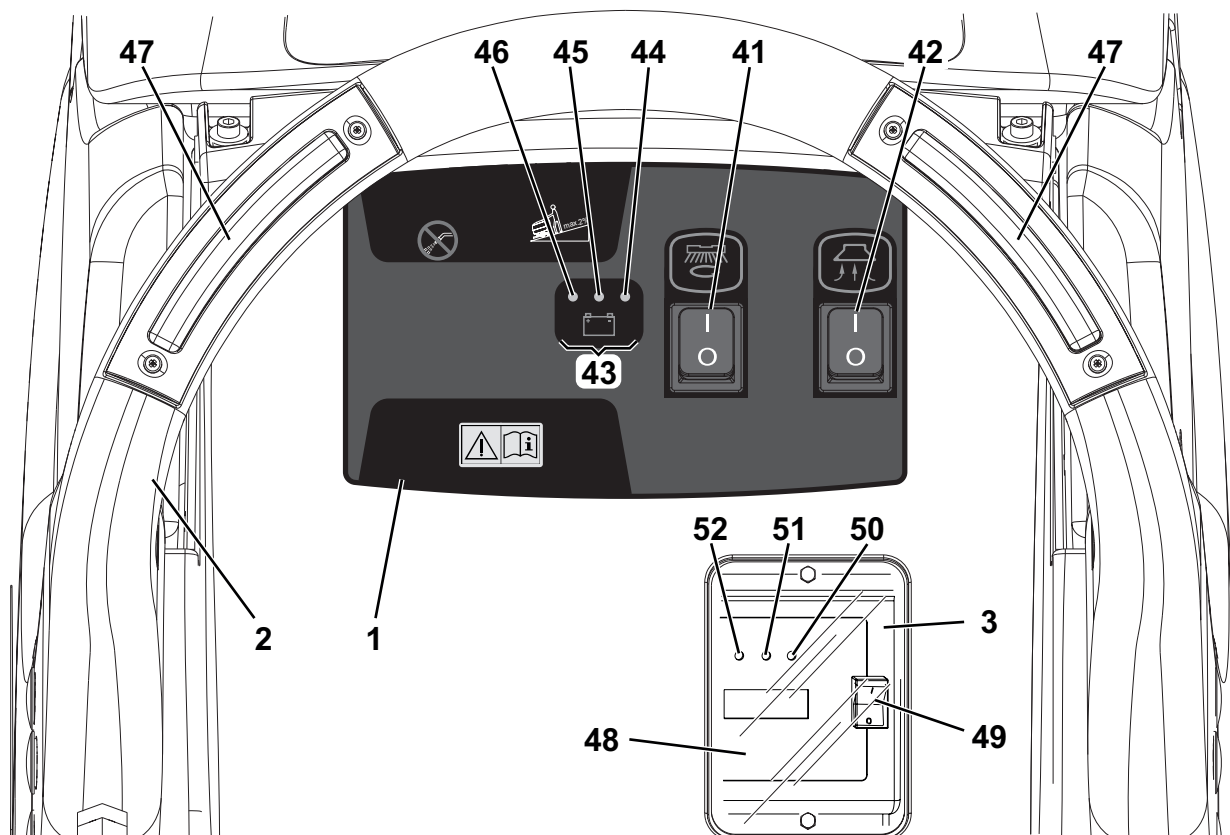
STRUCTURE DE LA MACHINE (suite)



P100658

TABLEAU DE BORD

- | | |
|--|---|
| 41. Interrupteur brosse/plateau support disque | 49. Sélecteur batteries au plomb (WET) ou au gel (GEL) |
| 42. Interrupteur système d'aspiration | 50. Témoin lumineux vert (chargeur de batterie en fonction et batteries chargées) |
| 43. Indicateur état de charge batteries | 51. Témoin lumineux jaune (chargeur de batterie en fonction et batteries demi-chargées) |
| 44. DEL vert - batteries chargées | 52. Témoin lumineux rouge (chargeur de batterie en fonction et chargement en cours) |
| 45. DEL jaune - batteries presque déchargées | |
| 46. DEL rouge - batteries déchargées | |
| 47. Interrupteur de validation brosse | |
| 48. Chargeur de batterie électronique | |



P100659

ACCESSOIRES / OPTIONS

Outre les composants présents dans le modèle standard, la machine peut être équipée des accessoires optionnels suivants, selon l'emploi spécifique de la machine :

- Batteries GEL
- Brosses de matériaux différents par rapport aux brosses standard
- Disques de matériaux différents par rapport aux disques standard
- Lamelles en caoutchouc de l'embouchure en polyuréthane
- Tuyau extractible pour le remplissage de la solution

Pour de plus amples informations relatives aux accessoires optionnels susmentionnés, s'adresser au revendeur agréé.

CARACTÉRISTIQUES TECHNIQUES

Modèle	SC450
Capacité réservoir solution	10,5 US gal (40 litres)
Capacité réservoir eau de récupération	11,9 US gal (45 litres)
Longueur machine	46,4 in (1.180 mm)
Largeur machine sans embouchure	22 in (559 mm)
Hauteur machine	41,7 in (1.060 mm)
Diamètre brosse	20 in (530 mm)
Largeur embouchure	30 in (760 mm)
Largeur de nettoyage	20 in (530 mm)
Diamètre roues avant sur essieu fixe	10 in (254 mm)
Pression spécifique au sol roues	710 psi (4,9 N/mm ²)
Pression brosse / disque sur le sol avec réservoir plein et embouchure baissé	66 lb (30 kg)
Flux de solution min / max	0,10 ÷ 0,42 gpm (0,4 ÷ 1,6 litres/min)
Débit de solution ECO	0,10 gpm (0,4 litres/min)
Pression acoustique à l'oreille de l'opérateur (ISO 11201, ISO 4871, EN 60335-2-72) (LpA)	68 dB(A) ± 3 dB(A)
Puissance acoustique émise par la machine (ISO 3744, ISO 4871, EN 60335-2-72) (LwA)	85 dB(A)
Niveau de vibrations au bras de l'opérateur (ISO 5349-1, EN 60335-2-72)	< 98,4 in/s ² (< 2,5 m/s ²)
Pente maximum d'usage	2 %
Degré de protection IP	X4
Classe de protection (électrique)	III
Puissance moteur système d'aspiration	0,44 hp (330 W)
Dépression système d'aspiration	0,0107 MPa (1 100 mmH ₂ O)
Puissance moteur brosse	0,64 hp (480 W)
Vitesse de rotation brosse	154 tr/mn
Puissance totale absorbée	34 A (0,8 kW)
Dimensions logement batteries (largeur x longueur x hauteur)	13,7 x 13,7 x 11,8 in (350 x 350 x 300 mm)
Tension batterie	24 V
Batteries standard (2)	Sèches : 12 V 70 Ah C5
Chargeur de batterie	100-240 V C.A.
Autonomie batterie standard	2 heures
Poids sans batteries et avec réservoirs vides	167 lb (76 kg)
Poids maximum en ordre de marche (PTC)	419 lb (190 kg)
Poids d'expédition	227 lb (103 kg)

Composition du matériel de la machine et recyclage

Type	% recyclable	SC450
Aluminium	100 %	8 %
Moteurs électriques - divers	29 %	18 %
Matériaux en fer	100 %	19 %
Câbles	80 %	1 %
Liquides	100 %	0 %
Plastique - non recyclable	0 %	1 %
Plastique - recyclable	100 %	9 %
Polyéthylène	92 %	42 %
Caoutchouc	20 %	2 %

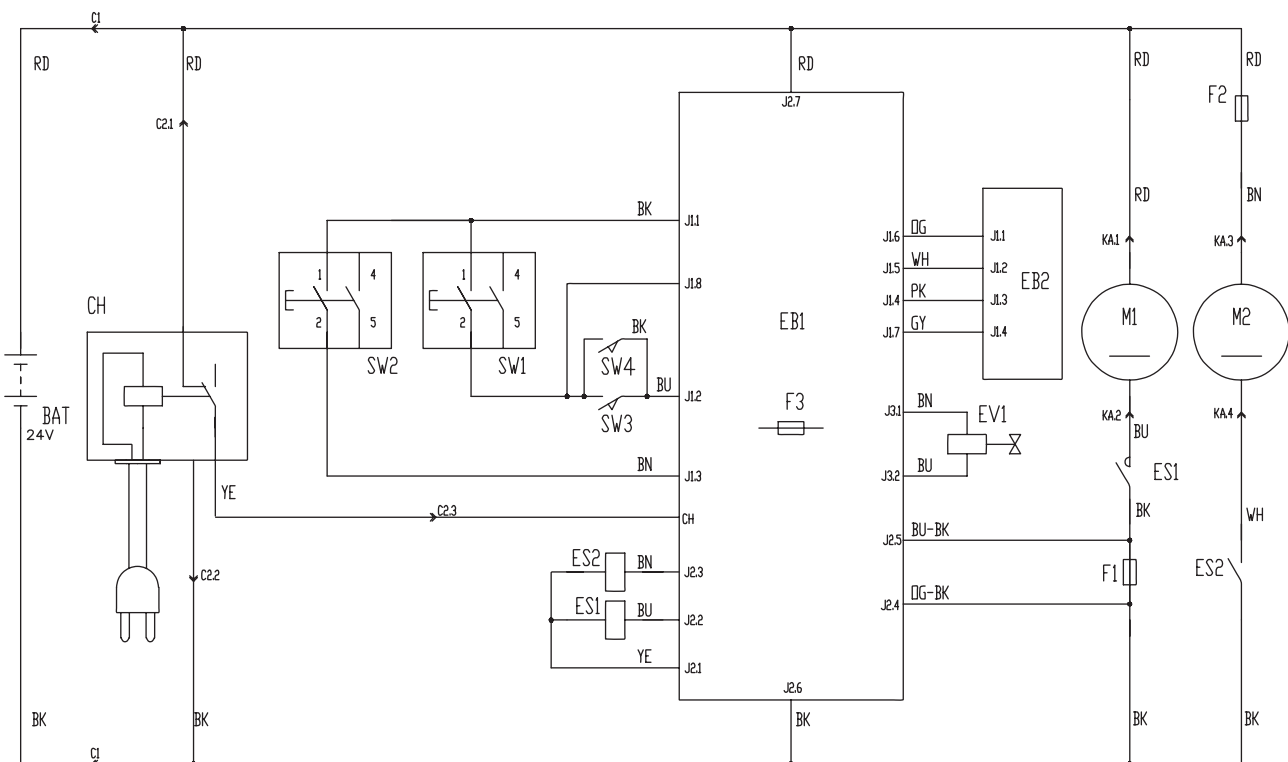
SCHÉMA ÉLECTRIQUE

Légende

BAT	Batteries 24 V
C1	Connecteur batteries
C2	Connecteur chargeur de batterie
CH	Chargeur de batterie
EB1	Carte électronique de fonctions
EB2	DEL carte électronique
ES1	Télérupteur moteur brosse / plateau support disque
ES2	Relais moteur système d'aspiration
EV1	Électrovanne solution
F1	Fusible moteur brosse (40 A)
F2	Fusible moteur d'aspiration (30 A)
F3	Fusible électrovanne et carte électronique (5 A)
M1	Moteur brosse / plateau support disque
M2	Moteur système d'aspiration
SW1	Interrupteur brosse/plateau support disque
SW2	Interrupteur système d'aspiration
SW3	Interrupteur de validation brosse
SW4	Interrupteur de validation brosse

Codes des couleurs

BK	Noir
BU	Bleu
BN	Marron
GN	Vert
GY	Gris
OG	Orange
PK	Rose
RD	Rouge
VT	Violet
WH	Blanc
YE	Jaune



P100660

UTILISATION

**ATTENTION !**

Des plaques adhésives appliquées sur certains points de la machine indiquent :

- **DANGER**
- **ATTENTION**
- **AVERTISSEMENT**
- **CONSULTATION**

Lors de la lecture de ce manuel, l'opérateur doit bien comprendre le sens des symboles illustrés sur les plaques (voir le paragraphe Symboles visibles sur la machine).

Ne pas couvrir les plaques et les remplacer immédiatement en cas d'endommagement.

CONTRÔLE / PRÉPARATION DES BATTERIES SUR UNE MACHINE NEUVE

**ATTENTION !**

Les composants électriques de la machine peuvent être sérieusement endommagés si les batteries ne sont pas installées et branchées correctement.

Les batteries doivent être installées par le personnel qualifié. Configurer le chargeur de batterie selon le type de batteries utilisé (WET ou GEL / AGM).

Contrôler les batteries avant l'installation pour vérifier qu'elles ne sont pas endommagées.

Débrancher le connecteur des batteries et la fiche du chargeur de batterie.

Déplacer les batteries avec attention.

Installer les protections des bornes des batteries équipées avec la machine.

La machine requiert deux batteries de 12 V, branchées selon le schéma (28).

La machine peut être livrée selon un des modèles suivants :

Batteries WET ou GEL / AGM installées sur la machine et prêtes à l'utilisation

1. Démarrer la machine en appuyant sur les interrupteurs de la brosse / plateau support disque (41) et du système d'aspiration (42). Si le DEL vert (44) s'allume, les batteries sont prêtes à l'utilisation.
2. Si le DEL jaune (45) ou rouge (46) s'allume, il est nécessaire de charger les batteries (voir procédure au chapitre Entretien).

Batteries non équipées

1. Acheter des batteries adéquates [voir paragraphe Caractéristiques techniques et le schéma (28)]. Pour le choix et l'installation, s'adresser à des revendeurs de batteries qualifiés.
2. Configurer la machine et le chargeur de batterie (si équipé) selon le type de batteries installé, comme indiqué au paragraphe suivant.

INSTALLATION DES BATTERIES ET CONFIGURATION DU TYPE DE BATTERIES (WET OU GEL/AGM)

Selon le type de batteries installé (WET ou GEL / AGM), configurer la carte électronique de la machine et du chargeur de batterie (si équipé), en procédant comme suit :

Configuration de la machine

1. S'assurer que le connecteur des batteries (8) est débranché.
La configuration en usine de la machine est pour batteries au GEL. Si cette configuration correspond au type de batteries acheté, passer à l'étape 7. Dans le cas contraire, effectuer aussi les étapes 2, 3 et 4.
2. Déplacer le tuyau de vidange de l'eau de récupération (11).
3. Si équipé, déposer le câble du chargeur de batterie du logement (5).
4. Déposer les vis (A, Fig. 1) et déplacer le tableau (B) avec soin en dégageant la bague en caoutchouc (C) de son logement dans le tableau (B).
5. Porter le microinterrupteur (D) dans la position WET.



ATTENTION !

Ne pas bouger / déplacer l'interrupteur adjacent (E).

6. Exécuter les étapes 3, 4 et 5 dans l'ordre inverse.

Configuration du chargeur de batterie (pour machines avec chargeur de batterie à bord)

7. Enlever les vis (A, Fig. 2) de l'hublot de lecture des données du chargeur de batterie.
8. Enlever l'hublot (B).
9. Positionner le sélecteur (C) sur WET pour batteries au plomb ou sur GEL pour batteries au GEL / AGM.
10. Installer l'hublot (B) et serrer les vis (A).

Installation des batteries

11. Enlever le réservoir de l'eau de récupération (16), en procédant comme indiqué dans la procédure au paragraphe spécifique.
12. Installer les batteries dans la machine selon le schéma (28).



AVERTISSEMENT !

Pour un correct équilibrage de la machine, installer les batteries dans le logement avec les cales sur le côté arrière.

13. Installer le réservoir de l'eau de récupération (16).

Chargement des batteries

14. Charger les batteries (voir la procédure au chapitre Entretien).

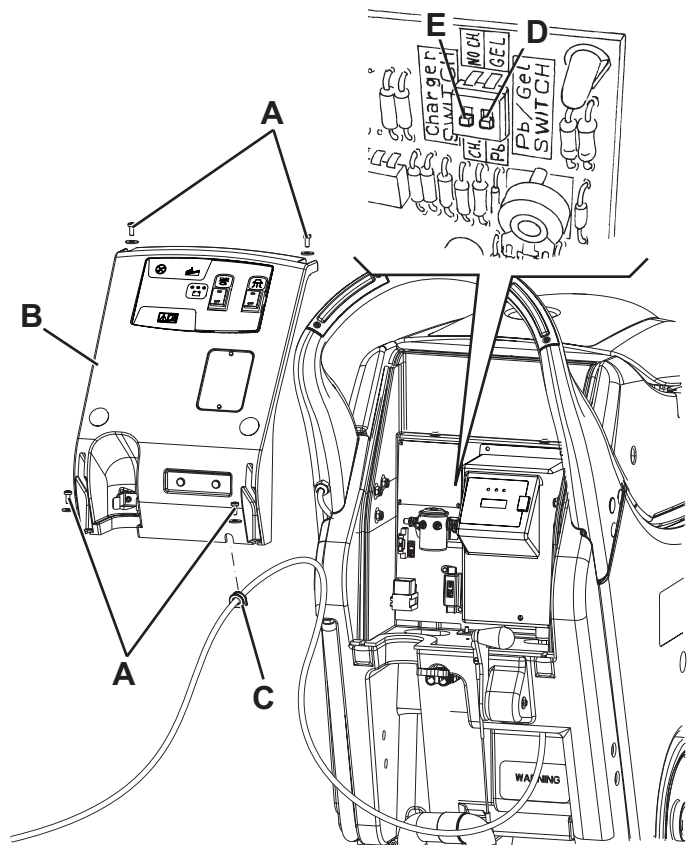


Figure 1

P100661

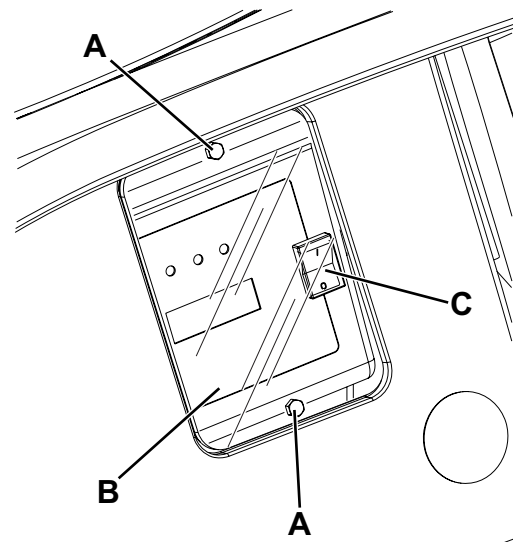


Figure 2

P100662

AVANT LA MISE EN MARCHÉ DE LA MACHINE

Installation de la brosse ou du plateau support disque



REMARQUE

Selon le type de sol à nettoyer, il est possible d'installer la brosse (A, Fig. 3) ou le plateau support disque (B et C).

1. Contrôler que les interrupteurs (41 et 42) sont en position « 0 ».
2. Soulever la tête porte-brosse / plateau support disque (13) en faisant levier sur le guidon (2).
3. Positionner la brosse (A, Fig. 3) ou le plateau support disque (B avec C) sous la tête.
4. Baisser la tête (13) au moyen du guidon (2).
5. Appuyer sur le bouton-poussoir (41) pour démarrer la machine.
6. Appuyer sur le boutons-poussoirs (47) pendant quelques secondes pour obtenir l'accrochage de la brosse / plateau support disque au moyeu de la tête (13). Si besoin est, répéter la procédure jusqu'à l'accrochage de la brosse / plateau support disque.

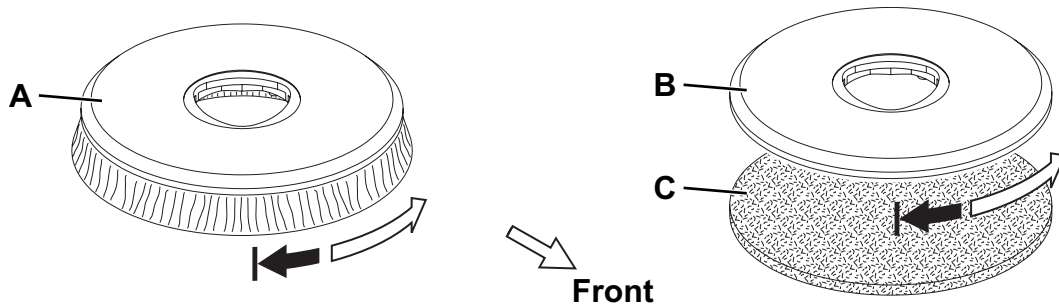


Figure 3

P100663

Suggestions pour le choix et l'application des brosses

Modèles	MIDLITE GRIT 180	MIDGRIT 240	PROLENE	PROLITE	UNION MIX
Nettoyage général :					
Béton					
Pavage terrasse					
Carreaux de céramique / de carrière					
Marbre					
Carreaux de vinyle					
Carreaux de caoutchouc					
Polissage :					
Carreaux de caoutchouc					
Marbre					
Carreaux de vinyle					

Installation de l'embouchure

7. Installer l'embouchure (21) et la fixer avec les boutons (22), puis connecter le tuyau d'aspiration (10) à l'embouchure.
8. Au moyen du bouton (23) régler l'embouchure de façon que la lamelle en caoutchouc arrière touche le sol sur toute sa longueur et que la lamelle en caoutchouc avant se trouve légèrement détachée du sol.

Remplissage du réservoir de solution**AVERTISSEMENT !**

Utiliser exclusivement des détergents liquides peu mousseux et non inflammables, adéquats pour les machines utilisées.

**ATTENTION !**

Pendant l'utilisation de détergents pour le nettoyage des sols, suivre toujours les instructions et les avertissements indiqués sur les étiquettes des flacons.

Avant la manipulation de détergents pour le nettoyage des sols, mettre les gants et les vêtements de protection adéquats.

9. Au moyen de la goulotte (31) ou du tuyau extractible (40, en option), remplir le réservoir (15) avec une solution adéquate au travail à effectuer. Ne jamais remplir complètement le réservoir de solution, mais laisser toujours quelques pouces du bord. Suivre toujours les instructions de dilution sur l'étiquette du conteneur du produit chimique utilisé pour la solution. La température de la solution ne doit jamais être supérieure à 104 °F (40 °C).

MISE EN MARCHÉ ET ARRÊT DE LA MACHINE**Mise en marche de la machine**

1. Préparer la machine comme indiqué au paragraphe précédent.
2. Se porter sur le lieu de travail en poussant la machine les mains sur le guidon (2).
3. Baisser l'embouchure (21) au moyen du levier (7).
4. Positionner le levier de réglage du flux de solution (36) dans une des positions suivantes, selon le type de nettoyage à effectuer :
 - Système ECO : en positionnant le levier (36) sur ECO (37), la machine travaille dans une particulière condition d'emploi programmé de l'eau ; le flux étant prédéterminé et constant, la machine peut travailler avec une autonomie de ~ 90 minutes [0,10 gpm (0,4 litres/min) en moyenne].
 - Système variable : en tournant le levier à gauche (flux variable), il est possible d'augmenter le débit jusqu'à un maximum de 0,42 gpm (1,6 litres/min) (avec réservoir plein) avec une autonomie de ~ 40 minutes.
5. Appuyer sur l'interrupteur de rotation brosse / plateau support disque (41) et sur l'interrupteur d'activation système d'aspiration (42).
6. Appuyer sur le boutons-poussoirs (47) pour le fonctionnement de la brosse / plateau support disque.
7. Commencer le travail de nettoyage, en manœuvrant la machine au moyen du guidon (2).

**REMARQUE**

Si le DEL vert (44) s'allume, la machine est prête à l'utilisation. Si le DEL jaune (45) ou rouge (46) s'allume, il est nécessaire de charger les batteries (voir procédure au chapitre Entretien).

Arrêt de la machine

8. Arrêter la machine et la brosse / plateau support disque en relâchant le boutons-poussoirs (47).
9. Arrêter la brosse / plateau support disque et le système d'aspiration en appuyant sur les interrupteurs (41) et (42).
10. Soulever l'embouchure (21) au moyen du levier (7).
11. Saisir le guidon (2) et le baisser légèrement jusqu'à ce que la roue arrière (6) touche le sol en position de stationnement (27).

MACHINE AU TRAVAIL (LAVAGE / SÉCHAGE)

1. Démarrer la machine comme prévu au paragraphe précédent.
2. Tout en gardant les deux mains sur le guidon (2), appuyer sur le boutons-poussoirs (47), déplacer la machine et commencer le travail de lavage/séchage du sol.
3. Si besoin est, arrêter la machine et régler encore le bouton de réglage (23) de l'équilibrage de l'embouchure.
4. Si besoin est, régler la quantité de solution qui arrive à la brosse au moyen du robinet (36).

**AVERTISSEMENT !**

Afin d'éviter d'endommager les sols à nettoyer, ne pas tenir en rotation la brosse / plateau support disque lorsque la machine est arrêtée.

**AVERTISSEMENT !**

Avant de soulever la brosse / disque, arrêter sa rotation en relâchant le boutons-poussoirs (47).

**REMARQUE**

Pour un lavage / séchage correct du sol près du mur, Advance recommande d'approcher le côté droit de la machine, comme illustré dans la figure 4.

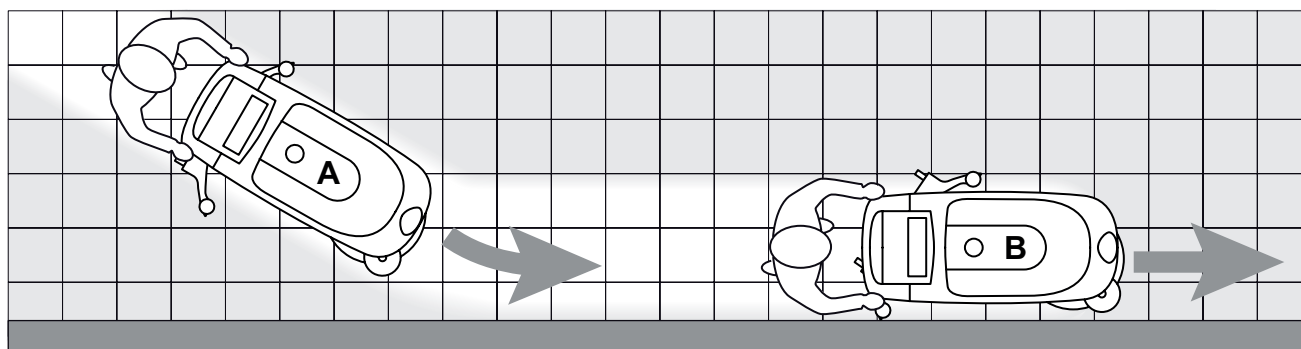


Figure 4

P100664

**AVERTISSEMENT !**

En cas de surcharge des moteurs des brosses / plateaux support disque, dû à corps étrangers qui empêchent leur mouvement, ou à sols difficiles / brosses dures, un système de sécurité arrête les brosses / plateaux support disque après un minute environ de surcharge continue.

La condition de surcharge est indiquée par le clignotement simultané des trois DELs (44, 45, 46).

Pour reprendre le travail après l'arrêt de la brosse / plateau support disque à cause de la surcharge, il est nécessaire d'arrêter la machine, en portant les interrupteurs de brosse / plateau support disque et du système d'aspiration (41 et 42) en position « 0 ». Démarrer à nouveau la machine en positionnant les interrupteurs de brosse / plateau support disque et du système d'aspiration (41 et 42) sur « I ».

Déchargement des batteries pendant le travail

5. Tant que le DEL vert (44) reste allumé, les batteries permettent le fonctionnement normal de la machine. Lorsque le DEL vert (44) s'éteint et les DELS jaune (45) et rouge (46) s'allument en séquence, il est nécessaire de procéder au chargement de la batterie, car l'autonomie résiduelle de fonctionnement de la machine est minimum.

**AVERTISSEMENT !**

Ne pas insister à utiliser la machine avec batteries déchargées, pour ne pas endommager les batteries en réduisant leur vie utile.

Réglage de la vitesse d'avance de la machine

6. La vitesse d'avance de la machine varie selon le type de sol à nettoyer et le choix d'utiliser la brosse ou le disque. Si besoin est, arrêter la machine et tourner le bouton de réglage de la vitesse d'avance de la machine (25) en procédant comme suit :
 - tourner dans le sens contraire aux aiguilles d'une montre pour augmenter la vitesse d'avance ;
 - tourner dans le sens des aiguilles d'une montre pour réduire la vitesse d'avance.

Avance rectilinéaire de la machine

7. Si l'on relève que la machine a tendance à dévier de la direction d'avance rectilinéaire, il est possible d'agir sur le bouton (24) en le tournant dans le sens des aiguilles d'une montre ou dans le sens contraire pour corriger la déviation et obtenir un mouvement essentiellement neutre.

TRANSPORT / STATIONNEMENT DE LA MACHINE

Pour le transport / stationnement de la machine, procéder comme suit.

1. Positionner les interrupteurs de brosse / plateau support disque et du système d'aspiration (41 et 42) sur « 0 ».
2. Soulever l'embouchure au moyen du levier (7).
3. Saisir le guidon (2) et le baisser légèrement jusqu'à soulever la brosse du sol. Tout en gardant la machine dans cette condition, la pousser dans le lieu de stationnement. Baisser légèrement la machine jusqu'à ce que la roue arrière (6) touche le sol en position de stationnement (27).
4. Le travail effectué, enlever la brosse / plateau support disque (voir la procédure dans le paragraphe spécifique au chapitre Entretien).

VIDANGE DES RÉSERVOIRS

Un système de fermeture automatique à flotteur (30) bloque le système d'aspiration lorsque le réservoir de l'eau de récupération (16) est plein.

Le blocage du système d'aspiration peut être détecté grâce à l'augmentation soudaine de la fréquence du bruit du moteur d'aspiration ; en outre, le système d'aspiration ne sèche pas le sol.



AVERTISSEMENT !

Si le système d'aspiration s'arrête pour causes accidentelles (par exemple pour l'intervention prématurée du flotteur pendant un déplacement soudain de la machine), pour le démarrer, arrêter le système en appuyant sur l'interrupteur (42), puis ouvrir le couvercle (17) et vérifier que le flotteur dans la grille (30) est au niveau de l'eau ; enfin, fermer le couvercle (17) et appuyer sur l'interrupteur (42).

Lorsque le réservoir de l'eau de récupération (16) est plein, le vider en procédant comme suit.

Vidange du réservoir de l'eau de récupération

1. Positionner les interrupteurs de brosse / plateau support disque et du système d'aspiration (41 et 42) sur « 0 ».
2. Soulever l'embouchure au moyen du levier (7).
3. Pousser la machine dans la zone destinée à l'écoulement.
4. Saisir le guidon (2) et le baisser légèrement jusqu'à ce que la roue arrière (6) touche le sol.
5. Vider le réservoir de l'eau de récupération au moyen du tuyau de vidange (11). Le travail effectué, rincer le réservoir à l'eau propre.

Vidange du réservoir de la solution

6. Exécuter les étapes de 1 à 4.
7. Vider le réservoir de solution au moyen du tuyau flexible (12). Le travail effectué, rincer le réservoir à l'eau propre.

APRÈS L'UTILISATION DE LA MACHINE

Le travail effectué, avant de laisser la machine :

1. Positionner les interrupteurs de brosse / plateau support disque et du système d'aspiration (41 et 42) sur « 0 ».
2. Déposer la brosse / plateau support disque comme indiqué au paragraphe spécifique au chapitre Entretien.
3. Vider les réservoirs (15 et 16) comme indiqué au paragraphe spécifique.
4. Effectuer les opérations d'entretien prévues après l'utilisation de la machine (voir le chapitre Entretien).
5. Garder la machine dans un endroit sec et propre, avec la brosse / plateau support disque et l'embouchure déposés ou soulevés.

DÉPOSE DU RÉSERVOIR DE L'EAU DE RÉCUPÉRATION

Pour pouvoir contrôler ou charger les batteries au plomb (WET), ou pour d'autres opérations, il peut être nécessaire de déposer le réservoir de l'eau de récupération (16) ; procéder comme suit.

1. Vider le réservoir de l'eau de récupération (16), en procédant comme indiqué au paragraphe spécifique.
2. Porter la machine sur un sol plat.
3. Contrôler que les interrupteurs (41 et 42) sont en position « 0 ».
4. Décrocher le tuyau de vidange de l'eau de récupération (11) de son support.
5. Saisir le réservoir de l'eau de récupération (A, Fig. 5) dans la zone (B) et le soulever légèrement.
6. Déconnecter le tuyau d'aspiration (C) du réservoir.
7. Déconnecter le tuyau de connexion (D) de la grille d'aspiration du réservoir.
8. Extraire le tuyau de vidange (E) de la fente inférieure, puis déposer le réservoir (A).

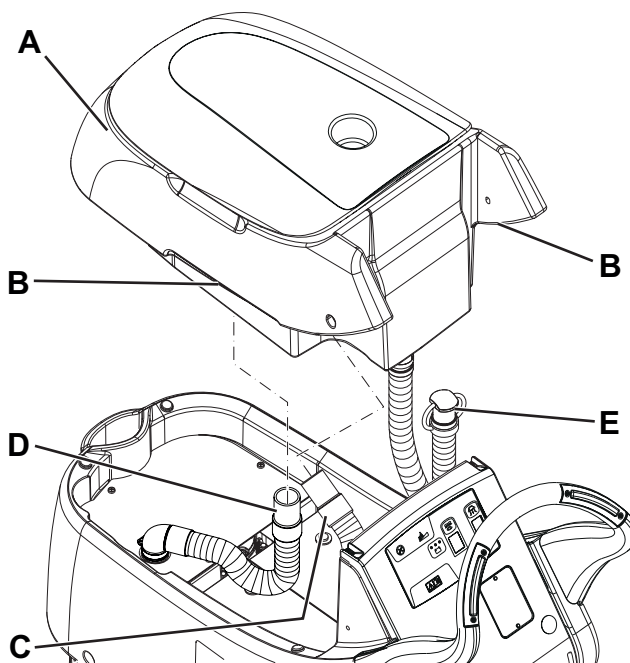


Figure 5

9. Pour le montage du réservoir exécuter les points de 4 à 8 dans l'ordre inverse de la dépose.

P100665

INACTIVITÉ PROLONGÉE DE LA MACHINE

Si on prévoit de ne pas utiliser la machine pendant plus de 30 jours, il est convenable d'effectuer les opérations suivantes :

1. Effectuer les opérations prévues au paragraphe Après l'utilisation de la machine.
2. Débrancher le connecteur (8) des batteries.

ENTRETIEN

La durée de vie de la machine et sa sécurité de fonctionnement sont garanties par un entretien soigné et régulier. Veuillez trouver ci-dessous le plan récapitulatif d'entretien programmé. Les périodicités indiquées peuvent subir des variations en fonction de conditions de travail particulières, à définir par le responsable de l'entretien.



ATTENTION !

Les opérations d'entretien doivent être exécutées avec la machine à l'arrêt, les batteries et le câble du chargeur de batterie débranchés.

En outre, lire attentivement toutes les instructions du paragraphe Sécurité.

Toutes les opérations d'entretien programmé ou extraordinaire doivent être effectuées par du personnel qualifié ou par un Service après-vente autorisé.

Ce manuel ne contient que les opérations d'entretien les plus simples et les plus récurrentes.

Pour les procédures des autres opérations d'entretien prévues par le plan d'entretien programmé, se référer au manuel d'entretien consultable auprès des Services après-vente.

PLAN D'ENTRETIEN PROGRAMMÉ

Procédure	Quotidienne, après l'utilisation de la machine	Hebdomadaire	Semestrielle	Annuelle
Chargement des batteries				
Nettoyage de l'embouchure				
Nettoyage de la brosse / disque				
Nettoyage des réservoirs, de la grille d'aspiration avec flotteur et contrôle du joint d'étanchéité du couvercle				
Contrôle et remplacement des lamelles en caoutchouc de l'embouchure				
Nettoyage du filtre de la solution				
Contrôle du niveau du liquide des batteries WET				
Contrôle ou remplacement des charbons du moteur de la brosse / plateau support disque				(1)
Contrôle ou remplacement des charbons du moteur du système d'aspiration				(1)

(1) Opération d'entretien du ressort d'un Service après vente agréé Advance.

CHARGEMENT DES BATTERIES**REMARQUE**

Charger les batteries lorsque le DEL jaune (45) ou rouge (46) s'allume ou à la fin de chaque cycle de nettoyage.

**AVERTISSEMENT !**

Garder les batteries chargées afin de prolonger leur vie utile.

**AVERTISSEMENT !**

Lorsque les batteries sont déchargées, les recharger dès que possible, afin de ne pas réduire leur durée de vie utile. Contrôler la charge des batteries au moins une fois par semaine.

**AVERTISSEMENT !**

Pour le chargement des batteries avec un chargeur de batterie externe, utiliser un chargeur de batterie adéquat au type de batteries installées.

**ATTENTION !**

Le chargement des batteries WET produit un gaz hydrogène très explosif. Charger les batteries dans un endroit bien aéré et loin de flammes libres. Ne pas fumer pendant le chargement des batteries. Ne pas reposer le réservoir de l'eau de récupération pendant le cycle de rechargement des batteries.

**ATTENTION !**

Pendant le rechargement des batteries WET, faire attention à d'éventuelles pertes de liquide des batteries. Ce liquide est corrosif. En cas de contact avec les yeux ou la peau, rincer abondamment à l'eau et consulter un médecin.

1. Porter la machine dans la zone destinée au chargement des batteries.
2. Appuyer sur le interrupteur (41 et 42) pour arrêter la machine.
3. Exclusivement pour batteries WET :
 - Déposer le réservoir d'eau de récupération comme indiqué au chapitre Utilisation. Contrôler le niveau de l'électrolyte dans les batteries ; si besoin est, faire l'appoint au moyen des bouchons.
 - Laisser tous les bouchons des batteries ouverts pour le chargement successif.
 - Si besoin est, nettoyer la surface supérieure des batteries.
4. Brancher le câble (4) du chargeur de batterie au réseau électrique [la tension et la fréquence de réseau doivent coïncider avec les valeurs correspondantes du chargeur de batterie, indiquées sur la plaque avec numéro de série (29) de la machine]. Lorsque le chargeur de batterie est branché au réseau électrique, toutes les fonctions de la machine sont automatiquement exclues. Le témoin lumineux (52) allumé fixe sur le tableau de bord du chargeur de batterie indique que le chargeur de batterie est en train de charger les batteries.
5. Lorsque le témoin lumineux vert (50) s'allume, le cycle de chargement des batteries est terminé.
6. Le cycle de chargement terminé, débrancher le câble (4) du chargeur de batterie du réseau électrique et l'enrouler autour du logement correspondant (5).
7. (Exclusivement pour batteries WET) : Reposer le réservoir de l'eau de récupération.

**REMARQUE**

Pour de plus amples informations relatives au fonctionnement du chargeur de batterie (48), se référer au manuel spécifique.

NETTOYAGE DE L'EMBOUCHURE



REMARQUE

Pour un bon séchage, l'embouchure doit être propre et les lamelles en caoutchouc doivent être en bon état.



AVERTISSEMENT !

Lors du nettoyage de l'embouchure, il est conseillé de porter des gants de protection à cause de la présence éventuelle de débris tranchants.

1. Porter la machine sur un sol plat.
2. Contrôler que les interrupteurs (41 et 42) sont en position « 0 ».
3. Baisser l'embouchure (21) au moyen du levier (7).
4. Desserrer les boutons (22) et déposer l'embouchure (21).
5. Déconnecter le tuyau d'aspiration (10) de l'embouchure.
6. Laver et nettoyer l'embouchure (Fig. 6). Nettoyer en particulier les compartiments de convoyage (A) et l'orifice d'aspiration (B) de la saleté et des déchets. Contrôler que la lamelle en caoutchouc avant (C) et la lamelle en caoutchouc arrière (D) sont intactes et qu'elles ne présentent pas de coupures ou déchirures ; dans le cas contraire, les remplacer (voir la procédure au paragraphe suivant).
7. Pour la repose, procéder dans l'ordre inverse de la dépose.

CONTRÔLE ET REMPLACEMENT DES LAMELLES EN CAOUTCHOUC DE L'EMBOUCHURE

1. Nettoyer l'embouchure (Fig. 6) comme décrit au paragraphe précédent.
 2. Contrôler que le bord (E) de la lamelle en caoutchouc avant (C) et le bord (F) de la lamelle en caoutchouc arrière (D) se posent simultanément sur le marbre de contrôle, et en toute leur longueur ; dans le cas contraire, régler leur hauteur en procédant selon les instructions suivantes :
 - Déposer le tirant (G), décrocher les dispositifs de retenue (M) et régler la lamelle en caoutchouc arrière (D), puis accrocher les dispositifs de retenue et installer le tirant.
 - Desserrer les boutons (I) et régler la lamelle en caoutchouc avant (C), puis serrer les boutons.
 3. Contrôler que la lamelle en caoutchouc avant (C) et la lamelle en caoutchouc arrière (D) sont intactes et qu'elles ne présentent pas de coupures ou déchirures ; en cas contraire, les remplacer en procédant comme suit. Contrôler que l'arête (J) de la lamelle en caoutchouc arrière n'est pas usée ; en cas contraire, tourner la lamelle en caoutchouc, en remplaçant l'arête usée avec l'une des trois arêtes intactes. Si toutes les arêtes sont usées, remplacer la lamelle en caoutchouc en procédant comme suit :
 - Déposer le tirant (G), décrocher les dispositifs de retenue (M) et enlever la bande de retenue (K), puis remplacer / tourner la lamelle en caoutchouc arrière (D).
 - Pour la repose, procéder dans l'ordre inverse de la dépose.
 - Dévisser les boutons (I) et enlever la bande de retenue (L), puis remplacer la lamelle en caoutchouc avant (C).
 - Pour la repose, procéder dans l'ordre inverse de la dépose.
- Après le remplacement (ou renversement) des lamelles en caoutchouc, régler leur hauteur comme décrit à l'étape précédente.
4. Connecter le tuyau d'aspiration (10) à l'embouchure.
 5. Reposer l'embouchure (21) et serrer les boutons (22).
 6. Si besoin est, régler le bouton de réglage (23) de l'équilibrage de l'embouchure.

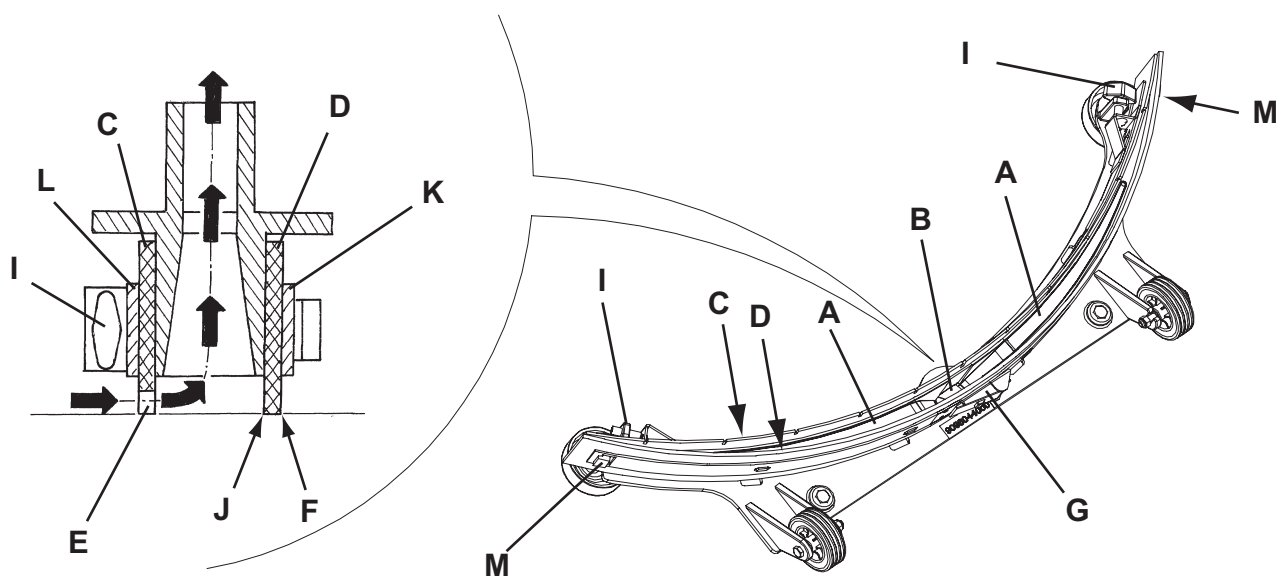


Figure 6

P100666

NETTOYAGE DE LA BROSSE



AVERTISSEMENT !

Lors du nettoyage de la brosse / disque, il est conseillé de porter des gants de protection à cause de la présence éventuelle de débris tranchants.

1. Porter la machine sur un sol plat.
2. Contrôler que les interrupteurs (41 et 42) sont en position « 0 ».
3. Enlever la brosse / plateau support disque comme suit :
 - Avec la tête (13) soulevée, saisir la brosse / plateau support disque (A, Fig. 7) et la tourner dans le sens contraire au sens de rotation (B), puis dans le sens de rotation (C) pour la décrocher.
4. Nettoyer et laver la brosse/disque avec de l'eau et du détergent.
5. Contrôler que les poils de la brosse sont intacts et non excessivement usés ; dans le cas contraire, remplacer la brosse.
6. Contrôler que le disque n'est pas excessivement usé ; en cas contraire, le remplacer.

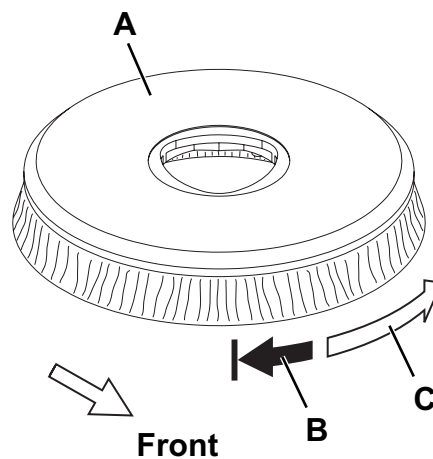


Figure 7

P100667

NETTOYAGE DES RÉSERVOIRS ET DE LA GRILLE D'ASPIRATION

1. Pousser la machine dans la zone destinée à l'écoulement.
2. Contrôler que les interrupteurs (41 e 42) sont en position « 0 » et débrancher le connecteur de la batterie (8).
3. Vider l'eau des réservoirs (15 et 16) à l'aide du tuyau de vidange (11) et du tuyau (12).
4. Ouvrir le couvercle (17), nettoyer et laver à l'eau propre le couvercle, les réservoirs et la grille d'aspiration (30).
5. Si besoin est, dégager la grille (A, Fig. 8), puis la nettoyer avec soin et installer à nouveau.
6. Contrôler l'intégrité du joint d'étanchéité (B) du couvercle du réservoir de l'eau de récupération.



REMARQUE

Le joint d'étanchéité (B) permet la création d'une dépression dans le réservoir, nécessaire à l'aspiration de l'eau de récupération.

Si besoin est, déposer le joint (B) de son logement et le remplacer. Lors de la pose du nouveau joint d'étanchéité, positionner le raccord (C) dans la zone latérale indiquée dans la figure.

7. Contrôler aussi l'intégrité et l'efficacité de la surface d'appui (D) du joint d'étanchéité (B).
8. Fermer le couvercle du réservoir de l'eau de récupération (17).

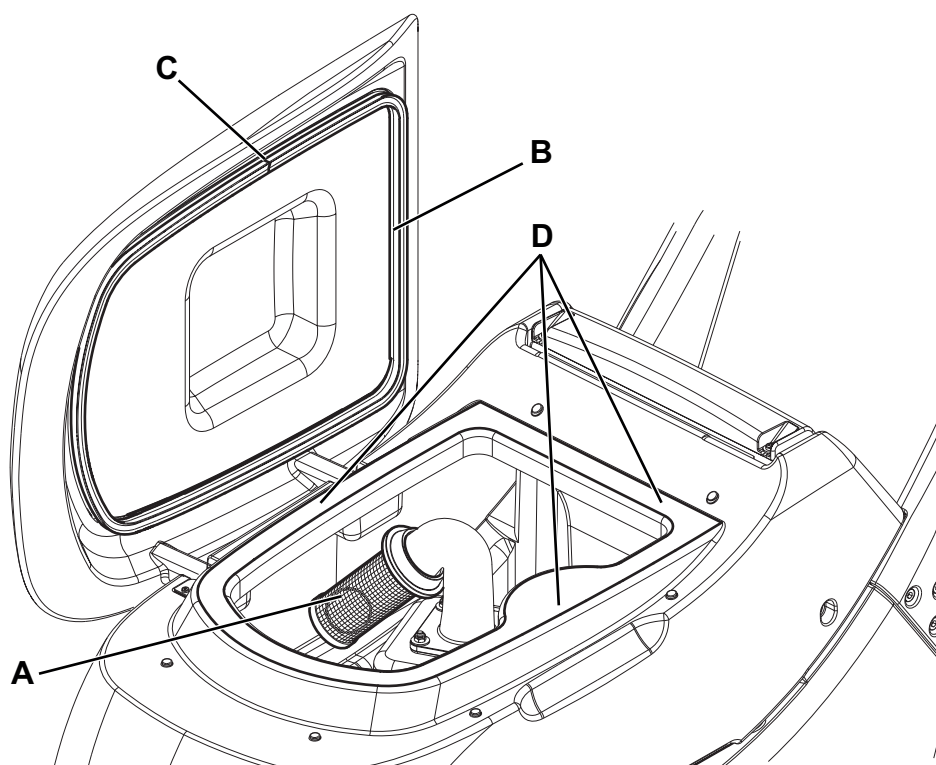


Figure 8

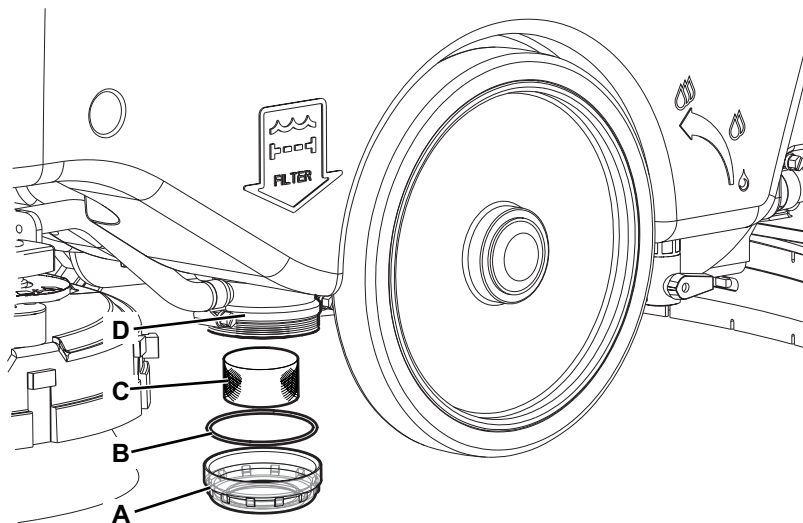
P100668

NETTOYAGE DU FILTRE DE LA SOLUTION

1. Vider le réservoir de la solution (15), en procédant comme indiqué au paragraphe spécifique.
2. Porter la machine sur un sol plat.
3. Contrôler que les interrupteurs (41 e 42) sont en position « 0 » et débrancher le connecteur de la batterie (8).
4. Dévisser le couvercle transparent (A, Fig. 9), déposer le joint (B) et déposer le filet filtrant (C). Les nettoyer et les reposer sur le support (D).

**REMARQUE**

Placer correctement le joint d'étanchéité (B) et le filet filtrant (C) dans les logements du couvercle (A) et du support (D).

**Figure 9**

P100669

CONTRÔLE / REMPLACEMENT DES FUSIBLES

1. Débrancher le connecteur (8) des batteries.
2. Déplacer le tuyau de vidange de l'eau de récupération (11).
3. Si équipé, déposer le câble du chargeur de batterie du logement (5).
4. Déposer les vis (A, Fig. 10) et déplacer le tableau (B) avec soin en dégagant la bague en caoutchouc (C) de son logement dans le tableau (B).
5. Contrôler / remplacer les fusibles suivants :
 - (D) Fusible F1 (40 A), tête brosse
 - (E) Fusible F2 (30 A), système d'aspiration
 - (F) Fusible F3 (5 A), carte électronique
6. Exécuter les étapes de 1 à 4 dans l'ordre inverse.

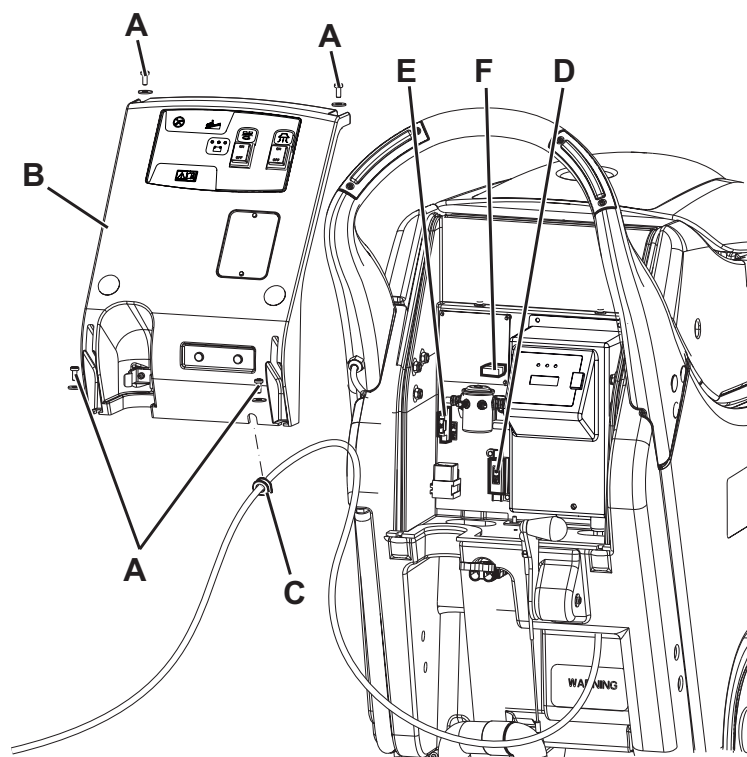


Figure 10

P100670

DÉPISTAGE DES PANNES

Problème	Cause possible	Remède
Les moteurs ne fonctionnent pas ; aucun DEL ne s'allume.	Le connecteur des batteries est débranché.	Connecter.
	Batteries complètement déchargées.	Charger les batteries.
	L'interrupteur (41) est défectueux.	Remplacer. (*)
Les DELS (43) clignotent simultanément.	Moteur tête de brosse en surcharge.	Utiliser une brosse moins dure adéquate au sol traité.
	Présence de corps étrangers (fils entortillés, etc.) qui risquent de freiner la rotation de la brosse.	Nettoyer le moyeu de la brosse.
La brosse ne tourne pas.	Fusible (F1) grillé.	Remplacer.
	L'interrupteur (47) est défectueux.	Remplacer. (*)
Le moteur du système d'aspiration ne démarre pas.	Fusible (F2) grillé.	Remplacer.
	L'interrupteur (42) est défectueux.	Remplacer. (*)
Aspiration de l'eau de récupération insuffisante.	Réservoir d'eau de récupération plein.	Vider le réservoir.
	Tuyau flexible déconnecté de l'embouchure.	Connecter.
	Grille d'aspiration obstruée ou flotteur bloqué en position fermée.	Nettoyer la grille ou contrôler le flotteur.
	Embouchure sale ou lamelles en caoutchouc d'embouchure usées ou endommagées.	Nettoyer et contrôler l'embouchure.
	Couvercle des réservoirs pas bien fermé ou joint endommagé.	Fermer correctement le couvercle ou remplacer le joint.
Flux de solution à la brosse insuffisant.	Électrovanne de solution en panne.	Remplacer. (*)
	Filtre de la solution sale.	Nettoyer le filtre.
Traces laissées par l'embouchure.	Débris sous les lamelles en caoutchouc de l'embouchure.	Enlever les débris.
	Lamelles en caoutchouc de l'embouchure usées, ébréchées ou déchirées.	Remplacer les lamelles en caoutchouc.
	Embouchure non réglée au moyen du bouton de réglage.	Régler.

(*) Opération d'entretien du ressort d'un Service après vente agréé Advance.

**REMARQUE**

La machine ne peut pas fonctionner sans le chargeur de batterie.

En cas de panne du chargeur de batterie, s'adresser à un Service après-vente autorisé.

Pour de plus amples informations s'adresser aux Services après-vente Advance, ou consulter le manuel d'entretien.

MISE À LA FERRAILLE

Effectuer la mise à la ferraille de la machine auprès d'un démolisseur autorisé.

Avant d'effectuer la mise à la ferraille de la machine il est nécessaire de déposer et séparer les éléments suivants et les envoyer aux collectes sélectives, conformément aux normes d'hygiène de l'environnement en vigueur :

- Batterie
- Brosses / disques
- Tuyaux et pièces en matériel plastique
- Parties électriques et électroniques (*)

(*) Notamment pour la mise en décharge des parties électriques et électroniques, s'adresser au centre Advance le plus proche.

ÍNDICE

INTRODUÇÃO	2
OBJECTIVO E CONTEÚDO DO MANUAL	2
DESTINATÁRIOS	2
CONSERVAÇÃO DO MANUAL	2
DADOS DE IDENTIFICAÇÃO	2
OUTROS MANUAIS DE REFERÊNCIA	2
PEÇAS DE SUBSTITUIÇÃO E MANUTENÇÃO	2
MODIFICAÇÕES E MELHORIAS	2
CAPACIDADE DE OPERAÇÃO	3
CONVENÇÕES	3
DESEMBALAGEM/ENTREGA	3
SEGURANÇA	3
SÍMBOLOS VISÍVEIS NA MÁQUINA	3
SÍMBOLOS UTILIZADOS NO MANUAL	4
INSTRUÇÕES GERAIS	4
DESCRIÇÃO DA MÁQUINA	6
ESTRUTURA DA MÁQUINA	6
PAINEL DE CONTROLO	8
ACESSÓRIOS / OPCIONAIS	8
CARACTERÍSTICAS TÉCNICAS	9
DIAGRAMA ELÉCTRICO	10
UTILIZAÇÃO	11
CONTROLO / PREPARAÇÃO DAS BATERIAS NUMA MÁQUINA NOVA	11
INSTALAÇÃO DAS BATERIAS E DEFINIÇÃO DO TIPO DE BATERIAS (WET OU GEL/AGM)	12
ANTES DE COLOCAR A MÁQUINA EM FUNCIONAMENTO	13
ARRANQUE E PARAGEM DA MÁQUINA	14
MÁQUINA EM OPERAÇÃO (LAVAGEM/SECAGEM)	15
TRANSPORTE/ESTACIONAMENTO DA MÁQUINA	16
ESVAZIAMENTO DO RESERVATÓRIO	16
APÓS A UTILIZAÇÃO DA MÁQUINA	16
REMOÇÃO DO RESERVATÓRIO DA ÁGUA DE RECUPERAÇÃO	17
INACTIVIDADE PROLONGADA DA MÁQUINA	17
MANUTENÇÃO	18
PLANO DE MANUTENÇÃO PROGRAMADA	18
CARREGAMENTO DAS BATERIAS	19
LIMPEZA DO LIMPADOR	20
CONTROLO E SUBSTITUIÇÃO DAS BORRACHAS DO LIMPADOR	20
LIMPEZA DA ESCOVA	21
LIMPEZA DOS RESERVATÓRIOS E DA GRELHA DE ASPIRAÇÃO	21
LIMPEZA DO FILTRO DA SOLUÇÃO DETERGENTE	22
CONTROLO/SUBSTITUIÇÃO DOS FUSÍVEIS	23
RESOLUÇÃO DE PROBLEMAS	24
FIM DE VIDA	24

INTRODUÇÃO



NOTA

Os números indicados entre parêntesis referem-se aos componentes ilustrados no capítulo *Descrição da máquina*.

OBJECTIVO E CONTEÚDO DO MANUAL

Este manual tem como objectivo fornecer ao operador todas as informações necessárias para poder utilizar a máquina da maneira mais adequada, autónoma e segura possível. O manual compreende informações inerentes à parte técnica, à segurança, ao funcionamento, à paragem da máquina, à manutenção, às peças de substituição e ao fim de vida.

Antes de efectuar qualquer operação na máquina, os operadores e os técnicos qualificados devem ler cuidadosamente as instruções contidas no presente manual. Em caso de dúvidas sobre a correcta interpretação das instruções, contacte a Advance para obter os esclarecimentos necessários.

DESTINATÁRIOS

O presente manual destina-se quer ao operador, quer aos técnicos qualificados de manutenção da máquina.

Os operadores não devem executar intervenções reservadas aos técnicos qualificados. A Advance não se responsabiliza por danos resultantes do não cumprimento desta proibição.

CONSERVAÇÃO DO MANUAL

O Manual de instruções de uso e manutenção deve ser guardado próximo da máquina, dentro do seu estojo, protegido de líquidos e tudo mais que possa deteriorar o seu estado de legibilidade.

DADOS DE IDENTIFICAÇÃO

O número de série e o modelo da máquina estão indicados na placa (29).

A mesma placa indica também o ano de produção e o código do produto.

Estas informações são necessárias quando são encomendadas peças de substituição para a máquina. Utilize o espaço seguinte para anotar os dados de identificação da máquina.

Modelo da MÁQUINA
Código do PRODUTO
Número de série da MÁQUINA

OUTROS MANUAIS DE REFERÊNCIA

Manual do carregador de bateria electrónico, deve ser considerado parte integrante do presente manual

Além disso, encontram-se disponíveis os seguintes manuais:

- Manual de assistência (pode ser consultado nos centros de assistência da Advance)
- Catálogo das peças de substituição (fornecido com a máquina)

PEÇAS DE SUBSTITUIÇÃO E MANUTENÇÃO

Em caso de necessidade relativa à utilização, à manutenção e à reparação, consulte o pessoal qualificado ou directamente os centros de assistência Advance.

Utilize sempre peças de substituição e acessórios originais.

Para obter assistência e para encomendar peças de substituição e acessórios, contacte a Advance, especificando sempre o modelo, o código do produto e o número de série.

MODIFICAÇÕES E MELHORIAS

A Advance procura constantemente aperfeiçoar os produtos e reserva-se o direito de efectuar modificações e melhorias, quando necessário, sem a obrigação de modificar as máquinas vendidas anteriormente.

Fica estipulado que qualquer modificação e/ou acréscimo de acessórios deve ser explicitamente aprovada e realizada pela Advance.

CAPACIDADE DE OPERAÇÃO

A presente máquina de lavar e secar foi concebida e fabricada para a limpeza (lavagem e secagem) de pisos lisos e sólidos, em espaços públicos e industriais, em condições de comprovada segurança, por parte de um operador qualificado.

A máquina de lavar e secar não é adequada para a lavagem de tapetes ou carpetes.

CONVENÇÕES

Todas as referências para frente e para trás, dianteiro e traseiro, direito e esquerdo indicadas neste manual, devem ser entendidas como referindo-se ao operador na posição de condução com as mãos no guiador (2).

DESEMBALAGEM/ENTREGA

Para desembalar a máquina, siga atentamente as instruções indicadas na própria embalagem.

No momento da entrega da máquina, verifique com atenção que a embalagem e a máquina não tenham sido danificadas durante o transporte.

Se notar qualquer dano, guarde a embalagem para que possa ser vista por parte do transportador responsável pela entrega.

Contacte imediatamente a empresa de entregas para preencher um pedido de indemnização pelos danos.

Verifique que os seguintes componentes são fornecidos com a sua máquina:

- Documentação técnica:
 - Manual de instruções de uso da máquina de lavar e secar
 - Manual do carregador de bateria
 - Catálogo das peças de substituição da máquina de lavar e secar
- N.º 2 fusíveis lamelares



ATENÇÃO!

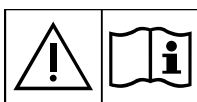
Os produtos vendidos com este Manual contêm produtos químicos que são considerados por alguns governos (como o Estado da Califórnia, conforme identificado na respectiva Proposta 65 de Lei de Advertência Regulamentar) como causadores de cancro, defeitos de nascença ou outros problemas reprodutivos. Em determinados locais (incluindo o Estado da Califórnia), os compradores destes produtos que os colocam em serviço num local de trabalho ou num espaço de acesso público devem, por lei, fazer determinados avisos, advertências ou divulgações no que diz respeito aos produtos químicos que existem ou possam existir nos Produtos em tais locais de trabalho. É da responsabilidade do comprador conhecer o conteúdo e respeitar qualquer lei e regulamento relativos à utilização destes Produtos em tais ambientes. O Fabricante rejeita qualquer responsabilidade de comunicação aos compradores de quaisquer requisitos específicos que possam ser aplicáveis à utilização dos Produtos em tais ambientes.

SEGURANÇA

São utilizados os seguintes símbolos para assinalar eventuais situações de perigo. Leia sempre estas informações com atenção e tome as devidas precauções para proteger as pessoas e os objectos.

A colaboração do operador é essencial para evitar acidentes. Nenhum programa de prevenção de acidentes pode ser eficaz sem a total colaboração da pessoa directamente responsável pelo funcionamento da máquina. A maioria dos acidentes, que podem ocorrer numa fábrica, no trabalho ou nas deslocações, resultam do incumprimento das mais elementares normas de segurança. Um operador atento e prudente é a melhor garantia contra os acidentes e indispensável para implementar qualquer programa de prevenção.

SÍMBOLOS VISÍVEIS NA MÁQUINA



ATENÇÃO!

Leia atentamente todas as instruções antes de executar qualquer operação na máquina.



ATENÇÃO!

Não lave a máquina com jactos de água directos ou sob pressão.



ATENÇÃO!

Não utilize a máquina em superfícies cujo gradiente seja superior àquele indicado.

SÍMBOLOS UTILIZADOS NO MANUAL**PERIGO!**

Indica um perigo com risco, até mortal, para o operador.

**ATENÇÃO!**

Indica um risco potencial de acidente para as pessoas.

**ADVERTÊNCIA!**

Indica uma advertência ou uma nota sobre funções chave ou sobre funções úteis. Preste a máxima atenção aos blocos de texto assinalados com esse símbolo.

**NOTA**

Indica uma nota sobre funções chave ou sobre funções úteis.

**CONSULTA**

Indica a necessidade de consultar o Manual de instruções de uso antes de executar qualquer operação.

INSTRUÇÕES GERAIS

Encontram-se descritas a seguir advertências e atenções específicas para indicar os potenciais perigos de danos à máquina e às pessoas.

**PERIGO!**

- *Antes de executar qualquer operação de limpeza da máquina, manutenção ou substituição de peças, coloque os interruptores gerais da máquina na posição “0” e desligue o conector das baterias.*
- *Esta máquina deve ser utilizada apenas por pessoas que tenham tido formação apropriada.*
- *Quando estiver a trabalhar próximo de componentes eléctricos, tire todas as jóias.*
- *Não trabalhe sob a máquina levantada, sem os suportes de elevação fixos de segurança adequados.*
- *Não opere com esta máquina em espaços onde estejam presentes poeiras, líquidos ou vapores nocivos, perigosos, inflamáveis e/ou explosivos: esta máquina não é adequada para recolher poeira perigosa.*
- *A máquina está equipada com baterias de chumbo (WET), mantenha faíscas, chamas e materiais incandescentes afastados das baterias. Gases explosivos são expelidos durante o uso normal.*
- *Se a máquina estiver equipada com baterias de chumbo (WET), durante o carregamento das baterias é produzido gás hidrogénio altamente explosivo. Remova o reservatório de água de recuperação durante todo o ciclo de recarga das baterias e efectua a operação apenas em áreas bem ventiladas e longe de chamas livres.*

**ATENÇÃO!**

- *Antes de efectuar qualquer intervenção de manutenção/reparação, leia cuidadosamente todas as instruções relativas à manutenção/reparação.*
- *Antes de utilizar o carregador de bateria, certifique-se de que a frequência e a tensão indicadas na placa do número de série da máquina correspondem à tensão da rede.*
- *Não utilize o cabo do carregador de bateria para tirar ou transportar a máquina, nem o utilize como se fosse uma pega. Não deixe que o cabo do carregador de bateria seja preso numa porta, nem o puxe em superfície ou ângulos afiados. Não passe com a máquina por cima do cabo do carregador de bateria.*
- *Mantenha o cabo do carregador de baterias afastado de superfícies quentes.*
- *Se o cabo do carregador de baterias ou a ficha estiverem danificados, não recarregue as baterias da máquina. Se a máquina não funcionar correctamente, estiver danificada, tiver ficado ao ar livre ou caído na água, leve-a para um centro de assistência.*
- *Para reduzir o risco de incêndio, choques eléctricos ou lesões, não deixe a máquina ligada à rede eléctrica sem vigilância. Antes de efectuar a manutenção, desligue o cabo do carregador de bateria da rede eléctrica.*
- *Não fume durante o carregamento das baterias.*

**ATENÇÃO!**

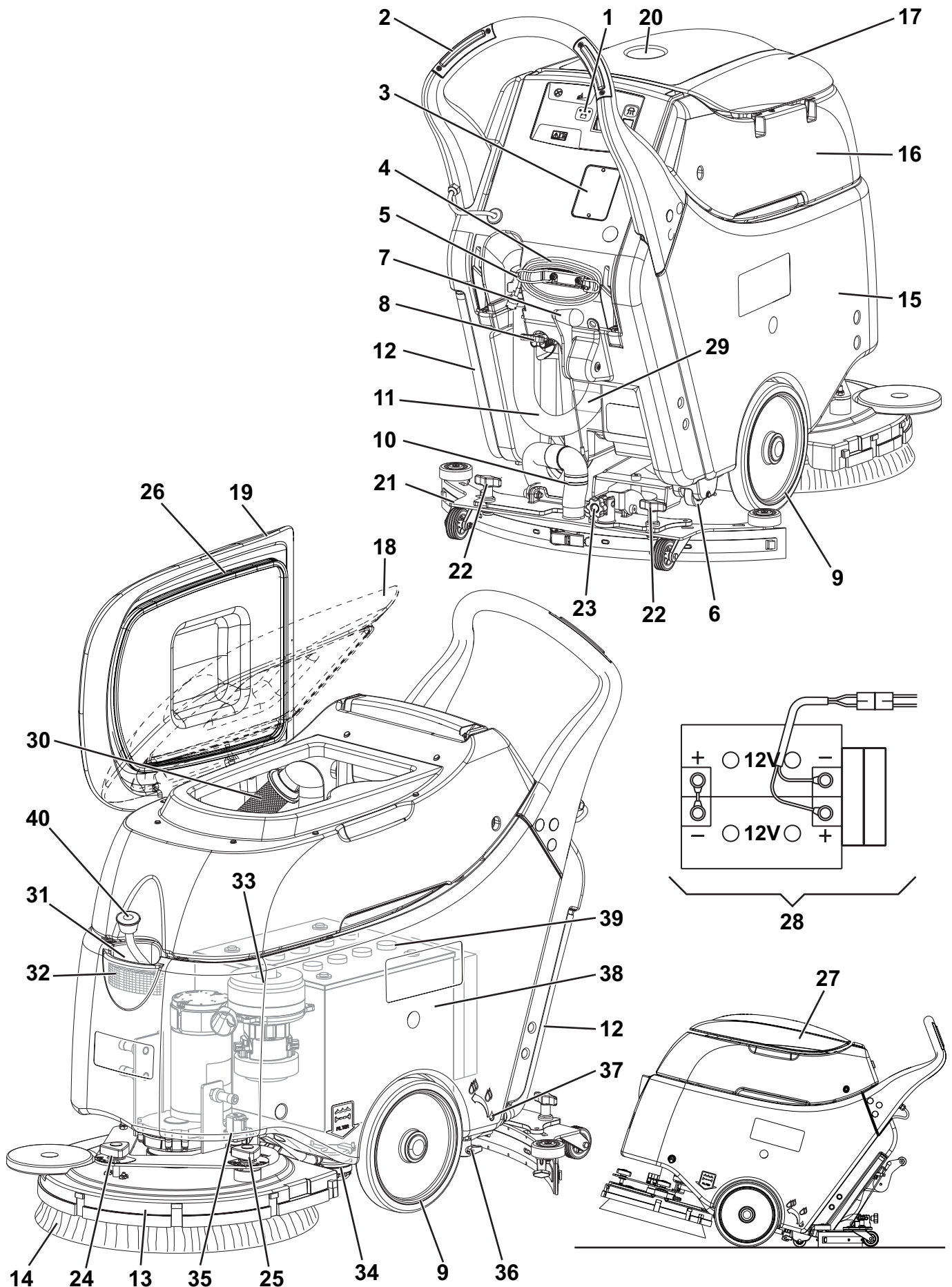
- *Proteja sempre a máquina do sol, chuva e outras intempéries seja em estado de funcionamento ou parada. Mantenha a máquina num lugar coberto, num ambiente seco: esta máquina deve ser utilizada só a seco e não deve ser utilizada ou conservada no exterior, em condição de humidade.*
- *Antes de utilizar a máquina, feche todas as portinholas e/ou tampas como descrito no Manual de instruções de uso.*
- *Esta máquina não é adequada para a utilização por parte de pessoas (incluindo crianças) com capacidades físicas, sensoriais ou mentais reduzidas, bem como com falta de experiência ou de conhecimento, salvo se forem supervisionadas ou formadas sobre a utilização da máquina por parte de uma pessoa responsável pela sua segurança.*
As crianças devem ser vigiadas para garantir que não brincam com a máquina.
- *Preste em particular atenção quando a utilizar com crianças por perto.*
- *Não utilize para fins diferentes dos que são indicados neste Manual. Utilize apenas os acessórios recomendados pela Advance.*
- *Inspeccione atentamente a máquina e verifique sempre se montou todos os componentes, antes de a usar. A utilização da máquina não perfeitamente montada pode provocar lesões nas pessoas e nos danos nas ferramentas.*
- *Tome as devidas precauções de modo que cabelos, jóias, partes das roupas soltas não fiquem presas nas partes em movimento da máquina.*
- *Não utilize a máquina em superfícies cujo gradiente seja superior àquele indicado.*
- *Não utilize a máquina em superfícies inclinadas.*
- *Não utilize a máquina em superfícies cujo gradiente seja superior àquele indicado.*
- *Não utilize a máquina em espaços particularmente poeirentos.*
- *Utilize a máquina unicamente em áreas suficientemente iluminadas.*
- *Durante a utilização da máquina, preste atenção para garantir a segurança das outras pessoas e dos objectos.*
- *Não encoste a estantes ou andaimes, principalmente se existir o perigo de queda de objectos.*
- *Não pose recipientes com líquidos na máquina, utilize a base específica porta-copos e porta-latas.*
- *A temperatura de uso da máquina deve estar compreendida entre 32 °F e 104 °F (0 °C e +40 °C).*
- *A temperatura de armazenamento da máquina deve estar compreendida entre 32 °F e 104 °F (0 °C e +40 °C).*
- *A humidade deve estar compreendida entre 30% e 95%.*
- *Durante a utilização de detergentes para a limpeza dos pavimentos, siga as instruções e as advertências indicadas nas etiquetas das garrafas.*
- *Antes de manusear detergentes para a limpeza dos pavimentos, vista luvas e protecções adequadas.*
- *Não utilize a máquina como meio de transporte.*
- *Evite que a escova/feltro trabalhe com a máquina parada para não provocar danos no piso.*
- *Em caso de incêndio, utilize, se for possível, um extintor de pó e não de água.*
- *Não viole, em nenhum caso, as protecções previstas para a máquina, respeite escrupulosamente as instruções previstas para a manutenção periódica.*
- *Não deixe nenhum objecto penetrar nas aberturas. Se as aberturas estiverem obstruídas, não utilize a máquina. Mantenha as aberturas da máquina livres de pó, fios, pêlos e qualquer outro corpo estranho que possa reduzir o fluxo de ar.*
- *Não remova, nem altere as placas colocadas na máquina.*
- *A presente máquina não é aprovada para a utilização em estradas ou vias públicas.*
- *Preste atenção durante o transporte da máquina em condições abaixo da temperatura de congelamento. A água presente no reservatório da água de recuperação ou nos tubos pode congelar e danificar gravemente a máquina.*
- *Utilize unicamente as escovas e os feltros fornecidos com a máquina ou os especificados no Manual de instruções de uso. A utilização de outras escovas ou feltros pode pôr em causa a segurança.*
- *No caso de se verificarem anomalias no funcionamento da máquina, certifique-se de que não se devem à falta de manutenção periódica. Caso contrário, solicite a intervenção do pessoal autorizado ou do centro de assistência autorizado.*
- *Em caso de substituição de peças, solicite peças de substituição ORIGINAIS a um concessionário ou revendedor autorizado.*
- *Por motivos da segurança, e também do bom funcionamento, faça com que pessoal autorizado ou um centro de assistência autorizado execute a manutenção programada prevista no capítulo específico deste manual.*
- *Não lave a máquina com jactos de água directos ou sob pressão, ou com substâncias corrosivas.*
- *A máquina não deve ser abandonada, no fim de seu ciclo de vida, devido à presença, em seu interior, de materiais tóxicos nocivos (baterias, etc.), sujeitos a normas que prevêm o despejo junto a centros especiais (veja o capítulo Fim de vida).*

DESCRIÇÃO DA MÁQUINA

ESTRUTURA DA MÁQUINA

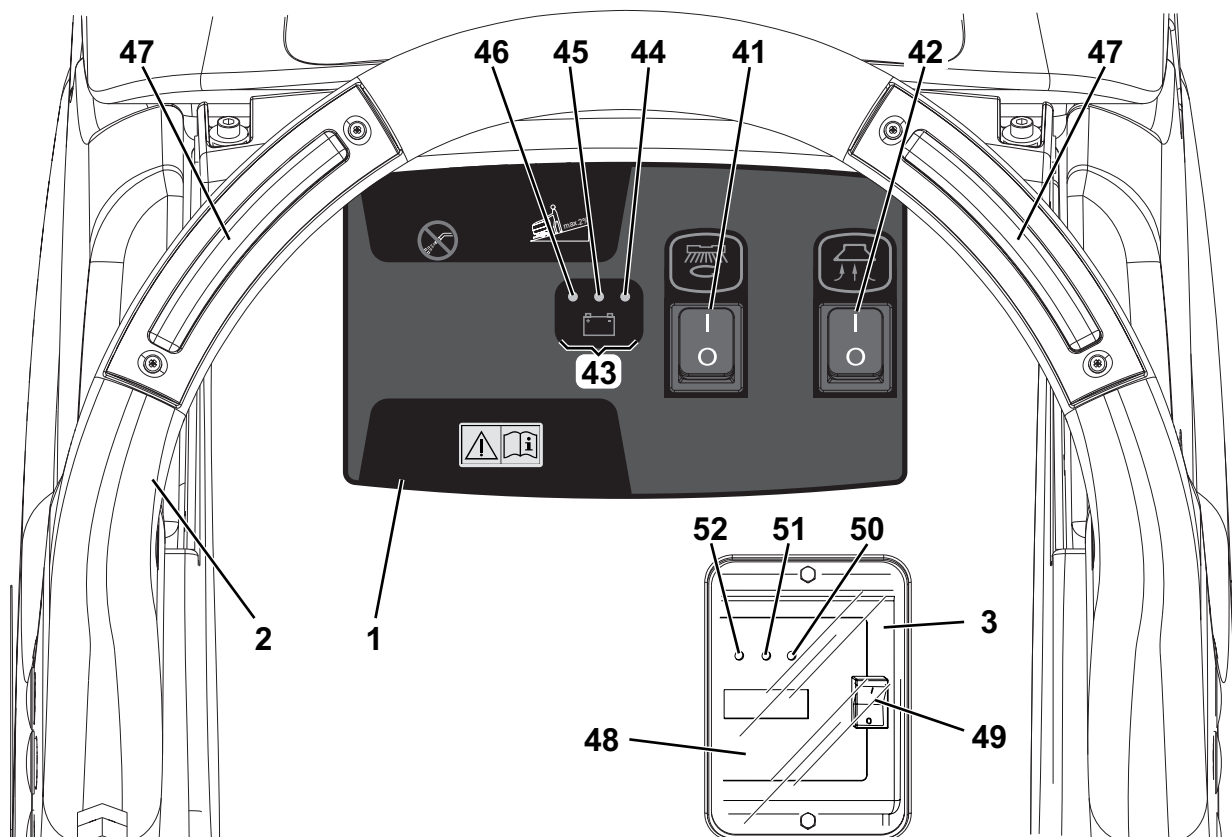
1. Painel de controlo
2. Guiador
3. Visor de leitura dos dados do carregador de baterias
4. Cabo do carregador de baterias
5. Suporte do cabo do carregador de baterias
6. Roda traseira de estacionamento
7. Alavanca de elevação/abaixamento do limpador
8. Conector (vermelho) de ligação das baterias.
Este conector activa também a função de EMERGÊNCIA para a paragem imediata de todas as funções.
9. Rodas dianteiras em eixo fixo
10. Tubo de aspiração do limpador
11. Tubo de descarga da água de recuperação
12. Tubo de nível e de descarga da solução detergente
13. Cabeça porta-escova
14. Escova/porta-filtro
15. Reservatório da solução de detergente
16. Reservatório da água de recuperação
17. Tampa de reservatório da água de recuperação
18. Tampa de reservatório da água de recuperação (semi-aberta)
19. Tampa de reservatório da água de recuperação (completamente aberta)
20. Porta-objectos
21. Limpador
22. Volantes de fixação do limpador
23. Volante de regulação do balanceamento do limpador
24. Volante de regulação do avanço rectilíneo da máquina
25. Volante de regulação da velocidade de avanço da máquina
26. Junta da tampa do reservatório
27. Máquina na posição de estacionamento
28. Esquema de ligação das baterias
29. Placa do número de série/dados técnicos/marca de conformidade
30. Grelha de aspiração com fechamento automático com bóia
31. Bocal de enchimento da solução detergente
32. Filtro de esponja
33. Motor do sistema de aspiração
34. Filtro da solução de detergente
35. Electroválvula
36. Alavanca de regulação do fluxo da solução detergente
37. Posição ECO da alavanca de regulação do fluxo de detergente (utilização em “económico” da água, para uma autonomia de lavagem programada de cerca de 90 minutos)
38. Baterias
39. Tampas das baterias
40. Tubo extraível para o carregamento da água (opcional)

ESTRUTURA DA MÁQUINA (Continuação)



PAINEL DE CONTROLO

- | | |
|---|--|
| 41. Interruptor escova/porta-filtro | 49. Selector baterias de chumbo (WET) ou gel (GEL) |
| 42. Interruptor do sistema de aspiração | 50. Indicador luminoso verde (carregador de baterias ligado e baterias carregadas) |
| 43. Indicador do estado do carregador de baterias | 51. Indicador luminoso amarelo (carregador de baterias ligado e baterias semi-carregadas) |
| 44. Led verde - baterias carregadas | 52. Indicador luminoso vermelho (carregador de baterias ligado e baterias em fase de carregamento) |
| 45. Led amarelo - baterias quase descarregadas | |
| 46. Led vermelho - baterias descarregadas | |
| 47. Botão de accionamento da escova | |
| 48. Carregador de baterias electrónico | |



P100659

ACESSÓRIOS / OPCIONAIS

Além dos componentes existentes na versão padrão, a máquina pode ser equipada com os seguintes acessórios/opcionais, com base na utilização específica da mesma:

- Baterias de GEL
- Escovas de materiais diferentes em relação ao standard
- Filtros de materiais diferentes em relação ao equipamento padrão
- Borrachas do limpador de poliuretano
- Tubo extraível para carregar a solução detergente

Para mais informações relativas aos acessórios opcionais acima indicados, consulte o seu revendedor habitual.

CARACTERÍSTICAS TÉCNICAS

Modelo	SC450
Capacidade do reservatório da solução detergente	10,5 US gal (40 litros)
Capacidade do reservatório da água de recuperação	11,9 US gal (45 litros)
Comprimento da máquina	46,4 in (1.180 mm)
Largura da máquina sem limpador	22 in (559 mm)
Altura da máquina	41,7 in (1.060 mm)
Diâmetro escova	20 in (530 mm)
Largura do limpador	30 in (760 mm)
Largura de limpeza	20 in (530 mm)
Diâmetro da roda dianteira	10 in (254 mm)
Pressão específica das rodas no piso	710 psi (4,9 N/mm ²)
Pressão escova/feltro no pavimento com reservatório de solução detergente cheio e limpador abaixado	66 lb (30 kg)
Fluxo mín./máx. de solução de detergente	0,10 ÷ 0,42 gpm (0,4 ÷ 1,6 litros/min)
Fluxo da solução detergente ECO	0,10 gpm (0,4 litros/min)
Pressão sonora no ouvido do operador (ISO 11201, ISO 4871, EN 60335-2-72) (LpA)	68 dB(A) ± 3 dB(A)
Potência sonora emitida pela máquina (ISO 3744, ISO 4871, EN 60335-2-72) (LwA)	85 dB(A)
Nível das vibrações no braço do operador (ISO 5349-1, EN 60335-2-72)	< 98,4 in/s ² (< 2,5 m/s ²)
Inclinação máxima de utilização	2 %
Grau de protecção IP	X4
Classe de protecção (eléctrica)	III
Potência do motor do sistema de aspiração	0,44 hp (330 W)
Depressão do circuito do sistema de aspiração	0,0107 MPa (1.100 mmH ₂ O)
Potência motor escova	0,64 hp (480 W)
Velocidade de rotação da escova	154 rpm
Potência total absorvida	34 A (0,8 kW)
Dimensão do compartimento das baterias (largura x comprimento x altura)	13,7 x 13,7 x 11,8 in (350 x 350 x 300 mm)
Tensão bateria	24 V
Baterias standard (quantidade 2)	A seco: 12 V 70 Ah C5
Carregador de baterias	100-240 VAC
Autonomia bateria padrão	2 horas
Peso sem baterias e com os reservatórios vazios	167 lb (76 kg)
Peso máximo admissível em andamento (GVW)	419 lb (190 kg)
Peso de expedição	227 lb (103 kg)

Composição dos materiais da máquina e nível de reciclagem

Tipo	% reciclável	SC450
Alumínio	100 %	8 %
Motores eléctricos - div.	29 %	18 %
Materiais ferrosos	100 %	19 %
Cablagens	80 %	1 %
Líquidos	100 %	0 %
Plástico - não reciclável	0 %	1 %
Plástico - reciclável	100 %	9 %
Polietileno	92 %	42 %
Borracha	20 %	2 %

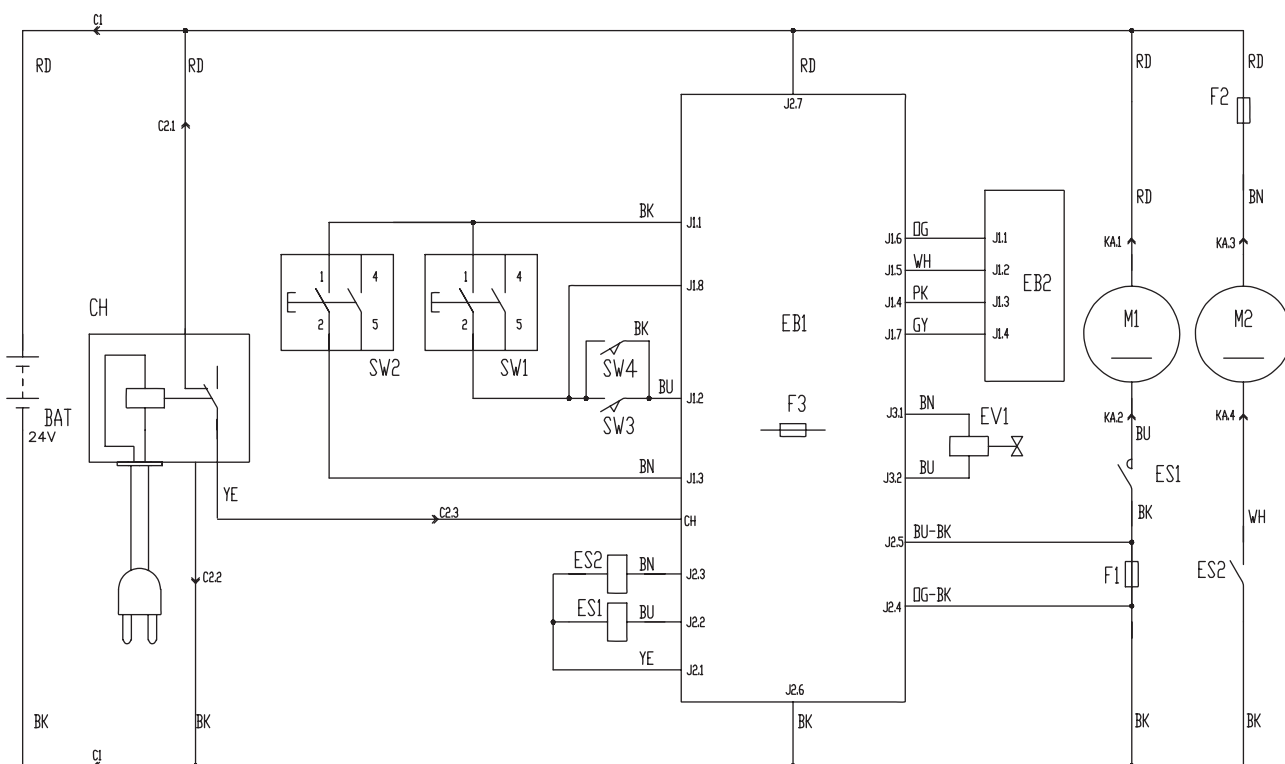
DIAGRAMA ELÉCTRICO

Legenda

BAT	Baterias 24 V
C1	Conectores das baterias
C2	Cabo do carregador de baterias
CH	Carregador de baterias
EB1	Placa electrónica das funções
EB2	Led da placa electrónica
ES1	Contactora do motor da escova/porta-filtro
ES2	Relé do motor do sistema de aspiração
EV1	Electroválvula da solução detergente
F1	Fusível motor da escova (40 A)
F2	Fusível do motor de aspiração (30 A)
F3	Fusível da electroválvula e placa electrónica (5 A)
M1	Motor da escova/porta-filtro
M2	Motor do sistema de aspiração
SW1	Interruptor escova/porta-filtro
SW2	Interruptor do sistema de aspiração
SW3	Botão de accionamento da escova
SW4	Botão de accionamento da escova

Código das cores

BK	Preto
BU	Azul-claro
BN	Castanho
GN	Verde
GY	Cinzento
OG	Cor de laranja
PK	Rosa
RD	Vermelho
VT	Roxo
WH	Branco
YE	Amarelo



P100660

UTILIZAÇÃO



ATENÇÃO!

Em alguns pontos da máquina encontram-se aplicadas autocolantes que indicam:

- PERIGO
- ATENÇÃO
- ADVERTÊNCIA
- CONSULTA

Durante a leitura deste guia, o operador deve compreender perfeitamente o significado dos símbolos presentes nas placas (ver o parágrafo "Símbolos visíveis na máquina").

Não cubra, em caso algum, os autocolantes e substitua-os imediatamente caso venham a ser danificados.

CONTROLO / PREPARAÇÃO DAS BATERIAS NUMA MÁQUINA NOVA



ATENÇÃO!

Os componentes eléctricos desta máquina podem sofrer sérios danos se as baterias não forem instaladas e conectadas da maneira correcta.

As baterias devem ser instaladas exclusivamente por pessoal qualificado. Configure o carregador de baterias de acordo com o tipo de baterias utilizadas (WET ou GEL/AGM).

Inspeccione as baterias antes da instalação para verificar que não estejam danificadas.

Desligue o conector das baterias e a ficha do carregador de baterias.

Manuseie as baterias com muita atenção.

Instale as tampas protectoras dos terminais das baterias fornecidas com a máquina.

A máquina requer duas baterias de 12 V, ligadas conforme o diagrama (28).

A máquina pode ser fornecida numa das seguintes configurações:

Baterias WET ou GEL/AGM montadas na máquina e prontas para a utilização

1. Ligue a máquina premindo os interruptores da escova/porta-filtro (41) e do sistema de aspiração (42). Se o led verde (44) se acender, as baterias estão prontas para a utilização.
2. Se o led amarelo (45) ou vermelho (46) se acender, é necessário carregar as baterias (consulte o procedimento no parágrafo Manutenção).

Baterias não fornecidas

1. Compre baterias adequadas [Ver parágrafo Características Técnicas e o diagrama (28)]. Dirija-se a revendedores qualificados para a escolha e a instalação.
2. Defina a máquina e o carregador de baterias (se for fornecido) de acordo com o tipo de baterias instaladas, operando como indicado no parágrafo seguinte.

INSTALAÇÃO DAS BATERIAS E DEFINIÇÃO DO TIPO DE BATERIAS (WET OU GEL/AGM)

De acordo com o tipo de baterias instaladas (WET ou GEL/AGM), defina a placa electrónica da máquina e do carregador de baterias (se for fornecido), operando conforme indicado a seguir:

Ajuste da máquina

1. Certifique-se que o conector (8) das baterias esteja desligado.
A regulação de fábrica da máquina é para baterias de GEL. Se esta configuração corresponder ao tipo de bateria adquiridas, passe ao ponto 7. Caso contrário, siga os pontos seguintes 2, 3 e 4.
2. Afaste o tubo de descarga da água de recuperação (11).
3. Se estiver presente, remova o cabo do carregador de baterias do suporte (5).
4. Remova os parafusos (A, Fig. 1) e desloque o painel com cuidado (B) desengatando a borracha pequena (C) da sede específica do painel (B).
5. Coloque o micro-interruptor (D) na posição WET.



ATENÇÃO!

Não mover/deslocar o interruptor adjacente (E).

6. Execute os pontos 3, 4 e 5 na ordem inversa.

Defina o carregador de baterias (para máquinas com carregador de baterias a bordo)

7. Remova os parafusos (A, Fig. 2) do ecrã de leitura dos dados do carregador de bateria.
8. Remova o visor (B).
9. Coloque o selector (C) em WET para baterias de chumbo ou em GEL para baterias de gel/agm.
10. Instale o visor (B) e aperte os parafusos (A).

Instalação das baterias

11. Remova o reservatório da água de recuperação (16) operando como indicado no procedimento no parágrafo específico.
12. Instale as baterias na máquina conforme o diagrama (28).



ADVERTÊNCIA!

Para um equilíbrio correcto da máquina, instale as baterias dentro do compartimento com os calços posicionados na parede traseira.

13. Instale o reservatório de água de recuperação (16).

Carregamento das baterias

14. Carregar as baterias (ver o procedimento no capítulo da Manutenção).

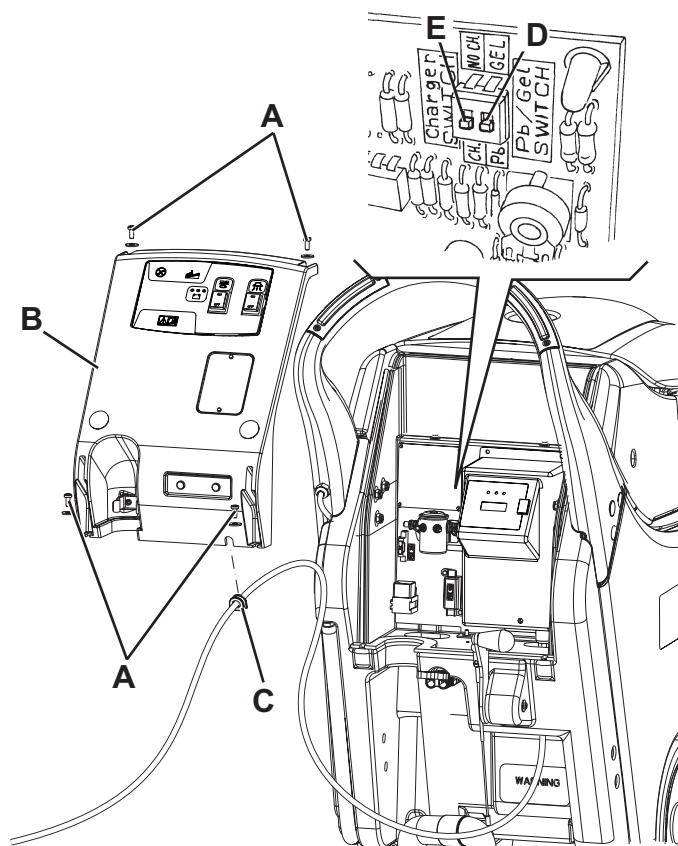


Figura 1

P100661

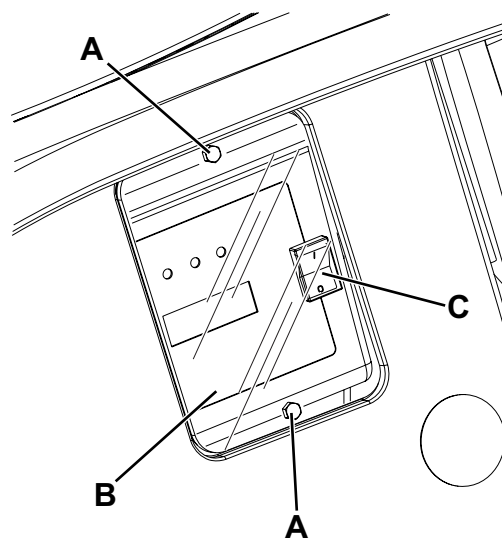


Figura 2

P100662

ANTES DE COLOCAR A MÁQUINA EM FUNCIONAMENTO**Instalação da escova ou do porta-feltro**

NOTA

Em função do pavimento a tratar, é possível instalar a escova (A, Fig. 3) ou o porta-feltro (B e C).

1. Verifique se os interruptores (41 e 42) estão na posição "0".
2. Levante a cabeça do porta-escova/porta-feltro (13) através da alavanca do guiador (2).
3. Posicione a escova (A, Fig. 3) ou o porta-feltro (B com C) sob a cabeça.
4. Baixe a cabeça (13) utilizando o guiador (2).
5. Prima o interruptor (41) para ligar a máquina.
6. Prima durante alguns segundos os botões (47) para permitir o engate da escova/porta-feltro no cubo da cabeça (13). Se for necessário, repita a operação até ao engate da escova/porta-feltro.

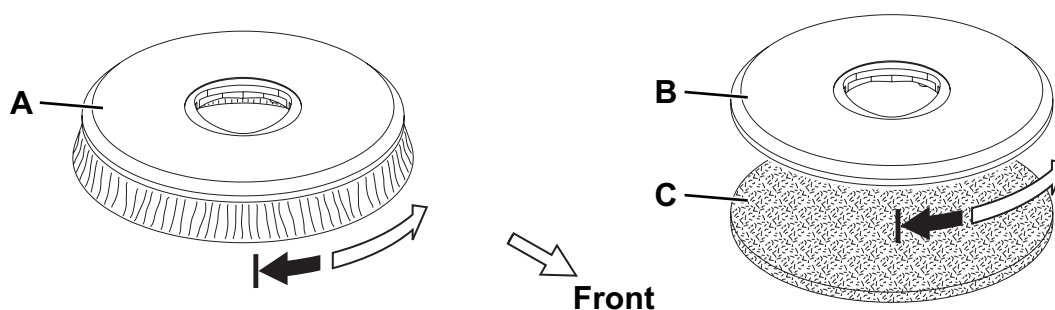


Figura 3

P100663

Tipos de escovas disponíveis e guia da sua aplicação (apenas sugestões)

Modelos	MIDLITE GRIT 180	MIDGRIT 240	PROLENE	PROLITE	UNION MIX
Limpeza geral:					
Betão					
Piso de terraço					
Pavimento de azulejos/pedra					
Mármore					
Pavimento de vinil					
Pavimento de borracha					
Polimento:					
Pavimento de borracha					
Mármore					
Pavimento de vinil					

Instalação do limpador

7. Instale o limpador (21) e fixe-o com os volantes (22), ligue então o tubo de aspiração (10) ao limpador.
8. Regule o limpador através do volante (23) de modo que a sua borracha traseira toque o piso em toda a sua extensão e que a borracha dianteira fique ligeiramente afastada do piso.

Enchimento do reservatório da solução detergente**ADVERTÊNCIA!**

Utilizar exclusivamente detergentes líquidos que produzam pouca espuma e não inflamáveis, idóneos para os aparelhos em uso.

**ATENÇÃO!**

Durante a utilização de detergentes para a limpeza dos pavimentos, siga as instruções e as advertências indicadas nas etiquetas das garrafas.

Antes de manusear detergentes para a limpeza dos pavimentos, vista luvas e protecções adequadas.

9. Através do bocal (31) ou do tubo amovível (40, opcional), encha o reservatório (15) com uma solução detergente adequada para o trabalho a executar. Não encha completamente o reservatório da solução detergente, pare a alguns centímetros do bordo. Siga sempre às instruções de diluição indicadas na etiqueta da confecção do produto químico usado para compor a solução detergente. A temperatura da solução detergente não deve ultrapassar os 104 °F (40 °C).

ARRANQUE E PARAGEM DA MÁQUINA**Arranque da máquina**

1. Ligue a máquina, como previsto no parágrafo anterior.
2. Posicione-se no local de trabalho, empurrando a máquina com as mãos no guiador (2).
3. Abaixar o limpador (21) com a alavanca (7).
4. Posicione a alavanca de regulação do fluxo da solução de detergente (36) numa das seguintes posições possíveis, em função do tipo de limpeza a efectuar:
 - Sistema ECO: colocando a alavanca (36) para a posição ECO (37), a máquina funciona numa condição específica de utilização programada da água; através do fluxo predefinido e constante da água, a máquina pode trabalhar com uma autonomia de cerca de 90 minutos [em média 0,10 gpm (0,4 litros/min.)].
 - Sistema variável: rodando a alavanca para a esquerda (fluxo variável), é possível aumentar a capacidade até um máximo de 0,42 gpm (1,6 litros/min.) (com reservatório cheio), com uma autonomia de cerca de 40 minutos.
5. Prima os interruptores de accionamento da escova/porta-filtro (41) e do sistema de aspiração (42).
6. Prima os botões (47) para accionar a escova/porta-filtro.
7. Comece o trabalho de limpeza, deslocando a máquina com o guiador (2).

**NOTA**

Se o led verde (44) se acender, a máquina está pronta para a utilização. Se o led amarelo (45) ou vermelho (46) se acender, é necessário carregar as baterias (consulte o procedimento no parágrafo Manutenção).

Paragem da máquina

8. Solte os botões (47) para parar a máquina e a escova/porta-filtro.
9. Desligue a escova/porta-filtro e o sistema de aspiração premindo os interruptores (41) e (42).
10. Levante o limpador (21) com a alavanca (7).
11. Com o guiador (2), baixe ligeiramente a máquina até que a roda posterior (6) esteja em contacto com o pavimento na posição de estacionamento (27).

MÁQUINA EM OPERAÇÃO (LAVAGEM/SECAGEM)

1. Ligue a máquina, como previsto no parágrafo anterior.
2. Prima os botões (47), manobre a máquina mantendo ambas as mãos no guiador (2) e inicie o trabalho de lavagem/secagem do piso.
3. Se for necessário, pare a máquina e regule então o volante de regulação do equilíbrio do limpador (23).
4. Se for necessário, altere a quantidade de solução detergente enviada para a escova através da torneira (36).



ADVERTÊNCIA!

Para evitar de danificar a superfície do piso tratado, evite manter a escova/porta-feltro accionado com a máquina parada.



ADVERTÊNCIA!

Antes de levantar a escova/feltro, pare a rotação soltando os botões (47).



NOTA

Para uma lavagem/secagem correcta dos pavimentos nos bordos das paredes, a Advance sugere aproximar-se com o lado direito da máquina como representado na figura 4.

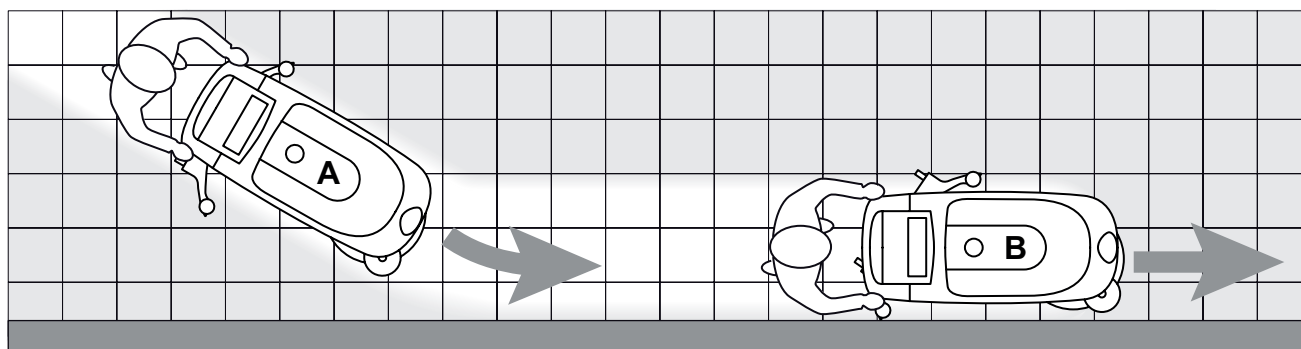


Figura 4

P100664



ADVERTÊNCIA!

Em caso de sobrecarga do motor da escova/porta-feltro, devido a corpos estranhos que dificultam o movimento das mesmas ou a pisos/escovas demasiado agressivos, um sistema de segurança pára a escova/porta-feltro após aproximadamente um minuto de sobrecarga contínua.

A condição de sobrecarga é indicada pelos três leds que piscam ao mesmo tempo (44, 45, 46).

Para continuar a trabalhar após a paragem da escova/porta-feltro devida à sobrecarga, é necessário desligar a máquina, colocando os interruptores da escova/porta-feltro e do sistema de aspiração (41 e 42) na posição "0".

Para voltar a ligar a máquina, coloque os interruptores da escova/porta-feltro e do sistema de aspiração (41 e 42) na posição "I".

Carregamento da bateria durante o funcionamento

5. Enquanto o led verde (44) permanecer aceso, as baterias permitem que a máquina funcione normalmente. Quando o led verde (44) se apagar e se acenderem em sequência os leds amarelo (45) e vermelho (46), é necessário efectuar o carregamento da bateria dado que a autonomia residual de funcionamento da máquina atingiu o nível mínimo.



ADVERTÊNCIA!

Para não danificar as baterias e reduzir a respectiva vida útil, não persistir na utilização da máquina com baterias descarregadas.

Regulação da velocidade de avanço da máquina

6. A velocidade de avanço da máquina varia em função do tipo de pavimento a limpar e da selecção de utilização da escova ou do feltro. Se for necessário, pare a máquina e rode o volante de regulação da velocidade de avanço da máquina (25), operando como indicado a seguir:
 - rode no sentido contrário aos ponteiros do relógio para aumentar a velocidade de avanço;
 - rode no sentido dos ponteiros do relógio para diminuir a velocidade de avanço.

Avanço rectilíneo da máquina

7. Caso note na máquina a tendência a desviar da direcção em linha recta de avanço, é possível intervir no volante (24) no sentido dos ou contrários aos ponteiros para corrigir o desvio e obter um comportamento bastante neutro.

TRANSPORTE/ESTACIONAMENTO DA MÁQUINA

Para o transporte/estacionamento da máquina, siga as seguintes indicações.

1. Coloque os interruptores da escova/porta-filtro e do sistema de aspiração (41 e 42) na posição "0".
2. Levante o limpador com a alavanca (7).
3. Segure o guiador (2) e baixe-o ligeiramente até levantar a escova do pavimento. Com a máquina nesta posição, empurre-a até à zona prevista para estacionamento. Baixe a máquina até que a roda traseira (6) esteja em contacto com o pavimento na posição de estacionamento (27).
4. Depois desta acção, é aconselhável remover a escova/filtro (consulte o procedimento no parágrafo específico no capítulo Manutenção).

ESVAZIAMENTO DO RESERVATÓRIO

Um sistema de fecho automático com bóia (30) bloqueia o sistema de aspiração quando o reservatório da água de recuperação (16) está cheio.

É possível notar o bloqueio do sistema de aspiração ao sentir um aumento súbito da frequência do ruído do motor do sistema de aspiração.



ADVERTÊNCIA!

Caso o sistema de aspiração se desligar por razões acidentais (por exemplo devido à intervenção prematura do bóia durante a deslocação brusca da máquina), para restabelecer o funcionamento, desligue-o pressionando o interruptor (42) e, em seguida, abra a tampa (17) e certifique-se de que a bóia no interior da grelha (30) tenha descido até ao nível da água. Por último, feche a tampa (17) e volte a ligar o sistema de aspiração pressionando o interruptor (42).

Quando o reservatório da água de recuperação (16) estiver cheio, efectue ao respectivo esvaziamento operando como indicado de seguida.

Esvaziamento do reservatório de água de recuperação

1. Coloque os interruptores da escova/porta-filtro e do sistema de aspiração (41 e 42) na posição "0".
2. Levante o limpador com a alavanca (7).
3. Leve a máquina para a zona de despejo designada.
4. Segure o guiador (2) e baixe-o ligeiramente até que a roda traseira (6) esteja em contacto com o pavimento.
5. Esvazie o reservatório da água de recuperação com o tubo de esvaziamento (11). No fim da utilização, lave o reservatório com água limpa.

Esvaziamento do reservatório da solução detergente

6. Execute os pontos 1 a 4.
7. Esvazie o reservatório da solução detergente com o tubo flexível (12). No fim da utilização, lave o reservatório com água limpa.

APÓS A UTILIZAÇÃO DA MÁQUINA

No fim do serviço, antes de abandonar a máquina:

1. Coloque os interruptores da escova/porta-filtro e do sistema de aspiração (41 e 42) na posição "0".
2. Remova a escova/porta-filtro, tal como indicado no parágrafo específico no capítulo Manutenção.
3. Esvazie os reservatórios (15 e 16), operando como indicado no parágrafo anterior.
4. Efectue as manutenções previstas após a utilização da máquina (veja o capítulo Manutenção).
5. Conserve a máquina num local seco e limpo, com a escova/porta-filtro e o limpador desmontados ou levantados.

REMOÇÃO DO RESERVATÓRIO DA ÁGUA DE RECUPERAÇÃO

Para poder controlar ou recarregar as baterias de chumbo (WET) ou para outras intervenções, pode ser necessário retirar o reservatório da água de recuperação (16); o respectivo procedimento é indicado a seguir.

1. Esvazie o reservatório da água de recuperação (16) operando como indicado no parágrafo específico.
2. Coloque a máquina num pavimento plano.
3. Verifique se os interruptores (41 e 42) estão na posição "0".
4. Desencaixe o tubo de descarga da água de recuperação (11) do seu suporte.
5. Agarre o reservatório da água de recuperação (A, Fig. 5) na zona (B) e levante-o ligeiramente.
6. Desligue o tubo de aspiração (C) do reservatório.
7. Desligue o tubo (D) de ligação da grelha de aspiração do reservatório.
8. Retire o tubo de descarga (E) da fenda inferior e retire o reservatório (A).

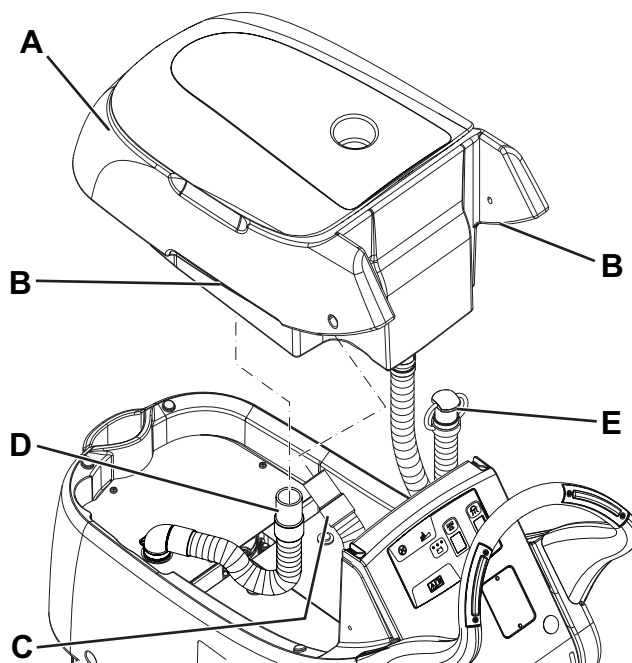


Figura 5

9. Para a montagem do reservatório, siga os pontos 4 a 8 pela ordem inversa em relação à remoção.

P100665

INACTIVIDADE PROLONGADA DA MÁQUINA

Caso preveja não utilizar a máquina por mais de 30 dias, é oportuno executar as seguintes operações:

1. Execute as operações descritas no parágrafo "Após a utilização da máquina".
2. Desligue o conector (8) das baterias.

MANUTENÇÃO

A duração da vida útil da máquina e sua máxima segurança de funcionamento são garantidas através de uma manutenção cuidadosa e regular. Encontra-se indicado a seguir uma síntese do plano de manutenção programada. As periodicidades indicadas podem sofrer variações em função de condições especiais de trabalho, a serem definidas por parte do responsável da manutenção.



ATENÇÃO!

As operações de manutenção devem ser efectuadas com a máquina parada, com as baterias desligadas e com o cabo eléctrico de carregamento de baterias desligado.

Além disso, leia cuidadosamente todas as instruções do parágrafo Segurança.

Todas as operações de manutenção programadas ou extraordinárias devem ser efectuadas por pessoal qualificado ou por um centro de assistência autorizado.

Neste manual estão indicados apenas os procedimentos de manutenção mais simples e mais frequentes.

Para o procedimento de outras operações de manutenção indicadas no diagrama de manutenção programada, consulte o respectivo Manual de assistência que possuem os vários Centros de assistência.

PLANO DE MANUTENÇÃO PROGRAMADA

Procedimento	Diário, após a utilização da máquina	Semanal	Semestral	Anual
Carregamento das baterias				
Limpeza do limpador				
Limpeza da escova/filtro				
Limpeza dos reservatórios, da grelha de aspiração com bóia e controlo da junta da tampa				
Controlo e substituição das borrachas do limpador				
Limpeza do filtro da solução detergente				
Controlo do nível do líquido das baterias WET				
Controlo ou substituição dos carvões do motor da escova/porta-filtro				(1)
Controlo ou substituição dos carvões do motor do sistema de aspiração				(1)

(1) Manutenção de competência de um Centro de assistência autorizado Advance.

CARREGAMENTO DAS BATERIAS

**NOTA**

Carregue as baterias quando o led amarelo (45) ou vermelho (46) se acender ou no fim de cada trabalho.

**ADVERTÊNCIA!**

Manter as baterias carregadas aumenta a duração da vida útil das mesmas.

**ADVERTÊNCIA!**

Quando as baterias estão descarregadas, carregue logo que possível, dado que este estado provoca uma redução da vida das mesmas. Controle a carga das baterias pelo menos uma vez por semana.

**ADVERTÊNCIA!**

Para o carregamento das baterias com carregador de baterias interno, utilize um carregador de baterias adequado para o tipo de bateria instalado.

**ATENÇÃO!**

Durante a recarga das baterias WET, é produzido gás hidrogénio altamente explosivo. Carregue somente em áreas bem ventiladas e longe de chamas livres. Não fume durante o carregamento das baterias.

Não volte instalar o reservatório da água de recuperação, até que o ciclo de carregamento das baterias esteja concluído.

**ATENÇÃO!**

Durante o carregamento das baterias WET, ter muito atenção às eventuais fugas do líquido das baterias. Este líquido é corrosivo. Se entrar em contacto com a pele ou os olhos, lave com muita água e consulte um médico.

1. Coloque a máquina na área designada para o carregamento das baterias.
2. Prima os interruptores (41 e 42) para desligar a máquina.
3. Somente para baterias WET:
 - Retire o reservatório da água de recuperação como indicado no capítulo "Utilização". Controle o nível do electrólito das baterias; se necessário, reponha o nível através das tampas.
 - Deixe todas as tampas das baterias abertas para o próximo carregamento.
 - Se for necessário, limpe a superfície superior das baterias.
4. Ligue o cabo (4) do carregador de baterias à rede eléctrica [a tensão e a frequência de rede devem ser iguais aos valores correspondentes do carregador de baterias, indicados na placa de número de série (29) da máquina]. Quando o carregador de baterias está ligado à rede eléctrica, todas as funções da máquina são desactivadas automaticamente. O indicador luminoso (52) aceso com luz fixa no painel de controlo do carregador de baterias indica que o carregador de baterias está a carregar as baterias.
5. Quando o indicador luminoso verde (50) se acende, o ciclo de carga das baterias terminou.
6. Ao terminar do ciclo de carga, desligue o cabo (4) do carregador de baterias da rede eléctrica e enrole-o no suporte específico (5).
7. (Somente para baterias WET): volte a instalar o reservatório de água de recuperação.

**NOTA**

Para mais informações sobre o funcionamento do carregador de bateria (48), consulte o Manual específico.

LIMPEZA DO LIMPADOR**NOTA**

Para obter uma boa secagem, o limpador deve estar limpo e com as borrachas em boas condições.

**ADVERTÊNCIA!**

Durante a limpeza do limpador, aconselha-se o uso de luvas de trabalho devido à possível presença de detritos cortantes.

1. Coloque a máquina num pavimento plano.
2. Verifique se os interruptores (41 e 42) estão na posição "0".
3. Abaixar o limpador (21) com a alavanca (7).
4. Solte os volantes (22) e remova o limpador (21).
5. Desligue o tubo de aspiração (10) do limpador.
6. Lave e limpe o limpador (Fig. 6). Em particular, limpe as sujidades e detritos dos compartimentos de transporte (A) e do orifício de aspiração (B). Verifique que a borracha dianteira (C) e a borracha traseira (D) estejam em bom estado e não apresentam cortes ou golpes, caso contrário deve substituí-las (veja o procedimento no parágrafo seguinte).
7. Monte o limpador na ordem inversa em relação à desmontagem.

CONTROLO E SUBSTITUIÇÃO DAS BORRACHAS DO LIMPADOR

1. Limpe o limpador (Fig. 6) operando como indicado no parágrafo anterior.
 2. Controle que o bordo (E) da borracha dianteira (C) e o bordo (F) da borracha traseira (D) apoiem ao mesmo tempo num plano de apoio, em toda a extensão, caso contrário regule-as na altura como descrito a seguir:
 - Remova o tirante (G), desengate as retenções (M) e regule a borracha traseira (D), depois engate as retenções e instale o tirante.
 - Desaperte os volantes (I) e regule a borracha dianteira (C), em seguida, aperte os volantes.
 3. Verifique que a borracha dianteira (C) e a borracha traseira (D) estão em bom estado e não apresentam cortes ou golpes, caso contrário deve substituí-las, como descrito a seguir. Controle também que a borracha traseira não tem a aresta dianteira (J) gasta; caso contrário, vire a própria borracha, de modo a trocar uma aresta pela outra se esta ainda estiver em bom estado. Se também as outras arestas estiverem gastas, substitua a borracha, do seguinte modo:
 - Remova o tirante (G), desengate as retenções (M) e remova a fita de fixação (K), depois substitua/vire a borracha traseira (D).
 - Monte a borracha na ordem inversa em relação à desmontagem.
 - Desaparafuse os volantes (I) e remova a fita de fixação (L) e, em seguida, substitua a borracha dianteira (C).
 - Monte a borracha na ordem inversa em relação à desmontagem.
- Após a substituição (ou inversão) das borrachas, regule a altura, como descrito no ponto anterior.
4. Ligue o tubo de aspiração (10) do limpador.
 5. Monte o limpador (21) e aperte os volantes (22).
 6. Se for necessário, regule o volante de regulação do equilíbrio (23) do limpador.

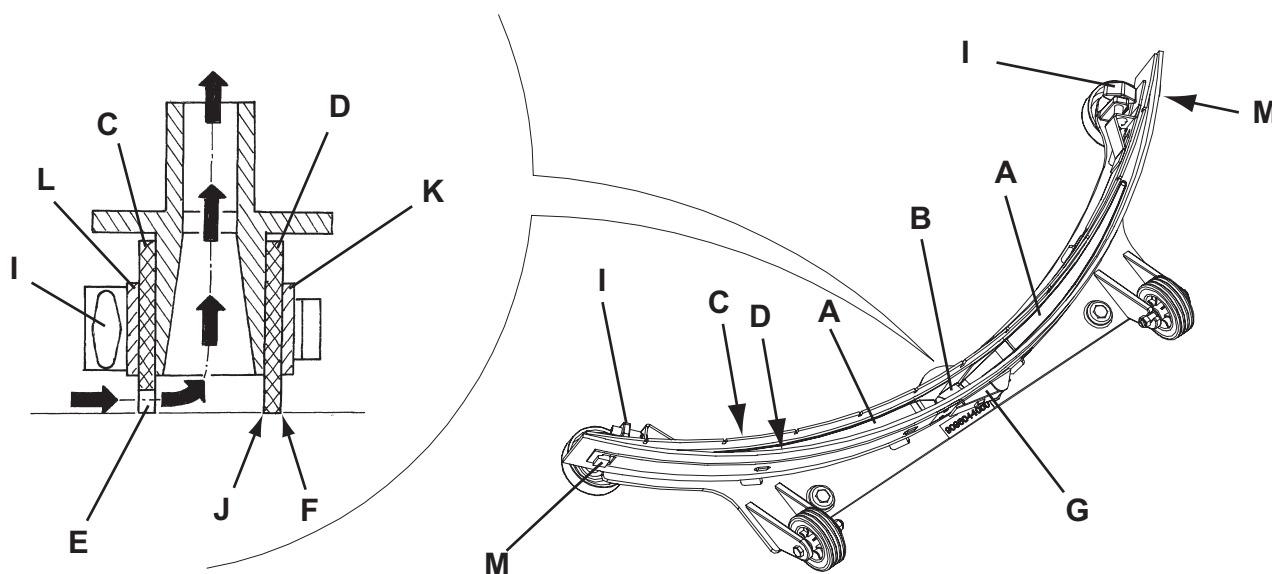


Figura 6

P100666

LIMPEZA DA ESCOVA



ADVERTÊNCIA!

Durante a limpeza da escova/feltro, aconselha-se o uso de luvas de trabalho devido à possível presença de detritos cortantes.

1. Coloque a máquina num pavimento plano.
2. Verifique se os interruptores (41 e 42) estão na posição "0".
3. Remova a escova/porta-feltro do seguinte modo:
 - Com a cabeça (13) levantada, pegue com as mãos na escova/porta-feltro (A, Fig. 7) e rode-a primeiro no sentido contrário ao da rotação (B) e em seguida no sentido de rotação (C) para desengatar.
4. Limpe e lave a escova/feltro com água e detergente.
5. Controle que as cerdas da escova estejam íntegras e não excessivamente desgastadas, caso contrário substitua-a.
6. Verifique que o feltro não esteja excessivamente gasto; se necessário, substitua-o.

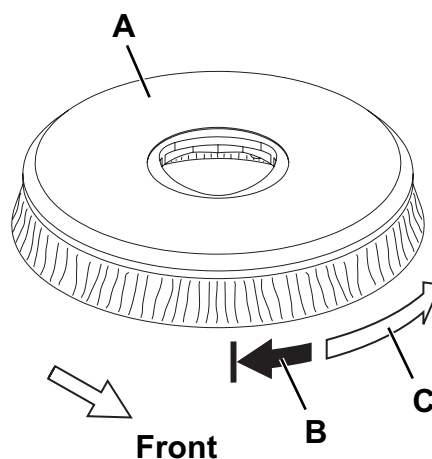


Figura 7

P100667

LIMPEZA DOS RESERVATÓRIOS E DA GRELHA DE ASPIRAÇÃO

1. Leve a máquina para a zona de despejo designada.
2. Verifique se os interruptores (41 e 42) estão na posição "0" e desligue o conector da bateria (8).
3. Descarregue a água dos reservatórios (15 e 16) através dos tubos de descarga (11) e da mangueira (12).
4. Abra a tampa (17), limpe e lave a tampa, os reservatórios e a grelha de aspiração (30) com água limpa.
5. Se necessário, retire a grelha (A, Fig. 8), limpe-a com cuidado e volte a instalá-la.
6. Verifique o estado da junta (B) da tampa do reservatório da água de recuperação.



NOTA

A junta (B) permite a formação de depressão no reservatório, necessária para a aspiração da água de recuperação.

Substitua, se for necessário, a junta (B) após tê-la tirado da própria sede. Durante a montagem da nova junta, coloque a junta (C) na zona lateral indicada na figura.

7. Verifique que também toda a superfície no perímetro (D) de apoio da junta (B) esteja em bom estado e adequada para a vedação da própria junta.
8. Feche a tampa do reservatório de água de recuperação (17).

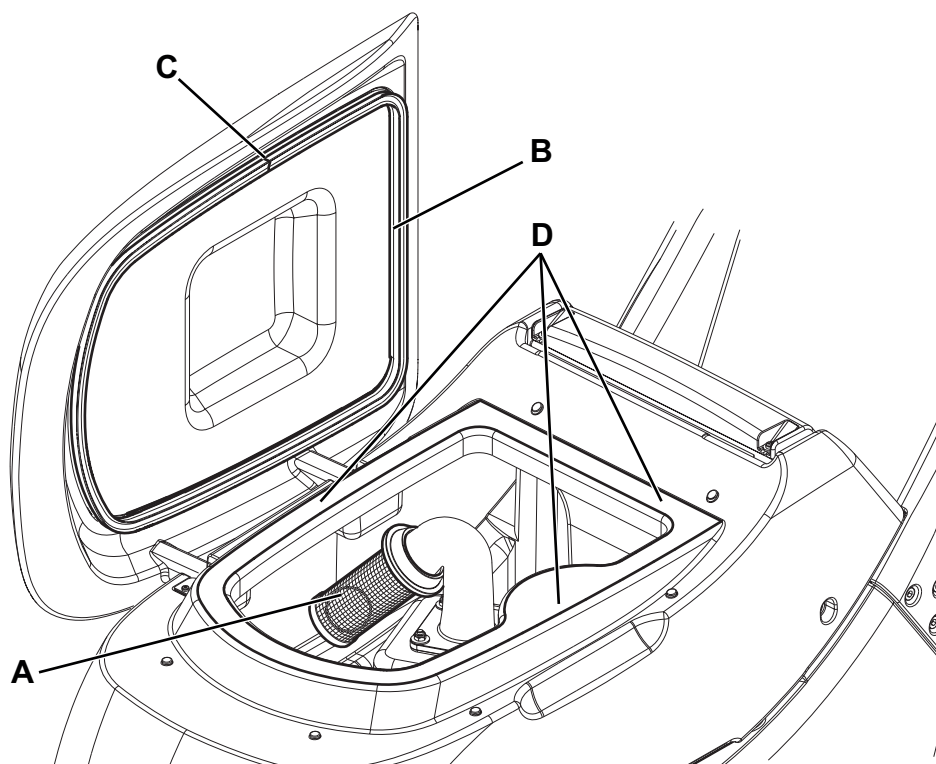


Figura 8

P100668

LIMPEZA DO FILTRO DA SOLUÇÃO DETERGENTE

1. Esvazie o reservatório da solução de detergente (15) operando como indicado no paragrafo específico.
2. Coloque a máquina num pavimento plano.
3. Verifique se os interruptores (41 e 42) estão na posição "0" e desligue o conector da bateria (8).
4. Desenrosque a tampa transparente (A, Fig. 9), retire a junta (B) e a rede filtrante (C). Limpe e monte-os no suporte (D).



NOTA

Posicionar correctamente a junta (B) e a rede filtrante (C) na sede da tampa (A) e do suporte (D).

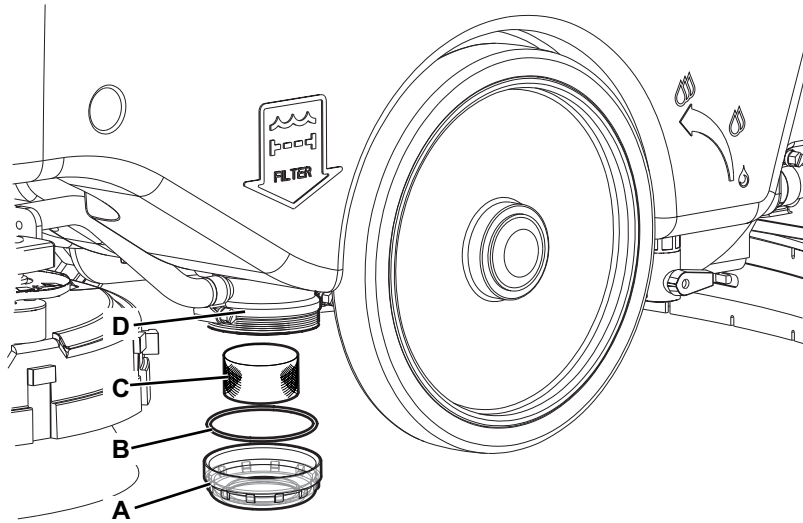
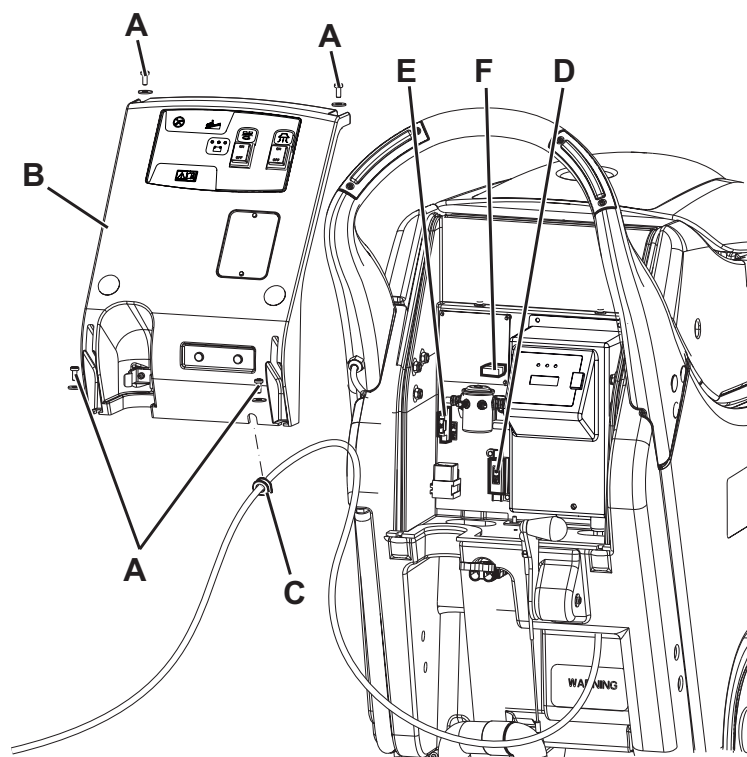


Figura 9

P100669

CONTROLO/SUBSTITUIÇÃO DOS FUSÍVEIS

1. Desligue o conector (8) das baterias.
2. Afaste o tubo de descarga da água de recuperação (11).
3. Se estiver presente, remova o cabo do carregador de baterias do suporte (5).
4. Remova os parafusos (A, Fig. 10) e desloque o painel com cuidado (B) desengatando a borracha pequena (C) da sede específica do painel (B).
5. Controle/substitua os seguintes fusíveis:
 - (D) Fusível F1 (40 A), cabeça porta-escova
 - (E) Fusível F2 (30 A), sistema de aspiração
 - (F) Fusível F3 (5 A), placa electrónica
6. Execute na ordem contrária os pontos 1-4.

**Figura 10**

P100670

RESOLUÇÃO DE PROBLEMAS

Problema	Causa provável	Solução
Os motores não funcionam; nenhum led se acende.	Conector baterias desligado.	Ligue-o.
	Baterias completamente descarregadas.	Carregue as baterias.
	O interruptor (41) está avariado.	Substituir. (*)
Os led (43) piscam ao mesmo tempo.	Motor da cabeça da escova em sobrecarga.	Utilizar uma escova menos agressiva adequada para o pavimento tratado.
	Presença de corpos estranhos (fios presos, etc.) que podem parar a rotação da escova.	Limpar o cubo da escova.
A escova não funciona.	O fusível (F1) está fundido.	Substituir.
	O botão (47) está avariado.	Substituir. (*)
Não é possível ligar o motor do sistema de aspiração.	O fusível (F2) está fundido.	Substituir.
	O interruptor (42) está avariado.	Substituir. (*)
Aspiração da água de recuperação insuficiente.	Reservatório da água de recuperação cheio.	Esvazie o reservatório.
	Tubo flexível desligado do limpador.	Ligue-o.
	Grelha de aspiração entupida ou bóia presa no fecho.	Limpe a grelha ou controle a bóia.
	Limpador sujo ou borrachas do limpador desgastadas ou danificadas.	Limpe e controle o limpador.
Fluxo da solução detergente para as escovas insuficiente.	Tampa do reservatório mal fechado ou junta danificada.	Feche correctamente a tampa ou substitua a junta.
	A electroválvula da solução detergente está avariada.	Substituir. (*)
Riscos causados pelo limpador.	Filtro da solução detergente sujo.	Limpe o filtro.
	Detritos presentes sob as borrachas do limpador.	Remova os detritos.
	Borrachas do limpador gastas, fissuradas ou com lacerações.	Substitua as borrachas.
	Limpador não regulado com o volante.	Regule-o.

(*) Manutenção de competência de um Centro de assistência autorizado Advance.



NOTA

A máquina não pode funcionar sem o carregador de bateria.

Em caso de defeito no carregador de baterias, contacte um Centro de assistência autorizado.

Para mais informações, contacte os Centros de assistência da Advance, que possuem o Manual de assistência.

FIM DE VIDA

Proceda ao depósito da máquina junto de um demolidor autorizado.

Antes de proceder ao depósito da máquina, é necessário remover e separar os seguintes materiais e enviá-los para o sistema de recolha separada em conformidade com a norma ambiental em vigor:

- Bateria
- Escovas/feltros
- Tubos e peças em material plástico
- Partes eléctricas e electrónicas (*)

(*) Em particular, para o depósito das partes eléctricas e electrónicas, dirija-se a um centro da Advance local.



Advance

14600 21st Avenue North
Plymouth, MN 55447-3408
www.advance-us.com
Phone: 800-989-2235
Fax: 800-989-6566
©2014 Nilfisk-Advance, Inc.