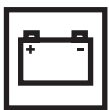
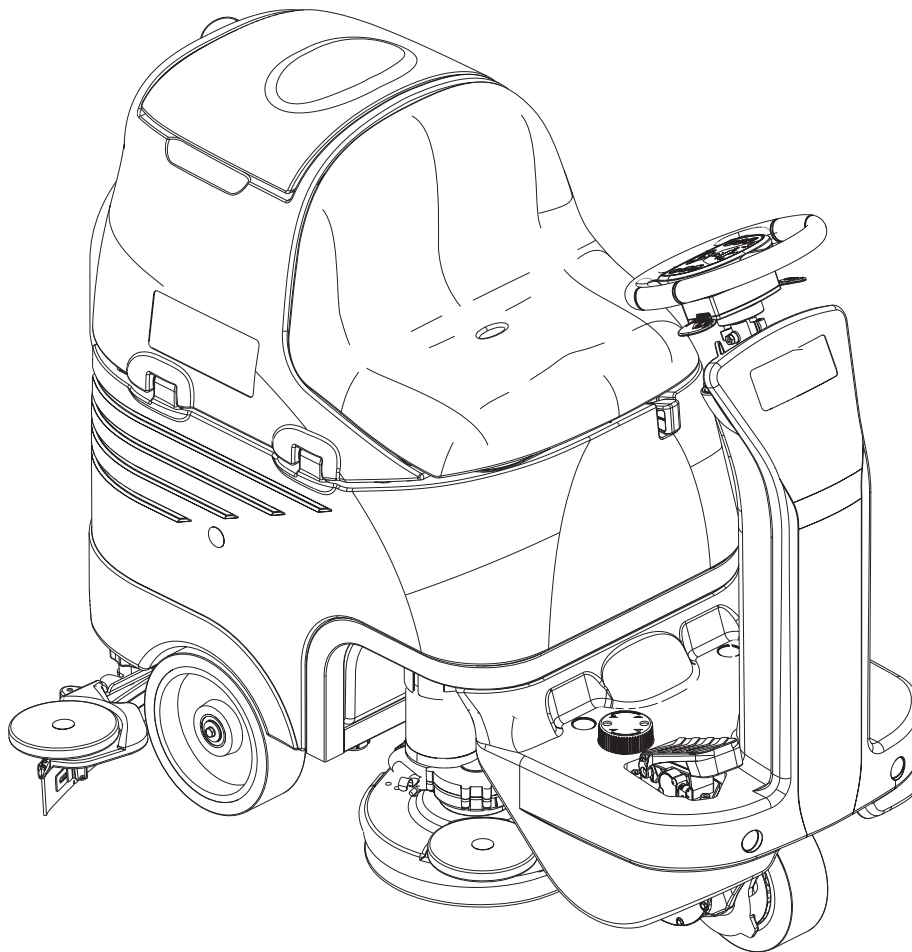


# SC3000

## Parts list

10/2010 Revised 03/2018  
(G)  
FORM NO. 9098828000

ecoflex™



Model No.:  
9087267020



**TABLE OF CONTENTS**

GENERAL VIEW ..... 2  
 SOLUTION TANK ..... 4  
 RECOVERY TANK ..... 6  
 COLUMN SYSTEM ..... 8  
 STEERING ASSY ..... 10  
 STEERING WHEEL SUPP ASSY ..... 12  
 DRIVE WHEEL ASSY ..... 14  
 CHASSIS SYSTEM ..... 16  
 SOLUTION SYSTEM ..... 18  
 ECOFLEX™ ..... 20  
 SQUEEGEE RAISING ASSY ..... 22  
 SQUEEGEE SYSTEMS ..... 24  
 MAGIC DECK ASSEMBLY ..... 26  
 BRUSHES DECK SYSTEM ..... 28  
 ELECTRICAL COMPONENTS ..... 30  
 BATTERY CHARGER ..... 32  
 MOP TRASH, BASKET ..... 34  
 FLASHING BEACON, NOISE REDUCTION, HOSE SUCTION HAND ..... 36  
 BRUSHES, BLADES ..... 38  
 WIRING DIAGRAM ..... 40  
 RECOMMENDED SPARE PARTS ..... 42  
 ACCESSORIES / OPTIONALS ..... 43

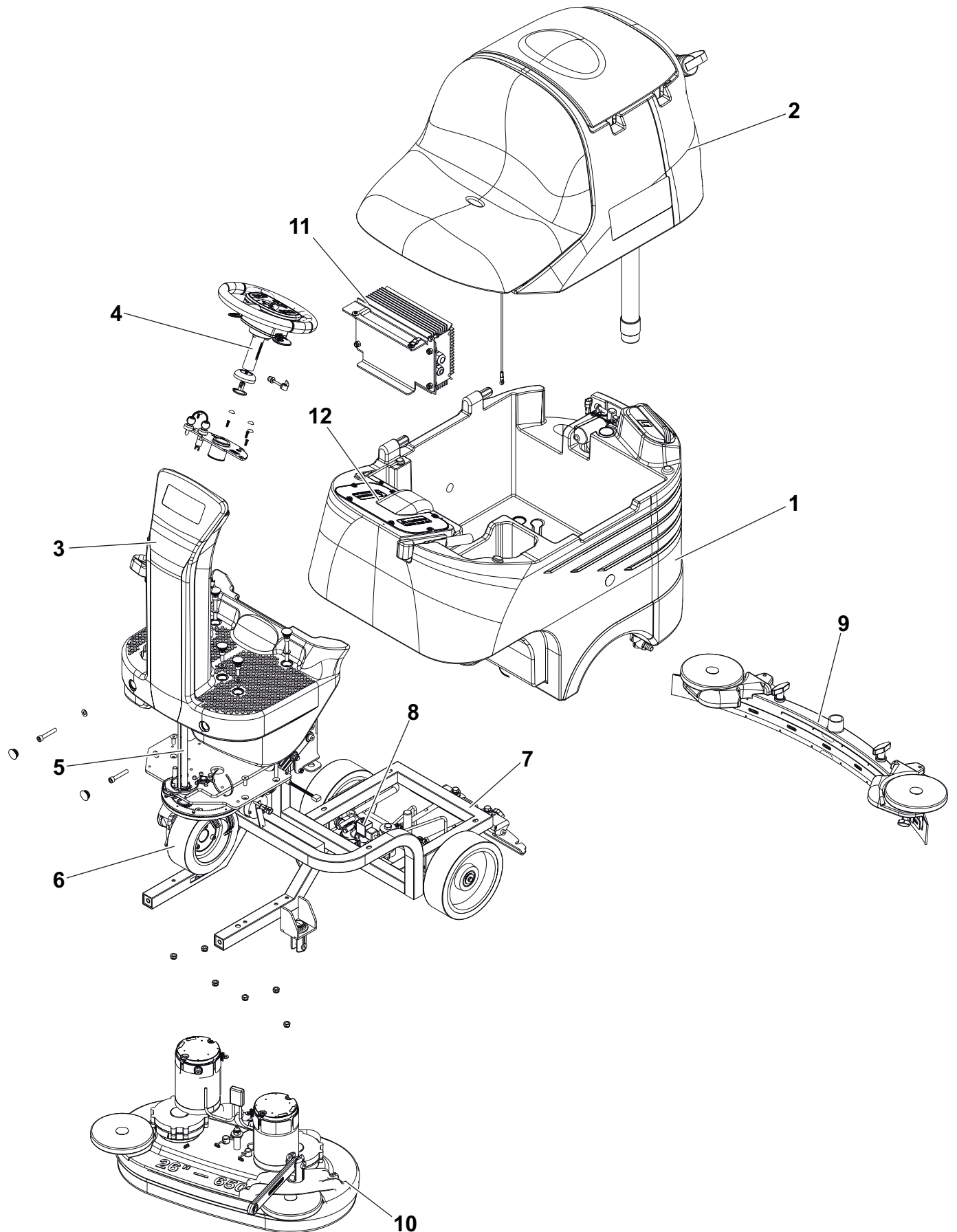
**WHEN ORDERING PARTS**

- Use the part numbers from the "REF. NO." columns in this parts list. If the "REF. NO." column is blank; look under the "KIT" column to identify which kit contains the part in question, then use the kit callout, for example "K1", to find the "REF. NO." for that kit.
- Specify the model number and serial number of the machine.
- Use the space below to record the model number and serial number for future reference.

Model No.: ..... Serial No.: .....

- \* = Optional
- # = Modified item No. or New item No.
- [ ] = Not shown

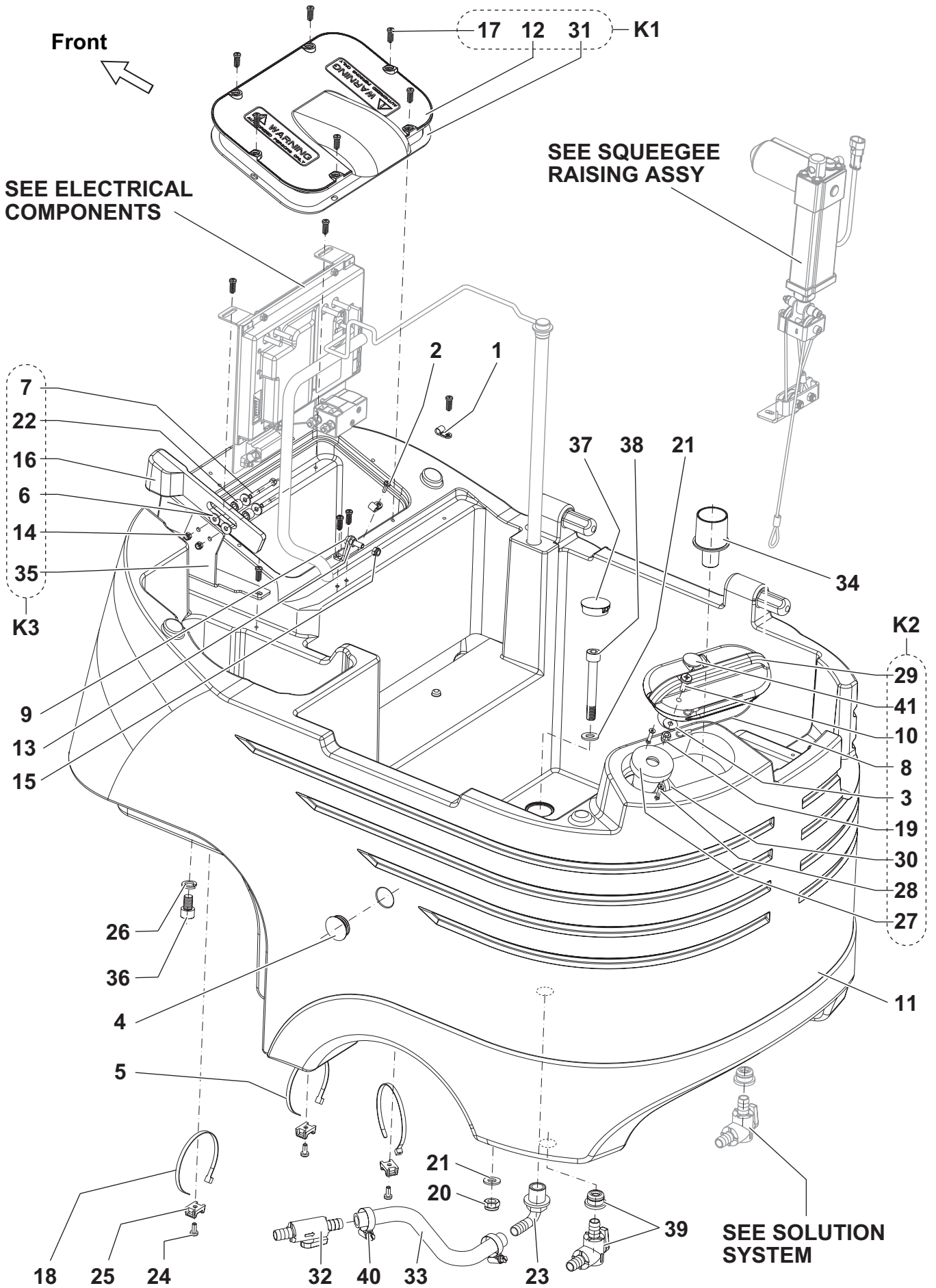
## GENERAL VIEW



**GENERAL VIEW**

KIT	ITEM	REF. NO.	QTY	DESCRIPTION	NOTE
	1	-	1	SOLUTION TANK	
	2	-	1	RECOVERY TANK	
	3	-	1	COLUMN SYSTEM	
	4	-	1	STEERING ASSY	
	5	-	1	STEERING WHEEL SUPPORT ASSEMBLY	
	6	-	1	DRIVE WHEEL ASSEMBLY	
	7	-	1	CHASSIS SYSTEM	
	8	-	1	SOLUTION SYSTEM	
	9	-	1	SQUEEGEE SYSTEMS	
	10	-	1	BRUSHES DECK SYSTEM	
	11	-	1	BATTERY CHARGER	
	12	-	1	ELECTRICAL COMPONENTS	

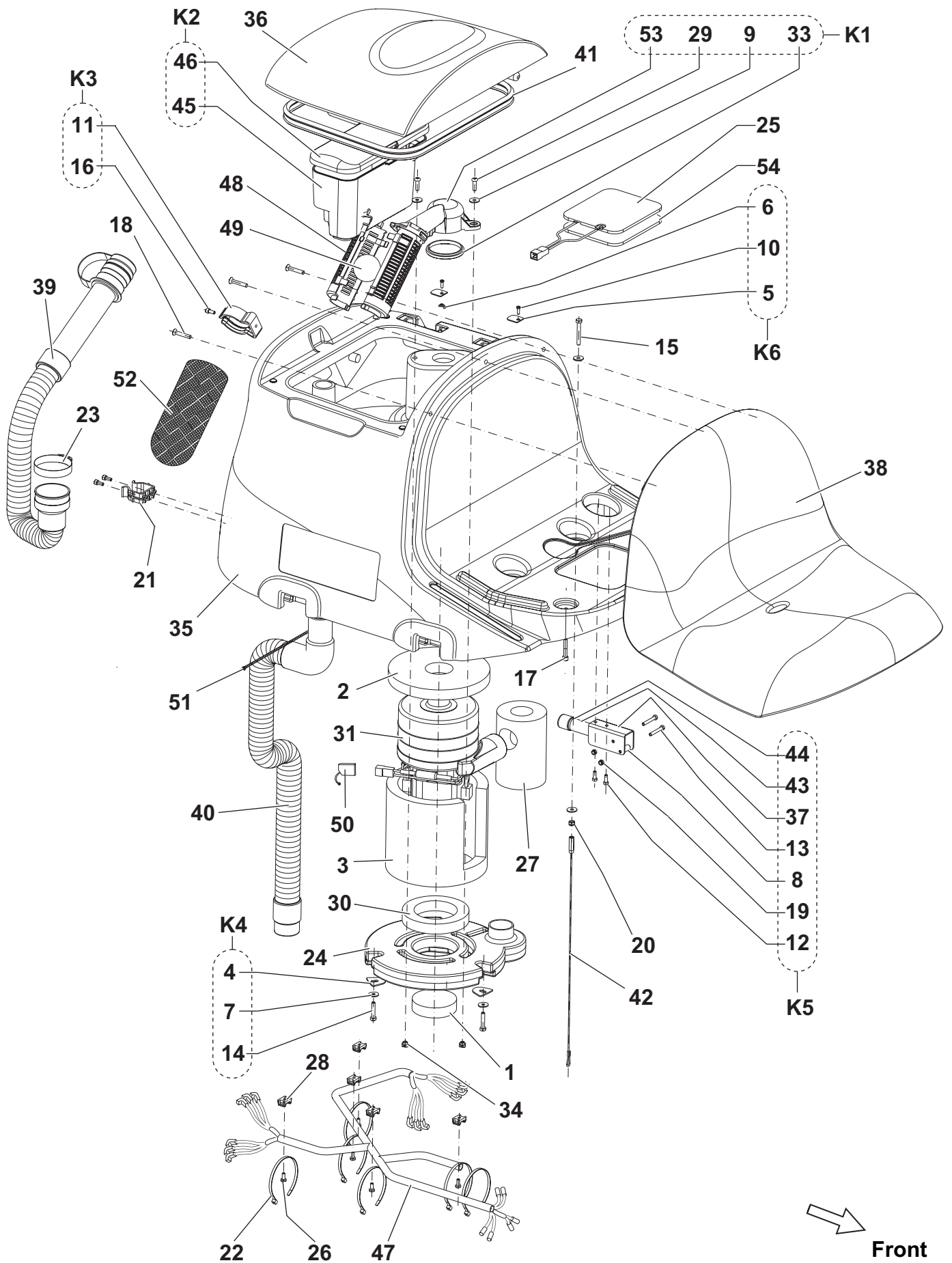
SOLUTION TANK



**SOLUTION TANK**

KIT	ITEM	REF. NO.	QTY	DESCRIPTION	NOTE
K4	1		2	CLAMP D.6 WHITE	
K4	2		1	SCREW 3.9X13 UNI6954	
K2	3		1	WASHER, FLAT 5x15 XL SS	
	4#	33023302	2	CAP BLACK SIP	
K4	5		1	CLAMP 290X4.8	
K3	6		4	WASHER 5X15 UNI6593	
K3	7		2	SCREW M5X45 UNI5737	
K2	8		1	CABLE OPENING CAP	
K4	9		1	SCREW M6X20 UNI5739	
K2	10		1	SCR, PAN PHIL M5x16 SS	
	11#	9100001582	1	TANK SOLUTION GREY SIP	
K1	12		1	COVER ELECTRIC COMPONENTS	
K4	13		1	NUT HEX M6 UNI5589	
K3	14		2	NUT SELF L. M5 UNI7474	
K4	15		1	NUT SELF L. M6 UNI7474	
K3	16		1	LEVER BATTERY CONNECTOR	
K1-4	17		11	SCREW CYL HD 5X16 SELF L.	
K4	18		2	CLAMP BLACK 4,8x200	
K2	19		1	NUT, HEX METRIC M5 SS	
K4	20		4	NUT SELF L. M10 UNI7474	
K4	21		8	WASHER M10 UNI6592	
K3	22		1	SPACER 6,5X12X10	
	23	909 6087 000	3	ELBOW CURVED 90. M 1/2	
K4	24		3	SCREW M5X12 UNI7687	
K4	25		3	HOLDER.FLAT TIE	
K4	26		2	WASHER M10 UNI1751B	
K2	27#	9100000703	1	HOSE FILLING SIP	TSB-FC-2016-020
K2	28		2	SCREW 3.9X22 UNI6955 SS	
K2	29		1	CAP SOLUTION TANK	
K2	30		1	SUPPORT HOSE FILLING	
K1	31		1	GASKET ELECTR.COVER	
	32	9098173000	1	VALVE 1/2-1/2	
	33	9098175000	1	HOSE PVC W/SPIRAL D.12X18 L.270MM SIP	
	34	9098224000	1	MUFF FRESH WATER	
K3	35		1	BRACKET SUPPORT BATTERY	
K4	36		2	SCREW M10X16 UNI5931	
K4	37		4	CAP BLACK	
K4	38		4	SCREW M10X75 UNI5931	
	39	9097626000	1	VALVE BALL ELBOW D.13 KIT	
K4	40		2	CLAMP 09/12-22	
K2	41		1	SCREW CAP 4,8mm	
	K1	9098707000	1	COVER ELECTRONIC CARD KIT	
	K2	9098709000	1	CAP SOLUTION TANK KIT	
	K3	9098710000	1	LEVER F BATTERY CONNECTOR DEACTIV. KIT	
	[K4]	9098711000	1	HARDWARE SOLUTION TANK KIT	

# RECOVERY TANK

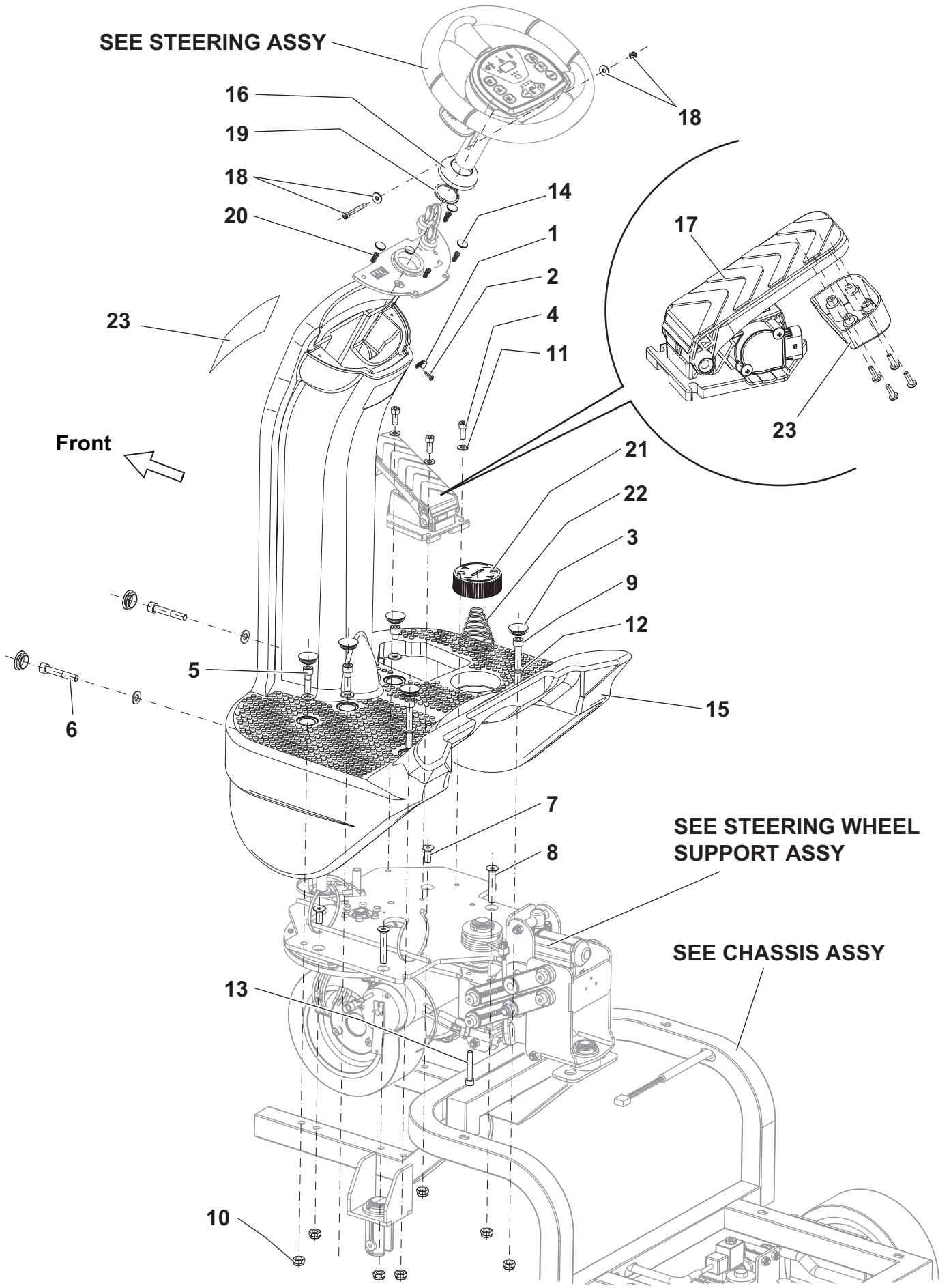




**RECOVERY TANK**

KIT	ITEM	REF. NO.	QTY	DESCRIPTION	NOTE
	1	909 6672 000	1	FILTER	
	2	909 6489 000	1	GASKET VACUUM MOTOR	
	3	909 6491 000	1	PANEL ACOUSTIC INSULATION	
K4	4		3	PLATE VACUUM COVER	
K6	5		2	PLATE TANK COVER	
K6	6		1	BUSH FLANGED	
K4-7	7		5	WASHER 6X18 UNI6592	
K5	8		1	SPACER 7X10X19	
K1	9		2	WASHER 6X18X1.5 UNI6593	
K6	10		2	SCREW CYL HD SELFL 3.9X12	
K3	11		1	CLAMP.HOSE D.50	
K5	12		2	SCREW M5X14 UNI5739	
K5	13		2	SCREW M5X35 UNI5739	
K4	14		3	SCREW M6X30 UNI5739	
K7	15		1	SCREW M6X45 UNI5739	
K3	16		3	SCREW M5X12 UNI5931 SS	
K7	17		2	SCREW M6X35 UNI5931	
K7	18		3	SCREW M6X35 UNI5933	
K5	19		2	NUT SELF L. M5 UNI7474	
K7	20		1	NUT SELF L. M6 UNI7474	
	21#	9100001164	1	CLAMP HOSE D.40 BLACK KIT	
K7	22		6	CLAMP BLACK 4,8x200	
	23	146 0771 000	1	CLAMP	
	24#	9100001246	1	COVER VACUUM MOTOR SIP	
	25#	9100001152	1	MICROSWITCH SIP	
K7	26		5	SCREW M5X12 UNI7687	
	27	909 6442 000	1	HOSE FOAM INSULATING D.40X90 L.135MM	
K7	28		5	HOLDER.FLAT TIE	
K1	29		2	SCREW M6X20 ISO7380 SS	
	30	9097555000	1	GASKET VACUUM MOTOR	
	31	9099929000	1	MOTOR VACUUM 3ST 24V 420W SIP	
	<b>31*#</b>	<b>9100001706</b>	<b>1</b>	<b>HIGH POWER VAC 570W KIT</b>	(9100001707) INSTALLATION INSTRUCTIONS
K1	33		1	GASKET CAGE FLOAT	
K7	34		2	NUT JAW M6X6 INOX SS	
	35	9097801000	1	TANK RECOVERY RAL 7001	
	36	9097802000	1	COVER TANK RAL7001	
K5	37		1	SUPPORT SAFETY BRACKET TA	
	38	9097858000	1	SEAT	
	39#	9100001890	1	HOSE DRAIN STRECHAB. BLACK L.611MM SIP	
	40	9098169000	1	HOSE SUCTION SQUEEGEE 90 BK L.1100MM	
	41	9098172000	1	GASKET BULB RUBBER L.1235MM SIP	
	42	9098177000	1	CABLE SAFETY F TANK	
K5	43		1	BRACKET STOP TANK	
K5	44		1	CAP D.25 BLACK	
K2	45		1	TRAY DEBRIS	
K2	46		1	COVER TRAY DEBRIS	
	47	9098235000	1	HARNESS RECOVERY TANK	
	48#	9100000818	1	CAGE FLOAT HALF 2 PCS SET	
	49#	9100000817	1	BALL FLOATING SIP	
	50	9098716000	1	CARBON BRUSHES KIT 2 PCS	
	51	L08066000	1	TIE CABLE QUICK FASTENING L.320	
	<b>52*</b>	<b>909 5065 000</b>	<b>1</b>	<b>FILTER ANTIFOAMING</b>	
K1	53		1	CAGE FLOAT	
	54	9099210000	1	THICKNESS ADHESIVE	
K1#	9100001875		1	SUPPORT FLOAT KIT	
K2	9098712000		1	TRAY DEBRIS KIT	
K3	909 6380 000		1	CLAMP KIT	
K4	909 6877 000		1	HARDWARE MOTOR FIXING KIT	
K5	9098713000		1	BRACKET SAFETY KIT	
K6	9098714000		1	FIXING TANK KIT	
[K7]	9098715000		1	HARDWARE RECOVERY TANK KIT	

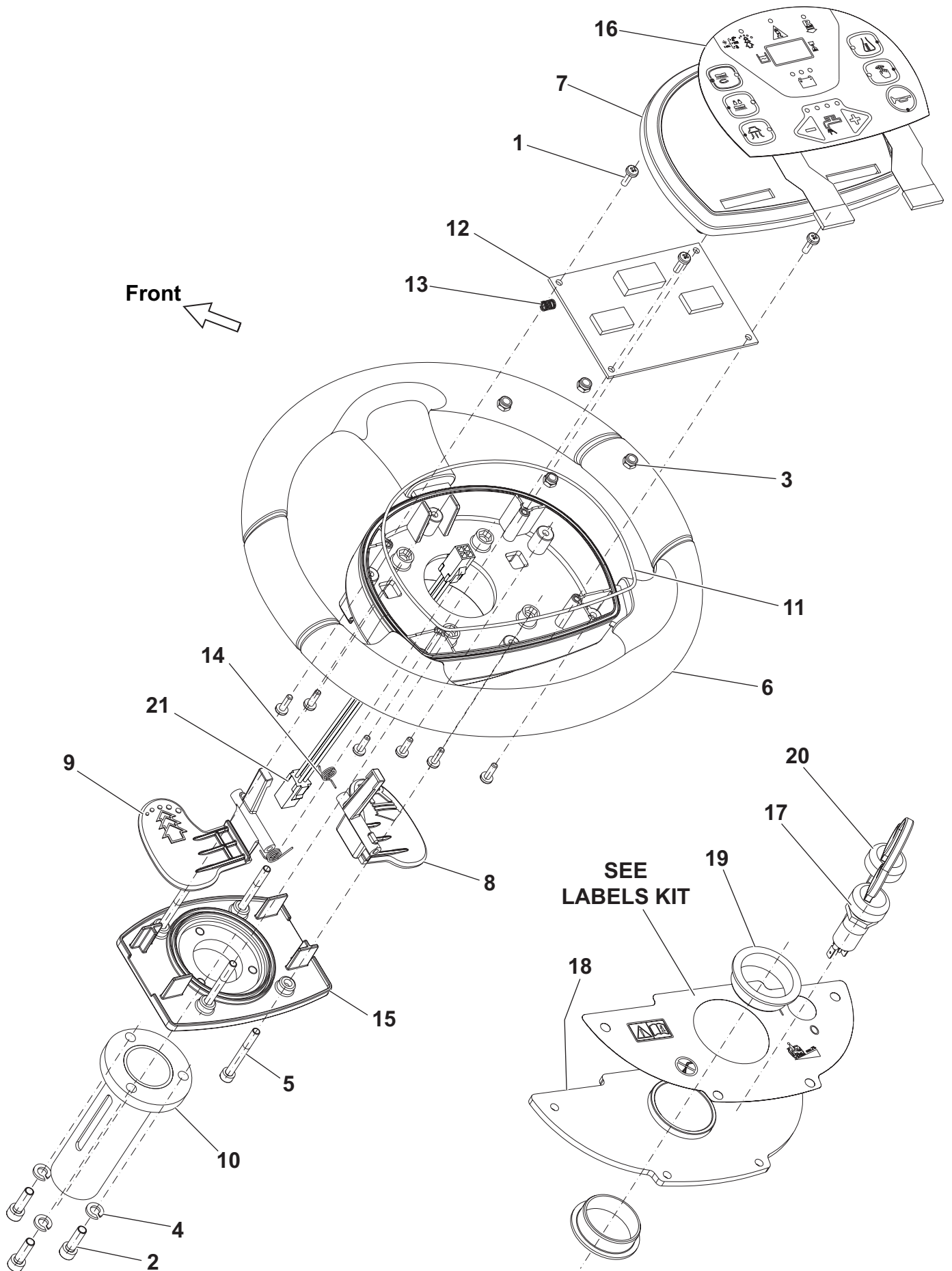
COLUMN SYSTEM



**COLUMN SYSTEM**

KIT	ITEM	REF. NO.	QTY	DESCRIPTION	NOTE
K1	1		1	CLAMP D.6 WHITE	
K1	2		1	SCREW 3.9X13 UNI6954	
K1	3		7	CAP. BLACK	
K1	4		3	SCREW M8X20 UNI5931	
K1	5		3	SCREW M10X25 UNI5931	
K1	6		2	SCREW M10X60 UNI5931	
K1	7		2	SCREW M10X25 UNI5933	
K1	8		2	SCREW M10X60 UNI5933	
K1	9		2	SCREW M10X75 UNI5931	
K1	10		7	NUT SELF L. M10 UNI7474	
K1	11		3	WASHER M8 UNI6592	
K1	12		7	WASHER M10 UNI6592	
K1	13		1	SCREW M8X50 UNI5931 THREA	
K1	14		4	CAP SCREW	
	15	9097805000	1	FOOTBOARD WITH COLUMN RAL7016	
	16	9097806000	1	PROTECTION STEERING RING	
	17#	9100001421	1	PEDAL SPEED CONTROL KIT	UNTIL S/N 3510160702621 TSB-FC-2015-030 (9100001439) INSTALLATION INSTRUCTIONS
	17#	9100001420	1	PEDAL SPEED CONTROL SIP	STARTING S/N 3510160702622 TSB-FC-2015-030
	18#	9100001171	1	HARDWARE STEERING WHEEL KIT	
K1	19		1	RING D 40 UNI7436	
K1	20		4	SCREW CYL HD 5X16 SELF L.	
	21	9097950000	1	FOOTREST	
	22	9097957000	1	SPRING FOOTREST	
	23	9099051000	1	LABELS KIT 26"D	
	23#	9100001052	1	STOPPER PEDAL SIP	TSB-FC-2015-030
	[K1]#	9100001448	1	HARDWARE STEERING COLUMN KIT	

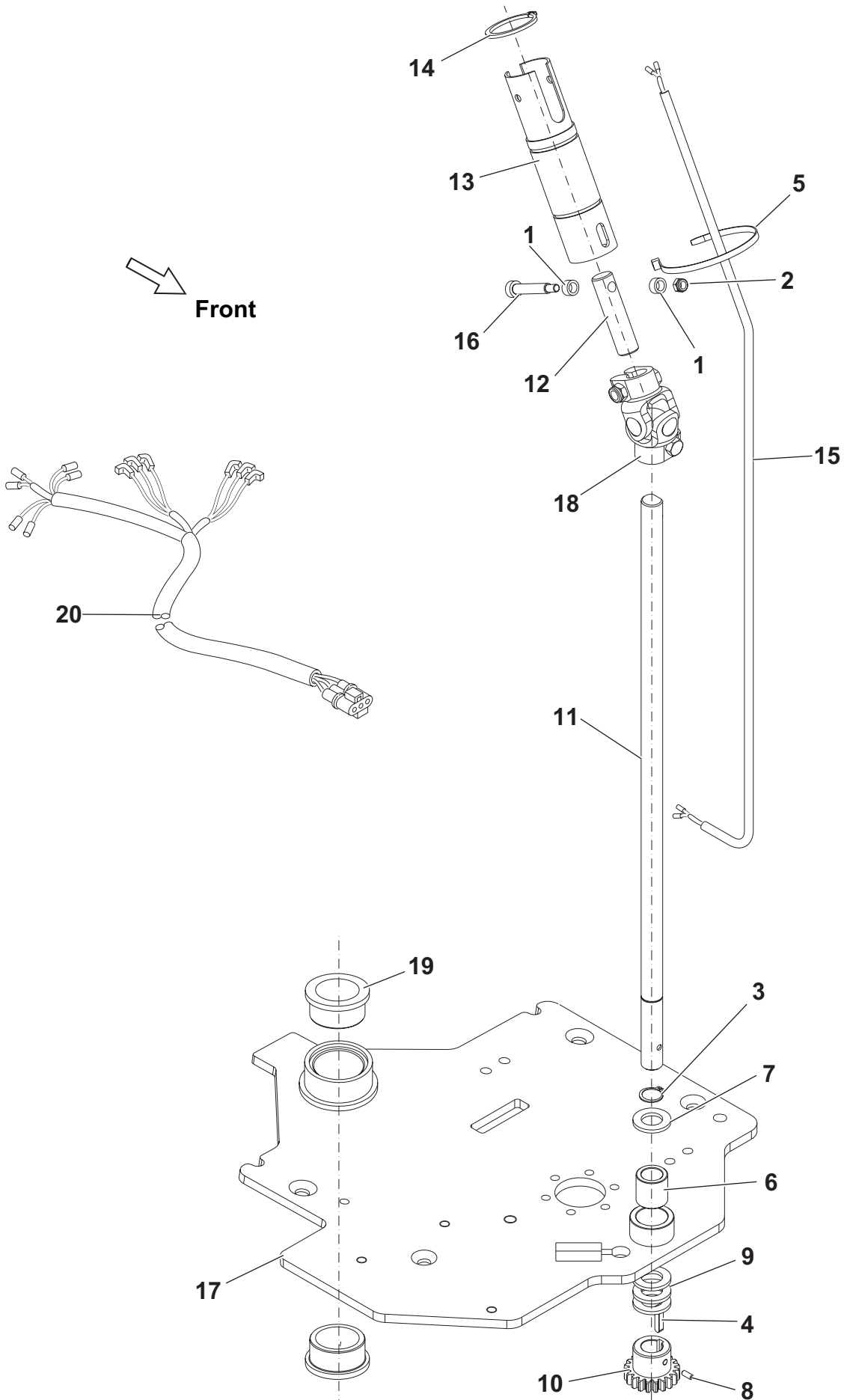
STEERING ASSY



**STEERING ASSY**

KIT	ITEM	REF. NO.	QTY	DESCRIPTION	NOTE
K1	1		10	SCREW 3.9X13 UNI6954	
K1	2		3	SCREW M6X20 UNI5931	
K1	3		4	NUT SELF L. M5 UNI7474	
K1	4		3	WASHER M6 UNI1751B	
K1	5		4	SCREW M5X45 UNI5931	
	6#	9100001082	1	WHEEL STEERING D.320X281 SIP	
	7	9097786000	1	COVER DRIVE WHEEL	
	8#	9100001083	1	LEVER RIGHT PA YELLOW SIP	
	9#	9100001084	1	LEVER LEFT PA BLACK SIP	
	10#	9100001086	1	TUBE ADJUST.STEERING WHEEL SIP	
	11#	9100001088	1	GASKET ROUND D.2 SIP	
	12#	9100000178	1	CARD ELECTRONIC FUNCTIONS SIP	
	13#	9100001157	1	SPRING MOVING BOTTON 10 PCS SET	
	14#	9100001158	1	SPRING TORSION FOR STEERING 10 PCS SET	
	15#	9100001089	1	COVER LOWER SIP	
	16	9097986000	1	DASHBOARD CONTROL PANEL	
	17#	9100001354	1	SWITCH IGNITION STARTER WITH CAP SIP	
	18	9097842000	1	PLATE FIXING STEERING WHEEL	
	19#	9100001085	2	BEARING FLANGE IGLIDUR GFM-4044-14 SIP	
	20	146 2887 000	1	KEY 2 PCS	
	21	9097792000	1	CABLE DASHBOARD EXTENSION	
[K1]		9098719000	1	HARDWARE STEERING WHEEL KIT	

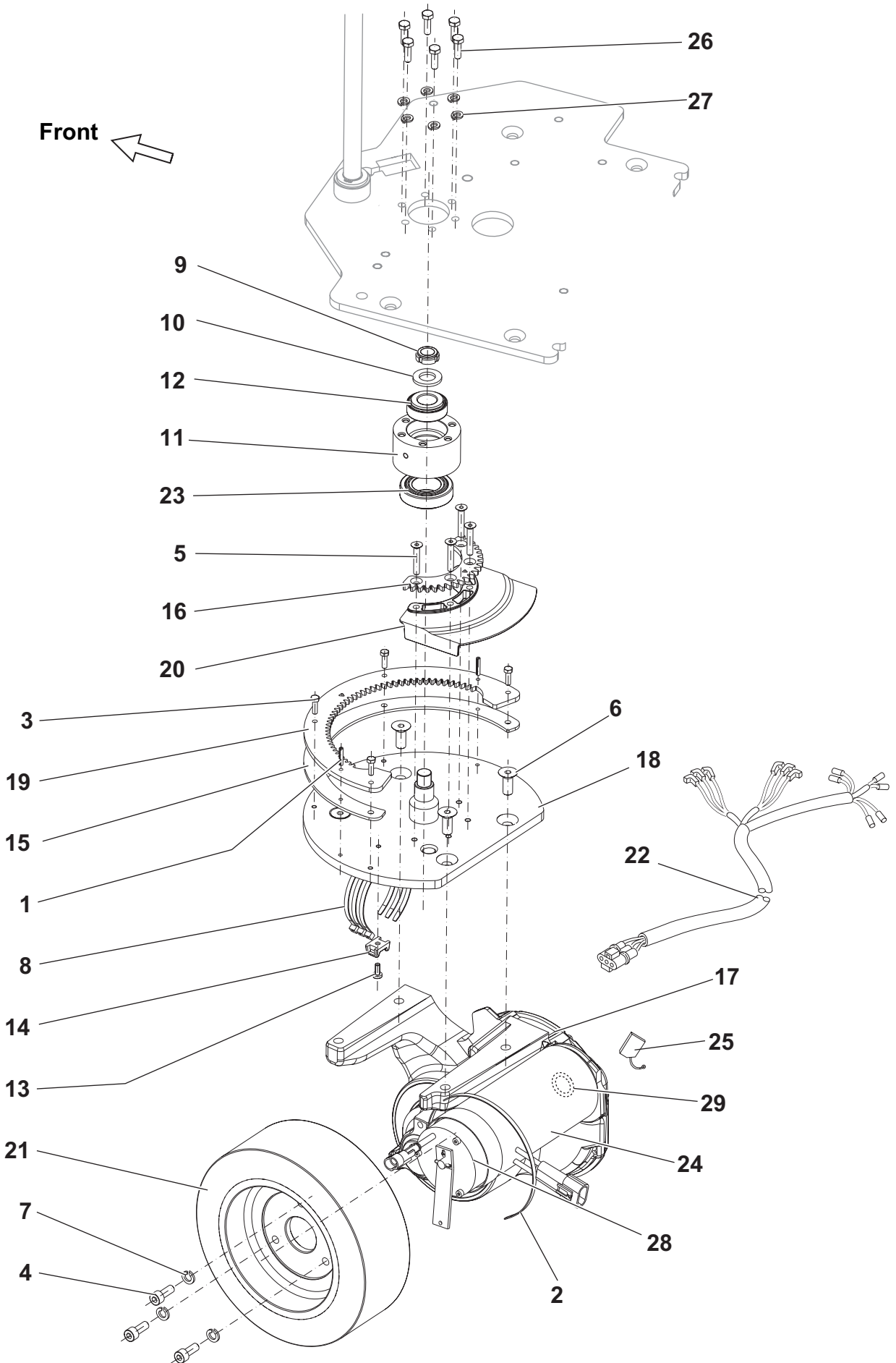
## STEERING WHEEL SUPP ASSY



**STEERING WHEEL SUPP ASSY**

KIT	ITEM	REF. NO.	QTY	DESCRIPTION	NOTE
K1	1		2	SPACER 8.1X12X6.5	
K1	2		1	NUT SELF L. M6 UNI7474	
K1	3		1	RING D 17 UNI7435	
	4#	1466146000	1	KEY 5X5X25 UNI6604A SIP	
K1	5		1	CLAMP BLACK 4,8x200	
K1	6		1	BUSH (KIT ITEM 21)	
K1	7		1	WASHER M16 UNI6592	
K1	8		1	SCREW GRUB M5X10 UNI5929	
K1	9		3	WASHER 16X30 UNI6592	
	10	909 5943 000	1	PINION T20 P40	
	11#	9100001701	1	SHAFT STEERING PHOS. SIP	
	12	9097844000	1	SHAFT STEERING	
	13#	9100001450	1	STEERING TUBE KIT	TSB IT 2011-076
K1	14		1	RING D 40 UNI7436	
	15	9098094000	1	HARNESS STEERING WHEEL	
	16	9098166000	1	SCREW SHOUL 8X40 M6 GEOM. 321A ISO7379	
	17#	9100001851	1	PLATE STEERING SUPPORT KIT	
	18#	1466319000	1	UNIVERSAL D.17 SIP	
	19	9098216000	1	BEARING FLANGE IGLIDUR MFM-3038-020	
	20#	9100001436	1	HARNESS FOOTBOARD DISC DECK SIP	UNTIL S/N 3510160702621 TSB-FC-2015-030
	20#	9100001429	1	HARNESS FOOTBOARD DISC DECK SIP	STARTING S/N 3510160702622 TSB-FC-2015-030
	[K1]#	9100001449	1	HARDWARE STEERING SUPPORT KIT	

DRIVE WHEEL ASSY

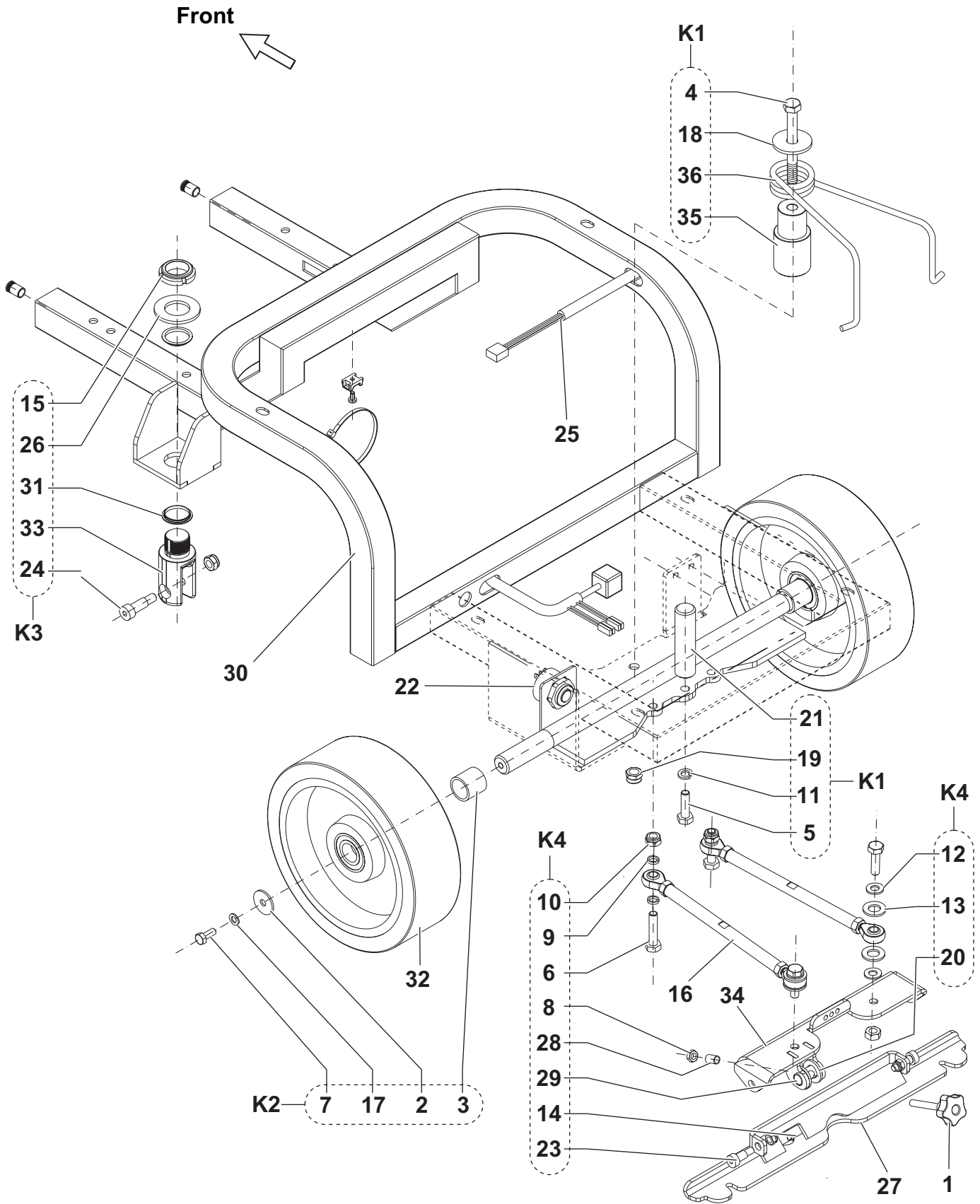




**DRIVE WHEEL ASSY**

KIT	ITEM	REF. NO.	QTY	DESCRIPTION	NOTE
K1	1		2	PIN 4X20 UNI6873	
K1	2		1	CLAMP 4.8X430 WHITE	
K1	3		4	SCREW M5X16 UNI5739	
K1	4		3	SCREW M8X20 UNI5931	
K1	5		4	SCREW M6X35 UNI5933	
K1	6		4	SCREW M10X25 UNI5933	
K1	7		3	WASHER M8 UNI1751B	
K1	8		3	CLAMP BLACK 4,8x200	
K1	9		1	NUT RING	
K1	10		1	WASHER M16 UNI6592	
	11#	9100001734	1	SUPPORT BALL BEARING PHOS. SIP	
	12#	1467639000	1	BEARING TAPER ROLLER 32004X SIP	
K1	13		1	SCREW M5X12 UNI7687	
K1	14		1	HOLDER.FLAT TIE	
	15	9097807000	1	SPACER CROWN STEERING	
	16	9097809000	1	GEAR MAIN Z45	
	17	9100000074	1	MOTOR WHEEL 300W 24V KIT	
	18#	9100002206	1	BRACKET STEERING GALV. KIT	SEE TSB-FC-2016-015
	19	9097841000	1	GEAR SPUR T100	
	20	9098165000	1	PROTECTION DRIVE WHEEL WIRING	
	21	9098407000	1	WHEEL DRIVE	
	22	9098430000	1	HARNESS WHEEL MOTOR	
	23#	1467636000	1	BEARING TAPER ROLLER 32006 SIP	
	24#	9100002163	1	MOTOR ELECTRIC 300W 24V KIT	
	25	9098627000	1	CARBON BRUSHES KIT 2 PCS	
K1	26		6	SCREW M6X20 UNI5739	
K1	27		6	WASHER M6 UNI1751B	
	28	9098626000	1	BRAKE ELECTRIC.RELEASED	
	29	9098800000	1	OIL SEAL 15X32X7	
	[K1]	9098721000	1	HARDWARE DRIVE WHEEL KIT	

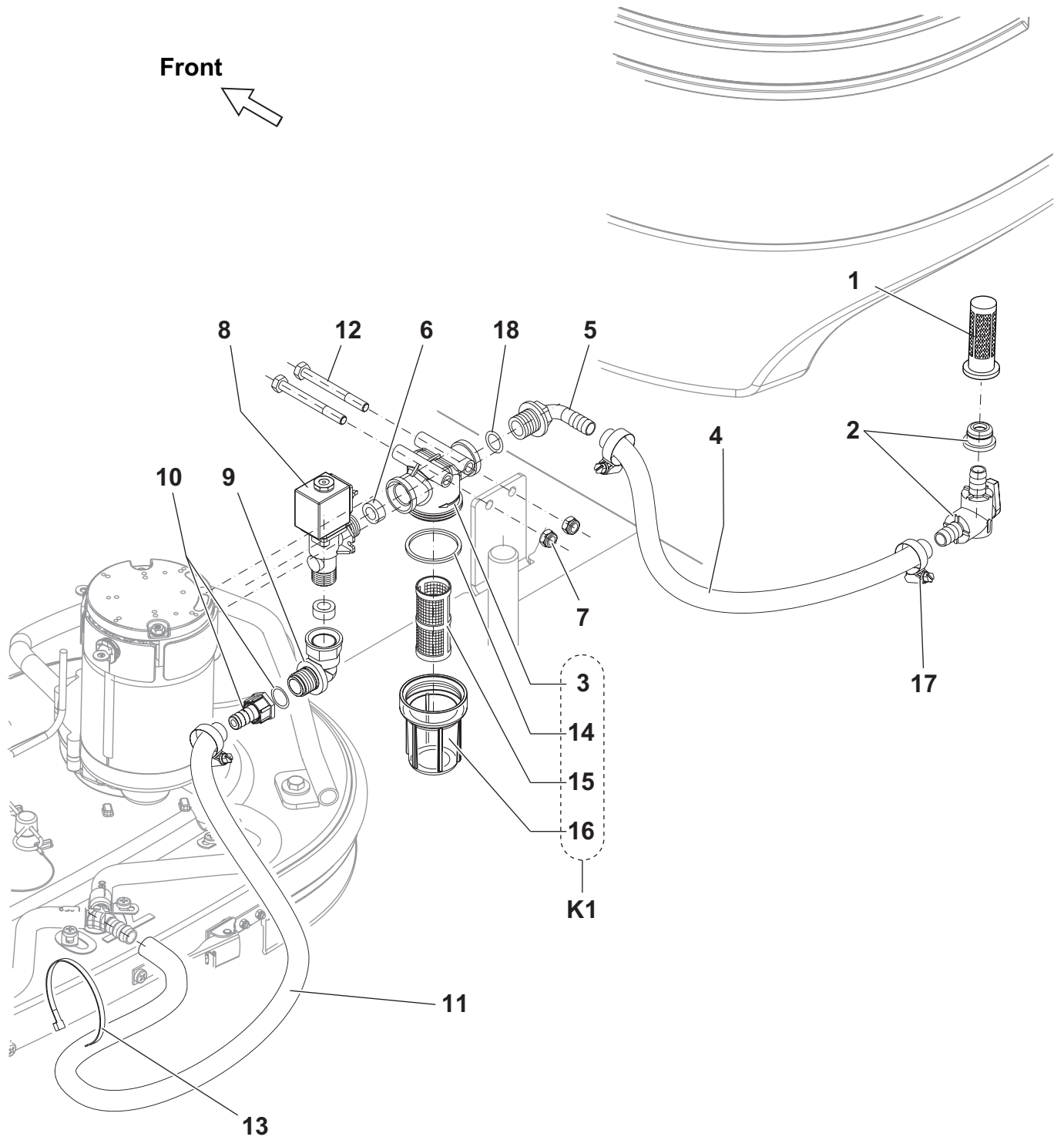
CHASSIS SYSTEM



**CHASSIS SYSTEM**

KIT	ITEM	REF. NO.	QTY	DESCRIPTION	NOTE
	1	9099136000	1	HANDWHEEL M8X55	
K2	2		2	WASHER 8X32 UNI6593	
K2	3		2	SPACER D. 26X32X30	
K1	4		1	SCREW M12X110 UNI5737	
K1	5		3	SCREW M10X35 UNI5739	
K4	6		2	SCREW M10X45 UNI5739	
K2	7		2	SCREW M8X20 UNI5739	
K4	8		1	NUT HEX M8 UNI5589	
K4	9		4	SPACER D.10.5X14X3	
K4	10		2	NUT SELF L. M10 UNI7474	
K1	11		1	WASHER M10 UNI1751B	
K4	12		4	WASHER M10 UNI6592	
K4	13		4	WASHER M14 UNI6592	
K4	14		1	SPACER ADJUSTING SQUEEGEE	
K3	15		1	NUT RING	
	16#	9100001090	2	ROD EYE M10 SIP	
K2	17		2	WASHER	
K1	18		1	WASHER	
K1	19		1	NUT SELF L. M12 UNI7474	
K4	20		2	WASHER 16X30 UNI6592	
K1	21		1	PIN FOR SQUEEGEE SPRING	
	22	909 6126 000	1	BUZZER 5-32V	
K4	23		2	SCREW SHOULDER M10X16	
K3	24		1	SCREW SHOULDER M12X25	
	25	9098236000	1	HARNESS REAR MACHINE	
K3	26		1	WASHER M30 UNI6592	
	27	9098390000	1	SUPPORT SQUEEGEE DOWN	
K4	28		1	SPACER D. 8X10X15.5	
K4	29		1	SPACER WITH HOLE	
	30	9097798000	1	CHASSIS	
K3	31		2	BUSH FLANGED D.30X32X37	
	32#	9100000772	2	WHEEL D.254 80SH GREY SIP	
K3	33		1	BRACKET TURNING	
	34	9097827000	1	SUPPORT SQUEEGEE UPPER	
K1	35		1	PIN SUPPORT SQUEEGEE SPRING	
K1	36		1	SPRING ZERO SETTING SQUEEGEE	
	K1	9098722000	1	CENTRING SQUEEGEE KIT	
	K2	9098723000	1	FIXING WHEELS KIT	
	K3	9098724000	1	BRACKET TURNING KIT	
	K4	9098725000	1	HARDWARE TIE-ROD SQUEEGEE KIT	

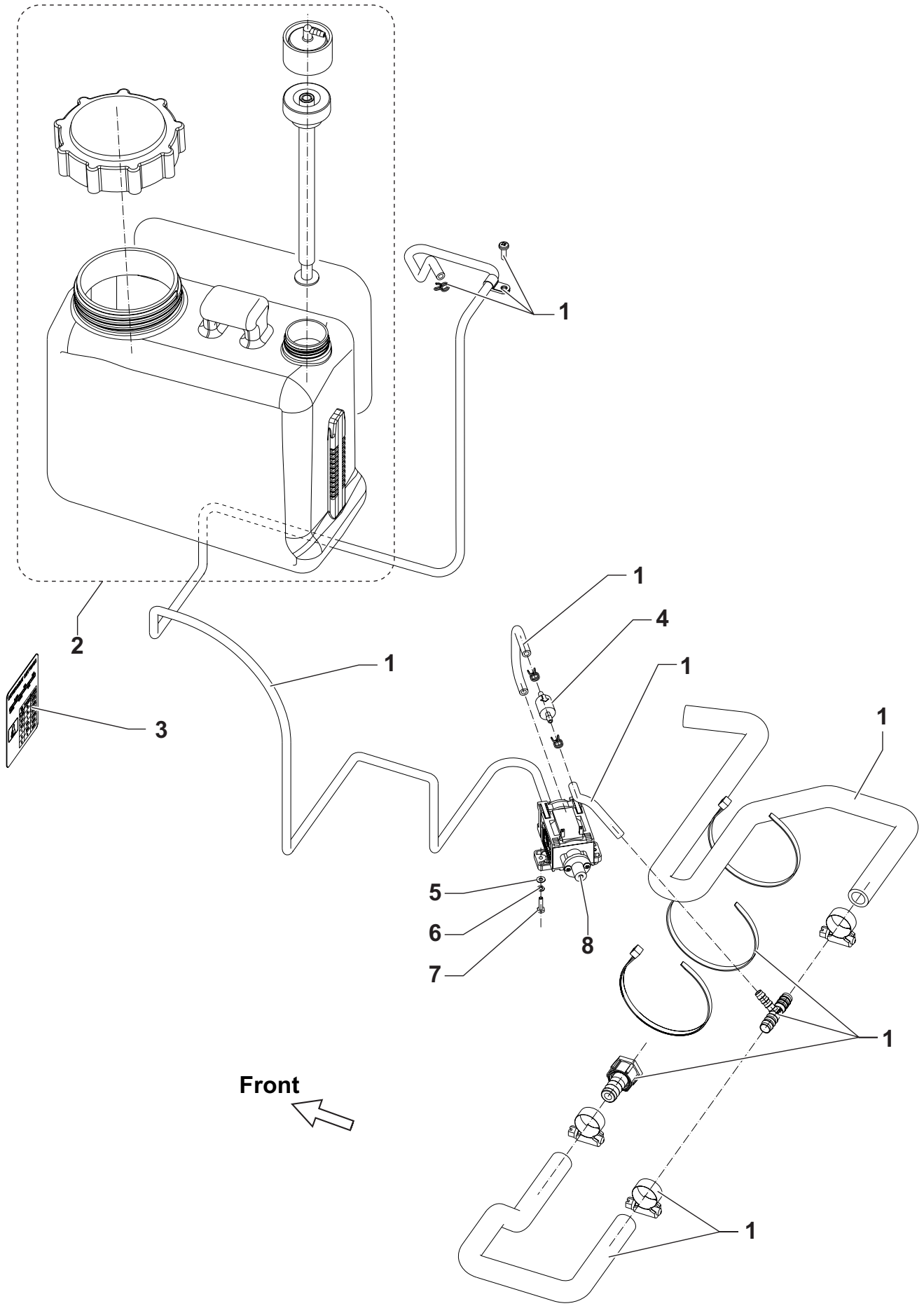
SOLUTION SYSTEM



**SOLUTION SYSTEM**

KIT	ITEM	REF. NO.	QTY	DESCRIPTION	NOTE
	1*#	9100001353	1	FILTER SOLUTION TANK SIP	
	2	9097626000	1	VALVE BALL ELBOW D.13 KIT	
K1	3		1	BODY FILTER	
	4	9098120000	1	HOSE PVC W/SPIRAL D.12X18 L.323MM SIP	
	5	909 6087 000	1	ELBOW CURVED 90. M 1/2	
	6#	9100000622	3	GASKET RUBBER D.11.5X19X5 BLACK SIP	
K2	7		2	NUT SELF L. M8 UNI7474	
	8	909 6555 000	1	SOLENOID VALVE 24V	
	9#	9100000894	1	ELBOW CURVED M/F SIP	
	10#	9100002148	1	BARB HOSE STRAIGHT 1/2 D.13 PLAST. KIT	
	11	9097821000	1	HOSE PVC W/SPIRAL D.12X18 L.1020MM SIP	
K2	12		2	SCREW M8X75 UNI5737	
K2	13		1	CLAMP BLACK 4,8x200	
K1	14	9097943000	1	GASKET FOR WATER FILTER	
K1	15	9097944000	1	FILTER NET SS 50 MESH FOR WATER	
K1	16	9097945000	1	COVER TRANSPARENT FOR WATER FILTER	
K2	17		3	CLAMP 09/12-22	
	18#	9100002332	1	O-RING 5X20 METRIC NBR 70SH 2PCS SET	
K1		9098115000	1	FILTER WATER	
[K2]		9098726000	1	HARDWARE SOLENOID VALVE KIT	

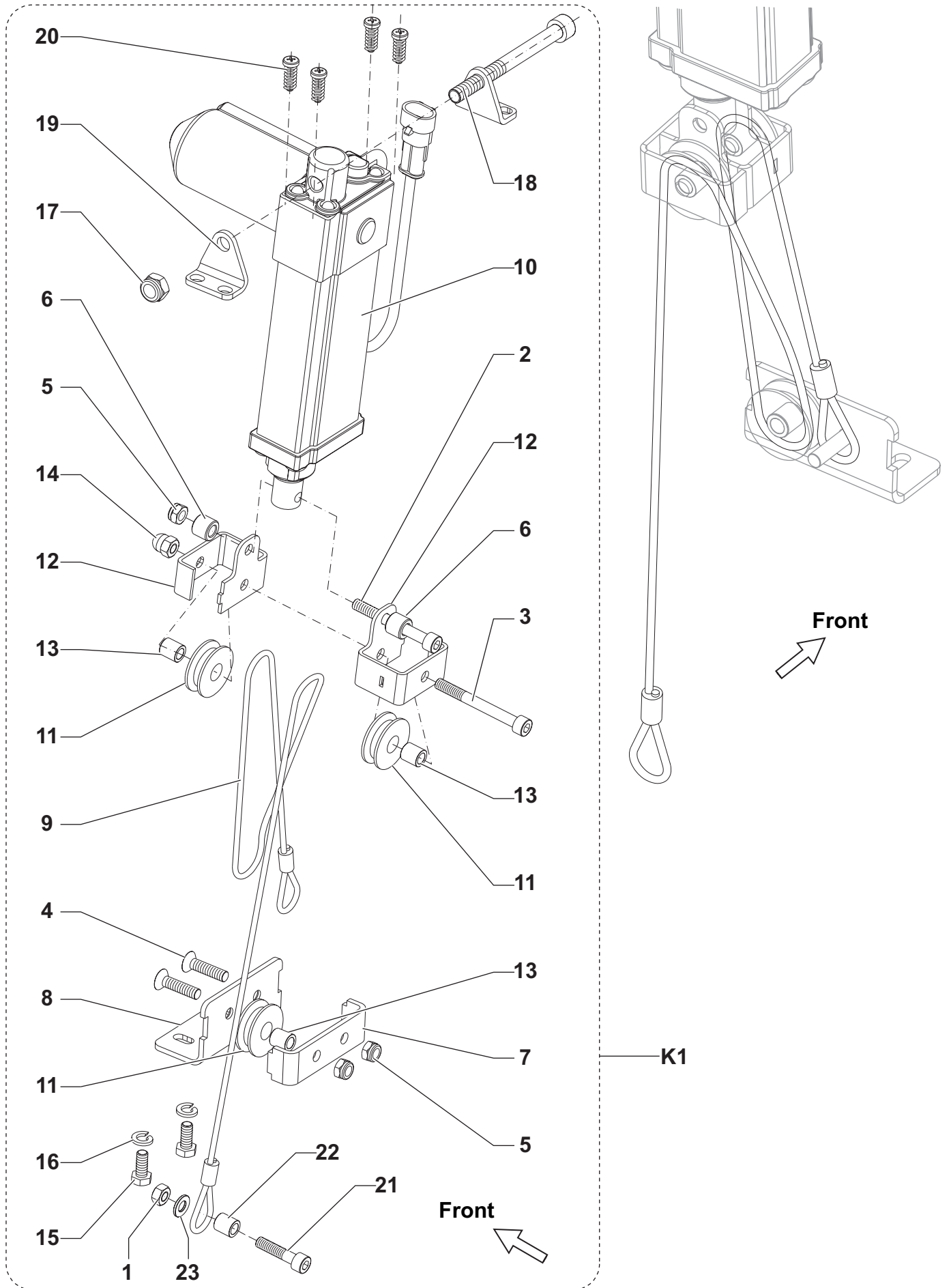
ECOFLEX™



**ECOFLEX™**

KIT	ITEM	REF. NO.	QTY	DESCRIPTION	NOTE
	1	9099948000	1	HOSES ECOFLEX SYSTEM KIT	
	2	909 6903 000	1	TANK CHEMICAL KIT	
	3		1	DECAL DETERGENT ADJUSTING	
	4	56315522	1	CHECK VALVE 1/8 BARB 125PSI	
	5		2	WASHER M3 UNI6592	
	6		2	WASHER M3 UNI1751B	
	7		2	SCREW HEX HD M3X12	
	8#	9100001819	1	PUMP CHEMICAL MIX KIT	

SQUEEGEE RAISING ASSY

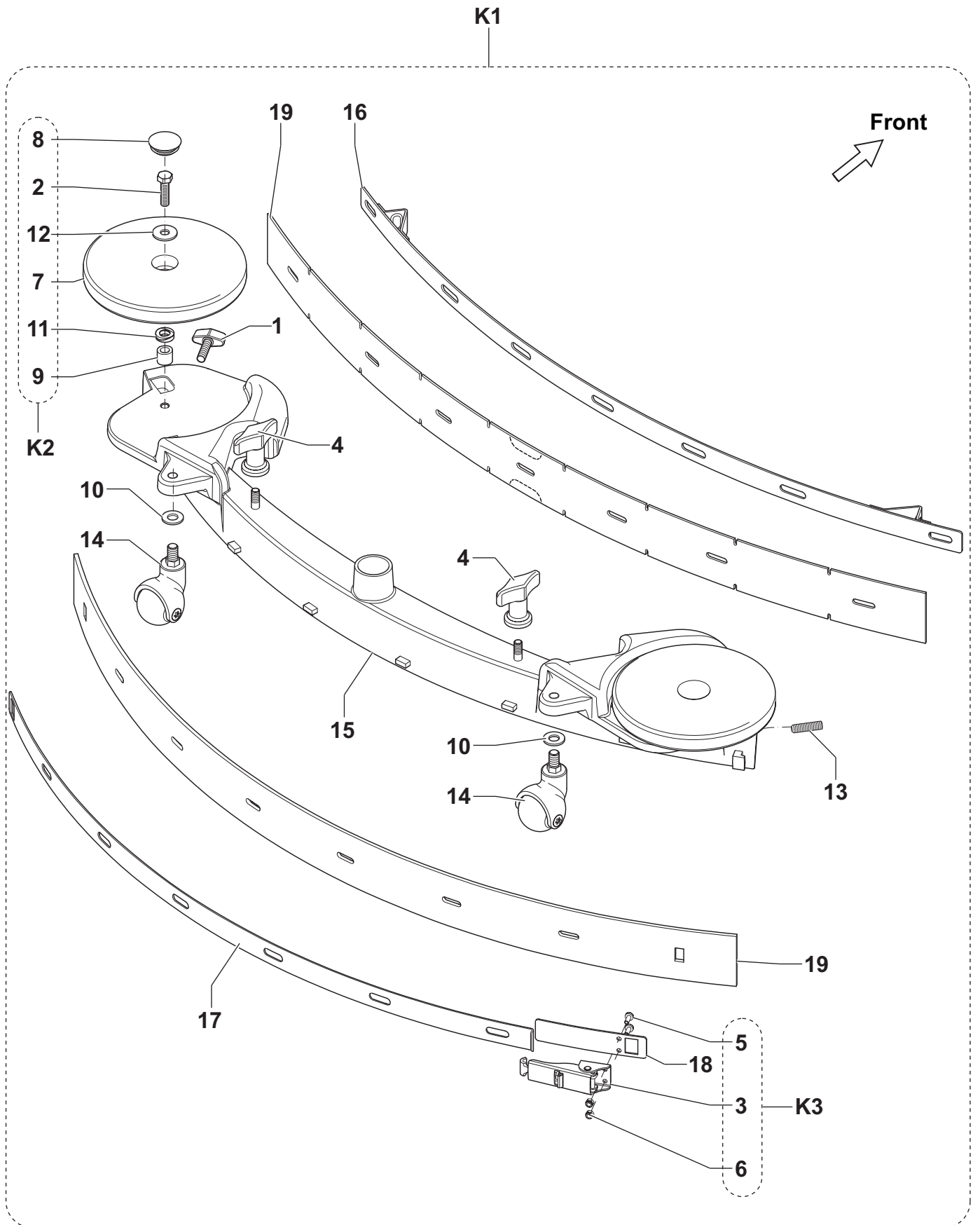




**SQUEEGEE RAISING ASSY**

KIT	ITEM	REF. NO.	QTY	DESCRIPTION	NOTE
K1	1		1	NUT SELF L. M6 UNI7474 SS	
K1	2		1	SCREW M6X50 UNI5931	
K1	3		1	SCREW M6X55 UNI5931	
K1	4		2	SCREW M6X25 UNI5933	
K1	5		3	NUT SELF L. M6 UNI7474	
K1	6		2	SPACER 6,5X12X10	
K1	7		1	PLATE COUNTER	
K1	8		1	SUPPORT COUNTERPLATE	
K1	9	9097933000	1	CABLE SQUEEGEE LIFTING	
K1	10#	9100000682	1	ACTUATOR LINEAR 24V DC STRK 100MM SIP	
K1	11	9098248000	3	PULLEY D.30	
K1	12		2	BRACKET PULLEY SUPPORT	
K1	13		3	SPACER D. 6.5X10X10.5	
K1	14		1	NUT HEX M6 UNI5721	
K1	15		2	SCREW M6X14 UNI5739	
K1	16		2	WASHER M6 UNI1751B	
K1	17		1	NUT SELF L. M8 UNI7474	
K1	18		1	SCREW M8X90 UNI5931	
K1	19		1	BRACKET SUPPORT JACK MOTOR	
K1	20		4	SCREW CYL HD 5X16 SELF L.	
K1	21		1	SCREW M6X20 ISO7380 SS	
K1	22		1	SPACER 6.5X10X5	
K1	23		1	WASHER 6X18X1.5 UNI6593	
	K1	9098708000	1	SQUEEGEE LIFTING KIT	

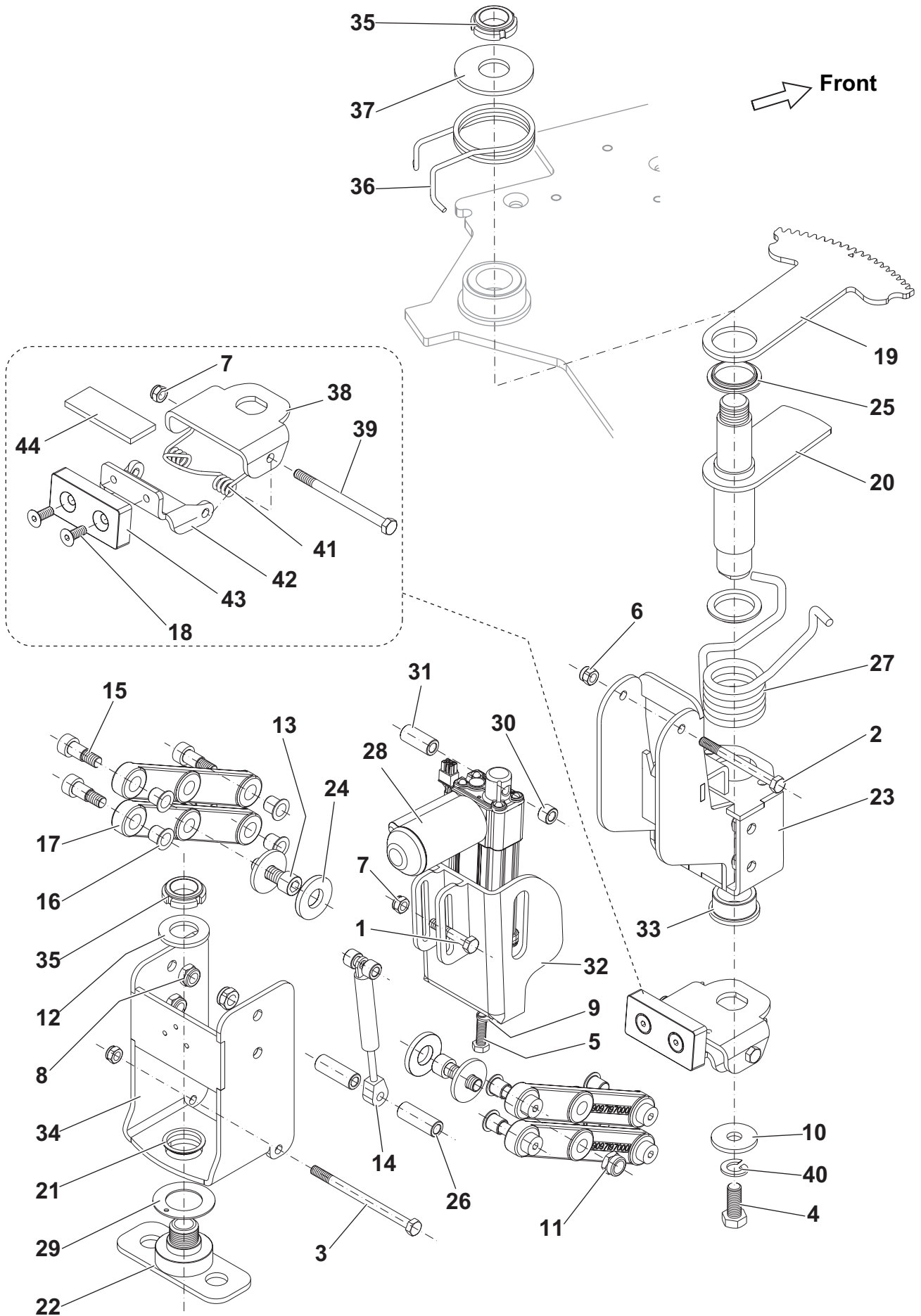
SQUEEGEE SYSTEMS



**SQUEEGEE SYSTEMS**

KIT	ITEM	REF. NO.	QTY	DESCRIPTION	NOTE
K1	1#	9100000791	1	KNOB M8X30 SS	
K2	2		2	SCREW M8X30 UNI5739 SS	
K3	3		1	LATCH SQUEEGEE	
K1	4	9097637000	1	SQUEEGEE FIXING KIT	
K3	5		2	SCREW M4X10 UNI7687 SS	
K3	6		2	NUT SELF L. M4 UNI7474 SS	
K2	7		2	ROLLER BUMPER	
K2	8		2	CAP. BLACK	
K2	9		2	SPACER 9X15X13	
K1	10		2	WASHER M10 UNI6592	
K2	11		2	WASHER 10X18 UNI8840A	
K2	12		2	WASHER SST	
K1	13	909 6600 000	1	SCREW GRUB M8X30 UNI5929	
K1	14	9099163000	2	WHEEL CASTOR D.42	
K1	15	9098379000	1	WELDMENT SQUEEGEE TOOL	
K1	16	9098380000	1	STRAP FRONT SQUEEGEE 35	
K1	17	9098381000	1	STRAP SKIRT REAR RIGHT 35	
K1	18	9098382000	1	STRAP SKIRT REAR LEFT 35	
K1	19	9099855000	1	BLADES PU 890MM/35" KIT	
	K1	9098728000	1	SQUEEGEE CPL PU 890MM/35" KIT	
K1	K2	909 6887 000	2	ROLLER BUMPER KIT	
K1	K3	909 6394 000	1	LATCH SQUEEGEE KIT	

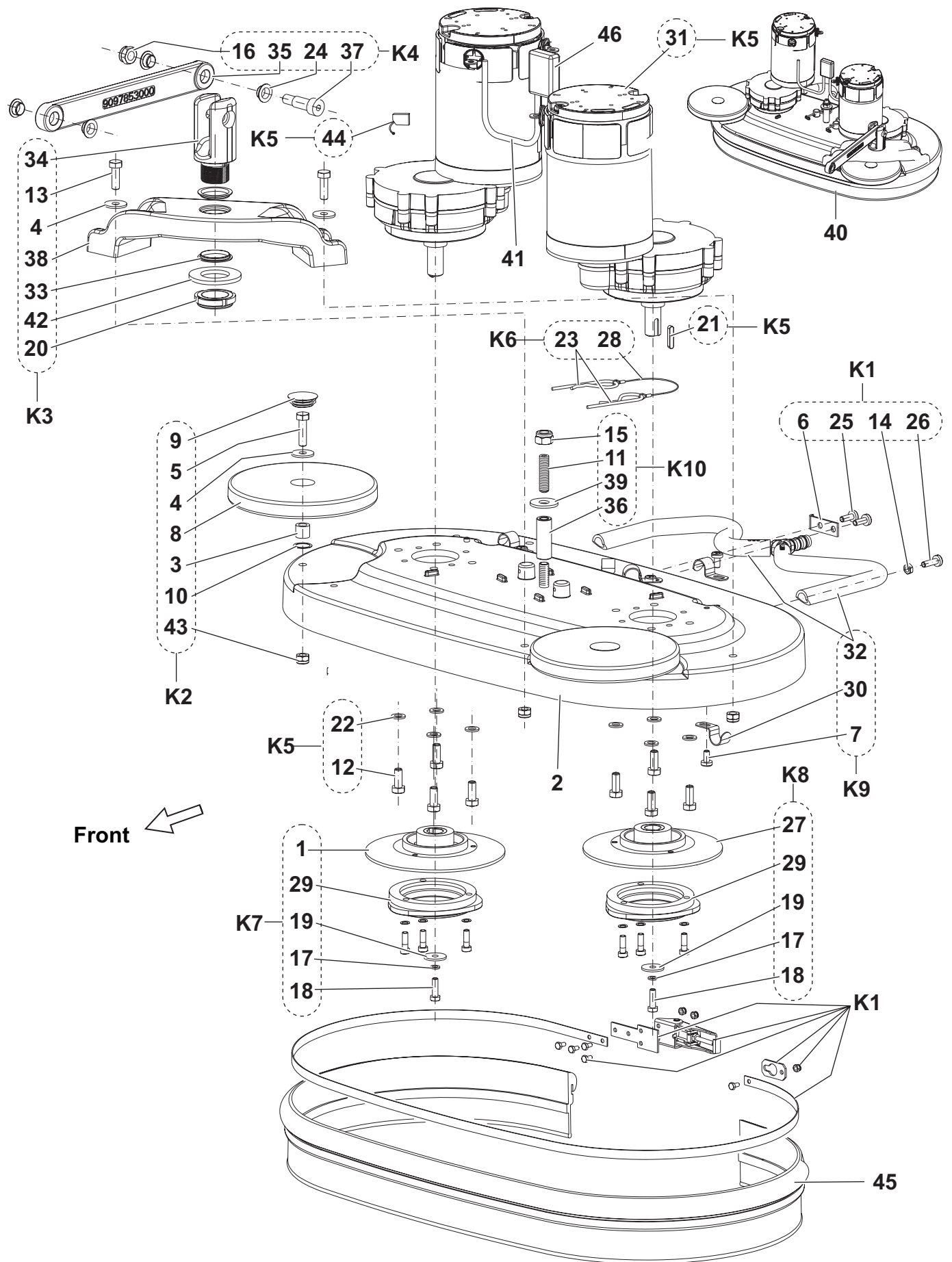
MAGIC DECK ASSEMBLY



**MAGIC DECK ASSEMBLY**

KIT	ITEM	REF. NO.	QTY	DESCRIPTION	NOTE
K1	1		1	SCREW M8X45 HEX HD P/THD ISO4014	
K1	2		1	SCREW M8X90 HEX HD P/THD ISO4014	
K1	3		1	SCREW M8X120 HEX HD P/THD ISO4014	
K1	4		1	SCREW M12X130 HEX HD F/THD ISO4017	
K1	5		1	SCREW M8X30 HEX HD F/THD ISO4017	
K1	6		1	NUT SELF L. M8 UNI7473	
K1	7		3	NUT SELF L. M8 UNI7474	
K1	8		4	NUT SELF L. M10 UNI7474	
K1	9		1	WASHER M8 UNI1751B	
K1	10		3	WASHER 12X40X4	
K1	11		2	NUT SELF L. M12 UNI7474	
K1	12		1	WASHER M24 UNI6592	
K1	13		2	SCREW M12X35 CAP HD HEX SOCK ISO4762	
	14	909 5637 000	1	SPRING GAS	
	15	909 6520 000	8	SCREW SHOUL 12X16 M10 GEOMET321A	
	16	9097008000	8	BEARING FLANGE IGLIDUR GFM-1214-15	
	17	9097197000	4	LEVER	
K1	18		2	SCREW M8X20 C/SUNK FLAT HD HEX ISO10642	
	19	9097810000	1	GEAR SLAVE	
	20	9097811000	1	PIN DRIVEN CROWN	
	21#	9100000902	1	BEARING FLANGE IGLIDUR 2 PCS SET	
	22	9097819000	1	BRACKET ROTATING SUPPORT DECK	
	23	9097822000	1	SUPPORT JACK	
	24	9097824000	2	BUSH D.18.2X40	
	25	9097835000	2	BEARING FLANGE IGLIDUR GFM-3539-058	
	26	9097836000	2	SPACER D. 8.5X15X42	
	27	9097850000	1	SPRING DRAGGING DECK	
	28#	9100000681	1	ACTUATOR LINEAR 24V DC STRK 66MM SIP	
	29#	9100000903	1	WASHER THRUST GTM 3254-015 SIP	
	30	9097938000	3	SPACER D. 8.5X15X10	
	31	9097939000	1	SPACER D. 8.5X15X33	
	32	9098176000	1	BRACKET LOWER JACK MOTOR	
	33	9098216000	1	BEARING FLANGE IGLIDUR MFM-3038-020	
	34	9098220000	1	BRACKET SUPPORT DECK	
	35	33005721	2	NUT RING M25X1.5 KMA8 LIGHT SERIES	
	36	9097851000	1	SPRING ZERO SETTING BRUSH DECK	
	37	9098239000	1	WASHER PLAIN D.25.5X65X4 GALV.	
	38	9098195000	1	FLANGE UP DRAGGING	
K1	39		1	SCREW M8X110 HEX HD P/THD ISO4014	
K1	40		1	WASHER M12 UNI1751B	
	41	9098197000	1	SPRING INSERTION DRAGGING	
	42	9098196000	1	FLANGE DOWN DRAGGING	
	43	9097813000	1	GUIDE DRAGGING DECK	
	44	9098857000	1	RUBBER ANTISHOCK	
[K1]	9098727000		1	HARDWARE BRUSH DECK SUPPORT KIT	

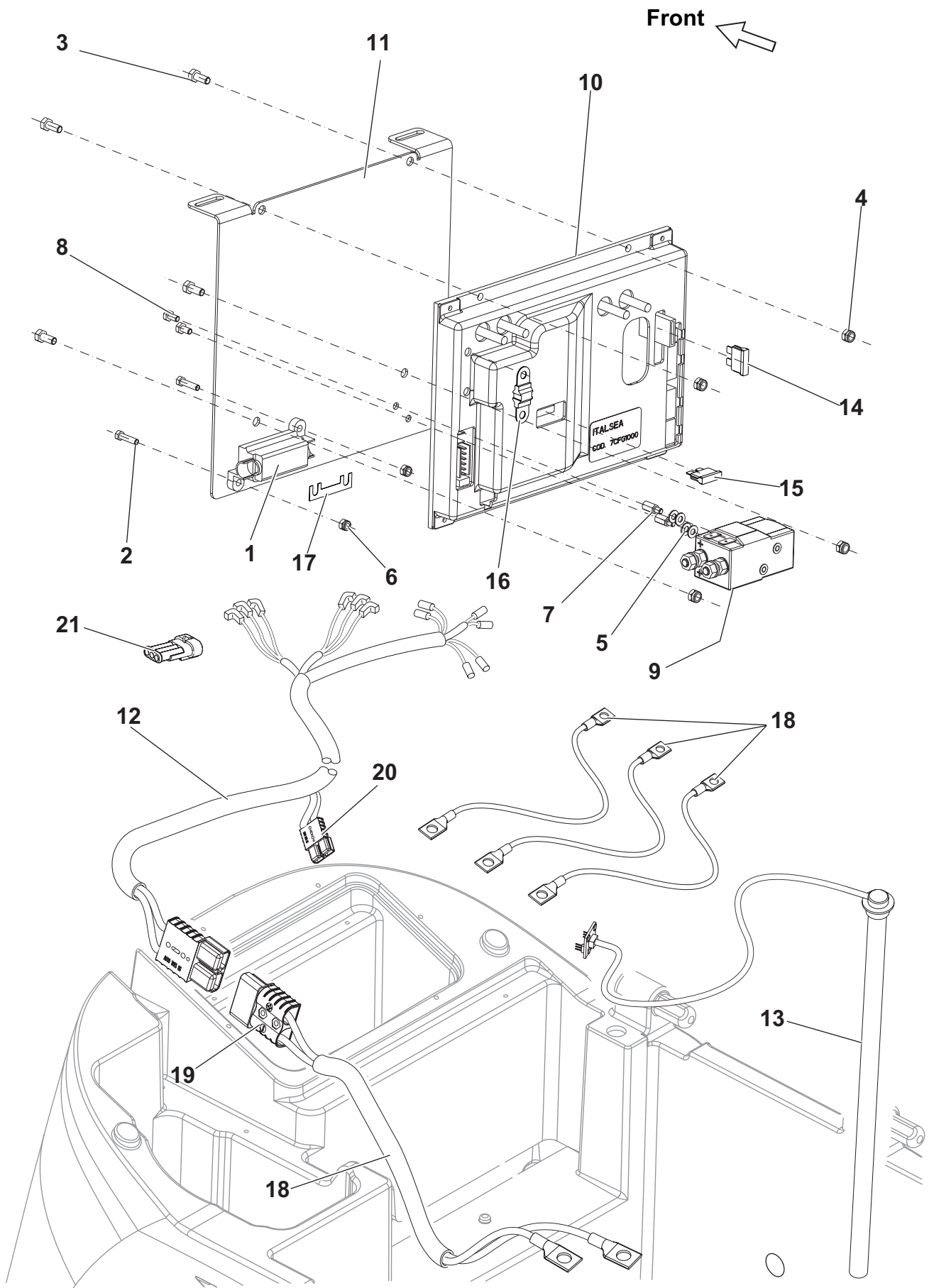
BRUSHES DECK SYSTEM



**BRUSHES DECK SYSTEM**

KIT	ITEM	REF. NO.	QTY	DESCRIPTION	NOTE
	K7		1	HOLDER POLYGONAL LEFT	
	2	9099414000	1	DECK BRUSH 650MM	
	K2		2	WASHER 15	
	K2-3		6	WASHER 8X24X2 FLAT ISO7093	
	K2		2	SCREW M8X30 HEX HD F/THD SS ISO4017	
	K1		1	PLATE BENT	
	K9		6	SCREW M6X12 PAN HD PHIL SS ISO7045	
	K2		2	ROLLER BUMPER D.160 BLACK	
	K2		2	CAP. BLACK	
	K2		2	SPACER 9X15X13	
	K10		1	WASHER 10X30 UNI6593	
	K5		8	SCREW M8X20 HEX HD F/THD SS ISO4017	
	K3		4	SCREW M8X25 HEX HD F/THD ISO4017	
	K1		1	NUT HEX M6 UNI5589	
	K10		1	NUT SELF L. M10 UNI7473	
	K4		1	NUT SELF L. M10 UNI7474	
	K7-8		2	WASHER M6 UNI8842A SS	
	K7-8		2	SCREW M6X20 HEX HD F/THD SS ISO4017	
	K7-8		2	WASHER 6.6X24X2 UNI6593 SS	
	K3		1	NUT RING M30X1.5 KMA6 LIGHT SERIES	
	K5	1466147000	2	KEY 5X5X20 UNI6604A SIP	FOR REF 9097638000 (LEROY SOMER) FOR REF 910000309 (LEROY SOMER)
	K5	1466146000	2	KEY 5X5X25 UNI6604A SIP	FOR REF 9100001657 (AMER)
	K5		8	WASHER M8 UNI8842A SS	
	K6		2	PIN SPLIT 3X60 UNI8833	
	K4		4	BUSH FLANGED	
	K1		2	SCREW M6X16 PAN HD PHIL SS ISO7045	
	K1		1	SCREW M6X20 PAN HD PHIL SS ISO7045	
	K8		1	HUB BRUSH LEFT ASSEMBLY	
	K6		1	CABLE STAINLESS STEEL	
	K7-8	L08812480	2	HUB.BRUSH	
	K9		6	CLAMP D.16	
	K5		2	REDUCTION GEARMOTOR 400W 24V	
	K9		1	TUBE WATER DECK ASSEMBLY 650	
	K3		2	BEARING FLANGE IGLIDUR GFM-3032-04	
	K3		1	BRACKET TURNING	
	K4		1	ARM SIDE	
	K10		1	SPACER THREADED	
	K4		1	SCREW SHOULDER 12X25 M10 ISO7379	
	K3		1	SPACER SIDE ARM	
	K10		1	SCREW GRUB M10X40 CUP POINT ISO4029	
	40#	9098741000	1	DECK BRUSHES 26" KIT	PB SD 2012-005
	41	9098374000	1	HARNESS BRUSH DECK	
	K3		1	WASHER M30 UNI6592	
	K2		6	NUT SELFLOCKING LOW M8 UNI7474 SS	
	K5	909 5380 000	2	CARBON BRUSHES W/HOLDER KIT 4PCS	FOR REF 9097638000 (LEROY SOMER)
	K5	9100000421	2	CARBON BRUSHES W/HOLDER KIT	FOR REF 910000309 (LEROY SOMER)
	K5	L08603949	2	CARBON BRUSHES SET 4 PCS	FOR REF 9100001657 (AMER)
	45	909 5224 000	1	SPLASH GUARD DECK 650MM/26	
	<b>45*</b>	<b>9097474000</b>	<b>1</b>	<b>SPLASH GUARD W/BRISTLES</b>	
	46#	9100002248	1	CONNECTOR 50A RED SIP	
	K1	909 5398 000	1	SPLASH GUARD FIXING KIT	
	K2	909 6887 000	2	ROLLER BUMPER KIT	
	K3	9098730000	1	SPACER SIDE ARM KIT	
	K4	9098731000	1	ARM SIDE KIT	
	K5#	9100001657	2	REDUCTION GEARMOTOR 400W 24V KIT	TSB -FC-2015-034
	K6	909 6354 000	1	SPLIT PINS W/CABLE KIT	
	K7	9097640000	1	HOLDER POLYGONAL RIGHT KIT	
	K8	9097639000	1	HOLDER POLYGONAL LEFT KIT	
	K9	9097644000	1	HOSE WATER BRUSH DECK KIT	
	K10	9098732000	1	FIXING DECK KIT	

ELECTRICAL COMPONENTS



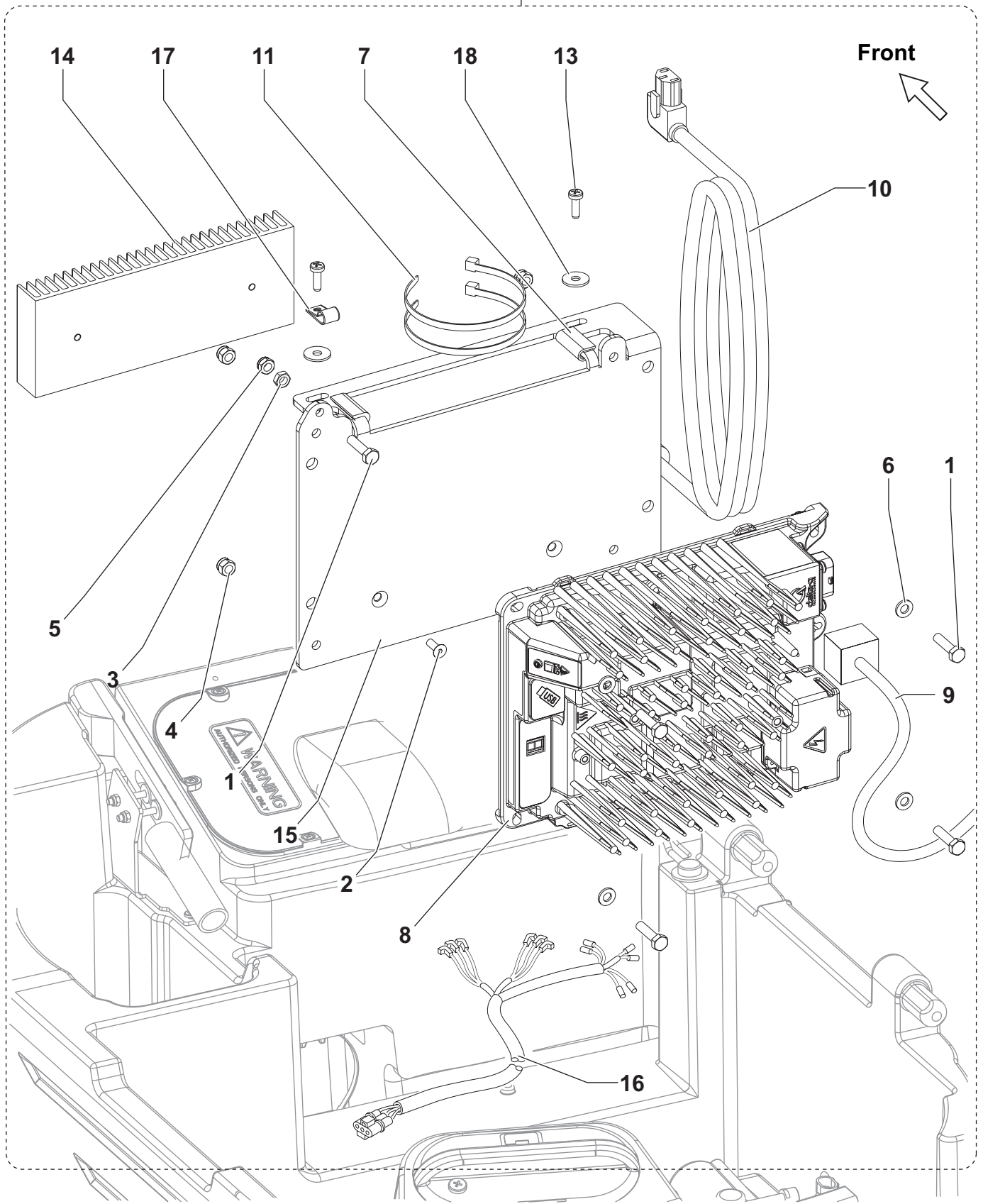


**ELECTRICAL COMPONENTS**

KIT	ITEM	REF. NO.	QTY	DESCRIPTION	NOTE
	1	145 8046 000	1	HOLDER FUSE	
K1	2		2	SCREW M4X16 UNI5739	
K1	3		4	SCREW M5X12 UNI5739	
K1	4		4	NUT SELF L. M5 UNI7474	
K1	5		4	WASHER M4 UNI6592	
K1	6		2	NUT SELF L. M4 UNI7474	
K1	7		2	SPACER M4 L10	
K1	8		2	SCREW M4X8 UNI5739	
	9	9097208000	1	SWITCH ELECTROMAGNETIC 24V	
	10#	9100000183		CARD ELECTRONIC TRACTION/FUNCTION SIP	TO MACH WITH MOTOR DRIVE 9097834000 UNTIL S/N 3510133204430
	10	9100000024	1	CARD ELECTRONIC TRACTION KIT	STARTING FROM S/N 3510133204431 TSB FC 2013-117 (9100000100) INSTALLATION INSTRUCTIONS
	11	9097860000	1	PLATE FIXING ELECTRONIC CARD	
	12	9098190000	1	HARNESS ELECTRICAL COMPONENTS BOX	UNTIL S/N 3510122204473 - TSB IT 2012-087
	12	9099681000	1	HARNESS ELECTRICAL COMPONENTS BOX	STARTING FROM S/N 3510122204474 - TSB IT 2012-087
	13#	9100001447	1	SENSOR PRESSURE KIT	
	14#	9100000878	1	FUSE BLADE 3A SIP	
	15	145 9853 000	1	FUSE BLADE 15A	
	16#	9100000877	1	FUSE MIDIFUSE 100A SIP	
	17	145 9854 000	1	FUSE 50A	
	18	9099695000	1	BATTERY HARNESS US	
	19#	9100002117	1	CONNECTOR 120A RED SIP	
	20#	9100002248	1	CONNECTOR 50A RED SIP	
	21	9099203000	1	CONNECTOR 3 WAYS WITH BRIDGE	
	[K1]	9098739000	1	HARDWARE ELECTRIC COMPONENTS KIT	

# BATTERY CHARGER

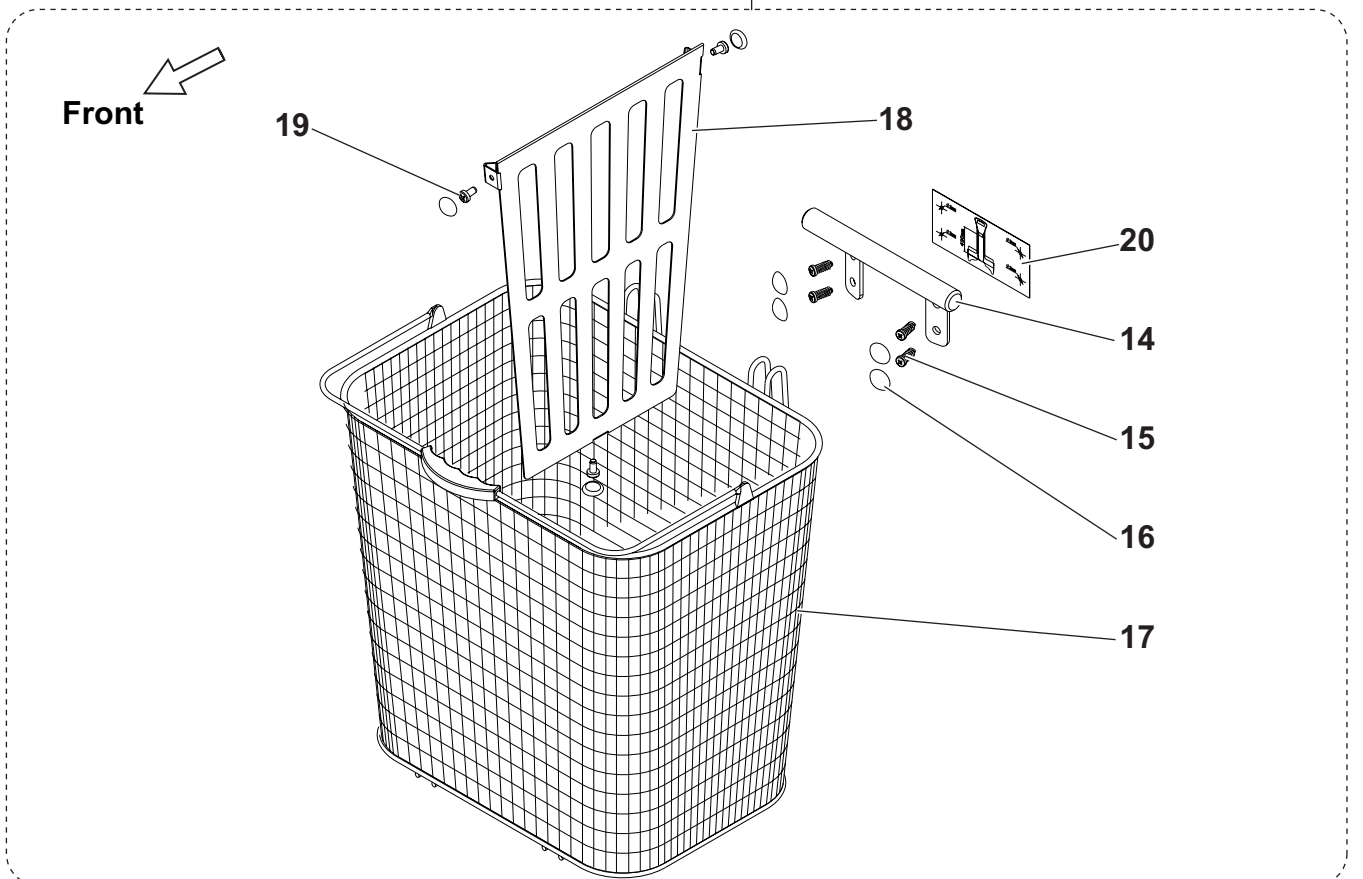
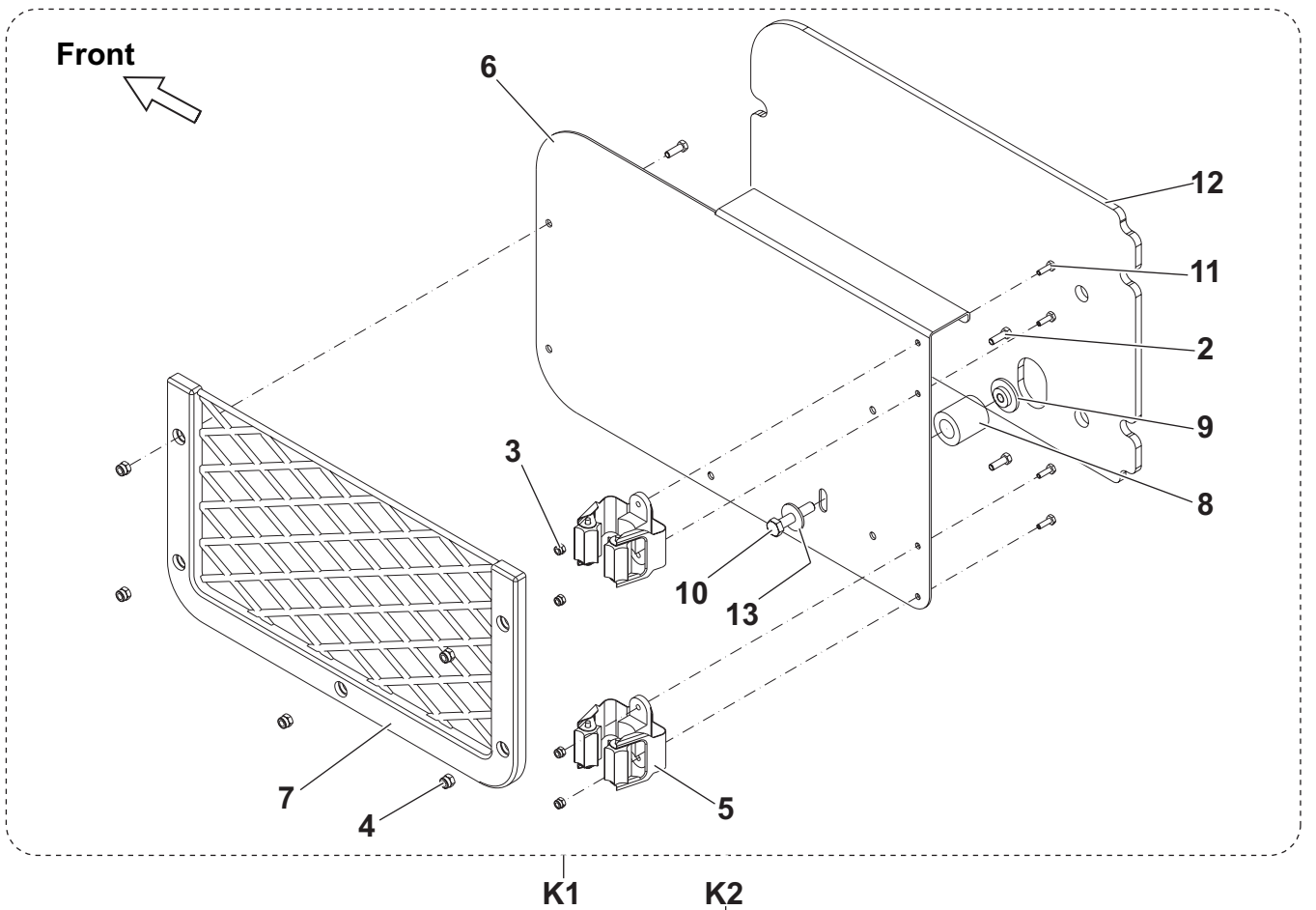
K1



**BATTERY CHARGER**

KIT	ITEM	REF. NO.	QTY	DESCRIPTION	NOTE
K1	1		5	SCREW, HEX THD TO HD M6x25	
K1	2		2	SCREW FLAT SOCKET HEAD M5X14.0	
K1	3		1	NUT, HEX THIN M6	
K1	4		4	NUT, HEX NYL LOC HVY M6	
K1	5		1	NUT, HEX NYL LOC THIN M6	
K1	6		4	WASHER 6.4X12.5 FLAT ISO 7089	
K1	7		2	SEAL EDGE PROTECTOR L=30	
K1	8	56383856	1	CHARGER-ONBOARD 24V 650W	
K1	9	56383860	1	SENSOR-DELTAQ CHARGE TEMP	
K1	10	56383866	1	CORD-AC NEMA IEC320 - DELTAQ	
K1	11		2	TIE, CABLE 4,8X200	
K1	12		1	SILICONE HEAT TRANSFERT	
K1	13		2	THREAD ROLLING SCR 5x16 PLASTIC	
K1	14	9098859000	1	HEATSINK	
K1	15	9100000661	1	PLATE BATTERY CHARGER SIP	
K1	16	9100000662	1	HARNESS BATTERY CHARGER US SIP	
K1	17		1	CLAMP CABLE BLACK	
K1	18		2	WASHER FLAT XL 6X18X1.5	
	K1	9100000653	1	CHARGER BATTERY US KIT	STARTING FROM S/N 3510143501153 TSB-FC-2013-141 (9100000654) INSTALLATION INSTRUCTIONS
	[19]	9098677000	1	CABLE EXTENSION US PLUG L.2000MM	FOR REF. 9098630000 SPE BATTERY CHARGER

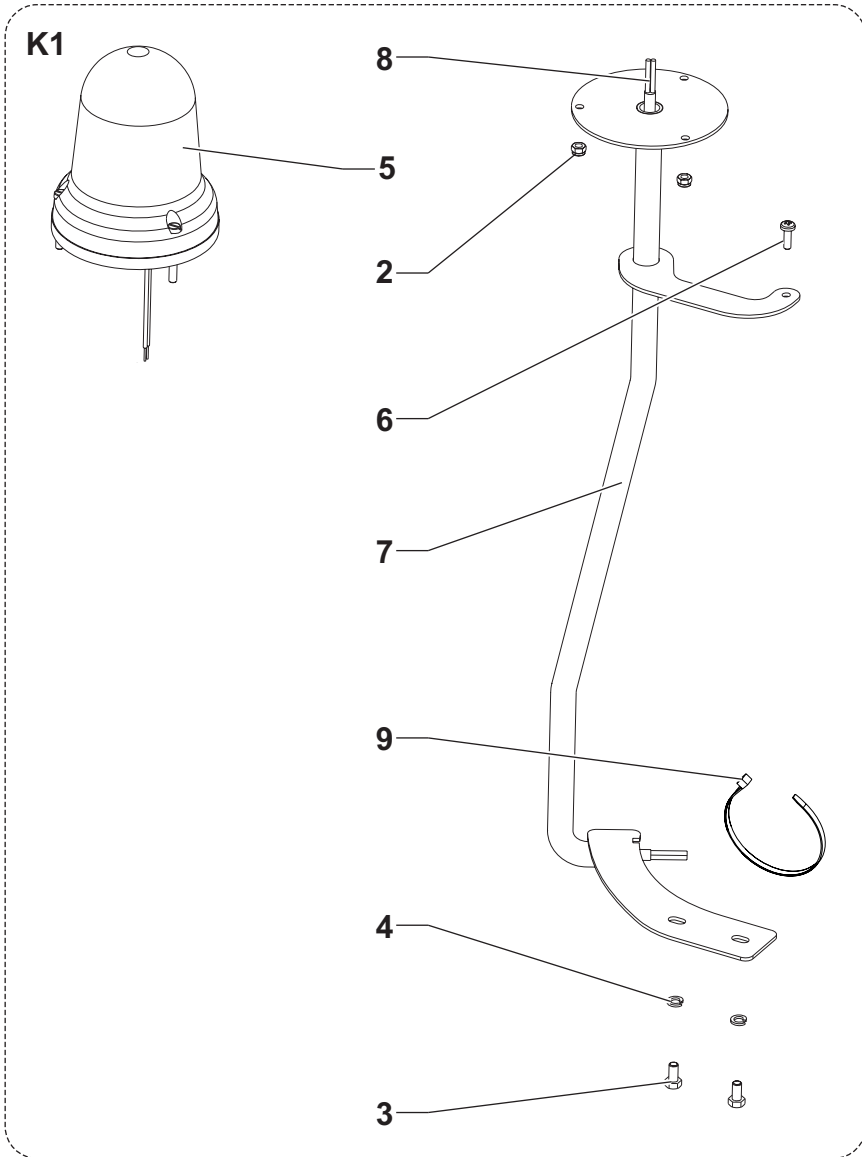
## MOP TRASH, BASKET



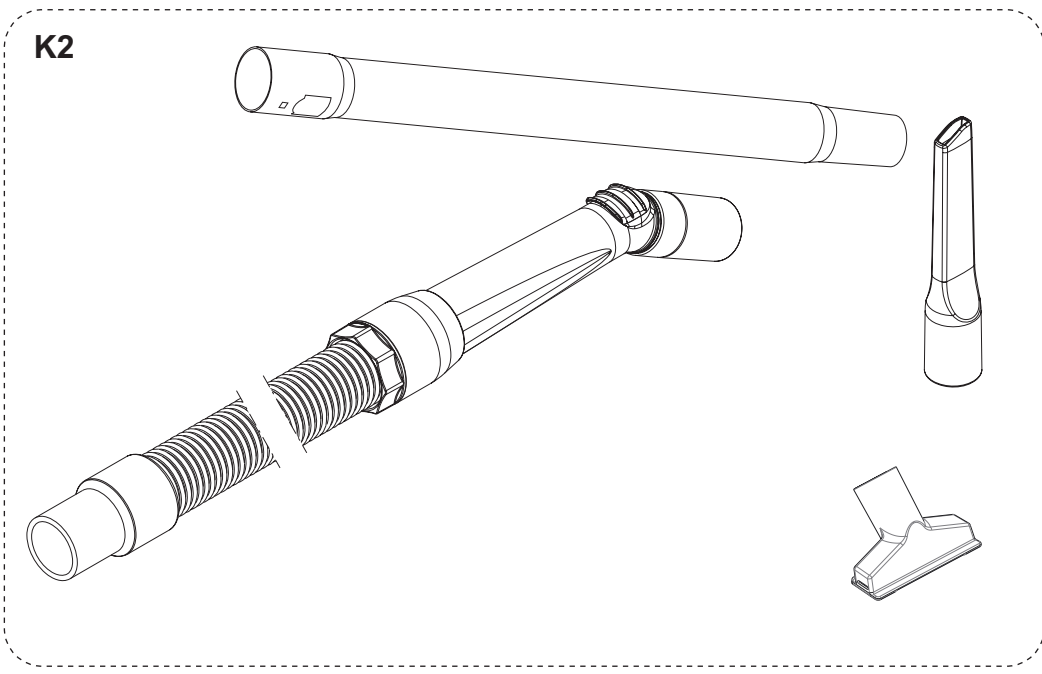
**MOP TRASH, BASKET**

KIT	ITEM	REF. NO.	QTY	DESCRIPTION	NOTE
	<b>K1*</b>	<b>9097815000</b>	<b>1</b>	<b>MOP AND TRASH KIT</b>	
K1	2		5	SCREW M4X12 UNI5739	
K1	3		4	NUT SELF L. M3 UNI7474	
K1	4		5	NUT SELF L. M4 UNI7473	
K1	5#	9100002118	2	HOLDER BROOM	
K1	6		1	SHEET SUPPORT KIT	
K1	7	9097947000	1	NET 6x5	
K1	8		1	EXPANDER	
K1	9		1	EXPANDER FLANGE	
K1	10		1	SCREW M6X30 UNI5739 SS	
K1	11		4	SCREW M3X10 UNI5739	
K1	12		1	MOUSSE	
K1	13		1	WASHER, FLAT	
	<b>K2*</b>	<b>9098480000</b>	<b>1</b>	<b>BASKET KIT</b>	
K2	14		1	BASKET SUPPORT	
K2	15		4	READ ROLLING SCR 5x16	
K2	16		7	COVER FOR SCREW TCB 4.8mm	
K2	17	9098250000	1	BASKET	
K2	18		1	PARTITION	
K2	19		3	THREAD ROLLING SCR, PAN PHIL	
K2	20		1	DECAL TEMPLATE	

### FLASHING BEACON, NOISE REDUCTION, HOSE SUCTION HAND



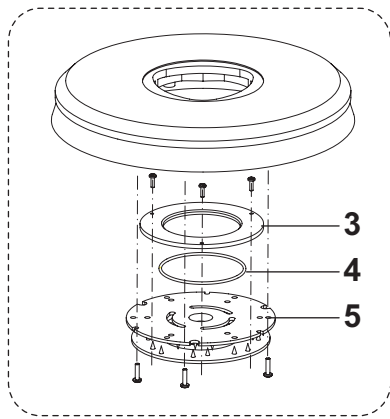
➔ **Front**



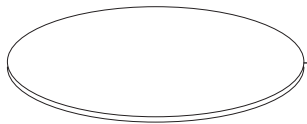
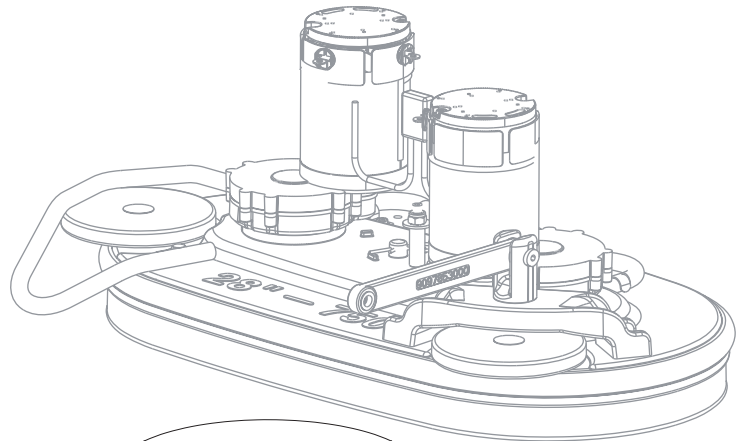
**FLASHING BEACON, NOISE REDUCTION, HOSE SUCTION HAND**

KIT	ITEM	REF. NO.	QTY	DESCRIPTION	NOTE
	<b>K1*</b>	<b>9098164000</b>	<b>1</b>	<b>FLASHING BEACON KIT</b>	
K1	2		3	NUT SELF L. M4 UNI7474 SS	
K1	3		2	SCREW M5X10 UNI5739	
K1	4		2	WASHER M5 UNI1751B	
K1	5#	33023155	1	BEACON, WARNING 10-120V	
K1	6		1	SCREW 3.9X13 UNI6954	
K1	7		1	FLASHING BEACON SUPPORT	
K1	8		1	FLASHING BEACON WIRING	
K1	9		1	CLAMP BLACK	
	<b>K2*#</b>	<b>9100002205</b>	<b>1</b>	<b>DRAINING HAND TOOL KIT</b>	
	<b>[K3]*</b>	<b>9098772000</b>	<b>1</b>	<b>NOISE REDUCTION KIT</b>	(9098773000) INSTALLATION INSTRUCTIONS

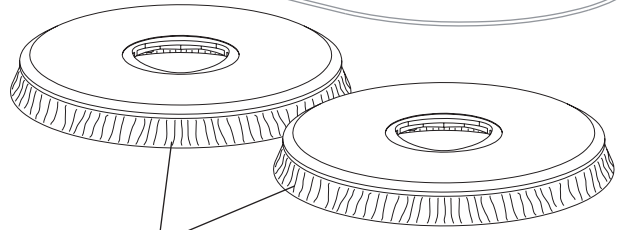
BRUSHES, BLADES



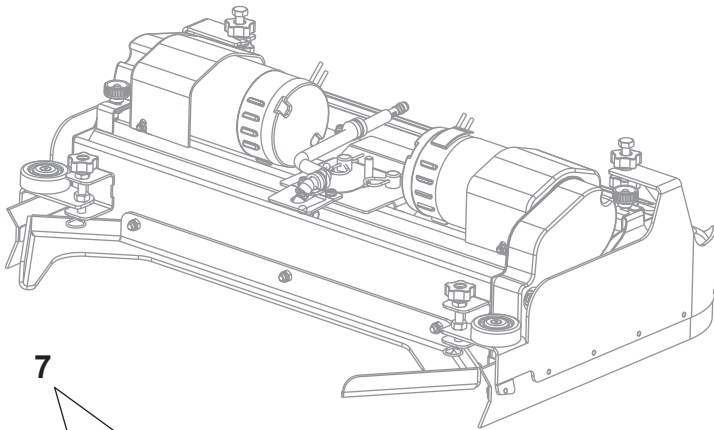
2



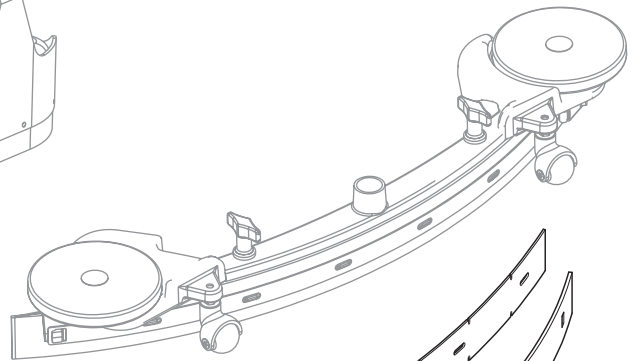
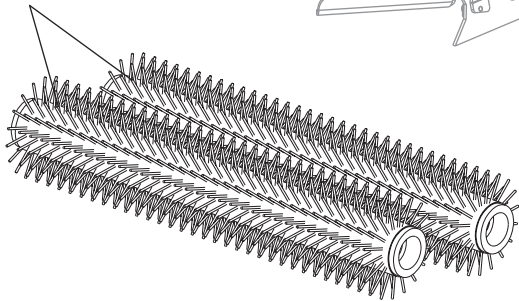
6



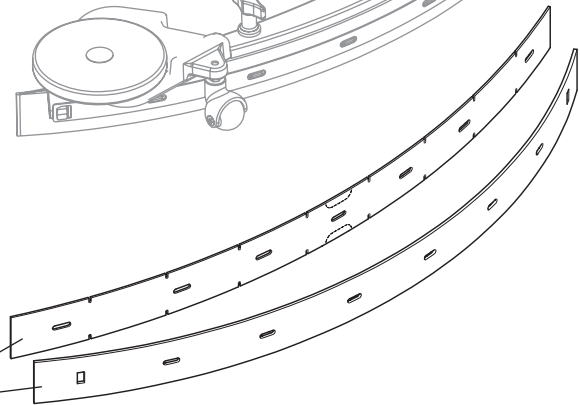
1



7



8

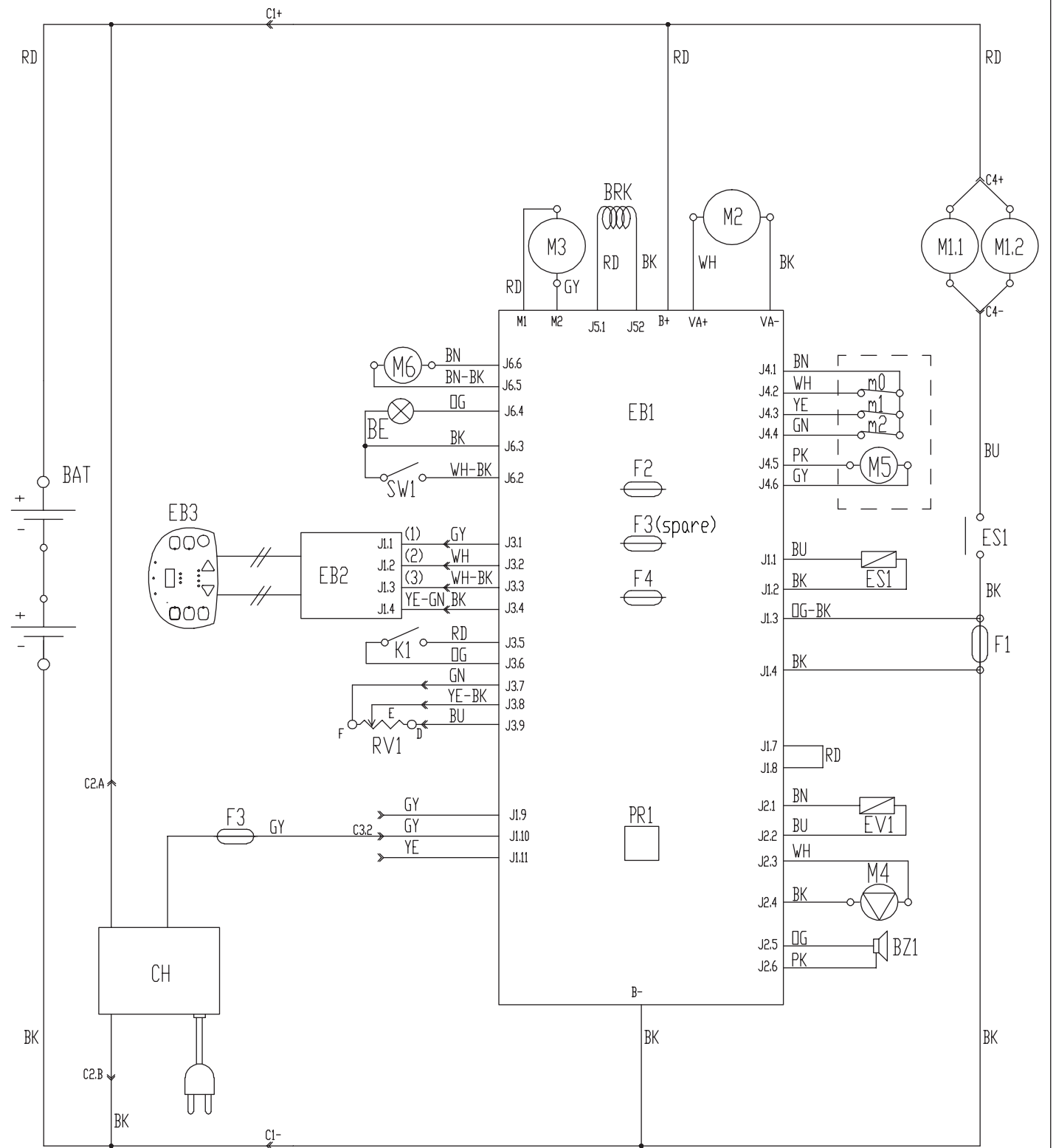




**BRUSHES, BLADES**

KIT	ITEM	REF. NO.	QTY	DESCRIPTION	NOTE
				<b>BRUSHES D.330 FOR BRUSH DECK 26"</b>	
	1*	909 5340 000	2	UNION MIX	
	1*	909 5332 000	2	PROLENE	
	1*	909 5338 000	2	PROLITE	
	1*	909 5334 000	2	MIDGRIT 240	
	1*	909 5336 000	2	MIDLITE GRIT 180	
				<b>PAD HOLDERS</b>	
	2*	909 5330 000	2	PAD HOLDER 330	
	3	L08603936	1	RING NYLON	
	4	L08603965	1	SEAL O-RING	
	5#	56505195	1	RETAINER PAD	
	6*#	10001914	2	PAD 13 330MM RED 5PCS	
	6*#	10001915	2	PAD 13 330MM WHITE 5PCS	
	6*#	10001910	2	PAD 13 330MM BLACK 5PCS	
	6*#	10001911	2	PAD 13 330MM BLUE 5PCS	
	6*#	10001912	2	PAD 13 330MM BROWN 5PCS	
				<b>BLADES KITS</b>	
	7*	9097804000	1	BLADES RUBBER 890MM/35" KIT	
	7*	9099211000	1	BLADES SQUEEGEE 890MM/35 KIT	

WIRING DIAGRAM



**WIRING DIAGRAM**

KEY	REF. NO.	DESCRIPTION	NOTE
BAT	-	24V BATTERIES	
BE#	33023155	BEACON (OPT)	
BRK	9098626000	ELECTROMAGNETIC BRAKE	
BZ1	909 6126 000	BUZZER	
C1#	9100002117	BATTERY CONNECTOR	
C2	-	MAIN CHARGER CONNECTOR	
C3	-	SECONDARY CHARGER CONNECTOR	
C4#	9100002248	BRUSH DECK CONNECTOR SIP	
CH	56383856	CHARGER-ONBOARD 24V 650W	
EB1	9100000183	CARD ELECTRONIC TRACTION/FUNCTION SIP	TO MACH WITH MOTOR DRIVE 9097834000 UNTIL S/N 3510133204430
	9100000024	CARD ELECTRONIC TRACTION KIT	STARTING FROM S/N 3510133204431 TSB FC 2013-117
EB2#	9100000178	CONTROL PANEL ELECTRONIC BOARD	
EB3	9097986000	DECAL CONTROL PANEL ELECTRONIC BOARD	
ES1	9097208000	BRUSH MOTOR ELECTROM. SWITCH	
EV1	909 6555 000	ELECTROVALVE	
F1	145 9854 000	BRUSH DECK FUSE	
F2#	9100000877	MAIN BOARD FUSE	
F3#	9100000878	LOW POWER CIRCUIT FUSE SIP	
F4	145 9853 000	ACTUATOR FUSE	
K1#	9100001354	KEY SWITCH	
M1.1,2#	9100001657	REDUCTION GEARMOTOR 400W 24V KIT	TSB -FC-2015-034
M2	9099929000	VACUUM MOTOR	
M3#	9100002163	MOTOR ELECTRIC 300W 24V KIT	
M4#	9100001819	DETERGENT PUMP	
M5	9100000681	DISC BRUSH DECK ACTUATOR MOTOR	
m0	-	M6 POS. 0 MICROSWITCH	
m1	-	M6 POS. 1 MICROSWITCH	
m2	-	M6 POS. 2 MICROSWITCH	
M6#	9100000682	SQUEEGEE ACTUATOR MOTOR	
PR1#	9100001447	WATER PRESSURE GAGE	
RV1#	9100001421	PEDAL SPEED CONTROL KIT	UNTIL S/N 3510160702621 TSB-FC-2015-030
	9100001420	PEDAL SPEED CONTROL SIP	STARTING S/N 3510160702622 TSB-FC-2015-030
SW1#	9100001152	SEAT MICROSWITCH	

KEY	COLOUR
BK	BLACK
BU	LIGHT BLUE
BN	BROWN
GN	GREEN
GY	GREY
OG	ORANGE

KEY	COLOUR
PK	PINK
RD	RED
VT	VIOLET
WH	WHITE
YE	YELLOW

**RECOMMENDED SPARE PARTS**

REF. NO.	QTY	DESCRIPTION	NOTE
<b>WEAR PARTS</b>			
9098716000	1	BRUSH CARBON KIT	
9099855000	1	BLADES PU KIT	
909 5224 000	1	SPLASH GUARD DECK	
<b>ORDINARY MAINTENANCE</b>			
#	910000703	1	HOSE FILLING SIP
#	9100001890	1	HOSE DRAIN STRECHABLE BLACK L.611MM SIP
	9098169000	1	HOSE SUCTION
	9098172000	1	GASKET COVER
	9098407000	1	WHEEL DRIVE
	9098627000	1	BRUSH CARBON KIT
	9098115000	1	FILTER WATER
	9099163000	2	WHEEL CASTOR D.42
#	9100000772	2	WHEEL D.254 80SH GREY SIP
	909 5380 000	2	BRUSH CARBON W/HOLDER KIT
<b>EXTRAORDINARY MAINTENANCE</b>			
	9098224000	1	MUFF FRESH WATER
	9098709000	1	CAP SOLUTION KIT
#	9100001152	1	MICROSWITCH
	9099929000	1	MOTOR VACUUM 3ST 24V 420W
	9098177000	1	CABLE TANK STOP
	909 6380 000	1	CLAMP KIT
#	9100001420	1	PEDAL SPEED CONTROL SIP
#	9100000178	1	CARD ELECTRONIC DASHBOARD
	9097986000	1	DECAL CONTROL PANEL
#	9100001354	1	SWITCH KEY WITH CAP
	146 2887 000	1	KEY -2 PCS-
	9097792000	1	CABLE DASHBOARD EXTENSION
	9098094000	1	HARNESS STEERING WHEEL
	9098430000	1	HARNESS WHEEL MOTOR
	9098626000	1	BRAKE ELECTRIC.RELEASED
#	9100002163	1	MOTOR ELECTRIC 300W 24V KIT
	909 6555 000	1	SOLENOID VALVE 24V
	9098380000	1	STRAP FRONT SQUEEGEE 35
	9098381000	1	STRAP SKIRT REAR RIGHT 35
	9098382000	1	STRAP SKIRT REAR LEFT 35
	9098390000	1	SUPPORT SQUEEGEE DOWN
	9097827000	1	SUPPORT SQUEEGEE UPPER
#	9100001090	2	ROD EYE M10
#	9100000682	1	JACK MOTOR 24V FOR SQUEEG
	9098708000	1	SQUEEGEE LIFTING KIT
	9098722000	1	CENTRING SQUEEGEE KIT
	909 6394 000	1	LATCH SQUEEGEE KIT
#	1466146000	2	KEY JOINT
#	9100001657	2	REDUCTION GEARMOTOR 400W 24V KIT
	9097640000	1	HOLDER POLYGONAL RIGHT
	9097639000	1	HOLDER POLYGONAL LEFT
	9097850000	1	SPRING DRAGGING DECK
#	9100000681	1	JACK MOTOR 24V FOR DECK
	9097851000	1	SPRING ZERO SETTING BRUSH
	9097813000	1	GUIDE DRAGGING DECK
	9097208000	1	SWITCH ELECTROMAGNETIC
	9100000024	1	CARD ELECTRONIC TRACTION
#	9100001447	1	SENSOR PRESSURE KIT
#	9100000878	1	FUSE 3A
	145 9853 000	1	FUSE 15A
#	9100000877	1	FUSE MIDIFUSE 100A
	145 9854 000	1	STRIP FUSE 50A
#	9100002117	1	CONNECTOR 120A

**RECOMMENDED SPARE PARTS**

REF. NO.	QTY	DESCRIPTION	NOTE
56383856	1	CHARGER-ONBOARD 24V 650W	
56383866	1	CORD-AC NEMA IEC320 - DELTAQ	
9098374000	1	HARNES BRUSH DECK	

**ACCESSORIES / OPTIONALS**

	REF. NO.	QTY	DESCRIPTION	NOTE
#	9100001706	1	MOTOR VACUUM 3 STAGE 670W	
	909 5065 000	1	FILTER ANTIFOAMING	
#	9100001353	1	FILTER SOLUTION TANK	
	9097474000	1	SPLASH GUARD W/BRISTLES	
	9097815000	1	MOP AND TRASH KIT	
	9098164000	1	BEACON KIT	
	9098480000	1	BASKET KIT	
	9098772000	1	NOISE REDUCTION KIT	
	909 5340 000	2	UNION MIX	
	909 5332 000	2	PROLENE	
	909 5338 000	2	PROLITE	
	909 5334 000	2	MIDGRIT 240	
	909 5336 000	2	MIDLITE GRIT 180	
	909 5330 000	2	PAD HOLDER 330	
#	10001914	2	PAD 13 330MM RED 5PCS	
#	10001915	2	PAD 13 330MM WHITE 5PCS	
#	10001910	2	PAD 13 330MM BLACK 5PCS	
#	10001911	2	PAD 13 330MM BLUE 5PCS	
#	10001912	2	PAD 13 330MM BROWN 5PCS	
	9097804000	1	BLADES RUBBER 890MM/35" KIT	
	9099211000	1	BLADES SQUEEGEE 890MM/35 KIT	
#	9100002205	1	DRAINING HAND TOOL KIT	

9435 Winnetka Avenue North  
Brooklyn Park, MN 55445  
[www.advance-us.com](http://www.advance-us.com)  
Phone: 800-989-2235  
Fax: 800-989-6566  
©2018 Nilfisk, Inc.

