

SC3000

Instructions for use

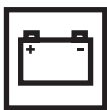
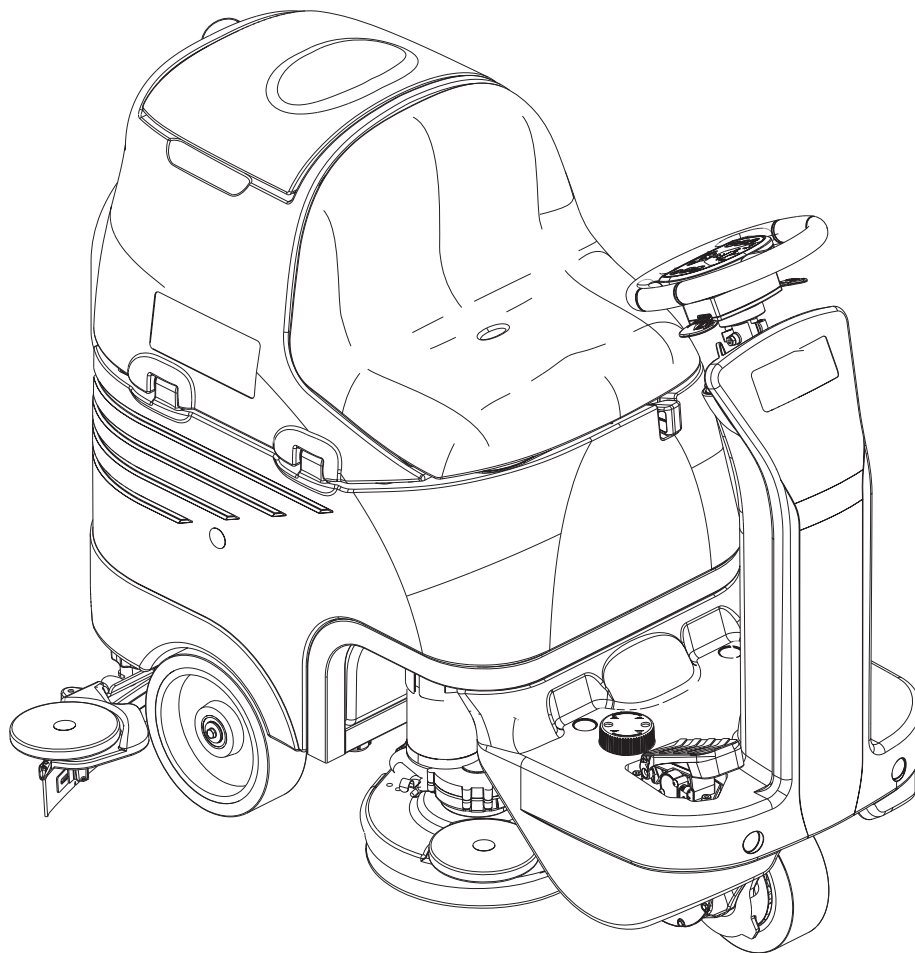
Instrucciones de uso
Instructions d'utilisation
Instruções de uso

10/2010 Revised 03/2018
(G)
FORM NO. 9098827000



ecoflex™

English
Español
Français
Português



Model No.:
9087267020

TABLE OF CONTENTS

INTRODUCTION	2
MANUAL PURPOSE AND CONTENTS	2
TARGET	2
HOW TO KEEP THIS MANUAL	2
IDENTIFICATION DATA	2
OTHER REFERENCE MANUALS	2
SPARE PARTS AND MAINTENANCE	2
CHANGES AND IMPROVEMENTS	2
OPERATION CAPABILITIES	2
CONVENTIONS	2
UNPACKING/DELIVERY	3
SAFETY	3
VISIBLE SYMBOLS ON THE MACHINE	3
SYMBOLS THAT APPEAR ON THIS MANUAL	4
GENERAL INSTRUCTIONS	4
MACHINE DESCRIPTION	6
MACHINE STRUCTURE	6
STEERING WHEEL WITH CONTROL PANEL	8
ACCESSORIES/OPTIONS	9
TECHNICAL DATA	9
WIRING DIAGRAM	10
USE/OPERATION	12
BATTERY CHECK/SETTING ON A NEW MACHINE	12
BATTERY INSTALLATION AND BATTERY TYPE SETTING (WET OR GEL/AGM)	13
BEFORE START-UP	14
MACHINE START AND STOP	16
MACHINE OPERATION (SCRUBBING/DRYING)	17
TANK EMPTYING	19
AFTER USING THE MACHINE	20
PUSHING/TOWING THE MACHINE	20
MAINTENANCE	21
SCHEDULED MAINTENANCE TABLE	21
MACHINE WORKING HOUR CHECK	21
BATTERY CHARGING	22
SQUEEGEE CLEANING	23
SQUEEGEE BLADE CHECK AND REPLACEMENT	23
BRUSHES CLEANING	24
RECOVERY TANK CLEANING	24
VACUUM SYSTEM MOTOR FILTER CLEANING	25
SOLUTION FILTER CLEANING	25
BATTERY COMPARTMENT CLEANING	26
DETERGENT TANK CLEANING	26
ECOFLEX SYSTEM DRAINING	26
FUZE CHECK/REPLACEMENT	27
SAFETY FUNCTIONS	27
EMERGENCY PUSH-BUTTON	27
ANTI-SKID SAFETY SYSTEM	27
DRIVER'S SEAT MICROSWITCH	27
ELECTROMAGNETIC BRAKE	27
TROUBLESHOOTING	27
SCRAPPING	28

INTRODUCTION



NOTE

The numbers in brackets refer to the components shown in Machine Description chapter.

MANUAL PURPOSE AND CONTENTS

The purpose of this Manual is to provide the operator with all necessary information to use the machine properly, in a safe and autonomous way. It contains information about technical data, safety, operation, storage, maintenance, spare parts and disposal. Before performing any procedure on the machine, the operators and qualified technicians must read this Manual carefully. Contact Advance in case of doubts concerning the interpretation of the instructions and for any further information.

TARGET

This Manual is intended for operators and technicians qualified to perform the machine maintenance.

The operators must not perform procedures reserved for qualified technicians. Advance will not be answerable for damages coming from the non-observance of this prohibition.

HOW TO KEEP THIS MANUAL

The Instructions for Use Manual must be kept near the machine, inside an adequate case, away from liquids and other substances that can cause damage to it.

IDENTIFICATION DATA

The machine serial number and model name are marked on the plate (21) on the steering column.

Year of production (Date code: 18 means January 2018) and product code are marked on the same plate.

This information is useful when requiring machine spare parts. Use the following table to write down the machine identification data.

Model
Model Number
Serial Number

OTHER REFERENCE MANUALS

- Electronic battery charger Manual (to be considered as integral part of this Manual)

Moreover, the following Manuals are available:

- Service Manual (that can be consulted at Advance Service Centers)
- Spare Parts List (supplied with the machine)

SPARE PARTS AND MAINTENANCE

All necessary operating, maintenance and repair procedures must be performed by qualified personnel or by Advance Service Centers. Only original spare parts and accessories must be used.

Contact Advance for service or to order spare parts and accessories, specifying the machine model and serial number.

CHANGES AND IMPROVEMENTS

Advance constantly improves its products and reserves the right to make changes and improvements at its discretion without being obliged to apply such benefits to the machines that were previously sold.

Any change and/or addition of accessory must be approved and performed by Advance.

OPERATION CAPABILITIES

This scrubber-dryer is used to clean (scrubbing and drying) smooth and solid floors, in commercial or industrial environment, under safe operation conditions by a qualified operator.

The scrubber-dryer cannot be used for moquette and carpet cleaning.

CONVENTIONS

Forward, backward, front, rear, left or right are intended with reference to the operator's position, that is to say on the driver's seat (17).

UNPACKING/DELIVERY

To unpack the machine, carefully follow the instructions on the packing.

To move the machine manually, see the Pushing/Towing The Machine paragraph.

Upon delivery carefully check that the machine and its packing have not been damaged during transportation. In case of visible damages, keep the packing and have it checked by the carrier that delivered it. Call the carrier immediately to fill in a damage claim.

Check that the machine is equipped with the following features:

- Technical documents:
 - Scrubber-dryer Instructions for use Manual
 - Electronic battery charger Manual
 - Scrubber-dryer Spare Parts List
- No. 2 lamellar fuses
- No. 2 shims for 6 V battery housing



WARNING!

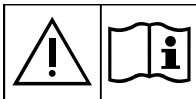
The Products sold with this Manual contain or may contain chemicals that are known to certain governments (such as the State of California, as identified in its Proposition 65 Regulatory Warning Law) to cause cancer, birth defects or other reproductive harm. In certain locations (including the State of California) purchasers of these Products that place them in service at an employment job site or a publicly accessible space are required by regulation to make certain notices, warnings or disclosures regarding the chemicals that are or may be contained in the Products at or about such work sites. It is the purchaser's responsibility to know the content of, and to comply with, any laws and regulations relating to the use of these Products in such environments. The Manufacturer disclaims any responsibility to advise purchasers of any specific requirements that may be applicable to the use of the Products in such environments.

SAFETY

The following symbols indicate potentially dangerous situations. Always read this information carefully and take all necessary precautions to safeguard people and property.

The operator's cooperation is essential in order to prevent injury. No accident prevention program is effective without the total cooperation of the person responsible for the machine operation. Most of the accidents that may occur in a factory, while working or moving around, are caused by failure to comply with the simplest rules for exercising prudence.

VISIBLE SYMBOLS ON THE MACHINE



WARNING!

Carefully read all the instructions before performing any operation on the machine.



WARNING!

Do not wash the machine with direct or pressurized water jets.



WARNING!

Do not use the machine on slopes with a gradient exceeding the specifications.

SYMBOLS THAT APPEAR ON THIS MANUAL



DANGER!

It indicates a dangerous situation with risk of death for the operator.



WARNING!

It indicates a potential risk of injury for people or damage to objects.



CAUTION!

It indicates a caution or a remark related to important or useful functions. Pay careful attention to the paragraphs marked by this symbol.



NOTE

It indicates a remark related to important or useful functions.



CONSULTATION

It indicates the necessity to refer to the Instructions for Use before performing any procedure.

GENERAL INSTRUCTIONS

Specific warnings and cautions to inform about potential damages to people and machine are shown below.



DANGER!

- *Before performing any maintenance, repair, cleaning or replacement procedure disconnect the battery connector and remove the ignition key.*
- *This machine must be used by properly trained operators only.*
- *Do not wear jewelry when working near electrical components.*
- *Do not work under the lifted machine without supporting it with safety stands.*
- *Do not operate the machine near toxic, dangerous, flammable and/or explosive powders, liquids or vapors: This machine is not suitable for collecting dangerous powders.*
- *When using lead (WET) batteries, keep sparks, flames and smoking materials away from the batteries. During the normal operation explosive gases are released.*
- *When using lead (WET) batteries, battery charging produces highly explosive hydrogen gas. During battery charging, lift the recovery tank and perform this procedure in well-ventilated areas and away from naked flames.*



WARNING!

- *Carefully read all the instructions before performing any maintenance/repair procedure.*
- *Before using the battery charger, ensure that frequency and voltage values, indicated on the machine serial number plate, match the electrical mains voltage.*
- *Do not pull or carry the machine by the battery charger cable and never use the battery charger cable as a handle. Do not close a door on the battery charger cable, or pull the battery charger cable around sharp edges or corners. Do not run the machine on the battery charger cable.*
- *Keep the battery charger cable away from heated surfaces.*
- *Do not use the machine if the battery charger cable or plug is damaged. If the machine is not working as it should, has been damaged, left outdoors or dropped into water, return it to the Service Center.*
- *To reduce the risk of fire, electric shock, or injury, do not leave the machine unattended when it is plugged in. Before performing any maintenance procedure, disconnect the battery charger cable from the electrical mains.*
- *Do not smoke while charging the batteries.*
- *To avoid any unauthorized use of the machine, remove the ignition key.*
- *Do not leave the machine unattended without being sure that it cannot move independently.*
- *Always protect the machine against the sun, rain and bad weather, both under operation and inactivity condition. Store the machine indoors, in a dry place: This machine must not be used or kept outdoors in wet conditions.*
- *Before using the machine, close all doors and/or covers as shown in the Instructions for Use Manual.*

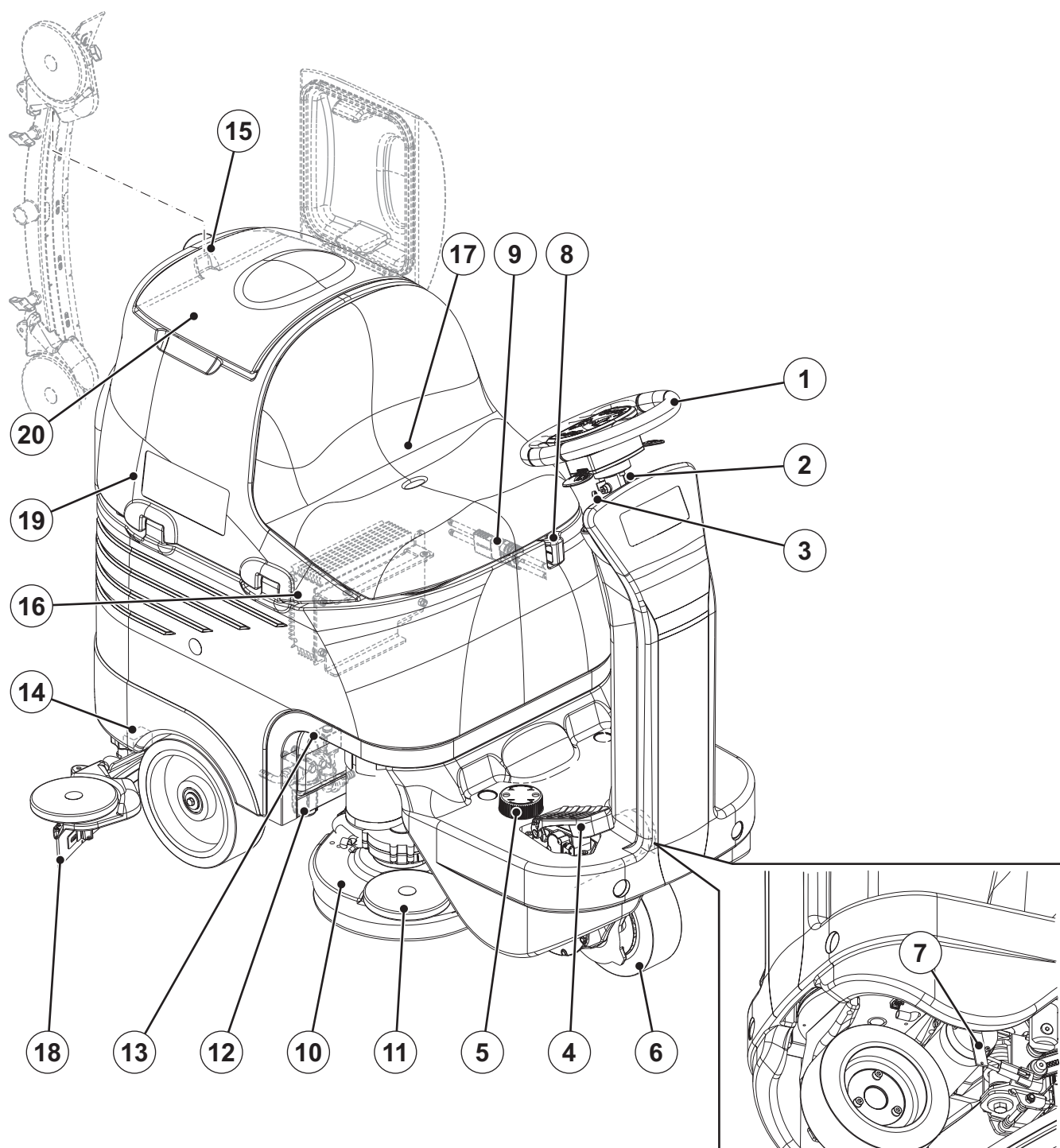
**WARNING!**

- *This machine is not intended for use by persons (including children) with reduced physical, sensory or mental capabilities, or lack of experience and knowledge, unless they have been given supervision or instruction concerning use of the machine by a person responsible for their safety. Children should be supervised to ensure that they do not play with the machine.*
- *Close attention is necessary when used near children.*
- *Use only as shown in this Manual. Use only Advance recommended accessories.*
- *Take all necessary precautions to prevent hair, jewelry and loose clothes from being caught by the machine moving parts.*
- *Do not use the machine on incline.*
- *Do not tilt the machine more than the angle indicated on the machine itself, in order to prevent instability.*
- *Do not use the machine in particularly dusty areas.*
- *Use the machine only where a proper lighting is provided.*
- *If the machine is to be used where there are other people besides the operator, it is necessary to install the pivoting light and the reverse gear buzzer (optional).*
- *While using this machine, take care not to cause damage to people or objects.*
- *Do not bump into shelves or scaffoldings, especially where there is a risk of falling objects.*
- *Do not lean liquid containers on the machine, use the relevant can holder.*
- *The machine operating temperature must be between +32 °F and 104 °F (0 °C and +40 °C).*
- *The machine storage temperature must be between +32 °F and 104 °F (0 °C and +40 °C).*
- *The humidity must be between 30% and 95%.*
- *When using floor cleaning detergents, follow the instructions on the labels of the detergent bottles.*
- *To handle floor cleaning detergents, wear suitable gloves and protections.*
- *Do not use the machine as a means of transport.*
- *Do not allow the brushes to operate while the machine is stationary to avoid damaging the floor.*
- *In case of fire, use a powder fire extinguisher, not a water one.*
- *Do not tamper with the machine safety guards and follow the ordinary maintenance instructions scrupulously.*
- *Do not allow any object to enter into the openings. Do not use the machine if the openings are clogged. Always keep the openings free from dust, hairs and any other foreign material which could reduce the air flow.*
- *Do not remove or modify the plates affixed to the machine.*
- *To manually move the machine, the electromagnetic brake must be disengaged. After moving the machine manually, engage the electromagnetic brake again. Do not use the machine when the electromagnetic brake handwheel is screwed down.*
- *When the machine is to be pushed for service reasons (missing or discharged batteries, etc.), the speed must not exceed 2.5 mph (4 km/h).*
- *This machine cannot be used on roads or public streets.*
- *Pay attention during machine transportation when temperature is below freezing point. The water in the recovery tank or in the hoses could freeze and seriously damage the machine.*
- *Use the brushes and pads supplied with the machine or those specified in the Instructions for Use Manual. Using other brushes or pads could reduce safety.*
- *In case of machine malfunctions, ensure that these are not due to lack of maintenance. Otherwise, request assistance from the authorized personnel or from an authorized Service Center.*
- *If parts must be replaced, require ORIGINAL spare parts from an authorized Dealer or Retailer.*
- *To ensure machine proper and safe operation, the scheduled maintenance shown in the relevant chapter of this Manual, must be performed by the authorized personnel or by an authorized Service Center.*
- *Do not wash the machine with direct or pressurized water jets, or with corrosive substances.*
- *When WET batteries are installed on the machine, do not tilt the machine for more than 30° from the horizontal plane to prevent the highly corrosive acid from leaking out of the batteries. If the machine must be tilted to perform any maintenance procedure, remove the batteries.*
- *The machine must be disposed of properly, because of the presence of toxic-harmful materials (batteries, etc.), which are subject to standards that require disposal in special centers (see Scrapping chapter).*

MACHINE DESCRIPTION

MACHINE STRUCTURE

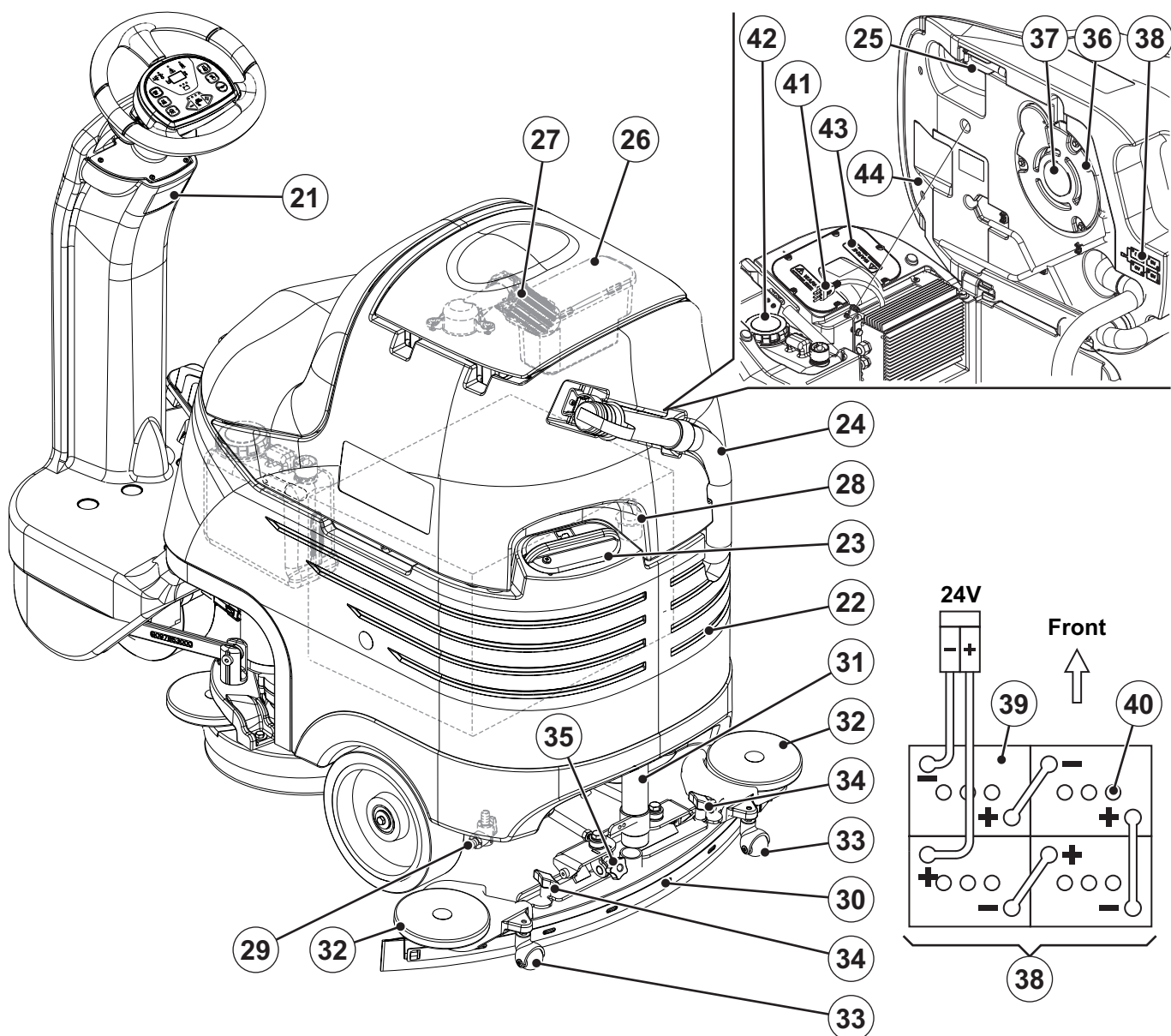
- | | |
|---|--|
| <ol style="list-style-type: none"> 1. Steering wheel with control panel (see the following paragraph) 2. Steering column 3. Ignition key 4. Drive pedal 5. Heel support height adjustment 6. Front steering, driving and braking wheel 7. Electromagnetic brake unlocking lever 8. EMERGENCY push-button, to stop immediately all functions 9. Battery connector 10. Brushes deck | <ol style="list-style-type: none"> 11. Bumper wheel 12. Solution filter 13. Solenoid valve 14. Washing water opening/closing valve 15. Squeegee hook 16. Battery charger 17. Seat 18. Squeegee blades assembly 19. Dumping recovery tank 20. Recovery tank cover |
|---|--|



P100358

MACHINE STRUCTURE (Continues)

- 21. Serial number plate/technical data/conformity certification
- 22. Washing water tank
- 23. Washing water tank filler plug with removable filler hose
- 24. Recovery water drain hose
- 25. Tank assembly stand
- 26. Container with debris collection grid
- 27. Vacuum grid with automatic shut-off float
- 28. Adapter for water removable filler hose and squeegee vacuum hose
- 29. Washing water tank tap
- 30. Squeegee
- 31. Squeegee vacuum hose
- 32. Squeegee bumper wheels
- 33. Squeegee support wheels
- 34. Squeegee mounting handwheels
- 35. Squeegee balance adjusting handwheel
- 36. Vacuum system motor
- 37. Vacuum system motor filter
- 38. Battery connection diagram
- 39. Batteries
- 40. Battery caps
- 41. Battery charger cable
- 42. EcoFlex detergent tank
- 43. Electronic component compartment cover
- 44. Lifted tank assembly and driver's seat



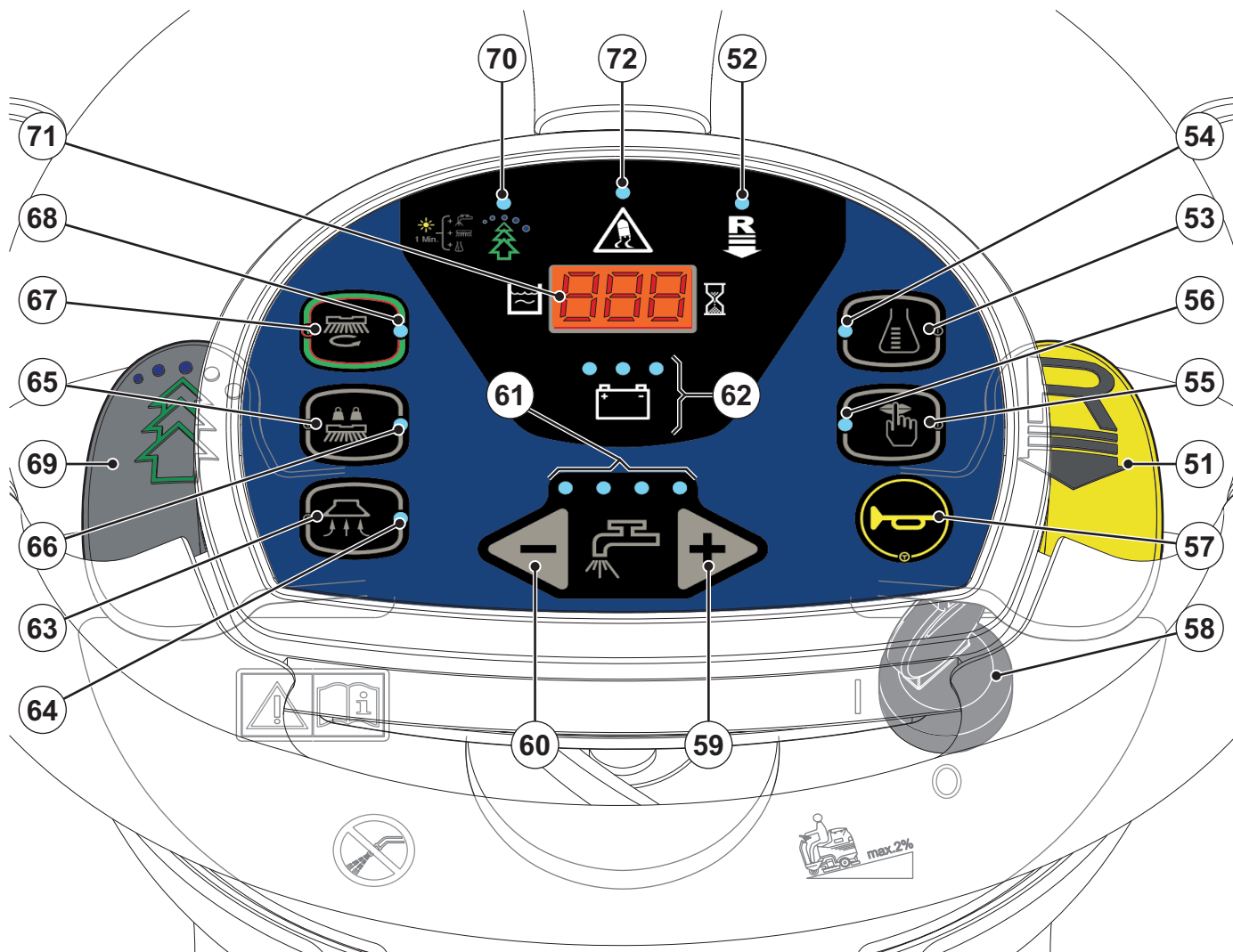
P100359

STEERING WHEEL WITH CONTROL PANEL

- 51. Reverse gear activation/deactivation lever
- 52. Reverse gear LED indicator
- 53. Detergent flow control push-button
- 54. Washing detergent flow control LED indicator
- 55. Mute function push-button
- 56. Mute function LED
- 57. Horn push-button
- 58. Ignition key
- 59. Solution flow increase push-button
- 60. Solution flow decrease push-button
- 61. Solution flow LED indicator
- 62. Battery warning LED
 - Green warning LED - charged battery
 - Yellow warning LED - semi-discharged battery
 - Red warning LED - discharged battery
- 63. Vacuum system push-button
- 64. Vacuum system LED indicator
- 65. Extra pressure push-button
- 66. Extra pressure LED indicator
- 67. One-Touch™ Scrub ON/OFF push-button
- 68. One-Touch™ LED indicator
 - Flashing LED: Brushes deck and squeegee moving up/down
 - Steady LED: Ready for work
- 69. EcoFlex activation/deactivation lever
- 70. EcoFlex system LED indicator:
 - LED on - EcoFlex system on
 - LED flashing - EcoFlex system override
 - LED off - EcoFlex system disabled
- 71. Hour counter and solution level display:
 - When the machine is started, it displays for a few seconds the number of working hours which have been performed.
 - While using the machine, it displays the solution/washing water level in the tank (in gallons).
 - When the level is above 18 US gal, the display indicates "FUL".
 - When the level is under 4 US gal, the display indicates "LO".
 - When the tank is almost empty, "LO" starts flashing.

i NOTE
 The display could indicate "LO" even if the tank is not completely empty, thus allowing to complete the cleaning cycle; in any case, it is recommended to check the actual solution flow supplied to the brushes.

- 72. Anti-skid control activation LED indicator



ACCESSORIES/OPTIONS

In addition to the standard components, the machine can be equipped with the following accessories/options, according to the machine specific use:

- GEL/AGM batteries
- Brushes of different materials
- Pads of different materials
- Squeegee blades of different materials
- Flashing light
- Mop a trash kit
- 0.9 HP (670 W) vacuum system motor

For further information concerning the optional accessories, contact an authorized Retailer.

TECHNICAL DATA

Description	SC3000 26" Disc
Washing water tank capacity	21 US gal (80 liters)
Recovery tank capacity	21 US gal (80 liters)
Machine maximum length	53.5 in (1,360 mm)
Machine width without squeegee	26.4 in (670 mm)
Squeegee width	35 in (890 mm)
Machine height	46.8 in (1,190 mm)
Turning space for U-turns	59 in (1.500 mm)
Cleaning width	26 in (660 mm)
Rear wheel diameter	9.8 in (250 mm)
Rear wheel specific pressure on the floor	130 psi (0.9 N/mm ²)
Front steering, driving and braking wheel diameter	8.8 in (225 mm)
Front wheel specific pressure on the floor	72 psi (0.5 N/mm ²)
Brushes diameter	13 in (330 mm)
Brushes pressure with extra-pressure function turned off	66.1 lb (30 kg)
Brushes pressure with extra-pressure function turned on	105.8 lb (48 kg)
Solution flow	0.26 - 0.8 US gal/min (1 - 3 liters/min)
Sound pressure level at workstation (ISO 11201, ISO 4871, EN 60335-2-72) (LpA)	65 dB(A) ± 3 dB(A)
Machine sound power level (ISO 3744, ISO 4871, EN 60335-2-72) (LwA)	82 dB(A)
Vibration level at the operator's arms (ISO 5349-1, EN 60335-2-72)	< 98,4 in/s ² (< 2.5 m/s ²)
Vibration level at the operator's body (ISO 2631-1, EN 60335-2-72)	3.1 in/s ² (0.8 m/s ²)
Maximum gradient when working	2% (1,14°)
Drive system motor power	0.4 HP (300 W)
Maximum speed	3.7 mph (6 km/h)
Vacuum system motor power	0.56 HP (420 W)
Vacuum system capacity	0.0098 MPa (1,000 mmH ₂ O)
Brushes motor power	2 x 0.53 HP (2 x 400 W)
Brushes speed	230 rpm
Total absorbed power	63 A (1,5 kW)
IP protection class	X4
Battery compartment size (length x width x height)	14.9 x 21.2 x 11.8 in (380 x 540 x 300 mm)
Battery type	4 6 V batteries, 180 Ah C5 (WET)
	4 6 V batteries, 180 Ah C5 (GEL/AGM)
Weight without batteries and with empty tanks	390 lb (177 kg)
Weight with batteries and empty tanks	672 lb (305 kg)
Gross vehicle weight (GVW)	999 lb (453 kg)
Shipping weight	461 lb (209 kg)

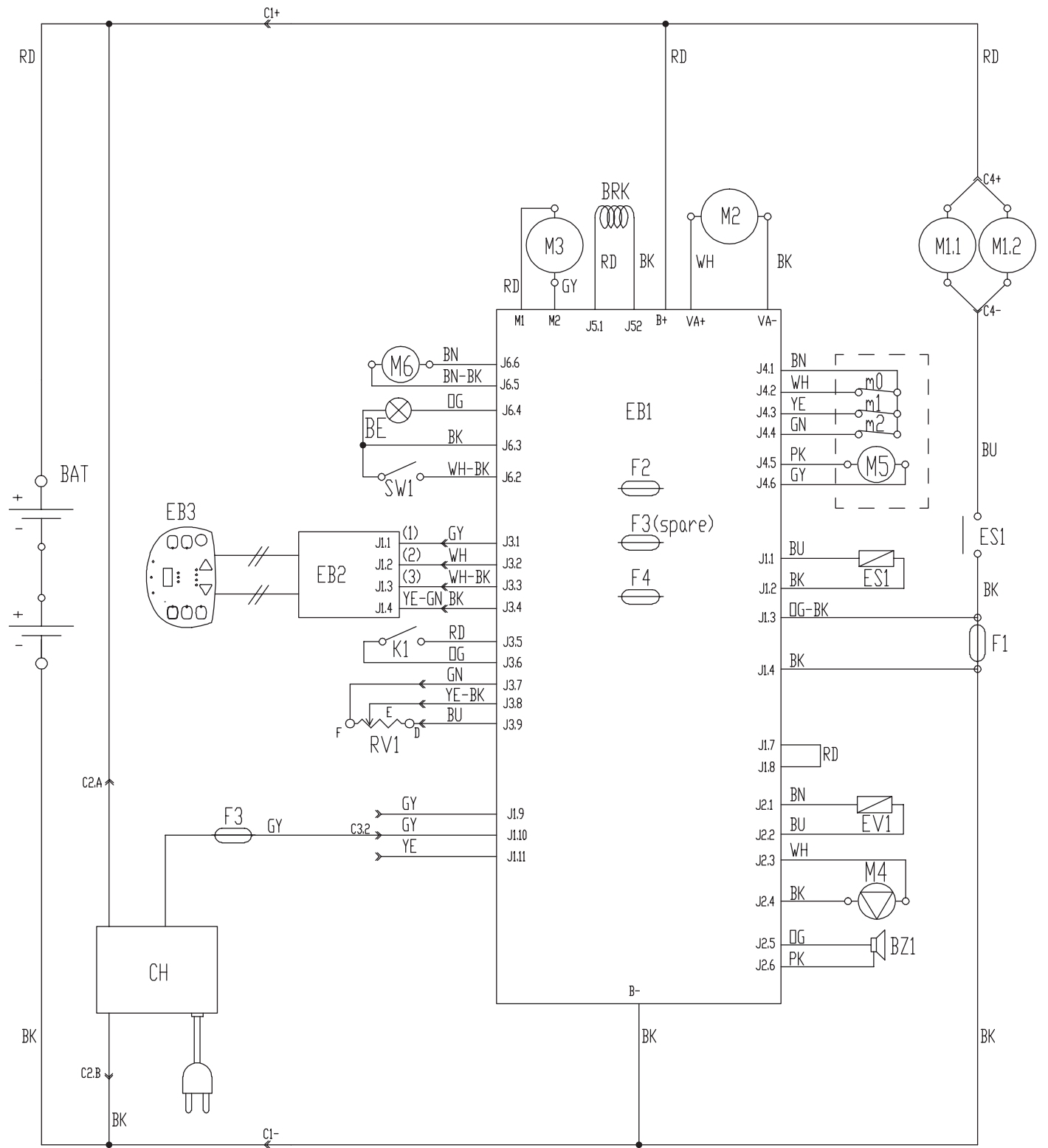
WIRING DIAGRAM**Key**

BAT	24 V battery box
BE	Flashing light (optional)
BRK	Electromagnetic brake
BZ1	Reverse gear warning buzzer/horn
C1	Battery connector
C2	Battery charger main connector
C3	Battery charger sub-connector
C4	Brushes deck connector
CH	Battery charger (optional)
EB1	Function electronic board
EB2	Display electronic board
EB3	Dashboard instrument electronic board
ES1	Brushes electromagnetic switch
EV1	Solenoid valve
F0	Battery fuse
F1	Brushes deck fuse
F2	Main electronic board fuse
F3	Signal circuit fuse
F4	Actuator fuse
K1	Ignition switch
M1.1,2	Brush motors
M2	Vacuum system motor
M3	Drive system motor
M4	Detergent pump (optional)
M5	Brushes deck actuator motor
M6	Squeegee actuator motor
m0	Squeegee actuator position 0 microswitch
m1	Squeegee actuator position 1 microswitch
m2	Squeegee actuator position 2 microswitch
PR1	Washing water level pressure switch
RV1	Drive pedal potentiometer
SW1	Driver's seat microswitch

Color codes

BK	Black
BU	Blue
BN	Brown
GN	Green
GY	Grey
OG	Orange
PK	Pink
RD	Red
VT	Violet
WH	White
YE	Yellow

WIRING DIAGRAM (Continues)



P100361A

USE/OPERATION

**WARNING!**

On some points of the machine there are some adhesive plates indicating:

- **DANGER**
- **WARNING**
- **CAUTION**
- **CONSULTATION**

While reading this Manual, the operator must pay particular attention to the symbols shown on the plates. Do not cover these plates for any reason and immediately replace them if damaged.

BATTERY CHECK/SETTING ON A NEW MACHINE

**WARNING!**

The electric components of the machine can be seriously damaged if the batteries are either improperly installed or connected. The batteries must be installed by qualified personnel only. Set the function electronic board according to the type of batteries installed (WET or GEL/AGM).

Check the batteries for damage before installation.

Disconnect the battery connector and the battery charger plug.

Handle the batteries with great care.

Install the battery terminal protection caps supplied with the machine.

The machine requires 4 6 V batteries, connected according to the diagram (38).

The machine can be supplied in one of the following modes:

Batteries (WET or GEL/AGM) already installed and ready to be used

1. Open the cover (20) and check that the recovery tank (19) is empty, otherwise empty it with the drain hose (24).
2. Close the cover (20).
3. Carefully lift the tank assembly (44).
4. Check that the batteries are connected to the machine with the connector (9).
5. Carefully lower the tank assembly (44).
6. When first using the machine with new batteries, perform a full charging cycle (see the procedure in Maintenance chapter).

Without batteries

1. Buy appropriate batteries (see the Technical Data paragraph).
For battery choice and installation, apply to qualified battery Retailers.
2. Set the machine according to the type of batteries installed (WET or GEL/AGM) (see the following paragraph).
3. Install the batteries (see the following paragraph).
4. Charge the batteries (see the procedure in Maintenance chapter).

BATTERY INSTALLATION AND BATTERY TYPE SETTING (WET OR GEL/AGM)



Battery installation

1. Open the cover (20) and check that the recovery tank (19) is empty, otherwise empty it with the drain hose (24).
2. Close the cover (20).
3. Carefully lift the tank assembly (44).
4. Install the batteries and connect them according to the diagram (38).

Battery type setting

Set the machine electronic board and the battery charger according to the type of batteries installed (WET or GEL/AGM) as shown below:

5. Turn the ignition key (58) to "I" and, in the very first seconds of machine operation, detect the current setting by counting the number of flashes of the battery warning LEDs (62), as shown in the following table:

SETTING	DISPLAY (71)	BATTERY WARNING LED INDICATION (62)	BATTERY TYPE
1		4 flashes of the red warning LED	WET
2		4 flashes of the green warning LED	GEL-AGM

6. If the setting is to be changed, perform the following procedure.
7. Turn off the machine by turning the ignition key (58) to "0".
8. Press and hold the push-buttons (67) and (63) at the same time, then turn the ignition key (58) to "I".
9. Release the push-buttons (67) and (63) at least 5 seconds after starting the machine.
10. Within 3 seconds, shortly press the push-button (63) to go to the next setting (1 to 6 in cyclic sequence).



NOTE

When performing steps 9 and 10, the settings are shown on the display (71) too, by the code in the table.



NOTE

The battery charger must be set according to its own User manual.

Battery charging

11. Charge the batteries (see the procedure in Maintenance chapter).

BEFORE START-UP**WARNING!**

At every machine start-up, check that, between the deck (10 and 28) and the machine or between the squeegee (30) and the machine, there is no foreign material which may prevent the deck and the squeegee from lifting. This check is necessary because, if the machine has been turned off without lifting the deck and the squeegee, when turned on again, the deck and the squeegee lift automatically.

Brushes installation/removal

According to the kind of cleaning to be performed, the machine can be equipped either with brushes (A, Fig. 1) or pad-holders (B) with pads (C) together with the appropriate deck.

For the installation/removal, proceed as follows.

1. Insert the ignition key (58) and turn it to "I".

**WARNING!**

Before pressing the One-Touch push-button (67), always check that, between the deck (10) and the machine there is no foreign material which may prevent the deck from lifting.

2. Lift the deck by pressing the One-Touch push-buttons (67).
3. Turn the ignition key (58) to "0" and remove it.
4. Install the brushes/pad-holders (A or B) in the drive hub (D) under the deck, then turn them in the opposite direction to their rotation direction, until they reach the end of stroke (E).
5. To remove the brushes perform steps 1 to 3, then manually release the brush from the hub by turning it abruptly in its normal rotation direction (F).

**WARNING!**

If the machine is not perfectly assembled it can cause damages to people and properties. Always check that all components are assembled before starting the machine. Carefully inspect the machine before using it.

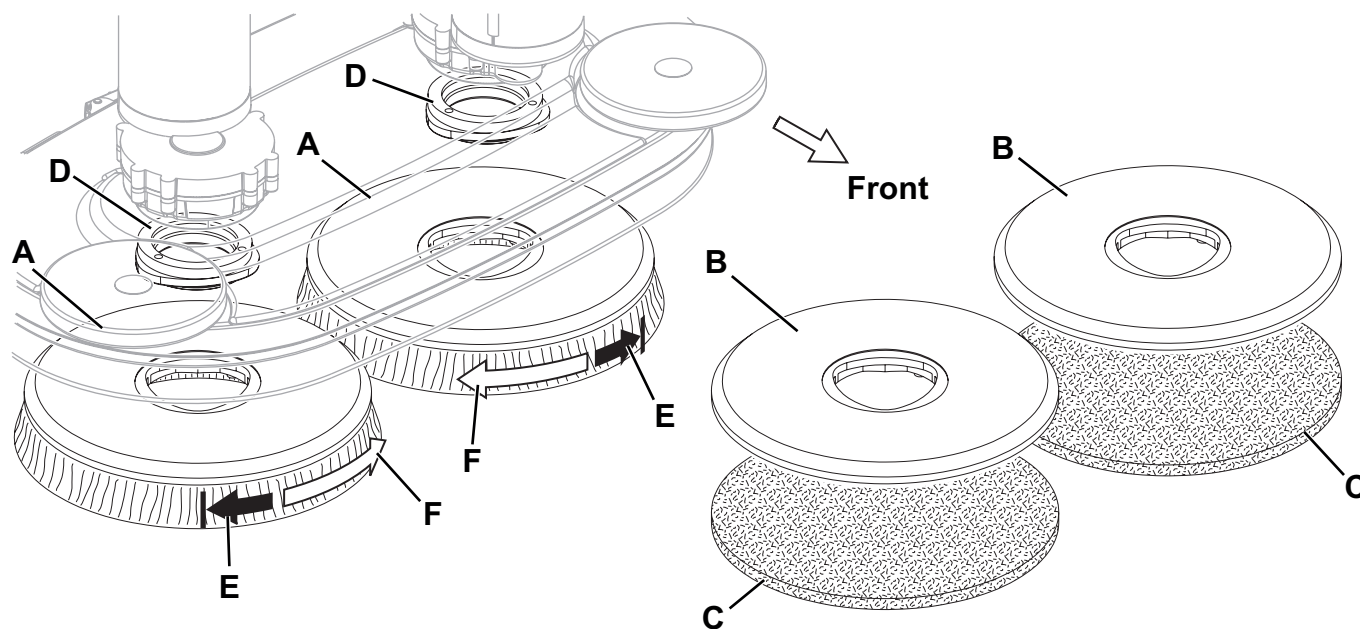


Figure 1

P100362

Available brushes and their relevant application guides (suggestions only)

Models	MIDLITE GRIT 180	MIDGRIT 240	PROLENE	PROLITE	UNION MIX
General cleaning:					
Concrete					
Terrazzo floor					
Ceramic tiles/quarrrystones					
Marble					
Vinyl tiles					
Rubber tiles					
Polishing:					
Rubber tiles					
Marble					
Vinyl tiles					

Squeegee installation

1. Install the squeegee (30) and fasten it with the handwheels (34), then connect the vacuum hose (31) to the squeegee.
2. With the handwheel (35), adjust the squeegee so that the rear blades (18) - in all its length - touches the floor and the front blade is slightly detached from the floor.

Washing water tank filling

1. Open the plug (23).
2. Fill the tank (22) with clean water by using the removable filler hose.
Do not fill the tank (22) completely, leave a few inches from the edge of the plug (23).
The water temperature must not exceed 40 °C.

Detergent EcoFlex tank filling**CAUTION!**

Use only low-foam and non-flammable detergents, intended for automatic scrubber applications.

**WARNING!**

*When using floor cleaning detergents, follow the instructions on the labels of the detergent bottles.
To handle floor cleaning detergents, wear suitable gloves and protections.*

1. Open the cover (20) and check that the recovery tank (19) is empty, otherwise empty it with the drain hose (23).
2. Close the cover (20).
3. Carefully lift the tank assembly (44).
4. Open the detergent tank plug (42).
5. Fill the tank with a detergent suitable for the work to be performed (highly concentrated detergent).
Do not fill the detergent tank completely, leave a few inches from the edge.

**NOTE**

If the detergent tank is empty (in case of new system, system emptied for cleaning, etc.), in order to fill the hose quickly, it may be useful to drain EcoFlex system once or several times (see the procedure in Maintenance chapter).

Operator's position adjustment

1. Adjust the height of the heel support (5) to reach a comfortable position.

MACHINE START AND STOP

Starting the machine

1. Prepare the machine as shown in the previous paragraph.
2. Turn the ignition key (58) to "I" without pressing the drive pedal (4). Check if the battery green LED (62) turns on. If the yellow or red LED turns on, turn the ignition key (58) back to "0" and charge the batteries (see the procedure in Maintenance chapter).
3. Drive the machine to the working place by keeping the hands on the steering wheel and pressing the pedal (4). The drive speed can be adjusted from zero to maximum speed by increasing the pressure on the pedal (4).
4. The forward/reverse gear is selected with the relevant lever (51) which is at the right of the steering wheel.



NOTE

The driver's seat (17) is equipped with a safety sensor, which allows the machine to be driven by pressing the pedal (4) only when the operator is on the driver's seat.



NOTE

The machine is equipped with an anti-skid safety system (LED (72) flashing) that reduces the speed when turning and when the machine tilts laterally, irrespectively of the pressure on the pedal. In this case, the reduction of speed is not a malfunction but a characteristic that improves the machine stability and safety in every condition.

5. Lower the brushes deck and the squeegee by pressing the One-Touch push-button (67).
6. Press the solution flow control push-buttons (59 and 60) according to the type of cleaning to be performed.
7. Start scrubbing, by turning the steering wheel (1) and moving the machine forward by pressing the pedal (4).



NOTE

The machine is equipped with a safety system that turns on the brushes and vacuum system only when the machine is moving.

Stopping the machine

8. Release the pedal (4).
It is not necessary to lock the machine during stopping or parking, because the electromagnetic brake on the wheel turns on automatically when the drive pedal is not pressed.
9. Lift the brushes deck and the squeegee by pressing the One-Touch push-button (67).



CAUTION!

In the event of an emergency, to stop all machine functions immediately, press firmly the emergency push-button (8).

To reset the machine function, lift the recovery tank assembly (44) and reconnect the battery connector (9).

MACHINE OPERATION (SCRUBBING/DRYING)

1. Start the machine as shown in the previous paragraph.
2. If necessary, adjust the solution quantity by pressing the push-buttons (59 and 60).
3. If necessary, to reduce the noise, turn on the mute function by pressing the push-button (55).



NOTE

It is suggested to use the mute function only on smooth floors without joints.



NOTE

For correct scrubbing/drying of floors at the sides of the walls, Advance suggests to go near the walls with the right side of the machine as shown in figure 2.

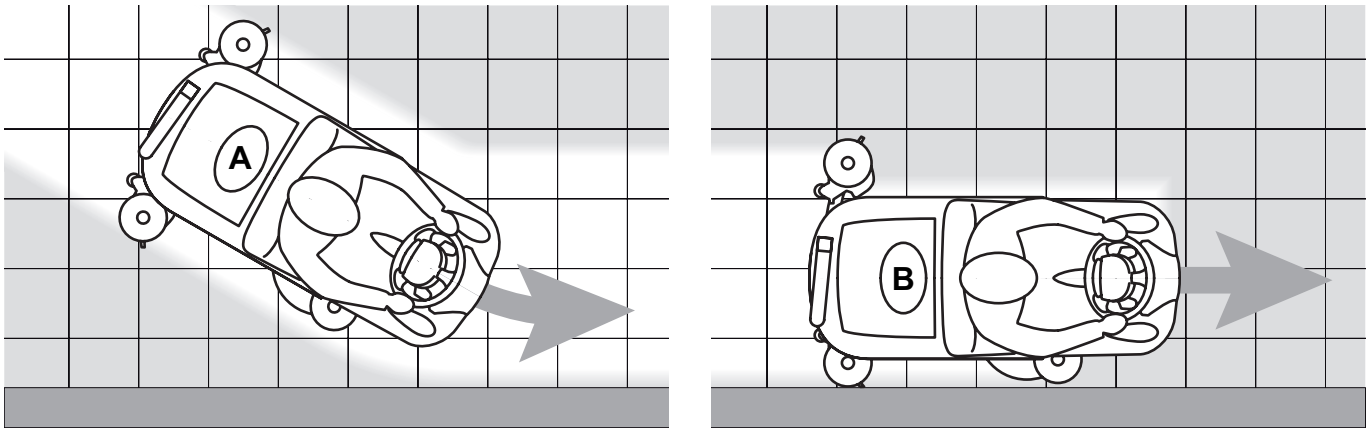


Figure 2

P100364

Squeegee adjustment

4. If necessary, stop the machine and turn the squeegee balance adjusting handwheel (35) so that the rear blade - in all its length - touches the floor.

Adjustment of the detergent concentration in the solution

The system used to mix the detergent with the washing water can be activated by pressing the detergent flow control push-button (A, Fig. 3): when the LED (B) is on, the detergent is added to the washing water.

The display (C) shows the detergent concentration level in the solution as shown in the table in Figure 3.



NOTE

The detergent concentration in the solution dispensed from the system always corresponds to level 1. In order to temporarily obtain a stronger concentration, press the EcoFlex or disable the EcoFlex system (see the relevant paragraph).

EcoFlex function

Lift the EcoFlex lever (D, Fig. 3) whenever a stronger washing power is required.

When lifting the lever (D) (LED (E) flashing) the solution flow increases, the extra pressure function activates and the detergent concentration in the corresponding solution rises to the set level (moreover, if the detergent mixing function is not activated, it activates automatically).

The original settings can be restored by lifting the lever (D) once again (LED (E) on).



NOTE

If the lever (D) is not lifted once again, the original settings are restored automatically after 60 seconds.

In order to change the actual detergent concentration, proceed as follows:

1. Turn off the detergent flow control push-button (A) (the LED (B) must be OFF).
2. Press and hold the detergent flow control push-button (A) until the LED (B) flashes.
3. Release the push-button (A). Press it again shortly to go to the next level shown by the display (C) as shown in the table in Figure 3; repeat the procedure until the desired setting is reached.
4. Wait until the LED (B) stops flashing: the new level is now set.



NOTE

Detergent percentage setting is stored into memory, even if the machine is turned off.

EcoFlex system disabling procedure

In order to temporarily disable the system, lift the EcoFlex lever (D, Fig. 3) and keep it lifted for 2 seconds. After this procedure, (LED (D) off), the detergent concentration level is the one which has been set. To enable the system, lift the EcoFlex lever (D) again.

In order to permanently disable the EcoFlex system, proceed as follows:

1. Turn off the machine by turning the ignition key (58) to "0".
2. Lift the lever (D), then turn the ignition key (58) to "I".
3. Release the lever (D) at least 8 seconds after turning on the machine.

After this procedure, the EcoFlex lever cannot be operated again (LED (E) off) and the detergent concentration level is the one which has been set.

In order to re-enable the system, repeat the steps 1 to 3.



NOTE

The permanent disabling of the EcoFlex system is stored into memory even after the machine is turned off.

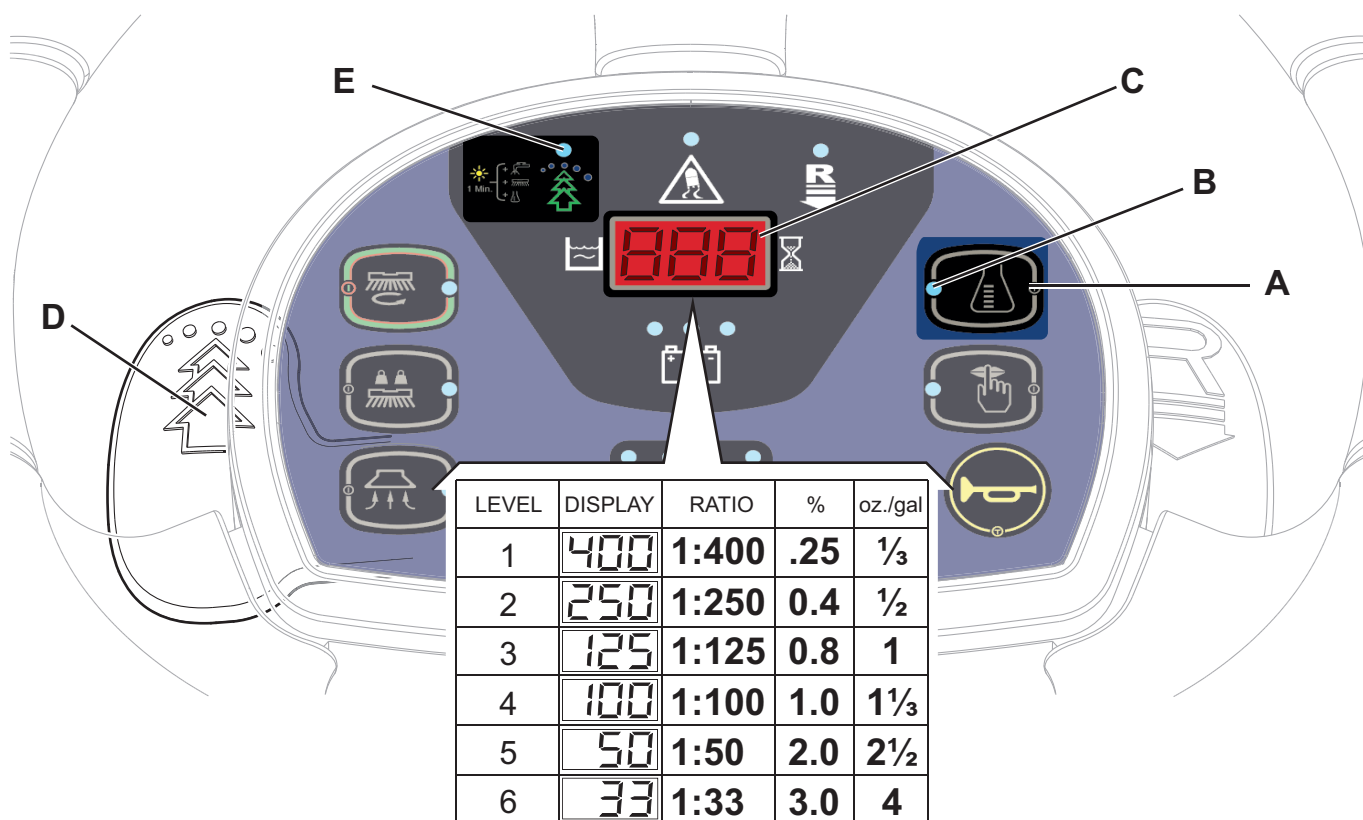


Figure 3

P100365A

Working with brushes extra pressure function activated

1. If the floor proves to be particularly difficult to clean, it is possible to turn on the brushes extra pressure function by pressing the push-button (65).
2. To return to normal pressure, press the push-button (65) again.
The push-button (65) is enabled only when the deck (10) is lowered and the LED (68) of the One-Touch push-button (67) is on.



CAUTION!

In case of brushes motor overload, due to foreign bodies which prevent them from turning, or to excessively aggressive floors/brushes, the safety system stops the brushes/pad-holders after about one minute of continuous overload.

The overload is shown by the three battery warning LEDs (62) flashing simultaneously.

If the overload takes place when the extra pressure function is on, the system automatically reduces the pressure on the brushes/pad-holders, thus turning the extra pressure function off. If the overload persists, the brushes/pad-holders stop.

To start scrubbing again after a brushes stop due to overload, stop the machine by turning the ignition key (58) to "0". Turn on the machine by turning the ignition key (58) to "I".

Battery discharge during operation

1. Until the green warning LED (62) stays on, the batteries allow the machine to work normally.
When the green warning LED turns off and first the yellow warning LED then the red warning LED turn on, the batteries must be charged.
 - When the yellow warning LED turns on the machine residual autonomy will last for a few minutes (depending on the characteristics of the battery).
 - When the red warning LED turns on the machine autonomy is over: after a few seconds the brushes/pad-holders are automatically stopped and the deck is automatically lifted. Only vacuum and drive systems still operate, just to dry the wet floor and move the machine to the appointed charging area.



CAUTION!

Do not use the machine with discharged batteries, to avoid damaging the batteries and reducing the battery life.



NOTE

In case the machine drive system cannot be used in order to move the machine, see Pushing/Towing The Machine paragraph.

TANK EMPTYING

An automatic float shut-off system (27) turns off the vacuum system when the recovery tank (19) is full.

The vacuum system deactivation is signaled by a sudden increase in the vacuum system motor noise frequency, also the floor has not dried.



CAUTION!

If the vacuum system turns off accidentally (for example, when the float is activated because of a sudden machine movement), to resume the operation: turn off the vacuum system by pressing the push-button (63), then open the cover (20) and check that the float inside the grid (27) has gone down to the water level. Then close the cover (20) and turn on the vacuum system by pressing the push-button (63).

When the recovery tank (19) is full, empty it according to the following procedure.

Recovery tank emptying

1. Stop the machine by releasing the pedal (4).
2. Lift the brushes deck and the squeegee by pressing the One-Touch push-button (67).
3. Drive the machine to the appointed disposal area.
4. Empty the recovery tank with the hose (24).
5. Remove the container with debris collection grid (26), empty it and clean it with clean water. Then install it on the suction hose in the tank.
6. Then, rinse the tank with clean water.

Washing water tank emptying

7. Perform steps 1 to 3.
8. Remove the adapter (28) from its housing inside the battery compartment.
9. Install the adapter (A, Fig. 4) on the squeegee vacuum hose (B), then fasten it to the drain valve (C).
10. Turn the ignition key (58) to "I" and turn on the vacuum system with the push-button (63).
11. Open the drain valve (C) to drain the tank (22).
The valve (C) is open when it is in the position (D) and it is closed when it is in the position (E).
12. Then, turn of the vacuum system and drain the recovery tank (19) with the hose (24).
13. When the procedure is over, close the drain valve (C), remove the adapter (A) and install the vacuum hose (B) on the squeegee (30).

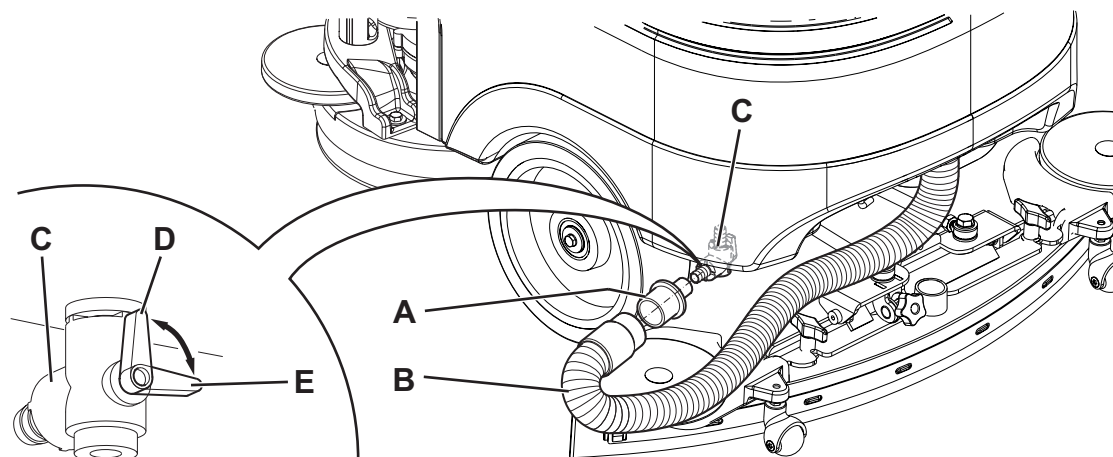


Figure 4

P100366

AFTER USING THE MACHINE

After working, before leaving the machine:

1. Remove the brushes/pad-holders as shown in the relevant paragraph.
2. Empty the tanks (19 and 22) as shown in the previous paragraph.
3. Remove the squeegee (30) and clean it with hot water. Open the recovery tank cover (20) and hang the squeegee on the recovery tank by using the relevant hook (15).
4. Perform the daily maintenance procedures (see the Maintenance chapter).
5. Store the machine in a clean and dry place, with the brushes/pad-holders and the squeegee lifted or removed.

PUSHING/TOWING THE MACHINE

To push/tow the machine easily when the drive system cannot be used (for example in case of missing batteries, discharged batteries, etc.), disengage the electromagnetic brake by pulling the lever (7) and locking it with a spacer.

When the operation is over, remove the spacer under the lever (7) to activate the electromagnetic brake again.

**WARNING!**

If the lever (7) is not disengaged after pushing/towing the machine, the electromagnetic brake is disengaged.

**WARNING!**

Do not start the machine when the electromagnetic brake is disengaged.

For safety reasons, it is recommended to disengage the electromagnetic brake only for the time necessary to manually move the machine.

MACHINE LONG INACTIVITY

If the machine is not going to be used for more than 30 days, proceed as follows:

1. Perform the procedures shown in After using the machine paragraph.
2. Empty the EcoFlex detergent tank (38) and clean the system with a draining cycle (see the procedure in Maintenance chapter).
3. Close the washing water valve (14).
4. Press the emergency push-button (8) to disconnect the battery connector (9).
5. Keep the recovery tank assembly (19) lifted by using the stand (25).

MAINTENANCE

The lifespan of the machine and its maximum operating safety are ensured by correct and regular maintenance. The following chart provides the scheduled maintenance. The intervals shown may vary according to particular working conditions, which are to be defined by the person in charge of the maintenance.



WARNING!

The procedures must be performed with the machine off and the battery disconnected. Moreover, carefully read the instructions in the Safety chapter.

All scheduled or extraordinary maintenance procedures must be performed by qualified personnel, or by an authorized Service Center.

This Manual describes only the easiest and most common maintenance procedures.



NOTE

For other maintenance procedures shown in the Scheduled Maintenance Table, refer to the Service Manual that can be consulted at any Service Center.

SCHEDULED MAINTENANCE TABLE

Procedure	Daily, after using the machine	Weekly	Every six months	Yearly
Battery charging				
Squeegee cleaning				
Brush/pad cleaning				
Tank, debris collection grid and vacuum grid with float cleaning, and cover gasket check				
EcoFlex system cleaning and draining				
Squeegee blade check and replacement				
Solution filter cleaning				
Vacuum system motor filter cleaning				
Battery (WET) fluid level check				
Cleaning the external dust around each motors				
Electromagnetic brake efficiency check			(1)	
Brushes motor carbon brush check or replacement				(1)
Vacuum system motor carbon brush check or replacement				(1)
Drive system motor carbon brush check or replacement				(1)

(1) This maintenance procedure must be performed by a Advance authorized Service Center.

MACHINE WORKING HOUR CHECK

1. Insert the ignition key (58) and turn it to "I".
2. In the first 2 seconds of machine operation, the display (71) shows the total number of working hours (scrubbing/drying) performed by the machine.
Turn the ignition key (58) to "0".

BATTERY CHARGING**NOTE**

Charge the batteries when the yellow or red warning LED (62) turns on, or at the end of every working cycle. Keeping the batteries charged make them last longer.

**CAUTION!**

When the batteries are discharged, charge them as soon as possible, as that condition makes their life shorter. Check for battery charge at least once a week.

**WARNING!**

When using lead (WET) batteries, battery charging produces highly explosive hydrogen gas. During battery charging, lift the recovery tank and perform this procedure in well-ventilated areas and away from naked flames. Do not smoke while charging the batteries.

While charging the battery, always keep the tank assembly open with the relevant stand (25).

**WARNING!**

Pay close attention when charging WET CELL batteries, as there may be battery fluid leakages. The battery fluid is corrosive. If it comes in contact with skin or eyes, rinse thoroughly with water and consult a physician.

Preliminary procedures

1. Drive the machine to the appointed recharging area.
2. Ensure that the machine is off and the ignition key (58) has been removed.
3. Open the cover (20) and check that the tank (19) is empty, otherwise empty it with the drain hose (24).
4. Close the cover (20).
5. Carefully lift the tank assembly (44).
6. (For WET batteries only) Check the level of electrolyte inside the batteries (39). If necessary, unscrew the plugs (40) and top up.
When the correct level is reached, close the caps (40) and, if necessary, clean the upper surface of the batteries.

Battery charging

7. Connect the battery charger cable (41) to the electrical mains (the electrical mains voltage and frequency must be compatible with the battery charger values shown on the machine serial number plate).

**NOTE**

When the battery charger is connected to the electrical mains, all machine functions are automatically cut off.

When the red LED is on (62) with a steady light indicates that the battery charger is charging the batteries.

When the yellow LED is on (62) with a steady light indicates that the charger is completing the battery charge.

When the green LED is on, the battery charging cycle is complete.

8. Disconnect the battery charger cable (41) from the electrical mains and wind it round its housing behind the battery charger.
9. Carefully lower the tank assembly (44).
10. Now the machine is ready to be used.

**NOTE**

For further information about the battery charger operation (16), see the relevant Manual.

SQUEEGEE CLEANING



NOTE

The squeegee must be clean and its blades must be in good conditions in order to get a good drying.



CAUTION!

It is advisable to wear protective gloves when cleaning the squeegee because there may be sharp debris.

1. Drive the machine on a level floor.
2. Insert the ignition key (58) and turn it to "I".
3. Lower the squeegee (30) by pressing the push-button (63).
4. Turn the ignition key (58) to "0".
5. Disconnect the vacuum hose (31) from the squeegee.
6. Loosen the handwheels (34) and remove the squeegee (30).
7. Wash and clean the squeegee. In particular, remove dirt and debris from the compartments (A, Fig. 6) and the hole (B). Check that the front blade (C) and the rear blade (D) are integral and free from cuts and lacerations; if necessary replace them.
8. Assemble in the reverse order of disassembly.

SQUEEGEE BLADE CHECK AND REPLACEMENT

1. Clean the squeegee (Fig. 6) as shown in the previous paragraph.
2. Check that the edge (E) of the front blade (C) and the edge (F) of the rear blade (D) lay down on the same level, along their length; otherwise adjust their height according to the following procedure:
 - Remove the tie rod (G), disengage the fastener (M) and adjust the rear blade (D); then engage the fastener and install the tie rod.
 - Loosen the handwheels (I) and adjust the front blade (C), then tighten the handwheels.
3. Check the front blade (C) and rear blade (D) for integrity, cuts and tears; otherwise replace them according to the following procedure. Check the front corner (J) of the rear blade for wear; if necessary, overturn the blade to replace the worn corner with an integral one. If the other corners are worn too, replace the blade according to the following procedure:
 - Remove the tie rod (G), disengage the fastener (M) and remove the retaining strip (K), then replace/overturn the rear blade (D).
 - Install the blade in the reverse order of removal.
 - Unscrew the handwheels (I) and remove the retaining strip (L), then replace the front blade (C).
 - Install the blade in the reverse order of removal.

After the blade replacement (or overturning), adjust the height as shown in the previous step.
4. Connect the vacuum hose (31) to the squeegee.
5. Install the squeegee (30) and screw down the handwheels (34).
6. If necessary, adjust the squeegee balance adjusting handwheel (35).

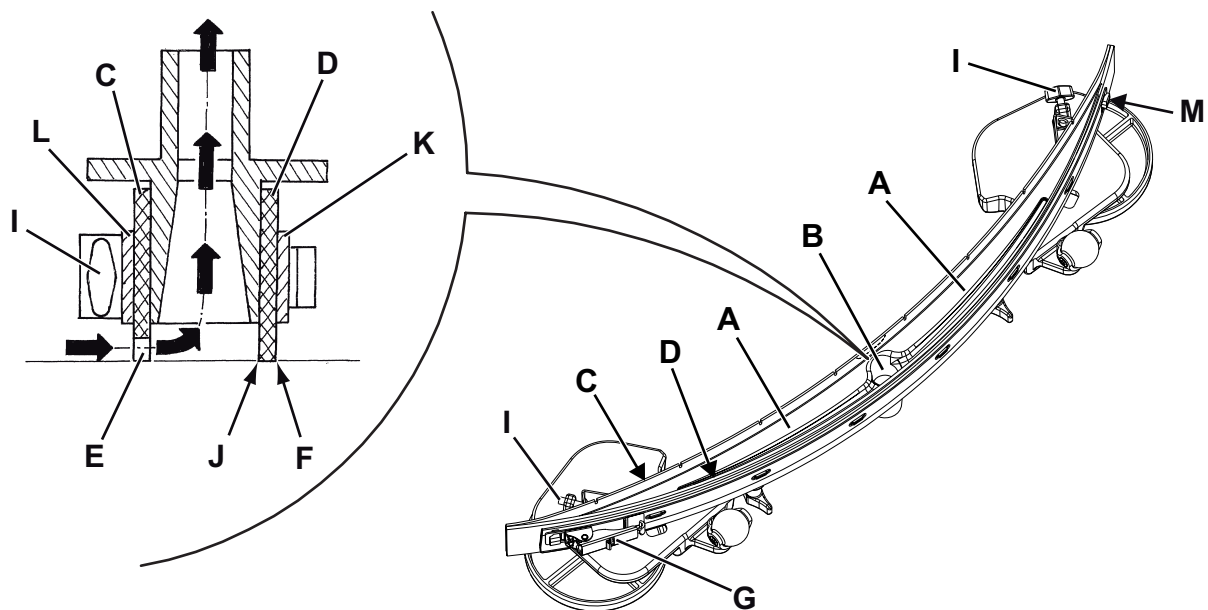


Figure 5

P100367

BRUSHES CLEANING**CAUTION!**

It is advisable to wear protective gloves when cleaning the brushes because there may be sharp debris.

1. Remove the brushes from the machine, as shown in Use/operation chapter.
2. Clean and wash the brushes with water and detergent.
3. Check the brush bristles for integrity and wear; if necessary, replace the brushes.

RECOVERY TANK CLEANING

1. Drive the machine to the appointed disposal area.
2. Turn the ignition key (58) to "0".
3. Open the cover (20).
4. Clean and wash with clean water the cover (20) and the tank (19).
Drain the water in the tank through the hose (24).
5. Clean the vacuum grid (27), release the fasteners (A, Fig. 6), open the grid (B) and recover the float (C) then clean carefully and reinstall.
6. Clean the container with debris collection grid (26), remove the container (G), remove the cover (H), then clean carefully and reinstall the vacuum hose.
7. Check the tank cover gasket (D) for integrity.

**NOTE**

The gasket (D) creates vacuum in the tank that is necessary for the vacuuming of recovery water.

If necessary replace the gasket (D) by removing it from its housing (E). When assembling the new gasket, install the joint (F) in the lower area, as shown in the figure.

8. Check that the seating surface (I) of the gasket (D) is integral, clean and adequate for the gasket itself.
9. Close the cover (20).

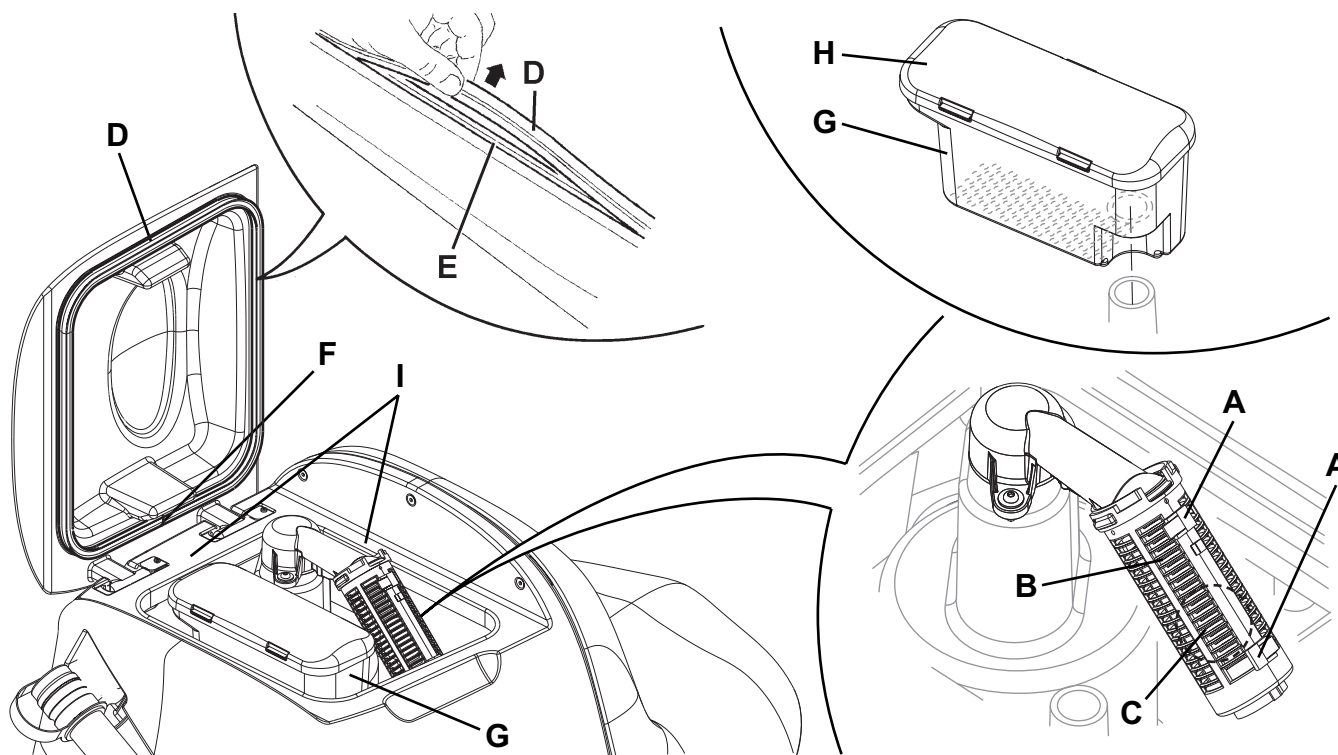


Figure 6

P100368

VACUUM SYSTEM MOTOR FILTER CLEANING

1. Drive the machine on a level floor.
2. Turn the ignition key (58) to "0".
3. Open the cover (20) and check that the recovery tank (19) is empty, otherwise empty it with the drain hose (24).
4. Close the cover (20).
5. Carefully lift the tank assembly (44).
6. Check that the filter (37) is clean. If necessary clean it with water and compressed air, then install it.

SOLUTION FILTER CLEANING

1. Drive the machine on a level floor.
2. Turn the ignition key (58) to "0".
3. Close the solution valve (A, Fig. 7) under the machine, behind the right rear wheel. The valve (A) is closed when it is in the position (B) and it is open when it is in the position (C).
4. Remove the transparent cup (D), recover the gasket (E), then remove the filter strainer (F) under the machine, in front of the right rear wheel. Clean them with water and install them on the support (G).



NOTE

The filter strainer (F) must be correctly positioned on the housing of the support (G).

5. Open the valve (A).

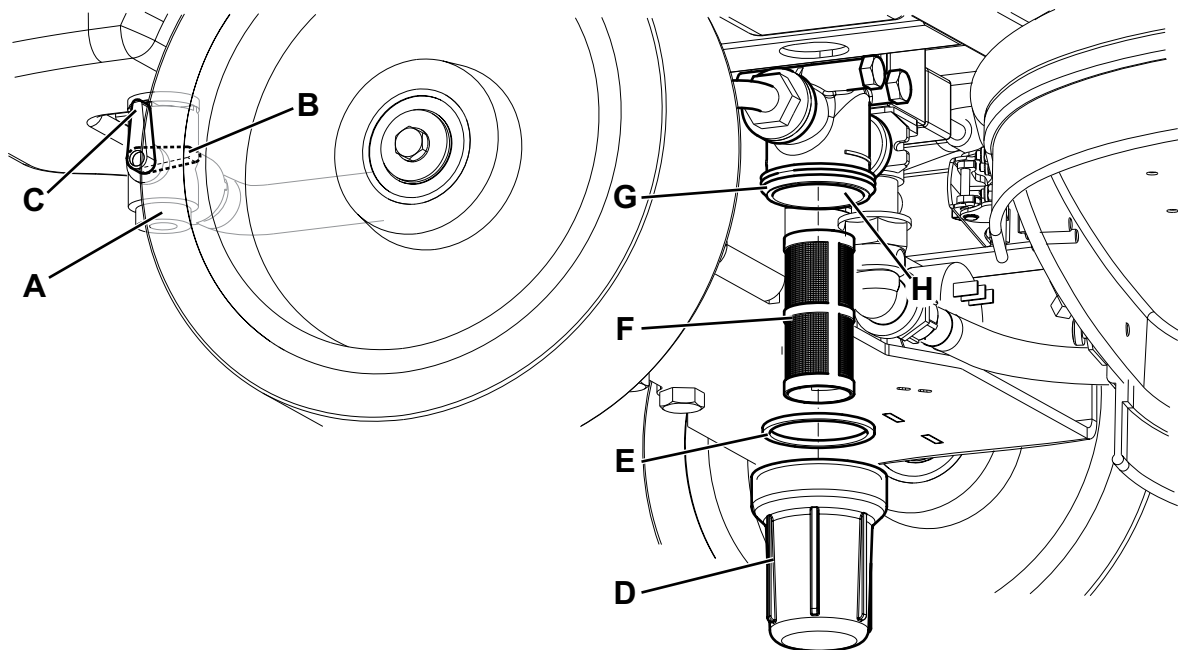


Figure 7

P100370

BATTERY COMPARTMENT CLEANING

Clean any liquid from the bottom of the battery compartment (A, Fig. 8).

1. Drive the machine to the appointed disposal area.
2. Open the valve (B) under the solution tank and drain the liquid from the bottom of the battery compartment.

DETERGENT TANK CLEANING

Clean the detergent tank (42) according to the following procedure:

1. Drive the machine to the appointed disposal area.
2. Open the cover (20) and check that the recovery tank (19) is empty, otherwise empty it with the drain hose (24). Close the cover (20).
3. Carefully lift the tank assembly (44).
4. Unscrew the plug and disconnect the hose (A, Fig. 9) from the tank (B).
5. Remove the tank.
6. Wash the tank in the appointed disposal area.
7. Install the tank (42) in the position shown in the figure and connect it to the hose (A).
8. When the detergent tank has been drained, the EcoFlex system must be drained too (see the procedure in the following paragraph).

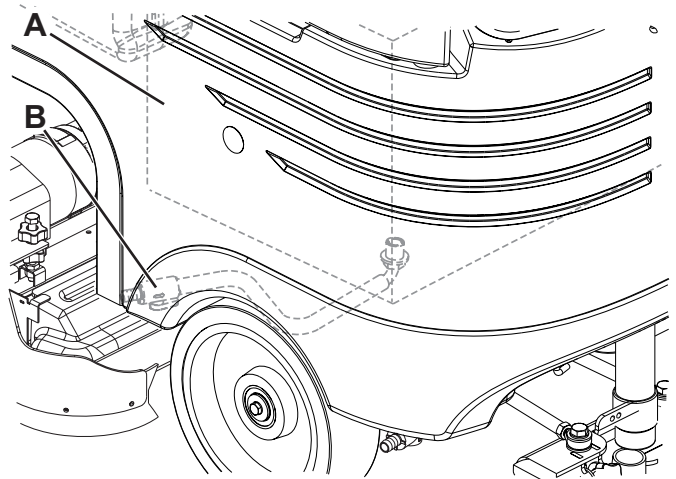


Figure 8

P100371

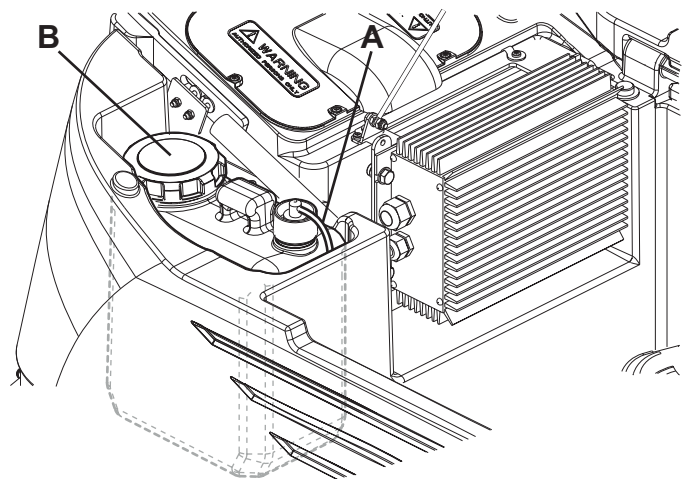


Figure 9

P100371

ECOFLEX SYSTEM DRAINING

Clean the detergent tank according to the procedure shown in the previous paragraph. To remove the detergent remained in the hoses and in the pump, perform the following procedure.

1. Turn on the machine by turning the ignition key (58) to "I" position.
2. Press the push-button (53). Check that the push-button LED (54) turns on.
3. Press the push-buttons (53 and 59) at the same time, until the push-button LED (54) starts flashing (after about 5 seconds).
4. Release the push-buttons and wait for the LED (54) to stop flashing and for the vacuum system to turn on.
5. Collect the detergent remained on the floor.
6. Turn the ignition key (58) to "0".
7. Lift the tank (19), then check that the detergent tank hose (42) is empty, otherwise perform steps 2 to 6 again.



NOTE

The draining cycle lasts about 30 seconds, then the vacuum function automatically turns on, which allows to remove the detergent remained.

The draining cycle can also be performed with the detergent tank (42) full of water, thus cleaning the system thoroughly. It is advisable to perform this type of draining to clean the EcoFlex system from dirt and deposits if the machine has not been used/cleaned for a long time.

The draining cycle can be performed also to quickly fill the detergent supply hose when the tank (42) is full but the system is still empty.

If necessary, the draining cycle can be repeatedly performed.

FUSE CHECK/REPLACEMENT



NOTE

All machine electrical circuits are protected by auto-resettable electronic devices. The safety fuses activates only in case of serious damage.

It is recommended to have the fuses replaced by qualified personnel only.

Refer to the Service Manual available at any Advance Retailer.

SAFETY FUNCTIONS

The machine is equipped with the following safety functions.

EMERGENCY PUSH-BUTTON

It is located in an easily accessible position (8). Press it firmly in case of immediate necessity to stop all machine functions.

To reset the machine operation, lift the tank assembly (44) and reconnect the battery connector (9).

ANTI-SKID SAFETY SYSTEM

This system reduces the speed when turning and when the machine tilts laterally to avoid sudden skids, this increasing the machine stability in any condition.



DRIVER'S SEAT MICROSWITCH

It is located inside the driver's seat and it does not allow the machine drive system to operate if the operator is not seated on the driver's seat.

ELECTROMAGNETIC BRAKE

It is built-in the front wheel and keeps the machine braked when the machine is off or stopped.

TROUBLESHOOTING

TROUBLE	POSSIBLE CAUSE	REMEDY
The motors do not work; no warning LED turns on.	The battery connector is disconnected.	Connect.
	The batteries are discharged.	Charge the batteries.
The machine does not move and the display (71) shows the error code: 	The machine has been turned on by using the ignition key and by keeping the pedal pressed.	Release the drive pedal. If the problem persists, contact an authorised Service Center.
At the machine start-up, the LED (68) of the One-Touch push-button (67) flashes and the brushes do not work.	The machine has been turned off without lifting the brushes deck.	Wait for the deck to lift before turning on again the brushes by pressing the push-button.
The brushes do not work; the red warning LED flashes.	The batteries are discharged.	Charge the batteries.
The 3 warning LEDs (62) flash simultaneously.	The brush motors are overloaded.	Use less aggressive brushes and/or avoid working with extra pressure turned on.
	There are foreign materials (tangled threads, etc.) preventing the brushes from rotating.	Clean the brush hubs.
The display (71) shows an error code as:  where "00" is replaced by a code different from "t4".	The machine electronic control system is in alarm condition.	Turn off the machine and then turn it on again. If the problem persists, contact an authorised Service Center.

TROUBLE	POSSIBLE CAUSE	REMEDY
The dirty water vacuuming is insufficient.	The recovery tank is full.	Empty the tank.
	The vacuum grid is clogged or the float is closing.	Clean the vacuum grid.
	The container with debris collection grid is clogged.	Clean.
	The hose is disconnected from the squeegee	Connect.
	The squeegee is dirty, or the squeegee blades are worn or damaged.	Clean the squeegee or overturn/replace the blades.
	The tank cover is not properly closed, or the gasket is damaged.	Correctly close the cover or clean/replace the gasket.
The solution flow is insufficient.	The solution tank is empty.	Fill.
	The solution filter is dirty	Clean the filter.
	The EcoFlex system tank is dirty/encrusted.	Drain.
The squeegee leaves marks on the floor.	There are debris under the squeegee blades.	Remove the debris.
	The squeegee blades are worn, chipped or torn.	Overturn or replace the blades.
	The squeegee is not balanced with the handwheel.	Adjust the squeegee.

**NOTE**

*The machine cannot operate without the battery charger.
In case of battery charger malfunction, contact an authorized Service Center.*

For further information, refer to Advance Service Centers.

SCRAPPING

Have the machine scrapped by a qualified scrapper.

Before scrapping the machine, remove and separate the following materials, which must be disposed of properly according to the Law in force:

- Batteries
- Brushes
- Plastic hoses and components
- Electrical and electronic components (*)

(*) Refer to the nearest Advance Center especially when scrapping electrical and electronic components.

Machine material composition and recyclability

Type	Recyclable percentage	Machine weight percentage
Aluminium	100 %	9 %
Electric motors - various	29 %	18 %
Ferrous materials	100 %	42 %
Wiring harness	80 %	3 %
Liquids	100 %	0 %
Plastic - non-recyclable material	0 %	3 %
Plastic - recyclable material	100 %	1 %
Polyethylene	92 %	23 %
Rubber	20 %	1 %

ÍNDICE

INTRODUCCIÓN.....	2
FINALIDAD Y OBJETO DE ESTE MANUAL	2
DESTINATARIOS	2
CONSERVACIÓN DEL MANUAL	2
DATOS DE IDENTIFICACIÓN	2
OTROS MANUALES DE REFERENCIA	2
PIEZAS DE REPUESTO Y MANTENIMIENTO	2
MODIFICACIONES Y MEJORAS	2
CARACTERÍSTICAS DE FUNCIONAMIENTO	2
CONVENCIONES	2
DESEMBALAJE/ENTREGA.....	3
SEGURIDAD	3
SÍMBOLOS VISIBLES EN LA MÁQUINA	3
SÍMBOLOS QUE APARECEN EN EL MANUAL	4
INSTRUCCIONES GENERALES	4
DESCRIPCIÓN DE LA MÁQUINA.....	6
ESTRUCTURA DE LA MÁQUINA	6
VOLANTE CON PANEL DE CONTROL Y MANDOS	8
ACCESORIOS/OPCIONES	9
DATOS TÉCNICOS	9
ESQUEMA ELÉCTRICO	10
USO/FUNCIONAMIENTO.....	12
CONTROL/PREPARACIÓN DE LAS BATERÍAS EN LA MÁQUINA NUEVA	12
INSTALACIÓN DE LAS BATERÍAS Y AJUSTE DEL TIPO DE BATERÍAS (WET O GEL/AGM).....	13
ANTES DE LA PUESTA EN MARCHA	14
PUESTA EN MARCHA Y PARADA DE LA MÁQUINA	16
MÁQUINA EN FUNCIÓN (LAVADO/SECAMIENTO).....	17
VACIADO DE LOS DEPÓSITOS.....	19
DESPUÉS DEL USO DE LA MÁQUINA	20
DESPLAZAMIENTO DE LA MÁQUINA MEDIANTE EMPUJE/REMOLQUE.....	20
MANTENIMIENTO	21
ESQUEMA DE MANTENIMIENTO PROGRAMADO.....	21
CONTROL DE LAS HORAS DE TRABAJO DE LA MÁQUINA	21
CARGA DE LAS BATERÍAS	22
LIMPIEZA DE LA BOQUILLA.....	23
CONTROL Y SUSTITUCIÓN DE LOS CAUCHOS DE LA BOQUILLA.....	23
LIMPIEZA DE LOS CEPILLOS.....	24
LIMPIEZA DEL DEPÓSITO DEL AGUA DE RECUPERACIÓN.....	24
LIMPIEZA DEL FILTRO DEL MOTOR DEL SISTEMA DE ASPIRACIÓN.....	25
LIMPIEZA DEL FILTRO DE LA SOLUCIÓN DETERGENTE.....	25
LIMPIEZA DEL COMPARTIMIENTO DE LAS BATERÍAS	26
LIMPIEZA DEL DEPÓSITO DEL DETERGENTE	26
VACIADO DEL SISTEMA ECOFLEX.....	26
CONTROL/SUSTITUCIÓN DE LOS FUSIBLES	27
FUNCIONES DE SEGURIDAD.....	27
PULSADOR DE EMERGENCIA.....	27
SISTEMA DE SEGURIDAD ANTIDERRAPE	27
MICROINTERRUPTOR DEL ASIENTO DE CONDUCCIÓN.....	27
FRENO ELECTROMAGNÉTICO	27
BÚSQUEDA AVERÍAS	27
ELIMINACIÓN.....	28

INTRODUCCIÓN



NOTA

Los números entre paréntesis se refieren a los componentes ilustrados en el capítulo Descripción de la máquina.

FINALIDAD Y OBJETO DE ESTE MANUAL

Este manual contiene todas las informaciones necesarias para que el cliente utilice la máquina de forma adecuada, autónoma y segura. Incluye informaciones inherentes a los datos técnicos, la seguridad, el funcionamiento, el almacenamiento, el mantenimiento, las piezas de repuesto y la eliminación.

Antes de efectuar cualquier operación de mantenimiento, los operadores y los técnicos calificados tienen que leer cuidadosamente las instrucciones incluidas en este Manual. En caso de dudas sobre la correcta interpretación de las instrucciones, contactar con Advance para obtener explicaciones.

DESTINATARIOS

Este manual es para los operadores y los técnicos encargados del mantenimiento de la máquina.

Los operadores no deben efectuar procedimientos reservados a los técnicos calificados. Advance no es responsable para los daños causados a la máquina por falta de observación de esta prohibición.

CONSERVACIÓN DEL MANUAL

El Manual de instrucciones de uso y mantenimiento debe conservarse junto a la máquina, dentro de su contenedor, lejos de líquidos y otras sustancias que podrían dañarlo.

DATOS DE IDENTIFICACIÓN

El número de serie y el modelo de la máquina están marcados en la placa (21) aplicada a la columna de la dirección.

En la misma placa se indican también el año de fabricación (Date code: 18 significa Enero 2018) y el código del producto.

Esta información es necesaria cuando se pidan piezas de repuesto para la máquina. Usar el espacio siguiente para escribir los datos de identificación de la máquina.

Modelo
Número del modelo
Número de serie

OTROS MANUALES DE REFERENCIA

– Manual del cargador de baterías electrónico (debe considerarse parte integrante de este manual)

Los siguientes manuales son también disponibles:

- Manual de asistencia (que se puede consultar cerca de los Centros de asistencia Advance)
- Catálogo piezas de repuestos (en dotación a la máquina)

PIEZAS DE REPUESTO Y MANTENIMIENTO

Para cualquier necesidad inherente al uso, mantenimiento y reparación, consultar al personal calificado o los Centros de asistencia Advance. Usar siempre piezas de repuesto y accesorios originales.

Para la asistencia o para ordenar piezas de repuesto o accesorios, acudir a Advance, especificando siempre el modelo y el número de serie.

MODIFICACIONES Y MEJORAS

Advance está constantemente mejorando sus productos y se reserva el derecho de realizar modificaciones y mejoras a su discreción, sin verse obligada a aplicar dichas ventajas a las máquinas vendidas previamente.

Sólo Advance puede aprobar y efectuar cualquier modificación y/o instalación de accesorios.

CARACTERÍSTICAS DE FUNCIONAMIENTO

La fregadora/secadora es adecuada para limpiar (lavar y secar) suelos lisos y sólidos, en ambiente comercial o industrial, en condiciones de seguridad, por parte de un operador calificado.

La fregadora/secadora no es adecuada para limpiar alfombras o moqueta.

CONVENCIONES

En este manual, las indicaciones de adelante, atrás, delantero, trasero, derecho e izquierdo, se refieren al operador en posición de conducción en su asiento (17).

DESEMBALAJE/ENTREGA

Para desembalar la máquina seguir cuidadosamente las instrucciones colocadas sobre el embalaje.

Para desplazar manualmente la máquina, consultar el párrafo Desplazamiento de la máquina mediante empuje/remolque.

Al momento de la entrega, controlar atentamente el embalaje y la máquina por si hayan sufrido daños durante el transporte. Si los daños son evidentes, conservar el embalaje, de forma que el transportista que lo ha entregado lo pueda inspeccionar. Contactarlo de inmediato para compilar una indemnización daños y perjuicios.

Controlar que el equipamiento de la máquina sea el siguiente:

- Documentación técnica:
 - Manual de instrucciones de uso de la fregadora/secadora
 - Manual del cargador de baterías electrónico
 - Catálogo piezas de repuestos de la fregadora/secadora
- N° 2 fusibles laminares
- N° 2 chapitas de ajuste para alojamiento baterías de 6V



¡ATENCIÓN!

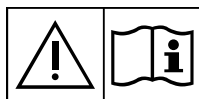
Los Productos a la venta en este Manual contienen, o pueden contener, productos químicos reconocidos por algunos gobiernos (como el Estado de California, según lo indica en su Proposición 65, Ley de Advertencia Regulatoria) como causantes de cáncer, defectos de nacimiento u otros daños reproductivos. En algunas jurisdicciones (incluido el Estado de California), los compradores de estos Productos que los coloquen en servicio en un emplazamiento laboral o en un espacio de acceso público tienen la obligación regulatoria de realizar determinados avisos, advertencias o divulgaciones respecto de los productos químicos contenidos o posiblemente contenidos en los Productos utilizados en tal lugar. Es la responsabilidad del comprador conocer y cumplir con todas las leyes y reglamentaciones relacionadas con el uso de estos Productos en tales entornos. El Fabricante niega toda responsabilidad de informar a los compradores sobre requisitos específicos que pueden regir el uso de los Productos en tales entornos.

SEGURIDAD

La siguiente simbología sirve para señalar situaciones de peligro potencial. Leer siempre cuidadosamente estas informaciones y tomar las precauciones necesarias para proteger personas y cosas.

Para evitar desgracias, la cooperación del operador es fundamental. Ningún programa de prevención de accidentes resulta eficaz sin la total cooperación de la persona directamente responsable del funcionamiento de la máquina. La mayoría de los accidentes que pueden ocurrir en una empresa, durante el trabajo o los traslados, son causados por no observar las reglas de seguridad fundamentales.

SÍMBOLOS VISIBLES EN LA MÁQUINA



¡ATENCIÓN!

Leer con cuidado todas las instrucciones antes de efectuar cualquier operación en la máquina.



¡ATENCIÓN!

No lavar la máquina con chorros de agua directa o presurizada.



¡ATENCIÓN!

No usar la máquina sobre suelos con inclinaciones superiores a las especificaciones.

SÍMBOLOS QUE APARECEN EN EL MANUAL



¡PELIGRO!
Indica un peligro con riesgo, incluso mortal, para el operador.



¡ATENCIÓN!
Indica el riesgo potencial de infortunios para las personas o de daños a las cosas.



¡ADVERTENCIA!
Indica una advertencia o una nota sobre una función importante o útil. Tener cuidado de las partes del texto marcadas con este símbolo.



NOTA
Indica una nota sobre una función importante o útil.



CONSULTAS
Indica la necesidad de consultar las Instrucciones de uso antes de efectuar cualquier operación.

INSTRUCCIONES GENERALES

Se describen aquí las advertencias y precauciones específicas por lo que se refiere a los potenciales riesgos de daños a la máquina o a las personas.



- ¡PELIGRO!**
- Antes de efectuar cualquier operación de limpieza, mantenimiento o sustitución de piezas desconectar el conector de la batería y quitar la llave de encendido.
 - Sólo los operadores cualificados pueden usar esta máquina.
 - Quitarse las joyas cuando se trabaja cerca de los componentes eléctricos.
 - No trabajar bajo la máquina levantada si ésta no está fijada con los soportes de seguridad adecuados.
 - No activar la máquina en un ambiente donde haya polvo, líquidos o vapores nocivos, peligrosos, inflamables y/o explosivos: Esta máquina no es adecuada para recoger polvos peligrosos.
 - Si se usan baterías de plomo (WET), tener chispas, llamas y materiales fumantes lejos de las baterías. Durante el uso normal pueden salir gases explosivos.
 - Si se usan baterías de plomo (WET), cargando las baterías se produce gas hidrógeno muy explosivo. Levantar el depósito del agua de recuperación durante las operaciones de carga de las baterías y efectuar la carga solo en áreas muy bien ventiladas y lejos de llamas libres.



- ¡ATENCIÓN!**
- Antes de efectuar cualquier operación de mantenimiento/repación, leer cuidadosamente todas las instrucciones relacionadas al mantenimiento/repación.
 - Antes de usar el cargador de baterías, asegurarse de que la frecuencia y la tensión indicadas en la placa del número de serie de la máquina coincidan con la tensión de la red.
 - No tirar o transportar la máquina por el cable del cargador de baterías; no utilizar el cable como manilla. No cerrar el cable del cargador de baterías en una puerta o tirarlo sobre bordes o ángulos afilados. No atropellar el cable del cargador de baterías con la máquina.
 - Tener el cable del cargador de baterías lejos de superficies calientes.
 - No usar la máquina si el cable del cargador de baterías y el enchufe están dañados. Si la máquina no funciona correctamente, está dañada, quedada al exterior o bañada, llevarla a un Centro de asistencia.
 - Para reducir el riesgo de incendio, electrochoque o lesiones, no dejar la máquina conectada a la red eléctrica cuando está sin custodia. Antes de efectuar las operaciones de mantenimiento, desconectar el cable del cargador de baterías de la red eléctrica.
 - No fumar cuando se cargan las baterías.
 - Para evitar usos no autorizados de la máquina, quitar la llave de encendido.
 - No dejar la máquina sin custodia y sin haberse asegurado que no pueda moverse de forma autónoma.
 - Proteger siempre la máquina del sol, de la lluvia y de otras intemperies, tanto durante el funcionamiento como durante los períodos de inactividad. Almacenar la máquina en un lugar cerrado y seco: Esta máquina no se debe usar o tener al exterior en condiciones de humedad.
 - Antes de usar la máquina, cerrar todos los portillos y/o las tapas como indicado en el Manual de instrucciones de uso.

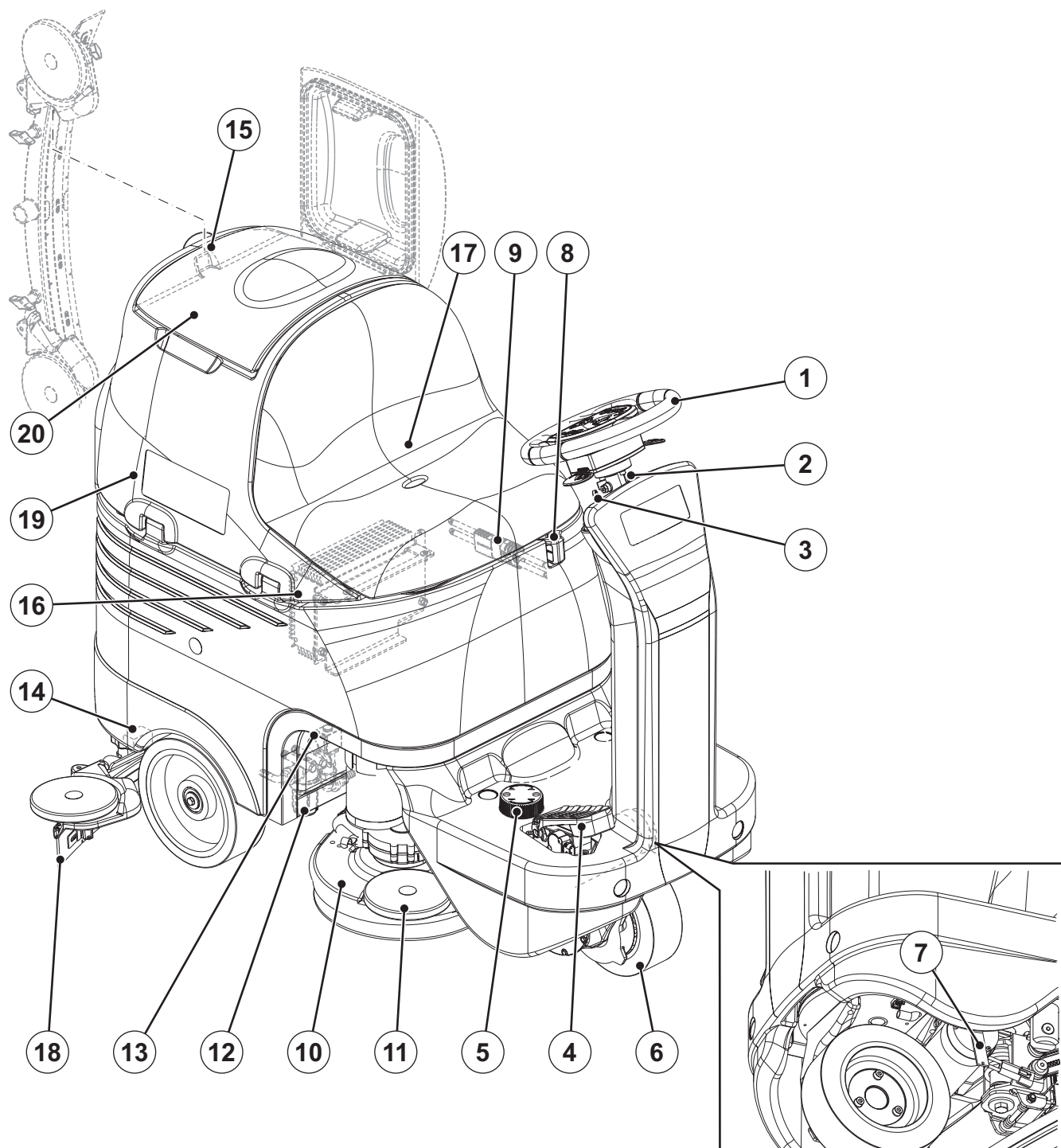
**¡ATENCIÓN!**

- *El aparato no está diseñado para que lo usen personas (incluidos los niños) con reducidas capacidades físicas, mentales o sensoriales o con experiencia y/o competencias insuficientes, a no ser que lo utilicen bajo la supervisión de una persona responsable de su seguridad o que ésta les enseñe a usarlo. Los niños deben ser supervisados para asegurarse de que no jueguen con el aparato.*
- *Tener mucho cuidado cuando se utiliza cerca de niños.*
- *No usar con finalidades diferentes de aquellas indicadas en este manual. Usar sólo accesorios recomendados por Advance.*
- *Tomar todas las precauciones necesarias para que el pelo, las joyas y las ropas no sean capturados por las partes móviles de la máquina.*
- *No usar la máquina sobre pendientes.*
- *No inclinar la máquina con un ángulo superior al valor indicado en la máquina misma, para no perjudicar la estabilidad.*
- *No usar la máquina en ambientes demasiado polvorientos.*
- *Usar la máquina sólo en áreas con suficiente iluminación.*
- *Si se va a usar la máquina en presencia de otras personas, además del operador, es necesario equipar la máquina con la luz rotativa y el avisador acústico de marcha atrás (opcional).*
- *Cuando se usa esta máquina, tener cuidado de salvaguardar la incolumidad de personas y cosas.*
- *No chocar contra estanterías o andamios de los que puedan caer objetos.*
- *No apoyar contenedores de líquidos sobre la máquina, usar el portaobjetos.*
- *La temperatura de la máquina en trabajo debe estar entre +32 °F y 104 °F (0 °C y +40 °C).*
- *La temperatura de almacenamiento de la máquina debe estar entre +32 °F y 104 °F (0 °C y +40 °C).*
- *La humedad debe estar entre el 30% y el 95%.*
- *Cuando se usan detergentes, seguir las instrucciones y advertencias indicadas en las etiquetas de los frascos.*
- *Cuando se usan detergentes, usar guantes y protecciones adecuadas.*
- *No usar la máquina como vehículo de transporte.*
- *No permitir que los cepillos funcionen mientras la máquina está parada en un punto para evitar posibles daños al suelo.*
- *En caso de incendio usar un extintor de polvo, no de agua.*
- *No adulterar por ninguna razón la máquina, respete escrupulosamente las instrucciones previstas para el mantenimiento ordinario.*
- *No dejar que material extraño entre en las aperturas. No usar la máquina si las aperturas están obstruidas. Las aperturas deben mantenerse libre de polvo, hilacha, pelos y cualquier otro cuerpo extraño que pueda reducir el flujo de aire.*
- *No quitar ni modificar las placas colocadas en la máquina.*
- *Para desplazar manualmente la máquina es necesario desactivar el freno electromagnético. Tras haber desplazado la máquina manualmente, volver a activar el freno electromagnético. No usar la máquina si el freno electromagnético está desactivado.*
- *Si se desplaza la máquina mediante empuje por causas de servicio (falta de baterías, baterías descargadas, etc.), no superar la velocidad de 2,5 mph (4 km/h).*
- *Esta máquina no tiene aprobación para el uso en carreteras o vías públicas.*
- *Tener cuidado durante el traslado de la máquina en condiciones de temperatura muy baja. El agua en el depósito del agua de recuperación o en los tubos, podría congelarse y dañar la máquina.*
- *Utilizar sólo los cepillos y los fieltros suministrados con la máquina o aquellos especificados en el Manual de instrucciones de uso. Usar otros cepillos o fieltros puede perjudicar la seguridad.*
- *Cuando la máquina no funciona correctamente, asegurarse de que esto no sea causado por falta de mantenimiento. En caso contrario pedir la intervención del personal autorizado o del Centro de asistencia autorizado.*
- *Si deben sustituirse piezas, solicitar piezas de repuesto ORIGINALES a un Concesionario y/o Revendedor autorizado.*
- *Para asegurar condiciones de funcionamiento correcto y seguro, el personal autorizado o el Centro de asistencia autorizado debe llevar a cabo el mantenimiento programado según las especificaciones indicadas en el capítulo relacionado de este manual.*
- *No lavar la máquina con chorros de agua directa o presurizada, o con sustancias corrosivas.*
- *Si en la máquina están instaladas baterías de plomo (WET), no inclinar la máquina más de 30° con respeto al plano horizontal para que el líquido corrosivo de las baterías no sobresalga. Cuando es necesario inclinar la máquina para efectuar operaciones de mantenimiento, quitar las baterías.*
- *Nunca se debe abandonar la máquina al final del ciclo vital, por la presencia de materiales tóxicos y dañinos (baterías, etc.) sujetos a normativas que exigen que se realice la eliminación en centros especiales (véase el capítulo Eliminación).*

DESCRIPCIÓN DE LA MÁQUINA

ESTRUCTURA DE LA MÁQUINA

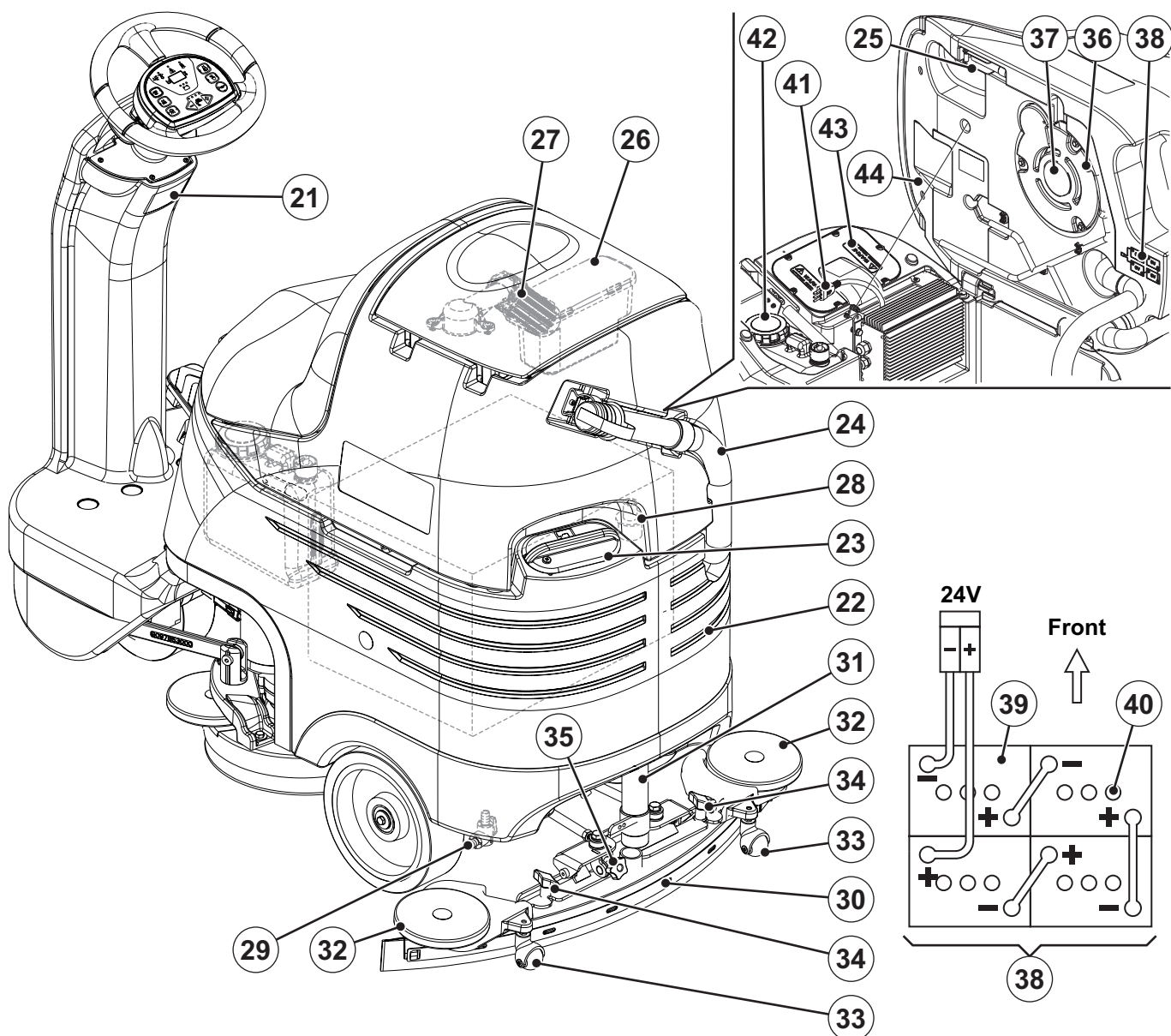
- | | |
|--|---|
| 1. Volante con panel de control y mandos (véase el párrafo siguiente) | 11. Paragolpes |
| 2. Columna de la dirección | 12. Filtro de la solución detergente |
| 3. Llave de encendido | 13. Electroválvula |
| 4. Pedal de marcha | 14. Grifo de apertura/cierre del agua de lavado |
| 5. Ajuste de la altura de apoyo del tacón | 15. Gancho para boquilla |
| 6. Rueda delantera directriz, de tracción y frenante | 16. Cargador de baterías |
| 7. Palanca de desbloqueo del freno electromagnético | 17. Asiento |
| 8. Pulsador de EMERGENCIA, para la interrupción inmediata de todas las funciones | 18. Conjunto cauchos de la boquilla |
| 9. Conector de las baterías | 19. Depósito del agua de recuperación plegable |
| 10. Cabezal portacepillos | 20. Tapa del depósito del agua de recuperación |



P100358

ESTRUCTURA DE LA MÁQUINA (Sigue)

- 21. Placa número de serie/datos técnicos/marcación de conformidad
- 22. Depósito del agua de lavado
- 23. Tapón de llenado del depósito de agua limpia con tubo extraíble para carga
- 24. Tubo de descarga del agua de recuperación
- 25. Pie de soporte del conjunto depósitos
- 26. Contenedor con rejilla de recogida de residuos
- 27. Rejilla de aspiración con sistema de cierre automático de flotador
- 28. Adaptador para tubo extraíble para cargar el agua y tubo de aspiración de la boquilla
- 29. Grifo del depósito del agua de lavado
- 30. Boquilla
- 31. Tubo de aspiración de la boquilla
- 32. Ruedas paragolpes de la boquilla
- 33. Ruedas de apoyo de la boquilla
- 34. Empuñaduras de fijación de la boquilla
- 35. Empuñadura de ajuste del equilibrado de la boquilla
- 36. Motor del sistema de aspiración
- 37. Filtro del motor del sistema de aspiración
- 38. Esquema de conexión de las baterías
- 39. Baterías
- 40. Tapones de las baterías
- 41. Cable del cargador de baterías
- 42. Depósito del detergente EcoFlex
- 43. Tapa del compartimento electrónico
- 44. Conjunto depósito y asiento de conducción levantado



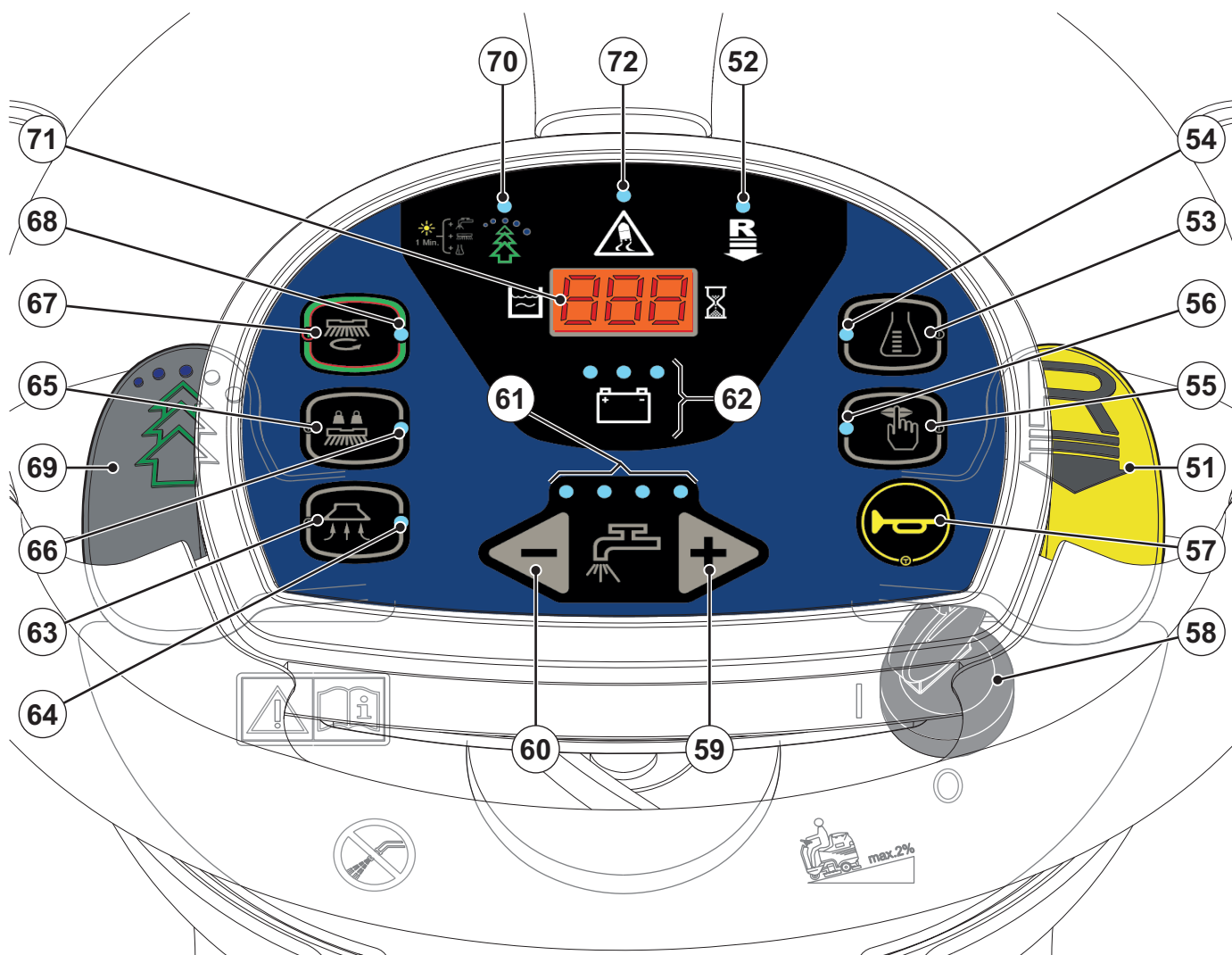
P100359

VOLANTE CON PANEL DE CONTROL Y MANDOS

- 51. Palanca de activación/desactivación marcha atrás
- 52. Indicador LED de activación marcha atrás
- 53. Pulsador de control del flujo de detergente
- 54. Indicador LED de ajuste del flujo de detergente
- 55. Pulsador de la modalidad silenciosa
- 56. LED de la modalidad silenciosa
- 57. Pulsador de la bocina
- 58. Llave de encendido
- 59. Pulsador para aumentar el flujo de solución detergente
- 60. Pulsador para disminuir el flujo de solución detergente
- 61. Indicador LED del flujo de solución detergente
- 62. Indicadores LED de carga de las baterías
 - LED verde - batería cargada
 - LED amarillo - batería casi descargada
 - LED rojo - batería descargada
- 63. Pulsador del sistema de aspiración
- 64. Indicador LED sistema de aspiración
- 65. Pulsador de la presión suplementaria
- 66. Indicador LED presión suplementaria
- 67. Pulsador One-Touch™ lavado/secado
- 68. Indicador LED One-Touch™
 - LED intermitente: subida/bajada del cabezal portacepillos y boquilla
 - LED fijo: máquina en función
- 69. Palanca de activación/desactivación EcoFlex
- 70. Indicador LED sistema EcoFlex™:
 - LED encendido - EcoFlex activado
 - LED intermitente - EcoFlex invalidado
 - Led apagado - EcoFlex deshabilitado
- 71. Visualizador cuentahoras y nivel solución detergente:
 - A la puesta en marcha de la máquina indica, por unos segundos, las horas de trabajo efectuadas.
 - Durante el uso de la máquina indica el nivel de detergente/agua de lavado en el depósito (en galones).
 - Cuando el nivel es superior a 18 US gal, el visualizador indica "FUL".
 - Cuando el nivel es inferior a 4 US gal, el visualizador indica "LO".
 - Cuando el depósito está vacío, la indicación "LO" empieza a parpadear.

i **NOTA**
 La indicación "LO" intermitente puede aparecer antes de que el depósito esté completamente vacío, por lo tanto se puede todavía efectuar las últimas fases de trabajo, controlando siempre el flujo de solución detergente a los cepillos.

- 72. Indicador LED de activación control antiderrape



ACCESORIOS/OPCIONES

Además de los componentes instalados en la versión estándar, la máquina puede equiparse con los siguientes accesorios/ opciones, según el uso específico:

- Baterías GEL/AGM
- Cepillos de diferentes materiales
- Filtros de diferentes materiales
- Cauchos de la boquilla de diferentes materiales
- Luz intermitente
- Conjunto "mop a trash"
- Motor del sistema de aspiración de 0.9 HP (670 W)

Para informaciones suplementarias sobre estos accesorios opcionales, acudir al Revendedor autorizado.

DATOS TÉCNICOS

Descripción	SC3000 26" Disc
Capacidad del depósito del agua de lavado	21 US gal (80 litros)
Capacidad del depósito del agua de recuperación	21 US gal (80 litros)
Longitud máxima de la máquina	53,5 in (1.360 mm)
Anchura de la máquina sin boquilla	26,4 in (670 mm)
Anchura de la boquilla	35 in (890 mm)
Altura de la máquina	46,8 in (1.190 mm)
Espacio de giro para vuelta en U	59 in (1,500 mm)
Anchura de limpieza	26 in (660 mm)
Diámetro ruedas traseras	9,8 in (250 mm)
Presión específica al suelo de las ruedas traseras	130 psi (0,9 N/mm ²)
Diámetro rueda delantera directriz, de tracción y frenante	8,8 in (225 mm)
Presión específica al suelo de la rueda delantera	72 psi (0,5 N/mm ²)
Diámetro cepillos	13 in (330 mm)
Presión de los cepillos con presión suplementaria desactivada	66,1 lb (30 kg)
Presión de los cepillos con presión suplementaria activada	105,8 lb (48 kg)
Flujo de la solución detergente	0,26 - 0,8 US gal/min (1 - 3 litros/min)
Presión sonora a la oreja del operador (ISO 11201, ISO 4871, EN 60335-2-72) (LpA)	65 dB(A) ± 3 dB(A)
Potencia acústica emitida por la máquina (ISO 3744, ISO 4871, EN 60335-2-72) (LwA)	82 dB(A)
Nivel de vibraciones al brazo del operador (ISO 5349-1, EN 60335-2-72)	< 98,4 in/s ² (< 2,5 m/s ²)
Nivel de vibraciones al cuerpo del operador (ISO 2631-1, EN 60335-2-72)	3,1 in/s ² (0,8 m/s ²)
Inclinación máxima de trabajo	2% (1,14°)
Potencia del motor del sistema de tracción	0,4 HP (300 W)
Velocidad máxima	3,7 mph (6 km/h)
Potencia del motor del sistema de aspiración	0,56 HP (420 W)
Vacío del sistema de aspiración	0,0098 MPa (1.000 mmH ₂ O)
Potencia motor cepillos	2 x 0.53 HP (2 x 400 W)
Velocidad cepillos	230 rpm
Potencia total absorbida	63 A (1,5 kW)
Grado de protección IP	X4
Dimensiones compartimiento baterías (longitud x anchura x altura)	14,9 x 21,2 x 11,8 in (380 x 540 x 300 mm)
Tipo de baterías	4 baterías de 6 V, 180 Ah C5 (WET)
	4 baterías de 6 V, 180 Ah C5 (GEL/AGM)
Peso sin baterías y con los depósitos vacíos	390 lb (177 kg)
Peso con baterías y depósitos vacíos	672 lb (305 kg)
Peso máximo en orden de marcha (GVW)	999 lb (453 kg)
Peso de envío	461 lb (209 kg)

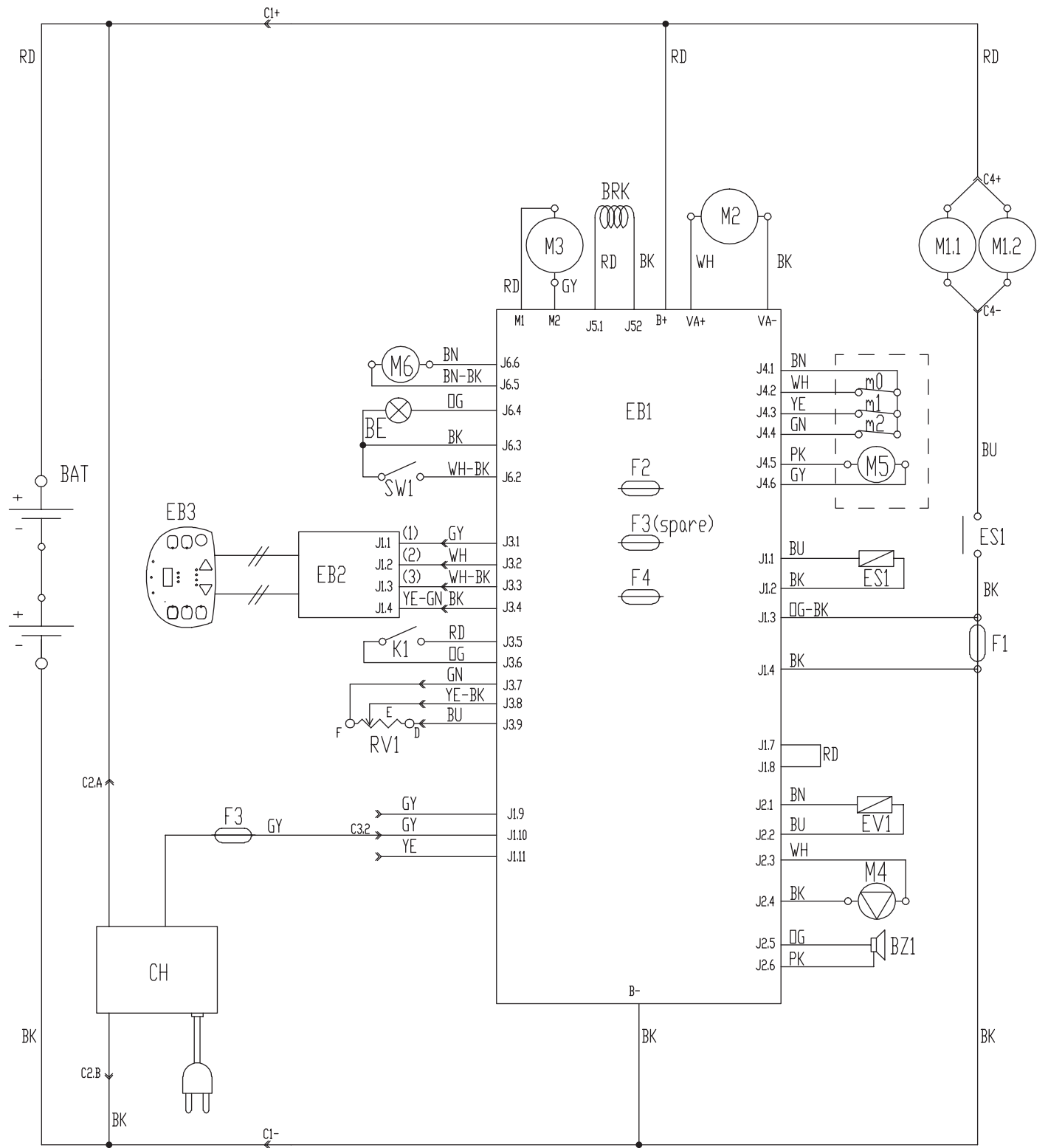
ESQUEMA ELÉCTRICO**Leyenda**

BAT	Baterías de 24 V
BE	Luz intermitente (opcional)
BRK	Freno electromagnético
BZ1	Avisador acústico de marcha atrás/bocina
C1	Conector de las baterías
C2	Conector principal del cargador de baterías
C3	Conector secundario del cargador de baterías
C4	Conector del cabezal portacepillos
CH	Cargador de baterías (opcional)
EB1	Tarjeta electrónica funciones
EB2	Tarjeta electrónica del visualizador
EB3	Tarjeta electrónica serigrafía tablero de instrumentos
ES1	Telerruptor cepillos
EV1	Electroválvula
F0	Fusible batería
F1	Fusible cabezal portacepillos
F2	Fusible tarjeta electrónica principal
F3	Fusible del circuito de señal
F4	Fusible actuadores
K1	Conmutador de arranque
M1.1,2	Motores cepillos
M2	Motor del sistema de aspiración
M3	Motor sistema de tracción
M4	Bomba del detergente (opcional)
M5	Motor actuador cabezal portacepillos
M6	Motor actuador boquilla
m0	Microinterruptor posición 0 actuador boquilla
m1	Microinterruptor posición 1 actuador boquilla
m2	Microinterruptor posición 2 actuador boquilla
PR1	Presóstato nivel agua de lavado
RV1	Potenciómetro pedal de marcha
SW1	Microinterruptor del asiento de conducción

Códigos color

BK	Negro
BU	Azul
BN	Marrón
GN	Verde
GY	Gris
OG	Anaranjado
PK	Rosado
RD	Rojo
VT	Morado
WH	Blanco
YE	Amarillo

ESQUEMA ELÉCTRICO (Sigue)



P100361A

USO/FUNCIONAMIENTO



¡ATENCIÓN!

En unas partes de la máquina hay unas placas adhesivas que indican:

- PELIGRO
- ATENCIÓN
- ADVERTENCIA
- CONSULTAS

Leyendo este Manual, el operador tiene que aprender el sentido de los símbolos indicados en las placas. Por ninguna razón estas placas deben cubrirse y si están dañadas tienen que sustituirse de inmediato.

CONTROL/PREPARACIÓN DE LAS BATERÍAS EN LA MÁQUINA NUEVA



¡ATENCIÓN!

Si no se instalan correctamente las baterías, los componentes eléctricos de la máquina podrían dañarse. Sólo el personal calificado puede efectuar la instalación de las baterías. Según el tipo de baterías instalado (WET o GEL/AGM), ajustar la tarjeta electrónica funciones.

Antes de instalar las baterías, controlar que no estén dañadas.

Desconectar el conector de las baterías o el enchufe del cargador de baterías.

Desplazar las baterías con mucho cuidado.

Instalar las tapas de protección de los terminales de las baterías, en dotación a la máquina.

La máquina necesita 4 baterías de 6 V, conectadas según el esquema (38).

La máquina puede ser entregada con las siguientes configuraciones:

Baterías (WET o GEL/AGM) instaladas en la máquina y listas para ser usadas

1. Abrir la tapa (20) y controlar que el depósito del agua de recuperación (19) esté vacío, si no vaciarlo mediante el tubo de descarga (24).
2. Cerrar la tapa (20).
3. Abrir con cuidado el conjunto depósito (44).
4. Controlar que las baterías estén conectadas a la máquina mediante el conector (9).
5. Bajar con cuidado el conjunto depósito (44).
6. Cuando se utiliza la máquina por primera vez con baterías nuevas, efectuar un ciclo de carga completa de las baterías (véase procedimiento en el capítulo Mantenimiento).

Sin baterías

1. Comprar baterías adecuadas (véase el párrafo Datos técnicos).
Para escoger e instalar las baterías, acudir a un Revendedor calificado.
2. Regular la máquina según el tipo de baterías instalado (WET o GEL/AGM) (véase el párrafo siguiente).
3. Instalar las baterías (véase el párrafo siguiente).
4. Cargar las baterías (véase el capítulo Mantenimiento).

INSTALACIÓN DE LAS BATERÍAS Y AJUSTE DEL TIPO DE BATERÍAS (WET O GEL/AGM)

Instalación de las baterías

1. Abrir la tapa (20) y controlar que el depósito del agua de recuperación (19) esté vacío, si no vaciarlo mediante el tubo de descarga (24).
2. Cerrar la tapa (20).
3. Abrir con cuidado el conjunto depósito (44).
4. Instalar las baterías y conectarlas según el esquema (38).

Ajuste del tipo de baterías

Ajustar la tarjeta electrónica de la máquina y el cargador de baterías, según el tipo de baterías instalado (WET o GEL/AGM), como se indica a continuación:

5. Llevar la llave de encendido (58) en la posición "I" y detectar el ajuste actual en los primeros segundos de funcionamiento de la máquina, el número de parpadeos de los LED de la batería (62), según la tabla siguiente:

AJUSTE	VISUALIZADOR (71)	INDICACIÓN LED BATERÍAS (62)	TIPO DE BATERÍAS
1		4 parpadeos del LED rojo	WET
2		4 parpadeos del LED verde	GEL-AGM

6. Si es necesario, cambiar el ajuste según el procedimiento siguiente.
7. Apagar la máquina colocando la llave de encendido (58) en la posición "0".
8. Pulsar contemporáneamente y mantener pulsados los pulsadores (67) y (63), luego colocar la llave de encendido (58) en la posición "I".
9. Soltar los pulsadores (67) y (63) después de 5 segundos tras la puesta en marcha de la máquina.
10. Dentro de 3 segundos pulsar de nuevo brevemente el pulsador (63) para pasar al ajuste siguiente (de 1 a 6 en sucesión cíclica).



NOTA

Durante los pasos 9 y 10, las regulaciones se visualizan también en el visualizador (71) mediante el código en la tabla.



NOTA

Ajustar el cargador de baterías de a bordo según las instrucciones de su propio manual.

Carga de las baterías

11. Cargar las baterías (véase el capítulo Mantenimiento).

ANTES DE LA PUESTA EN MARCHA**¡ATENCIÓN!**

Cada vez que se enciende la máquina, controlar que no hay cuerpos extraños entre el cabezal (10 y 28) y la máquina o entre la boquilla (30) y la máquina, que puedan obstaculizar el levantamiento del cabezal o de la boquilla. Este control es necesario porque, si la máquina fue apagada sin haber levantado el cabezal portacepillos y la boquilla, cuando se va a poner de nuevo en marcha la máquina, el cabezal y la boquilla se levantan automáticamente.

Instalación/remoción de los cepillos

En la máquina predispuesta con el cabezal adecuado, se pueden instalar tanto cepillos (A, Fig. 1) como portafiltros (B) con filtros (C), según el tipo de tratamiento de efectuar.

Para la instalación/remoción, efectuar el procedimiento siguiente.

1. introducir la llave de encendido (58) y colocarla en la posición "I".

**¡ATENCIÓN!**

Antes de pulsar el pulsador One-Touch (67), comprobar siempre que no hay cuerpos extraños entre el cabezal (10) y la máquina que puedan obstaculizar el levantamiento del cabezal mismo.

2. Levantar el cabezal apretando los pulsadores One-Touch (67).
3. Colocar la llave de encendido (58) en la posición "0" y quitarla.
4. Instalar los cepillos/portafiltros (A o B) colocándolos en el cubo arrastrador (D) bajo del cabezal, luego girarlos en sentido contrario al normal sentido de rotación hasta el tope de carrera (E).
5. Para quitar los cepillos efectuar los pasos de 1 a 3, luego desenganchar manualmente el cepillo del cubo girándolo de golpe en el sentido de rotación (F).

**¡ATENCIÓN!**

El uso de la máquina no perfectamente montada puede causar lesiones a personas y daños a los aparatos. Controlar siempre que todos los componentes estén instalados, antes de poner en marcha la máquina. Controlar con cuidado la máquina antes de usarla.

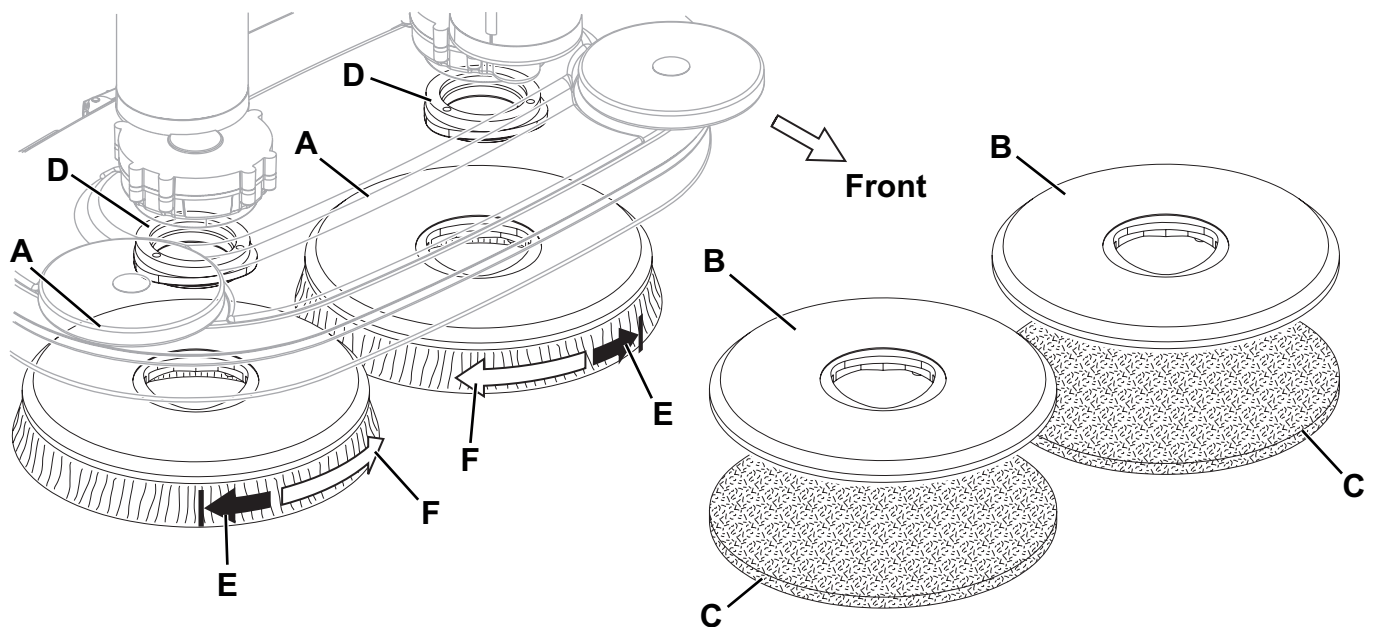


Figura 1

P100362

Tipos de cepillos disponibles y guía para su aplicación (sólo sugerencias)

Modelos	MIDLITE GRIT 180	MIDGRIT 240	PROLENE	PROLITE	UNION MIX
Limpieza general:					
Hormigón					
Suelo terraza					
Baldosas de cerámica/de cantera					
Mármol					
Baldosas de vinilo					
Baldosas de caucho					
Lustrado:					
Baldosas de caucho					
Mármol					
Baldosas de vinilo					

Instalación de la boquilla

1. Instalar la boquilla (30) y fijarla con las empuñaduras (34), luego conectar el tubo de aspiración (31) a la boquilla.
2. Mediante la empuñadura (35) ajustar la boquilla de forma que los cauchos (18) toquen el suelo por toda su longitud y que el caucho delantero esté ligeramente desprendido del suelo.

Llenado del depósito del agua de lavado

1. Abrir el tapón (23).
2. Con el tubo extraíble llenar el depósito (22) con agua limpia.
No llenar completamente el depósito (22), dejar unos centímetros del borde del tapón (23).
La temperatura del agua no debe superar los 40 °C.

Llenado del depósito del detergente EcoFlex**¡ADVERTENCIA!**

Utilizar exclusivamente detergentes líquidos poco espumosos y no inflamables, que sean adecuados para este tipo de máquina.

**¡ATENCIÓN!**

Cuando se usan detergentes, seguir las instrucciones y advertencias indicadas en las etiquetas de los frascos. Cuando se usan detergentes, usar guantes y protecciones adecuadas.

1. Abrir la tapa (20) y controlar que el depósito del agua de recuperación (19) esté vacío, si no vaciarlo mediante el tubo de descarga (23).
2. Cerrar la tapa (20).
3. Abrir con cuidado el conjunto depósito (44).
4. Abrir el tapón del depósito del detergente (42).
5. Rellenar el depósito con un detergente adecuado (detergente de alta concentración).
No llenar completamente el depósito del detergente, sino dejar unos centímetros del borde.

**NOTA**

Si el tubo del depósito del detergente está vacío (en caso de sistema nuevo, de sistema vaciado para limpieza, etc.), para acelerar el procedimiento de llenado del tubo, podría ser útil efectuar uno o más ciclos de expurgación del sistema EcoFlex (véase el procedimiento en el capítulo Mantenimiento).

Ajuste del asiento de conducción

1. Ajustar la altura de apoyo del tacón (5) en la posición más confortable para el operador.

PUESTA EN MARCHA Y PARADA DE LA MÁQUINA

Puesta en marcha de la máquina

1. Preparar la máquina como indicado en el párrafo antecedente.
2. Colocar la llave de encendido (58) en la posición "I" y pisar el pedal de marcha (4). Controlar si el LED verde de las baterías (62) se enciende.
Si se enciende el LED amarillo o rojo, colocar de nuevo la llave de encendido (58) en la posición "0", luego cargar las baterías (véase el procedimiento en el capítulo Mantenimiento).
3. Llegar al lugar de trabajo, conduciendo la máquina con las manos sobre el volante y pisando el pedal (4).
La velocidad de marcha se puede ajustar de cero al valor máximo según la presión aplicada al pedal de marcha (4).
4. La marcha adelante/atrás se selecciona mediante la palanca (51) que se encuentra a la derecha del volante.



NOTA

El asiento de conducción (17) está equipado de un sensor de seguridad para permitir que la máquina se mueva mediante el pedal (4) sólo cuando el operador está sentado en el asiento mismo.



NOTA

La máquina está equipada de un sistema de seguridad antiderrape [LED (72) intermitente] que reduce la velocidad de marcha durante las vueltas y en caso de inclinación de la máquina, independientemente de la presión sobre el pedal. La reducción de velocidad durante las vueltas, por lo tanto, no es un funcionamiento incorrecto, sino una característica que aumenta la estabilidad y la seguridad de la máquina en cada condición.

5. Bajar el cabezal portacepillo y la boquilla apretando el pulsador One-Touch (67).
6. Colocar los pulsadores de ajuste del flujo de la solución detergente (59 y 60) en la posición más adecuada según la cantidad de trabajo de efectuar.
7. Empezar el trabajo, conduciendo la máquina con las manos sobre el volante (1) y pisando adecuadamente el pedal (4).



NOTA

La máquina está equipada de un sistema de seguridad que permite activar los cepillos y el sistema de aspiración sólo cuando la máquina se mueve.

Parada de la máquina

8. Soltar el pedal (4).
No es necesario bloquear la máquina durante la parada o el estacionamiento, porque el freno electromagnético frena automáticamente la máquina cuando no se pisa el pedal de marcha.
9. Levantar el cabezal portacepillos y la boquilla apretando el pulsador One-Touch (67).



¡ADVERTENCIA!

En caso de necesidad inmediata y para parar la máquina y todas sus funciones en caso de emergencia, apretar firmemente el pulsador de emergencia (8).

Para reactivar las funciones de la máquina levantar el conjunto depósito del agua de recuperación (44) y reconectar el conector de las baterías (9).

MÁQUINA EN FUNCIÓN (LAVADO/SECAMIENTO)

1. Poner en marcha la máquina como indicado en el párrafo precedente.
2. Si necesario, cambiar la cantidad de solución detergente que llega a los cepillos con los pulsadores (59 y 60).
3. Si necesario, para reducir el ruido, activar la modalidad silenciosa apretando el pulsador (55).



NOTA

Se recomienda usar la modalidad silenciosa sólo sobre suelos lisos y sin fugas.



NOTA

Para un correcto lavado/secamiento de los suelos en los bordes de las paredes, Advance sugiere acercarse con el lado derecho de la máquina como indicado en la figura 2.

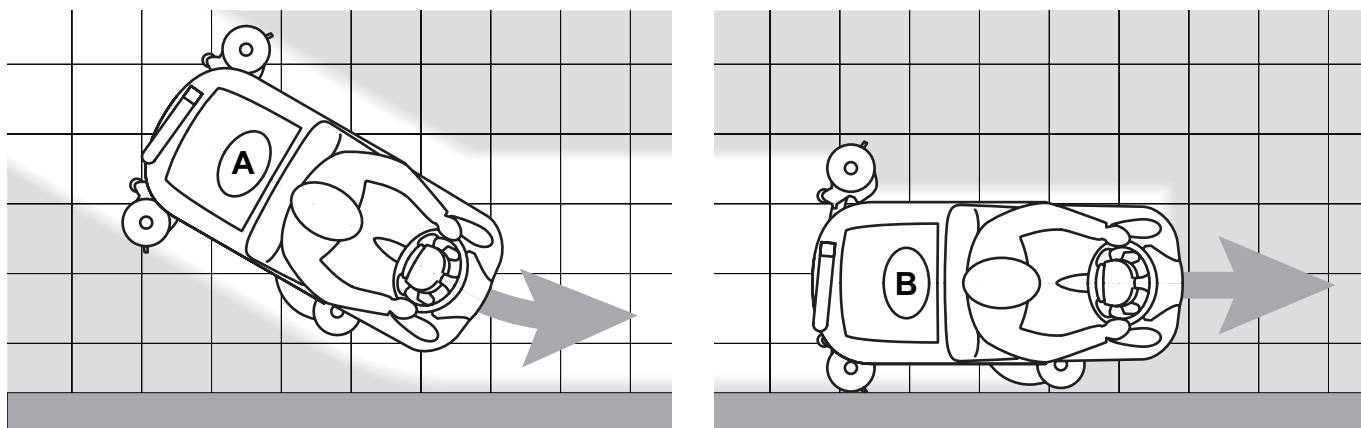


Figura 2

P100364

Ajuste de la boquilla

4. Si necesario, parar la máquina y girar la empuñadura de ajuste del equilibrado de la boquilla (35) de forma que el caucho trasero toque el suelo por toda su longitud.

Ajuste de la concentración del detergente en la solución detergente

El sistema para mezclar el detergente al agua se activa pulsando el pulsador de ajuste del flujo de detergente (A, Fig. 3): con el LED (B) encendido el detergente se añade al agua de lavado.

El visualizador (C) indica el nivel de concentración del detergente en la solución detergente, como en la tabla indicada en la figura 3.



NOTA

La concentración de detergente en la solución suministrada por el sistema corresponde siempre al nivel 1. Cuando se requiere provisionalmente una mayor concentración pulsar el pulsador EcoFlex o deshabilitar el sistema EcoFlex (véase el párrafo específico).

Función EcoFlex

Levantar la palanca EcoFlex (D, Fig. 3) cuando se requiere provisionalmente una mayor potencia de lavado.

Levantando la palanca (D) [LED (F) intermitente] el flujo del solución detergente aumenta, la presión suplementaria se activa y la concentración de detergente en la solución aumenta hasta el nivel configurado (además si la función de mezcla del detergente está desactivada se vuelve a activar de forma automática).

Levantando de nuevo la palanca (D) se vuelve a los ajustes iniciales [LED (E) encendido].



NOTA

Si la palanca (D) no se levanta por segunda vez, se vuelve a los ajustes iniciales después de 60 segundos.

Para cambiar el valor actual del porcentaje de detergente, efectuar el procedimiento siguiente:

1. Desactivar el pulsador de ajuste del porcentaje de detergente (A) [el LED (B) debe estar apagado].
2. Pulsar y mantener pulsado el pulsador de ajuste del porcentaje de detergente (A) hasta que parpadee la luz de aviso (B).
3. Soltar el pulsador (A). Pulsarlo de nuevo por algunos segundos para pasar al nivel sucesivo indicado por el visualizador (C) como indicado en la figura 3; repetir la operación hasta obtener el ajuste deseado.
4. Esperar que el LED (B) acabe de parpadear: el nuevo nivel está ajustado.



NOTA

El ajuste del porcentaje de detergente queda memorizado también después del apagamiento de la máquina.

Deshabilitación del sistema EcoFlex

Para desactivar temporalmente el sistema, levantar la palanca EcoFlex (D, Fig. 3) y mantenerla levantada durante 2 segundos. Después de este procedimiento [LED (D) apagado] el nivel de concentración del detergente es aquello ajustado. Para volver a activar el sistema, levantar de nuevo la palanca EcoFlex (D).

Para deshabilitar permanentemente el sistema EcoFlex efectuar el procedimiento siguiente:

1. Apagar la máquina colocando la llave de encendido (58) en la posición "0".
2. Tener levantada la palanca (D), luego llevar la llave de encendido (58) en posición "1".
3. Soltar la palanca (D) después de 8 segundos tras la puesta en marcha de la máquina.

Después de este procedimiento, la palanca EcoFlex está deshabilitada [LED (E) apagado] y el nivel de concentración del detergente es aquello ajustado.

Para volver a activar el sistema, repetir los pasos de 1 a 3.



NOTA

La deshabilitación del sistema EcoFlex queda memorizada también después del apagamiento de la máquina.

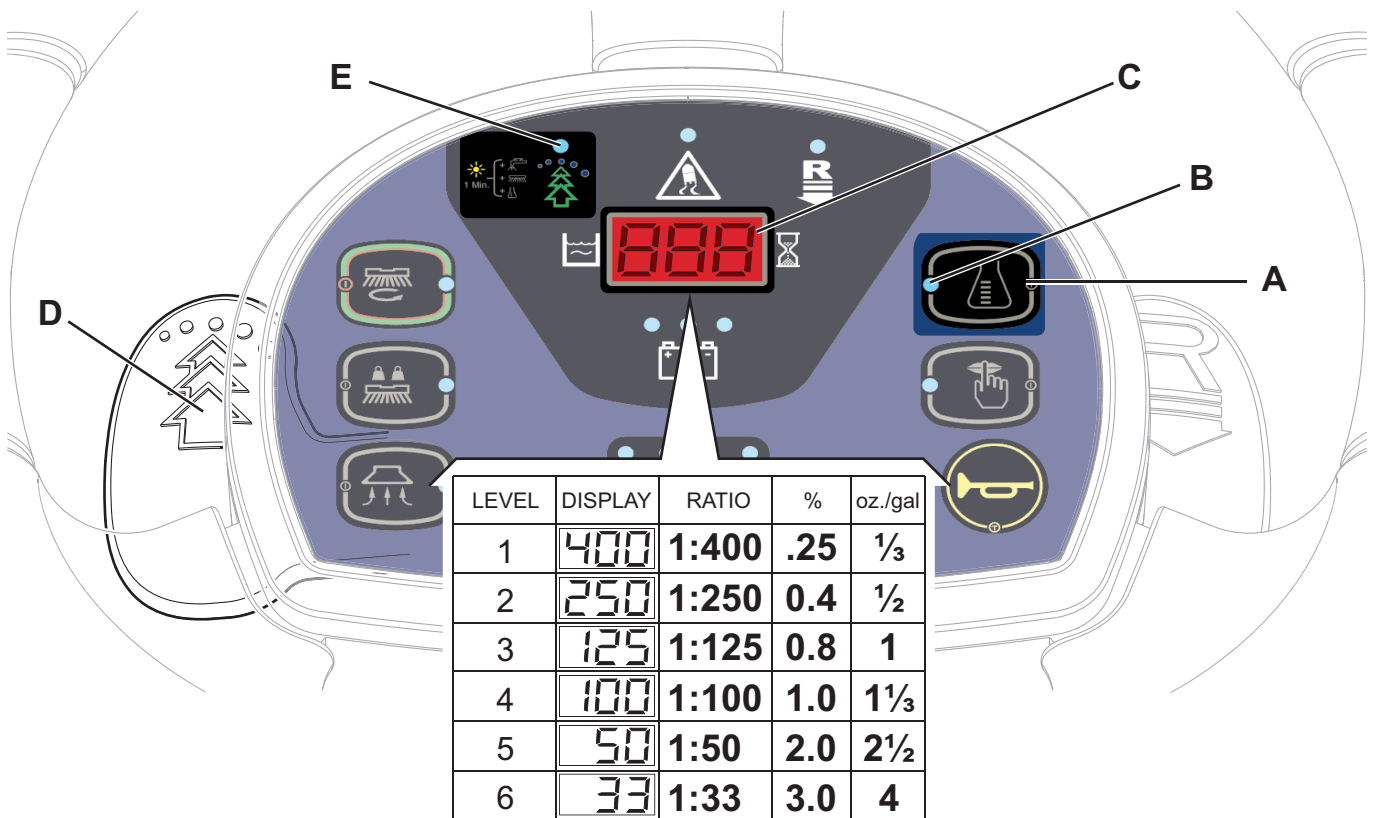


Figura 3

P100365A

Trabajo con la función de presión suplementaria de los cepillos activada

1. En caso de suelo con suciedad muy resistente, es posible trabajar con una presión mayor de los cepillos sobre el suelo, pulsando el pulsador (65).
2. Para volver a un trabajo con presión normal, pulsar de nuevo el pulsador (65).
El pulsador (65) está activado sólo cuando el cabezal (10) está bajado y el LED (68) del pulsador One-Touch (67) está encendido.



¡ADVERTENCIA!

En caso de sobrecarga de los motores de los cepillos, debido a cuerpos extraños que obstaculizan su movimiento, o a suelos/cepillos demasiados agresivos, un sistema de seguridad bloquea el cepillo después de un minuto de sobrecarga continua.

La condición de sobrecarga se visualiza mediante el parpadeo simultáneo de los tres LED que indican la carga de las baterías (62).

Si la sobrecarga ocurre durante el trabajo con la función de presión suplementaria activada, el sistema disminuye automáticamente la presión sobre el cepillo desactivando la función de presión suplementaria. Si la sobrecarga persiste, los cepillos/portafiltros se bloquean.

Para empezar de nuevo el trabajo tras la parada de los cepillos por causa de la sobrecarga, es necesario reajustar la máquina, colocando la llave de encendido (58) en la posición "0". Poner en marcha la máquina colocando la llave de encendido (58) en la posición "I".

Descarga de las baterías durante el trabajo

1. Hasta que el LED verde (62) se queda encendido, las baterías permiten el funcionamiento normal de la máquina. Cuando el LED verde se apaga y se encienden en secuencia el LED amarillo y rojo, es necesario cargar las baterías.
 - Cuando se enciende el LED amarillo la autonomía de la máquina es de unos minutos (variables en función de las características de la batería utilizada).
 - Cuando se enciende el LED rojo la autonomía está agotada: después de unos segundos se paran automáticamente los cepillos/portafiltros y se levanta el cabezal. Funcionan sólo el sistema de aspiración y el sistema de tracción, sólo para poder secar eventuales partes del suelo mojado y llevar la máquina en el lugar de recarga.



¡ADVERTENCIA!

Si se insiste en usar la máquina con las baterías descargadas, las baterías se pueden dañar y su vida útil se acorta.



NOTA

Si no se puede usar el sistema de tracción para desplazar la máquina, consultar el párrafo Desplazamiento de la máquina mediante empuje/remolque.

VACIADO DE LOS DEPÓSITOS

Un sistema de cierre automático de flotador (27) bloquea el sistema de aspiración cuando el depósito del agua de recuperación (19) está lleno.

Es posible darse cuenta del bloqueo del sistema de aspiración porque el ruido del motor del sistema de aspiración aumenta, además el suelo no seca.



¡ADVERTENCIA!

Si el sistema de aspiración se apaga de forma accidental (por ejemplo por la intervención prematura del flotador durante un desplazamiento imprevisto de la máquina), para reactivarlo apagarlo pulsando el pulsador (63), luego abrir la tapa (20) y asegurarse de que el flotador al interior de la rejilla (27) haya bajado hasta el nivel del agua. Por último cerrar la tapa (20) y reactivar el sistema de aspiración pulsando el pulsador (63).

Cuando el depósito del agua de recuperación (19) está lleno, vaciarlo según el procedimiento siguiente.

Vaciado del depósito del agua de recuperación

1. Parar la máquina soltando el pedal (4).
2. Levantar el cabezal portacepillos y la boquilla apretando el pulsador One-Touch (67).
3. Llevar la máquina en el área de eliminación designada.
4. Vaciar el depósito del agua de recuperación mediante el tubo (24).
5. Quitar el contenedor con rejilla de recogida de residuos (26), vaciarlo y limpiarlo con agua limpia. Montarlo en el tubo de aspiración dentro del depósito.
6. Luego, enjuagar el depósito con agua limpia.

Vaciado del depósito del agua de lavado

7. Llevar a cabo los pasos de 1 a 3.
8. Quitar el adaptador (28) de su alojamiento dentro del compartimento de las baterías.
9. Montar el adaptador (A, Fig. 4) sobre el tubo de aspiración de la boquilla (B), luego introducirlo en el grifo de descarga (C).
10. Colocar la llave de encendido (58) en la posición "I" y activar el sistema de aspiración con el pulsador (63).
11. Abrir el grifo de descarga (C) para permitir el vaciado del depósito (22).
El grifo (C) está abierto cuando está en la posición (D) con respecto al grifo y está cerrado cuando está en la posición (E).
12. Cuando la operación está acabada, apagar el sistema de aspiración y vaciar el depósito del agua de recuperación (19) mediante el tubo (24).
13. Cuando el trabajo está acabado, cerrar el grifo de descarga (C), desmontare el adaptador (A) y reinstalar el tubo de aspiración (B) en la boquilla (30).

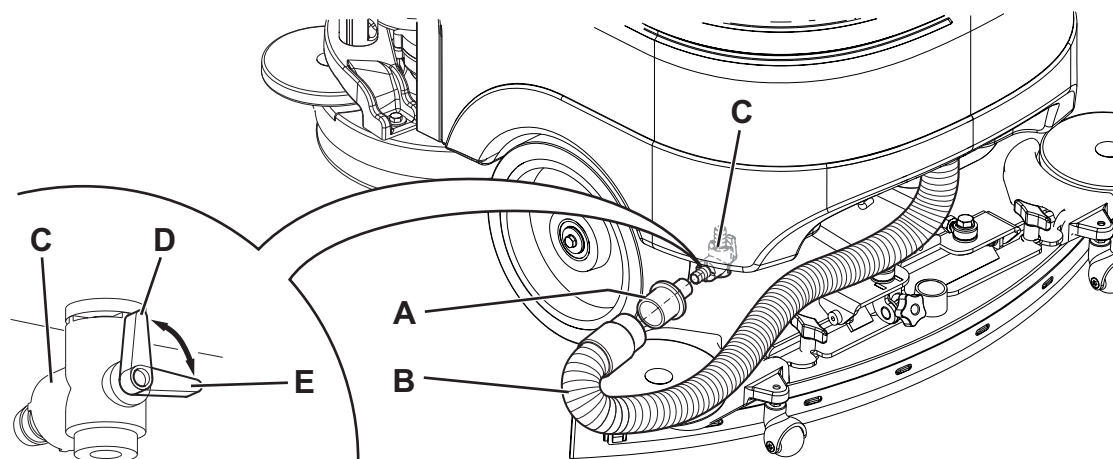


Figura 4

P100366

DESPUÉS DEL USO DE LA MÁQUINA

Cuando el trabajo está acabado, antes de alejarse de la máquina:

1. Desmontar los cepillos/portafiltros, mediante el procedimiento específico.
2. Vaciar los depósitos (19 y 22) como indicado en el párrafo antecedente.
3. Quitar la boquilla (30) y lavarla con agua caliente. Abrir la tapa del depósito del agua de recuperación (20) y colgar la boquilla al depósito usando el gancho relacionado (15).
4. Efectuar las operaciones de mantenimiento necesarias después del uso de la máquina (véase el capítulo Mantenimiento).
5. Tener la máquina en un lugar seco y limpio, con los cepillos/portafiltros y la boquilla levantados o desmontados.

DESPLAZAMIENTO DE LA MÁQUINA MEDIANTE EMPUJE/REMOLQUE

Cuando no es posible utilizar el sistema de tracción, (por ejemplo en caso de falta de baterías, baterías descargadas, etc.) para desplazar la máquina mediante empuje/remolque, es necesario desbloquear el freno electromagnético tirando de la palanca (7) y bloqueándola con un distanciador.

Después del desplazamiento, quitar el distanciador de la palanca (7) para volver a activar el freno electromagnético.

**¡ATENCIÓN!**

Si tras el desplazamiento de la máquina mediante empuje/remolque, la palanca (7) no se desbloquea, el freno electromagnético de la máquina se queda desactivado.

**¡ATENCIÓN!**

Non poner en marcha la máquina si la palanca está en posición de freno electromagnético desbloqueado. Para mayor seguridad, se recomienda desbloquear el freno electromagnético sólo durante el tiempo necesario para desplazar la máquina manualmente.

PERIODO DE LARGA INACTIVIDAD DE LA MÁQUINA

Si se piensa que la máquina no va a ser usada durante 30 días o más, seguir las indicaciones siguientes:

1. Llevar a cabo los procedimientos indicados en el párrafo Después del uso de la máquina.
2. Vaciar el depósito del detergente (38) del sistema EcoFlex y limpiar el sistema con el ciclo de expurgación (véase los procedimientos en el capítulo Mantenimiento).
3. Cerrar el grifo del agua de lavado (14).
4. Desconectar el conector de las baterías (9) pulsando el pulsador de emergencia (8).
5. Tener el conjunto depósito del agua de recuperación (19) levantado mediante el pie de soporte (25).

MANTENIMIENTO

Un mantenimiento cuidadoso y continuo garantiza la vida útil y la seguridad de funcionamiento de la máquina. El esquema siguiente resume el mantenimiento programado. Los períodos indicados pueden variar según las condiciones de trabajos, que el encargado del mantenimiento debe establecer.



¡ATENCIÓN!

Las operaciones deben efectuarse con la máquina apagada y con las baterías desconectadas. Además, leer cuidadosamente todas las instrucciones del capítulo Seguridad.

Todas las operaciones de mantenimiento programado o extraordinario deben ser efectuadas por el personal calificado o por un Centro de asistencia autorizado.

En este manual se detallan sólo los procedimientos de mantenimiento más sencillos y frecuentes.



NOTA

Para las otras operaciones de mantenimiento indicadas en el esquema de mantenimiento programado y las operaciones de mantenimiento extraordinario, véase el Manual de asistencia disponible en los Centros de asistencia.

ESQUEMA DE MANTENIMIENTO PROGRAMADO

Operación	Diaria, después del uso de la máquina	Semanaria	Semestral	Anual
Carga de las baterías				
Limpieza de la boquilla				
Limpieza del cepillo/filtros				
Limpieza de los depósitos, de la rejilla de recogida residuos, de la rejilla de aspiración con flotador y control de la guarnición de la tapa				
Limpieza y expurgación del sistema EcoFlex				
Control y sustitución de los cauchos de la boquilla				
Limpieza del filtro de la solución detergente				
Limpieza del filtro del motor del sistema de aspiración				
Control del nivel del líquido de las baterías (WET)				
Remoción del polvo externo alrededor de cada motor				
Control del freno electromagnético			(1)	
Control o sustitución de las escobillas de carbón de los motores de los cepillos				(1)
Control o sustitución de las escobillas de carbón del motor del sistema de aspiración				(1)
Control o sustitución de las escobillas de carbón del motor del sistema de tracción				(1)

(1) Mantenimiento de competencia de un Centro de asistencia autorizado Advance.

CONTROL DE LAS HORAS DE TRABAJO DE LA MÁQUINA

1. introducir la llave de encendido (58) y colocarla en la posición "1".
2. Durante los primeros 2 segundos de funcionamiento de la máquina, el visualizador (71) indica el número total de las horas de trabajo (lavado/secamiento) efectuadas por la máquina.
Colocar la llave de encendido (58) en la posición "0".

CARGA DE LAS BATERÍAS

**NOTA**

Cargar las baterías cuando se enciende el LED amarillo o rojo (62) o al final de cada trabajo. Si se mantienen las baterías cargadas, su durabilidad aumenta.

**¡ADVERTENCIA!**

No dejar las baterías descargadas durante mucho tiempo, porque su durabilidad podría reducirse. Controlar la carga de las baterías por lo menos una vez por semana.

**¡ATENCIÓN!**

Si se usan baterías de plomo (WET), cargando las baterías se produce gas hidrógeno muy explosivo. Levantar el depósito del agua de recuperación durante las operaciones de carga de las baterías y efectuar la carga solo en áreas muy bien ventiladas y lejos de llamas libres.

No fumar cuando se cargan las baterías.

El conjunto de los depósitos debe quedarse levantado mediante el pie de soporte (25) mientras que se cargan las baterías.

**¡ATENCIÓN!**

Durante la carga de las baterías WET tener mucho cuidado que el líquido de las baterías no sobresalga. Este líquido es muy corrosivo. En caso de contacto con la piel o los ojos lavar a conciencia con agua y consultar un médico.

Operaciones preliminares

1. Llevar la máquina en el área designada para la carga de las baterías.
2. Asegurarse que la máquina esté apagada con la llave de encendido (58) sacada.
3. Abrir la tapa (20) y controlar que el depósito (19) esté vacío, si no vaciarlo mediante el tubo de descarga (24).
4. Cerrar la tapa (20).
5. Abrir con cuidado el conjunto depósito (44).
6. (Sólo para baterías WET) controlar el nivel de electrolito de las baterías (39). Si necesario, desenroscar los tapones (40) y rellenar.
Luego, cerrar los tapones (40) y, si necesario, limpiar la superficie superior de las baterías.

Carga de las baterías

7. Conectar el cable (41) del cargador de baterías a la red eléctrica [la tensión y la frecuencia de la red deben ser compatibles con los valores del cargador de baterías, indicados en la placa del número de serie de la máquina].

**NOTA**

Cuando el cargador de baterías está conectado a la red eléctrica, todas las funciones de la máquina se paran automáticamente.

Si el LED rojo (62) está encendido indica que el cargador está cargando las baterías.

Si el LED amarillo (62) está encendido indica que el cargador está acabando de cargar las baterías.

Cuando el LED verde se enciende, el ciclo de carga de las baterías está acabado.

8. Desconectar el cable (41) del cargador de baterías de la red eléctrica y engancharlo a su alojamiento detrás del cargador de baterías.
9. Bajar con cuidado el conjunto depósito (44).
10. La máquina está lista para el uso.

**NOTA**

Para informaciones suplementarias sobre el funcionamiento del cargador de baterías (16) véase el manual relacionado.

LIMPIEZA DE LA BOQUILLA



NOTA

Para un buen secamiento, la boquilla debe estar limpia y con los cauchos en buenas condiciones.



¡ADVERTENCIA!

Durante estas operaciones se recomienda utilizar guantes de trabajo, porque residuos cortantes podrían estar en la boquilla.

1. Llevar la máquina sobre un suelo llano.
2. introducir la llave de encendido (58) y colocarla en la posición "I".
3. Bajar la boquilla (30) pulsando el pulsador (63).
4. Colocar la llave de encendido (58) en la posición "0".
5. Desconectar el tubo de aspiración (31) de la boquilla.
6. Aflojar las empuñaduras (34) y quitar la boquilla (30).
7. Lavar y limpiar la boquilla. Limpiar especialmente los huecos (A, Fig. 6) y el orificio (B). Controlar que los cauchos delantero (C) y trasero (D) estén en buenas condiciones, que no estén cortados o desgarrados; de lo contrario, sustituirlos.
8. Montar en orden contrario al desmontaje.

CONTROL Y SUSTITUCIÓN DE LOS CAUCHOS DE LA BOQUILLA

1. Limpiar la boquilla (Fig. 6) como indicado en el párrafo anterior.
2. Controlar que el borde (E) del caucho delantero (C) y el borde (F) del caucho trasero (D) apoyen contemporáneamente sobre un plano de comprobación, por toda su longitud; de lo contrario ajustar la altura, como indicado a continuación:
 - Desenganchar el tirante (G), desenganchar el retén (M) y ajustar el caucho trasero (D); luego enganchar el retén y fijar con el tirante.
 - Aflojar las empuñaduras (I) y ajustar el caucho delantero (C), luego apretar las empuñaduras.
3. Controlar que los cauchos delantero (C) y trasero (D) estén en buenas condiciones, que no estén cortados o desgarrados, de lo contrario, sustituirlos mediante el procedimiento siguiente. Controlar también que el borde delantero (J) del caucho trasero no esté desgastado; de lo contrario volcar el caucho mismo, llevando en su posición uno de los otros bordes no desgastado. Si todos los bordes están desgastados, sustituir el caucho, mediante el procedimiento siguiente:
 - Quitar el tirante (G), desenganchar el retén (M) y quitar la cinta de sujeción (K), luego sustituir/volcar el caucho trasero (D).
 - Montar el caucho en orden contrario al desmontaje.
 - Desenroscar las empuñaduras (I) y quitar la cinta de sujeción (L), luego sustituir el caucho delantero (C).
 - Montar el caucho en orden contrario al desmontaje.
 Después de la sustitución (o vuelco) de los cauchos, ajustar su altura, como indicado en el paso antecedente.
4. Conectar el tubo de aspiración (31) a la boquilla.
5. Montar la boquilla (30) y apretar las empuñaduras (34).
6. Si necesario, ajustar la empuñadura de ajuste del equilibrado (35) de la boquilla.

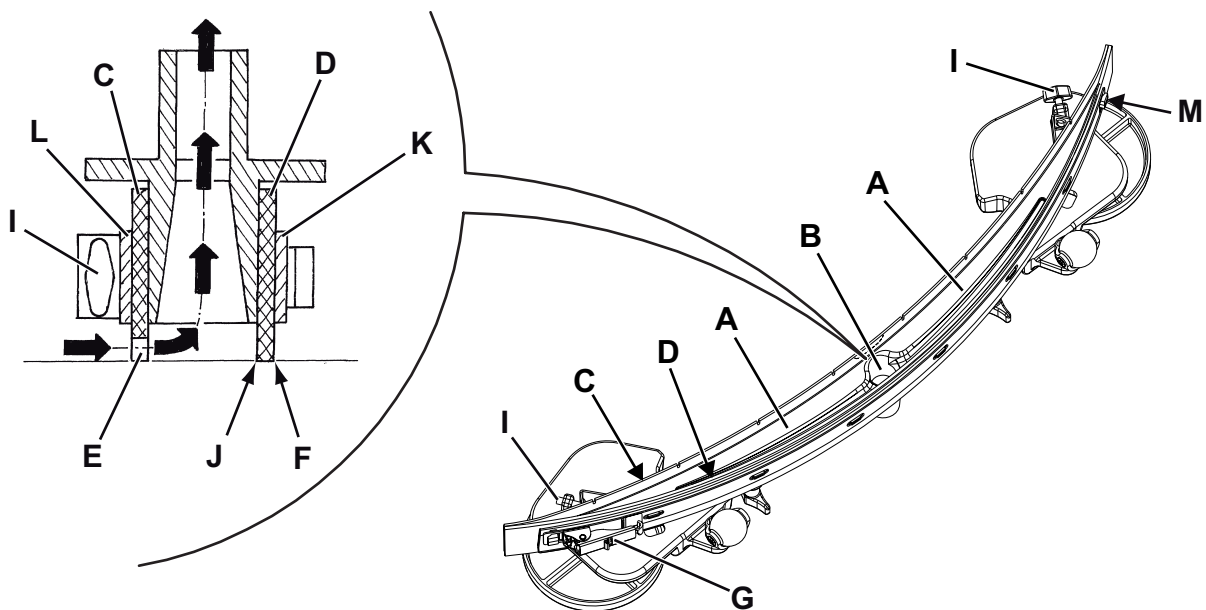


Figura 5

P100367

LIMPIEZA DE LOS CEPILLOS



¡ADVERTENCIA!

Durante estas operaciones se aconseja utilizar guantes de trabajo, porque residuos cortantes podrían estar en los cepillos.

1. Quitar los cepillos de la máquina como indicado en el capítulo Uso.
2. Limpiar y lavar los cepillos con agua y detergente.
3. Controlar que las cerdas de los cepillos no estén dañadas o excesivamente desgastadas; de lo contrario, sustituirlos.

LIMPIEZA DEL DEPÓSITO DEL AGUA DE RECUPERACIÓN

1. Llevar la máquina en el área de eliminación designada.
2. Colocar la llave de encendido (58) en la posición "0".
3. Abrir la tapa (20).
4. Limpiar y lavar con agua limpia, la tapa (20) y el depósito (19).
Descargar el agua del depósito mediante el tubo (24).
5. Limpiar la rejilla de aspiración (27), desenganchar los retenes (A, Fig. 6), abrir la rejilla (A) y quitar el flotador (C), luego limpiar con cuidado y volver a instalar.
6. Limpiar el contenedor con rejilla de recogida de residuos (26), desmontar el filtro (G), quitar la tapa (H), luego limpiar con cuidado y reinstalar en el tubo de aspiración.
7. Controlar la integridad de la guarnición (D) de la tapa del depósito.



NOTA

La guarnición (D) causa la formación de vacío en el depósito, necesario para la aspiración del agua de recuperación.

Si necesario, sustituir la guarnición (D), quitándola de su alojamiento (E). Cuando se instala la nueva guarnición, posicionar la unión (F) en el área inferior indicada en la figura.

8. Controlar que toda la superficie perimetral (I) de apoyo de la guarnición (D) no esté dañada y que sea adecuada para la estanqueidad de la guarnición misma.
9. Cerrar la tapa (20).

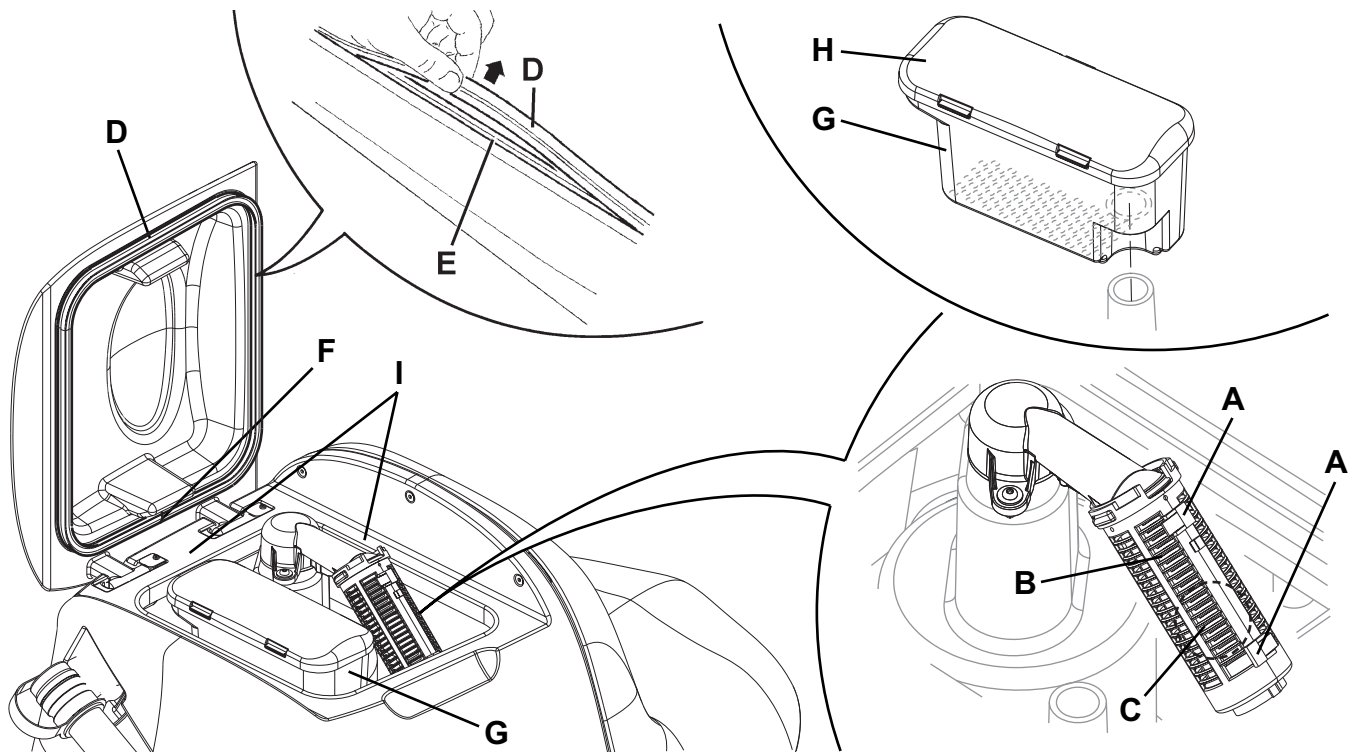


Figura 6

P100368

LIMPIEZA DEL FILTRO DEL MOTOR DEL SISTEMA DE ASPIRACIÓN

1. Llevar la máquina sobre un suelo llano.
2. Colocar la llave de encendido (58) en la posición "0".
3. Abrir la tapa (20) y controlar que el depósito del agua de recuperación (19) esté vacío, si no vaciarlo mediante el tubo de descarga (24).
4. Cerrar la tapa (20).
5. Abrir con cuidado el conjunto depósito (44).
6. Controlar que el filtro (37) esté limpio. Si necesario, limpiarlo con agua y aire comprimido, luego volver a instalarlo.

LIMPIEZA DEL FILTRO DE LA SOLUCIÓN DETERGENTE

1. Llevar la máquina sobre un suelo llano.
2. Colocar la llave de encendido (58) en la posición "0".
3. Cerrar el grifo de la solución detergente (A, Fig. 7) que se encuentra bajo la máquina, detrás de la rueda trasera derecha. El grifo (A) está cerrado cuando está en la posición (B) con respecto a la tubería y está abierto cuando está en la posición (C).
4. Quitar la tapa transparente (D) con la guarnición (E), luego quitar la rejilla filtrante (F) bajo de la máquina, delante de la rueda trasera derecha. Limpiarlas y montarlas en el soporte (G).



NOTA

Posicionar correctamente la rejilla filtrante (F) en el alojamiento del soporte (G).

5. Abrir el grifo (A).

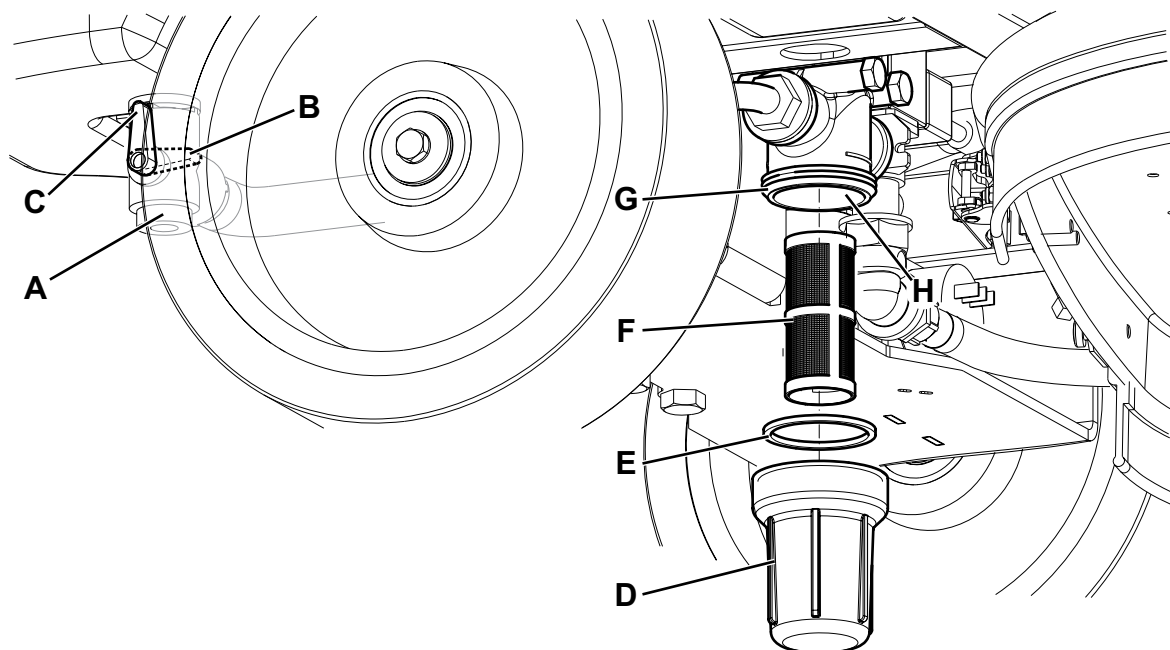


Figura 7

P100370

LIMPIEZA DEL COMPARTIMIENTO DE LAS BATERÍAS

Limpiar cualquier líquido de la parte inferior del compartimento de las baterías (A, Fig. 8).

1. Llevar la máquina en el área de eliminación designada.
2. Abrir la válvula (B) debajo del depósito de la solución detergente y drenar el líquido de la parte inferior del compartimento de las baterías.

LIMPIEZA DEL DEPÓSITO DEL DETERGENTE

Limpiar el depósito del detergente (42) efectuando el procedimiento siguiente:

1. Llevar la máquina en el área de eliminación designada.
2. Abrir la tapa (20) y controlar que el depósito del agua de recuperación (19) esté vacío, si no vaciarlo mediante el tubo de descarga (24). Cerrar la tapa (20).
3. Abrir con cuidado el conjunto depósito (44).
4. Desenroscar el tapón y desconectar el tubo (A, Fig. 9) del depósito (B).
5. Quitar el depósito.
6. Lavar y limpiar el depósito en el área de eliminación designada.
7. Volver a colocar el depósito (42) en su alojamiento como en figura y conectarlo al tubo (A).
8. Después del vaciado del depósito del detergente puede ser necesario expurgar el sistema EcoFlex (véase el procedimiento en el párrafo siguiente).

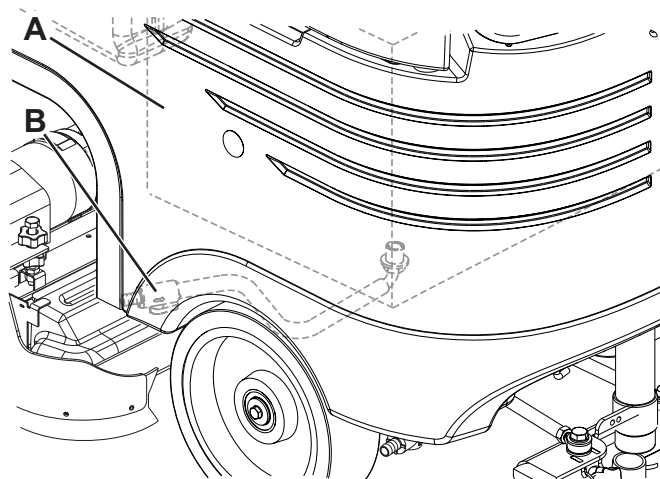


Figura 8

P100371

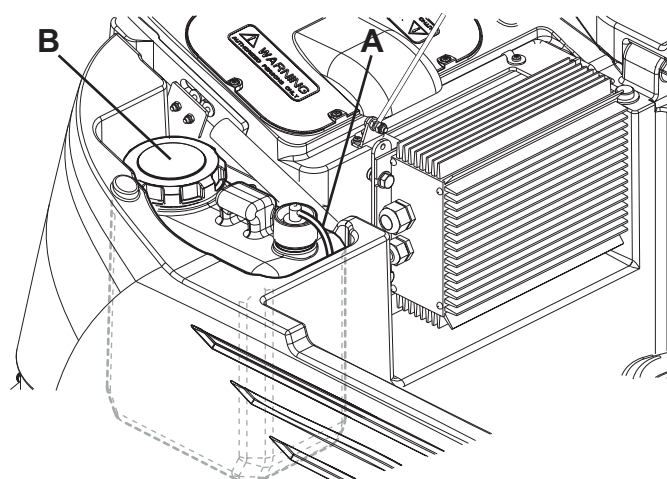


Figura 9

P100371

VACIADO DEL SISTEMA ECOFLEX

Limpiar el depósito del detergente como indicado en el párrafo precedente. Para quitar los residuos de detergente en las tuberías y en la bomba del detergente, efectuar el procedimiento siguiente.

1. Poner en marcha la máquina colocando la llave de encendido (58) en la posición "I".
2. Apretar el pulsador (53). Controlar que el LED (54) del pulsador se encienda.
3. Pulsar contemporáneamente los pulsadores (53 y 59), hasta que el LED (54) empiece a parpadear (después de unos 5 segundos).
4. Soltar los pulsadores y esperar que el LED (54) acabe de parpadear y que el sistema de aspiración se accione.
5. Aspirar los residuos de detergente que han quedado en el suelo.
6. Colocar la llave de encendido (58) en la posición "0".
7. Levantar el depósito (19), luego controlar que el tubo del depósito del detergente (42) esté vacío, de lo contrario repetir los pasos de 2 a 6.



NOTA

El ciclo de expurgación dura unos 30 segundos, después de que se activa automáticamente la función de aspiración que permite eliminar los residuos de detergente.

La expurgación se puede efectuar aun si el depósito del detergente (42) está lleno de agua. De esta forma, el lavado del sistema sería total.

Es necesario efectuar esta expurgación cuando el sistema EcoFlex está muy sucio/incrustado después de inactividad/falta de limpieza de la máquina durante largos periodos.

La expurgación se puede efectuar también para acelerar el llenado del tubo de aspiración del detergente cuando el depósito (42) está lleno y el sistema está todavía vacío.

La expurgación, si necesaria, puede efectuarse varias veces consecutivamente.

CONTROL/SUSTITUCIÓN DE LOS FUSIBLES



NOTA

Todos los circuitos eléctricos de la máquina están protegidos por dispositivos electrónicos de auto-reactivación. Los fusibles de seguridad se activan sólo en caso de avería grave.

Por lo tanto se recomienda que la sustitución de los fusibles sea efectuada sólo por el personal cualificado. Consultar el Manual de asistencia disponible en los revendedores Advance.

FUNCIONES DE SEGURIDAD

La máquina está equipada de las siguientes funciones de seguridad.

PULSADOR DE EMERGENCIA

Se encuentra en una posición (8) fácilmente accesible por el operador. Pulsarlo en caso de necesidad inmediata para parar la máquina y todas sus funciones.

Para reactivar las funciones de la máquina levantar el conjunto depósitos (44) y reconectar el conector de las baterías (9).

SISTEMA DE SEGURIDAD ANTIDERRAPE

Disminuye, si necesario, la velocidad durante los virajes y en caso de inclinación lateral de la máquina para evitar derrape imprevisto y aumentar la estabilidad de la máquina en cada condición.



MICROINTERRUPTOR DEL ASIENTO DE CONDUCCIÓN

Se encuentra al interior del asiento de conducción y no permite el funcionamiento del sistema de tracción de la máquina cuando el operador no está sentado en el asiento de conducción.

FRENO ELECTROMAGNÉTICO

Está integrado en la rueda delantera y mantiene la máquina frenada cuando está apagada o parada.

BÚSQUEDA AVERÍAS

AVERÍA	PROBABLE CAUSA	SOLUCIÓN
Los motores no funcionan; ningún LED se enciende.	El conector de la batería está desconectado.	Conectar.
	Las baterías están descargadas.	Cargar las baterías.
La máquina no se mueve y el visualizador (71) muestra el código de error: 	La máquina fue encendida con la llave de encendido teniendo pisado el pedal.	Soltar el pedal de marcha. Si el problema sigue existiendo, contactar con un Centro de asistencia autorizado.
Cuando se pone en marcha la máquina, el LED (68) del pulsador (67) parpadea y los cepillos no funcionan.	La máquina fue apagada sin levantar el cabezal portacepillos.	Esperar que el cabezal esté levantado antes de activar de nuevo los cepillos pulsando el pulsador.
Los cepillos no funcionan; el LED rojo parpadea.	Las baterías están descargadas.	Cargar las baterías.
Los 3 LED (62) parpadean simultáneamente.	Sobrecarga de los motores de los cepillos.	Usar cepillos menos duros o de tipo diferente o no trabajar con presión suplementaria activada.
	Cuerpos extraños (hilos enrollados, etc.) que puedan frenar la rotación de los cepillos.	Limpiar los cubos de los cepillos.
El visualizador (71) muestra un código de error tipo:  donde "00" se sustituye por un código diferente de "t4".	Condición de alarma del sistema electrónico de control de la máquina.	Apagar y volver a encender la máquina. Si el problema sigue existiendo, contactar con un Centro de asistencia autorizado.

AVERÍA	PROBABLE CAUSA	SOLUCIÓN
La aspiración de agua sucia es insuficiente.	El depósito del agua de recuperación está lleno.	Vaciar el depósito.
	La rejilla de aspiración está obstruida o el flotador está cerrado.	Limpiar la rejilla de aspiración.
	El contenedor con rejilla de recogida de residuos está obstruido.	Limpiar.
	El tubo está desconectado de la boquilla.	Conectar.
	La boquilla está sucia o los cauchos de la boquilla están desgastados o dañados.	Limpiar la boquilla o volcar/sustituir los cauchos.
	La tapa del depósito no está cerrada correctamente, o la guarnición está desgastada.	Cerrar correctamente la tapa o limpiar/sustituir la guarnición.
El flujo de la solución detergente es insuficiente.	El depósito de la solución detergente está vacío.	Llenar.
	El filtro de la solución detergente está sucio	Limpiar el filtro.
	El depósito del sistema EcoFlex está sucio/ incrustado.	Vaciar.
La boquilla causa estriados en el suelo.	Residuos bajo de los cauchos de la boquilla.	Quitar los residuos.
	Los cauchos de la boquilla están desgastados, astillados o desgarrados.	Volcar o sustituir los cauchos.
	La boquilla no fue equilibrada mediante la empuñadura.	Ajustar la boquilla.

**NOTA**

La máquina no puede funcionar sin el cargador de baterías.

Si el cargador de baterías no funciona correctamente, contactar con un Centro de asistencia autorizado.

Para explicaciones o informaciones, contactar con los Centros de asistencia Advance.

ELIMINACIÓN

Eliminar la máquina en un demoledor calificado.

Antes de eliminar la máquina es necesario quitar y separar los siguientes materiales y eliminarlos según las actuales normas de higiene ambiental:

- Baterías
- Cepillos
- Tubos y componentes de plástico
- Componentes eléctricos y electrónicos (*)

(*) En particular, para la eliminación de componentes eléctricos y electrónicos, contactar con Advance.

Composición de material de la máquina y reciclabilidad

Tipo	% reciclable	Porcentaje de peso de la máquina
Aluminio	100 %	9 %
Motores eléctricos - misc.	29 %	18 %
Materiales ferrosos	100 %	42 %
Cableados	80 %	3 %
Líquidos	100 %	0 %
Plástico - no reciclable	0 %	3 %
Plástico - reciclable	100 %	1 %
Polietileno	92 %	23 %
Caucho	20 %	1 %

TABLE DES MATIÈRES

INTRODUCTION	2
BUT ET CONTENU DU MANUEL	2
DESTINATAIRES.....	2
CONSERVATION DU MANUEL.....	2
DONNÉES D'IDENTIFICATION	2
AUTRES MANUELS DE RÉFÉRENCE.....	2
PIÈCES DE RECHANGE ET ENTRETIEN	2
MODIFICATIONS ET AMÉLIORATIONS.....	2
CAPACITÉS OPÉRATIONNELLES	2
CONVENTIONS	2
DÉBALLAGE / LIVRAISON	3
SÉCURITÉ	3
SYMBOLES VISIBLES SUR LA MACHINE.....	3
SYMBOLES UTILISÉS DANS LE MANUEL.....	4
INSTRUCTIONS GÉNÉRALES.....	4
DESCRIPTION DE LA MACHINE	6
STRUCTURE DE LA MACHINE.....	6
VOLANT AVEC TABLEAU DE BORD.....	8
ACCESSOIRES / OPTIONS.....	9
CARACTÉRISTIQUES TECHNIQUES.....	9
SCHÉMA ÉLECTRIQUE.....	10
UTILISATION/FONCTIONNEMENT	12
CONTRÔLE / PRÉPARATION DES BATTERIES SUR UNE MACHINE NEUVE	12
INSTALLATION DES BATTERIES ET CONFIGURATION DU TYPE DE BATTERIES (WET OU GEL/AGM).....	13
AVANT LA MISE EN MARCHÉ.....	14
MISE EN MARCHÉ ET ARRÊT DE LA MACHINE	16
MACHINE AU TRAVAIL (LAVAGE / SÉCHAGE)	17
VIDANGE DES RESERVOIRS.....	19
APRÈS L'UTILISATION DE LA MACHINE	20
MOUVEMENT PAR POUSSÉE/REMORQUAGE DE LA MACHINE.....	20
ENTRETIEN	21
PLAN D'ENTRETIEN PROGRAMMÉ.....	21
CONTROLE DES HEURES DE TRAVAIL DE LA MACHINE	21
CHARGEMENT DES BATTERIES	22
NETTOYAGE DE L'EMBOUCHURE	23
CONTRÔLE ET REMPLACEMENT DES LAMELLES EN CAOUTCHOUC DE L'EMBOUCHURE.....	23
NETTOYAGE DES BROSSES	24
NETTOYAGE DU RÉSERVOIR DE L'EAU DE RÉCUPÉRATION	24
NETTOYAGE DU FILTRE DU MOTEUR DU SYSTÈME D'ASPIRATION.....	25
NETTOYAGE DU FILTRE DE LA SOLUTION	25
NETTOYAGE DU COMPARTIMENT DE BATTERIE	26
NETTOYAGE DU RESERVOIR DU DETERGENT	26
VIDANGE DU SYSTÈME ECOFLEX	26
CONTRÔLE / REMPLACEMENT DES FUSIBLES	27
FONCTIONS DE SÉCURITÉ	27
BOUTON-POUSSOIR D'URGENCE.....	27
SYSTÈME DE SÉCURITÉ ANTI-DÉRAPAGE.....	27
MICRO-INTERRUPTEUR DU SIÈGE CONDUCTEUR.....	27
FREIN ÉLECTROMAGNÉTIQUE.....	27
DÉPISTAGE DES PANNES	27
MISE À LA FERRAILLE	28

INTRODUCTION



REMARQUE

Les nombres entre parenthèses se réfèrent aux composants indiqués au chapitre Description de la machine.

BUT ET CONTENU DU MANUEL

Ce manuel se propose de fournir à l'opérateur toutes les informations nécessaires afin qu'il puisse utiliser la machine correctement et la gérer de la manière la plus autonome et sûre. Il comprend des informations concernant l'aspect technique, la sécurité, le fonctionnement, l'arrêt de la machine, l'entretien, les pièces de rechange et la mise à la ferraille.

Avant d'effectuer une opération quelconque sur la machine, les opérateurs et les techniciens qualifiés doivent lire attentivement les instructions contenues dans ce manuel. En cas de doutes sur la correcte interprétation des instructions, contacter Advance pour avoir plus de renseignements.

DESTINATAIRES

Ce manuel s'adresse à l'opérateur aussi bien qu'aux techniciens préposés à l'entretien de la machine.

Les opérateurs ne doivent pas exécuter les opérations réservées aux techniciens qualifiés. Advance ne répond pas des dommages dus à l'inobservance de cette interdiction.

CONSERVATION DU MANUEL

Le Manuel des instructions d'utilisation doit être conservé à proximité de la machine, dans une enveloppe appropriée, à l'écart des liquides et autres substances susceptibles de l'endommager.

DONNÉES D'IDENTIFICATION

Le numéro de série et le modèle de la machine sont marqués sur la plaque (21) apposée sur la colonne de direction.

La plaque indique également l'année de fabrication (le code de date : 18 signifie janvier 2018) et le code du produit.

Ces informations sont nécessaires lors de la commande des pièces de rechange de la machine. Utiliser l'espace suivant pour noter les données d'identification de la machine.

Modèle
Numéro du modèle
Numéro de série

AUTRES MANUELS DE RÉFÉRENCE

– Manuel du chargeur de batterie électronique (qui constitue une partie intégrante de ce manuel)

Les manuels suivants sont aussi disponibles :

- Manuel d'entretien (consultable seulement par les techniciens préposés auprès des Services après-vente Advance)
- Catalogue des pièces de rechange (livré avec la machine)

PIÈCES DE RECHANGE ET ENTRETIEN

Pour toute nécessité concernant l'emploi, l'entretien et la réparation, s'adresser au personnel qualifié ou directement aux Services après-vente Advance. N'utiliser que des pièces de rechange et accessoires d'origine.

Pour l'assistance ou la commande de pièces de rechange et accessoires, contacter Advance en spécifiant toujours le modèle et le numéro de série de la machine.

MODIFICATIONS ET AMÉLIORATIONS

Advance vise à un constant perfectionnement de ses produits et se réserve le droit d'effectuer des modifications et des améliorations lorsqu'elle le considère nécessaire sans l'obligation de modifier les machines précédemment vendues.

Toute modification et/ou ajout d'accessoires doit toujours être approuvée et réalisée par Advance.

CAPACITÉS OPÉRATIONNELLES

Cette auto-laveuse est conçue et fabriquée pour le nettoyage (lavage et séchage) de sols lisses et fermes en milieux commercial ou industriel, en conditions de sécurité absolue, par un opérateur qualifié.

L'auto-laveuse n'est pas adaptée au lavage de tapis ou moquettes.

CONVENTIONS

Toutes les références à en avant, en arrière, avant, arrière, droite ou gauche indiquées dans ce manuel doivent être considérées comme référées à l'opérateur assis en position de conduite sur son siège (17).

DÉBALLAGE / LIVRAISON

Pour déballer la machine, suivre attentivement les instructions sur l'emballage.

Pour le déplacement manuel de la machine, consulter le paragraphe Mouvement de la machine par poussée / remorquage.

Lors de la livraison de la machine, contrôler attentivement que l'emballage et la machine n'ont pas été endommagés pendant le transport. Si les dommages sont évidents, garder l'emballage de façon qu'il puisse être examiné par le transporteur qui l'a livré.

Contactez immédiatement le transporteur pour remplir une demande de dommages-intérêts.

Contrôler que le matériel livré avec la machine correspond à la liste suivante :

- Documentation technique :
 - Manuel des instructions d'utilisation de l'autolaveuse
 - Manuel du chargeur de batterie électronique
 - Catalogue de pièces de rechange de l'autolaveuse
- N° 2 fusibles lamellaires
- N° 2 cales pour logement de batterie de 6V



ATTENTION !

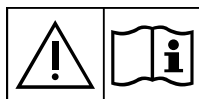
Les Produits vendus avec le présent manuel contiennent ou peuvent contenir des produits chimiques reconnus par certains gouvernements (comme l'État de Californie, par le biais de la proposition de loi d'avertissement réglementaire 65) comme provoquant des cancers, des anomalies congénitales et autres dangers pour la reproduction. Dans certains endroits (comme l'État de Californie), les acheteurs de ces Produits, qui les utilisent sur un lieu de travail ou dans un espace public, ont l'obligation d'apposer certains avis, avertissements ou informations concernant les produits chimiques qui sont ou peuvent être contenus dans les Produits dans ces lieux ou aux alentours de ces lieux de travail. Il incombe à l'acheteur de connaître les dispositions de, et de respecter, toutes les lois et réglementations ayant trait à l'utilisation de ces Produits au sein de tels environnements. Le Fabricant décline toute responsabilité d'informer les acheteurs concernant des exigences spécifiques qui peuvent s'appliquer à l'utilisation des Produits dans de tels environnements.

SÉCURITÉ

On utilise les symboles suivants pour signaler les conditions de danger potentielles. Lire attentivement ces informations et prendre les précautions nécessaires pour protéger les personnes et les choses.

Pour éviter tout accident la collaboration de l'opérateur est essentielle. Aucun programme de prévention des accidents du travail ne peut résulter efficace sans la totale collaboration de la personne directement responsable du fonctionnement de la machine. La plupart des accidents qui peuvent survenir dans une entreprise, pendant le travail ou les déplacements, sont dus à l'inobservance des plus simples règles de prudence.

SYMBOLES VISIBLES SUR LA MACHINE



ATTENTION !

Lire attentivement toutes les instructions avant toute opération dans la machine.



ATTENTION !

Ne pas laver la machine avec des jets d'eau directs ou sous pression.



ATTENTION !

Ne pas utiliser la machine sur des surfaces ayant une pente supérieure aux valeurs indiquées.

SYMBOLES UTILISÉS DANS LE MANUEL



DANGER !

Indique une situation dangereuse exposant l'opérateur au risque de blessures graves, voire mortelles.



ATTENTION !

Indique un risque potentiel d'accident pour les personnes ou de dommage matériel.



AVERTISSEMENT !

Indique un avertissement ou une remarque sur des fonctions clé ou utiles. Prêter la plus grande attention aux segments de texte marqués par ce symbole.



REMARQUE

Indique une remarque sur des fonctions clé ou utiles.



CONSULTATION

Indique la nécessité de consulter les instructions d'utilisation avant toute opération.

INSTRUCTIONS GÉNÉRALES

Les avertissements et précautions spécifiques suivants informent sur les potentiels risques de dommage à la machine ou aux personnes.



DANGER !

- Avant d'effectuer toute opération de nettoyage, d'entretien et de remplacement des composants, débrancher le connecteur de la batterie et enlever la clé de contact.
- Cette machine doit être utilisée uniquement par le personnel adéquatement formé.
- Ne pas porter de bijoux quand on travaille près de composants électriques.
- Ne pas travailler sous la machine soulevée, sans des supports fixes de sécurité convenables.
- Ne pas opérer avec cette machine en présence de poudres, liquides ou vapeurs nuisibles, dangereux, inflammables et / ou explosifs : La machine ne doit pas être utilisée pour ramasser des matériaux dangereux.
- Si des batteries au plomb (WET) sont installées dans la machine, tenir les étincelles, les flammes et les matériaux fumants loin des batteries. Les batteries produisent des gaz potentiellement explosifs pendant l'utilisation ordinaire.
- Si des batteries au plomb (WET) sont installées dans la machine, le chargement des batteries produit un gaz hydrogène très explosif. Soulever le réservoir de l'eau de récupération pendant le cycle de rechargement des batteries et effectuer cette opération dans un endroit bien aéré et loin de flammes libres.



ATTENTION !

- Avant d'effectuer toute opération d'entretien / réparation, lire attentivement toutes les instructions qui concernent l'entretien / réparation.
- Avant d'utiliser le chargeur de batterie, s'assurer que la fréquence et la tension indiquées sur la plaque avec numéro de série coïncident avec la tension du réseau.
- Ne pas utiliser le câble du chargeur de batterie pour tirer ou transporter la machine et ne pas utiliser le câble comme poignée. Ne pas fermer de porte sur le câble du chargeur de batterie, ne pas tirer le câble sur des surfaces ou coins tranchants. Ne pas faire passer la machine sur le câble du chargeur de batterie.
- Tenir le câble du chargeur de batterie éloigné des surfaces chaudes.
- Ne pas utiliser la machine si le câble du chargeur de batterie ou la fiche sont endommagés. Si la machine ne fonctionne pas correctement, a été endommagée, laissée à l'extérieur ou est tombée dans l'eau, la conduire dans un centre de service agréé.
- Pour réduire le risque d'incendie, chocs électriques ou blessures, ne pas laisser la machine sans surveillance lorsqu'elle est branchée au réseau électrique. Débrancher le câble du chargeur de batterie du réseau électrique avant d'effectuer toute opération d'entretien.
- Ne pas fumer pendant le chargement des batteries.
- Pour éviter l'utilisation non autorisée de la machine, enlever la clé de contact.
- Avant de laisser la machine sans surveillance, veiller à ce que celle-ci ne puisse pas bouger de façon autonome.
- Protéger toujours la machine du soleil, de la pluie et d'autres intempéries, pendant le fonctionnement et à l'arrêt. Garder la machine dans un endroit couvert et sec : La machine ne doit pas être utilisée ou rangée à l'extérieur, en conditions d'humidité.
- Avant d'utiliser la machine, fermer tous les volets et/ou carters comme indiqué sur le Manuel des instructions d'utilisation.

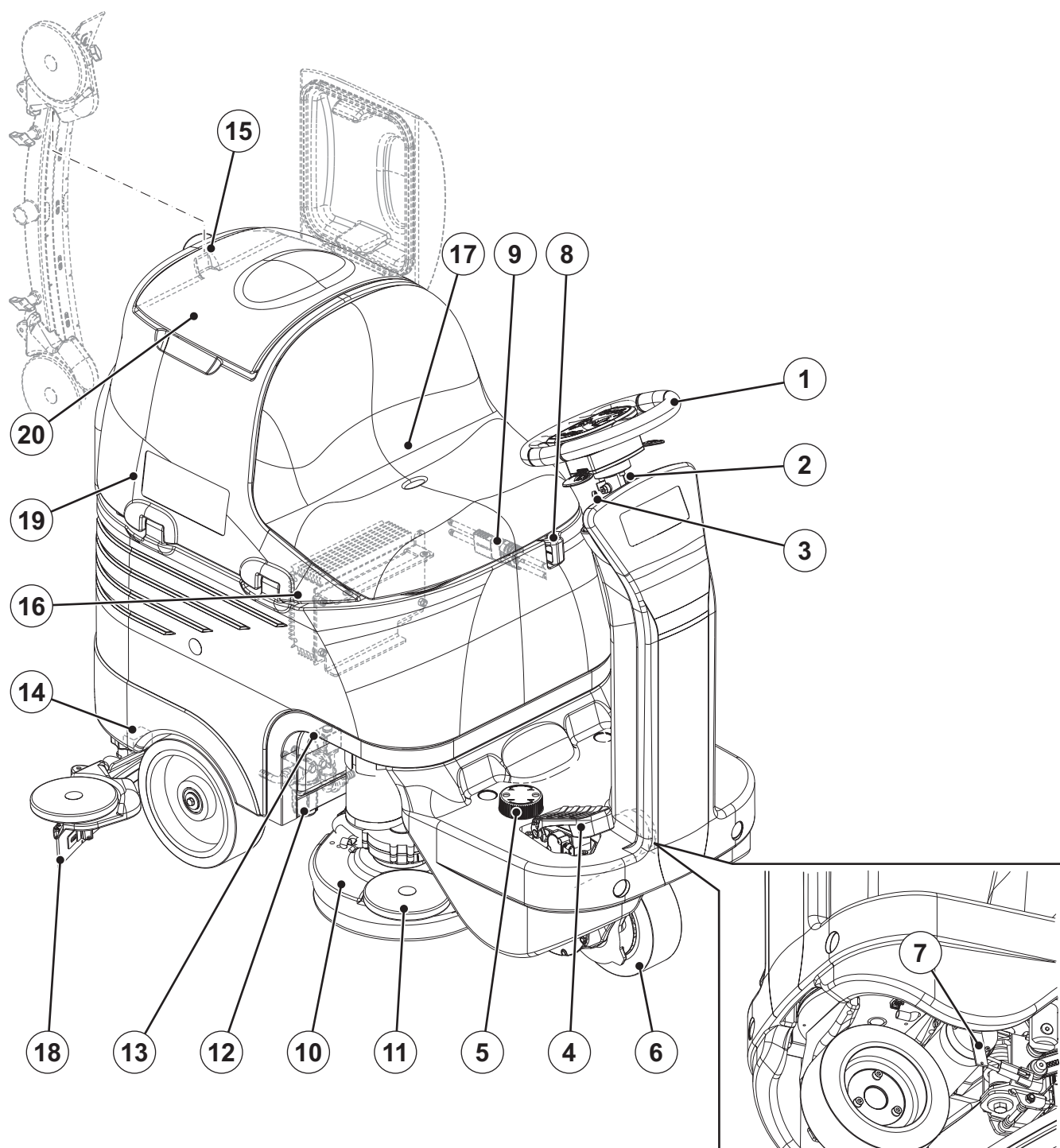
**ATTENTION !**

- *La machine ne doit être utilisée par des personnes (y compris les enfants) aux capacités physiques, mentales et sensorielles limitées ou dépourvues de l'expérience ou de la formation que sous la supervision ou avec les directives d'une personne responsable de leur sécurité. Les enfants doivent être surveillés afin de s'assurer qu'ils ne jouent pas avec la machine.*
- *Faire attention lorsque la machine est utilisée à proximité des enfants.*
- *Ne pas utiliser à des fins autres que celles prévues dans ce manuel. Utiliser uniquement les accessoires recommandés par Advance.*
- *Prendre toutes les précautions nécessaires pour éviter que les cheveux, bijoux, parties non adhérentes des vêtements ne soient happés par les pièces en mouvement de la machine.*
- *Ne pas utiliser la machine sur des surfaces en pente.*
- *Afin de ne pas compromettre la stabilité, ne pas incliner la machine d'un angle supérieur à la valeur indiquée sur la machine même.*
- *Ne pas utiliser la machine dans des endroits très poussiéreux.*
- *Utiliser la machine seulement dans des endroits bien illuminés.*
- *Si la machine est utilisée en présence d'autres personnes, il faut allumer le feu tournant et l'avertisseur sonore de marche arrière (optionnels).*
- *Pendant l'utilisation de la machine, faire attention à sauvegarder l'intégrité des personnes et des choses.*
- *Ne pas heurter contre des étagères ou des échafaudages, en particulier en cas de danger de chute d'objets.*
- *Ne pas poser de conteneurs de liquides sur la machine, utiliser le porte-boissons spécial.*
- *La température de travail de la machine doit être comprise entre +32 °F et 104 °F (0 °C et +40 °C).*
- *La température de stockage de la machine doit être comprise entre +32 °F et 104 °F (0 °C et +40 °C).*
- *L'humidité doit être comprise entre 30 % et 95 %.*
- *Pendant l'utilisation de détergents pour le nettoyage des sols, suivre toujours les instructions et les avertissements indiqués sur les étiquettes des flacons.*
- *Avant la manipulation de détergents pour le nettoyage des sols, mettre les gants et les vêtements de protection adéquats.*
- *Ne pas utiliser la machine comme moyen de transport.*
- *Ne pas faire travailler les brosses lorsque la machine est arrêtée pour ne pas endommager le sol.*
- *En cas d'incendie, il est préférable d'utiliser un extincteur à poudre, plutôt qu'un extincteur à eau.*
- *Ne pas altérer pour aucune raison les protections prévues pour la machine, respecter scrupuleusement les instructions prévues pour l'entretien ordinaire.*
- *Ne pas laisser entrer d'objets dans les ouvertures. Ne pas utiliser la machine si les ouvertures sont obstruées. Garder les ouvertures de la machine libres de poussière, filasse, poils et tout autre corps étranger à même de réduire le flux d'air.*
- *Ne pas enlever ou altérer les plaques apposées sur la machine.*
- *Pour déplacer la machine manuellement, il est nécessaire de débloquer le frein électromagnétique. Après avoir déplacé la machine manuellement, activer à nouveau le frein électromagnétique. Ne jamais utiliser la machine avec le frein électromagnétique désactivé.*
- *Si la machine doit être poussée pour des questions de service (manque de batteries, batteries à plat, etc.), ne jamais dépasser la vitesse de 2,5 mph (4 km/h).*
- *La machine n'est pas approuvée pour l'utilisation sur la voie publique.*
- *Faire attention pendant les déplacements de la machine en conditions de températures inférieures au point de congélation. L'eau présente dans le réservoir de l'eau de récupération ou dans les tuyaux pourrait se congeler et endommager sérieusement la machine.*
- *Utiliser les brosses et les disques livrés avec la machine ou spécifiés dans le Manuel des instructions d'utilisation. L'utilisation de brosses ou disques différents peut compromettre la sécurité.*
- *S'assurer que les éventuelles anomalies de fonctionnement de la machine ne dépendent pas du manque d'entretien. Si tel n'est pas le cas, demander l'intervention du personnel agréé ou d'un Service après-vente agréé.*
- *En cas de remplacement de pièces, demander les pièces de rechange D'ORIGINE à un Concessionnaire ou Revendeur agréé.*
- *Afin de garantir la sécurité et le bon fonctionnement de la machine, l'entretien programmé indiqué au chapitre spécifique de ce manuel doit être effectué par du personnel ou un Service après-vente agréés.*
- *Ne pas laver la machine avec des jets d'eau directs ou sous pression ni avec des substances corrosives.*
- *Si la machine est équipée de batteries au plomb (WET), incliner la machine de 30° tout au plus, par rapport à la surface horizontale, afin d'empêcher un écoulement de l'acide des batteries particulièrement corrosif. S'il est nécessaire d'incliner la machine pour effectuer des opérations d'entretien, retirer les batteries.*
- *La machine doit être mise à la ferraille conformément aux normes en vigueur parce qu'elle renferme des matériaux toxiques et nuisibles (batterie, etc.), qui doivent être éliminés dans des déchetteries spéciales (voir le chapitre Mise à la ferraille).*

DESCRIPTION DE LA MACHINE

STRUCTURE DE LA MACHINE

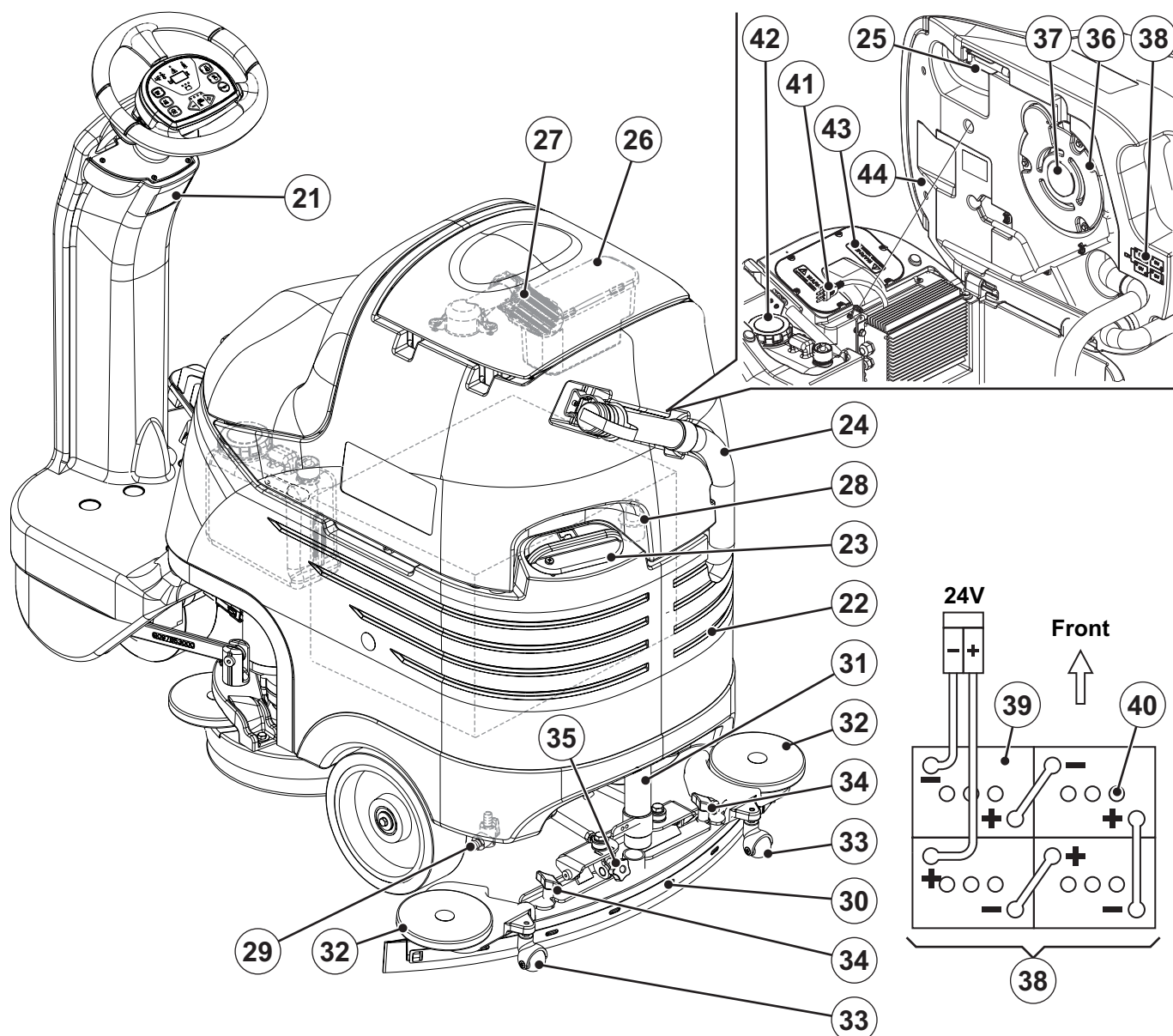
- | | |
|---|---|
| 1. Volant avec tableau de bord (voir le paragraphe suivant) | 11. Butée de rouleur |
| 2. Colonne de direction | 12. Filtre de solution |
| 3. Clé de contact | 13. Électrovanne |
| 4. Pédale de marche | 14. Robinet d'ouverture/fermeture d'eau de lavage |
| 5. Réglage hauteur appui talon | 15. Accrochage pour embouchure |
| 6. Roue avant de direction, de traction et de freinage | 16. Chargeur de batterie |
| 7. Levier de déblocage frein électromagnétique | 17. Siège |
| 8. Bouton-poussoir D'URGENCE, pour l'arrêt immédiat de toutes les fonctions | 18. Groupe lamelles en caoutchouc embouchure |
| 9. Connecteur batteries | 19. Réservoir basculant eau de récupération |
| 10. Tête porte-brosses | 20. Couvercle réservoir eau de récupération |



P100358

STRUCTURE DE LA MACHINE (suite)

- | | |
|---|--|
| 21. Plaque avec numéro de série / données techniques / marquage de conformité | 34. Boutons de fixation embouchure |
| 22. Réservoir eau de lavage | 35. Bouton de réglage équilibrage embouchure |
| 23. Bouchon de remplissage d'eau de lavage avec tuyau extractible pour remplissage | 36. Moteur système d'aspiration |
| 24. Tuyau de vidange eau de récupération | 37. Filtre moteur système d'aspiration |
| 25. Pied de support groupe réservoir | 38. Schéma de branchement batteries |
| 26. Conteneur déchets avec grille | 39. Batteries |
| 27. Grille d'aspiration avec fermeture automatique à flotteur | 40. Bouchons batteries |
| 28. Adaptateur pour tuyau extractible pour remplissage à l'eau et tuyau d'aspiration embouchure | 41. Câble d'alimentation chargeur de batterie |
| 29. Robinet du réservoir d'eau de lavage | 42. Réservoir de détergent EcoFlex |
| 30. Embouchure | 43. Couvercle logement dispositifs électroniques |
| 31. Tuyau d'aspiration embouchure | 44. Groupe réservoir et siège soulevé |
| 32. Rouleau pare-chocs embouchure | |
| 33. Roues d'appui embouchure | |



P100359

VOLANT AVEC TABLEAU DE BORD

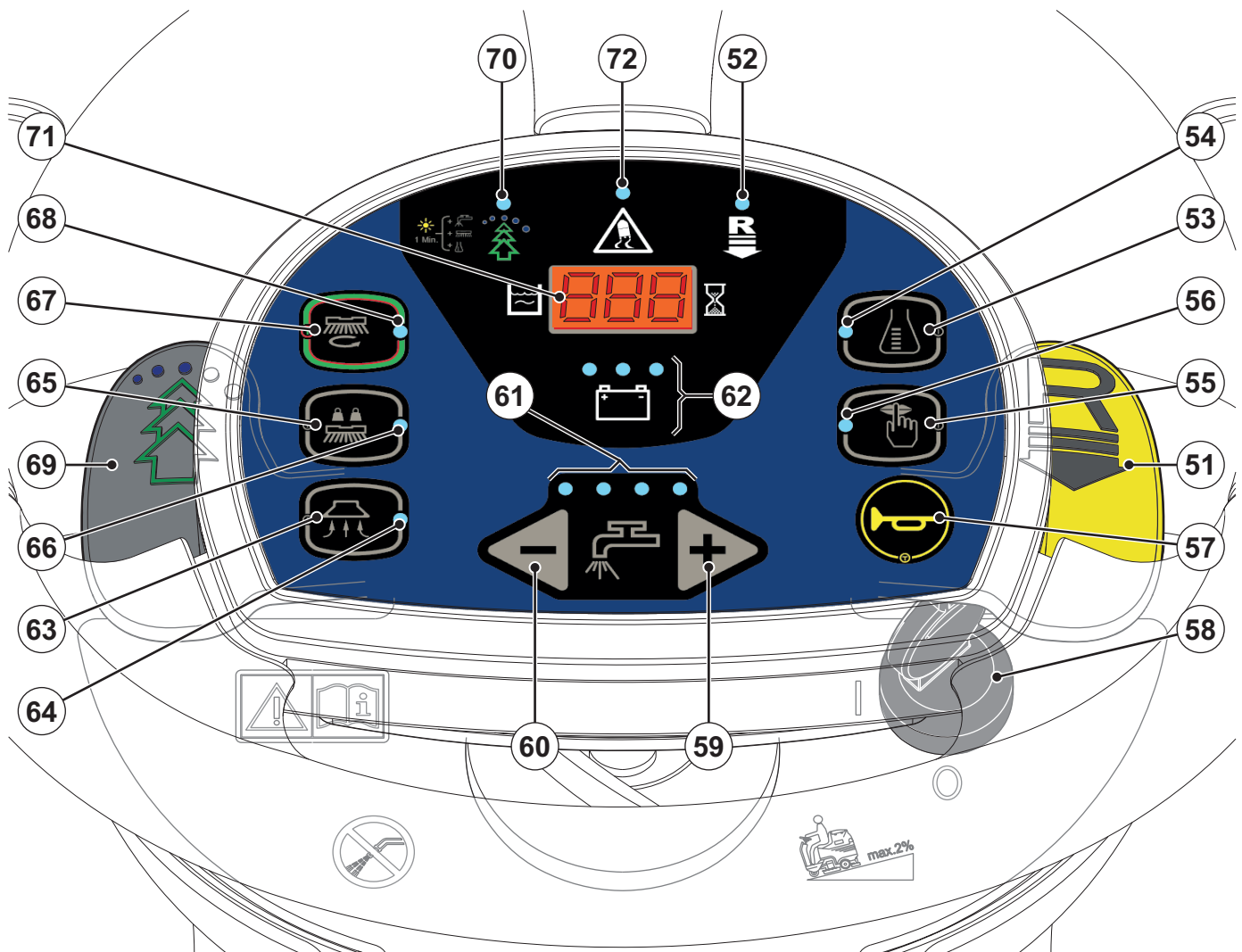
51. Levier d'activation / désactivation marche arrière
 52. DEL activation marche arrière
 53. Bouton de contrôle du débit de détergent
 54. DEL de contrôle du débit de détergent de lavage
 55. Bouton-poussoir de mode silencieux
 56. DEL de mode silencieux
 57. Bouton-poussoir d'avertisseur sonore
 58. Clé de contact
 59. Bouton-poussoir d'augmentation du débit de solution
 60. Bouton-poussoir de diminution du débit de solution
 61. DEL indiquant le débit de solution
 62. Voyant DEL de la batterie
 • Voyant DEL vert - batterie chargée
 • Voyant DEL jaune - batterie à moitié déchargée
 • Voyant DEL rouge - batterie déchargée
 63. Bouton-poussoir système d'aspiration
 64. DEL du système d'aspiration
 65. Bouton-poussoir d'extra-pression
 66. DEL extra-pression
 67. Bouton One-Touch™ lavage/séchage
 68. Voyant DEL One-Touch™
 • Del clignotante : Mouvement vers le haut/bas de la tête porte-brosses et embouchure
 • DEL allumée fixe : machine en fonction
 69. Levier d'activation / désactivation système EcoFlex
 70. DEL du système EcoFlex :
 • DEL allumée - EcoFlex en fonction
 • DEL clignotant - neutralisation du système EcoFlex
 • DEL éteint - EcoFlex désactivé
 71. Afficheur indiquant le compteur horaire et le niveau de la solution :
 • Lors de la mise en marche il indique, pendant quelques secondes, les heures de travail effectuées.
 • Pendant l'utilisation de la machine, il indique le niveau de la solution / eau propre contenue dans le réservoir (en gallons).
 • Lorsque le niveau dépasse les 18 US gal, l'afficheur indique « FUL ».
 • Lorsque le niveau est inférieur à 4 US gal, l'afficheur indique « LO ».
 • Quand le réservoir est presque vide, l'indication « LO » commence à clignoter.



REMARQUE

L'indication « LO » en mode clignotant peut apparaître avant la vidange complète du réservoir, il est donc possible d'effectuer les dernières phases de travail, en contrôlant tout de même le flux réel de solution détergente arrivant aux brosses.

72. DEL activation contrôle anti-dérapiage



P100360

ACCESSOIRES / OPTIONS

Outre les composants présents dans le modèle standard, la machine peut être équipée des accessoires optionnels suivants, selon l'emploi spécifique de la machine :

- Batteries GEL / AGM
- Brosses de matériaux différents
- Disques de matériaux différents
- Lamelles en caoutchouc de l'embouchure de matériaux différents
- Feu clignotant
- Kit mop a trash
- Moteur système d'aspiration à 0,9 HP (670 W)

Pour de plus amples informations sur les accessoires en option, s'adresser au revendeur agréé.

CARACTÉRISTIQUES TECHNIQUES

Description	SC3000 26" Disc
Capacité réservoir eau de lavage	21 US gal (80 litres)
Capacité réservoir eau de récupération	21 US gal (80 litres)
Longueur maximum machine	53,5 in (1360 mm)
Largeur machine sans embouchure	26,4 in (670 mm)
Largeur d'embouchure	35 in (890 mm)
Hauteur machine	46,8 in (1190 mm)
Espace de virage en U	59 in (1,500 mm)
Largeur de nettoyage	26 in (660 mm)
Diamètre de roue arrière	9,8 in (250 mm)
Pression spécifique au sol roues arrière	130 psi (0,9 N/mm ²)
Diamètre roue avant de direction, de traction et de freinage	8,8 in (225 mm)
Pression spécifique au sol roue avant	72 psi (0,5 N/mm ²)
Diamètre de brosses	13 in (330 mm)
Pression des brosses avec fonction d'extra-pression désactivée	66,1 lb (30 kg)
Pression des brosses avec fonction d'extra-pression activée	105,8 lb (48 kg)
Débit de solution	0,26 - 0,8 US gal/min (1 - 3 litres/min)
Pression acoustique à l'oreille de l'opérateur (ISO 11201, ISO 4871, EN 60335-2-72) (LpA)	65 dB(A) ± 3 dB(A)
Puissance acoustique émise par la machine (ISO 3744, ISO 4871, EN 60335-2-72) (LwA)	82 dB(A)
Niveau de vibrations au bras de l'opérateur (ISO 5349-1, EN 60335-2-72)	< 98,4 in/s ² (< 2,5 m/s ²)
Niveau de vibrations au corps de l'opérateur (ISO 2631-1, EN 60335-2-72)	3,1 in/s ² (0,8 m/s ²)
Pente maximum d'usage	2% (1,14°)
Puissance moteur système de traction	0,4 hp (300 W)
Vitesse maximum	3,7 mph (6 km/h)
Puissance moteur système d'aspiration	0,56 hp (420 W)
Dépression système d'aspiration	0,0098 MPa (1000 mmH ₂ O)
Puissance moteur de brosses	2 x 0,53 HP (2 x 400 W)
Vitesse de rotation des brosses	230 tr/min
Puissance totale absorbée	63 A (1,5 kW)
Degré de protection IP	X4
Dimensions logement batteries (longueur x largeur x hauteur)	14,9 x 21,2 x 11,8 in (380 x 540 x 300 mm)
Type de batteries	4 batteries de 6 V, 180 Ah C5 (WET) 4 batteries de 6 V, 180 Ah C5 (GEL / AGM)
Poids sans batteries et avec réservoirs vides	390 lb (177 kg)
Poids avec batteries et réservoirs vides	672 lb (305 kg)
Poids maximum en ordre de marche (PTC)	999 lb (453 kg)
Poids d'expédition	461 lb (209 kg)

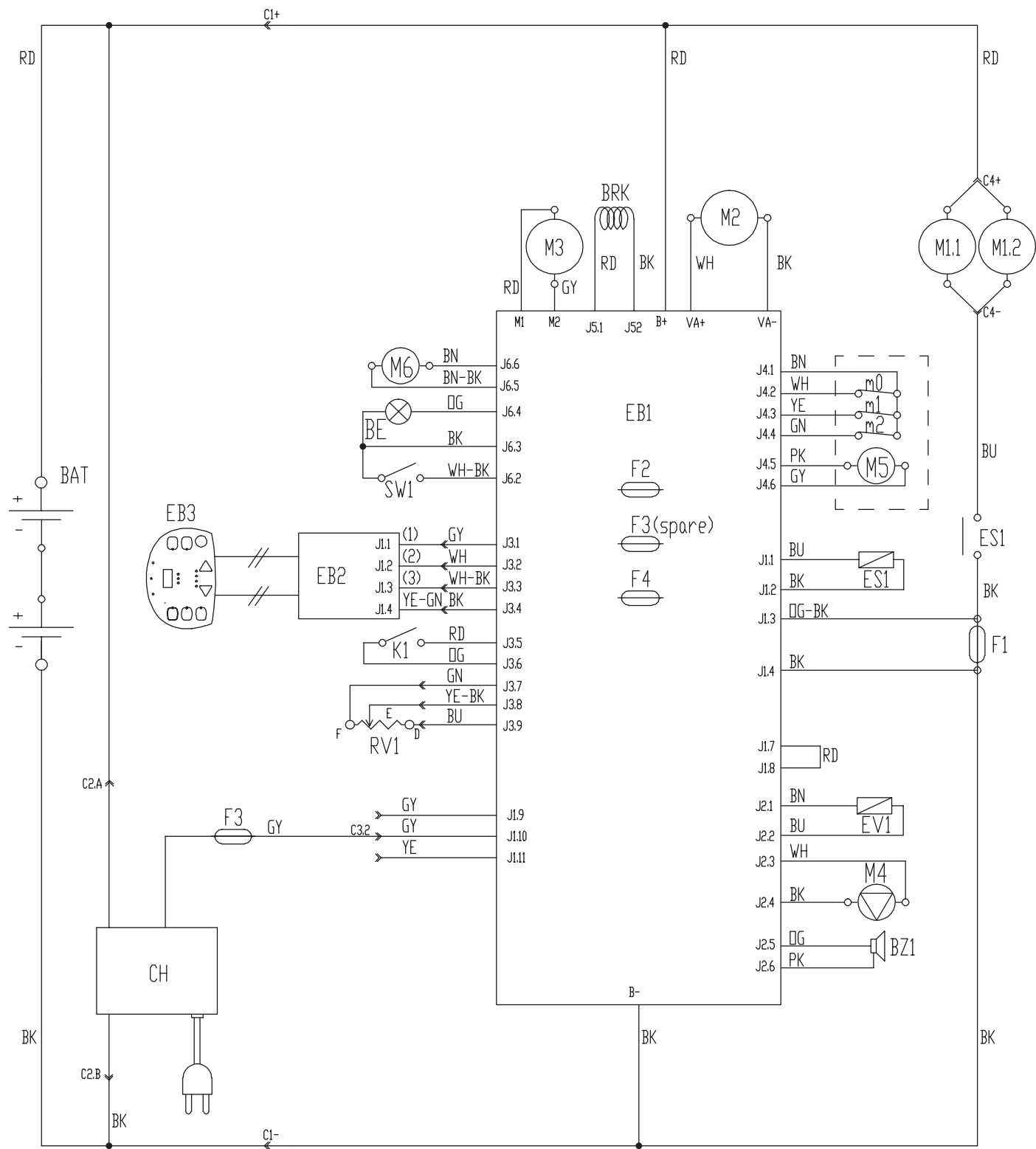
SCHÉMA ÉLECTRIQUE**Légende**

BAT	Batteries de 24 V
BE	Feu clignotant (optionnel)
BRK	Frein électromagnétique
BZ1	Avertisseur sonore de marche arrière / avertisseur sonore
C1	Connecteur batteries
C2	Connecteur principal chargeur de batterie
C3	Connecteur secondaire chargeur de batterie
C4	Connecteur tête de brosses
CH	Chargeur de batterie (optionnel)
EB1	Carte électronique de fonctions
EB2	Carte électronique afficheur
EB3	Carte électronique sérigraphie tableau de bord
ES1	Télérupteur de brosses
EV1	Électrovanne
F0	Fusible batterie
F1	Fusible tête de brosses
F2	Fusible carte électronique principale
F3	Fusible circuit de signal
F4	Fusible d'actionneur
K1	Commutateur de démarrage
M1.1,2	Moteurs de brosse
M2	Moteur système d'aspiration
M3	Moteur système de traction
M4	Pompe détergent (optionnelle)
M5	Moteur actionneur tête porte-brosses
M6	Moteur actionneur embouchure
m0	Microinterrupteur position 0 actionneur embouchure
m1	Microinterrupteur position 1 actionneur embouchure
m2	Microinterrupteur position 2 actionneur embouchure
PR1	Pressostat de niveau d'eau de lavage
RV1	Potentiomètre pédale de marche
SW1	Micro-interrupteur du siège conducteur

Codes des couleurs

BK	Noir
BU	Bleu
BN	Marron
GN	Vert
GY	Gris
OG	Orange
PK	Rose
RD	Rouge
VT	Violet
WH	Blanc
YE	Jaune

SCHEMA ELECTRIQUE (suite)



P100361A

UTILISATION/FONCTIONNEMENT

**ATTENTION !**

Des plaques adhésives appliquées sur certains points de la machine indiquent :

- **DANGER**
- **ATTENTION**
- **AVERTISSEMENT**
- **CONSULTATION**

Lors de la lecture de ce manuel, l'opérateur doit bien comprendre le sens des symboles illustrés sur les plaques. Ne pas couvrir les plaques et les remplacer immédiatement en cas d'endommagement.

CONTRÔLE / PRÉPARATION DES BATTERIES SUR UNE MACHINE NEUVE

**ATTENTION !**

Les composants électriques de la machine peuvent être sérieusement endommagés si les batteries ne sont pas installées et branchées correctement. Les batteries doivent être installées par le personnel qualifié. Configurer la carte électronique de fonctions, en fonction du type de batteries installé (WET ou GEL/AGM).

Contrôler les batteries avant l'installation pour vérifier qu'elles ne sont pas endommagées.

Débrancher le connecteur de la batterie et la fiche du chargeur de batterie.

Déplacer les batteries avec attention.

Installer les bouchons de protection des bornes de la batterie fournis avec la machine.

La machine requiert 4 batteries de 6 V, branchées selon le schéma (38).

La machine peut être livrée selon un des modèles suivants :

Batteries (WET ou GEL/AGM) installées sur la machine et prêtes à l'utilisation

1. Ouvrir le couvercle (20) et contrôler que le réservoir de l'eau de récupération (19) est vide. Dans le cas contraire, le vider au moyen du tuyau de vidange (24).
2. Fermer le couvercle (20).
3. Soulever le groupe réservoirs (44) avec soin.
4. Vérifier que les batteries sont branchées à la machine au moyen du connecteur (9).
5. Baisser le groupe réservoirs (44) avec soin.
6. Lors de la première utilisation de la machine avec des batteries neuves, effectuer un cycle de rechargement complet de la batterie (voir la procédure dans le chapitre Entretien).

Sans batteries

1. Acheter des batteries adaptées (voir le paragraphe Caractéristiques techniques). Pour le choix et l'installation, s'adresser à des revendeurs de batteries qualifiés.
2. Configurer la machine en fonction du type de batteries installé (WET ou GEL / AGM) (voir le paragraphe suivant).
3. Installer les batteries (voir le paragraphe suivant).
4. Charger les batteries (voir la procédure au chapitre Entretien).



INSTALLATION DES BATTERIES ET CONFIGURATION DU TYPE DE BATTERIES (WET OU GEL/AGM)**Installation des batteries**

1. Ouvrir le couvercle (20) et contrôler que le réservoir de l'eau de récupération (19) est vide. Dans le cas contraire, le vider au moyen du tuyau de vidange (24).
2. Fermer le couvercle (20).
3. Soulever le groupe réservoirs (44) avec soin.
4. Installer les batteries et les brancher selon le schéma spécifique (38).

Configuration du type de batteries

Régler la carte électronique de la machine et le chargeur de batterie en fonction du type de batteries installé (WET ou GEL/AGM) comme suit :

5. Tourner la clé de contact (58) sur « I » et repérer la configuration en cours en comptant, durant les premières secondes de fonctionnement de la machine, le nombre de clignotements des DELS de la batterie (62), comme le montre le tableau ci-dessous :

CONFIGURATION	AFFICHEUR (71)	SIGNALISATION DEL DE BATTERIE (62)	TYPE DE BATTERIES
1		4 clignotements de la DEL rouge	WET
2		4 clignotements de la DEL verte	GEL-AGM

6. S'il est nécessaire de changer la configuration, procéder comme suit.
7. Arrêter le moteur en tournant la clé de contact (58) en position « 0 ».
8. Appuyer en même temps et maintenir appuyé les boutons-poussoirs (67) et (63), puis tourner la clé de contact (58) en position « I ».
9. Relâcher les boutons-poussoirs (67) et (63) après 5 secondes minimum du démarrage de la machine.
10. Dans les 3 secondes, appuyer rapidement sur le bouton-poussoir (63) pour passer au réglage suivant (de 1 à 6 en succession cyclique).

**REMARQUE**

Pendant l'exécution des points 9 et 10, les configurations sont affichées aussi par l'afficheur (71) avec le code dans le tableau.

**REMARQUE**

Le chargeur de batterie doit être réglé selon son manuel d'utilisation.

Chargement des batteries

11. Charger les batteries (voir la procédure au chapitre Entretien).

AVANT LA MISE EN MARCHÉ**ATTENTION !**

A chaque démarrage de la machine, contrôler qu'il n'y a pas de corps étrangers entre la tête (10 et 28) et la machine ou bien entre l'embouchure (30) et la machine, parce qu'ils risquent d'entraver le levage de la tête et de l'embouchure. Ce contrôle s'impose puisque, si la machine a été arrêtée sans soulever la tête porte-brosses et l'embouchure, la tête et l'embouchure se souleveront automatiquement lors de l'allumage successif.

Installation/dépose des brosses

En fonction du type de nettoyage, la machine peut être équipée de brosses (A, Fig. 1) ou de plateaux support disque (B) avec disques (C) ainsi que du plateau approprié.

Pour leur installation/dépose, procéder comme suit.

1. Introduire la clé de contact (58) et la tourner sur « I ».

**ATTENTION !**

Avant de pousser sur le bouton One-Touch (67), contrôler toujours qu'aucun corps étranger logé entre la tête (10) et la machine n'entrave le levage de la tête.

2. Soulever la tête en appuyant sur le bouton One-Touch (67).
3. Tourner la clé de contact (58) sur « 0 » et l'enlever.
4. Installer les brosses/plateaux support disque (A ou B) et les introduire dans le moyeu d'entraînement (D) sous la culasse, puis les tourner dans les sens contraire du sens de rotation des brosses jusqu'en butée (E).
5. Pour déposer les brosses, exécuter les points de 1 à 3, puis décrocher manuellement la brosse du moyeu en la faisant tourner dans le sens de rotation normal (F).

**ATTENTION !**

L'utilisation de la machine qui n'est pas installée parfaitement peut provoquer des lésions aux personnes et endommager les équipements. Vérifier toujours que tous les composants ont été installés avant de mettre la machine en service. Inspecter la machine avec soin avant de l'utiliser.

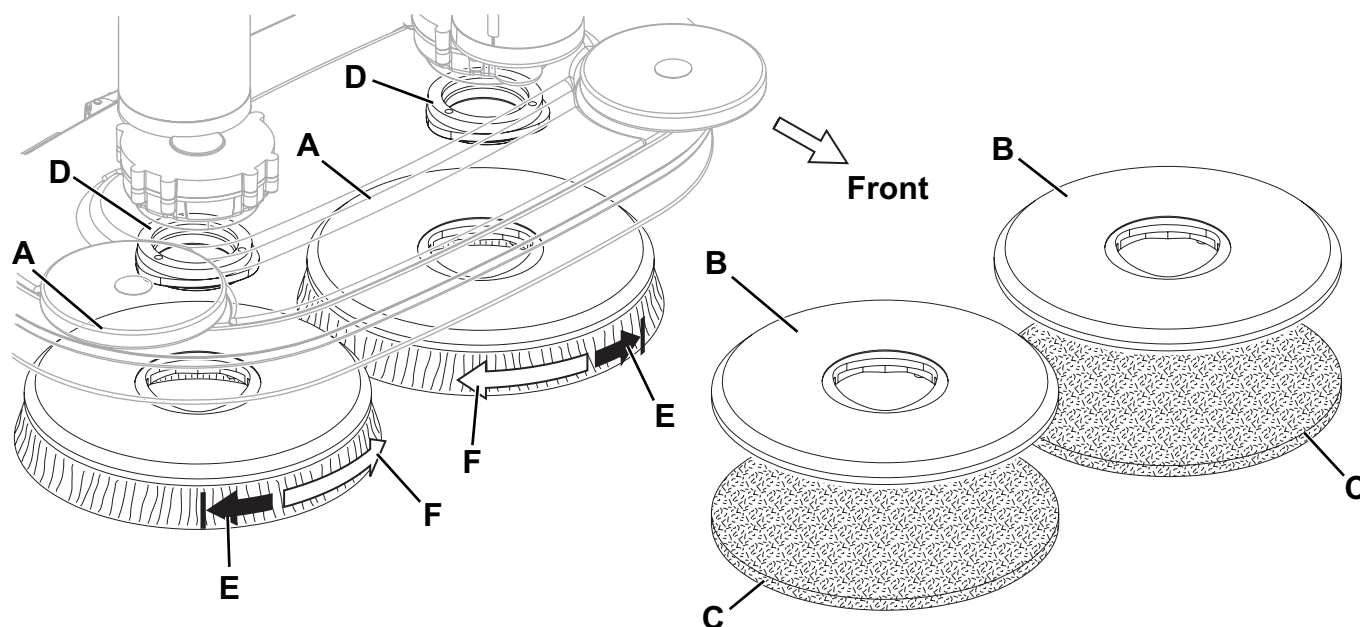


Figure 1

P100362

Types de brosses disponibles et guide pour leur application (suggestions uniquement)

Modèles	MIDLITE GRIT 180	MIDGRIT 240	PROLENE	PROLITE	UNION MIX
Nettoyage général :					
Béton					
Pavage terrasse					
Carreaux de céramique / de carrière					
Marbre					
Carreaux de vinyle					
Carreaux de caoutchouc					
Polissage :					
Carreaux de caoutchouc					
Marbre					
Carreaux de vinyle					

Installation de l'embouchure

1. Installer l'embouchure (30) et la fixer avec les boutons (34), puis connecter le tuyau d'aspiration (31) à l'embouchure.
2. Au moyen du bouton (35) régler l'embouchure de façon que les lamelles en caoutchouc (18) touchent le sol sur toute leur longueur et que la lamelle en caoutchouc avant se trouve légèrement détachée du sol.

Remplissage du réservoir de l'eau de lavage

1. Ouvrir le bouchon (23).
2. Au moyen du tuyau extractible, remplir le réservoir (22) avec de l'eau propre.
Ne jamais remplir complètement le réservoir (22), mais laisser toujours quelques centimètres du bord du bouchon (23).
La température de l'eau ne doit jamais être supérieure à 40 °C.

Remplissage du réservoir EcoFlex de détergent**AVERTISSEMENT !**

Utiliser exclusivement des détergents liquides peu mousseux et non inflammables, adéquats pour les machines en question.

**ATTENTION !**

Pendant l'utilisation de détergents pour le nettoyage des sols, suivre toujours les instructions et les avertissements indiqués sur les étiquettes des flacons.

Avant la manipulation de détergents pour le nettoyage des sols, mettre les gants et les vêtements de protection adéquats.

1. Ouvrir le couvercle (20) et contrôler que le réservoir de l'eau de récupération (19) est vide. Dans le cas contraire, le vider au moyen du tuyau de vidange (23).
2. Fermer le couvercle (20).
3. Soulever le groupe réservoirs (44) avec soin.
4. Dévisser le bouchon du réservoir du détergent (42).
5. Remplir le réservoir avec un détergent adéquat au travail à effectuer (détergent à haute concentration).
Ne jamais remplir complètement le réservoir du détergent, mais laisser toujours quelques centimètres du bord.

**REMARQUE**

Si le réservoir de détergent est vide (en cas d'un système nouveau, d'un système vidé pour effectuer le nettoyage, etc.), pour accélérer le remplissage du tuyau, il peut être bon d'effectuer un ou plusieurs cycles de vidange du système EcoFlex (voir la procédure au chapitre Entretien).

Réglage de la position de l'opérateur

1. Régler la hauteur de l'appui talon (5) pour atteindre une position confortable.

MISE EN MARCHÉ ET ARRÊT DE LA MACHINE

Mise en marche de la machine

1. Préparer la machine comme indiqué au paragraphe précédent.
2. Tourner la clé de contact (58) sur « I » sans appuyer sur la pédale de marche (4). Contrôler si la DEL verte de l'état de charge de la batterie (62) est allumée.
Si la DEL jaune ou rouge s'allume, tourner la clé de contact (58) sur « 0 » et charger les batteries (voir la procédure au chapitre Entretien).
3. Conduire la machine sur le lieu de travail avec les deux mains sur le volant et en appuyant sur la pédale (4).
La vitesse de marche est réglable de 0 à la valeur maximum en appuyant plus fort sur la pédale (4).
4. La marche avant / marche arrière est sélectionnée au moyen du levier correspondant (51) qui se trouve à droite du volant.



REMARQUE

Le siège (17) est équipé d'un capteur de sécurité qui ne permet le mouvement de la machine, à l'aide de la pédale (4), que lorsque l'opérateur est assis.



REMARQUE

La machine est équipée d'un système de sécurité anti-dérapiage [DEL (72) clignotant] qui, si besoin est, réduit la vitesse lors des braquages et en cas de dérapage latéral de la machine, indépendamment de la pression exercée sur la pédale. Cette réduction de la vitesse ne constitue pas un mauvais fonctionnement mais une caractéristique qui augmente la stabilité et la sécurité de la machine en toute condition.

5. Abaisser la tête porte-brosses et l'embouchure en appuyant sur bouton-poussoir One-Touch (67).
6. Appuyer sur les boutons de réglage de débit de la solution (59 et 60) en fonction du type de nettoyage à effectuer.
7. Commencer le travail de nettoyage en manœuvrant le volant (1) et en appuyant sur la pédale (4) pour faire avancer la machine.



REMARQUE

La machine est équipée d'un système de sécurité qui démarre la rotation des brosses et le système d'aspiration seulement si la machine est en marche.

Arrêt de la machine

8. Relâcher la pédale (4).
Il n'est pas nécessaire de bloquer la machine pendant l'arrêt ou le stationnement, puisque le frein électromagnétique sur la roue freine automatiquement la machine quand la pédale de marche n'est pas activée.
9. Soulever la tête porte-brosses et l'embouchure en appuyant sur le bouton-poussoir One-Touch (67).



AVERTISSEMENT !

En cas de nécessité immédiate et pour arrêter instantanément toutes les fonctions de la machine, appuyer sur le bouton-poussoir d'arrêt d'urgence (8) avec force.

Pour restaurer le fonctionnement de la machine, soulever le groupe réservoir eau de récupération (44) et brancher à nouveau le connecteur (9) des batteries.

MACHINE AU TRAVAIL (LAVAGE / SÉCHAGE)

1. Mettre la machine en marche comme prévu au paragraphe précédent.
2. Si besoin est, régler la quantité de solution en appuyant sur les boutons-poussoirs (59 et 60).
3. Pour diminuer le bruit, activer le cas échéant la fonction silencieuse en appuyant sur le bouton-poussoir (55).



REMARQUE

On conseille d'utiliser le mode silencieux seulement sur les sols lisses et sans joints de dalles.



REMARQUE

Pour un lavage / séchage correct du sol près des murs, Advance recommande d'approcher le côté droit de la machine, comme illustré dans la figure 2.

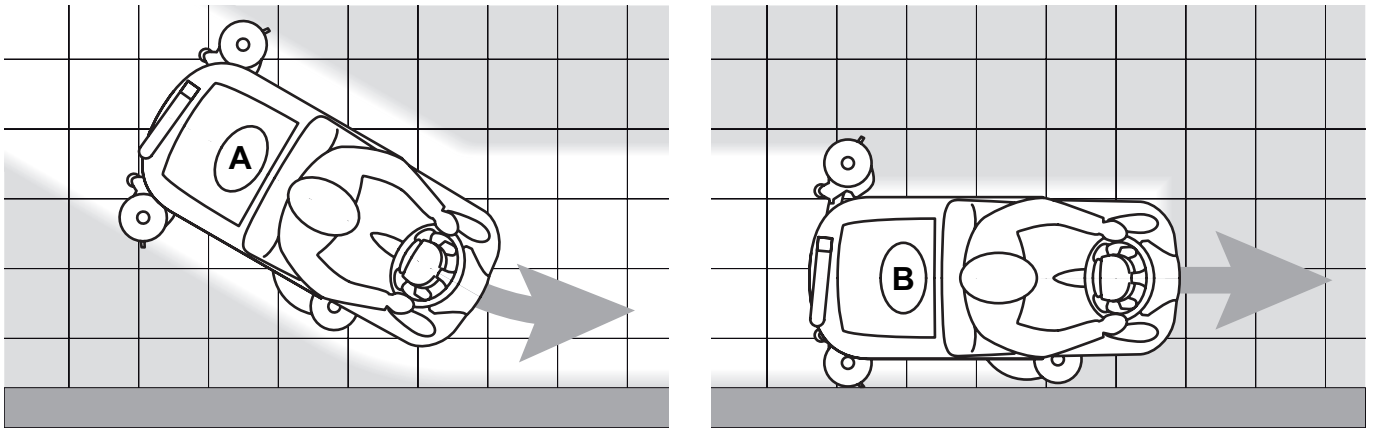


Figure 2

P100364

Réglage de l'embouchure

4. Le cas échéant, arrêter la machine et tourner le bouton d'équilibrage de l'embouchure (35) pour que la lamelle en caoutchouc arrière touche le sol sur toute sa longueur.

Réglage de la concentration de détergent dans la solution

Le système de mélange du détergent à l'eau de lavage peut être activé en poussant sur le bouton de contrôle du débit de détergent (A, Fig. 3) : lorsque la DEL (B) est allumée, le détergent est ajouté à l'eau de lavage.

L'afficheur (C) indique le niveau de concentration de détergent dans la solution comme indiqué dans le tableau dans la figure 3.



REMARQUE

La concentration de détergent dans la solution distribuée par le système correspond toujours au niveau 1. Pour obtenir temporairement une concentration plus élevée, appuyer sur EcoFlex ou désactiver le système EcoFlex (voir le paragraphe correspondant).

Fonction EcoFlex

Soulever le levier EcoFlex (D, Fig. 3) lorsqu'il faut une puissance de lavage supérieure.

En soulevant le levier (D) (DEL (E) clignotante), le flux de solution augmente, la fonction d'extra-pression est activée et la concentration de détergent dans la solution augmente au niveau fixé (si la fonction de mélange de détergent est désactivée, elle s'active automatiquement).

En soulevant à nouveau le levier (D), les réglages initiaux sont rétablis [DEL (E) allumé].



REMARQUE

Dans le cas où on ne soulève pas le levier (D) pour la deuxième fois, les réglages initiaux sont rétablis automatiquement après 60 secondes.

Pour modifier le pourcentage actuel de détergent, procéder comme suit :

1. Désactiver le bouton-poussoir de débit de détergent (A) (la DEL (B) doit être éteinte).
2. Appuyer et maintenir le bouton-poussoir de débit de détergent (A) jusqu'à ce que le DEL (B) clignote.
3. Relâcher le bouton-poussoir (A). Appuyer à nouveau rapidement sur le bouton-poussoir pour passer au niveau successif indiqué par l'afficheur (C), comme sur le tableau de la Figure 3 ; répéter la procédure jusqu'à atteindre le réglage désiré.
4. Attendre que la DEL (B) cesse de clignoter : le nouveau niveau est réglé.



REMARQUE

La configuration du pourcentage de détergent reste mémorisée même après l'arrêt de la machine.

Procédure de désactivation du système EcoFlex

Afin de désactiver temporairement le système, soulever le levier EcoFlex (D, Fig. 3) et le maintenir dans cette position pendant 2 secondes.

Cette procédure terminée, [DEL (D) éteint], le niveau de concentration de détergent est conforme au niveau configuré.

Pour activer le système, soulever à nouveau le levier EcoFlex (D).

Pour désactiver définitivement le système EcoFlex, procéder comme suit :

1. Arrêter le moteur en tournant la clé de contact (58) en position « 0 ».
2. Soulever le levier (D) e le maintenir soulevé, puis tourner la clé de contact (58) en position « I ».
3. Relâcher le levier (D) après 8 secondes minimum du démarrage de la machine.

Cette procédure terminée, le levier EcoFlex n'est plus actif (DEL (E) éteinte) et le niveau de concentration de détergent est conforme au réglage.

Pour activer à nouveau le système, répéter les étapes de 1 à 3.



REMARQUE

La désactivation permanente du système EcoFlex reste en mémoire même après l'arrêt de la machine.

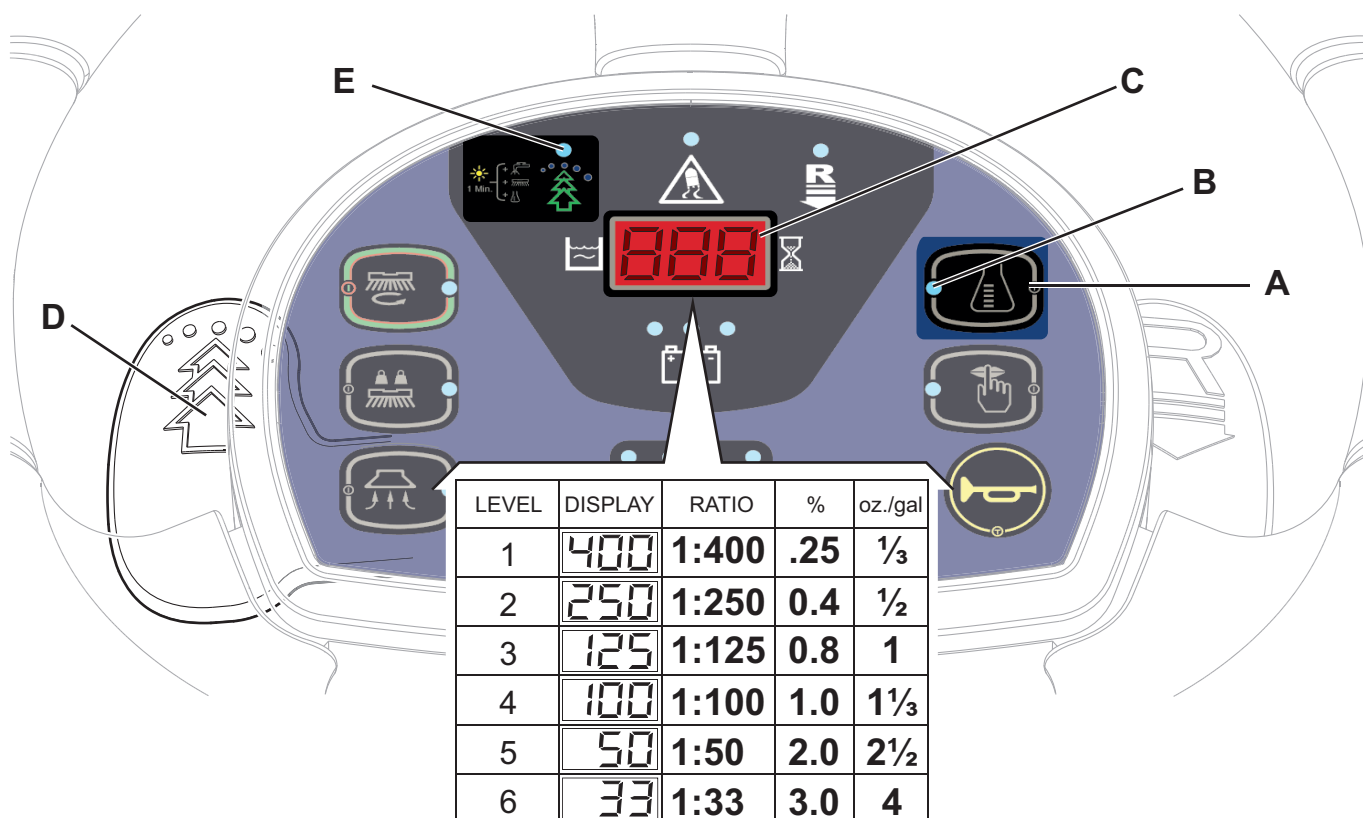


Figure 3

P100365A

Travail avec la fonction d'extra-pression des brosses activée

1. En cas de sol particulièrement sale, il est possible d'augmenter la pression des brosses sur le sol, en poussant sur le bouton-poussoir (65).
2. Pour retourner au travail avec pression normale, appuyer à nouveau sur le bouton (65).
Le bouton (65) est activé lorsque la tête (10) est baissée et la DEL (68) du bouton (67) One-Touch, allumée.



AVERTISSEMENT !

En cas de surcharge du moteur de brosses en raison de corps étrangers entravant leur rotation, ou de sols difficiles/brosses dures, un système de sécurité arrête les brosses/plateaux support disque après un minute environ de surcharge continue.

La condition de surcharge est indiquée par le clignotement simultané des trois DELS de charge de la batterie (62).

Si la surcharge se vérifie pendant le travail avec la fonction d'extra-pression activée, le système réduit automatiquement la pression sur les brosses/plateaux support disque en désactivant la fonction d'extra-pression. Si la surcharge persiste, les brosses / plateaux support disque s'arrêtent.

Pour reprendre le travail après l'arrêt des brosses par surcharge, arrêter la machine en tournant la clé de contact (58) sur « 0 ». Démarrer la machine en tournant la clé de contact (58) en position « I ».

Déchargement des batteries pendant le travail

1. Tant que la DEL verte (62) reste allumée, les batteries permettent le fonctionnement normal de la machine. Lorsque la DEL verte s'éteint et que les DELS jaune et rouge s'allument en séquence, charger les batteries.
 - Lorsque la DEL jaune s'allume, il ne reste que quelques minutes d'autonomie (variables en fonction des caractéristiques de la batterie).
 - Lorsque les DEL rouge s'allument, l'autonomie de la machine est épuisée : après quelques secondes, les brosses/plateaux support disque s'arrêtent automatiquement et la tête se soulève. Seulement le système d'aspiration et le système de traction de la machine restent en fonction, pour permettre d'essuyer des endroits éventuels de sol mouillé et d'amener la machine dans le lieu de rechargement.



AVERTISSEMENT !

Ne pas insister à utiliser la machine avec batteries déchargées, pour ne pas endommager les batteries en réduisant leur vie utile.



REMARQUE

Lorsque il n'est plus possible de déplacer la machine à l'aide du système de traction, consulter le paragraphe Déplacement par poussée / remorquage de la machine.

VIDANGE DES RESERVOIRS

Un système de fermeture automatique à flotteur (27) bloque le système d'aspiration lorsque le réservoir de l'eau de récupération de l'eau (19) est plein.

Le blocage du système d'aspiration peut être détecté grâce à l'augmentation soudaine de la fréquence du bruit du moteur d'aspiration et parce que le sol n'est pas sec.



AVERTISSEMENT !

Si le système d'aspiration s'arrête de façon intempestive (par exemple si le flotteur est actionné par un mouvement soudain de la machine), pour le démarrer, arrêter le système d'aspiration en appuyant sur le bouton-poussoir (63). Ouvrir ensuite le couvercle (20) et vérifier que le flotteur dans la grille (27) est descendu au niveau de l'eau. Enfin, fermer le couvercle (20) et appuyer sur le bouton (63) pour démarrer à nouveau le système d'aspiration.

Lorsque le réservoir de l'eau de récupération (19) est plein, le vider en procédant comme suit.

Vidange du réservoir de l'eau de récupération

1. Arrêter la machine, en relâchant le pédale (4).
2. Soulever la tête porte-brosses et l'embouchure en appuyant sur le bouton-poussoir One-Touch (67).
3. Pousser la machine dans la zone destinée à l'écoulement.
4. Vider le réservoir de l'eau de récupération au moyen du tuyau (24).
5. Extraire le conteneur déchets avec la grille correspondante (26), la vider et la nettoyer à l'eau propre. Le monter à nouveau sur le tuyau d'aspiration dans le réservoir.
6. En fin de travail, rincer le réservoir à l'eau claire.

Vidange du réservoir de l'eau de lavage

7. Exécuter les étapes de 1 à 3 ci-dessus.
8. Retirer l'adaptateur (28) de son logement dans le compartiment de la batterie.
9. Monter l'adaptateur (A, Fig. 4) dans le tuyau d'aspiration (B) de l'embouchure, puis le fixer à la vanne de décharge (C).
10. Positionner la clé de contact (58) sur « I » et démarrer le système d'aspiration au moyen du bouton (63).
11. Ouvrir la vanne de décharge (C) pour vidanger le réservoir (22).
La vanne (C) est ouverte quand elle se trouve dans la position (D) par rapport au robinet ; elle est fermée quand elle se trouve dans la position (E).
12. La procédure terminée, arrêter le système d'aspiration et vider le réservoir de l'eau de récupération (19) avec le tuyau (24).
13. Le travail terminé, fermer la vanne de décharge (C), démonter l'adaptateur (A) et remonter le tuyau d'aspiration (B) sur l'embouchure (30).

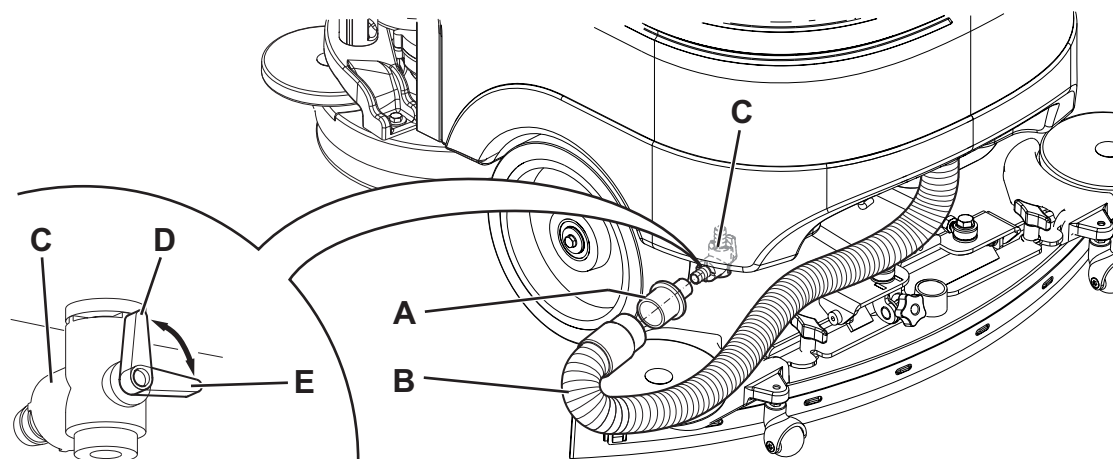


Figure 4

P100366

APRÈS L'UTILISATION DE LA MACHINE

Le travail effectué, avant de laisser la machine :

1. Déposer les brosses / plateaux support disque en procédant comme indiqué au paragraphe spécifique.
2. Vider les réservoirs (19 et 22) comme indiqué au paragraphe précédent.
3. Enlever l'embouchure (30) et le laver à l'eau chaude. Ouvrir le couvercle du réservoir de récupération (20) et attacher l'embouchure au réservoir au moyen du crochet (15) prévu à cet effet.
4. Effectuer les opérations d'entretien prévues après l'utilisation de la machine (voir les paragraphes au chapitre Entretien).
5. Garder la machine dans un endroit sec et propre, avec les brosses plateau support disque et l'embouchure soulevés ou retirés.

MOUVEMENT PAR POUSSÉE/REMORQUAGE DE LA MACHINE

Lorsque il n'est plus possible d'utiliser le système de traction (par exemple pour manque de batteries, batteries excessivement déchargées, etc.), pour déplacer aisément la machine par poussée / remorquage, il est nécessaire de débloquer le frein électromagnétique en tirant le levier (7) et en l'arrêtant au moyen d'un écarteur.

Après avoir déplacé la machine, enlever l'écarteur sous le levier (7) pour activer à nouveau le frein électromagnétique.

**ATTENTION !**

Après avoir déplacé la machine par poussée / remorquage, si le levier (7) n'est pas libéré, le frein électromagnétique de la machine n'est pas activé.

**ATTENTION !**

Ne jamais démarrer la machine avec le levier dans la position de frein électromagnétique débloqué. Pour plus de sécurité, il est conseillé de débloquer le frein électromagnétique seulement pour le temps strictement nécessaire pour déplacer manuellement la machine.

INACTIVITÉ PROLONGÉE DE LA MACHINE

Si la machine n'est pas employée pendant plus de 30 jours, procéder comme suit :

1. Effectuer les opérations prévues au paragraphe Après l'utilisation de la machine.
2. Vider le réservoir de détergent EcoFlex (38) et nettoyer le système avec le cycle de purge (voir la procédure au chapitre Entretien).
3. Fermer le robinet de l'eau de lavage (14).
4. Appuyer sur le bouton-poussoir d'urgence (8) pour débrancher le connecteur des batteries (9).
5. Tenir le groupe réservoir de l'eau de récupération (19) soulevé au moyen du pied de support (25).

ENTRETIEN

La durée de vie de la machine et sa sécurité de fonctionnement sont garanties par un entretien soigné et régulier. Veuillez trouver ci-dessous le plan récapitulatif d'entretien programmé. Les périodicités indiquées peuvent subir des variations en fonction de conditions de travail particulières, à définir par le responsable de l'entretien.



ATTENTION !

Les opérations doivent être effectuées sur une machine éteinte et avec la batterie débranchée. En outre, lire attentivement toutes les instructions au chapitre Sécurité.

Toutes les opérations d'entretien programmé ou extraordinaire doivent être effectuées par du personnel qualifié ou par un Service après-vente agréé.

Ce manuel ne contient que les opérations d'entretien les plus simples et les plus fréquentes.



REMARQUE

Pour les procédures des autres opérations d'entretien prévues par le plan d'entretien programmé et extraordinaire, se référer au manuel d'entretien consultable auprès des Services après-vente.

PLAN D'ENTRETIEN PROGRAMMÉ

Procédure	Quotidienne, après l'utilisation de la machine	Hebdomadaire	Semestrielle	Annuelle
Chargement des batteries				
Nettoyage de l'embouchure				
Nettoyage de la brosse / disque				
Nettoyage des réservoirs, de la grille des déchets, de la grille d'aspiration avec flotteur et contrôle du joint d'étanchéité du couvercle				
Nettoyage et vidange du système EcoFlex				
Contrôle et remplacement des lamelles en caoutchouc de l'embouchure				
Nettoyage du filtre de la solution				
Nettoyage du filtre du moteur du système d'aspiration				
Contrôle du niveau du liquide des batteries (WET)				
Nettoyage de la poussière autour de chaque moteur				
Contrôle de l'efficacité du frein électromagnétique			(1)	
Contrôle ou remplacement des charbons du moteur de brosses				(1)
Contrôle ou remplacement des charbons du moteur du système d'aspiration				(1)
Contrôle ou remplacement des charbons du moteur du système de traction				(1)

(1) Cette opération d'entretien doit être confiée à un service après vente agréé Advance.

CONTROLE DES HEURES DE TRAVAIL DE LA MACHINE

1. Introduire la clé de contact (58) et la tourner sur « I ».
2. Pendant les 2 premières secondes de fonctionnement de la machine, l'écran (71) affiche le nombre total d'heures de travail (lavage/séchage) effectué par la machine.
Tourner la clé de contact (58) sur « 0 ».

CHARGEMENT DES BATTERIES

**REMARQUE**

Charger les batteries lorsque la DEL jaune ou rouge (62) s'allume, ou à la fin d'un cycle de travail.
Garder les batteries chargées afin de prolonger leur vie utile.

**AVERTISSEMENT !**

Lorsque les batteries sont déchargées, les recharger dès que possible, afin de ne pas réduire leur durée de vie utile.

Contrôler la charge des batteries au moins une fois par semaine.

**ATTENTION !**

Si des batteries au plomb (WET) sont installées dans la machine, le chargement des batteries produit un gaz hydrogène très explosif. Soulever le réservoir de l'eau de récupération pendant le cycle de rechargement des batteries et effectuer cette opération dans un endroit bien aéré et loin de flammes libres.

Ne pas fumer pendant le chargement des batteries.

Garder le groupe réservoir ouvert ou soulevé au moyen du pied de support (25) pendant tout le cycle de rechargement des batteries.

**ATTENTION !**

Pendant le rechargement des batteries au plomb (WET), faire attention à d'éventuelles pertes de liquide des batteries. Ce liquide est très corrosif. En cas de contact avec les yeux ou la peau, rincer abondamment à l'eau et consulter un médecin.

Opérations préalables

1. Porter la machine dans la zone destinée au chargement des batteries.
2. S'assurer que la machine est éteinte et que la clé de contact (58) a été retirée.
3. Ouvrir le couvercle (20) et contrôler si le réservoir (19) est vide ; dans le cas contraire, le vider au moyen du tuyau de vidange (24).
4. Fermer le couvercle (20).
5. Soulever le groupe réservoirs (44) avec soin.
6. (Exclusivement pour batteries WET) Contrôler le niveau de l'électrolyte dans les batteries (39). Si besoin est, dévisser les bouchons (40) et remplir.
Lorsque le niveau est atteint, fermer les bouchons (40) et nettoyer au besoin la surface supérieure des batteries.

Chargement des batteries

7. Brancher le câble (41) du chargeur de batterie au réseau électrique (la tension et la fréquence de réseau doivent coïncider avec les valeurs correspondantes du chargeur de batterie, indiquées sur la plaque avec numéro de série de la machine).

**REMARQUE**

Lorsque le dispositif d'alimentation du chargeur de batterie est branché au réseau électrique, toutes les fonctions de la machine sont automatiquement exclues.

Lorsque la DEL rouge s'allume (62) fixement, cela indique que le chargeur de batterie charge les batteries.

Lorsque la DEL Jaune s'allume (62) fixement, cela indique que le chargeur achève le chargement de la batterie.

Lorsque la DEL verte s'allume, le cycle de chargement des batteries est terminé.

8. Débrancher le câble (41) du chargeur de batterie du réseau électrique et l'enrouler autour de son logement derrière le chargeur de batterie.
9. Baisser le groupe réservoirs (44) avec soin.
10. La machine est prête à être utilisée.

**REMARQUE**

Pour de plus amples informations sur le fonctionnement du chargeur de batterie (16), consulter le manuel spécifique.

NETTOYAGE DE L'EMBOUCHURE



REMARQUE

Pour un bon séchage, l'embouchure doit être propre et les lamelles en caoutchouc doivent être en bon état.



AVERTISSEMENT !

Lors du nettoyage de l'embouchure, il est conseillé de porter des gants de protection à cause de la présence éventuelle de débris tranchants.

1. Porter la machine sur un sol plat.
2. Introduire la clé de contact (58) et la tourner sur « I ».
3. Baisser l'embouchure (30) en appuyant sur le bouton-poussoir (63).
4. Tourner la clé de contact (58) sur « 0 ».
5. Déconnecter le tuyau d'aspiration (31) de l'embouchure.
6. Desserrer les boutons (34) et déposer l'embouchure (30).
7. Laver et nettoyer l'embouchure. Nettoyer en particulier les compartiments (A, Fig. 6) et l'orifice (B) de la saleté et des débris. Contrôler si la lamelle en caoutchouc avant (C) et la lamelle en caoutchouc arrière (D) sont intactes et qu'elles ne présentent pas de coupures ou déchirures ; en cas contraire, les remplacer selon les instructions suivantes.
8. Pour la repose, procéder dans l'ordre inverse de la dépose.

CONTRÔLE ET REMPLACEMENT DES LAMELLES EN CAOUTCHOUC DE L'EMBOUCHURE

1. Nettoyer l'embouchure (Fig. 6) tel qu'indiqué au paragraphe précédent.
2. Contrôler que le bord (E) de la lamelle en caoutchouc avant (C) et le bord (F) de la lamelle en caoutchouc arrière (D) se posent simultanément sur le marbre de contrôle, et en toute leur longueur ; dans le cas contraire, régler leur hauteur en procédant selon les instructions suivantes :
 - Décrocher le tirant (G), décrocher le dispositif de retenue (M) et régler la lamelle en caoutchouc arrière (D), puis accrocher le dispositif de retenue et fixer avec le tirant.
 - Desserrer les boutons (I) et régler la lamelle en caoutchouc avant (C), puis serrer les boutons.
3. Contrôler que la lamelle en caoutchouc avant (C) et la lamelle en caoutchouc arrière (D) sont intactes et qu'elles ne présentent pas de coupures ou déchirures ; si tel n'est pas le cas, les remplacer en procédant comme suit. Contrôler que l'arête (J) de la lamelle en caoutchouc arrière n'est pas usée ; dans le cas contraire, retourner la lamelle en caoutchouc, en remplaçant l'arête usée par une arête intacte. Si toutes les arêtes sont usées, remplacer la lamelle en caoutchouc en procédant comme suit :
 - Dégager le tirant (G), décrocher du dispositif de retenue (M) et déposer la bande de retenue (K), puis remplacer / tourner la lamelle en caoutchouc arrière (D).
 - Pour la repose, procéder dans l'ordre inverse de la dépose.
 - Dévisser les boutons (I) et enlever la bande de retenue (L), puis remplacer la lamelle en caoutchouc avant (C).
 - Pour la repose, procéder dans l'ordre inverse de la dépose.

Après le remplacement (ou renversement) des lamelles en caoutchouc, régler la hauteur tel qu'indiqué au point précédent.

4. Connecter le tuyau d'aspiration (31) à l'embouchure.
5. Installer l'embouchure (30) et serrer les volants (34).
6. Si besoin est, régler le bouton de réglage (35) de l'équilibrage de l'embouchure.

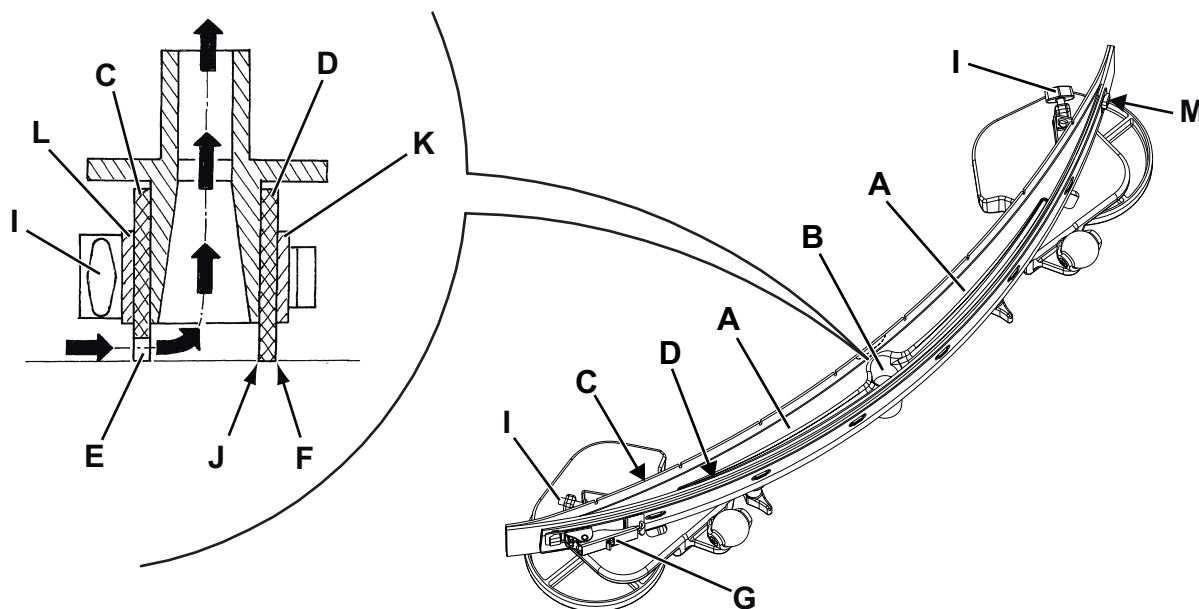


Figure 5

P100367

NETTOYAGE DES BROSSES



AVERTISSEMENT !

Lors du nettoyage des brosses, il est conseillé de porter des gants de protection à cause de la présence éventuelle de débris tranchants.

1. Déposer les brosses de la machine tel qu'indiqué au chapitre Utilisation.
2. Nettoyer et laver les brosses avec de l'eau et du détergent.
3. Contrôler les soies de la brosse pour voir si elles sont en bon état et pas trop usées ; dans le cas contraire, remplacer les brosses.

NETTOYAGE DU RÉSERVOIR DE L'EAU DE RÉCUPÉRATION

1. Pousser la machine dans la zone destinée à l'écoulement.
2. Tourner la clé de contact (58) sur « 0 ».
3. Ouvrir le couvercle (20).
4. Nettoyer et laver à l'eau propre le couvercle (20) et le réservoir (19).
Vider l'eau du réservoir avec le tuyau (24).
5. Nettoyer la grille d'aspiration (27), relâcher les dispositifs de retenue (A, Fig. 6), ouvrir la grille (B), récupérer le flotteur (C) puis nettoyer soigneusement et remettre en place.
6. Nettoyer le conteneur déchets avec la grille correspondante (26), démonter le conteneur (G), enlever le couvercle (H), puis nettoyer avec soin et installer à nouveau sur le tuyau d'aspiration.
7. Contrôler l'intégrité du joint d'étanchéité (D) du couvercle du réservoir.



REMARQUE

Le joint d'étanchéité (D) permet la création d'une dépression dans le réservoir, qui est nécessaire à l'aspiration de l'eau de récupération.

Si besoin est, déposer le joint d'étanchéité (D) de son logement (E) et le remplacer. Lors de la repose du nouveau joint d'étanchéité, positionner le raccord (F) dans la zone inférieure indiquée dans la figure.

8. Contrôler aussi l'intégrité, l'efficacité et la propreté de la surface d'appui (I) du joint d'étanchéité (D).
9. Fermer le couvercle (20).

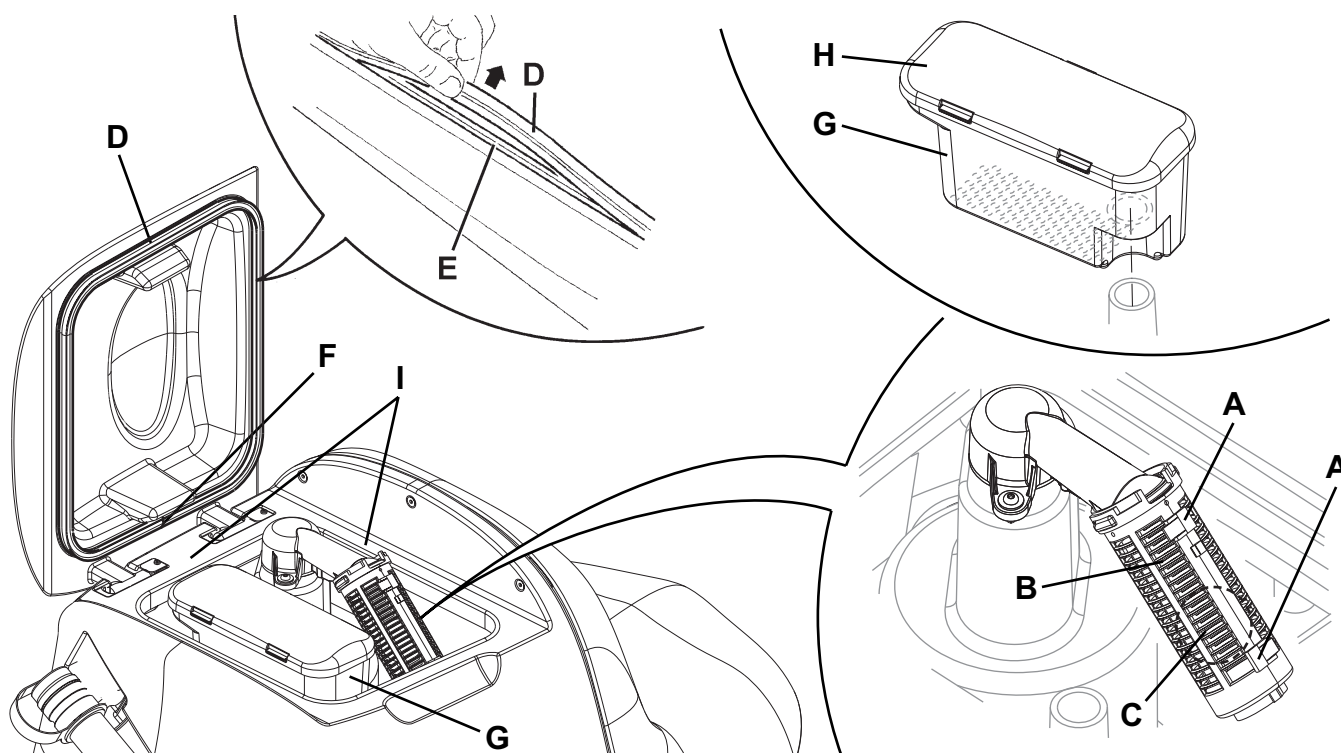


Figure 6

P100368

NETTOYAGE DU FILTRE DU MOTEUR DU SYSTÈME D'ASPIRATION

1. Porter la machine sur un sol plat.
2. Tourner la clé de contact (58) sur « 0 ».
3. Ouvrir le couvercle (20) et contrôler que le réservoir de l'eau de récupération (19) est vide. Dans le cas contraire, le vider au moyen du tuyau de vidange (24).
4. Fermer le couvercle (20).
5. Soulever le groupe réservoirs (44) avec soin.
6. Contrôler que le filtre (37) est propre. Si besoin est, le nettoyer à l'eau et à l'air comprimé, puis l'installer à nouveau.

NETTOYAGE DU FILTRE DE LA SOLUTION

1. Porter la machine sur un sol plat.
2. Tourner la clé de contact (58) sur « 0 ».
3. Fermer la vanne de la solution (A, Fig. 7) sous la machine, derrière la roue arrière droite. Le robinet (A) est fermé quand il se trouve dans la position (B) par rapport aux tuyaux ; il est ouvert quand il se trouve dans la position (C).
4. Enlever le petit glas transparent (D), récupérer le joint (E), puis enlever le filet filtrant (F) sous la machine, devant la roue arrière droite. Les nettoyer à l'eau et les reposer dans le support (G).



REMARQUE

Positionner correctement le filet filtrant (F) dans le logement du support (G).

5. Ouvrir le robinet (A).

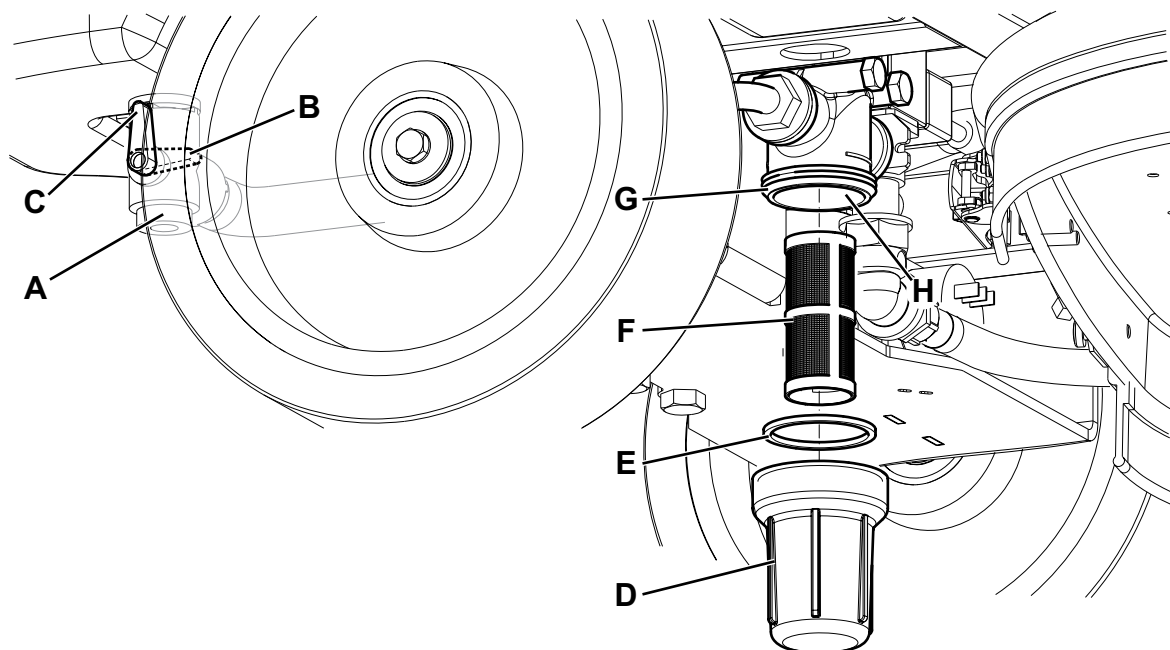


Figure 7

P100370

NETTOYAGE DU COMPARTIMENT DE BATTERIE

Nettoyer tout liquide du bas du compartiment de batterie (A, Fig. 8).

1. Pousser la machine dans la zone destinée à l'écoulement.
2. Ouvrir la vanne (B) sous le réservoir de solution et vider le liquide du bas du compartiment de la batterie.

NETTOYAGE DU RESERVOIR DU DETERGENT

Nettoyer le réservoir du détergent (42) en procédant comme suit :

1. Pousser la machine dans la zone destinée à l'écoulement.
2. Ouvrir le couvercle (20) et contrôler que le réservoir de l'eau de récupération (19) est vide. Dans le cas contraire, le vider au moyen du tuyau de vidange (24). Fermer le couvercle (20).
3. Soulever le groupe réservoirs (44) avec soin.
4. Dévisser le bouchon et déconnecter le tuyau (A, Fig. 9) du réservoir (B).
5. Retirer le réservoir.
6. Laver et nettoyer le réservoir dans la zone destinée à l'écoulement.
7. Reposer le réservoir (42) dans son logement comme indiqué dans la figure et le connecter au tuyau (A).
8. Après la vidange du réservoir du détergent, il pourrait être nécessaire de vidanger le système EcoFlex (voir la procédure au paragraphe suivant).

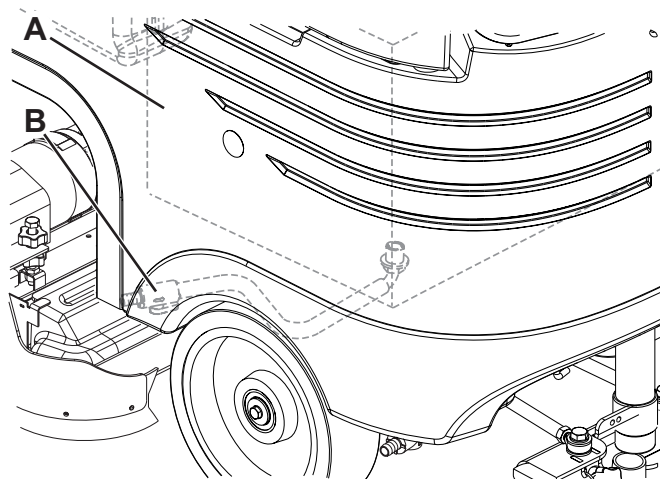


Figure 8

P100371

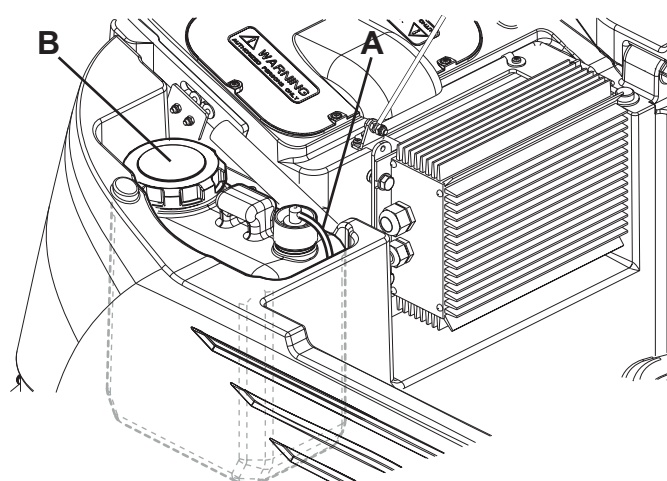


Figure 9

P100371

VIDANGE DU SYSTÈME ECOFLEX

Nettoyer le réservoir du détergent en procédant comme indiqué au paragraphe précédent. Pour éliminer toute trace de détergent dans les tuyaux et dans la pompe de détergent, procéder comme suit.

1. Démarrer la machine en tournant la clé de contact (58) en position « I ».
2. Appuyer sur la touche (53). Contrôler que le DEL du bouton (54) s'allume.
3. Appuyer en même temps sur les boutons (53 et 59) jusqu'à que la DEL du bouton (54) commence à clignoter (après 5 secondes environ).
4. Relâcher les boutons et attendre que la DEL (54) cesse de clignoter et que le système d'aspiration se mette en marche.
5. Aspirer les traces de détergent sur le sol.
6. Tourner la clé de contact (58) sur « 0 ».
7. Soulever le réservoir (19), puis contrôler que le tuyau du réservoir de détergent (42) est vide ; dans le cas contraire, répéter les étapes de 2 à 6.



REMARQUE

Le cycle de purge, qui permet d'éliminer les traces de détergent, dure 30 secondes environ, ensuite la fonction d'aspiration s'enclenche automatiquement.

L'opération de vidange peut être effectuée même avec le réservoir du détergent (42) plein d'eau ; de cette façon on effectue un lavage à fond du système.

Il est convenable d'effectuer ce type de vidange lorsque le système EcoFlex est très sale / incrusté après de longues périodes d'inactivité / d'absence de nettoyage de la machine.

L'opération de vidange peut être effectuée aussi pour accélérer le remplissage du tuyau d'alimentation du détergent avec le conteneur (42) plein et le système encore vide.

Le cas échéant, le cycle de vidange peut être répété.

CONTRÔLE / REMPLACEMENT DES FUSIBLES



REMARQUE

Tous les circuits électriques de la machine sont protégés par des dispositifs électroniques à restaurer automatiquement. Les fusibles de sécurité agissent seulement en cas de pannes graves.

Par conséquent, on conseille de contacter le personnel qualifié pour l'éventuel remplacement des fusibles. Se référer au manuel d'entretien consultable auprès des revendeurs Advance.

FONCTIONS DE SÉCURITÉ

La machine est équipée des fonctions de sécurité suivantes.

BOUTON-POUSSOIR D'URGENCE

Il est placé dans une position (8) facilement accessible par l'opérateur. Il doit être appuyé avec force en cas de nécessité immédiate, pour arrêter toutes les fonctions de la machine.

Pour restaurer le fonctionnement de la machine, soulever le groupe réservoirs (44) et brancher à nouveau le connecteur (9) des batteries.

SYSTÈME DE SÉCURITÉ ANTI-DÉRAPAGE

Si besoin est, il réduit la vitesse lors des braquages et en cas de dérapage latéral de la machine à une valeur de sécurité, pour éviter toute dérapage soudain et augmenter la stabilité de la machine en toute condition.



MICRO-INTERRUPTEUR DU SIÈGE CONDUCTEUR

Il est placé à l'intérieur du siège conducteur et il ne permet pas le fonctionnement du système de traction de la machine si l'opérateur n'est pas assis sur son siège.

FREIN ÉLECTROMAGNÉTIQUE

Il est intégré dans la roue avant et empêche le déplacement de la machine quand elle n'est pas démarrée et, de toute façon, lorsqu'elle est à l'arrêt.

DÉPISTAGE DES PANNES

PROBLÈME	CAUSE POSSIBLE	SOLUTION
Les moteurs ne fonctionnent pas ; aucune DEL ne s'allume.	Le connecteur de la batterie est débranché.	Brancher.
	Batteries déchargées.	Charger les batteries.
La machine ne bouge pas et l'afficheur (71) visualise le code d'erreur : 	La machine a été mise en marche avec la clé de contact, en appuyant sur la pédale.	Relâcher la pédale de marche. Si le problème persiste, contacter un service après-vente agréé.
Lors de la mise en marche de la machine, la DEL (68) du bouton-poussoir One-Touch (67) clignote et les brosses ne tournent pas.	La machine a été arrêtée sans soulever la tête porte-brosses.	Attendre le soulèvement de la tête avant d'actionner à nouveau les brosses en appuyant sur le bouton-poussoir.
Les brosses ne tournent pas ; la DEL rouge clignote.	Batteries déchargées.	Charger les batteries.
Les 3 DELS (62) clignotent simultanément.	Surcharge des moteurs de brosses.	Utiliser des brosses moins dures ou de type différent, ou ne pas travailler avec la fonction d'extra-pression activée.
	Présence de corps étrangers (fils entortillés, etc.) qui risquent de freiner la rotation des brosses.	Nettoyer les moyeux de brosses.
L'afficheur (71) visualise un code d'erreur du type suivant :  où « 00 » est remplacé par un code différent de « t4 ».	Condition d'alarme du système électronique de contrôle de la machine.	Arrêter et démarrer à nouveau la machine. Si le problème persiste, contacter un service après-vente agréé.

PROBLÈME	CAUSE POSSIBLE	SOLUTION
L'aspiration de l'eau sale est insuffisante.	Réservoir d'eau de récupération plein.	Vider le réservoir.
	La grille d'aspiration est obstruée ou le flotteur est en position fermée.	Nettoyer la grille d'aspiration.
	La cuve à déchets avec la grille correspondante est colmatée.	Nettoyer.
	Le tuyau flexible est débranché de l'embouchure	Brancher.
	Embouchure sale ou lamelles en caoutchouc d'embouchure usées / endommagées.	Nettoyer l'embouchure ou tourner / remplacer les lamelles en caoutchouc.
	Le couvercle du réservoir n'est pas bien fermé ou le joint est usé.	Fermer correctement le couvercle ou nettoyer / remplacer le joint.
Le débit de solution détergente aux brosses est insuffisant.	Le réservoir de solution est vide.	Remplir.
	Le filtre de la solution est sale	Nettoyer le filtre.
	Réservoir du système EcoFlex sale / incrusté.	Nettoyer avec le cycle de vidange.
Traces laissées par l'embouchure.	Débris sous les lamelles en caoutchouc de l'embouchure.	Enlever les débris.
	Lamelles en caoutchouc des embouchures usées, ébréchées ou déchirées.	Tourner ou remplacer les lamelles en caoutchouc.
	L'embouchure n'a pas été équilibrée au moyen du bouton de réglage.	Régler l'embouchure.

**REMARQUE**

La machine ne peut pas fonctionner sans le chargeur de batterie.

En cas de panne du chargeur de batterie, s'adresser à un Service après-vente agréé.

Pour de plus amples informations, contacter les Services après-vente Advance.

MISE À LA FERRAILLE

Effectuer la mise à la ferraille de la machine auprès d'un démolisseur autorisé.

Avant d'effectuer la mise à la ferraille de la machine il est nécessaire de déposer et séparer les éléments suivants et les envoyer aux collectes sélectives, conformément aux normes d'hygiène de l'environnement en vigueur :

- Batteries
- Brosses
- Tuyaux et pièces en matériel plastique
- Parties électriques et électroniques (*)

(*) Notamment pour la mise en décharge des parties électriques et électroniques, s'adresser auprès du centre Advance le plus proche.

Composition du matériel de la machine et recyclage

Type	% recyclable	Pourcentage de poids de la machine
Aluminium	100 %	9 %
Moteurs électriques - divers	29 %	18 %
Matériaux en fer	100 %	42 %
Câbles	80 %	3 %
Liquides	100 %	0 %
Plastique - non recyclable	0 %	3 %
Plastique - recyclable	100 %	1 %
Polyéthylène	92 %	23 %
Caoutchouc	20 %	1 %

ÍNDICE

INTRODUÇÃO	2
OBJETIVO E CONTEÚDO DO MANUAL	2
DESTINATÁRIOS	2
CONSERVAÇÃO DO MANUAL	2
DADOS DE IDENTIFICAÇÃO	2
OUTROS MANUAIS DE REFERÊNCIA	2
PEÇAS DE SUBSTITUIÇÃO E MANUTENÇÃO	2
MODIFICAÇÕES E MELHORIAS	2
CAPACIDADE DE OPERAÇÃO	2
CONVENÇÕES	2
DESEMBALAGEM/ENTREGA	3
SEGURANÇA	3
SÍMBOLOS VISÍVEIS NA MÁQUINA	3
SÍMBOLOS UTILIZADOS NO MANUAL	4
INSTRUÇÕES GERAIS	4
DESCRIÇÃO DA MÁQUINA	6
ESTRUTURA DA MÁQUINA	6
VOLANTE COM PAINEL DE CONTROLO E COMANDOS	8
ACESSÓRIOS / OPCIONAIS	9
CARACTERÍSTICAS TÉCNICAS	9
DIAGRAMA ELÉTRICO	10
UTILIZAÇÃO/FUNIONAMENTO	12
CONTROLO/PREPARAÇÃO DAS BATERIAS NUMA MÁQUINA NOVA	12
INSTALAÇÃO DAS BATERIAS E DEFINIÇÃO DO TIPO DE BATERIAS (WET OU GEL/AGM)	13
ANTES DO ARRANQUE	14
ARRANQUE E PARAGEM DA MÁQUINA	16
MÁQUINA EM OPERAÇÃO (LAVAGEM/SECAGEM)	17
ESVAZIAMENTO RESERVATÓRIOS	19
APÓS A UTILIZAÇÃO DA MÁQUINA	20
MOVIMENTO DE EMPURRAR/PUXAR A MÁQUINA	20
MANUTENÇÃO	21
PLANO DE MANUTENÇÃO PROGRAMADA	21
CONTROLO DAS HORAS DE TRABALHO DA MÁQUINA	21
CARREGAMENTO DAS BATERIAS	22
LIMPEZA DO LIMPADOR	23
CONTROLO E SUBSTITUIÇÃO DAS BORRACHAS DO LIMPADOR	23
LIMPEZA DAS ESCOVAS	24
LIMPEZA DO RESERVATÓRIO DA ÁGUA DE RECUPERAÇÃO	24
LIMPEZA DO FILTRO DO MOTOR DO SISTEMA DE ASPIRAÇÃO	25
LIMPEZA DO FILTRO DA SOLUÇÃO DETERGENTE	25
LIMPEZA DO COMPARTIMENTO DA BATERIA	26
LIMPEZA DO BIDÃO DO DETERGENTE	26
PURGA DO SISTEMA ECOFLEX	26
CONTROLO/SUBSTITUIÇÃO DOS FUSÍVEIS	27
FUNÇÕES DE SEGURANÇA	27
BOTÃO DE EMERGÊNCIA	27
SISTEMA DE SEGURANÇA ANTIPATINAGEM	27
MICROINTERRUPTOR DO ASSENTO DO CONDUTOR	27
TRAVÃO ELETROMAGNÉTICO	27
RESOLUÇÃO DE PROBLEMAS	27
FIM DE VIDA	28

INTRODUÇÃO



NOTA

Os números indicados entre parêntesis referem-se aos componentes ilustrados no capítulo Descrição da máquina.

OBJETIVO E CONTEÚDO DO MANUAL

Este manual tem como objetivo fornecer ao operador todas as informações necessárias de modo que este esteja preparado para utilizar a máquina da maneira mais adequada, autónoma e segura possível. O manual compreende informações inerentes à parte técnica, à segurança, ao funcionamento, à paragem da máquina, à manutenção, às peças de substituição e ao fim de vida. Antes de efetuar qualquer operação na máquina, os operadores e os técnicos qualificados devem ler cuidadosamente as instruções contidas no presente Manual. Em caso de dúvidas sobre a correta interpretação das instruções, contacte a Advance para obter os esclarecimentos necessários.

DESTINATÁRIOS

O presente Manual destina-se quer aos operadores, quer aos técnicos qualificados de manutenção da máquina. Os operadores não devem executar intervenções reservadas aos técnicos qualificados. Advance não se responsabiliza por danos resultantes do não cumprimento desta proibição.

CONSERVAÇÃO DO MANUAL

O Manual de instruções de uso e manutenção deve ser guardado próximo da máquina, dentro do seu estojo, protegido de líquidos e tudo mais que possa deteriorar o seu estado de legibilidade.

DADOS DE IDENTIFICAÇÃO

O número de série e o modelo da sua máquina estão marcados na placa (21) na coluna de direcção.

Na mesma placa estão indicados também o ano de produção (Date code: 18, significa janeiro de 2018) e os códigos do produto são marcados na mesma placa.

Estas informações são necessárias quando são encomendadas peças de substituição da máquina. Utilize o espaço seguinte para anotar os dados de identificação da máquina.

Modelo
Número do modelo
Número de matrícula

OUTROS MANUAIS DE REFERÊNCIA

– Manual do carregador de baterias electrónico (deve ser considerado parte integrante do presente manual)

Além disso, encontram-se disponíveis os seguintes manuais:

- Manual de assistência (pode ser consultado apenas pelos técnicos qualificados nos Centros de Assistência Advance)
- Catálogo das peças de substituição (fornecido com a máquina)

PEÇAS DE SUBSTITUIÇÃO E MANUTENÇÃO

Em caso de necessidade relativa à utilização, à manutenção e à reparação, consulte o pessoal qualificado ou diretamente os Centros de assistência Advance. Utilize sempre peças de substituição e acessórios originais.

Para assistência e para encomendar peças de substituição ou acessórios, contacte a Advance, especificando sempre o modelo e o número de série.

MODIFICAÇÕES E MELHORIAS

A Advance procura constantemente aperfeiçoar os produtos e reserva-se o direito de efetuar modificações e melhorias, quando necessário, sem a obrigação de modificar as máquinas vendidas anteriormente.

Fica estipulado que qualquer modificação e/ou acréscimo de acessórios deve ser explicitamente aprovada e realizada pela Advance.

CAPACIDADE DE OPERAÇÃO

A presente máquina de lavar e secar foi concebida e fabricada para a limpeza (lavagem e secagem) de pisos lisos e sólidos, em espaços comerciais e industriais, em condições de comprovada segurança, por parte de um operador qualificado.

A máquina de lavar e secar não é adequada para a lavagem de moquetas ou carpetes.

CONVENÇÕES

Todas as referências de para a frente e para trás, dianteiro e traseiro, direito e esquerdo indicadas neste Manual devem ser consideradas como se referindo ao operador sentado na posição de condução no assento (17).

DESEMBALAGEM/ENTREGA

Para desembalar a máquina, siga atentamente as instruções presentes na embalagem.

Para deslocar manualmente a máquina, consulte o parágrafo Movimentar a máquina empurrando/puxando.

Quando a máquina for entregue, verifique cuidadosamente se a embalagem e a máquina não tenham sofrido danos durante o transporte. Se notar qualquer dano, guarde a embalagem para que possa ser vista por parte do transportador responsável pela entrega. Contacte imediatamente a empresa de entregas para preencher um pedido de indemnização pelos danos.

Verifique que o fornecimento da máquina corresponde à seguinte lista:

- Documentação técnica:
 - Manual de instruções de uso da máquina de lavar e secar
 - Manual do carregador de baterias electrónico
 - Catálogo das peças de substituição da máquina de lavar e secar
- N.º 2 fusíveis lamelares
- N.º 2 espaçadores para alojamento da bateria de 6 V



AVISO!

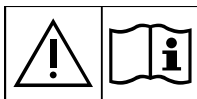
Os produtos vendidos com este Manual contêm produtos químicos que são considerados por alguns governos (como o Estado da Califórnia, conforme identificado na respetiva Proposta 65 de Lei de Advertência Regulamentar) como causadores de cancro, defeitos de nascença ou outros problemas reprodutivos. Em determinados locais (incluindo o Estado da Califórnia), os compradores destes produtos que os colocam em serviço num local de trabalho ou num espaço de acesso público devem, por lei, fazer determinados avisos, advertências ou divulgações no que diz respeito aos produtos químicos que existem ou possam existir nos Produtos em tais locais de trabalho. É da responsabilidade do comprador conhecer o conteúdo e respeitar qualquer lei e regulamento relativos à utilização destes Produtos em tais ambientes. O Fabricante rejeita qualquer responsabilidade de comunicação aos compradores de quaisquer requisitos específicos que possam ser aplicáveis à utilização dos Produtos em tais ambientes.

SEGURANÇA

Utiliza-se os símbolos abaixo para sinalizar potenciais situações de perigo. Leia sempre estas informações com atenção e tome as devidas precauções para proteger as pessoas e os objetos.

A colaboração do operador é essencial para evitar acidentes. Nenhum programa de prevenção de acidentes pode ser eficaz sem a total colaboração da pessoa diretamente responsável pelo funcionamento da máquina. A maioria dos acidentes, que podem ocorrer numa fábrica, no trabalho ou nas deslocações, resultam do incumprimento das mais elementares normas de segurança.

SÍMBOLOS VISÍVEIS NA MÁQUINA



AVISO!

Leia atentamente todas as instruções antes de executar qualquer operação na máquina.



AVISO!

Não lave a máquina com jatos de água diretos ou sob pressão.



AVISO!

Não utilize a máquina em superfícies cujo gradiente seja superior àquele indicado na máquina.

SÍMBOLOS UTILIZADOS NO MANUAL

**PERIGO!**

Indica um perigo com risco, até mortal, para o operador.

**AVISO!**

Indica um risco potencial de acidente para as pessoas ou de danos para os objetos.

**ADVERTÊNCIA!**

Indica uma advertência ou uma nota sobre funções chave ou sobre funções úteis. Preste a máxima atenção aos blocos de texto indicados com esse símbolo.

**NOTA**

Indica uma nota sobre funções chave ou sobre funções úteis.

**CONSULTA**

Indica a necessidade de consultar as Instruções de uso antes de executar qualquer operação.

INSTRUÇÕES GERAIS

Encontram-se descritas a seguir advertências e atenções específicas para alertar para os potenciais perigos de danos à máquina e às pessoas.

**PERIGO!**

- *Antes de executar qualquer operação de limpeza, manutenção, substituição de peças ou conversão noutras funções, o conector da bateria deve ser desligado e a chave do interruptor geral (ou de ignição) deve ser removida.*
- *Esta máquina deve ser utilizada apenas por pessoas que tenham tido formação apropriada.*
- *Quando estiver a trabalhar próximo de componentes eléctricos, tire todas as jóias.*
- *Não trabalhe sob a máquina levantada, sem os suportes de elevação fixos de segurança adequados.*
- *Não opere com esta máquina em espaços onde estejam presentes poeiras, líquidos ou vapores nocivos, perigosos, inflamáveis e/ou explosivos: Esta máquina não é adequada para recolher poeira perigosa.*
- *A máquina está equipada com baterias de chumbo (WET), mantenha faíscas, chamas e materiais incandescentes afastados das baterias. Gases explosivos são expelidos durante o uso normal.*
- *Se a máquina estiver equipada com baterias de chumbo (WET), durante o carregamento é produzido gás hidrogénio altamente explosivo. Levante o reservatório de água de recuperação durante todo o ciclo de recarga das baterias e efetue a operação apenas em áreas bem ventiladas e longe de chamas livres.*

**AVISO!**

- *Antes de efetuar qualquer intervenção de manutenção/reparação, leia cuidadosamente todas as instruções relativas à manutenção/reparação.*
- *Antes de utilizar o carregador de bateria, certifique-se de que a frequência e a tensão indicadas na placa do número de série da máquina correspondem à tensão da rede.*
- *Não utilize o cabo do carregador de bateria para tirar ou transportar a máquina, nem o utilize como se fosse uma pega. Não deixe que o cabo do carregador de baterias seja preso numa porta, nem o puxe em superfície ou ângulos afiados. Não passe com a máquina por cima do cabo do carregador de baterias.*
- *Mantenha o cabo do carregador de baterias afastado de superfícies quentes.*
- *Não utilize a máquina se o cabo do carregador de bateria e a ficha estiverem danificados. Se a máquina não funcionar correctamente, estiver danificada, tiver ficado ao ar livre ou caído na água, leve-a para um centro de assistência.*
- *Para reduzir o risco de incêndio, choques eléctricos ou lesões, não deixe a máquina ligada à rede eléctrica sem vigilância. Antes de efetuar a manutenção, desligue o cabo do carregador de bateria da rede eléctrica.*
- *Não fume durante o carregamento das baterias.*
- *Para evitar a utilização da máquina sem autorização, remova a chave de ignição.*
- *Se a máquina for deixada sem vigilância, deve ser bloqueada para impedir o movimento involuntário.*
- *Proteja sempre a máquina do sol, chuva e outras intempéries seja em estado de funcionamento ou parada. Mantenha a máquina num lugar coberto, num ambiente seco: Esta máquina não deve ser utilizada ou conservada no exterior, em condições de humidade.*
- *Antes de utilizar a máquina, feche todas as portinholas e/ou tampas como indicado no Manual de instruções de uso.*

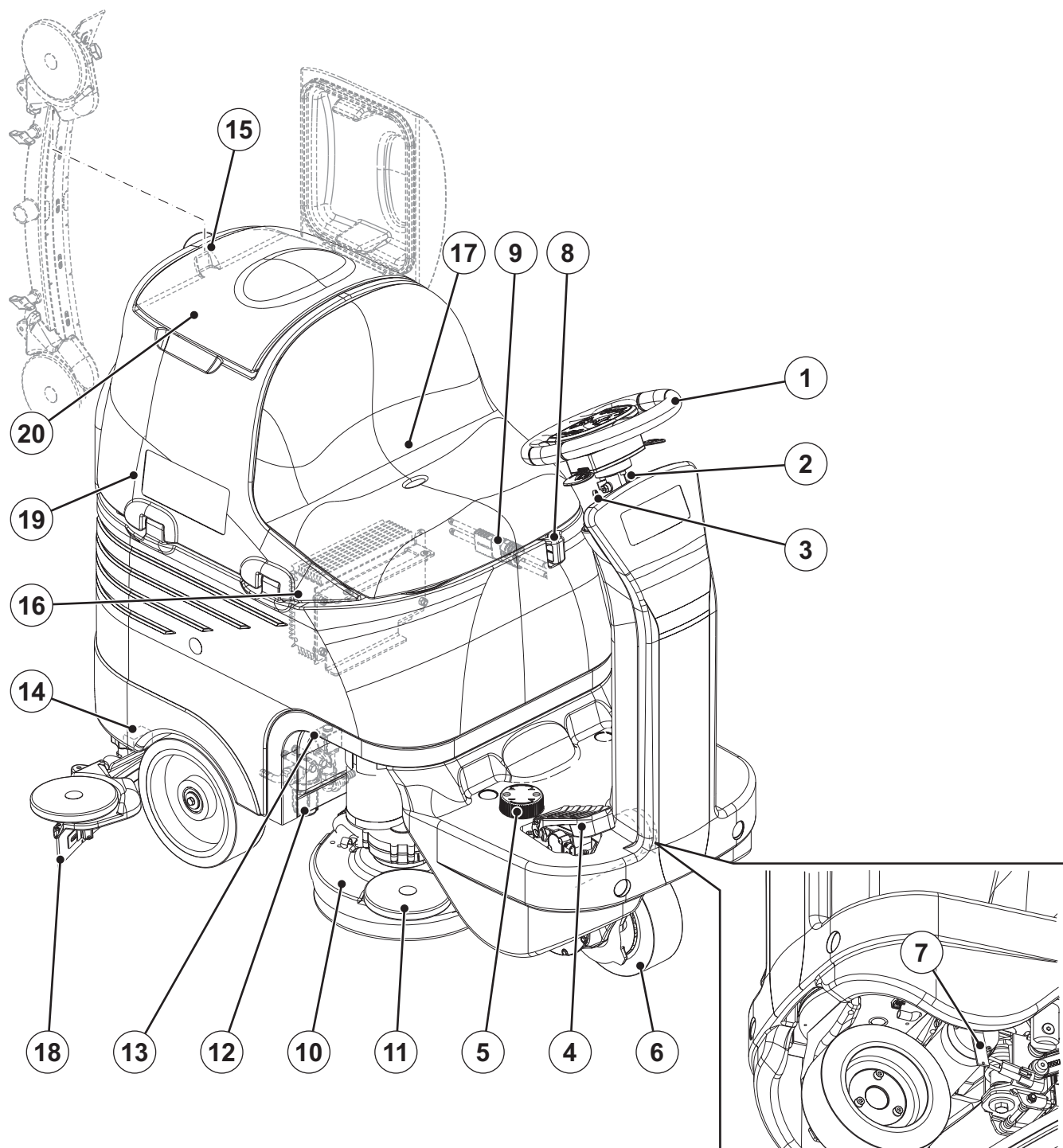
**AVISO!**

- *Esta máquina não é adequada para a utilização por parte de pessoas (incluindo crianças) com capacidades físicas, sensoriais ou mentais reduzidas, bem como com falta de experiência ou de conhecimento, salvo se forem supervisionadas ou formadas sobre a utilização da máquina por parte de uma pessoa responsável pela sua segurança. As crianças devem ser vigiadas para garantir que não brincam com a máquina.*
- *Preste em particular atenção quando a utilizar com crianças por perto.*
- *Não utilize para fins diferentes dos que são indicados neste Manual. Utilize unicamente os acessórios recomendados pela Advance.*
- *Tome as devidas precauções de modo que cabelos, jóias, partes das roupas soltas não fiquem presas nas partes em movimento da máquina.*
- *Não utilize a máquina em superfícies inclinadas.*
- *Não incline a máquina a um ângulo superior à marca existente na máquina para não comprometer a estabilidade.*
- *Não utilize a máquina em espaços particularmente poeirentos.*
- *Utilize a máquina unicamente em áreas suficientemente iluminadas.*
- *Se a máquina for utilizada na presença de outras pessoas, além do operador, será necessária a luz rotativa e o sinal sonoro de marcha-atrás (opcionais).*
- *Durante a utilização da máquina, preste atenção para garantir a segurança das outras pessoas e dos objetos.*
- *Não encoste a estantes ou andaimes, principalmente se existir o perigo de queda de objetos.*
- *Não pose recipientes com líquidos na máquina, utilize a base específica porta-copos e porta-objects.*
- *A temperatura de utilização da máquina deve estar compreendida entre +32 °F e 104 °F (0 °C e +40 °C).*
- *A temperatura de armazenamento deve estar compreendida entre +32 °F e 104 °F (0 °C e +40 °C).*
- *A humidade deve estar compreendida entre 30% e 95%.*
- *Durante a utilização de detergentes para a limpeza dos pavimentos, siga as instruções e as advertências indicadas nos rótulos das garrafas.*
- *Antes de manusear detergentes para a limpeza dos pavimentos, vista luvas e proteções adequadas.*
- *Não utilize a máquina como meio de transporte.*
- *Evite que as escovas trabalhem com a máquina parada para não provocar danos no piso.*
- *Em caso de incêndio, utilize, se for possível, um extintor de pó e não um de água.*
- *Não viole, em nenhum caso, as proteções previstas para a máquina, respeite escrupulosamente as instruções previstas para a manutenção periódica.*
- *Não deixe nenhum objeto penetrar nas aberturas. Se as aberturas estiverem obstruídas, não utilize a máquina. Mantenha as aberturas da máquina livres de pó, fios, pelos e qualquer outro corpo estranho que possa reduzir o fluxo de ar.*
- *Não remova, nem altere as placas colocadas na máquina.*
- *Para deslocar manualmente a máquina, é necessário desbloquear o travão eletromagnético. No final da deslocação manual, deve ativar o travão eletromagnético. Nunca utilize a máquina com o travão eletromagnético desativado.*
- *No caso em que a máquina seja movimentada através de empurro por motivos de serviço (falta de baterias, baterias descarregas, etc.), nunca ultrapassar a velocidade de 2,5 mph (4 km/h).*
- *A presente máquina não é aprovada para a utilização em estradas ou vias públicas.*
- *Preste atenção durante o transporte da máquina em condições abaixo da temperatura de congelamento. A água presente no reservatório da água de recuperação ou nos tubos pode congelar e danificar gravemente a máquina.*
- *Utilize unicamente as escovas e os feltros fornecidos com a máquina ou os especificados no Manual de instruções de uso. A utilização de outras escovas ou feltros pode pôr em causa a segurança.*
- *No caso de se verificarem anomalias no funcionamento da máquina, certifique-se de que não se devem à falta de manutenção periódica. Caso contrário, solicite a intervenção do pessoal autorizado ou do centro de assistência autorizado.*
- *Em caso de substituição de peças, solicite peças de substituição ORIGINAIS a um concessionário ou revendedor autorizado.*
- *Por motivos da segurança, e também de bom funcionamento, faça com que pessoal autorizado ou um centro de assistência autorizado execute a manutenção programada prevista no capítulo específico deste manual.*
- *Não lave a máquina com jatos de água diretos ou sob pressão, nem com substâncias corrosivas.*
- *Se estiverem instaladas baterias de chumbo (WET), não incline a máquina a mais de 30° em relação ao plano horizontal, de forma a não provocar uma fuga do líquido das baterias que é altamente corrosivo. Quando for necessário inclinar a máquina para executar a manutenção, retire preventivamente as baterias.*
- *A máquina não deve ser abandonada, no fim de seu ciclo de vida, devido à presença, em seu interior, de materiais tóxicos nocivos (baterias, etc.), sujeitos a normas que prevêm o despejo junto a centros especiais (veja o capítulo Fim de vida).*

DESCRIÇÃO DA MÁQUINA

ESTRUTURA DA MÁQUINA

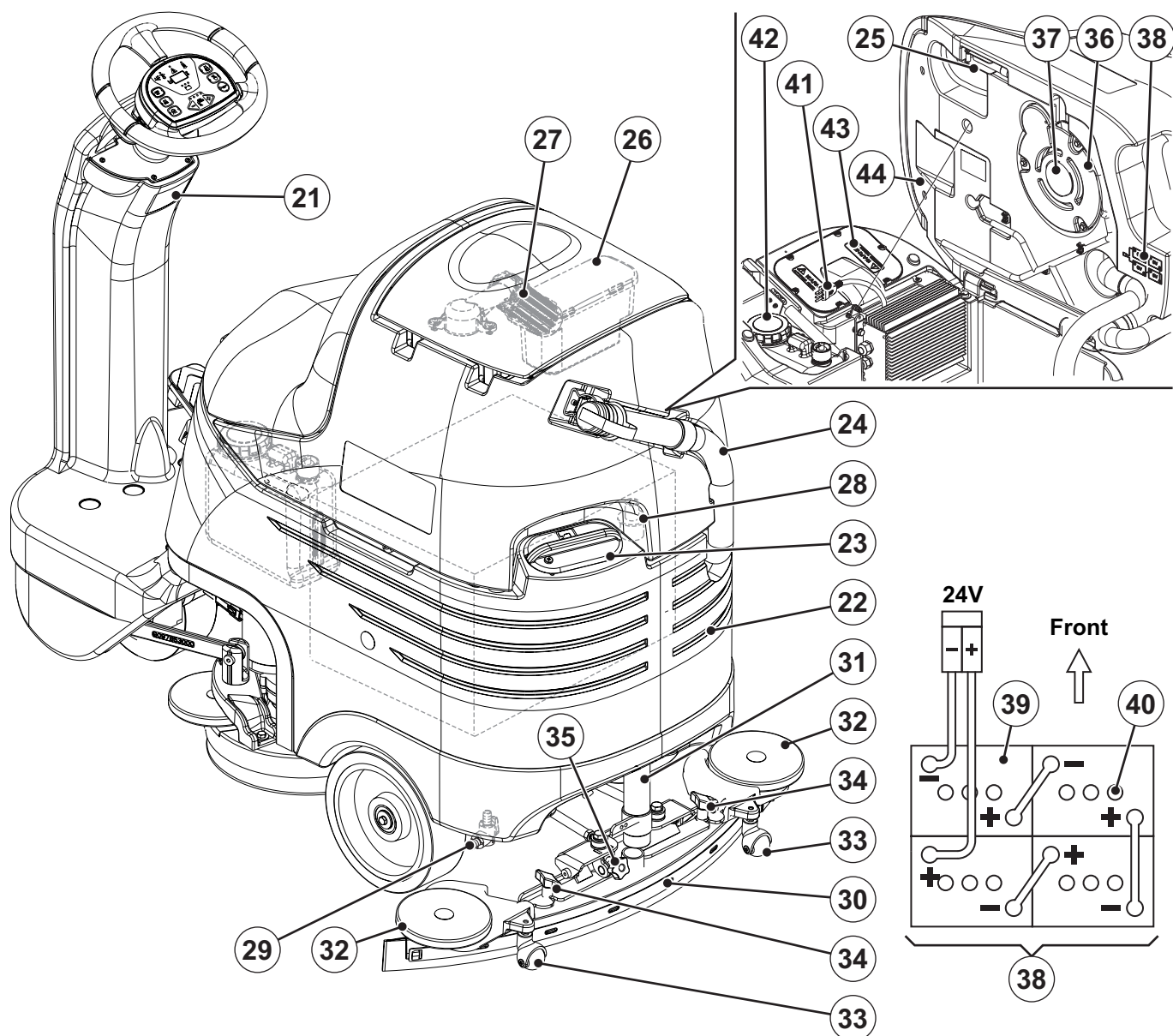
- | | |
|---|--|
| 1. Volante com painel de controlo e comandos (ver parágrafo seguinte) | 11. Rolo pára-choques |
| 2. Coluna de direção | 12. Filtro da solução de detergente |
| 3. Chave de ignição | 13. Eletroválvula |
| 4. Pedal de marcha | 14. Válvula abertura/fecho da água de lavagem |
| 5. Regulação da altura de apoio do pé | 15. Gancho para manter o limpador |
| 6. Roda dianteira directriz, de tracção e travagem | 16. Carregador de baterias |
| 7. Alavanca de desbloqueio do travão electromagnético | 17. Assento |
| 8. Botão de EMERGÊNCIA para a paragem imediata de todas as funções | 18. Grupo borrachas do limpador |
| 9. Conector das baterias | 19. Reservatório da água de recuperação inclinável |
| 10. Cabeça porta-escovas | 20. Tampa de reservatório da água de recuperação |



P100358

ESTRUTURA DA MÁQUINA (Continuação)

- 21. Placa do número de série/dados técnicos/marca de conformidade
- 22. Reservatório da água de lavagem
- 23. Bujão de enchimento do reservatório da solução de lavagem com tubo amovível para enchimento
- 24. Tubo de descarga da água de recuperação
- 25. Pé de suporte do grupo do reservatório
- 26. Depósito com grelha de recolha de resíduos
- 27. Grelha de aspiração com sistema de fecho automático com boia
- 28. Adaptador para o tubo extraível de carregamento da água e tudo de aspiração do limpador
- 29. Torneira do reservatório da água de lavagem
- 30. Limpador
- 31. Tubo de aspiração do limpador
- 32. Rolo para-choques do limpador
- 33. Rodas de apoio do limpador
- 34. Volantes de fixação do limpador
- 35. Volante de regulação do balanceamento do limpador
- 36. Motor do sistema de aspiração
- 37. Filtro do motor do sistema de aspiração
- 38. Esquema de ligação das baterias
- 39. Baterias
- 40. Tampas das baterias
- 41. Cabo do carregador de baterias
- 42. Bidão de detergente EcoFlex
- 43. Tampa do compartimento eletrônico
- 44. Grupo reservatório e assento levantado



P100359

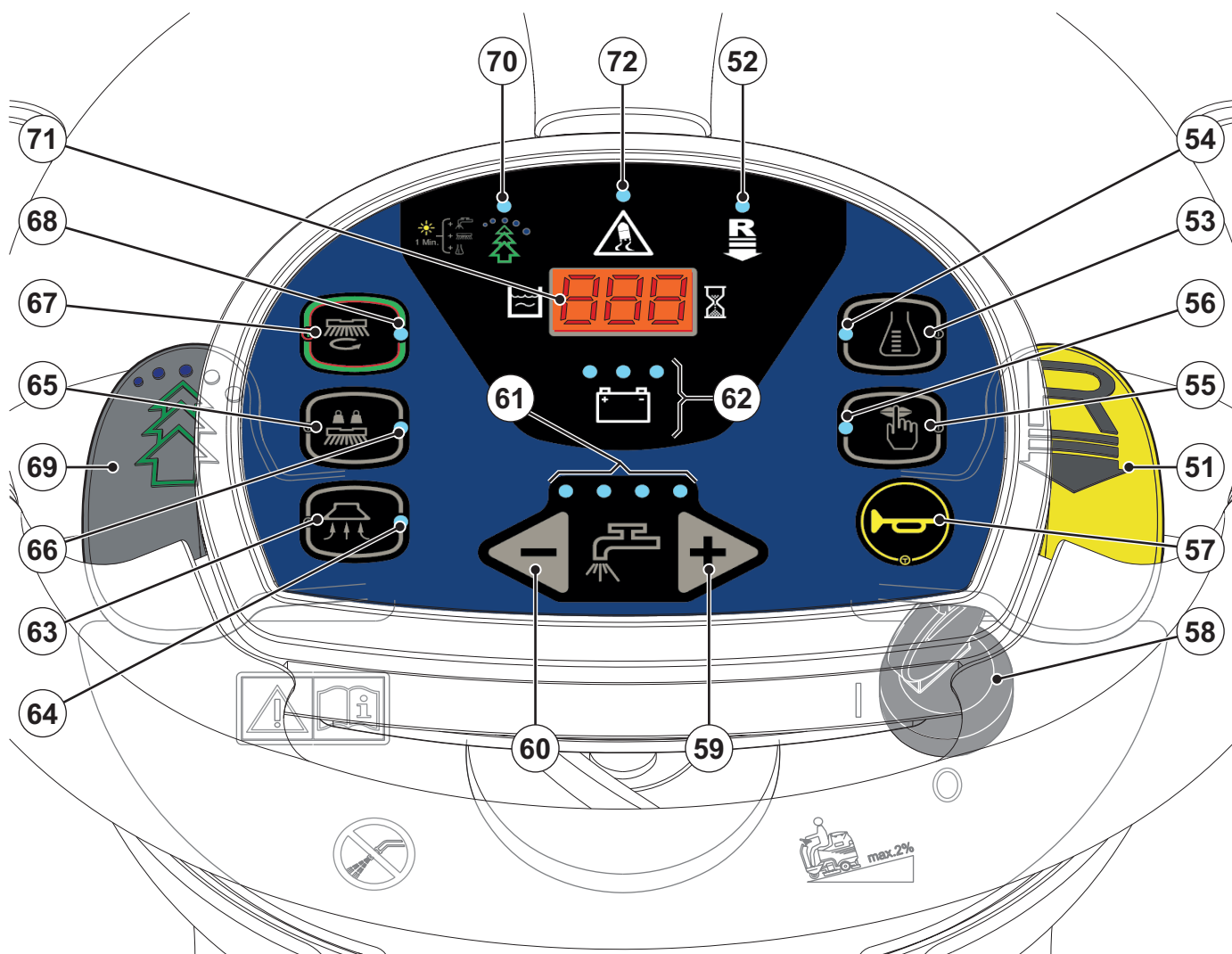
VOLANTE COM PAINEL DE CONTROLO E COMANDOS

51. Alavanca de ativação/desativação da marcha-atrás
 52. Indicador de led de activação da marcha-atrás
 53. Botão de controlo do fluxo de detergente
 54. Indicador LED de controlo do fluxo de detergente de lavagem
 55. Botão de modalidade silenciosa
 56. LED de modalidade silenciosa
 57. Botão do avisador acústico
 58. Chave de ignição
 59. Botão de aumento do fluxo da solução
 60. Botão de diminuição do fluxo da solução
 61. Indicador LED do fluxo da solução
 62. LED indicador da bateria
 • LED verde de aviso - bateria carregada
 • LED amarelo de aviso - bateria quase descarregada
 • LED vermelho de aviso - bateria descarregada
 63. Botão do sistema de aspiração
 64. Indicador LED do sistema de aspiração
 65. Botão de pressão suplementar
 66. Indicador LED pressão suplementar
 67. Botão One-Touch™ de lavagem/secagem
 68. Indicador LED One-Touch™
 • LED intermitente: Cabeça porta-escovas e limpador em movimento para cima/baixo
 • LED fixo: máquina em funcionamento
 69. Alavanca de desativação/ativação EcoFlex
 70. Indicador LED do sistema EcoFlex:
 • Led aceso - EcoFlex em funcionamento
 • LED intermitente - override sistema EcoFlex
 • LED apagado - sistema EcoFlex desactivado
 71. Ecrã contador de horas e nível de solução detergente:
 • Quando a máquina é ligada indica, durante alguns segundos, as horas de trabalho efectuadas.
 • Durante a utilização da máquina, indica o nível da solução de detergente/água limpa presente no reservatório (em galões).
 • Quando o nível é superior a 18 US gal, o ecrã indica "FUL".
 • Quando o nível é inferior a 4 US gal, o ecrã indica "LO".
 • Quando o reservatório está quase vazio, a indicação "LO" começa a piscar.
 72. Indicador de led da activação de controlo anti-patinagem



NOTA

A indicação "LO" intermitente pode aparecer antes do esvaziamento efectivo do reservatório; por isso pode ser possível executar as últimas fases de trabalho controlando o real fluxo de água de lavagem das escovas.



P100360

ACESSÓRIOS / OPCIONAIS

Além dos componentes existentes na versão padrão, a máquina pode ser equipada com os seguintes acessórios/opcionais, com base na utilização específica da mesma:

- Baterias GEL/AGM
- Escovas de materiais diferentes
- Filtros de materiais diferentes
- Borrachas do limpador em diferentes materiais
- Luz rotativa intermitente
- Kit esfregona com recolha de lixo
- Motor do sistema de aspiração de 0,9 HP (670 W)

Para mais informações relativas aos acessórios opcionais acima indicados, consulte o seu revendedor habitual.

CARACTERÍSTICAS TÉCNICAS

Descrição	SC3000 26" Disc
Capacidade do reservatório da água de lavagem	21 US gal (80 litros)
Capacidade do reservatório da água de recuperação	21 US gal (80 litros)
Comprimento máximo da máquina	53,5 in (1.360 mm)
Largura da máquina sem limpador	26,4 in (670 mm)
Largura do limpadores	35 in (890 mm)
Altura da máquina	46,8 in (1.190 mm)
Espaço para mudança de direção em U	59 in (1,500 mm)
Largura de limpeza	26 in (660 mm)
Diâmetro das rodas traseiras	9,8 in (250 mm)
Pressão específica das rodas traseiras no piso	130 psi (0,9 N/mm ²)
Diâmetro da roda dianteira direcionável, de tracção e de travagem	8,8 in (225 mm)
Pressão específica no solo da roda dianteira	72 psi (0,5 N/mm ²)
Diâmetro das escovas	13 in (330 mm)
Pressão das escovas com pressão suplementar desengatada	66,1 lb (30 kg)
Pressão das escovas com pressão suplementar engatada	105,8 lb (48 kg)
Fluxo solução detergente	0,26 - 0,8 US gal/min (1 - 3 litros/min)
Pressão sonora no ouvido do operador (ISO 11201, ISO 4871, EN 60335-2-72) (LpA)	65 dB(A) ± 3 dB(A)
Potência sonora emitida pela máquina (ISO 3744, ISO 4871, EN 60335-2-72) (LwA)	82 dB(A)
Nível das vibrações no braço do operador (ISO 5349-1, EN 60335-2-72)	< 98,4 in/s ² (< 2,5 m/s ²)
Nível das vibrações no corpo do operador (ISO 2631-1, EN 60335-2-72)	3,1 in/s ² (0,8 m/s ²)
Inclinação máxima de utilização	2% (1,14°)
Potência do motor do sistema de tração	0,4 HP (300 W)
Velocidade máxima	3,7 mph (6 km/h)
Potência do motor do sistema de aspiração	0,56 HP (420 W)
Depressão do sistema de aspiração	0,0098 MPa (1.000 mmH ₂ O)
Potência motor das escovas	2 x 0,53 HP (2 x 400 W)
Velocidade das escovas	230 rpm
Potência total absorvida	63 A (1,5 kW)
Grau de proteção IP	X4
Dimensões compartimento de bateria (comprimento x largura x altura)	14,9 x 21,2 x 11,8 in (380 x 540 x 300 mm)
Tipo das baterias	4 baterias de 6 V, 180 Ah/C5 (WET)
	4 baterias de 6 V, 180 Ah/C5 (GEL/AGM)
Peso sem baterias e com os reservatórios vazios	390 lb (177 kg)
Peso com e os reservatórios vazios	672 lb (305 kg)
Peso máximo admissível em andamento (GVW)	999 lb (453 kg)
Peso de expedição	461 lb (209 kg)

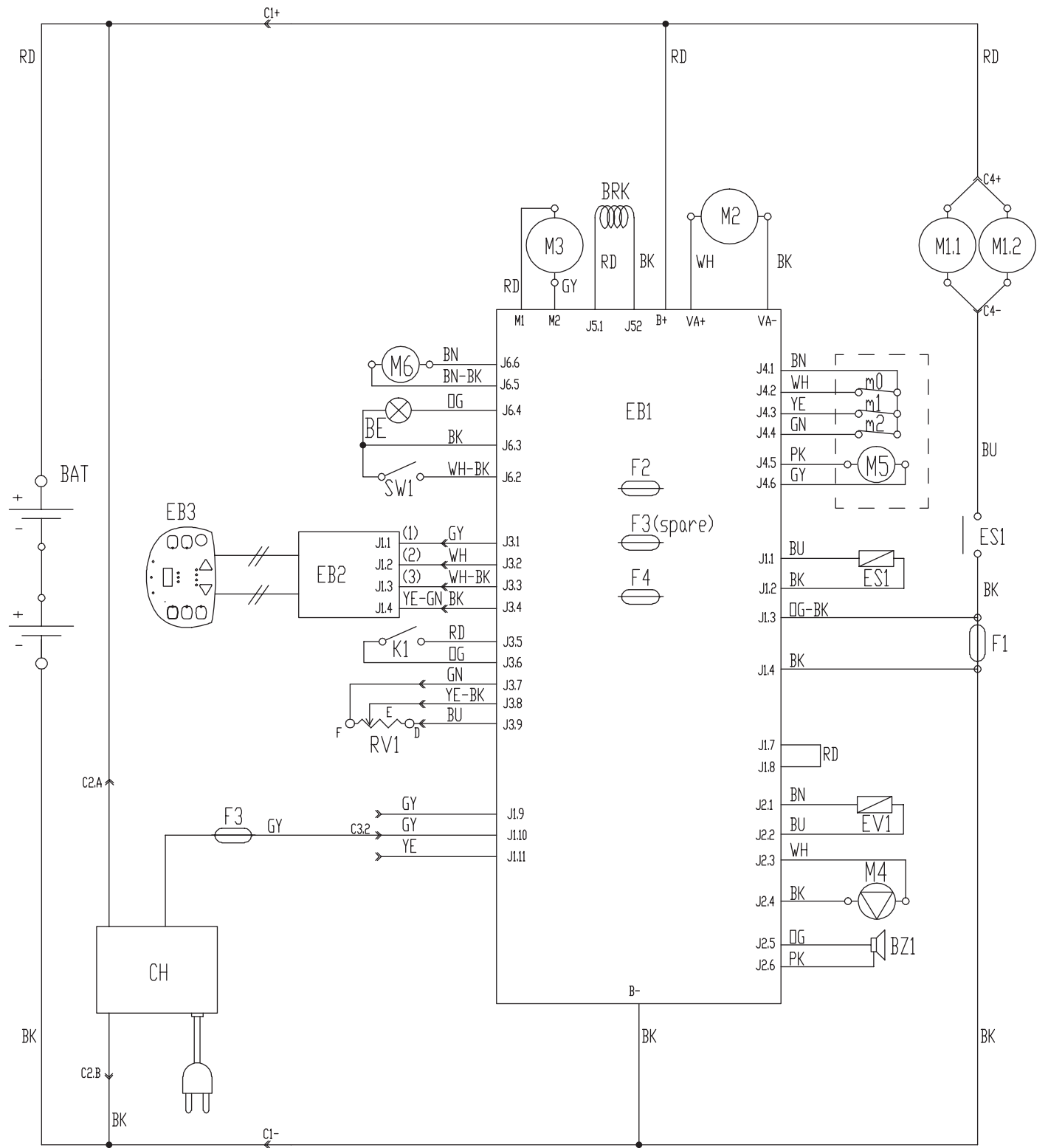
DIAGRAMA ELÉTRICO**Legenda**

BAT	Baterias de 24 V
BE	Luz rotativa intermitente (opcional)
BRK	Travão eletromagnético
BZ1	Avisador sonoro de marcha-atrás/sinalizador sonoro
C1	Conector das baterias
C2	Conector principal do carregador de baterias
C3	Conector secundário do carregador de baterias
C4	Conector da cabeça as escovas
CH	Carregador de baterias (opcional)
EB1	Placa electrónica das funções
EB2	Placa electrónica do ecrã
EB3	Placa electrónica imagem do painel
ES1	Contactador das escovas
EV1	Eletroválvula
F0	Fusível bateria
F1	Fusível da cabeça das escovas
F2	Fusível da placa electrónica principal
F3	Fusível dos circuitos de sinal
F4	Fusível accionadores
K1	Comutador de ignição
M1.1,2	Motores das escovas
M2	Motor do sistema de aspiração
M3	Motor do sistema de tracção
M4	Bomba de detergente (opcional)
M5	Motor do accionador da cabeça do porta-escovas
M6	Motor accionador do limpador
m0	Micro-interruptor da posição 0 do accionador do limpador
m1	Micro-interruptor da posição 1 do accionador do limpador
m2	Micro-interruptor da posição 2 do accionador do limpador
PR1	Interruptor de pressão do nível de água de lavagem
RV1	Potenciómetro pedal marcha
SW1	Microinterruptor do assento do condutor

Código das cores

BK	Preto
BU	Azul-claro
BN	Castanho
GN	Verde
GY	Cinzento
OG	Cor de laranja
PK	Rosa
RD	Vermelho
VT	Roxo
WH	Branco
YE	Amarelo

ESQUEMA ELÉCTRICO (Continuação)



P100361A

UTILIZAÇÃO/FUNIONAMENTO

**AVISO!**

Em alguns pontos da máquina encontram-se aplicadas autocolantes que indicam:

- **PERIGO**
- **AVISO**
- **ADVERTÊNCIA**
- **CONSULTA**

Durante a leitura deste manual, o operador deve compreender perfeitamente o significado dos símbolos presentes nas placas. Não cubra, em caso algum, os autocolantes e substitua-os imediatamente caso venham a ser danificados.

CONTROLO/PREPARAÇÃO DAS BATERIAS NUMA MÁQUINA NOVA

**AVISO!**

Os componentes elétricos desta máquina podem sofrer sérios danos se as baterias não forem instaladas e conectadas da maneira correta. As baterias devem ser instaladas exclusivamente por pessoal qualificado.

Regule a placa electrónica das funções de acordo com o tipo de baterias instalado (WET ou GEL/AGM).

Inspecione as baterias antes da instalação para verificar que não estejam danificadas.

Desligue o conector da bateria e a tomada do carregador de baterias.

Manuseie as baterias com muita atenção.

Instale as tampas protetoras dos terminais das baterias fornecidas com a máquina.

A máquina requer 4 baterias de 6 V, ligadas conforme o diagrama (38).

A máquina pode ser fornecida nas seguintes configurações:

Baterias (WET ou GEL/AGM) montadas na máquina e prontas para a utilização

1. Abra a tampa (20) e certifique-se de que o reservatório da água de recuperação (19) está vazio. Caso contrário, esvazie-o através do tubo de descarga (24).
2. Feche a tampa (20).
3. Levante com cuidado o grupo do reservatório (44).
4. Controle que as baterias estejam ligadas à máquina através do conector (9).
5. Baixe com cuidado o grupo do reservatório (44).
6. Na primeira utilização da máquina com baterias novas, efetue um ciclo de carregamento completo das baterias (veja o procedimento no capítulo Manutenção).

Sem baterias

1. Compre baterias adequadas (ver o parágrafo Características Técnicas). Dirija-se a revendedores qualificados para a escolha e a instalação.
2. Regule a máquina em função do tipo de baterias instalado (WET ou GEL/AGM) (ver o parágrafo seguinte).
3. Instale as baterias (ver parágrafo seguinte).
4. Carregue as baterias (consulte o procedimento no respectivo parágrafo no capítulo da Manutenção).

INSTALAÇÃO DAS BATERIAS E DEFINIÇÃO DO TIPO DE BATERIAS (WET OU GEL/AGM)



Instalação das baterias

1. Abra a tampa (20) e certifique-se de que o reservatório da água de recuperação (19) está vazio. Caso contrário, esvazie-o através do tubo de descarga (24).
2. Feche a tampa (20).
3. Levante com cuidado o grupo do reservatório (44).
4. Instale as baterias e ligue-as de acordo com o respectivo esquema (38).

Definição do tipo de baterias

De acordo com o tipo de baterias instaladas (WET ou GEL/AGM), defina a placa electrónica da máquina e do carregador de bateria integrado:

5. Coloque a chave de ignição (58) na posição "I" e detecte a definição da corrente contando, durante os primeiros segundos de funcionamento da máquina, o número de vezes que os indicadores LED da bateria (62) LED, de acordo com a seguinte tabela:

DEFINIÇÃO	ECRÃ (71)	LED DE SINALIZAÇÃO AVISO BATERIAS (62)	TIPO DAS BATERIAS
1		4 piscas do LED vermelho de aviso	WET
2		4 piscas do LED verde de aviso	GEL-AGM

6. Se for necessário mudar de definição, proceda como indicado nos seguintes pontos.
7. Desligue a máquina rodando a chave de ignição (58) para "0".
8. Prima ao mesmo tempo e mantenha premido os botões (67) e (63), em seguida, coloque a chave de ignição (58) em "I".
9. Solte os botões (67) e (63) mas apenas após 5 segundos do arranque da máquina.
10. No espaço de 3 segundos, volte a pressionar durante um período de tempo breve, o botão (63) para passar para a definição seguinte (de 1 a 6 numa sequência cíclica).



NOTA

Durante a execução dos pontos 9 e 10, as definições são também apresentadas no ecrã (71) através do código na tabela.



NOTA

O carregador de bateria deve ser configurado de acordo com o seu manual do utilizador.

Carregamento das baterias

11. Carregue as baterias (consulte o procedimento no respectivo parágrafo no capítulo da Manutenção).

ANTES DO ARRANQUE**AVISO!**

Sempre que ligar a máquina, controle que não estão presentes corpos estranhos entre a cabeça (10 ou 28) e a máquina ou entre o limpador (30) e a máquina, que possam dificultar o eventual levantamento da cabeça e do limpador. Este controlo é necessário, se a máquina for desligada sem ter levantado a cabeça porta-escovas e o limpador, ao ser ligada novamente, estes levantam-se automaticamente.

Instalação/remoção das escovas

Na máquina predefinida com a cabeça específica, pode instalar as escovas (A, Fig. 1) e os porta-feltros (B) com feltro (C), de acordo com o tratamento a efectuar no chão.

Para instalar/remover estes componentes, proceda como indicado a seguir.

1. introduza a chave de ignição (58) e posicione-a em "I".

**AVISO!**

Antes de pressionar o botão One-Touch (67), controle sempre que não haja corpos estranhos entre a cabeça (10) e a máquina que possam dificultar a elevação da cabeça.

2. Levante a cabeça premindo os botões One-Touch (67).
3. Rode a chave de ignição (58) em "0", em seguida, remova-a.
4. Instale as escovas/porta-feltro (A ou B) inserindo-as no cubo portador (D) por baixo da cabeça e, em seguida, rode-as completamente no sentido contrário à rotação das escovas até ao batente (E).
5. Para remover as escovas, efectue os pontos de 1 a 3 e, em seguida, solte manualmente a escova do cubo fazendo rodá-la no sentido de rotação (F).

**AVISO!**

A utilização da máquina não perfeitamente montada pode provocar lesões nas pessoas e nos danos nas ferramentas. Verifique sempre se montou todos os componentes antes de colocar a máquina em funcionamento. Inspeccione atentamente a máquina, antes de a usar.

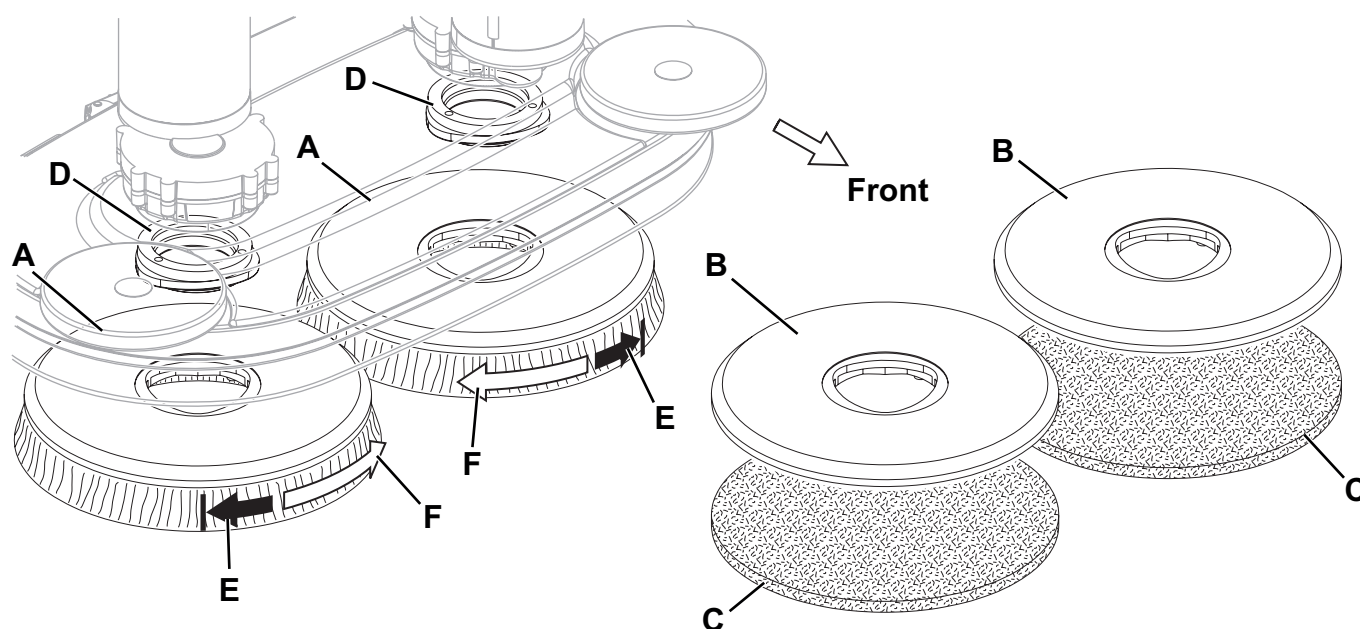


Figura 1

P100362

Tipos de escovas disponíveis e guia da sua aplicação (apenas sugestões)

Modelos	MIDLITE GRIT 180	MIDGRIT 240	PROLENE	PROLITE	UNION MIX
Limpeza geral:					
Betão					
Piso de terraço					
Pavimento de azulejos/pedra					
Mármore					
Pavimento de vinil					
Pavimento de borracha					
Polimento:					
Pavimento de borracha					
Mármore					
Pavimento de vinil					

Instalação do limpador

1. Instale o limpador (30) e fixe-o com os volantes (34), ligue então o tubo de aspiração (31) ao limpador.
2. Regule o limpador através do volante (35) de modo que as borrachas (18) traseiras toque no piso em toda a sua extensão e que a borracha dianteira fique ligeiramente afastada do piso.

Enchimento do reservatório da água de lavagem

1. Desaparafuse a tampa (23).
2. Através do bocal amovível, encha o reservatório (22) com água limpa.
Não encha completamente o reservatório (22), pare a alguns centímetros do bordo do bujão (23).
A temperatura da água não deve ultrapassar os 40 °C.

Enchimento do reservatório do detergente EcoFlex**ADVERTÊNCIA!**

Utilizar exclusivamente detergentes líquidos com pouca espuma e não inflamáveis adequados aos aparelhos em uso.

**AVISO!**

Durante a utilização de detergentes para a limpeza dos pavimentos, siga as instruções e as advertências indicadas nos rótulos das garrafas.

Antes de manusear detergentes para a limpeza dos pavimentos, vista luvas e proteções adequadas.

1. Abra a tampa (20) e certifique-se de que o reservatório da água de recuperação (19) está vazio. Caso contrário, esvazie-o através do tubo de descarga (23).
2. Feche a tampa (20).
3. Levante com cuidado o grupo do reservatório (44).
4. Abra a tampa do reservatório do detergente (42).
5. Encha o reservatório com um detergente adequado para o trabalho a efectuar (detergente de alta concentração).
Não encha completamente o bidão de detergente, pare a alguns centímetros do topo.

**NOTA**

Se o tubo do reservatório de detergente estiver vazio (em caso de sistema novo, de sistema esvaziado para limpeza, etc.) para acelerar o enchimento do tubo, pode ser útil executar um ou mais ciclos de limpeza do sistema EcoFlex (consulte o procedimento no parágrafo Manutenção).

Regulação da posição do operador

1. Regule a altura do apoio do pé (5) para o seu máximo conforto.

ARRANQUE E PARAGEM DA MÁQUINA

Arranque da máquina

1. Prepare a máquina como previsto no parágrafo anterior.
2. Coloque a chave de ignição (58) em "I", sem accionar o pedal de marcha (4). Verifique que o LED verde da bateria (62) se acende.
Caso se acenda o LED amarelo ou vermelho, volte a colocar a chave de ignição (58) em "0" e, em seguida, carregue as baterias (consulte o procedimento no capítulo Manutenção).
3. Inicie o trabalho de varredura, operando a máquina com as mãos no volante e pressionando o pedal (4).
A velocidade de avanço pode ser regulada de zero até seu valor máximo através da pressão exercida no pedal (4).
4. A marcha para a frente/marcha-atrás é seleccionada através da alavanca específica (51) situada do lado direito do volante.



NOTA

O assento (17) possui um sensor de segurança que permite o movimento da máquina, através do pedal (4), apenas com o operador sentado no assento.



NOTA

Existe na máquina um sistema de segurança anti-patinagem [led (72) intermitente] que reduz sempre que necessário a velocidade ao curvar e em caso de inclinação lateral da máquina, independentemente da pressão exercida no pedal. Esta redução de velocidade não significa portanto um mau funcionamento mas é uma característica que aumenta a estabilidade e a segurança da máquina em qualquer condição.

5. Abaixar a cabeça do porta-escovas e o limpador premindo o botão One-Touch (67).
6. Pressione os botões de controle do caudal da solução detergente (59 e 60) com base na limpeza a efectuar.
7. Inicie o trabalho de limpeza, operando a máquina com as mãos no volante (1) e pressionando adequadamente o pedal (4).



NOTA

Existe na máquina um sistema de segurança que permite ligar a rotação das escovas e do sistema de aspiração apenas quando a máquina está em movimento.

Paragem da máquina

8. Solte o pedal (4).
Não é necessário bloquear a máquina durante a paragem ou o estacionamento dado que o travão electromagnético da roda trava automaticamente a máquina quando o pedal de marcha não estiver accionado.
9. Levante a cabeça do porta-escovas e o limpador premindo o botão One-Touch (67).



ADVERTÊNCIA!

Em caso de necessidade imediata ou para parar todas as funções da máquina em caso de emergência, prima com vigor o botão de emergência (8).

Para repor a funcionalidade da máquina, levante o grupo reservatório da água de recuperação (44) e ligue o conector das baterias (9).

MÁQUINA EM OPERAÇÃO (LAVAGEM/SECAGEM)

1. Ligue a máquina como previsto no parágrafo anterior.
2. Se for necessário, varie a quantidade de solução detergente enviada para as escovas através dos botões (59 e 60).
3. Se necessário, para reduzir ao mínimo o ruído, ative a função de aspiração silenciosa premindo o botão (55).



NOTA

Sugere-se a utilização da modalidade silenciosa em pavimentos lisos e sem fugas.



NOTA

Para uma lavagem/secagem correta dos pavimentos nos bordos das paredes, Advance sugere aproximar-se com o lado direito da máquina como representado na figura 2.

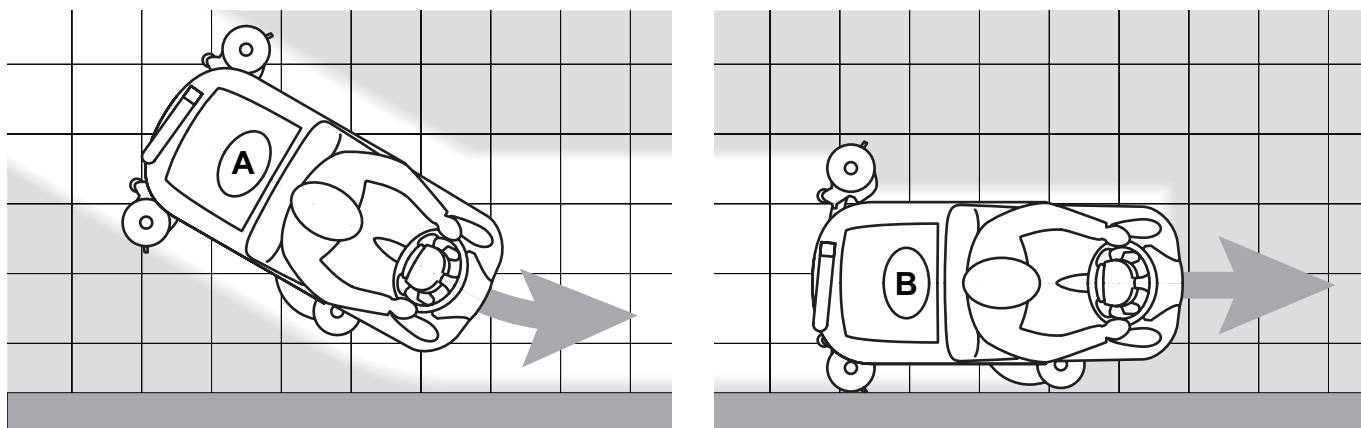


Figura 2

P100364

Regulação do limpador

4. Se for necessário, pare a máquina e rode o manípulo de regulação de equilíbrio do limpador (35) de modo que a sua borracha traseira toque o piso em toda a sua extensão.

Regulação da concentração de detergente na solução detergente

O sistema para a mistura do detergente com a água de lavagem é activado premindo o botão de regulação da percentagem de detergente (A, Fig. 3): com o LED (B) aceso o detergente é adicionado à água de lavagem.

O ecrã (C) indica o nível de concentração do detergente na solução detergente como na tabela indicada na figura 3.



NOTA

A concentração de detergente na solução distribuída pelo sistema corresponde sempre ao nível 1. Para obter temporariamente uma concentração mais forte, pressione o sistema EcoFlex ou desabilite-o (veja o parágrafo relevante).

Função EcoFlex

Levante a alavanca EcoFlex (D, Fig. 3) sempre que uma potência de lavagem mais forte seja necessária.

Ao levantar a alavanca (D) (LED (E) intermitente) o fluxo da solução aumenta, a activação da função de pressão suplementar e a concentração de detergente na solução correspondente aumenta até o nível ajustado (além disso, se a função de mistura de detergente não estiver activada, activa-se automaticamente).

Levantando novamente a alavanca (E) as regulações iniciais são repostas [led (E) aceso].



NOTA

Caso a alavanca (E) não seja levantada uma segunda vez, as regulações iniciais são repostas automaticamente após 60 segundos.

Para modificar a regulação actual da percentagem de detergente, proceda do seguinte modo:

1. Desactive o botão de regulação da percentagem de detergente (A) [o LED (B) deve apagar-se].
2. Prima e mantenha premido o botão de regulação da percentagem de detergente (A) até o LED (B) parar de piscar.
3. Liberte o botão (B). Volte a premi-lo brevemente para passar para o nível seguinte indicado no ecrã (C), como mostrado na tabela na Figura 3; repita o procedimento até obter a regulação pretendida.
4. Aguarde que o LED (B) pare de piscar: o novo nível está regulado.



NOTA

A definição da percentagem de detergente é guardada na memória mesmo após desligar a máquina.

Procedimento de desactivação do sistema EcoFlex

Para desabilitar o sistema temporariamente, levante a alavanca EcoFlex (D, Fig. 3) e mantê-la levantada por 2 segundos. Após este procedimento, [led (D) apagado], o nível de concentração do detergente corresponde ao que foi regulado. Para reactivar o sistema, levante novamente a alavanca EcoFlex (D).

Para desactivar permanentemente o sistema EcoFlex, proceda como indicado a seguir:

1. Desligue a máquina rodando a chave de ignição (58) para "0".
2. Levante e mantenha levantada a alavanca (D) e, em seguida, coloque a chave de ignição (58) em "1".
3. Solte a alavanca (D) mas apenas após 8 segundos do arranque da máquina.

Após este procedimento, a alavanca EcoFlex deixa de estar operacional [LED (E) apagado] e o nível de concentração de detergente corresponde ao que foi regulado.

Para reactivar o sistema, repita os pontos de 1 a 3.

**NOTA**

A desactivação do sistema EcoFlex é guardada na memória mesmo após desligar a máquina.

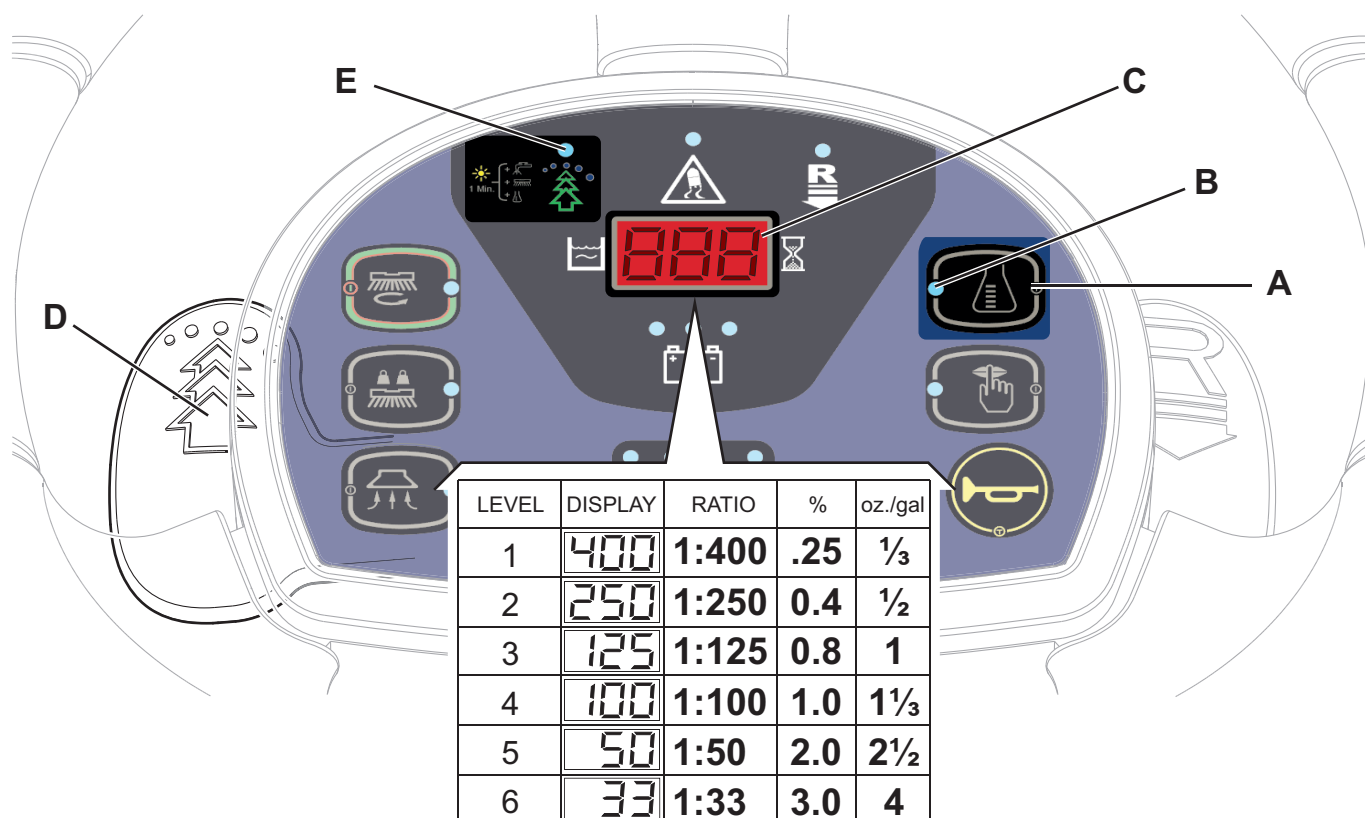


Figura 3

P100365A

Trabalho com a função de pressão suplementar das escovas ativada

1. Se a sujidade do piso for extremamente resistente, é possível trabalhar com uma pressão suplementar das escovas premindo o botão (65).
2. Para voltar a trabalhar com a pressão normal, volte a premir o botão (65).
O botão (65) está activo apenas quando a cabeça (10) está abaixada e o LED (68) do botão One-Touch (67) está aceso.



ADVERTÊNCIA!

Em caso de sobrecarga do motor das escovas, devido a corpos estranhos que dificultam o movimento das mesmas ou a pisos/escovas demasiado agressivos, um sistema de segurança para as escovas/porta-filtros após aproximadamente um minuto de sobrecarga contínua.

A condição de sobrecarga é indicada através do piscar em simultâneo dos três LED de carregamento das baterias (62).

Se a sobrecarga tiver lugar durante o trabalho com função de pressão suplementar activada, o sistema diminui automaticamente a pressão na escovas/porta-filtros desengatando a função de pressão suplementar. Se a sobrecarga continuar, as escovas/porta-filtro param.

Para continuar a trabalhar depois da paragem das escovas devida à sobrecarga, é necessário desligar a máquina, colocando a chave de ignição (58) em "0". Ligue a máquina colocando a chave de ignição (58) em "I".

Carregamento da bateria durante o funcionamento

1. Enquanto o led verde LED (62) permanecer aceso, as baterias permitem que a máquina funcione normalmente. Quando o LED verde se apagar e se acenderem em sequência os LEDs amarelo e vermelho, é necessário recarregar as baterias.
 - Quando se acender o LED amarelo a autonomia da máquina é de poucos minutos (variáveis conforme as características da bateria utilizada).
 - Quando o LED de advertência vermelho se acender a autonomia da máquina está terminada: após alguns segundos as escovas/porta-filtro são automaticamente interrompidas e a cabeça é levantada automaticamente. Continuam activos unicamente o sistema de aspiração e o sistema de tracção apenas para permitir secar eventuais secções de piso molhado e para deslocar a máquina para o local de recarregamento.



ADVERTÊNCIA!

Para não danificar as baterias e reduzir a vida útil, não persistir na utilização da máquina com as baterias descarregadas.



NOTA

Se não for possível deslocar a máquina através do sistema de tracção, consulte o parágrafo Movimentar a máquina empurrando/puxando.

ESVAZIAMENTO RESERVATÓRIOS

Um sistema de fecho automático com boia (27) bloqueia o sistema de aspiração quando o reservatório da água de recuperação (19) está cheio.

É possível notar o bloqueio do sistema de aspiração ao sentir um aumento súbito da frequência do ruído do motor do sistema de aspiração. Além disso, o chão não é secado.



ADVERTÊNCIA!

Caso o sistema de aspiração se desligar por razões acidentais (por exemplo devido à intervenção prematura do bóia durante a deslocação brusca da máquina), para restabelecer o funcionamento, desligue-o pressionando o botão (63) e, em seguida, abra a tampa (20) e certifique-se de que a bóia no interior da grelha (27) tenha descido até ao nível da água. Por último, feche a tampa (20) e volte a ligar o sistema de aspiração pressionando o botão (63).

Quando o reservatório da água de recuperação (19) estiver cheio, efetue ao respetivo esvaziamento operando como previsto a seguir.

Esvaziamento do reservatório de água de recuperação

1. Pare a máquina soltando o pedal (4).
2. Levante a cabeça do porta-escovas e o limpador premindo o botão One-Touch (67).
3. Leve a máquina para a zona de despejo designada.
4. Esvazie o reservatório da água de recuperação com o tubo (24).
5. Remova o contentor com grelha de recolha de resíduos (26), esvazie-o e lave-o com água limpa. Volte a montá-lo no tubo de aspiração no reservatório.
6. No final, lave o reservatório com água limpa.

Esvaziamento do reservatório da água de lavagem

7. Execute os pontos 1 a 3.
8. Retire o adaptador (28) do seu alojamento dentro do compartimento da bateria.
9. Monte o adaptador (A, Fig. 4) no tubo de aspiração do limpador (B) e, em seguida, insira-o na válvula de descarga (C).
10. Coloque a chave de ignição (58) em "I" e ligue o sistema de aspiração com o botão (63).
11. Abra a válvula de descarga (C) para esvaziar o reservatório (22).
A válvula (C) está aberta quando estiver na posição (D) em relação à torneira; está fechada quando estiver na posição (E).
12. Após conclusão da operação, desligue o sistema de aspiração e esvazie o reservatório da água de recuperação (19) com o tubo (24).
13. No final do trabalho, feche a válvula de descarga (C), desmonte o adaptador (A) e volte a montar o tubo de aspiração (B) no limpador (30).

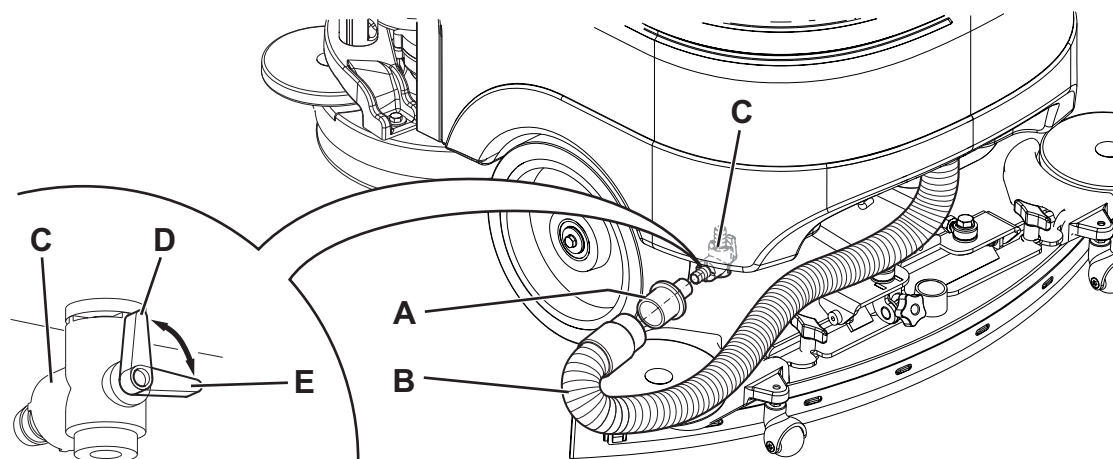


Figura 4

P100366

APÓS A UTILIZAÇÃO DA MÁQUINA

No fim do serviço, antes de abandonar a máquina:

1. Remova as escovas/porta-feltro, operando como indicado no respectivo parágrafo.
2. Esvazie os reservatórios (19 e 22), operando como indicado no parágrafo anterior.
3. Remova o limpador (30) e lave-o com água quente. Abra a tampa do reservatório de recuperação (20) e fixe o limpador no reservatório de recuperação utilizando a fixação específica (15).
4. Efetue as manutenções previstas após a utilização da máquina (veja o capítulo Manutenção).
5. Conserve a máquina num local seco e limpo, com a escovas/porta-feltros e o limpador desmontados ou levantados.

MOVIMENTO DE EMPURRAR/PUXAR A MÁQUINA

Quando não for possível utilizar o sistema de tracção (por exemplo por falta de baterias, baterias demasiado descarregadas, etc.) para movimentar facilmente a máquina empurrando/puxando, é necessário desbloquear o travão electromagnético puxando a alavanca (7) e bloqueando-a com um espaçador.

No final da deslocação da máquina, retire o espaçador por baixo da alavanca (7) para reactivar o travão electromagnético.

**AVISO!**

Se após a deslocação da máquina empurrando/puxando, a alavanca (7) não for solta, o travão magnético da máquina permanece inactivo.

**AVISO!**

Nunca utilize a máquina com a alavanca em posição de travão eletromagnético desbloqueado. Para maior segurança, recomendamos que aperte o travão eletromagnético apenas durante o tempo estritamente necessário para a deslocação manual da máquina.

INATIVIDADE PROLONGADA DA MÁQUINA

Caso preveja não utilizar a máquina por mais de 30 dias, é oportuno executar as seguintes operações:

1. Execute as operações indicadas no parágrafo "Após a utilização da máquina".
2. Esvazie o bidão de detergente (38) do EcoFlex e limpe o equipamento com o ciclo de purga (veja o procedimento no capítulo Manutenção).
3. Feche a torneira da água de lavagem (14).
4. Prima o botão de emergência (8) para desligar o conector das baterias (9).
5. Mantenha o grupo do reservatório da água de recuperação (19) levantado com o pé de suporte (25).

MANUTENÇÃO

A duração da vida útil da máquina e sua máxima segurança de funcionamento são garantidas através de uma manutenção cuidadosa e regular.

Encontra-se indicado a seguir uma síntese do plano de manutenção programada. As periodicidades indicadas podem sofrer variações em função de condições especiais de trabalho, a serem definidas por parte do responsável da manutenção.



AVISO!

As operações devem ser efetuadas com a máquina desligada e com bateria desconectada. Além disso, leia cuidadosamente todas as instruções do parágrafo Segurança.

Todas as operações de manutenção programadas ou extraordinárias devem ser efetuadas por pessoal qualificado ou por um centro de assistência autorizar.

Neste manual estão indicados somente os procedimentos de manutenção mais simples e mais frequentes.



NOTA

Para o procedimento de outras operações de manutenção indicadas no diagrama de manutenção programada, consulte o respetivo Manual de assistência que possuem os vários Centros de assistência.

PLANO DE MANUTENÇÃO PROGRAMADA

Procedimento	Diário, após a utilização da máquina	Semanal	Semestral	Anual
Carregamento das baterias				
Limpeza do limpador				
Limpeza da escova/feltros				
Limpeza dos reservatórios, da grelha de detritos, da grelha de aspiração com bóia e controlo da junta da tampa				
Limpeza e purga do sistema EcoFlex				
Controlo e substituição das borrachas do limpador				
Limpeza do filtro da solução detergente				
Limpeza do filtro do motor do sistema de aspiração				
Controlo do nível do líquido das baterias (WET)				
Limpe a poeira externa ao redor de cada motor				
Controlo da eficiência do travão eletromagnético			(1)	
Controlo ou substituição dos carvões do motor da escova				(1)
Controlo ou substituição dos carvões do motor do sistema de aspiração				(1)
Controlo ou substituição dos carvões do motor do sistema de tração				(1)

(1) O procedimento de manutenção é de competência de um Centro de assistência Advance.

CONTROLO DAS HORAS DE TRABALHO DA MÁQUINA

1. introduza a chave de ignição (58) e posicione-a em "I".
2. Durante os primeiros 2 segundos de funcionamento da máquina, o ecrã (71) indica o número total das horas de trabalho (lavagem/secagem) efectuadas da máquina.
Coloque a chave de ignição (58) em "0".

CARREGAMENTO DAS BATERIAS

**NOTA**

Carregue as baterias quando o LED amarelo ou vermelho de aviso (62) se acender ou no final do trabalho. Manter as baterias carregadas aumenta a durabilidade das mesmas.

**ADVERTÊNCIA!**

Quando as baterias estão descarregadas, carregue logo que possível, dado que este estado provoca uma redução da vida das mesmas.

Controle a carga das baterias pelo menos uma vez por semana.

**AVISO!**

Se a máquina estiver equipada com baterias de chumbo (WET), durante o carregamento é produzido gás hidrogénio altamente explosivo. Levante o reservatório de água de recuperação durante todo o ciclo de recarga das baterias e efetue a operação apenas em áreas bem ventiladas e longe de chamas livres.

Não fume durante o carregamento das baterias.

Mantenha o grupo do reservatório aberto ou levantado com o pé de suporte (25) durante todo o ciclo de recarregamento das baterias.

**AVISO!**

Durante o carregamento das baterias WET, ter muito atenção, às eventuais fugas do líquido das baterias. O líquido é altamente corrosivo. Se entrar em contacto com a pele ou os olhos, lave com muita água e consulte um médico.

Operações preliminares

1. Coloque a máquina na área designada para o carregamento da bateria.
2. Certifique-se de que a máquina se encontra desligada com a chave de ignição (58) extraída.
3. Abra a tampa (20) e certifique-se de que o reservatório (19) está vazio. Caso contrário, esvazie-o através do tubo de descarga (24).
4. Feche a tampa (20).
5. Levante com cuidado o grupo do reservatório (44).
6. (Unicamente para as baterias WET) Controle o nível do electrólito das baterias (39). Se for necessário, desaparafuse as tampas (40) e ateste.
Após o restabelecimento do nível fechar as tampas (40) e, se necessário, limpar a superfície superior das baterias.

Carregamento das baterias

7. Ligue o cabo (41) do carregador de bateria à rede eléctrica [a tensão e a frequência de rede devem ser iguais aos valores correspondentes do carregador de bateria, indicados na placa situada na máquina).

**NOTA**

Quando o carregador de baterias está ligado à rede eléctrica, todas as funções da máquina estão automaticamente bloqueadas.

Quando o LED vermelho está ativado (62) com uma luz constante indica que o carregador de bateria está carregando as baterias.

Quando o LED amarelo está ativado (62) com uma luz constante indica que o carregador está concluindo o carregamento da bateria.

Quando o LED verde está ligado, o ciclo de carregamento das baterias está concluído.

8. Desligue o cabo (41) do carregador de baterias da rede eléctrica e insira-o no alojamento específico atrás do carregador de baterias.
9. Baixe com cuidado o grupo do reservatório (44).
10. A máquina está pronta a utilizar.

**NOTA**

Para mais informações sobre o funcionamento do carregador de bateria (16), consulte o Manual específico.

LIMPEZA DO LIMPADOR



NOTA

Para obter uma boa secagem, o limpador deve estar limpo e com as borrachas em boas condições.



ADVERTÊNCIA!

Durante a limpeza do limpador, aconselha-se o uso de luvas de trabalho devido à possível presença de detritos cortantes.

1. Coloque a máquina num pavimento plano.
2. introduza a chave de ignição (58) e posicione-a em "I".
3. Baixe o limpador (30) premindo o botão (63).
4. Coloque a chave de ignição (58) em "0".
5. Desligue o tubo de aspiração (31) do limpador.
6. Solte os volantes (34) e retire o limpador (30).
7. Lave e limpe o limpador. Em particular, remova a sujidade e detritos dos compartimentos (A, Fig. 6) e do orifício (B). Verifique que a borracha dianteira (C) e a borracha traseira (D) estão em bom estado e não apresentam cortes ou golpes, caso contrário deve substituí-las.
8. A montagem deve ser efectuada na ordem inversa em relação à desmontagem.

CONTROLO E SUBSTITUIÇÃO DAS BORRACHAS DO LIMPADOR

1. Limpe o limpador (Fig. 6) operando como indicado no parágrafo anterior.
 2. Controle que o bordo (E) da borracha dianteira (C) e o bordo (F) da borracha traseira (D) apoiem ao mesmo tempo num plano de apoio, em toda a extensão, caso contrário regule-as na altura como descrito a seguir:
 - Desengate o tirante (G), desengate a retenção (M) e regule a borracha traseira (D); depois engate a retenção e engate o tirante.
 - Desaperte os volantes (I) e regule a borracha dianteira (C), em seguida, aperte os volantes.
 3. Verifique que a borracha dianteira (C) e a borracha traseira (D) estão em bom estado e não apresentam cortes ou golpes, caso contrário deve substituí-las, como descrito a seguir. Controle que a borracha traseira não tem a aresta dianteira (J) gasta; caso contrário, vire a borracha, de modo a trocar uma aresta pela outra. Se também as outras arestas estiverem gastas, substitua a borracha, do seguinte modo:
 - Remova o tirante (G), desengate a retenção (M) e remova a fita de fixação (K), depois substitua/vire a borracha traseira (D).
 - Monte a borracha na ordem inversa em relação à desmontagem.
 - Desaparafuse os volantes (I) e remova a fita de fixação (L) e, em seguida, substitua a borracha dianteira (C).
 - Monte a borracha na ordem inversa em relação à desmontagem.
- Após a substituição (ou inversão) das borrachas, regule a altura, como descrito no ponto anterior.
4. Ligue o tubo de aspiração (31) do limpador.
 5. Instale o limpador (30) e aperte os volantes (34).
 6. Se for necessário, regule o volante de regulação do equilíbrio do limpador (35).

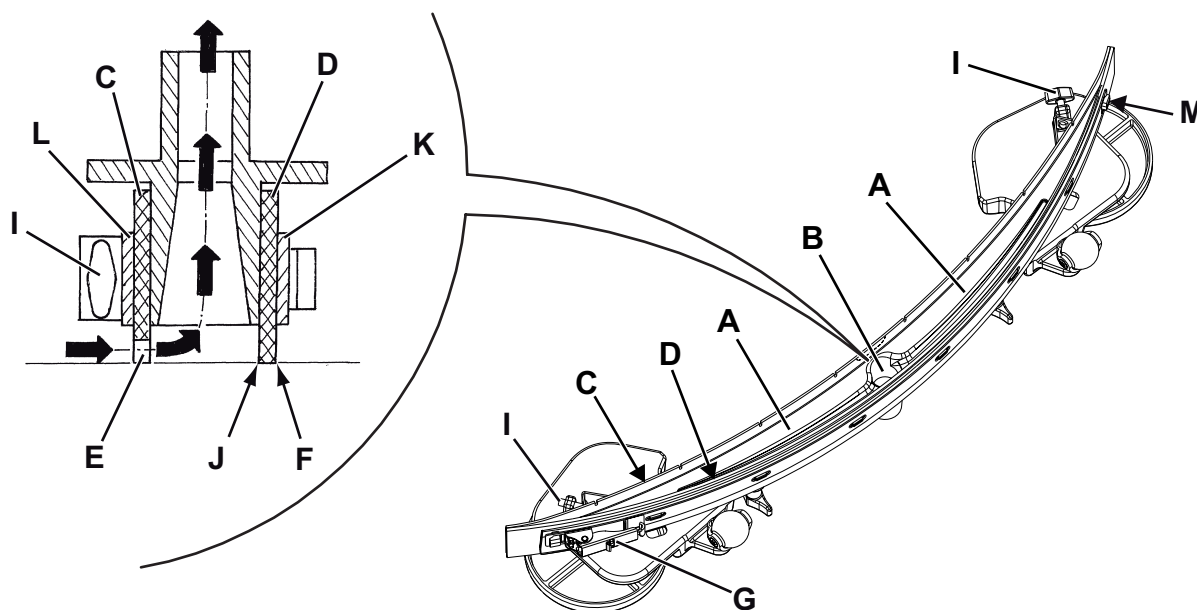


Figura 5

P100367

LIMPEZA DAS ESCOVAS



ADVERTÊNCIA!

Durante a limpeza das escovas, aconselha-se o uso de luvas de trabalho devido à possível presença de detritos cortantes.

1. Retire as escovas da máquina como indicado no capítulo operação/utilização.
2. Limpe e lave as escovas com água e detergente.
3. Controle se as cerdas da escova se mantêm eficientes e não excessivamente gastas, caso contrário substitua as escovas.

LIMPEZA DO RESERVATÓRIO DA ÁGUA DE RECUPERAÇÃO

1. Leve a máquina para a zona de despejo designada.
2. Coloque a chave de ignição (58) em "0".
3. Abra a tampa (20).
4. Limpe e lave com água limpa, a tampa (20) e o reservatório (19). Descarregue a água do reservatório com o tubo (24).
5. Limpe a grelha de aspiração (27), desengate as retenções (A, Fig. 6), abra a grelha (B) e recupere a bóia (C) e limpe com cuidado e volte a instalar.
6. Limpe o depósito com grelha de recolha de resíduos (26), desmonte o colector (G), retire a tampa (H) e limpe com cuidado e volte a instalar no tubo de aspiração.
7. Verifique o estado da junta (D) da tampa do reservatório.



NOTA

A junta (D) permite a formação de depressão no reservatório, necessária para a aspiração da água de recuperação.

Substitua, se for necessário, a junta (D) após tê-la tirado da própria sede (E). Durante a montagem da nova junta, coloque a junta (F) na zona inferior indicada na figura.

8. Verifique também que toda a superfície no perímetro (I) de apoio da junta (D) esteja em bom estado, limpa e adequada para a vedação da própria junta.
9. Feche a tampa (20).

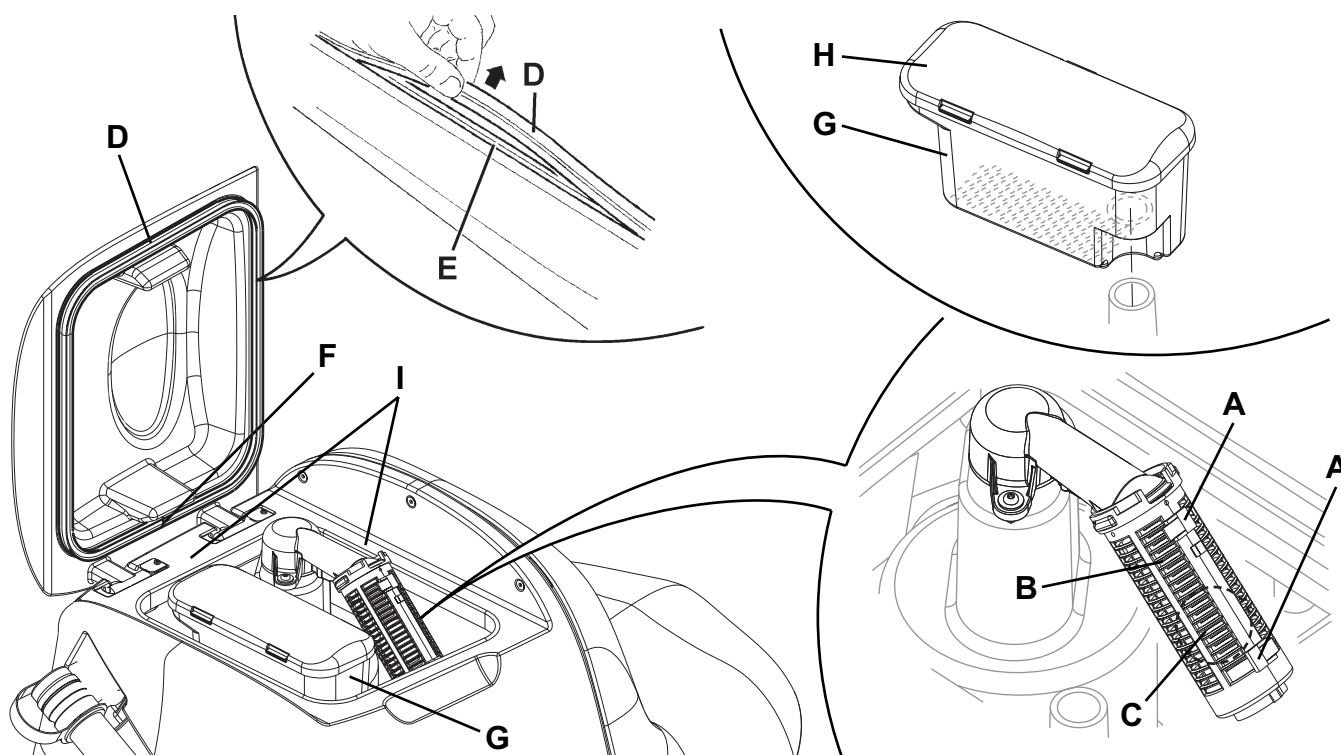


Figura 6

P100368

LIMPEZA DO FILTRO DO MOTOR DO SISTEMA DE ASPIRAÇÃO

1. Coloque a máquina num pavimento plano.
2. Coloque a chave de ignição (58) em "0".
3. Abra a tampa (20) e certifique-se de que o reservatório da água de recuperação (19) está vazio. Caso contrário, esvazie-o através do tubo de descarga (24).
4. Feche a tampa (20).
5. Levante com cuidado o grupo do reservatório (44).
6. Verifique que o filtro (37) está limpo. Se necessário, limpe-o com água e com ar comprimido e volte a instalá-lo.

LIMPEZA DO FILTRO DA SOLUÇÃO DETERGENTE

1. Coloque a máquina num pavimento plano.
2. Coloque a chave de ignição (58) em "0".
3. Feche a válvula da solução (A, Fig. 7) que se encontra sob a máquina, atrás da roda traseira direita. A torneira (A) está fechada quando estiver na posição (B) em relação aos tubos; está aberta quando estiver na posição (C).
4. Remova o copo transparente (D), recupere a junta (E) e remova a rede filtrante (F) por baixo da máquina à frente da roda traseira direita. Limpe com água e volte a montá-los no suporte (G).



NOTA

Posicione correctamente a rede filtrante (F) na sede do suporte (G).

5. Abra a torneira (A).

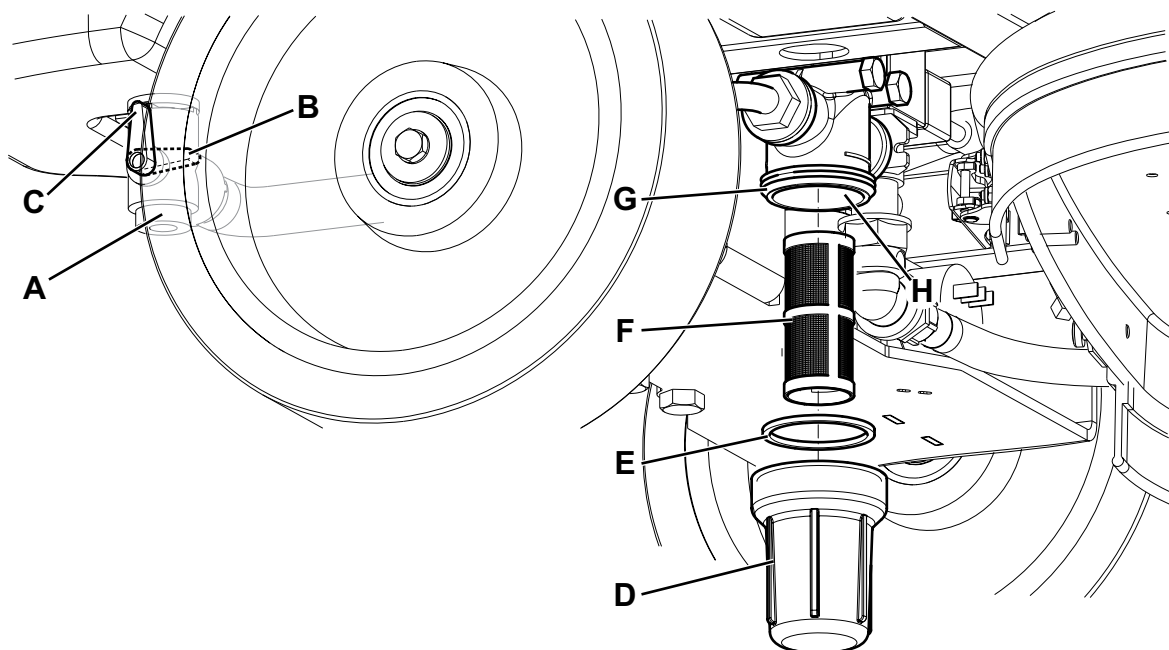


Figura 7

P100370

LIMPEZA DO COMPARTIMENTO DA BATERIA

Limpe quaisquer líquidos debaixo do compartimento de bateria (A, Fig. 8).

1. Leve a máquina para a zona de despejo designada.
2. Abra a válvula (B) debaixo do tanque de solução e esvazie o líquido na parte inferior do compartimento da bateria.

LIMPEZA DO BIDÃO DO DETERGENTE

Limpe o reservatório do detergente (42) do seguinte modo:

1. Leve a máquina para a zona de despejo designada.
2. Abra a tampa (20) e certifique-se de que o reservatório da água de recuperação (19) está vazio. Caso contrário, esvazie-o através do tubo de descarga (24). Feche a tampa (20).
3. Levante com cuidado o grupo do reservatório (44).
4. Desaparafuse a tampa e desligue o tubo (A, Fig 9) do reservatório (B).
5. Remova o bidão.
6. Lave e limpe o reservatório na zona de eliminação designada.
7. Volte a colocar o reservatório (42) no compartimento como na figura e ligue ao tubo (A).
8. Depois do esvaziamento do reservatório do detergente pode ser necessário limpar o sistema EcoFlex (consulte o procedimento no parágrafo seguinte).

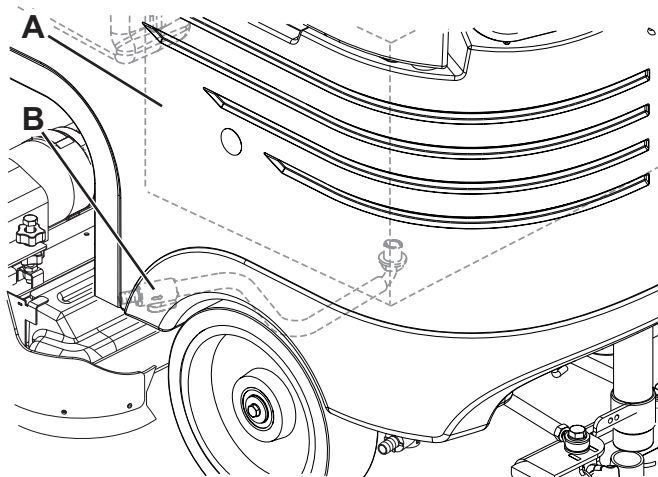


Figura 8

P100371

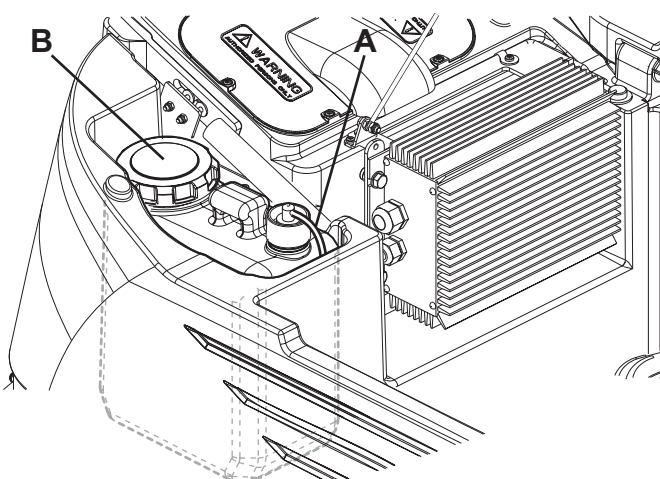


Figura 9

P100371

PURGA DO SISTEMA ECOFLEX

Limpe o reservatório do detergente como indicado no parágrafo anterior. Para remover o detergente residual presente nas canalizações e na bomba do detergente, da seguinte forma.

1. Ligue a máquina colocando a chave de ignição (58) na posição "I".
2. Premir o botão (53). Controle que o led (54) do botão se acende.
3. Prima, ao mesmo tempo, os botões (53 e 59), até o LED do botão (54) começar a piscar (após cerca de 5 segundos).
4. Solte os botões e espere que o led (54) pare de piscar e que o sistema de aspiração seja accionado.
5. aspire o detergente residual presente no chão.
6. Coloque a chave de ignição (58) em "0".
7. Levante o reservatório (19) e controle que o tubo do reservatório do detergente (42) esteja vazio, caso contrário repita os pontos 2 a 6.



NOTA

O ciclo de limpeza demora acerca de 30 segundos, depois dos quais será ativada automaticamente a função de aspiração que permite excluir os resíduos de detergente.

A operação de limpeza pode ser executada também com o bidão do detergente (42) cheio de água, obtendo assim uma lavagem profunda do sistema.

É aconselhável executar este tipo de limpeza quando o sistema EcoFlex estiver muito sujo/incrustado depois de longa inatividade/ausência de limpeza da máquina.

A operação de limpeza pode ser executada também para acelerar o enchimento do tubo do detergente quando o reservatório (42) está cheio e o sistema ainda vazio.

Se for necessário, o ciclo de purga pode ser repetido.

CONTROLO/SUBSTITUIÇÃO DOS FUSÍVEIS



NOTA

Todos os circuitos elétricos da máquina estão protegidos por dispositivos eletrónicos de reposição automática. Os fusíveis de segurança atuam apenas em caso de avaria grave. Recomenda-se portanto que a eventual substituição dos fusíveis seja exclusivamente realizada por pessoal qualificado. Consulte o Manual de assistência disponível nos revendedores Advance.

FUNÇÕES DE SEGURANÇA

A máquina possui as seguintes funções de segurança.

BOTÃO DE EMERGÊNCIA

Está situado numa posição (8) facilmente acessível por parte do operador. Deve ser premido ponderadamente em caso de necessidade imediata para parar todas as funções da máquina.

Para repor a funcionalidade da máquina, levante o grupo reservatório (44) e ligue o conector das baterias (9).

SISTEMA DE SEGURANÇA ANTIPATINAGEM

Reduz a velocidade, sempre que for necessário, ao curvar e em caso de inclinação lateral da máquina para um valor de segurança para evitar a patinagem imprevista e aumentar a estabilidade da máquina em qualquer situação.



MICROINTERRUPTOR DO ASSENTO DO CONDUTOR

Situa-se no interior do assento de condução e não permite o funcionamento do sistema de tracção da máquina se o operador não estiver sentado no assento.

TRAVÃO ELETROMAGNÉTICO

Está integrado na roda dianteira e mantém a máquina travada quando está desligada e sempre que a máquina estiver parada.

RESOLUÇÃO DE PROBLEMAS

PROBLEMA	CAUSA PROVÁVEL	SOLUÇÃO
Os motores não funcionam; nenhum LED se acende.	Conector das baterias desligado.	Ligue.
	As baterias estão descarregadas.	Carregue as baterias.
A máquina não se move e o ecrã (71) apresenta um código de erro: 	A máquina foi ligada com a chave de ignição mantendo o pedal premido.	Solte o pedal de marcha. Se o problema persistir, contacte um Centro de assistência autorizado.
Ao ligar a máquina, o LED (68) do botão One-Touch (67) pisca e as escovas não funcionam.	Antes de desligar a máquina, a cabeça do porta-escovas não foi levantada.	Espere que cabeça esteja levantada antes de voltar a accionar as escovas premindo o botão de pressão.
As escovas não funcionam; o LED vermelho de aviso pisca.	As baterias estão descarregadas.	Carregue as baterias.
Os 3 LEDs de aviso (62) piscam ao mesmo tempo.	Sobrecarga dos motores das escovas.	Utilize escovas menos agressivas ou de tipo diferente ou não trabalhe com a pressão suplementar activada.
	Presença de corpos estranhos (fios presos, etc.) que podem parar a rotação das escovas.	Limpe os cubos das escovas.
O ecrã (71) apresenta um código de erro do tipo:  em que "00" é substituído por um código diferente de "t4".	Condição de alarme do sistema eletrónico de controlo da máquina.	Desligar e voltar a ligar a máquina. Se o problema persistir, contacte um Centro de assistência autorizado.

PROBLEMA	CAUSA PROVÁVEL	SOLUÇÃO
A aspiração da água suja é insuficiente.	Reservatório de água de recuperação cheio.	Esvazie o reservatório.
	A grelha de aspiração está entupida ou a bóia está presa no fecho.	Limpar a grelha de aspiração.
	O filtro do depósito de recolha de resíduos está entupido.	Limpe.
	O tubo flexível está desligado do limpador	Ligue.
	O limpador está sujo, ou as borrachas do limpador estão gastas/danificadas.	Limpe o limpador ou substitua as borrachas.
	A tampa do reservatório não foi fechada corretamente ou a junta está estragada.	Feche corretamente a tampa ou limpe/ substitua a guarnição.
O fluxo da solução detergente para a escova é insuficiente.	O reservatório da solução detergente está vazio.	Encha.
	O filtro da solução detergente está sujo	Limpe o filtro.
	Bidão do sistema EcoFlex sujo/incrustado.	Limpe com ciclo de purga.
O limpador risca o pavimento.	Detritos presentes sob as borrachas do limpador.	Remova os detritos.
	Borrachas dos limpadores gastas, lascadas ou rasgadas.	Vire ou substitua as borrachas.
	O limpador não foi equilibrado com o manípulo.	Regule o limpador.

**NOTA**

A máquina não pode funcionar sem o carregador de bateria.

Em caso de defeito no carregador de baterias, contacte um Centro de assistência qualificado.

Para mais informações, consultar os Centros de assistência Advance.

FIM DE VIDA

Proceda ao depósito da máquina junto de um demolidor autorizado.

Antes de proceder ao depósito da máquina, é necessário remover e separar os seguintes materiais e enviá-los para o sistema de recolha separada em conformidade com a norma ambiental em vigor:

- Baterias
- Escovas
- Tubos e peças em material plástico
- Partes elétricas e eletrónicas (*)

(*) Em particular, para o depósito das partes elétricas e eletrónicas, dirija-se a um centro local da Advance.

Composição dos materiais da máquina e nível de reciclagem

Tipo	% reciclável	Percentagem de peso da máquina
Alumínio	100 %	9 %
Motores elétricos - div.	29 %	18 %
Materiais ferrosos	100 %	42 %
Cablagens	80 %	3 %
Líquidos	100 %	0 %
Plástico - não reciclável	0 %	3 %
Plástico - reciclável	100 %	1 %
Polietileno	92 %	23 %
Borracha	20 %	1 %

9435 Winnetka Avenue North
Brooklyn Park, MN 55445
www.advance-us.com
Phone: 800-989-2235
Fax: 800-989-6566
©2018 Nilfisk, Inc.

