

Advolution 20, Advolution 20XP

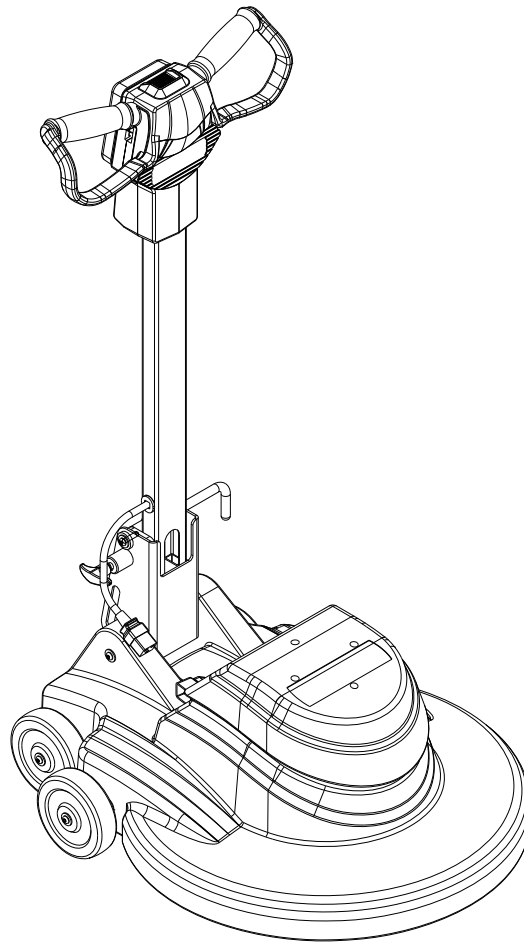
Instructions for use and Parts List

Instructions for Use and Parts List
Instrucciones de uso y lista de piezas
Mode d'emploi et liste des pièces

6/2007 revised 12/2019 REV I
Form no. 71279A

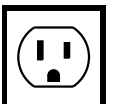


EN English (2 - 7)
ES Español (8 - 13)
FR Français (14 - 19)
PARTS LIST (21 - 27)



Advance Models:
01510A (20)
01520A (20XP)

Obsolete Models:
01510C (20)
01520C (20XP)



IMPORTANT SAFETY INSTRUCTIONS

This machine is only suitable for commercial use, for example in hotels, schools, hospitals, factories, shops and offices other than normal residential housekeeping purposes.

When using an electrical appliance, basic precautions should always be followed, including the following:

Read all instructions before using.

WARNING!

To reduce risk of fire, electric shock, or injury:

- * Do not leave the appliance when it is plugged in. Unplug the unit from the outlet when not in use and before servicing.
- * This machine is for dry use only and shall not be used or stored outdoors in wet conditions.
- * To avoid electric shock, do not expose to rain. Store indoors.
- * Do not allow to be used as a toy. Close attention is necessary when used by or near children.
- * Use only as described in this manual. Use only manufacturer's recommended attachments.
- * Do not use with damaged cord or plug. If appliance is not working as it should, has been dropped, damaged, left outdoors, or dropped into water, return it to a service center.
- * Do not pull or carry by cord, use cord as a handle, close a door on a cord, or pull cord around sharp edges or corners. Do not run appliance over cord. Keep cord away from heated surfaces.
- * Do not unplug by pulling on cord. To unplug, grasp the plug, not the cord.
- * Do not handle plug or appliance with wet hands.
- * Do not put any object into openings. Do not use with any opening blocked; keep free of dust, lint, hair, and anything that may reduce air flow.
- * Keep hair, loose clothing, fingers, and all parts of body away from openings and moving parts.
- * Turn off all controls before unplugging.
- * Use extra care when cleaning on stairs.
- * Do not use with flammable or combustible liquids such as gasoline or use in areas where they may be present.
- * This appliance is provided with double insulation. Use only identical replacement parts.
- * This machine is not suitable for picking up health endangering dust.
- * Do not use without dust bag and / or filters in place.
- * Connect to a properly grounded outlet only. See Grounding Instructions.

SAVE THESE INSTRUCTIONS

WARNING!

The Products sold with this Manual contain or may contain chemicals that are known to certain governments (such as the State of California, as identified in its Proposition 65 Regulatory Warning Law) to cause cancer, birth defects or other reproductive harm. In certain locations (including the State of California) purchasers of these Products that place them in service at an employment job site or a publicly accessible space are required by regulation to make certain notices, warnings or disclosures regarding the chemicals that are or may be contained in the Products at or about such work sites. It is the purchaser's responsibility to know the content of, and to comply with, any laws and regulations relating to the use of these Products in such environments. The Manufacturer disclaims any responsibility to advise purchasers of any specific requirements that may be applicable to the use of the Products in such environments.

GROUNDING INSTRUCTIONS

This appliance must be grounded. If it should electrically malfunction, grounding provides a path of least resistance for electric current to reduce the risk of electric shock. This appliance is equipped with a cord having an equipment-grounding conductor and grounding plug. The plug must be plugged into an appropriate outlet that is properly installed and grounded in accordance with all local codes and ordinances.

DANGER!

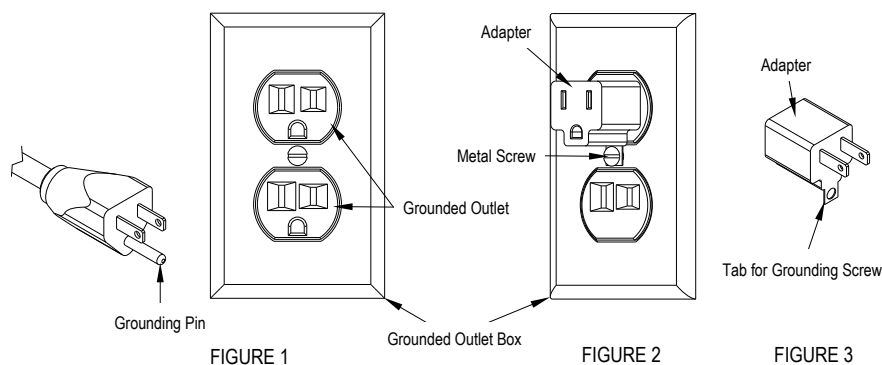
Improper connection of the equipment-grounding conductor can result in a risk of electric shock. Check with a qualified electrician or service person if you are in doubt as to whether the outlet is properly grounded. Do not modify the plug provided with the appliance. If it will not fit the outlet, have a proper outlet installed by a qualified electrician.

If this appliance is for use on a nominal 120-volt circuit, it has a grounding plug that looks like the plug illustrated in Figure 1 below. A temporary adapter illustrated in Figures 2 and 3 may be used to connect this plug to a 2-pole receptacle as shown in Figure 2 if a properly grounded outlet is not available. The temporary adapter should be used only until a properly grounded outlet (Figure 1) can be installed by a qualified electrician. The green-colored rigid ear, tab, or the like extending from the adapter must be connected to a permanent ground such as a properly grounded outlet box cover. Whenever the adapter is used, it must be held in place by a metal screw. Grounding adapters are not approved for use in Canada.

Replace the plug if the grounding pin is damaged or broken. The Green (or Green/Yellow) wire in the cord is the grounding wire. When replacing a plug, this wire must be attached to the grounding pin only.

Extension cords connected to this machine should be 12 gauge, three-wire cords with three-prong plugs and outlets. DO NOT use extension cords more than 50 feet (15 m) long.

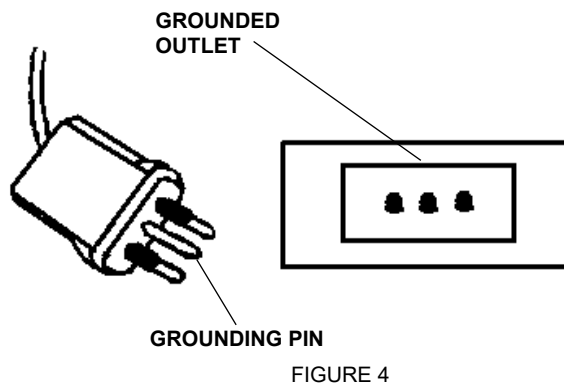
PLEASE NOTE: FOR NORTH AMERICA ONLY



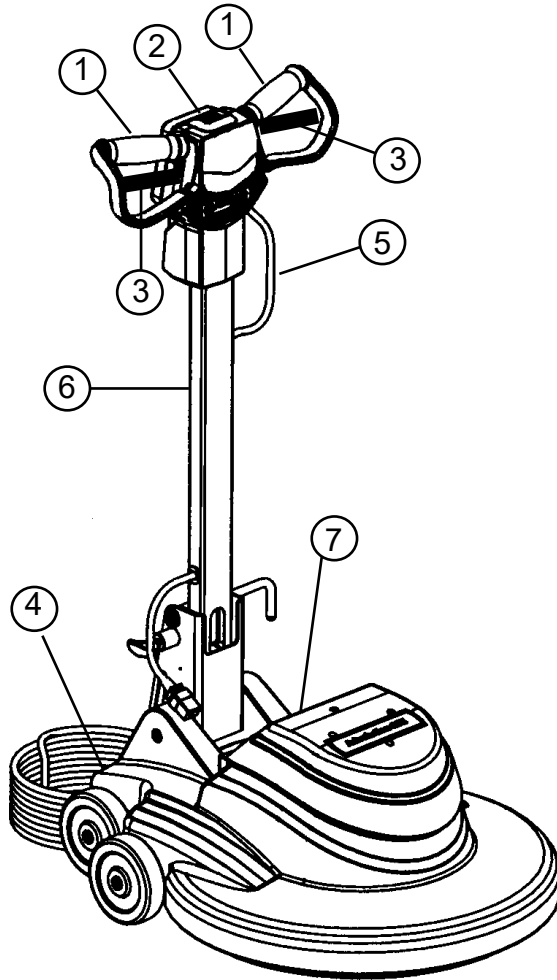
If this appliance is for use on a nominal 230-volt circuit, it has a grounding plug that looks like the plug illustrated in Figure 4 below.

Replace the plug if the grounding pin is damaged or broken. The Green (or Green/Yellow) wire in the cord is the grounding wire. When replacing a plug, this wire must be attached to the grounding pin only.

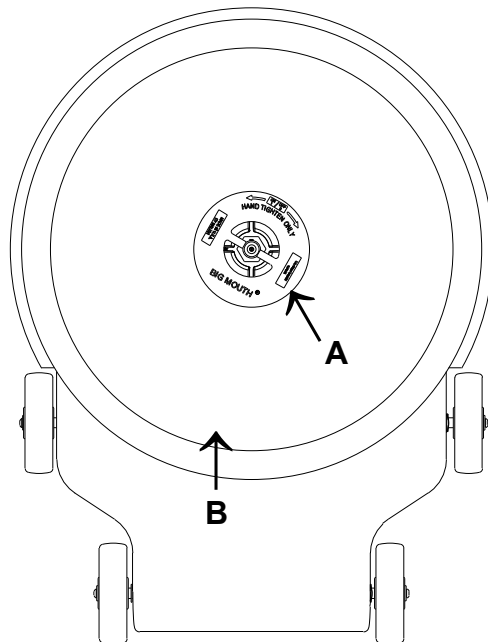
Extension cords connected to this machine should be 12 gauge, three-wire cords with three-prong plugs and outlets. DO NOT use extension cords more than 50 feet (15 m) long.



A



B



INTRODUCTION

This manual will help you get the most from your Advance floor machine. Read it thoroughly before operating the machine.

This product is intended for commercial use only.

PARTS AND SERVICE

Repairs, when required, should be performed by your Authorized Advance Service Center, who employs factory trained service personnel, and maintains an inventory of Advance original replacement parts and accessories.

Call the Advance dealer named below for repair parts or service. Please specify the Model and Serial Number when discussing your machine.

MODIFICATIONS

Modifications and additions to the cleaning machine which affect capacity and safe operation shall not be performed by the customer or user without prior written approval from Nilfisk, Inc. Unapproved modifications will void the machine warranty and make the customer liable for any resulting accidents.

NAME PLATE

The Model Number and Serial Number of your machine are shown on the Nameplate on the bottom of the machine. This information is needed when ordering repair parts for the machine. Use the space below to note the Model Number and Serial Number of your machine for future reference.

MODEL NUMBER _____

SERIAL NUMBER _____

UNCRATE THE MACHINE

When the machine is delivered, carefully inspect the shipping carton and the machine for damage. If damage is evident, save the shipping carton so that it can be inspected. Contact the Advance Customer Service Department immediately to file a freight damage claim (phone number is provided on the back cover of this manual).

(A)-KNOW YOUR MACHINE

- 1 Operator Handle Grips
- 2 Switch Lever Safety Lock Button
- 3 Switch Levers - Squeeze - ON / Release - OFF
- 4 Handle Release Latch
- 5 Power Cord
- 6 Operator Handle
- 7 Motor Brush Wear Indicator Light

PREPARING THE FLOOR

Before each use of this machine, the floor must be clean and completely dry. Clean the floor with an automatic floor scrubber or a damp mop, using a solution of water and neutral cleaner.

CAUTION!

This machine should be used only on floors that are coated with a floor finish suitable for burnishing. Contact your local Advance Distributor for further information on floor finishing products.

PREPARING THE MACHINE FOR USE

WARNING!

This machine contains moving parts. To reduce the risk of injury, always unplug the power cord before servicing.

B - INSTALLING THE PAD

To install a pad, tip the machine back on it's handle. Remove the Pad Retainer "A" (in the center of the pad holder) by turning counter-clockwise to loosen. Put the proper size Pad "B" on the Pad Holder Hub "C". Re-install the Pad Retainer "A" by turning clockwise to tighten.

OPERATION

- 1 Unwrap the Power Cord (5) and plug it in to an outlet.
- 2 Unlatch the Operator Handle (6) by pushing forward on the Handle Release Latch (4) with your foot. Continue to hold latch (4) while pulling the handle (6) back. It is normal for the base of the machine to lift off of the floor slightly when the handle is lowered. It will pull itself down against the floor as soon as the motor is started.
- 3 Hold one of the Operator Hand Grips (1) firmly, push the Safety Lock Button (2) and then compress the Switch Levers (3) to start the motor. **NOTE:** The Safety Lock Button (2) will not depress unless the Operator Handle (6) has been released and tilted back into the operating position. When the dual controlled Switch Levers (3) are released, the machine shuts off immediately.
- 4 Push the machine forward in a straight line, at a slow walking speed. Overlap each pass about 1-3 inches (25-75 mm).
- 5 When using a polishing pad, check every 15 minutes to see if the pad is loaded up with wax and dirt. If it is, turn the pad over to expose the clean side, or install a clean pad.

AFTER USE

- 1 Lift the Operator Handle (6) until it locks in the upright position.
NOTE: The Safety Lock Button (2) will not depress unless the Operator Handle (6) has been released and tilted back into the operating position. This will prevent the motor from being engaged while Operator Handle (6) is in the storage position.
- 2 Unplug the Power Cord (5) and wrap it around the Handle Release Latch (4) and the right Operator Handle Grip (1).
- 3 Check the skirt around the dust control housing. The skirt should be replaced if it is worn out or torn.
- 4 Remove the pad from the machine. Clean the pad and hang it up to dry. Allow buffing pads to dry completely before using again.
- 5 Wipe the entire machine with a clean, damp cloth.
- 6 Inspect the entire machine and all accessories for damage. Perform any required maintenance or repairs before storage.
- 7 Store the machine in a clean, dry place with the Operator Handle (6) locked in the upright position.

MAINTENANCE

C - DUST COLLECTION BAG

The dust collection bag should be removed and replaced after about every 20 hours of use. Tip the machine back onto its handle (6), the same as you would if you were changing the pad. Squeeze in on the sides of the bag cover "A" and remove it from the machine. Remove the dust bag "B" (being careful not to spill any debris) and discard. Tip the machine back upright. Push in on the sides of the new bag "B" to pop-it-open and install it by pushing it down (grip the cardboard base of the bag) onto the (2) tubes protruding from the base. Re-install the cover "A".

MOTOR BRUSHES

This machine is equipped with a motor brush wear indicator light. If this light comes on during use, contact your local Advance distributor to have the motor serviced.

NOTE: If the supply cord is damaged, it must be replaced by the manufacturer or its service agent or a similarly qualified person in order to avoid a hazard.

CAUTION!

The motor can be severely damaged if the machine is used for an extended period of time with the light glowing.

TROUBLESHOOTING

SWIRL MARKS

- Floor not clean.
- Area not properly swept - debris in pad or brush.
- Improper pad for the job.
- Moving the machine too fast.

CIRCLES ON THE FLOOR

- Machine standing still while the pad is running.

FLOOR FINISH REMOVED

- Improper pad...too aggressive.
- Moving the machine too slowly.

MACHINE VIBRATES DURING OPERATION

- Defective pad... one side is more dense than the other.
- Machine left sitting on pad for extended period of time causing pad to "take a set".
- Pad not "seated" properly into pad holder bristles..
- Pad not centered on pad holder periphery.
- Pad not rated for RPM of high speed burnisher.
- Defective pad driver. Remove pad, hold machine up off of floor with handle and start machine. If machine vibrates, replace pad driver.

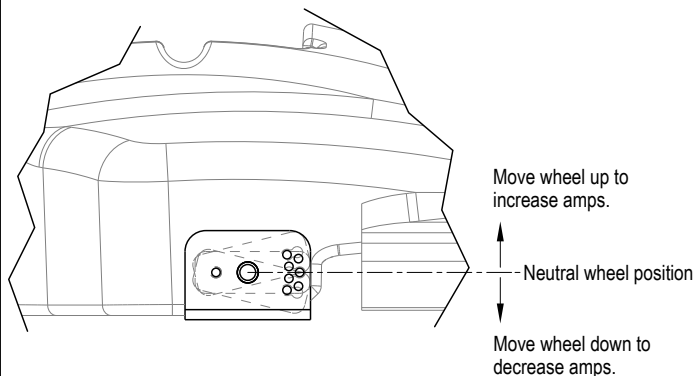
MACHINE DOES NOT RUN

- Check plug for proper connection - on machine and at wall outlet.
- Check building circuit breaker.
- Call for service.

MACHINE STALLS OR TRIPS BREAKERS

- Adjust wheel height to lower the average amperage in the application to a range between 9-13 amps. **See Detail 1 below.**
- Call for service if required.

Detail 1



TECHNICAL SPECIFICATIONS (as installed and tested on the unit)

Model	Advolution 20	Advolution 20XP
Model Number	01510A	01520A
Motor	1.5 hp (1.1 kW), 120V	1.5 hp (1.1 kW), 120V
Pad Speed	1,500 rpm	2,000 rpm
Pad Size	20" (51 cm)	20" (51cm)
Wheels	5" (13 cm)	5" (13 cm)
Cord Length	75' (23 m)	75' (23 m)
Height w/Handle	46" (117 cm)	46" (117 cm)
Weight (w/cord)	81 lbs. (36.8 kg)	83 lbs (37.7 kg)
Construction:		
Handle Tube	Tubular Steel	Tubular Steel
Base	Polyethylene	Polyethylene

Model	Advolution 20	Advolution 20XP
Model Number	01510C	01520C
Motor	1.5 hp (1.1 kW), 230V	1.5 hp (1.1 kW), 230V
Pad Speed	1,500 rpm	2,000 rpm
Pad Size	20" (51 cm)	20" (51cm)
Wheels	5" (13 cm)	5" (13 cm)
Cord Length	75' (23 m)	75' (23 m)
Height w/Handle	46" (117 cm)	46" (117 cm)
Weight (w/cord)	81 lbs. (36.8 kg)	83 lbs (37.7 kg)
Construction:		
Handle Tube	Tubular Steel	Tubular Steel
Base	Polyethylene	Polyethylene

INSTRUCCIONES DE SEGURIDAD IMPORTANTES

Esta máquina únicamente es apropiada para el uso comercial, por ejemplo, en hoteles, escuelas, hospitales, fábricas, negocios y oficinas y no para ser utilizada en la limpieza doméstica normal.

Al usar un artefacto eléctrico es necesario tomar precauciones básicas en todo momento, incluyendo:

Lea todas las instrucciones antes de usar el artefacto.

¡ADVERTENCIA!

Para reducir el riesgo de incendio, descargas eléctricas o lesiones:

- * No deje el artefacto enchufado. Desconecte la unidad del tomacorriente cuando no la utiliza y antes de realizar el mantenimiento de la misma.
- * This machine is for dry use only and shall not be used or stored outdoors in wet conditions.
- * Para evitar descargas eléctricas, no exponga la unidad a la lluvia. Guarde la unidad en un lugar cerrado, bajo techo.
- * No permita que se utilice como un juguete. Hay que prestar mucha atención si la máquina es utilizada por niños o se usa cerca de ellos.
- * Use la máquina únicamente como se describe en este manual. Use únicamente accesorios recomendados por el fabricante.
- * No utilice la máquina si el cable o el enchufe están dañados. Si la máquina no funciona correctamente, se ha caído, ha sufrido daños, ha sido dejada a la intemperie, o se ha caído al agua, llévela a un centro de servicio.
- * No tire del cable ni arrastre la máquina tirando del mismo, no lo utilice como si fuese una manija, no cierre la puerta sobre él, ni lo doble alrededor de esquinas o bordes cortantes. No deje que la máquina pise el cable durante el uso. Mantenga el cable lejos de superficies calientes.
- * No desenchufe la máquina tirando del cable. Para desenchufar, tome el enchufe, no el cable.
- * No manipule el enchufe ni la aspiradora con las manos húmedas.
- * No introduzca objetos en las aberturas. No use la máquina si alguna de las aberturas está bloqueada; manténgala libre de polvo, pelusa, cabellos y de cualquier otro elemento que pueda reducir el flujo de aire.
- * Mantenga el cabello, la vestimenta floja, los dedos y el resto cuerpo lejos de aberturas y partes móviles.
- * Apague todos los controles antes de desenchufar.
- * Trabaje con extremo cuidado cuando realiza la limpieza de escaleras.
- * No use la máquina con líquidos combustibles o inflamables, tales como gasolina, ni en los lugares donde puede haber fluidos de ese tipo.
- * El presente artefacto cuenta con aislamiento doble. Utilice únicamente piezas de reemplazo idénticas.
- * Esta máquina no es adecuada para recoger residuos peligrosos para la salud.
- * No utilice la máquina si la bolsa y/o los filtros para el polvo no están en su lugar.
- * Conecte la máquina únicamente en un tomacorriente con adecuada conexión a tierra. Lea las instrucciones para conexión a tierra.

GUARDE ESTAS INSTRUCCIONES

ADVERTENCIA:

Los Productos a la venta en este Manual contienen, o pueden contener, productos químicos reconocidos por algunos gobiernos (como el Estado de California, según lo indica en su Proposición 65, Ley de Advertencia Regulatoria) como causantes de cáncer, defectos de nacimiento u otros daños reproductivos. En algunas jurisdicciones (incluido el Estado de California), los compradores de estos Productos que los coloquen en servicio en un emplazamiento laboral o en un espacio de acceso público tienen la obligación regulatoria de realizar determinados avisos, advertencias o divulgaciones respecto de los productos químicos contenidos o posiblemente contenidos en los Productos utilizados en tal lugar. Es la responsabilidad del comprador conocer y cumplir con todas las leyes y reglamentaciones relacionadas con el uso de estos Productos en tales entornos. El Fabricante niega toda responsabilidad de informar a los compradores sobre requisitos específicos que pueden regir el uso de los Productos en tales entornos.

INSTRUCCIONES DE CONEXIÓN A TIERRA

Esta máquina debe estar conectada a tierra. Si funcionase mal eléctricamente, la conexión a tierra brinda una ruta de menor resistencia para la corriente eléctrica, con lo que se reduce el riesgo de descargas eléctricas. Este artefacto está equipado con un cable que cuenta con un conductor para conexión a tierra del equipo y con un enchufe de conexión a tierra. El enchufe debe insertarse en un tomacorriente adecuado, que esté correctamente instalado y conectado a tierra según todos los códigos y regulaciones locales.

⚠ ¡PELIGRO!

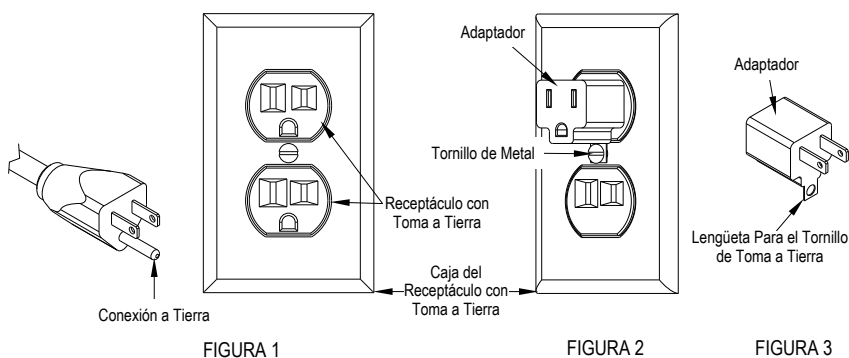
Una mala conexión del conductor de la toma de tierra del equipo puede resultar en un riesgo de descarga eléctrica. Consulte con un electricista acreditado o con el personal del servicio técnico en caso de tener dudas respecto de la conexión a tierra. No modifique el enchufe que se suministra con el artefacto. Si no es adecuado para el tomacorriente, haga que un electricista acreditado le instale un tomacorriente adecuado.

Este artefacto debe utilizarse en un circuito con 120 voltios de tensión nominal, y cuenta con un enchufe con conexión a tierra que es similar al enchufe que se muestra en la Figura 1 más abajo. Puede utilizarse un adaptador temporal que se ilustra en las figuras 2 y 3 para conectar este enchufe a un receptáculo de 2 polos, tal y como se ve en la Figura 2, si no dispone de un tomacorriente adecuado. El adaptador temporal debe usarse sólo hasta que un electricista acreditado pueda instalar un tomacorriente debidamente conectado a tierra (Figura 1). La orejeta, lengüeta o accesorio similar de color verde, que sale del adaptador, debe ser conectado a una toma de tierra permanente, como por ejemplo la cubierta de la caja de un tomacorriente adecuadamente conectado a tierra. Siempre que se utilice el adaptador, hay que mantenerlo fijo en su lugar mediante un tornillo metálico. En Canadá no se permite el uso de adaptadores de toma de tierra.

Si la terminal de tierra está dañada o rota, cambie el enchufe. El hilo verde (o verde/amarillo) del cable es el hilo de tierra. Al cambiar el enchufe, este hilo se debe adosar únicamente a la terminal de tierra.

Los cables de extensión conectados a esta máquina deben ser de calibre 12, de tres hilos, con enchufes y tomacorrientes de tres puntas. NO USE cables de extensión que superen 50 pies (15 m) de longitud.

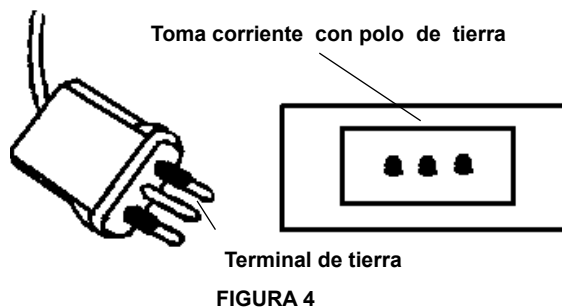
NOTA: ÚNICAMENTE PARA NORTEAMÉRICA



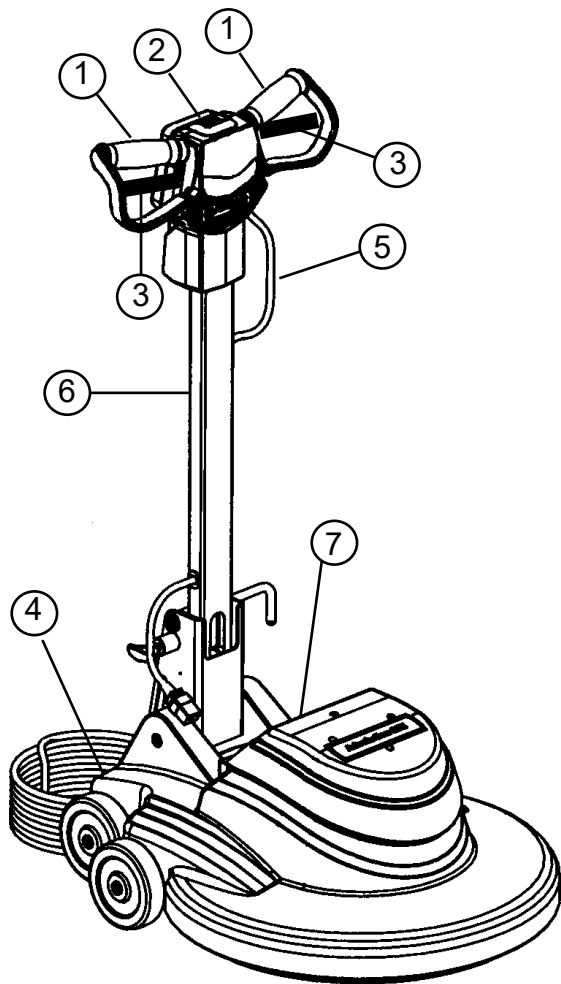
Este artefacto debe utilizarse en un circuito con 230 voltios de tensión nominal, y cuenta con un enchufe con conexión a tierra que es similar al enchufe que se muestra en la Figura 4 más abajo.

Si la terminal de tierra está dañada o rota, cambie el enchufe. El hilo verde (o verde/amarillo) del cable es el hilo de tierra. Al cambiar el enchufe, este hilo se debe adosar únicamente a la terminal de tierra.

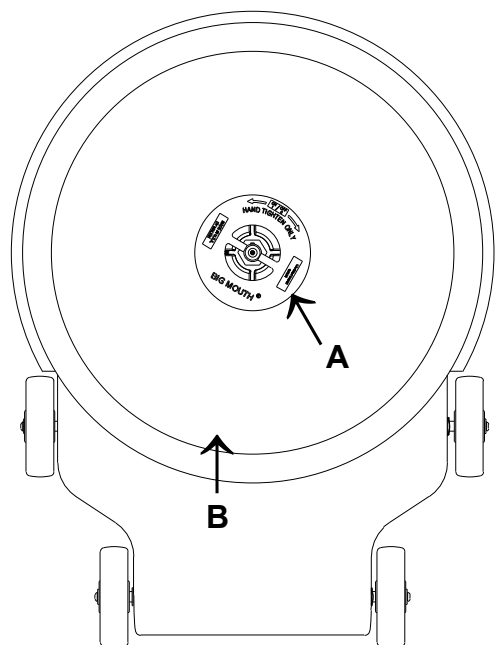
Los cables de extensión conectados a esta máquina deben ser de calibre 12, de tres hilos, con enchufes y tomacorrientes de tres puntas. NO USE cables de extensión que superen 50 pies (15 m) de longitud.



A



B



INTRODUCCIÓN

Este manual lo ayudará a aprovechar al máximo su máquina para pisos Advance. Léalo a fondo antes de poner la máquina en funcionamiento.

Este producto se ha fabricado para el uso comercial.

PIEZAS Y MANTENIMIENTO

Cuando sea necesario realizar reparaciones, las mismas deben ser efectuadas por el Centro de Servicios autorizado de Advance, el cual emplea personal de mantenimiento capacitado en fábrica y dispone de un inventario de piezas de recambio y accesorios originales Advance.

Llame al distribuidor Advance citado más adelante para obtener piezas de reemplazo o servicios de mantenimiento. Al referirse a la máquina, por favor especifique el modelo y número de serie de la misma.

MODIFICACIONES

Las modificaciones y los agregados a la máquina de limpieza que afecten su capacidad y su funcionamiento seguro no serán realizados por el cliente o el usuario sin la autorización previa y por escrito de Nilfisk, Inc. Las modificaciones que no cuenten con la aprobación correspondiente anularán la garantía de la máquina y harán que el cliente sea responsable de cualquier accidente resultante.

PLACA DE IDENTIFICACIÓN

El número de modelo y el número de serie de su máquina aparecen en la placa de identificación ubicada en la parte inferior de la máquina. Es necesario contar con esta información para realizar pedidos de piezas de recambio para la máquina. Use el espacio provisto o a continuación para anotar el número de modelo y el número de serie de su máquina para referencia futura.

NÚMERO DE MODELO _____

NÚMERO DE SERIE _____

DESEMBALAJE DE LA MÁQUINA

Cuando reciba la máquina, inspeccione con cuidado la caja de embarque y la máquina, para verificar si hay algún daño. Si hay algún daño evidente, guarde la caja de embarque de modo que se la pueda inspeccionar. Comuníquese con el Departamento de Atención al Cliente de Advance inmediatamente para presentar un reclamo por daños en el flete (el número de teléfono aparece en la contratapa de este manual.)

(A)-FAMILIARÍCESE CON SU MÁQUINA

- 1 Manijas para el operador
- 2 Botón de cierre de seguridad de la palanca de maniobras
- 3 Palancas de maniobras - Apretar - ENCENDIDO (ON) / Aflojar - APAGADO (OFF)
- 4 Palanca de compresión para soltar la manija
- 5 Cable de energía
- 6 Manija para el operador
- 7 Luz indicadora de desgaste del cepillo accionado por motor.

PREPARACIÓN DEL SUELO

Antes de utilizar la máquina, el suelo debe estar limpio y completamente seco. Limpiar el suelo con una fregadora de suelos automática o una fregona humedecida, utilizando una solución acuosa y un limpiador neutro.



¡PRECAUCIÓN!

Esta máquina sólo debe utilizarse en suelos que estén recubiertos con un acabado de suelo adecuado para su bruñido. Contactar a su Agente local de Advance para más información de los productos de acabado de suelos.

PREPARACIÓN DE LA MÁQUINA PARA SU USO



¡ADVERTENCIA!

Piezas mecánicas - Para reducir el riesgo de lesión, desenchufar el aparato antes de efectuar trabajos de reparación o mantenimiento.

(B) - INSTALACIÓN DEL DISCO

Para instalar el disco, bascular la máquina sobre el manillar. Quitar el retén «A» del disco (situado en el centro del soporte del disco) y girarlo en sentido antihorario para aflojarlo extraerlo. Colocar el disco «B» del tamaño adecuado sobre el centro del soporte del disco «C». Volver a colocar el retén «A» del disco girándolo en sentido horario para apretar.

FUNCIONAMIENTO

- 1 Desenroscar el cable de corriente (5) y enchufarlo a la toma.
- 2 Desbloquear el manillar del operador (6) tirando hacia adelante el pestillo de desenganche del manillar (4) con el pie. Mantener el pestillo sujeto (4) mientras se tira del manilla (6) hacia atrás. Es normal que la base de la máquina se levante del suelo ligeramente al bajar el manillar. Se colocará en su posición de nuevo al poner en marcha el motor.
- 3 Sostener una de las asas del manillar del operador (1) con fuerza, presionar el botón de bloqueo de seguridad (2) y a continuación apretar las palancas de los interruptores (3) para arrancar el motor. **NOTA:** El botón de bloqueo de seguridad (2) no bajará a menos que el manillar del operador (6) se haya desenganchado y balanceado hacia atrás en su posición de funcionamiento. Cuando se sueltan las palancas de los interruptores dobles (3), la máquina se apaga inmediatamente.
- 4 Hacer avanzar la máquina en línea recta, a una velocidad de paso lento. Volver a recorrer cada paso cada 25-75 mm.)
- 5 Al utilizar un disco de pulido, verificar cada 15 minutos para ver si el disco tiene cera o está sucio. Si lo está, girar el disco para que la parte limpia quede visible, o colocar uno de nuevo.

DESPUÉS DE UTILIZAR

- 1 Levantar el manillar del operador (6) hasta que se bloquee en su posición vertical. **NOTA:** El botón de bloqueo de seguridad (2) no bajará a menos que el manillar del operador (6) se haya desenganchado y balanceado hacia atrás en su posición de funcionamiento. Así se evitará que el motor quede en marcha mientras el manillar del operador (6) esté en la posición de almacenaje.
- 2 Desenchufar el cable de corriente (5) y enrollarlo alrededor del pestillo de desenganche del manillar (4) y el asa derecha del manillar del operador (1).
- 3 Verificar el faldón que hay alrededor del alojamiento de control del polvo. Se debe cambiar el faldón si está gastado o desgarrado.
- 4 Quitar el disco de la máquina. Limpiar el disco y tenderlo para que se seque. Dejar secar los discos antes de volverlos a utilizar.
- 5 Pasar un paño limpio y húmedo por toda la máquina.
- 6 Inspeccionar que toda la máquina y sus accesorios no estén dañados. Efectuar cualquier trabajo de mantenimiento o reparación necesario antes de guardar la máquina.
- 7 Guardar la máquina en un lugar limpio y seco con el manillar del operador (6) bloqueado en la posición vertical.

MANTENIMIENTO

C - BOLSA DE RECOGIDA DE POLVO

La bolsa de recogida de polvo se tiene que quitar y cambiar transcurridas aproximadamente 20 horas de uso. Balancear la máquina hacia atrás sobre su manillar (6), del mismo modo que al cambiar el disco. Apretar a ambos lados de la tapa «A» de la bolsa y extraerla de la máquina. Quitar la bolsa de polvo «B» (vigilando de no verter los escombros) y desecharla. Volver a poner la máquina en posición vertical. Presionar ambos lados de la nueva bolsa «B» para que se abra e introducirla (cogerla por la base de cartón) sobre los (2) tubos que sobresalen de la base. Volver a colocar la tapa «A».

ESCOBILLAS DEL MOTOR

Esta máquina viene equipada con una luz que indica el desgaste de las escobillas del motor. Si la luz se enciende durante el funcionamiento de la máquina, contactar a su agente Advance local para que realiza el servicio del motor.

NOTA: Si el cable eléctrico se daña, debe reemplazarlo el fabricante o su agente de servicio o una persona de cualificación similar para evitar cualquier tipo de peligro.

⚠ ¡PRECAUCIÓN!

El motor se puede dañar gravemente si la máquina se utiliza durante un largo período de tiempo con la luz encendida.

LOCALIZACIÓN DE AVERÍAS

MARCAS EN FORMA DE TORBELLINO

- EL suelo no está limpio
- La zona no se barrido correctamente - hay escombros en el disco o en el cepillo
- Disco no adecuado para la tarea a realizar.
- La máquina está siendo deslizada demasiado rápidamente.

CÍRCULOS EN EL SUELO

- La máquina no avanza cuando el disco sigue girando.

EL ACABADO DEL SUELO SALTA

- Disco no adecuado... demasiado agresivo.
- La máquina es desplazada demasiado lentamente.

LA MÁQUINA VIBRA DURANTE LA OPERACIÓN

- Disco defectuoso... un lado es más denso que el otro.
- Se ha dejado la máquina apoyada sobre el disco demasiado tiempo lo cual ha provocado que el disco se haya deformado.
- El disco no está bien «asentado» en los anclajes de su soporte.
- El disco no está centrado en la periferia del soporte del disco
- El disco no tiene la capacidad para las revoluciones por minuto (RPM) de la bruñidora de alta velocidad
- El motor del disco es defectuoso. Retire el disco, sostenga a la máquina elevada del piso con la manija y arranque la máquina. Si la máquina vibra, reemplace el motor del disco.

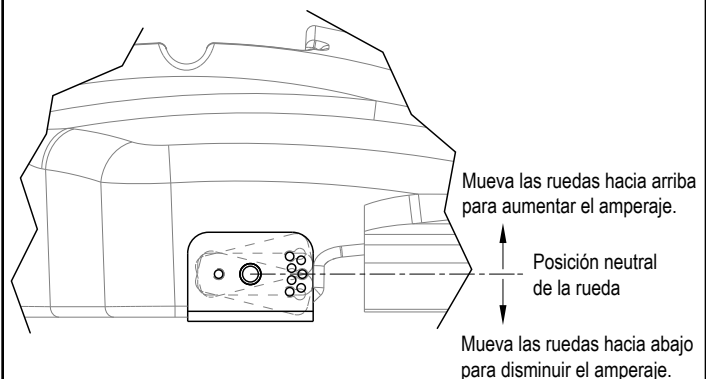
LA MÁQUINA NO FUNCIONA

- Comprobar que el enchufe esté bien conectado en la máquina y en la toma de pared.
- Verificar el disyuntor del circuito del edificio.
- Pedir asistencia.

LA MÁQUINA SE PARA O EL DISYUNTOR SE DESCONECTA

- Ajuste la altura de la rueda para bajar el amperaje medio en la aplicación a un rango entre 9-13 amp. **Vea el detalle 1 abajo.**
- Si necesario llame al servicio.

Detalle 1



ESPECIFICACIONES TÉCNICAS (según la instalación y las pruebas de la unidad)

Modelo	Advolution 20	Advolution 20XP
Número de modelo	01510A	01520A
Motor	1.5 cv (1.1 kW), 120V	1.5 cv (1.1 kW), 120V
Velocidad de la almohadilla	1,500 rpm	2000 rpm
Tamaño de la almohadilla	20" (51 cm)	20" (51 cm)
Ruedas	5" (13 cm)	5" (13 cm)
Longitud del cable	75' (23 m)	75' (23 m)
Peso con manija	46" (117 cm)	46" (117 cm)
Peso (con cable)	81 lbs. (36.8 kg)	83 lbs (37.7 kg)
Construcción:		
Tubo de la manija	Acero tubular	Acero tubular
Base	Polyethylene	Polyethylene

Modelo	Advolution 20	Advolution 20XP
Número de modelo	01510C	01520C
Motor	1.5 cv (1.1 kW), 230V	1.5 cv (1.1 kW), 230V
Velocidad de la almohadilla	1,500 rpm	2000 rpm
Tamaño de la almohadilla	20" (51 cm)	20" (51 cm)
Ruedas	5" (13 cm)	5" (13 cm)
Longitud del cable	75' (23 m)	75' (23 m)
Peso con manija	46" (117 cm)	46" (117 cm)
Peso (con cable)	81 lbs. (36.8 kg)	83 lbs (37.7 kg)
Construcción:		
Tubo de la manija	Acero tubular	Acero tubular
Base	Polyethylene	Polyethylene

CONSIGNES DE SÉCURITÉ IMPORTANTES

Cette machine est destinée à un usage commercial et peut, entre autres, être utilisée dans les hôtels, écoles, hôpitaux, usines, magasins et bureaux. Elle n'a donc pas été conçue pour l'entretien ménager.

Lorsque vous utilisez un appareil électrique, il y a certaines règles de base que vous devez toujours observer, dont celle énoncée ci-après.

Lire toutes les instructions avant d'utiliser l'appareil.

ATTENTION!

Afin de réduire les risques d'incendie, de décharge électrique ou de blessure:

- * Ne laissez pas l'appareil branché sur le secteur. Débranchez-le lorsque vous ne l'utilisez pas et avant de procéder à son entretien.
- * Afin d'éviter tout risque de décharge électrique, n'exposez pas l'appareil à la pluie. Rangez la machine à l'intérieur d'un bâtiment.
- * Ne permettez pas qu'on l'utilise comme un jeu. Faites très attention lorsque l'appareil est utilisé par ou à proximité d'enfants.
- * N'utilisez cet appareil que tel qu'il est décrit dans ce manuel. N'utilisez que les accessoires recommandés par le fabricant.
- * N'utilisez pas l'appareil si le cordon ou la prise sont endommagés. Si l'appareil ne fonctionne pas correctement, est tombé, endommagé, resté à l'extérieur voire même tombé dans l'eau, renvoyez-le au centre d'entretien.
- * Ne tirez et ne portez pas l'appareil par le cordon électrique. Ne l'utilisez pas non plus comme poignée et ne l'enroulez pas autour d'objets pointus ou tranchants. Évitez également de refermer une porte sur le cordon. Évitez de faire rouler l'appareil sur le cordon. Gardez le cordon à l'écart de toute surface chauffée.
- * Ne débranchez pas l'appareil en tirant sur le cordon. Pour ce faire, saisissez la prise et non le cordon.
- * Ne manipulez pas la prise, le cordon ou l'appareil avec les mains humides.
- * N'introduisez aucun objet dans les ouvertures de l'appareil. N'utilisez pas l'appareil si l'une de ses ouvertures est bloquée. Veillez à ce que rien ne réduise le flux d'air : poussières, cheveux, peluches, etc.
- * Prenez toutes les mesures nécessaires afin d'éviter que les cheveux, doigts, bijoux ou vêtements amples ne soient entraînés dans les parties mobiles de la machine ou pris dans une de ses ouvertures.
- * Éteignez toutes les commandes avant de débrancher l'appareil.
- * Faites très attention lorsque vous nettoyez les escaliers.
- * N'utilisez pas la machine avec des liquides inflammables ou combustibles tels que l'essence ou à proximité de telles substances.
- * Cet appareil est fourni avec une double isolation. Veuillez utiliser des pièces de rechange identiques.
- * Cette machine n'est pas conçue pour aspirer de la poussière dangereuse pour la santé.
- * N'utilisez pas cette machine si le sac à poussière et/ou les filtres ne sont pas en place.
- * Connectez uniquement l'appareil à une prise correctement mise à la terre. Voir Instructions de mise à la terre.

CONSERVEZ SOIGNEUSEMENT CES INSTRUCTIONS

AVERTISSEMENT !

Les produits vendus avec le présent manuel contiennent ou peuvent contenir des produits chimiques reconnus par certains gouvernements (comme l'État de Californie, par le biais de la proposition de loi d'avertissement réglementaire 65) comme provoquant des cancers, des anomalies congénitales et autres dangers pour la reproduction. Dans certains endroits (comme l'État de Californie), les acheteurs de ces Produits, qui les utilisent sur un lieu de travail ou dans un espace public, ont l'obligation d'apposer certains avis, avertissements ou informations concernant les produits chimiques qui sont ou peuvent être contenus dans les Produits dans ces lieux ou aux alentours de ces lieux de travail. Il incombe à l'acheteur de connaître les dispositions de, et de respecter, toutes les lois et réglementations ayant trait à l'utilisation de ces Produits au sein de tels environnements. Le Fabricant rejette toute responsabilité d'informer les acheteurs concernant des exigences spécifiques qui peuvent s'appliquer à l'utilisation des Produits dans de tels environnements.

INSTRUCTIONS DE MISE À LA TERRE

Cet appareil doit être mis à la terre. En cas de mauvais fonctionnement, la mise à la terre établit un trajet de moindre résistance pour le courant électrique pour réduire le risque de décharge électrique. Cet appareil est équipé d'un cordon doté d'un conducteur de mise à la terre de l'équipement et d'une prise de mise à la terre. La prise doit être branchée dans une sortie appropriée correctement installée et mise à la terre en accord avec tous les codes et consignes locaux.

⚠ DANGER!

Un conducteur de mise à la terre d'équipement incorrectement branché peut entraîner un risque de décharge électrique. Vérifiez avec un électricien ou un technicien qualifié si vous doutez de la mise à la terre correcte de la sortie. Ne modifiez pas la prise fournie avec l'appareil. Si elle ne peut être branchée, faites installer une sortie appropriée par un électricien qualifié.

Cet appareil est destiné à être utilisé sur un circuit de 120 volts et possède une prise de mise à la terre illustrée sur la figure 1. Un adaptateur temporaire illustré sur les figures 2 et 3 peut être utilisé pour brancher cette dernière sur une prise fixe bipolaire, illustrée sur la figure 2, si une sortie correctement mise à la terre n'est pas disponible. L'adaptateur temporaire pourra être utilisé jusqu'à ce qu'une prise correctement mise à la terre (figure 1) soit installée par un électricien qualifié. La patte rigide, l'attache de couleur verte, ou autres du même genre, de l'adaptateur doit être connectée à une mise à la terre permanente telle qu'un couvercle de boîte de prise correctement mis à la terre. Lorsque l'adaptateur est utilisé, il doit être maintenu en position par une vis métallique. Les adaptateurs de mise à la terre ne sont pas conçus pour une utilisation au Canada.

Remplacez la prise si la broche de mise à la terre est endommagée ou cassée.

Le fil vert (ou vert/jaune) est le fil de mise à la terre. Lorsque vous remplacez la prise, ce fil doit être connecté à la broche de mise à la terre uniquement.

Les cordons prolongateurs connectés à cette machine doivent être des cordons à trois conducteurs de jauge 12, avec prises et sorties à trois broches. N'utilisez PAS des cordons prolongateurs de plus de 50 pieds (15 m).

REMARQUE : UNIQUEMENT POUR L'AMÉRIQUE DU NORD

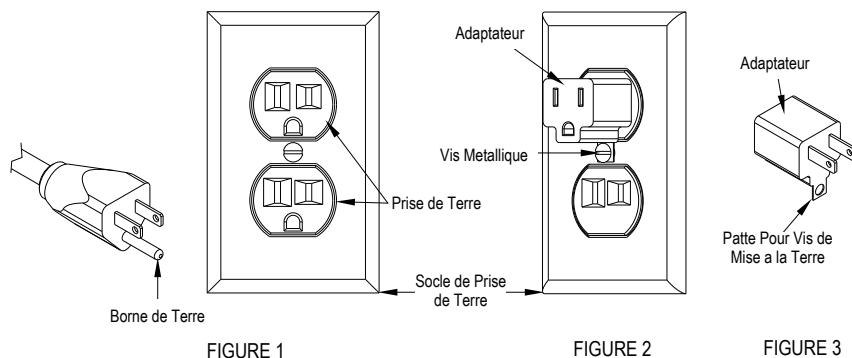


FIGURE 1

FIGURE 2

FIGURE 3

Cet appareil est destiné à être utilisé sur un circuit de 230 volts et possède une prise de mise à la terre illustrée sur la figure 4.

Remplacez la prise si la broche de mise à la terre est endommagée ou cassée. Le fil vert (ou vert/jaune) est le fil de mise à la terre. Lorsque vous remplacez la prise, ce fil doit être connecté à la broche de mise à la terre uniquement.

Les cordons prolongateurs connectés à cette machine doivent être des cordons à trois conducteurs de jauge 12, avec prises et sorties à trois broches. N'utilisez PAS des cordons prolongateurs de plus de 50 pieds (15 m).

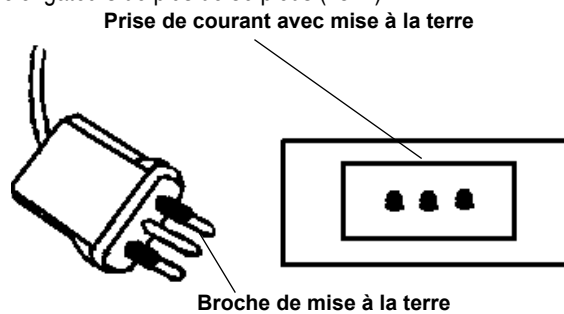
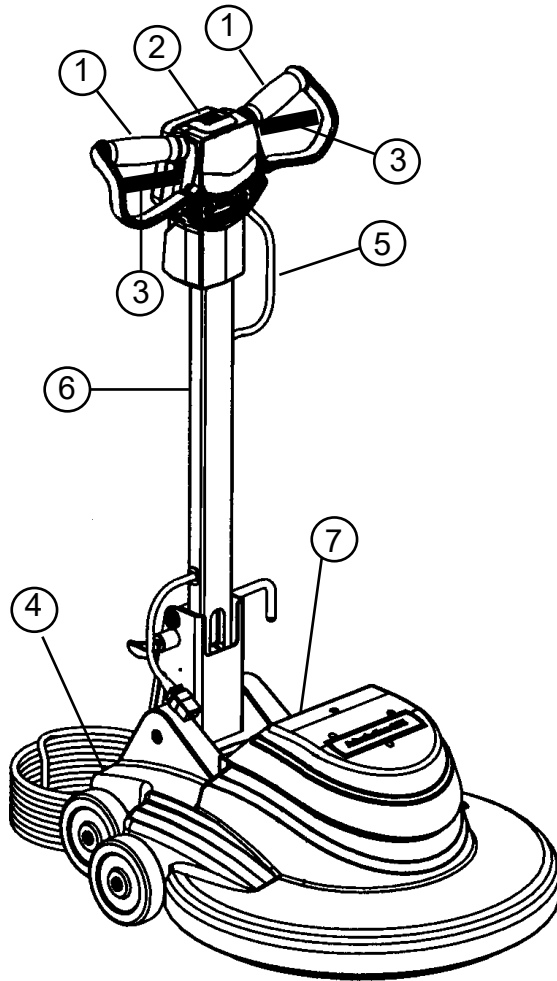
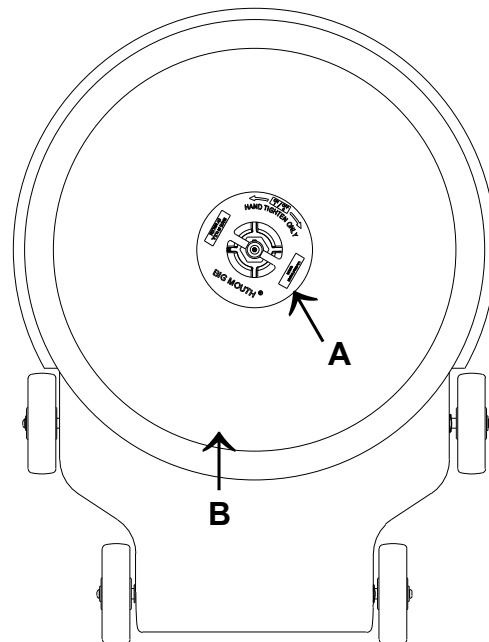


FIGURE 4

A



B



INTRODUCTION

Ce manuel vous permettra de tirer le maximum de profit de votre machine Advance de nettoyage de sols. Lisez-le attentivement avant d'utiliser la machine.

Ce produit est prévu pour une utilisation commerciale; pour le polissage, nettoyage/polissage simultané, récurage, décapage et comme shampooineuse rotative pour moquettes.

PIÈCES ET ENTRETIEN

Les réparations, lorsqu'elles sont requises, devront être réalisées par votre centre d'entretien agréé Advance qui emploie un personnel d'entretien formé en usine, et stocke un inventaire de pièces de remplacement et d'accessoires originaux Advance.

Contactez le concessionnaire Advance indiqué ci-dessous pour toute réparation, pièce ou entretien. Veuillez spécifier le Modèle et le Numéro de série relatif à votre machine.

ALTÉRATIONS

Les altérations et ajouts d'éléments à la machine de lavage, qui affectent ses capacités et son fonctionnement sécurisé, ne doivent pas être réalisés sans le consentement préalable et écrit de Nilfisk, Inc. Toute altération non approuvée annulera la garantie de la machine. En outre, le client sera entièrement responsable des accidents associés.

PLAQUE SIGNALÉTIQUE

Le numéro du modèle et numéro de série de votre machine sont indiqués sur la plaque signalétique audessous de la machine. Ces informations sont nécessaires lorsque vous commandez des pièces de remplacement pour la machine. Utilisez l'espace ci-dessous pour noter le numéro du modèle et numéro de série de votre machine pour consultation ultérieure.

NUMÉRO DU MODÈLE _____

NUMÉRO DE SÉRIE _____

DÉBALLER LA MACHINE

Lorsque la machine vous est livrée, contrôlez minutieusement que la boîte d'emballage et la machine ne présentent aucun dommage. Si elles sont endommagées, conservez la boîte d'emballage afin qu'elle puisse être inspectée. Contactez immédiatement le service d'entretien Advance pour déposer une demande de remboursement des dégâts de transport (le numéro de téléphone est indiqué au dos de ce manuel).

(A)-CONNAÎTRE VOTRE MACHINE

- 1 Prises de la poignée de l'opérateur
- 2 Bouton de verrouillage de sécurité du levier d'interrupteur
- 3 Leviers d'interrupteur - Appuyer - MARCHE / Relâcher - ARRÊT
- 4 Levier de dégagement de la poignée
- 5 Câble d'alimentation
- 6 Manette de commande
- 7 Indicateur d'usure de la brosse du moteur.

PRÉPARATION DU SOL

Avant d'utiliser la machine, veillez à ce que le sol soit propre et parfaitement sec. Nettoyez le sol à l'aide d'une nettoyeuse automatique ou avec un balai humide en utilisant une solution composée d'eau et d'un détergent neutre.

⚠ ATTENTION!

Cette machine ne peut être utilisée que sur des sols recouverts d'une couche de finition pouvant être polie. Pour obtenir de plus amples informations sur les produits de finition des sols, contactez le revendeur Advance le plus proche.

PRÉPARATION DE LA MACHINE

⚠ AVERTISSEMENT!

Cette machine contient des pièces mobiles. Afin de réduire le risque de blessures, déconnectez toujours le câble d'alimentation avant de procéder à l'entretien.

(B)-INSTALLATION DU TAMPON

Pour installer un tampon, faites basculer la machine vers l'arrière, sur sa poignée. Enlevez la fixation du tampon "A" (au centre du support de tampon) en la faisant tourner dans le sens contraire des aiguilles d'une montre pour la desserrer. Placez un tampon de format adéquat "B" sur le support "C". Remplacez la fixation du tampon "A" en la tournant dans le sens des aiguilles d'une montre pour la serrer.

FONCTIONNEMENT

- 1 Désenroulez le câble d'alimentation (5) et branchez-le à une prise correctement mise à la terre.
- 2 Débloquez la poignée (6) en poussant vers l'avant le loquet de blocage de la poignée (4), avec votre pied. Maintenez le loquet (4) enfoncé pendant que vous tirez sur la poignée (6). Il est normal que la base de la machine se soulève légèrement du sol lorsque vous abaissez la poignée. La machine se repose sur le sol d'elle-même dès que vous démarrez le moteur.
- 3 Tenez fermement la poignée (1), enfoncez le bouton de verrouillage de sécurité (2), puis actionnez les leviers des interrupteurs (3) pour démarrer le moteur. REMARQUE : il est impossible d'enfoncer le bouton de verrouillage de sécurité (2) tant que la poignée de l'opérateur (6) n'est pas relâchée et inclinée en position de fonctionnement. Lorsque les deux leviers d'interrupteurs de contrôle (3) sont relâchés, la machine s'éteint automatiquement.
- 4 Poussez la machine vers l'avant en ligne droite, à une vitesse lente. Repassez sur chaque passe d'environ 25-75 mm.
- 5 Lorsque vous utilisez un tampon de polissage, vérifiez toutes les 15 minutes si celui n'est pas recouvert de cire et de poussières. Si tel est le cas, retournez-le de manière à utiliser la face propre ou installez un nouveau tampon.

APRÈS UTILISATION

- 1 Levez la poignée de l'opérateur (6) jusqu'à ce qu'elle se bloque en position verticale. REMARQUE: : il est impossible d'enfoncer le bouton e verrouillage de sécurité (2) tant que la poignée de l'opérateur (6) n'est pas relâchée et inclinée en position de fonctionnement. Ainsi, le moteur ne peut pas être démarré tant que la poignée de l'opérateur (6) est en position de stockage.
- 2 Débranchez le cordon d'alimentation (5) et enroulez-le autour du verrou de déblocage de la poignée (4) et de la poignée de l'opérateur (1).
- 3 Vérifiez la jupe autour du logement de contrôle de la poussière. La jupe doit être remplacée si elle est usée ou déchirée.
- 4 Retirez de la machine le patin. Nettoyez le patin et mettez-le à sécher. Attendez que les patins de nettoyage soient complètement secs avant de les réutiliser.
- 5 Essuyez l'ensemble de la machine avec un chiffon humide propre.
- 6 Inspectez la totalité de la machine ainsi que tous les accessoires pour contrôler qu'ils ne sont pas endommagés. Effectuez toute réparation ou entretien requis avant de ranger la machine.
- 7 Conservez la machine dans un lieu propre et sec, avec la poignée de l'opérateur (6) verrouillée en position verticale.

ENTRETIEN

C - FILTRE À AIR

Le filtre à air doit être retiré et remplacé après environ 20 heures d'utilisation. Faites basculer la machine vers l'arrière sur sa poignée (6), comme vous le feriez pour changer le patin. Appuyez sur les côtés du couvercle du filtre "A" et retirez-le de la machine. Retirez le filtre à air "B" (en veillant à ne pas répandre des débris) et éliminez-le. Remettez la machine en position verticale. Appuyez sur les côtés du nouveau filtre "B" pour l'ouvrir et installez-le en le poussant vers le bas (saisissez la base en carton du filtre) sur les tubes en saillie (2) du socle. Reposez le couvercle "A".

BROSSES DU MOTEUR

Cette machine est équipée d'un voyant d'usure des brosses du moteur. Si ce voyant s'allume pendant que vous utilisez la machine, contactez votre revendeur Advance pour qu'il procède à l'entretien du moteur.

REMARQUE : Si le cordon d'alimentation est endommagé, il doit être remplacé par le fabricant ou son technicien de maintenance ou une personne personne présetant les même compétences, pour éviter tout danger.



ATTENTION!

Si vous utilisez la machine pendant une longue période avec le voyant allumé, vous risquez d'endommager sérieusement le moteur.

DIAGNOSTIC

TRACES SUR LE SOL

- Le sol n'est pas propre.
- Le zone n'a pas été correctement balayée - débris sur le patin ou la brosse.
- Patin ou brosse incorrect pour la tâche.
- Déplacement trop rapide de la machine.

CERCLES SUR LE SOL

- La machine est restée immobile pendant que la brosse ou le patin était en fonctionnement.

FINITION DU SOL ENLEVE

- Patin incorrect... trop agressif.
- Solution trop décapante.

LA MACHINE OSCILLE AU COURS DE L'OPÉRATION

- Patin défectueux... un côté est plus dense que l'autre.
- La machine est restée appuyée sur la brosse ou patin pendant trop longtemps, causant aux poils de la brosse ou au patin de prendre une forme incorrecte.
- Le patin n'est pas placé correctement sur les poils du support du patin.
- Le patin n'est pas centré à la périphérie du support de patin.
- Le patin n'est pas conçu pour le régime du moteur ou pour une polisseuse à haute vitesse.
- Entraîneur de patin défectueux. Retirez le patin, maintenez la machine au dessus du sol à l'aide de la poignée, puis démarrez-la. Si la machine oscille, remplacez l'entraîneur de patin.

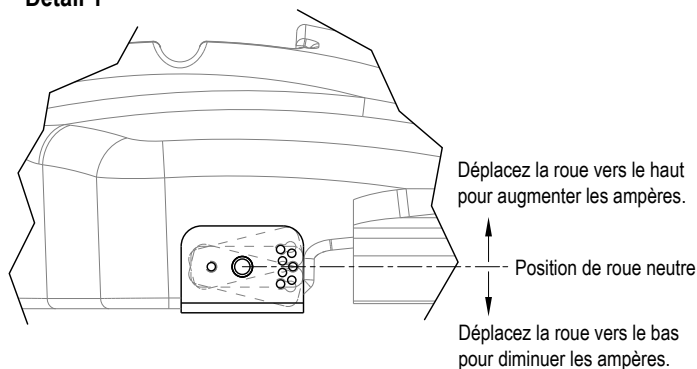
LA MACHINE NE FONCTIONNE PAS

- Contrôlez que la prise est connectée correctement - sur la machine et la prise murale.
- Contrôlez le coupe-circuit du bâtiment.
- Contactez le service de réparation.

CALAGES OU COUPE-CIRCUITS DE LA MACHINE

- Régler la hauteur de roue pour baisser l'intensité moyenne de courant dans l'application, vers une plage entre 9 et 13 amp. **Voir le détail 1 ci-dessous.**
- Faites appel à votre revendeur, le cas échéant.

Détail 1



SPÉCIFICATIONS TECHNIQUES (telles qu'installées et testées sur l'unité)

Modèle	Advolution 20	Advolution 20XP
Numéro du modèle	01510A	01520A
Moteur	1.5 hp (1.1 kW), 120V	1.5 hp (1.1 kW), 120V
Vitesse du patin/brosse	1,500 tr/m	2000 tr/m
Tailee du patin/brosse	20" (51 cm)	20" (51 cm)
Roues	5" (13 cm)	5" (13 cm)
Longueur du câble	75' (23 m)	75' (32 m)
Hauteur avec poignée	46" (117 cm)	46" (117 cm)
Poids (avec câble)	81 livres (36.8 kg)	83 livres (37.7 kg)
Construction:		
Tube poignée	Acier tubulaire	Acier tubulaire
Base	Polyethylene	Polyethylene
Modèle	Advolution 20	Advolution 20XP
Numéro du modèle	01510C	01520C
Moteur	1.5 hp (1.1 kW), 230V	1.5 hp (1.1 kW), 230V
Vitesse du patin/brosse	1,500 tr/m	2000 tr/m
Tailee du patin/brosse	20" (51 cm)	20" (51 cm)
Roues	5" (13 cm)	5" (13 cm)
Longueur du câble	75' (23 m)	75' (32 m)
Hauteur avec poignée	46" (117 cm)	46" (117 cm)
Poids (avec câble)	81 livres (36.8 kg)	83 livres (37.7 kg)
Construction:		
Tube poignée	Acier tubulaire	Acier tubulaire
Base	Polyethylene	Polyethylene

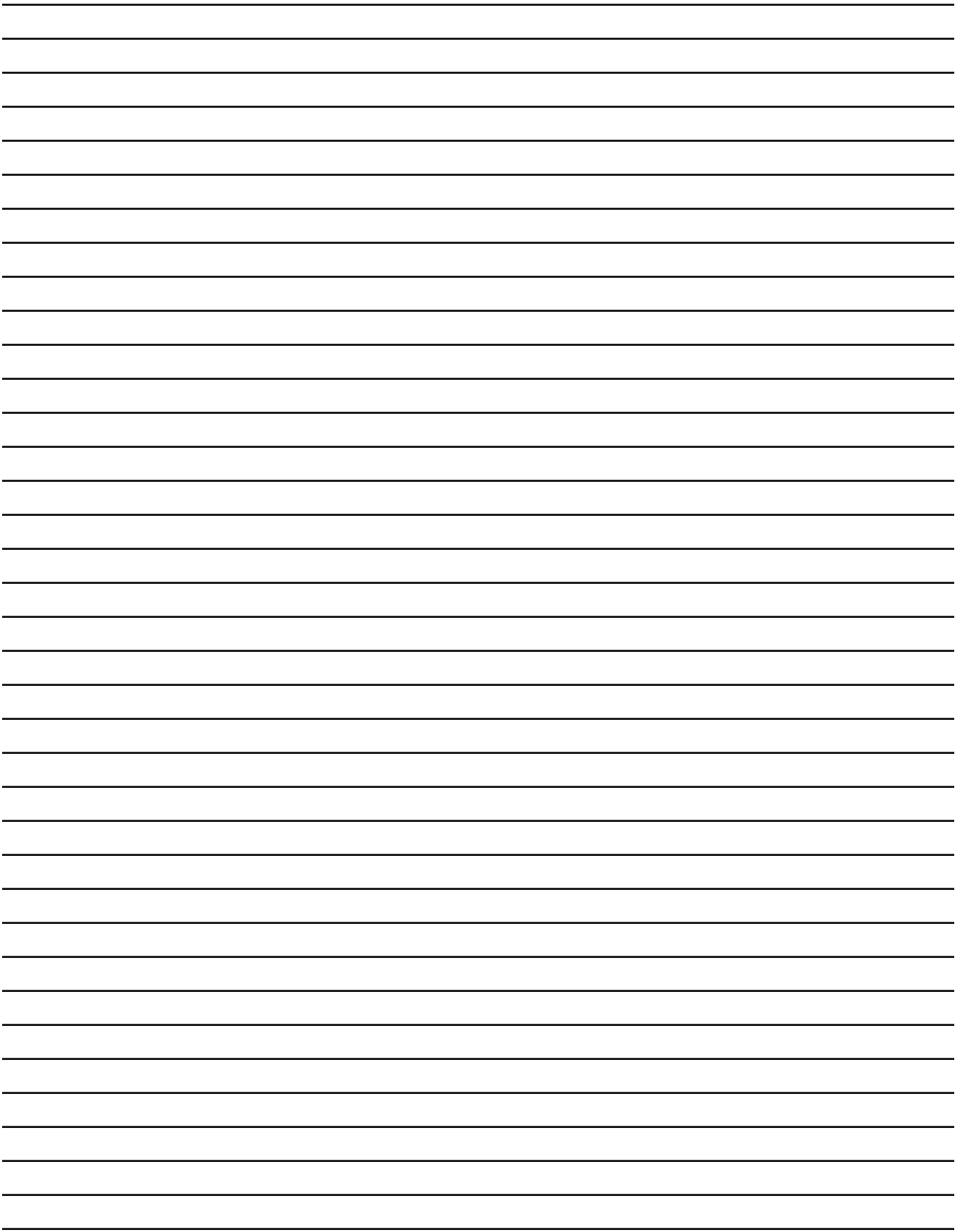


TABLE OF CONTENTS

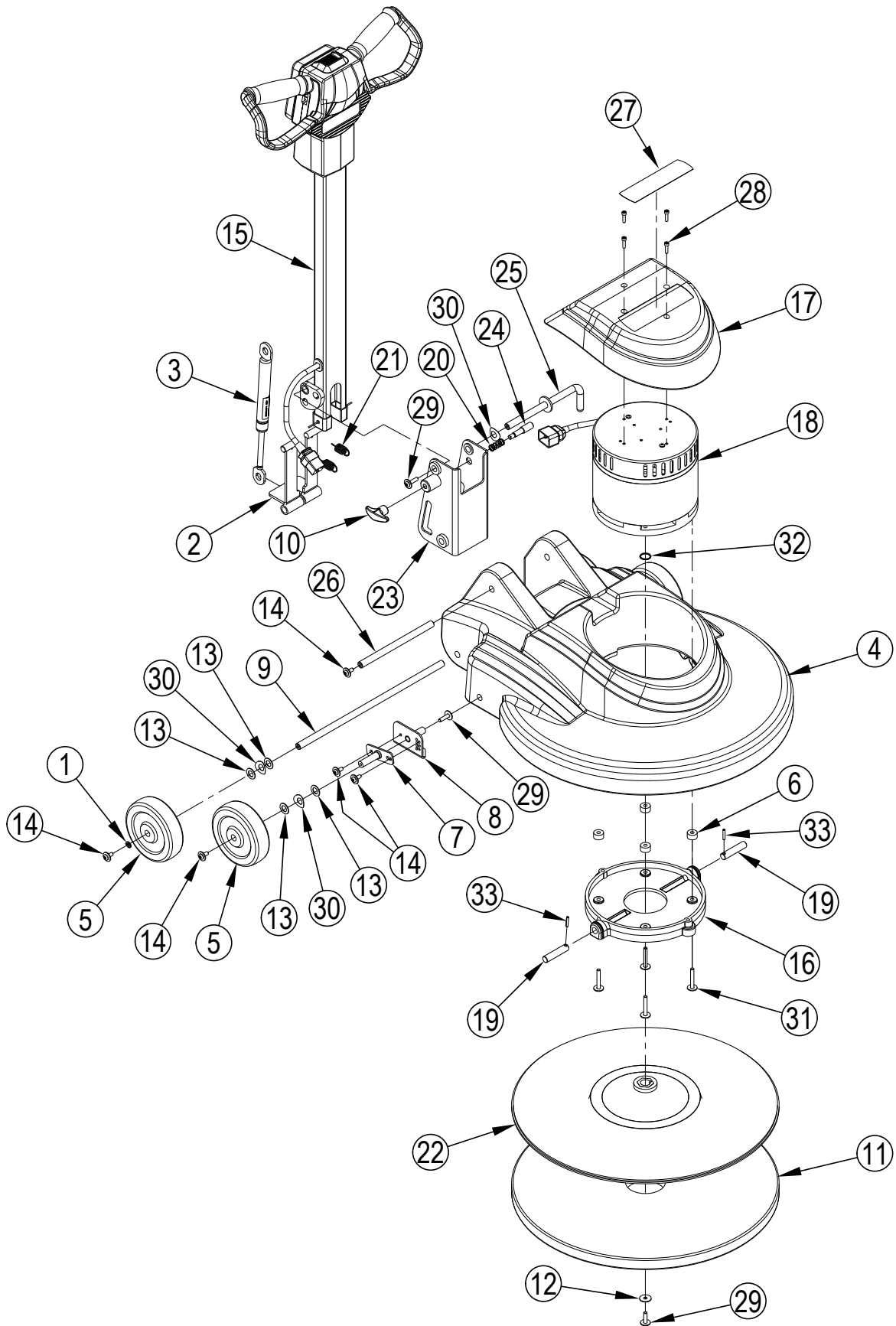
DESCRIPTION	PAGE
Advolution 20 Assy.....	22-23
Advolution 20XP Assy.....	24-25
Handle Assy.....	26
Wiring Diagrams.....	27

WHEN ORDERING PARTS

- * Use the part numbers from the “Ref. No.” columns in this parts list.
- * Specify the model number and serial number of the machine.
- * Use the space below to record the model number and serial number for future reference.

Model No. _____ Serial No. _____

ADVOLUTION 20 ASSY



ADVOLUTION 20 ASSY

Item	Ref. No.	Qty	Description
1	980657	1	Washer Lock 1/4 Std
2	56109743	1	Release Pedal Weldt TSBUS2011-0021 / TSBUS2011-0032
3	56109772	1	Spring Gas TSBUS2011-0021 / TSBUS2011-0032 / TSB-FC-2016-260 / NOTE 3
4	56109770	1	Mainframe Advance NDC NOTE 1 / TSBUS2011-0021 / TSBUS2011-0032
5	56201018	4	Wheel 5.00 X 1.50
6	56382561	4	Spacer TSBUS2011-0021 / TSBUS2011-0032
7	56382805	2	Wheel Plate Wldt NOTE 2 / TSB-FC-2014-004
8	56382808	2	Pivot Plate Wldt NOTE 2 / TSB-FC-2014-004
9	61869A	1	Axle Rear
10	613920	1	Handle T-Knob
11	976240	1	Pad-Aqua-20-5/Cs
12	980413	1	Washer Retainer
13	980673	8	Washer Flat 1/2 X 7/8 X 3/64
14	56109766	10	Screwbuttonhead 1/4-20 X .63 Sems NOTE 2 / TSB-FC-2014-004
15		1	Handle. Asm TSB-FC-2014-016
16	29916A	1	Mount Motor TSBUS2011-0021
17	30740A	1	Cover Motor
18	40935A	1	Motor 1.5hp 120/60 1500 RPM TSB-FC-2013-142 TSB-FC-2014-004 / TSB-FC2016-277
18	41029A	1	Motor, 1.1 kW 230V 1500 RPM (01510C only)
19	56385023	2	Pin-Clevis-.51 x 2.3 TSB-FC-2015-008, TSB-FC-2017-036
20	53836A	1	Spring Compression
21	54196A	2	Spring Extension
22	56925A	1	Pad Driver TSBUS2009-1034
23	61867A	1	Tube Mount Weldment
24	61868A	1	Pull-Pin Stem
25	61872A	1	Axle Folding
26	61874A	1	Axle .50 X 7.60
27	71333A	1	Label Cover Motor 20
28	80284A	4	Screw 10-32 UNF X .75 H.R.C.S.
29	80292A	4	Screw .25-20 X 1.00 Bhhr Sems
30	80295A	5	Washer Bowed
31	80297A	4	Screw 1/4-20 X 1.75 Bh Zp Sems TSBUS2011-0021
32	80378A	1	Ring Retaining External 0.750"
[]	40257A	1	Adapter 5-15p To CEI 23-16/VII (01510C only)
33	56003114	2	Pin-Spr .16 x .88
[]#	56394259	1	Decal-Prop 65
MOTOR SERVICE PARTS			
[]	56383569	1	Rectifier-60A 600V (120V) TSB-FC-2014-004
[]	46105A	1	Rectifier (240V)
[]	902550	1	Bearing 6203 (Upper)
[]	902547	1	Bearing 6205 (Lower)
[]	980076	1	Wave Washer
[]	56384679	1	Brush Assembly Kit (120V) (contains 4 carbon brushes and springs)
[]	40411A	1	Brush Board Assembly (240V)
[]	59607A	1	Varistor (part of 40411A)
[]	55647A	1	Yellow Lead (part of 40411A)
[]	55648A	1	Red Lead (part of 40411A)
[]	56384679	1	Brush Assembly Kit (240V) (contains 4 carbon brushes and springs)

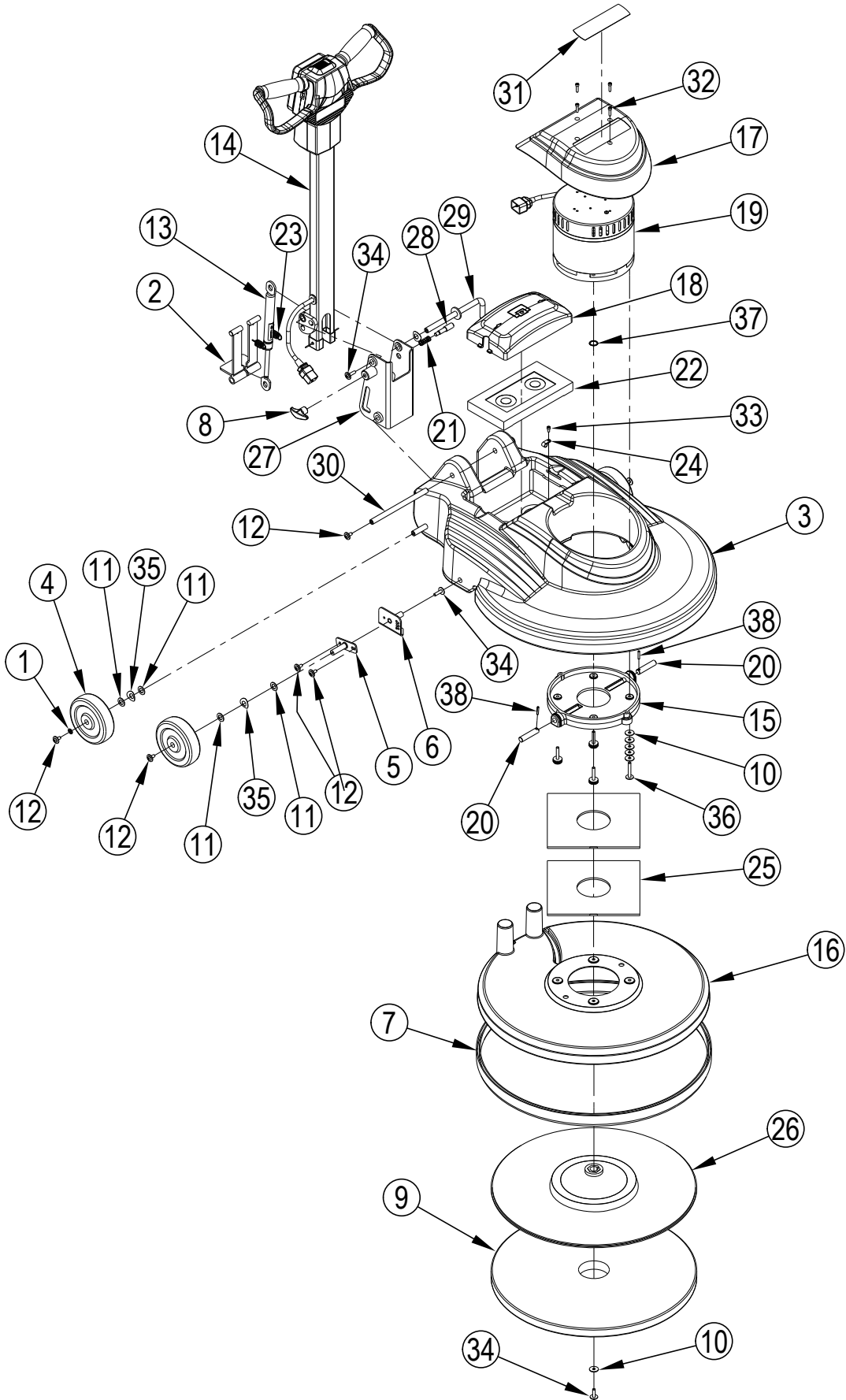
= Revised or new since last update

NOTE 1: If you need to replace Mainframe (30738A) please order Mainframe Kit (56109779).

NOTE 2: As of serial number 3000144350, the Front Axle (61871A) has been replaced by an adjustable assembly consisting of a Wheel Plate Weldt (56382805) and a Pivot Plate Weldt (56382808). If you have a machine built prior to this serial number and would like to convert your machine to this new design please order Wheel Adjustment Kit (56382812).

NOTE 3: Gas Spring Kit-1500 RPM (56384720) includes Gas Spring 56109772, mounting hardware and replacement instructions.

ADVOLUTION 20XP ASSY



ADVOLUTION 20XP ASSY

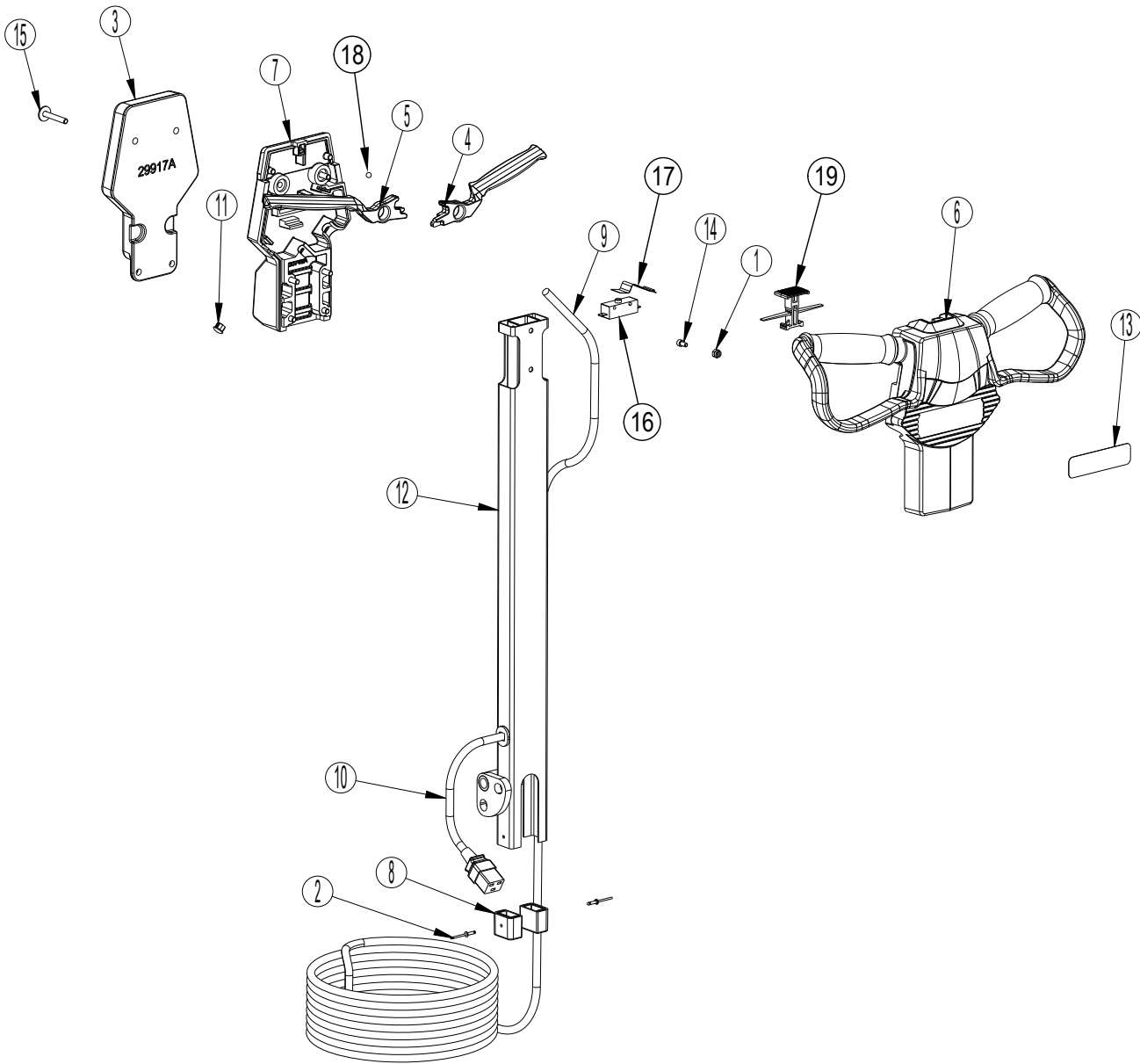
Item	Ref. No.	Qty	Description
1	980657	1	Washer Lock 1/4 Std
2	56109743	1	Release Pedal Weldt TSBUS2011-0021 / TSBUS2011-0032
3	56109769	1	Mainframe Advance NOTE 1 / TSBUS2011-0021 / TSBUS2011-0032
4	56201018	4	Wheel 5.00 X 1.50
5	56382805	2	Wheel Plate Wldt NOTE 2 / TSB-FC-2014-004
6	56382808	2	Pivot Plate Wldt NOTE 2 / TSB-FC-2014-004
7	56393565	1	Skirt Assy
8	613920	1	Handle T-Knob
9	976240	1	Pad-Aqua-20-5/Cs
10	980413	21	Washer Retainer
11	980673	8	Washer Flat 1/2 X 7/8 X 3/64
12	56109766	10	Screwbuttonhead 1/4-20 X .63 Sems NOTE 2 / TSB-FC-2014-004
13	56384719	1	Gas Spring-140LB TSBUS2011-0021 / TSBUS2011-0032 / TSB-FC-2016-260 / NOTE 3
14		1	Handle Asm TSB-FC-2014-016
15	29916A	1	Mount Motor
16	30739A	1	Shroud Dust
17	30740A	1	Cover Motor
18	30741A	1	Cover Dust Bag
19	40936A	1	Motor 1.5 Hp 120/60 2000 Rpm 24" Cord TSB-FC-2013-142 TSB-FC-2014-004 / TSB-FC-2016-277
19	41031A	1	Motor, 1.1kW 230V 2000 RPM (01520C only)
20	56385023	2	Pin-Clevis- .51 x 2.3 TSB-FC-2015-008, TSB-FC-2017-036
21	53836A	1	Spring Compression
22	54195A	1	Bag, Dust (Package Of 10)
23	54196A	2	Spring Extension
24	54434A	2	Clamp Cable
25	54435A	2	Gasket 2 Piece
26	56925A	1	Pad Driver TSBUS2009-1034
27	61867A	1	Tube Mount Weldment
28	61868A	1	Pull-Pin Stem
29	61872A	1	Axle Folding
30	61874A	1	Axle .50 X 7.60
31	71334A	1	Label Motor Cover
32	80284A	4	Screw 10-32 UNF X .75 H.R.C.S.
33	962957	2	Screw, 10-16 X 1/2 Self Tap
34	80292A	4	Screw .25-20 X 1.00 Bhhr Sems
35	80295A	5	Washer Bowed
36	80297A	4	Screw 1/4-20 X 1.75 Bh Zp Sems
37	80378A	1	Ring Retaining External 0.750"
38	56003114	2	Pin-Spr .16 x .88
[]#	56394259	1	Decal-Prop 65
MOTOR SERVICE PARTS			
[]	56383569	1	Rectifier-60A 600V (120V) TSB-FC-2014-004
[]	46105A	1	Rectifier (240V)
[]	902550	1	Bearing 6203 (Upper)
[]	902547	1	Bearing 6205 (Lower)
[]	980076	1	Wave Washer
[]	56384679	1	Brush Assembly Kit (120V) (contains 4 carbon brushes and springs)
[]	40411A	1	Brush Board Assembly (240V)
[]	59607A	1	Varistor (part of 40411A)
[]	55647A	1	Yellow Lead (part of 40411A)
[]	55648A	1	Red Lead (part of 40411A)
[]	56384679	1	Brush Assembly Kit (240V) (contains 4 carbon brushes and springs)

= Revised or new since last update

NOTE 1: If you need to replace Mainframe 30737A please order Mainframe Kit 56109778

NOTE 2: As of serial number 3000144350, the Front Axle (61871A) has been replaced by an adjustable assembly consisting of a Wheel Plate Weldt (56382805) and a Pivot Plate Weldt (56382808). If you have a machine built prior to this serial number and would like to convert your machine to this new design please order Wheel Adjustment Kit (56382812).

NOTE 3: Gas Spring Kit-2000 RPM (56384721) includes Gas Spring 56384719, mounting hardware and replacement instructions.



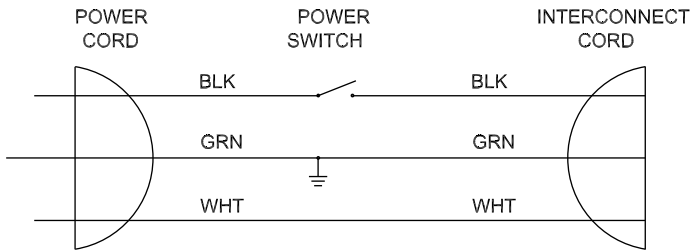
HANDLE ASSY

Item	Ref. No.	Qty	Description
1	920722	1	Nut 10-32 Esna
2	930113	2	Rivet 1/8 Pop Aluminum
3	29917A	1	Counterweight Advance
4	30645A	1	Lever Interlock Left
5	30646A	1	Lever Interlock Right
6	30747A	1	Handle Front Advance (120V)
	30747C	1	Handle Front Advance (230V)
7	30748A	1	Handle Back Advance
8	39874A	2	End Cap
9	40938A	1	Cord, Power (120V)
	40938C	1	Cord, Power (230V)
10	41024A	1	Cord, Interconnect (20) (120V)
	41024C	1	Cord, Interconnect (20) (230V)
	41071A	1	Cord, Interconnect (20XP) (120V)
	41071C	1	Cord, Interconnect (20XP) (230V)
11	53837A	1	Plug Hole
12	61866A	1	Handle Tube Weldment
13	70975A	1	Label Advance Handle
14	80290A	1	Screw 10-32 X .38 HRCS
15	80297A	6	Screw 1/4-20 X 1.75 Bh Zp Sems
16	40949A	1	Switch, SPST (120V)
	40949C	1	Switch, SPST (230V)
17	56263648	1	Spring, Plate
18	56201592	1	Ball, 1/4 SS
19	56201031	1	Button, Lock

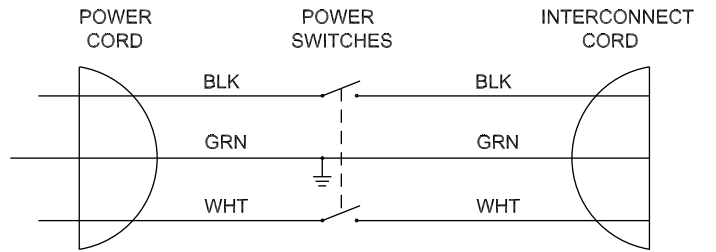
Item	Ref. No.	Qty	Description
------	----------	-----	-------------

WIRING DIAGRAMS

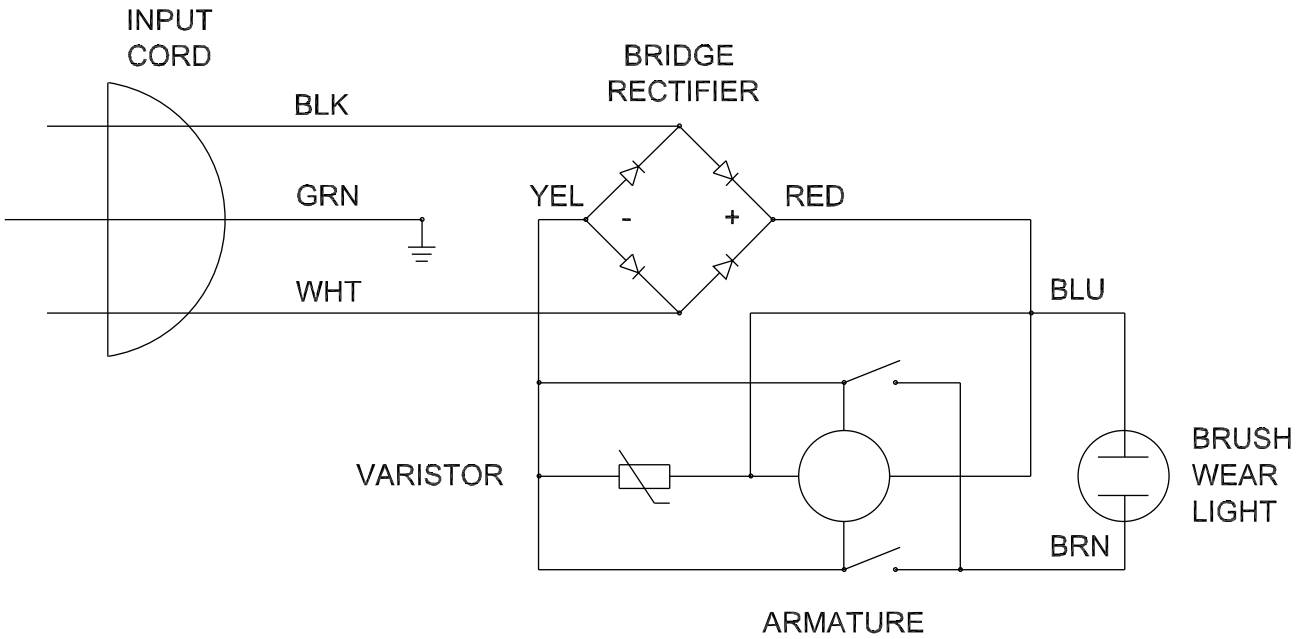
120V HANDLE



230V HANDLE



MOTOR



9435 Winnetka Ave North
Minneapolis, MN 55445
www.advance-us.com
Phone: 800-989-2235
Fax: 800-989-6566
©2018 Nilfisk, Inc.

