

# 7765

## Parts List

5/2009 revised 5/2020 REV L  
Form no. 56042525



Active Models:

56514926 (VD LP)  
56514929 (MD LP GM3.0L)  
56514931 (VD LP)

Obsolete Models:

56514925 (VD Gas)  
56514927 (VD Diesel)  
56514928 (MD Gas)  
56514930 (MD Diesel S4Q2)



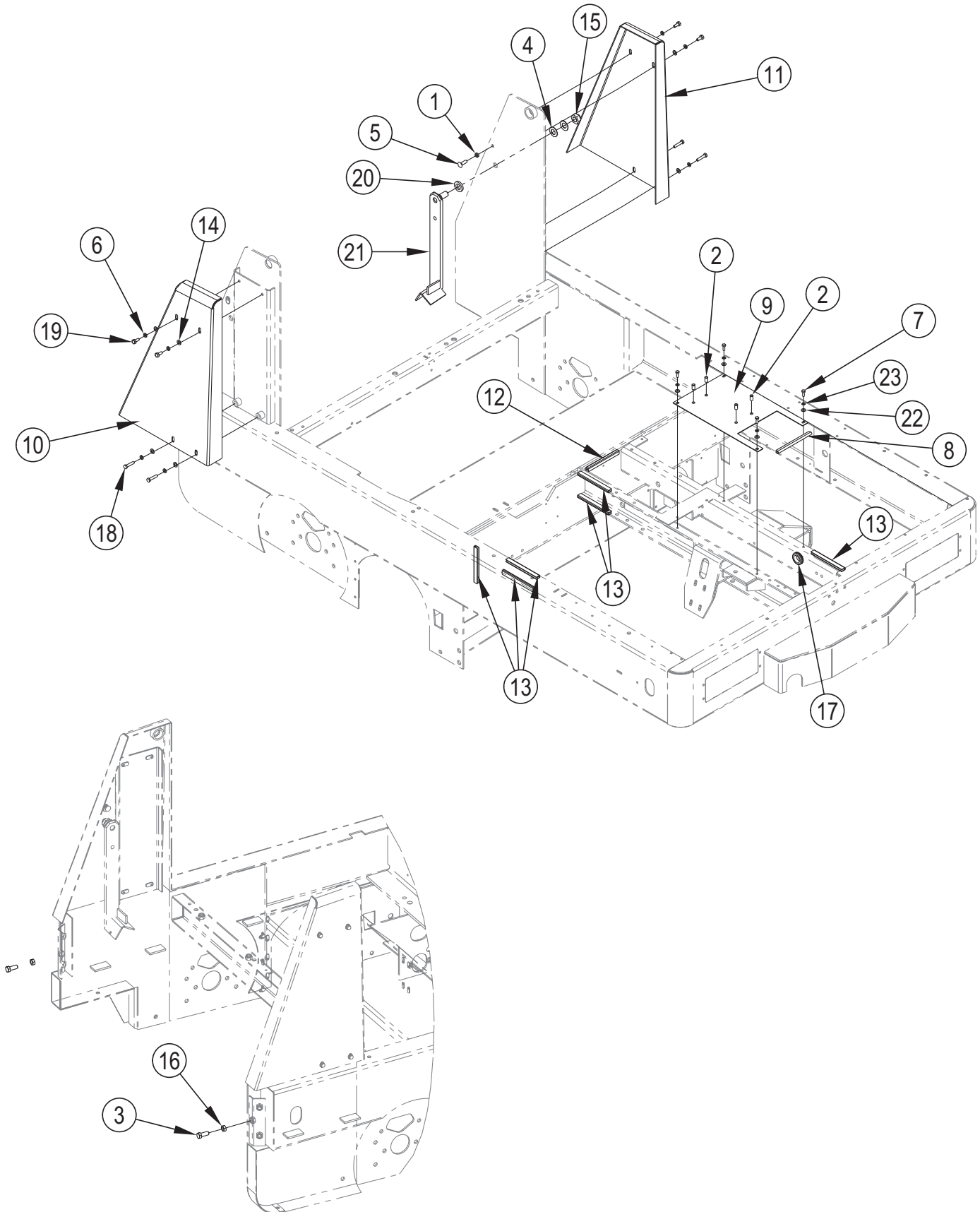
<b>DESCRIPTION</b>	<b>Page</b>
Main Frame - Variable Dump.....	4-5
Main Frame - Manual Dump.....	6-7
Main Broom Assembly.....	8-9
Main Broom Lift Linkage.....	10-11
Side Broom - Variable Dump.....	12-13
Broom and Brush Chamber Door.....	14-15
Hopper System - Manual Dump.....	16-17
Hopper System - Variable Dump.....	18-21
Hopper System - Filter and Impeller.....	22-25
Hopper System (Hopper Control Valve).....	26-27
Scrub Deck & Brushes.....	28-29
Rear & Side Squeegees.....	30-31
Squeegee Lift.....	32-33
Swing Squeegee Support.....	34-35
Solution Tank.....	36-37
Solution Feed Linkage.....	38-39
Recovery Tank.....	40-41
Tank Lid System [before January 2009].....	42-43
Tank Lid System [after December 2008].....	44-45
Vacuum Motor & Float.....	46-47
Front Wheel and Brake.....	48-49
Brake Linkage.....	50-51
Rear Wheel.....	52-53
Forward-Reverse Control - GM 3.0 (Before SN1000034942).....	54-55
Forward-Reverse Control - GM 3.0 [After SN1000034942].....	56-57
Forward-Reverse Control - GM 3.0 - Foot Pedal Assy.....	58-59
Forward-Reverse Control - Mitsubishi Diesel [Before SN1000034942].....	60-61
Forward-Reverse Control - Mitsubishi Diesel (After SN1000034942).....	62-63
Operator Compartment.....	64-65
Hydraulic Hose System - Variable Dump.....	66-67
Suction & Return Hoses - Variable Dump.....	68-69
Hydraulic Hose System - Manual Dump.....	70-71
Suction & Return Hoses - Manual Dump.....	72-73
Main Broom Motor and Fittings.....	74
Side Broom Motor and Fittings.....	75
Scrub Motors and Fittings.....	76
Squeegee, Scrub Deck Cylinders & Fittings.....	77
Power Steering, Hopper Dump, Hopper Lift Cylinders & Fittings.....	78-79
Rear Wheel Motor & Fittings.....	80-81
Hydraulic Reservoir, Filter & Fittings.....	82-83
Drive Pump and Fittings (Before SN1000034942).....	84
Drive Pump and Fittings (After SN1000034942).....	85
Vacuum Motor and Fittings.....	86-87
Dust Control Impeller and Fittings.....	88
Power Steering Unit and Fittings.....	89
Main Control Valve and Fittings.....	90-91
Return Manifold and Fittings - Variable Dump.....	92-93
Return Manifold and Fittings - Manual Dump.....	94-95
Cylinder Control Valve and Fittings.....	96-97
Auxiliary Pump & Fittings [Gas].....	98
Auxiliary Pump & Fittings [Diesel].....	99
Battery Group System.....	100-101
Engine Cover Assembly.....	102-103
Fuel Tank - Gas.....	104-105
GM 3.0 Liter Gas Engine (Air Filtration System).....	106-107
GM 3.0 Liter LP Engine (Air Filtration System) IMPCO.....	108-109
GM 3.0 Liter LP Engine (Air Filtration System) PSI.....	110-111
GM 3.0 Liter Engine - Gas & LP (Supports, Brackets).....	112-113
GM 3.0 Liter Engine - Gas & LP (Exhaust System).....	114-115
GM 3.0 Liter Engine - Gas & LP (Fan, Radiator Hoses).....	116-117
Fuel Tank Assembly - LP.....	118-119
Mitsubishi S4Q2 <b>Tier 2</b> - Diesel Engine (Fan, Exhaust, Hoses).....	120-121
Mitsubishi S4Q2 <b>Tier 2</b> - Diesel Engine (Supports, Throttle).....	122-123
Mitsubishi S4Q2 <b>Tier 2</b> - Diesel Engine (Fuel System).....	124-125
Mitsubishi S4Q2 <b>Tier 2</b> - Diesel Engine (Air Filtration System).....	126-127

DESCRIPTION	Page
Mitsubishi S4Q2 Tier 4 - Diesel Engine (Fan, Exhaust, Hoses).....	128-129
Mitsubishi S4Q2 Tier 4 - Diesel Engine (Supports, Throttle) .....	130-131
Mitsubishi S4Q2 Tier 4 - Diesel Engine (Fuel System).....	132-133
Mitsubishi S4Q2 Tier 4 - Diesel Engine (Air Filtration System).....	134-135
Fuel Tank - Diesel.....	136-137
Radiator Assembly .....	138-139
Decals .....	140-141
Steering and Instrument Panel.....	142-143
Instrument Panel Connections .....	144-145
Spare Parts – Gas & LP .....	146
Spare Parts – Diesel (Variable Dump).....	147
Spare Parts – Diesel (Manual Dump).....	148
Engine Service Parts - Mitsubishi S4Q2 Diesel.....	149
Engine Service Parts - GM 3.0 Gas-LP IMPCO .....	150-151
Engine Service Parts - GM 3.0 Gas-LP PSI.....	152-153
Machine Harness Routing Diagram Gas-LP-Diesel .....	154-155
Hydraulics Schematic - Variable Dump .....	156
Hydraulics Schematic - Manual Dump .....	157
Electrical Schematic (Gas/LP/Diesel).....	158-162
Options .....	163
Overhead Guard Option .....	164-165
Side Broom Option - Manual Dump .....	166-167
Broom Options .....	168
Back-Up Alarm Option .....	169
Lights Options .....	170-171
Lights & Turn Signals Option.....	172-173
Warning Lights w/o Overhead Guard Option.....	174-175
Warning Lights for Overhead Guard Option .....	176-177
Curb Light Option .....	178-179
Fire Extinguisher Option .....	180
Debris Basket Option .....	181
Suspension Seat Option.....	182
Seat Belt Option .....	183
ESP Option (Detergent & Solution Tank).....	184-185
ESP Option (Recovery Tank & Detergent Pump) .....	186-187
ESP Option (Instrument Panel) .....	188-189
ESP Option (Wiring) .....	190-191
Tire Options.....	192
Vacuum Wand Option.....	193
Wet Sweep Bypass Option.....	194-195
Auxiliary LP Tank Option .....	196-197
Dual Feed LP Tanks Option.....	198-199
Solution Off in Neutral Option.....	200-201
Stainless Steel Variable Dump Hopper Option.....	202
Stainless Steel Manual Dump Hopper Option.....	203
Extended Bumpers Option .....	204-205
Wrap-Around Bumpers Option .....	206-207
High Torque Drive Wheel Motor Option.....	208
Hopper High Temperature Shutdown Option.....	209
Clogged Filter Indicator Option.....	210-211
125 Gallon Solution & Recovery Tanks Option.....	212-213
Power Spray Wand Option .....	214-215
Timed Filter Shaker Option.....	216
Broom Selector Guide .....	217
Brush Selector Guide .....	218

#### WHEN ORDERING PARTS

- \* Use the numbers from the "Ref. No." columns in this parts list.
- \* Specify the model number and serial number of the machine.
- \* Use the space below to record the model number and serial number for future reference.

Model No. \_\_\_\_\_ Serial No. \_\_\_\_\_





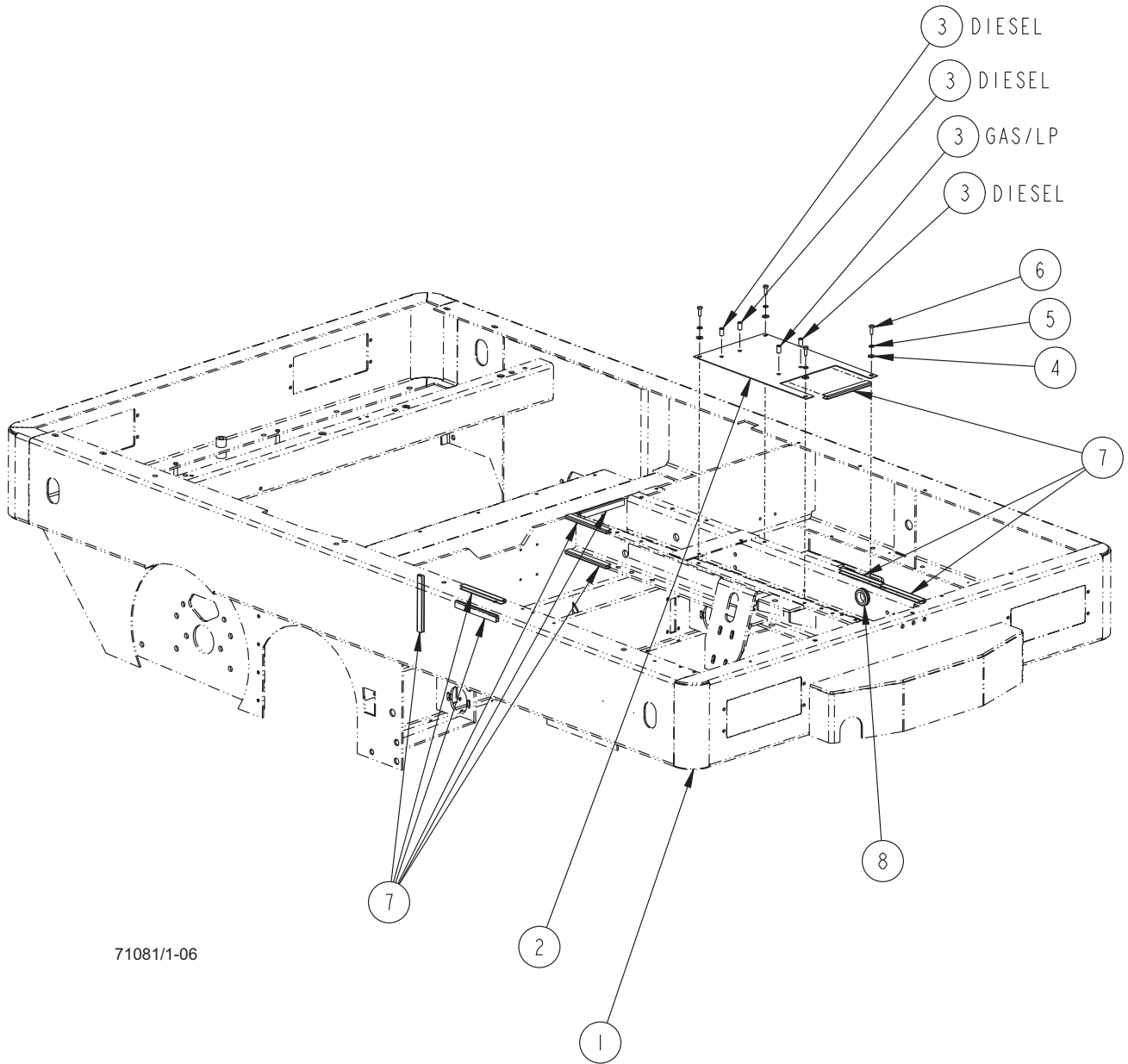
5/2009

**MAIN FRAME - VARIABLE DUMP**

11/2018

**7765****5**

<u>Item</u>	<u>Ref. No.</u>	<u>Qty</u>	<u>Description</u>
1	2-00-02369	1	Nut-Hex-Jam .38-16 Zn
2	2-00-05261	4	Nutsert, 1/4-20
3	56002665	2	Scr-Hex Thd to Hd 1/2-13 X 1.25
4	2-00-05807	2	3/4" Spring Washer
5	2-00-05187	1	3/8-16 X 1.0", Carriage Bolt
6	2-00-00530	8	5/16" Lock Washer
7	2-00-00221	4	Bolt-Hex Head, Finished, 1/4-20x3/4 LG
8	8-21-04015	1	Bumper
9	56514815	1	Cover-Strg Gear Assy
10	56514813	1	Cover-Support Wing Lh
11	56514814	1	Cover, Support Wing Rh
12	7-21-04030	1	Edging-Brush Drive Support
13	7-21-04031	6	Edging-Brush Drive Support
14	56001939	8	Washer, Flat SAE 5/16
15	2-00-05255	1	Nut
16	56009016	2	Nut Hex Jam 1/2-13
17	2-00-04721ZZ	1	Rubber Grommet
18	2-00-00225	4	Screw, 5/16 - 18 X 1.5 HHC
19	56002667	4	Screw, Hex 5/16-18 X .75
20	7-75-01167	1	Spacer
21	7-81-00189	1	Support-Safety Arm (Right)
22	56002098	4	Washer, Flat SAE 1/4
23	2-00-00518	4	Washer.Lock,1/4" Helical Spring



71081/1-06

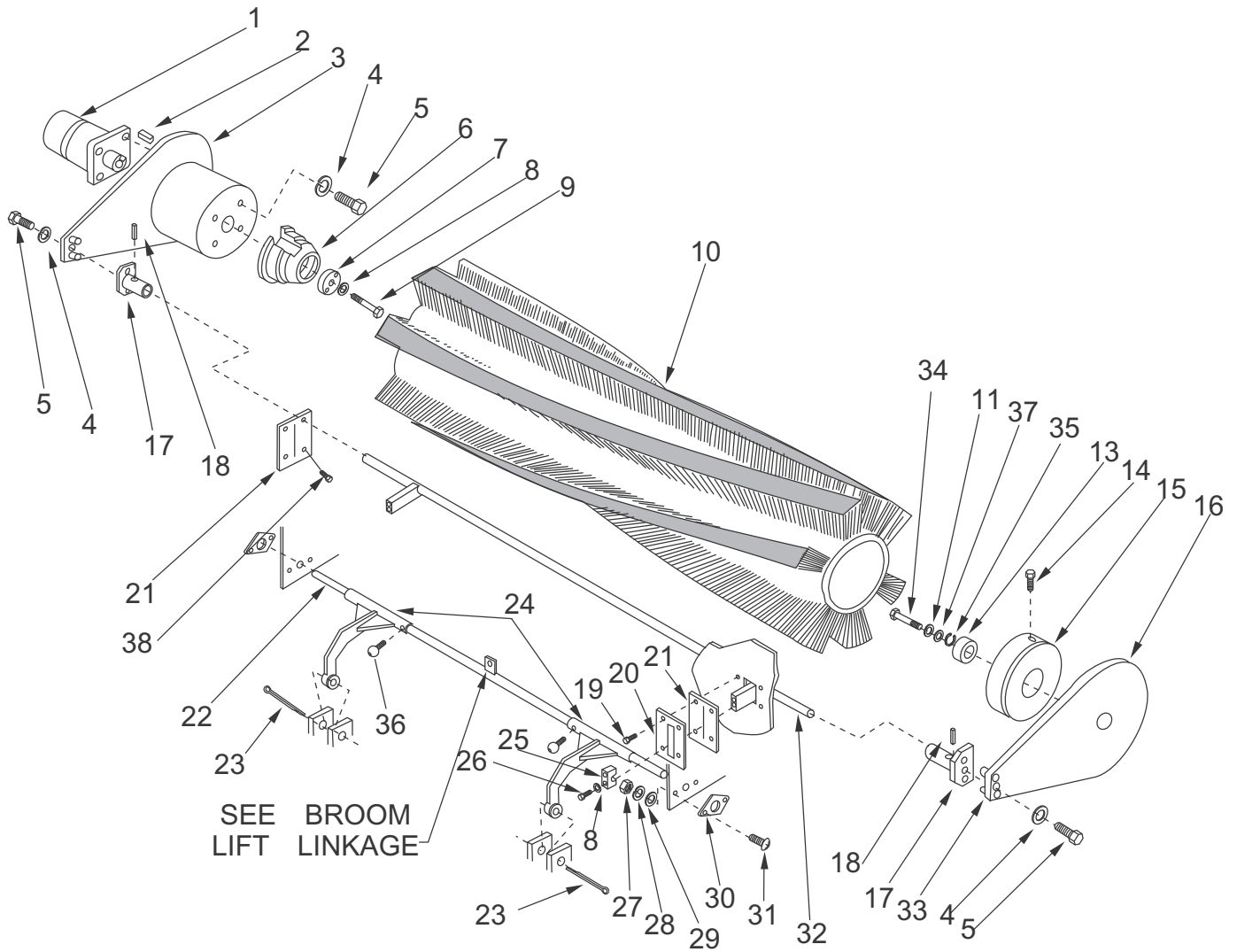
5/2009

**MAIN FRAME - MANUAL DUMP**

**7765**

**7**

<u>Item</u>	<u>Ref. No.</u>	<u>Qty</u>	<u>Description</u>
1	56514840	1	Main Frame
2	56514815	1	Cover, Steering Gear Assy.
3	2-00-05261	4	Insert, 1/4-20 Threaded
4	2-00-03702	4	Flat Washer, .562 x .265 x .062
5	2-00-00518	4	Lock Washer, 1/4 Helical Spring
6	2-00-00221	4	Bolt, 1/4-20 x 3/4 Fin. Hex Head
7	7-21-04031	9	Edging, Brush Drive Support
8	2-00-04721	1	Rubber Grommet



5/2009

**MAIN BROOM ASSEMBLY**

2/2012

**7765****9**

<b>Item</b>	<b>Ref. No.</b>	<b>Qty</b>	<b>Description</b>
1	0882-040	1	Hydraulic Motor, Broom Drive
2	2-00-00722	1	Key-Woodruff 1/4 x 1
3	8-16-00041	1	Arm, Drive Broom
4	2-00-02310	6	Lock Washer, 3/8 Helical Spring
5	2-00-00232	6	Screw, 3/8-14 x 3/4 HHC
6	8-33-09046-1	1	Hub, Broom Driver
7	8-58-05160	1	Plate, Hub Locking
8	2-00-00518	7	Lock Washer, 1/4 Helical Spring
9	2-00-03039	3	Screw, 1/4-20 x .625 HSHC
10	See Broom Options		
11	2-00-00522	1	Lock Washer, 3/4 Helical Spring
12	Intentionally Omitted		
13	2-00-04889	1	Bearing
14	2-00-04886	2	Screw, 3/8-16 x 1/2 HSHC
15	8-33-09090	1	Idler
16	8-16-00039	1	Arm, Idler
17	56514825	2	Pivot Collar (Weldment)
18	2-00-04943	2	Spring Pin, 3/8 x 1.50
19	2-00-00221	8	Screw, 1/4-20 x 3/4 HHC
20	7-16-07274	2	Gasket, Cover Plate
21	7-29-00148	3	Gasket, Broom Arm
22	7-70-05137	1	Shaft
23	7-55-08119	2	Lift Pin (with Cotter Pin)
24	7-03-04151	1	RH Arm Assembly
	7-03-04152	1	LH Arm Assembly
25	56514827	2	End Clamp
26	2-00-02587	4	Screw, 1/4-20 x 1.25 HHC
27	2-00-00586	4	Nut, 5/16-18 x .500 x .187 Hex Jam
28	2-00-00530	4	Lock Washer, 5/16 Helical Spring
29	2-00-05103	4	Flat Washer, SS, .750 x .343 x .050
30	2-00-03997	2	Flange Bearing, 3.75 x 1.00
31	2-00-00196	4	Carriage Bolt, 5/16-18 x 1.0
32	56514826	1	Shaft, Broom Chamber (Weldment)
33	8-55-08098	4	Dowel Pin
34	2-00-04887	1	Screw, 3/4-10 x 1.25 HHC
35	2-00-04890	1	Retaining Ring, 3.341 Int.
36	2-00-02558	2	Lubrication Fitting, 45° 1/8 NPT
37	8-75-01157	1	Flat Washer, 3/4
38	2-00-00432	4	Screw, 1/4-20 x 1/2

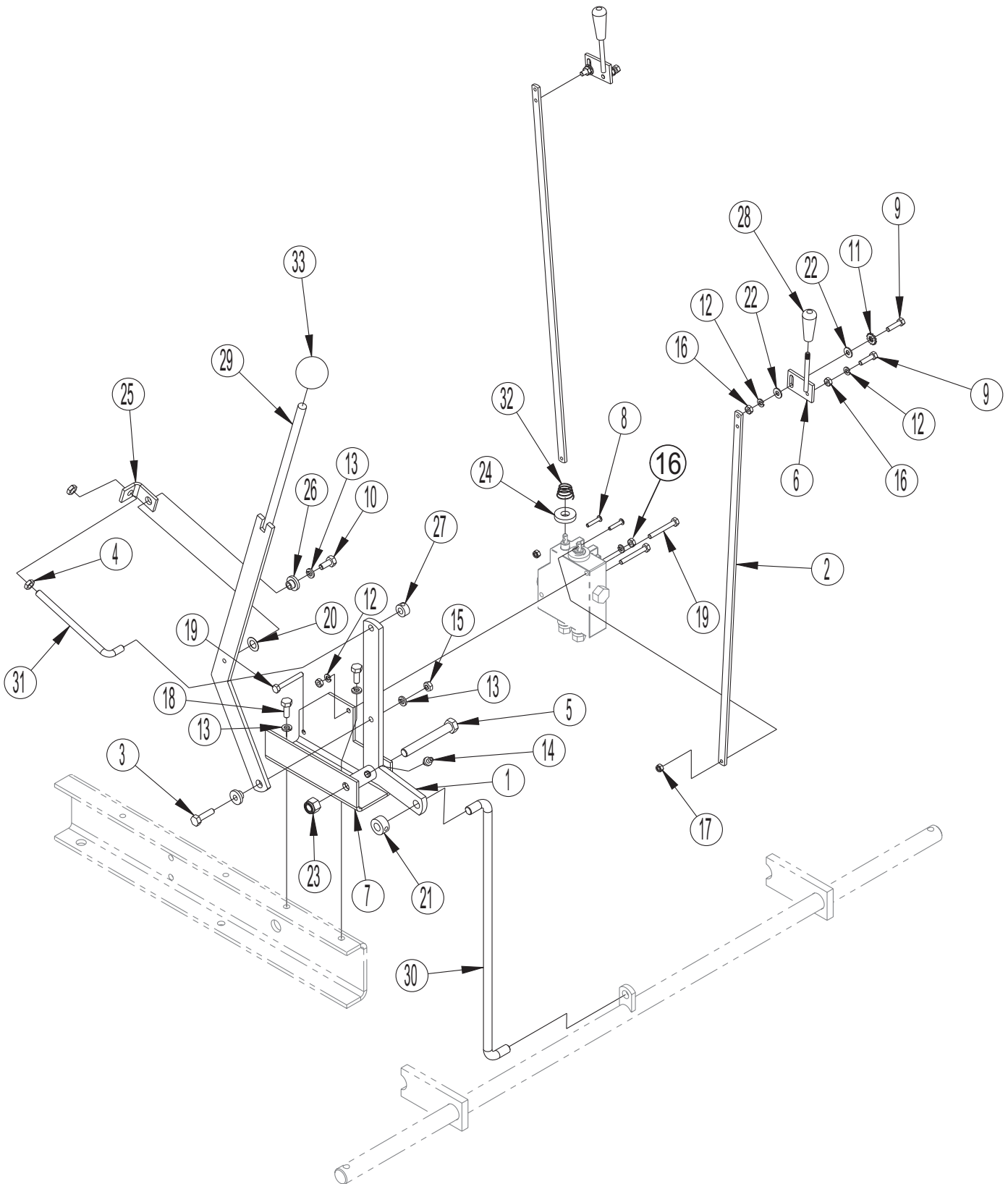
MAIN BROOM LIFT LINKAGE

5/2009

10

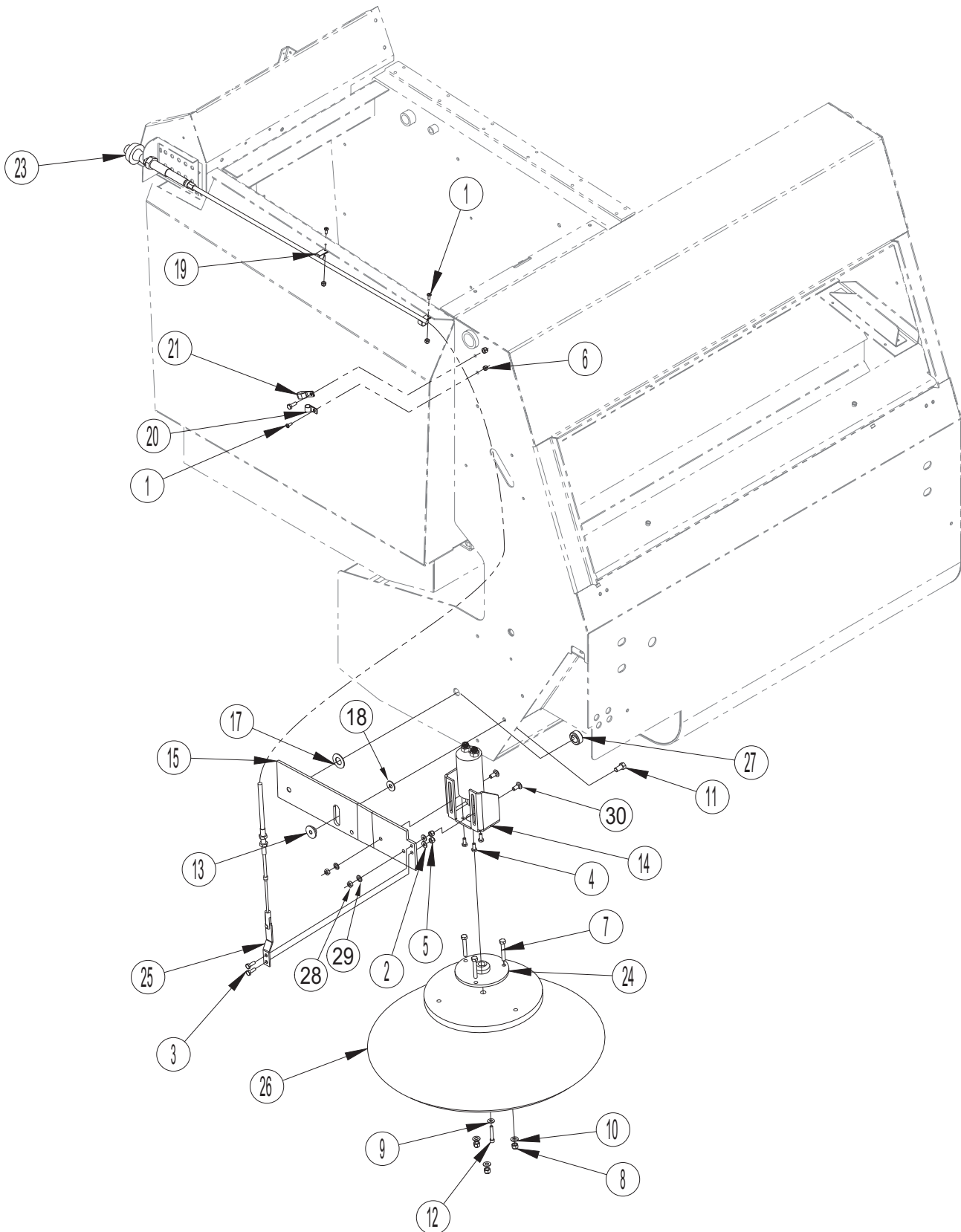
7765

10/2013



5/2009	<b>MAIN BROOM LIFT LINKAGE</b>			
11/2018	<b>7765</b>			<b>11</b>

<u>Item</u>	<u>Ref. No.</u>	<u>Qty</u>	<u>Description</u>
1	56514828	1	Weldment-Crank
2	56514829	2	Link
3	56001834	1	Screw, Hex 5/16-18 X 1.25
4	2-00-02369	2	Nut-Hex-Jam .38-16 Zn
5	2-00-05059	1	Scr-Hex 1/2-13 X 3.75
6	7-41-05084	2	Weldment Lever
7	7-89-06700	1	Bracket
8	2-00-00039	2	Screw #10-24
9	56002093	4	Screw, Hex 1/4-20 X 1.00
10	56002667	1	Screw, Hex 5/16-18 X .75
11	2-00-00498	2	Lock Washer, #10 Ext.
12	2-00-00518	6	Washer,Lock,1/4" Helical Spring
13	2-00-00530	4	5/16" Lock Washer
14	2-00-00566	1	Fitting, Lubrication, Straight, 1/8 Npt
15	56002025	1	Nut, Hex 5/16-18
16	2-00-00594	6	Nut, Hex 1/4-20
17	56002768	2	Nut, Hex Nyl Loc 10-24
18	56002037	2	Screw, Hex 5/16-18 X .88
19	56001874	2	Screw, Hex 1/4-20 X 2.00
20	2-00-03382	1	Spring Washer
21	2-00-03589	1	Collar, Set Screw
22	56002098	4	Washer, .Flat SAE 1/4
23	56002770	1	Nut, Hex Nyl Loc 1/2-13
24	2-00-05982	2	Washer, Felt
25	7-08-00493	1	Bracket-Main Broom Adj.
26	7-09-01057	2	Bushing, Brush Lift
27	7-15-01022	1	Collar-Setscrew
28	7-31-06059	2	Handle
29	7-41-05082	1	Weldment-Lever
30	7-42-05086	1	Link-Broom Lift
31	7-66-00142	1	Rod-Adjusting
32	7-76-00130	2	Spring, Conical Compression
33	8-39-00003	1	Knob





5/2009

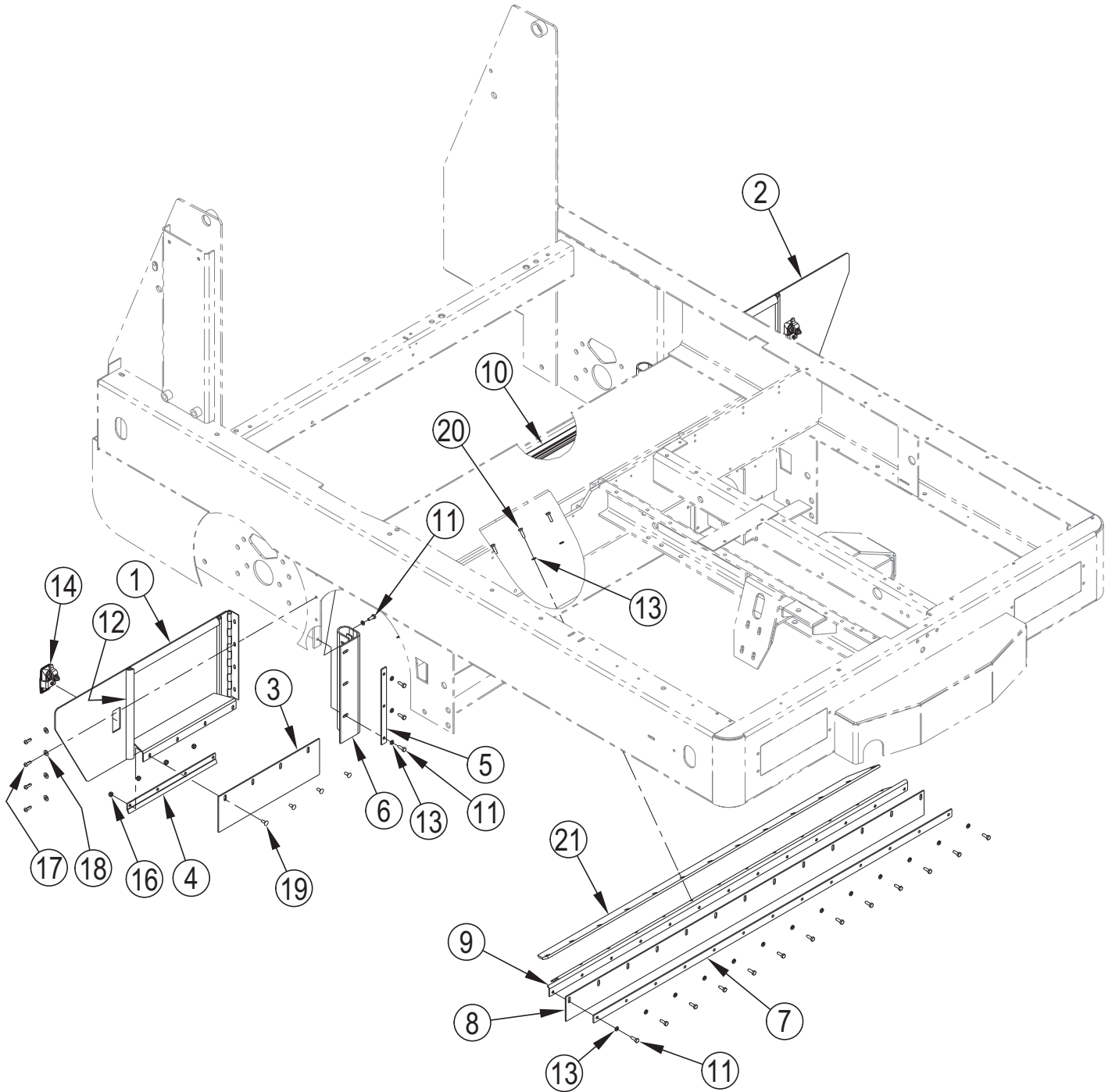
**SIDE BROOM - VARIABLE DUMP**

6/2017

**7765****13**

<b>Item</b>	<b>Ref. No.</b>	<b>Qty</b>	<b>Description</b>
1	56001993	3	Scr-Pan Phil 10-24 X .50
2	56002098	2	Wsh, Flt SAE 1/4
3	56002155	3	Scr-Hex 1/4-20 X .75
4	56002252	3	Scr, Hex 1/4-28 X .62
5	56002708	3	Nut, Hex Nyl Loc 1/4-20
6	56002768	3	Nut, Hex Nyl Loc 10-24
7	56002802	3	Scr- Hex SS 5/16-18 X 2.00
8	56002856	3	Nut, Hex Nyl Loc SS 5/16-18
9	56002859	1	Wsh-Flt SAE SS 1/4
10	56002938	3	Wsh-Flt SAE SS 5/16
11	56003079	1	Scr, Hex Hd Loc 3/8-16x.75
12	2-00-05976	1	Scr, Soc Hd 1/4-28 X 1.50
13	7-09-01134	1	Bushing
14	7-08-00841	1	Bracket Side Broom
15	56514783	1	Weldment-Arm - Side Broom
16	0885-061	1	Motor - Main Broom
[ ]	2-00-06547	1	Key
[ ]	0880-293	1	Seal Kit- 0885-061 <b>(Up to Serial No. 750056)</b>
[ ]	0780-144	1	Seal Kit- 0885-061 <b>(Serial No. 750056 &amp; Above)</b>
17	2-00-03808	1	Washer, .770 ID X 1.50 OD X .063 Thick
18	2-00-03979	1	Flat Washer, 1.00 X .39 X .062
19	2-00-04210	2	Clamp
20	2-00-04378	1	P-Clamp
21	2-00-04603	1	Clamp-Hose (Double) 1/2 O.D.
22	2-00-04918	Ref	Fitting, -6 SAE X -4 Ors, Str.
23	7-10-00029	1	Cable
24	7-25-06038	1	Weldment Flange
25	7-79-00092	1	Strap
26	8-08-03107	1	Broom - Side
27	8-15-01003	1	Set Screw Collar
28	2-00-00585	2	5/16-18, Hex Nut
29	2-00-02303	2	Lock Washer, 5/16 H.S. Med.
30	2-00-03569	2	Bolt, Carriage

[ ] = Not Shown



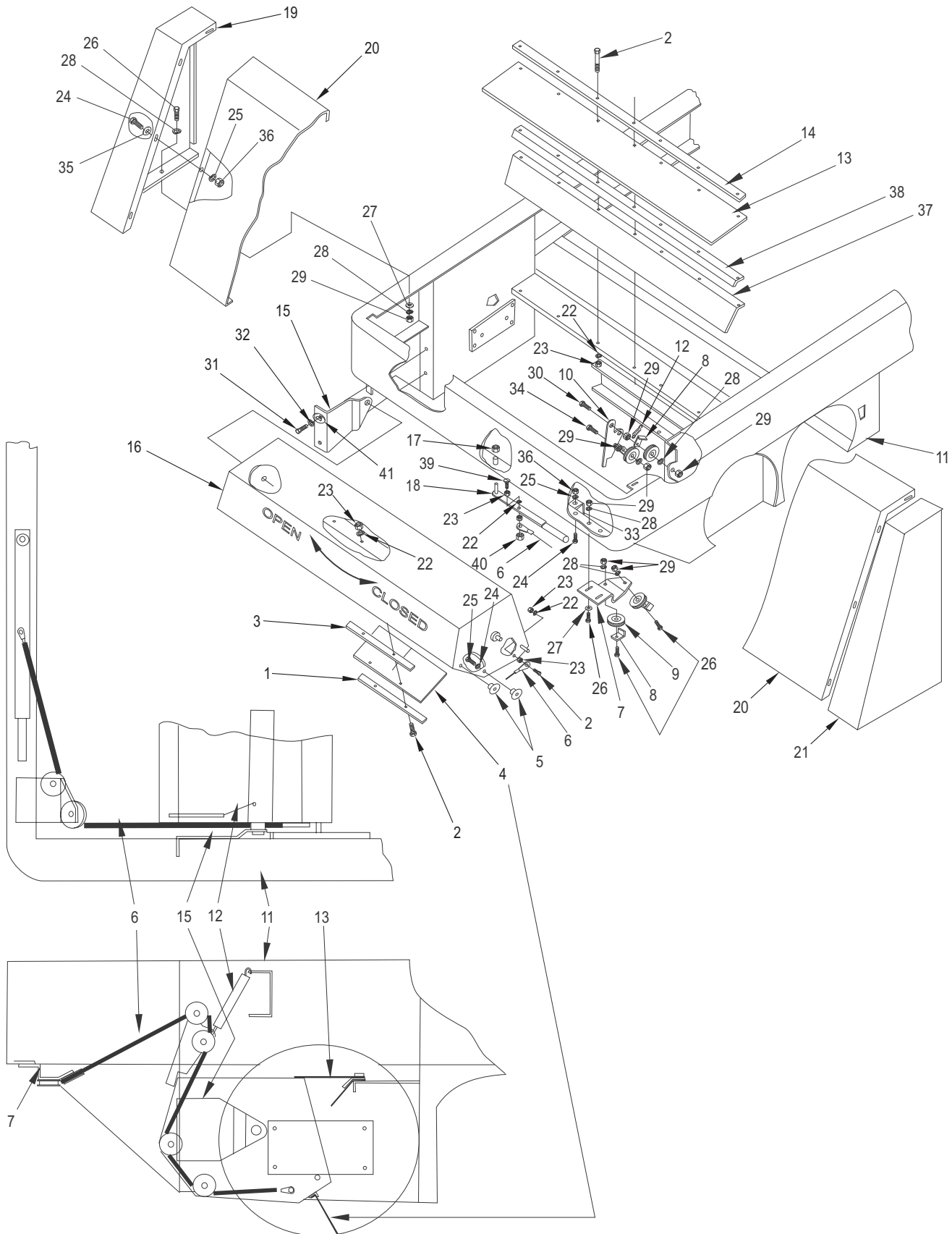
5/2009

**BROOM & BRUSH CHAMBER DOOR**

2/2020

**7765****15**

<b>Item</b>	<b>Ref. No.</b>	<b>Qty</b>	<b>Description</b>
1	56514779	1	Door, Left Hand Broom Chamber
2	56514780	1	Door, Right Hand Broom Chamber
3	7-25-08033	2	Flap, Broom Chamber Door
4	56514781	2	Strap, Door Flap
5	56514782	4	Strap, Broom Chamber
6	7-25-08034	2	Flap, Broom Chamber
7	7-79-00054	1	Strap, Broom Chamber Flap
8	7-25-08032	1	Flap, Broom Chamber
9	7-08-00487	1	Bracket, Flap (Weldment)
10	7-29-00147	1	Gasket
11	2-00-00221	23	Screw, 1/4-20 x 3/4 HHC
12	3-73-01020	6'	Gasket
13	2-00-00518	36	Lock Washer, 1/4 Helical Spring
14	56394411	2	Latch-Flush Mount-Black
15			<b>DELETED</b>
16	56002840	8	Nut Hex Nyl Loc-Thin 1/4-20
17	2-00-04880	8	Screw, 1/4-20 x 3/4 BHS
18	56002098	8	Wsh Flt SAE 1/4
19	2-00-04190	8	Carriage Bolt, 1/4-20 x .63
20	2-00-01490	13	Screw, 1/4-20 x .875 HHC
21	7-25-08036	1	Flap, Front Broom Chamber



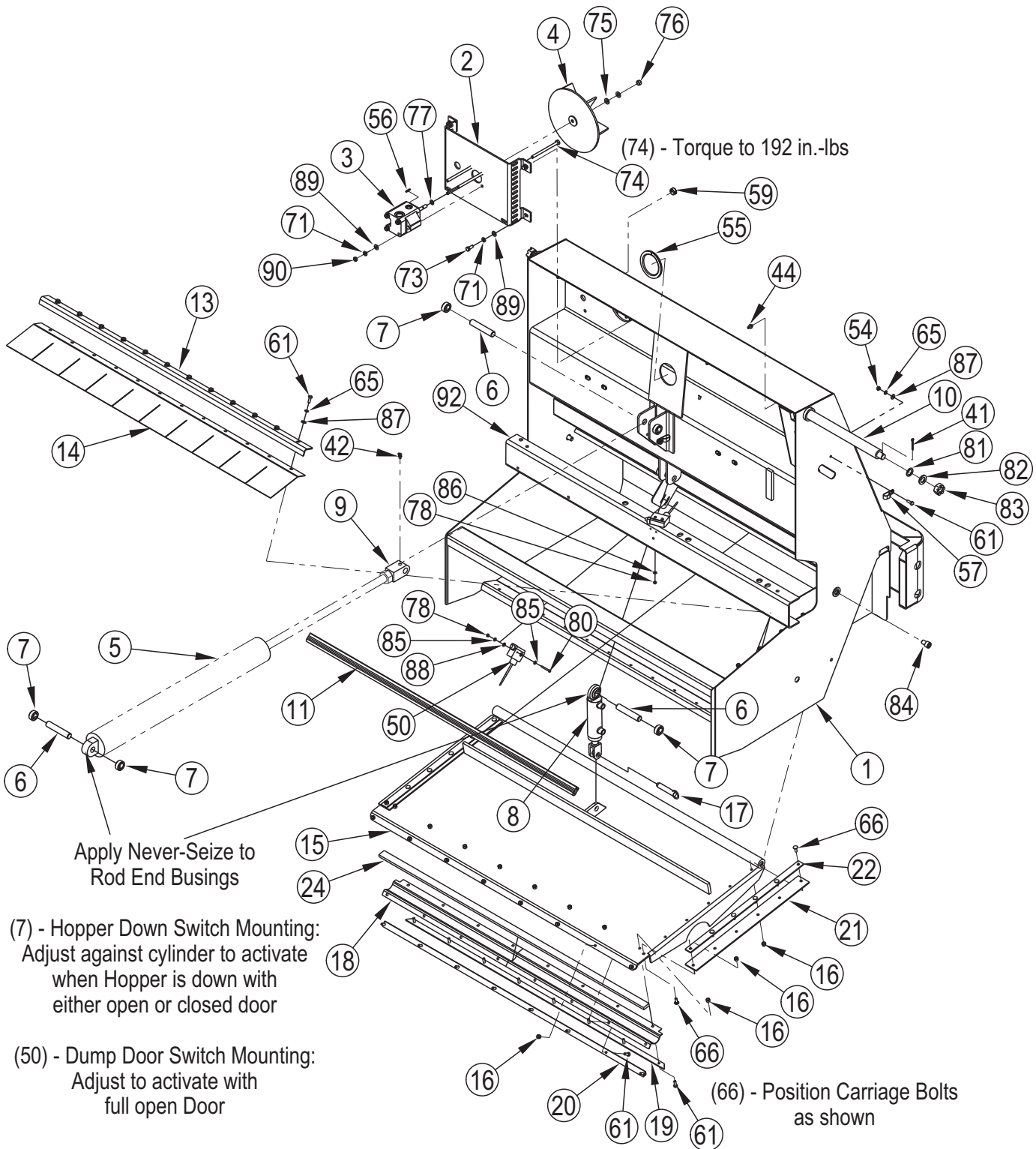
5/2009

**HOPPER SYSTEM - MANUAL DUMP**

6/2017

**7765****17**

<b>Item</b>	<b>Ref. No.</b>	<b>Qty</b>	<b>Description</b>
1	7-79-00091	4	Hopper Flap Strap
2	2-00-00205	15	Screw, 1/4-20 x 1.000 HHC
3	7-13-07169	4	Hopper Flap Clamp
4	7-25-08050	4	Hopper Flap
5	7-30-08013	2	Cable Guide
6	7-10-00027	1	Hopper Lift Cable
7	7-08-00860	1	Pulley Mounting Bracket
8	7-13-07170	4	Cable Retainer Clip
9	7-60-00160	4	Cable Pulley
10	7-41-00029	1	Hopper Latch
11	56514840	1	Main Frame
12	8-76-00045	1	Spring
13	7-25-08051	1	Baffle Flap
14	56514845	1	Baffle Clamp
15	7-08-00861	2	Hopper Pivot Plate
16	56514847	1	Hopper
17	2-00-03589	1	Collar
18	7-31-06073	1	Hopper Dump Handle
19	56514843	1	Right Hand Cover
20	56514844	1	Center Cover
21	56514848	1	Left Hand Cover
22	2-00-00518	17	Lock Washer, 1/4 Helical Spring
23	2-00-00594	19	Nut, Hex 1/4-20
24	2-00-01255	11	Screw, 5/16-18 x .875 HHC
25	2-00-00530	11	Lock Washer, 5/16 Helical Spring
26	56001858	8	Screw, 3/8-16 x 1.250 HHC
27	2-00-00402	10	Flat Washer, 3/8 Bs
28	2-00-02310	8	Lock Washer, 3/8 Helical Spring
29	2-00-02360	14	Nut, Hex 3/8-16
30	2-00-02711	1	Screw, 3/8-16 x2.750 HHM
31	2-00-00240	4	Screw, 1/2-13 x 1.250 HHC
32	2-00-02312	4	Lock Washer, 1/2 Helical Spring
33	7-41-00031	1	Handle Latch
34	2-00-00235	1	Screw, 3/8-16 x 1.750 HHC
35	2-00-00409	8	Flat Washer, 5/16 BS
36	2-00-00585	9	Nut, Hex 5/16-18
37	7-25-08052	1	Lower Baffle Flap
38	56514849	1	Lower Baffle Clamp
39	2-00-00198	1	Carriage Bolt, 1/4-20 x 2.000
40	56002708	1	Nut, Fiber Lock 1/4-20
41	2-00-00405	4	Flat Washer 1/2 B.S



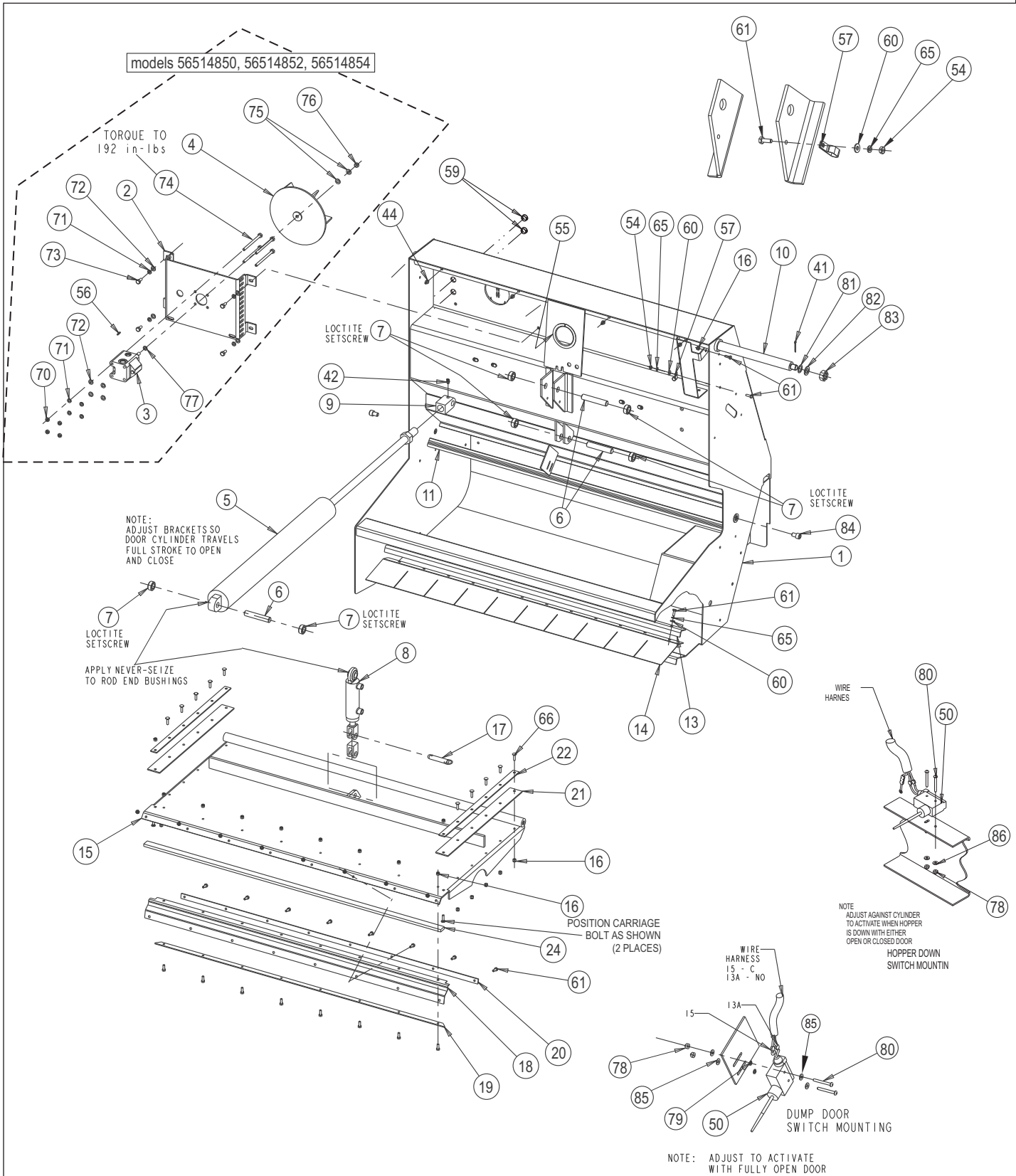
5/2009

**HOPPER SYSTEM - VARIABLE DUMP (Active Models)**

11/2018

**7765****19**

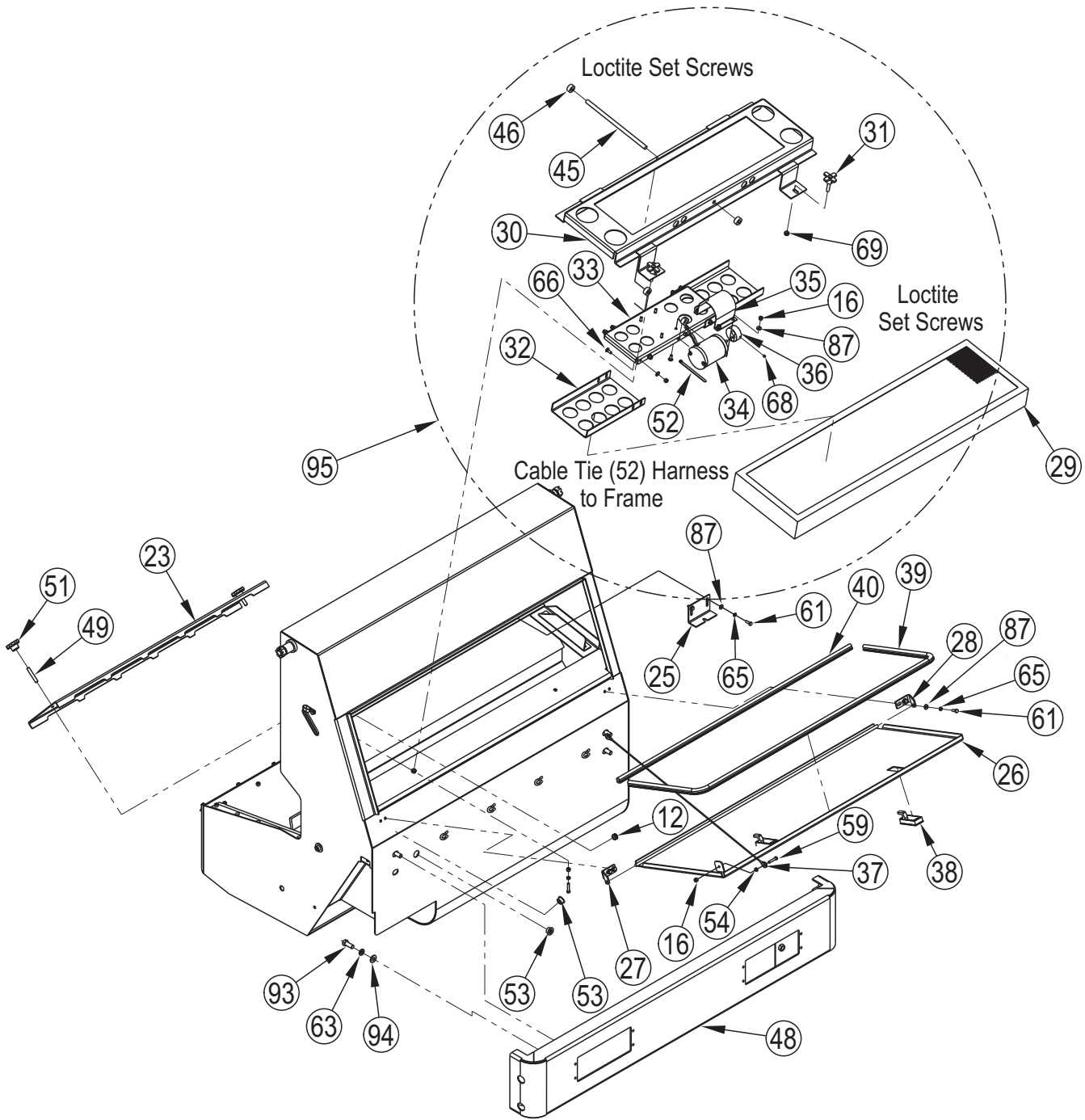
Kit	Item	Ref. No.	Qty	Description
	1	56514763	1	Hopper Weldment
	2	56514764	1	Bracket, Impellor Mounting and Guard
	3	0882-041	1	Vac Fan Motor
	4	8-23-00012	1	Impellor
	5	7-17-05013	Ref.	Cylinder
	6	7-55-08117	3	Pin
	7	8-15-01003	6	Collar
	8	7-17-05020	Ref.	Cylinder
	9	8-14-01010	1	Clevis-Dump Cylinder
	10	7-55-08127	1	Hinge Pin-Hopper
	11	7-29-00233	1	Gasket, Dump Door
	13	56514897	1	Clamp Hopper Flap
	14	7-25-08068	1	Flap, Hopper
	15	56514765	1	Door Hopper Dump
	16	56002708	42	Nut, Hex Nyl Loc 1/4-20
	17	7-55-08121	1	Pin-Lift
	18	7-68-05019	1	Seal, Outer Door
	19	56514896	1	Inner Seal Strap
	20	56514895	1	Outer Seal Strap
	21	7-68-05014	2	Seal, Door Side
	22	56514894	2	Clamp Door Side Seal
	24	7-68-05018	1	Seal, Dump Door
	41	2-00-00776	2	Cotter Pin
	42	2-00-02558	1	Grease Fitting
	44	2-00-00566	4	Fitting, Lubrication, Straight, 1/8 NPT
	50	8-82-00058	2	Switch
	54	2-00-00594	4	Nut, Hex 1/4-20
	55	7-21-04041	1	Edging, Hopper
	56	2-00-02227	1	Key, .125 x .750 Sq
	57	2-00-04603	2	Clamp, Hose (Double) 1/2 O.D.
	59	2-00-05382	2	Hole Plug
	61	2-00-00221	38	Screw, HHC 1/4-20 x .750 Gr 8 Zn
	65	2-00-00518	22	Lock Washer, 1/4 Med. Section Zn
	66	2-00-03575	24	Carriage Bolt, 1/4-20 x .750 Gr 5 Zn
	70	2-00-00585	4	Hex Nut, .13-18 Finished
	71	2-00-00530	8	Lock Washer, 5/16
	72	2-00-00409	8	Flat Washer, .688 x .344 x .063
	73	56002667	4	Screw, Hex, 5/16-18 x .75
	74	2-00-02655	4	Screw, Hex Head, Finished, 5/16-18
	75	2-00-00402	2	Washer, 25/64" ID x 3/4" OD
	76	2-00-03412	1	Lock Nut, 3/8-24
	77	2-00-00484	1	Flat Washer, .625 x .375 x .046
	78	2-00-01372	4	Nut, Hex #8-32 Fiber Lock
	79	2-00-02296	2	LK Wash Ext Tooth STL/ZN
	80	2-00-00090	4	Screw, 8-32 x 1.50 LG RHM
	81	2-00-00432	2	Flat Washer, 3/4" ID
	82	2-00-03170	2	Flat Washer 1.5 OD x .75 ID x .13
	83	2-00-04841	2	Nut, Hex Slotted 3/4-16 x 1.125 x .641
	84	2-00-05277	2	Socket Head Cap Screw 1/2" x 3/4"
	85	2-00-00466	4	Wshr-Flat .625x .203 x .031
	86	2-00-00460	2	Wshr-Flat .438 x .192 x 031
	87	56002098	34	Flat Washer SAE 1/4.
	88	310USP	2	Washer External Star 3/16
	89	56001939	8	Flat Washer SAE .5/16
	90	56002025	4	Nut, Hex, 5/16-18
	91	2-00-00221	38	Scw-HHC .250-20 x .75 Gr 8 Gn
	92	56514812	Ref	Frame





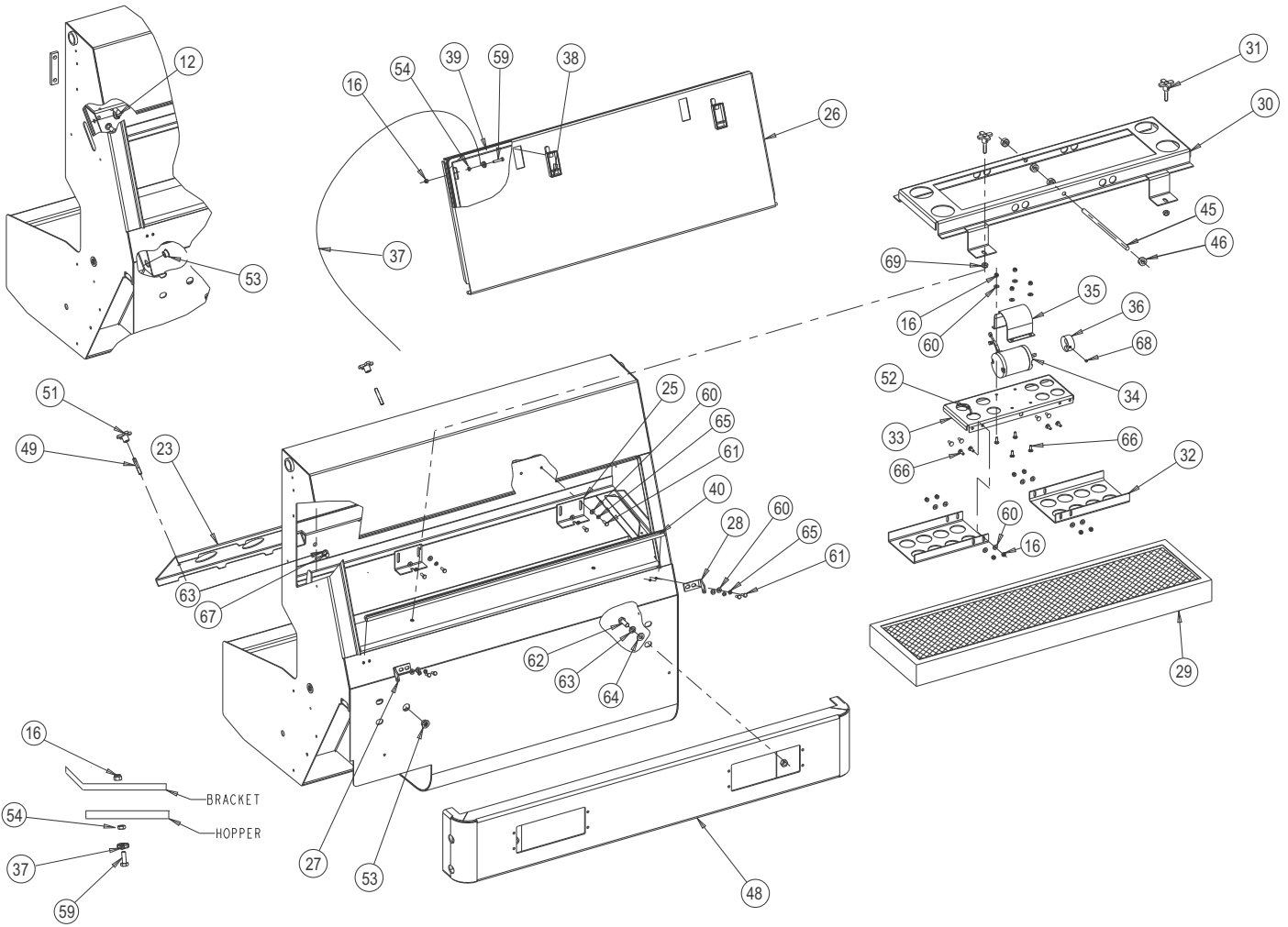
5/2009	<b>HOPPER SYSTEM - VARIABLE DUMP (Reference( - Obsolete Models)</b>		
11/2018	<b>7765</b>		<b>21</b>

<u>Item</u>	<u>Ref. No.</u>	<u>Qty</u>	<u>Description</u>
1	56514763	1	Hopper
2	56514764	1	Bracket, Impellor Mounting and Guard
3	0882-041	1	Vac Fan Motor
4	8-23-00012	1	Impellor
5	7-17-05013	Ref.	Cylinder
6	7-55-08117	3	Pin
7	8-15-01003	6	Collar
8	7-17-05020	Ref.	Cylinder
9	8-14-01010	1	Rod End
10	7-55-08127	1	Rod
11	7-29-00233	2	Gasket, Dump Door
13	56514897	1	Clamp, Hopper Flap
14	7-25-08068	1	Flap, Hopper
15	56514765	1	Dump Door, Hopper
16	56002708	31	Nut, 1/4-20 Insert Fiber
17	7-55-08121	1	Pin
18	7-68-05019	1	Seal, Outer Door
19	56514896	1	Strap, Inner Seal
20	56514895	1	Strap, Outer Seal
21	7-68-05014	2	Seal, Door Side
22	56514894	2	Clamp, Door Side Seal
24	7-68-05018	1	Seal, Dump Door
41	2-00-00776	2	Cotter Pin
42	2-00-02558	1	Lube Fitting
44	2-00-00566	4	Lube Fitting
50	8-82-00058	2	Switch
54	2-00-00594	6	Nut, Hex 1/4-20 x .437 x .218
55	7-21-04041	1	Edging, Hopper
56	2-00-02227	1	Key
57	2-00-04603	2	Clamp
59	2-00-05382	2	Hole Plug
60	2-00-03702	17	Washer, .625 x .281 x .063
61	2-00-00221	33	Screw, 1/4-20 x .750 HHC
65	2-00-00518	16	Lock Washer, Helical Spring
66	2-00-03575	12	Carriage Bolt, 1/4-20 x .750
70	2-00-00585	4	Hex Nut, .13-18 Finished
71	2-00-00530	8	Lock Washer, 5/16 Med.
72	2-00-00409	8	Flat Washer, .688 x .344 x .063
73	56002667	4	Screw, Hex .5/16-18 x .75 HHC
74	2-00-02655	4	Screw, .313-18 x 4.50 HHC
75	2-00-00402	2	Flat Washer, .750 x .391 x .093
76	2-00-03412	1	Lock Nut, .38-24 (1-piece)
77	2-00-00484	1	Spacer, .625 x .375 x .047
78	2-00-01372	4	Nut, 8-32 Fiber Insert
79	2-00-02296	2	LK Wash Ext Tooth STL/ZN
80	2-00-00090	4	Screw, 8-32 x 1.50 PH RHM
81	2-00-00432	2	Flat Washer, 1.125 x .766 x .063
82	2-00-03170	2	Spacer, .75-1.50 x .125
83	2-00-04841	2	Nut, .75-16 Slotted Hex
84	2-00-05277	2	Screw, .50-13 x .75 HSHC
85	2-00-00466	4	Wshr-Flat .625X.203X.031 STL.
86	2-00-00460	2	Wshr-Flat .438X.192X.031 STL.



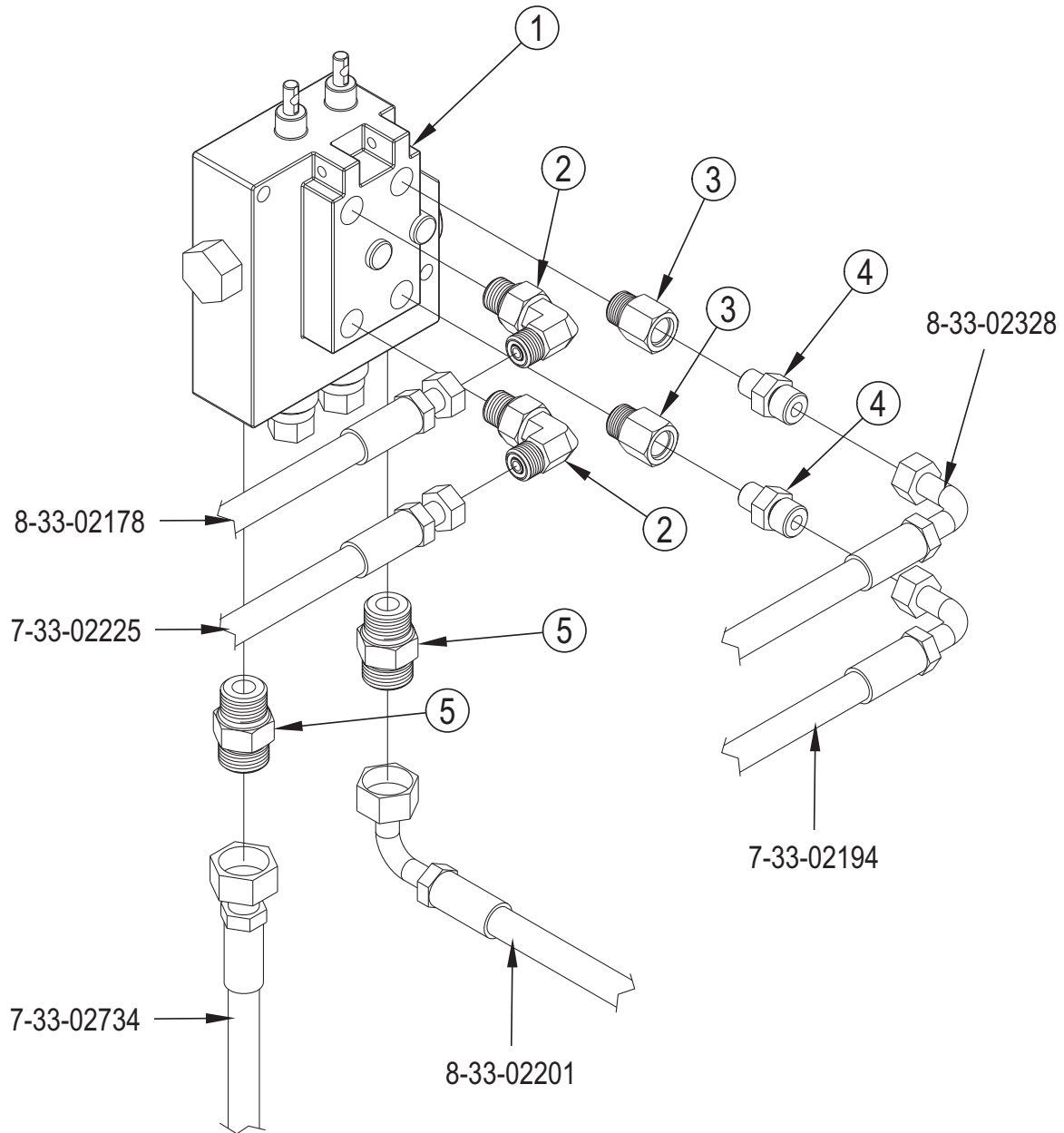
5/2009	<b>HOPPER SYSTEM - FILTER &amp; IMPELLER (Active Models)</b>		
11/2018	<b>7765</b>		<b>23</b>

Kit	Item	Ref. No.	Qty	Description
	12	2-00-00491	1	Grommet, Rub .75-.375
	16	56002708	42	Nut, Hex Nyl Loc 1/4-20
	23	56514893	1	Air Deflector, Top
	25	56514766	2	Rear Clamp
	26	56514767	1	Door-Filter Access
	27	56514768	1	Bracket Door Filter RH
	28	56514769	1	Bracket Door Filter LH
	29	7-24-04046	1	Filter Panel
		56382784	1	Filter Panel Poly High Flow (Optional)
	30	56514770	1	Filter Clamp, Weldment
	31	7-39-00027	2	Knob Assembly
	32	56514771	2	Shaker Arm
	33	56514772	1	Plate, Shaker Motor
	34	0860-623	1	Motor, Filter Shaker (12 V)
	35	56514773	1	Cover, Filter Shaker Motor
	36	56514774	1	Weight, Filter Shaker
	37	8-10-00036	1	Cable
	38	8-41-00040	2	Latch
	39	7-29-00234	1	Gasket, Hopper Access Door
	40	7-29-00235	1	Gasket, Hopper Access Door
	45	7-55-08146	1	Pin, Shaker Pivot
	46	2-00-03589	4	Collar
	48	56514776	1	Bumper
	49	7-89-07423	2	Rod, Threaded
	50	8-82-00058	2	Switch
	51	25201A	2	Knob
	52	2-00-04345	1	15.35 In Cable Tie Blk Nylon
	53	8-09-01082	2	Bushing, Star
	54	2-00-00594	4	Nut, Hex 1/4-20
	59	2-00-02587	2	Screw, 1/4-20 x 1.250 HHC
	61	2-00-00221	38	Screw, HCC 1/4-20 x .750 Gr 8 Zn
	63	2-00-02312	4	Lock Washer, 1/2 ID Med Sec Zn
	65	2-00-00518	22	Lock Washer, 1/4 Med. Section Zn
	66	2-00-03575	24	Carriage Bolt, 1/4-20 x .750 Gr 5 Zn
	68	2-00-00263	1	Set Screw, HSKCP #10-24 x 3/8
	69	56002841	2	Nut, Hex Nyl Loc Thin 3/8-16
	87	56002098	34	Flat Washer SAE 1/4.
	93	56001831	4	Screw-Hex, 1/2-13 x 1.25
	94	56001879	4	Washer, Flat SAE 1/2
	95			Frame and Shaker Attachments



5/2009	<b>HOPPER SYSTEM - FILTER &amp; IMPELLER (Reference - Obsolete Models)</b>		
11/2018	<b>7765</b>		<b>25</b>

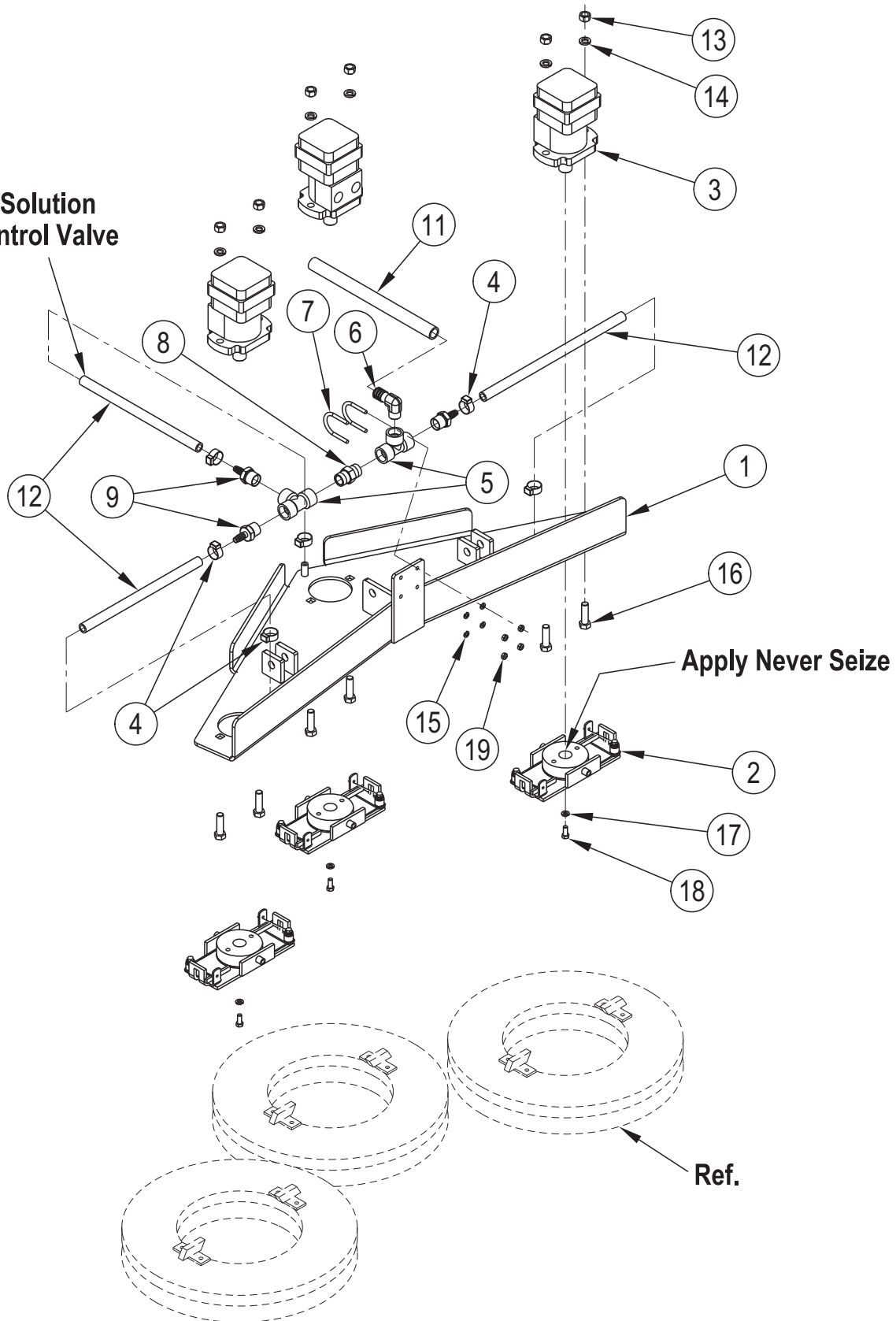
<u>Item</u>	<u>Ref. No.</u>	<u>Qty</u>	<u>Description</u>
12	2-00-00491	1	Grommet
16	56002708	6	Nut, 1/4-20 Insert Fiber
23	56514893	1	Air Deflector, Top
25	56514766	2	Rear Clamp
26	56514767	1	Filter Access Door
27	56514768	1	Bracket, Door Filter Access (RH)
28	56514769	1	Bracket, Door Filter Access (LH)
29	7-24-04046	1	Filter Panel
	56382784	1	Filter Panel Poly High Flow <b>(Optional)</b>
30	56514770	1	Filter Clamp, Weldment
31	7-39-00027	2	Knob Assembly
32	56514771	1	Shaker Arm
33	56514772	1	Plate, Shaker Motor
34	0860-623	1	Motor, Shaker
35	56514773	1	Cover, Filter Shaker Motor
36	56514774	1	Weight, Filter Shaker
37	8-10-00036	1	Cable
38	8-41-00040	2	Latch
39	7-29-00234	1	Gasket, Hopper Access Door
40	7-29-00235	1	Gasket, Hopper Access Door
45	7-55-08146	1	Pin, Shaker Pivot
46	2-00-03589	4	Collar
48	56514776	1	Bumper
49	7-89-07423	2	Stud
51	25201A	2	Knob
52	2-00-04345	1	Tye-Rap
53	8-09-01082	2	Bushing
54	2-00-00594	2	Nut, Hex 1/4-20 x .437 x .218
59	2-00-02587	2	Screw, 1/4-20 x 1.250 HHC
60	2-00-03702	20	Washer, .625 x .281 x .063
61	2-00-00221	8	Screw, 1/4-20 x .750 HHC
62	2-00-00240	4	Screw, 1/2-13 x 1.250 HHC
63	2-00-02312	4	Lock Washer, 1/2 HS Med.
64	2-00-04159	4	Washer, 9/16 x 1 3/8 x .109
65	2-00-00518	8	Lock Washer, Helical Spring
66	2-00-03575	12	Carriage Bolt, 1/4-20 x .750
67	2-00-02676	2	Screw, 1/2-13 x .75
68	2-00-00263	1	Setscrew, 1/4-20 x .250 HSKCP
69	56002841	2	Nut, 3/8-16 Stop



5/2009	<b>HOPPER SYSTEM [HOPPER CONTROL VALVE]</b>		
2/2013	<b>7765</b>		<b>27</b>

<u>Item</u>	<u>Ref. No.</u>	<u>Qty</u>	<u>Description</u>
1	2-00-04926	2	Fitting-90 Sae6 To Ors4
2	2-00-04970	2	Fitting, Str. -8 Ors X -8 Sae
3	2-00-04895	2	Fitting-Straight Connector
4	2-00-04917	2	Fitting, Reducer, -6 Orb - -4 Orb
5	8-88-00053	1	Valve - Control

To Solution Control Valve

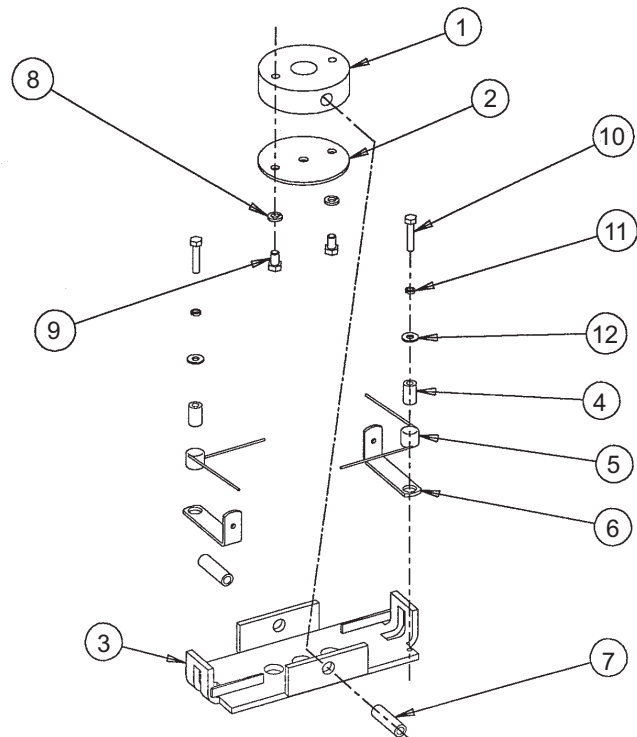


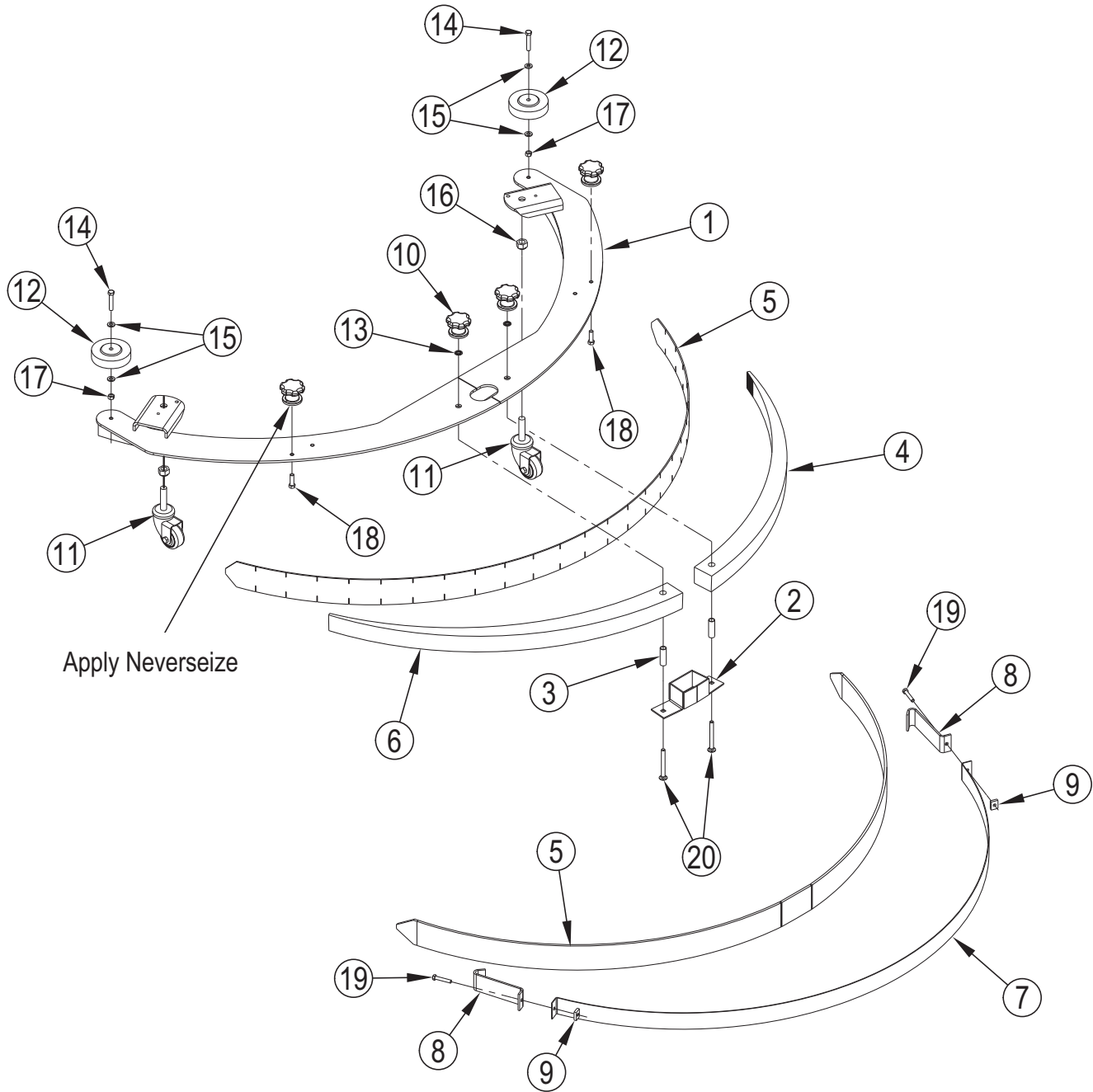


Item	Ref. No.	Qty	Description
1	56514805	1	53" Scrub Deck
*2	0702-069	3	Drive Brush Assembly
3	0782-111	3	Hyd. Scrub Motor
4	56219932	6	Clamp-Hose SAE #6
5	2-00-05662	2	Fitting, Tee
6	7-25-02053	1	90° Nipple
7	56110318	2	"U" Bolt 10-24 x R.69
8	2-00-05686	1	Nipple
9	2-00-05681	3	Nipple
11	56449850	1	Hose, Spiral
12	7-33-02324	3	Hose-Water Feed - 12.5"
13	2-00-00596	6	Nut, 1/2 - 13
14	2-00-02312	6	Washer, .50 Split
15	56001954	4	Washer, Flat SAE #10
16	2-00-00241	6	Bolt, 1/2-13 x 1.75 LG
17	2-00-00530	3	Lockwasher, 5/16
18	2-00-05087	3	Screw, 5/16 with Nylok
19	56002768	4	Nut, Hex Nyl Loc 10-24

## \*0702-069 SERVICE PARTS

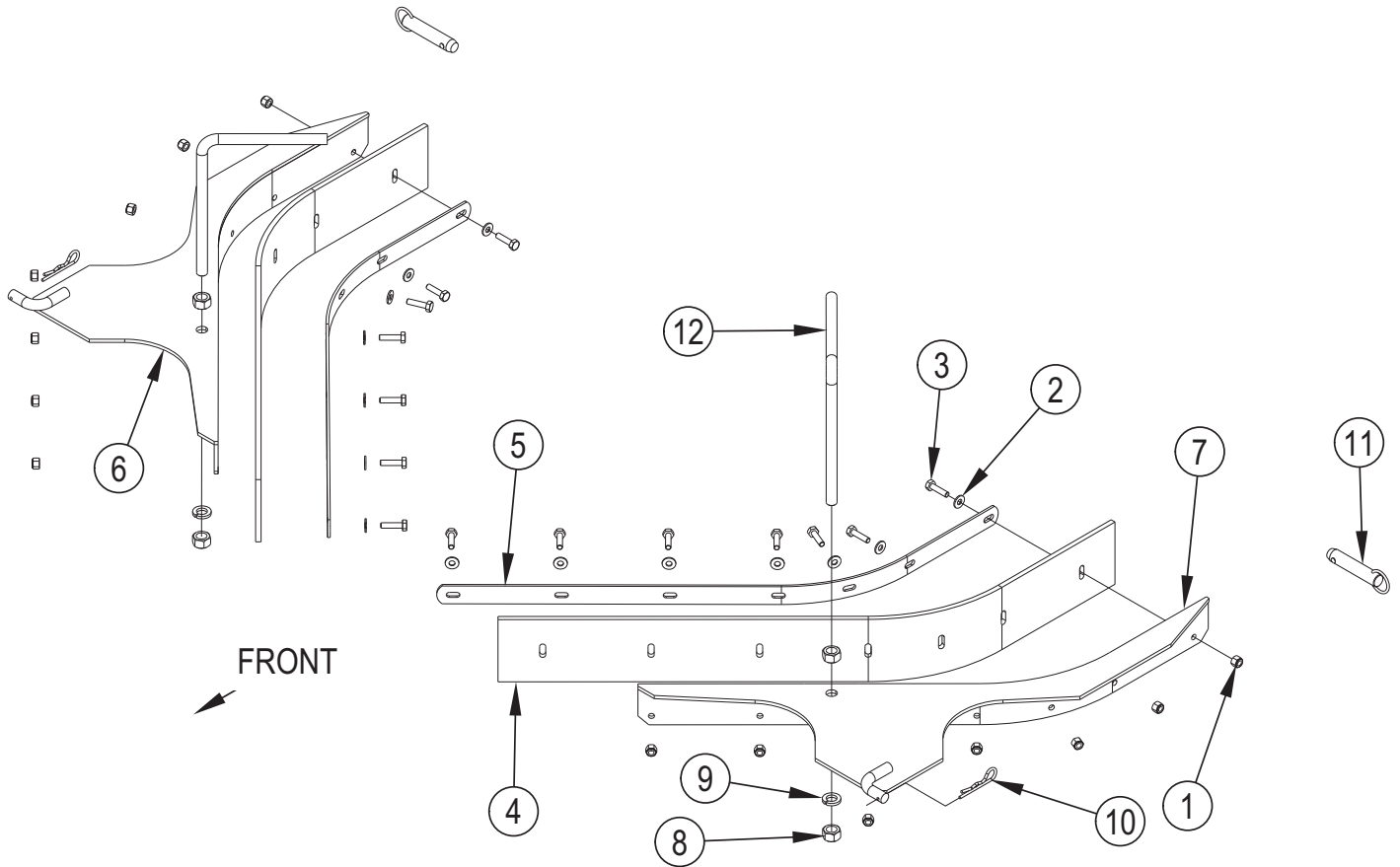
Item	Ref. No.	Qty	Description
1	7-33-09013	1	Drive Hub
2	7-58-05181	1	Hub Plate
3	7-03-04070	1	Brush Drive Arm
4	7-09-01062	2	Spacer
5	7-76-00089	2	Latch Spring
6	7-41-00007	2	Brush Latch
7	2-00-04663	2	Roll Pin
8	2-00-00530	2	5/16 Lock Washer
9	56001862	2	Screw
10	2-00-02587	2	Screw
11	2-00-00518	2	1/4 Lock Washer
12	2-00-03702	2	Washer



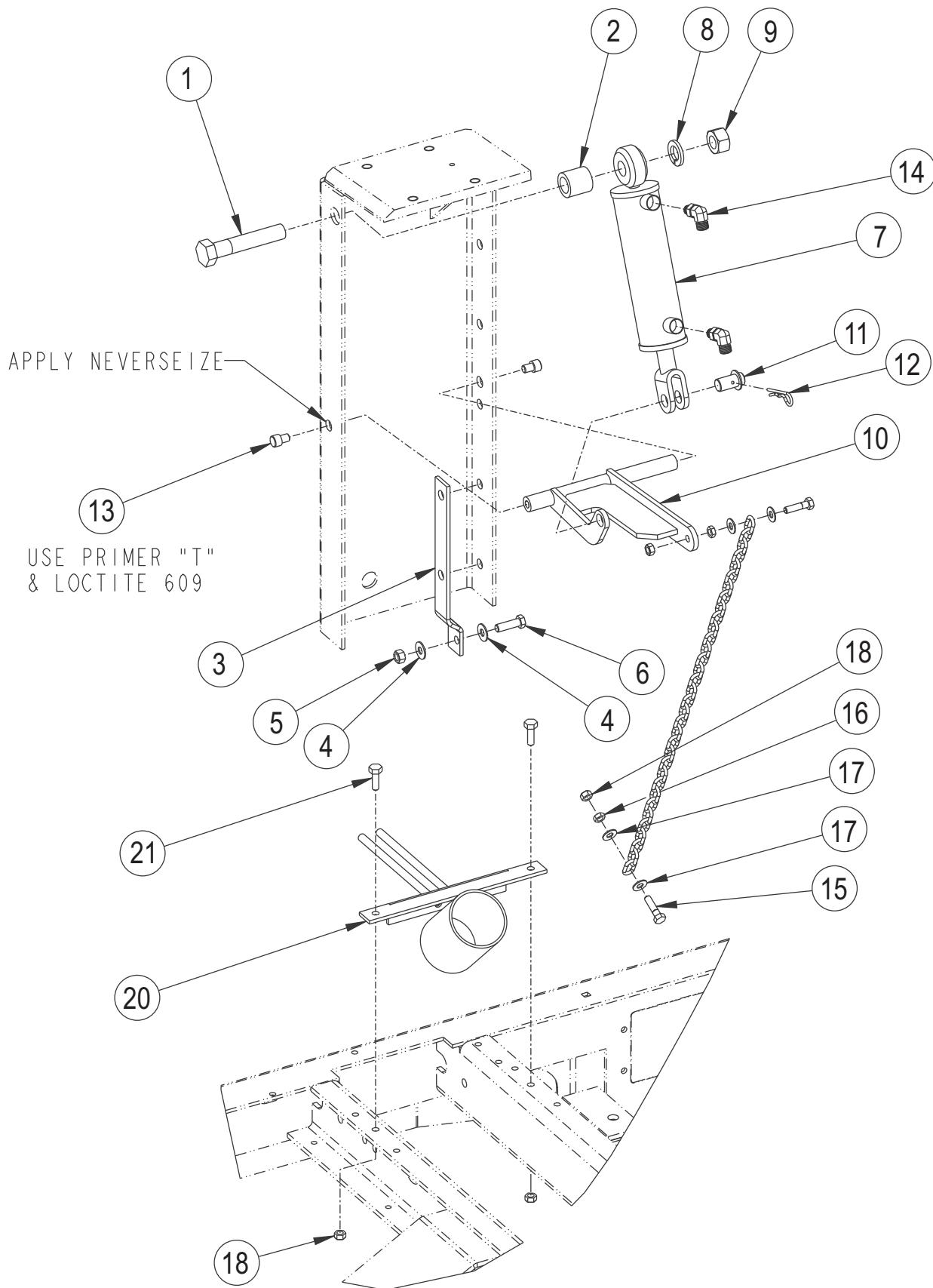


Item	Ref. No.	Qty	Description
1	56514832	1	Squeegee - Weldment
2	7-20-06009	1	Duct - Squeegee Inlet
3	7-75-01164	2	Spacer - Bushing
4	7-75-01218	1	Spacer-Squeegee
5	56514860	1	Kit, Rear Skirt, Squeegee
6	7-75-01191	1	Spacer Squeegee 60 IN.
7	7-79-00085	1	Strap - Squeegee Clamp
8	7-13-07157	2	Clamp - End Squeegee
9	7-13-07156	2	Clamp - Nut
10	56109704	4	Knob - Squeegee

Item	Ref. No.	Qty	Description
11	56304266	2	Caster Assembly
12	2-14-00184	2	Wheel
13	56394317	2	Nut-Push-Retaining-.375 X .781
14	56002091	2	Screw, 3/8-16 x 2.000 HHC
15	2-00-00402	4	Flat Washer, .750 x .390 x .094
16	2-00-00615	2	Nut, Finish Hex
17	2-00-02360	2	Nut, 3/8 -16 Hex
18	2-00-05302	2	Screw, 3/8-16 x 1.25 HHC SS
19	56002368	2	Bolt, Hex Tap 5/16-18 x 1.75 SS
20	2-00-05343	2	Bolt, Carriage, .38-16 x 3.50



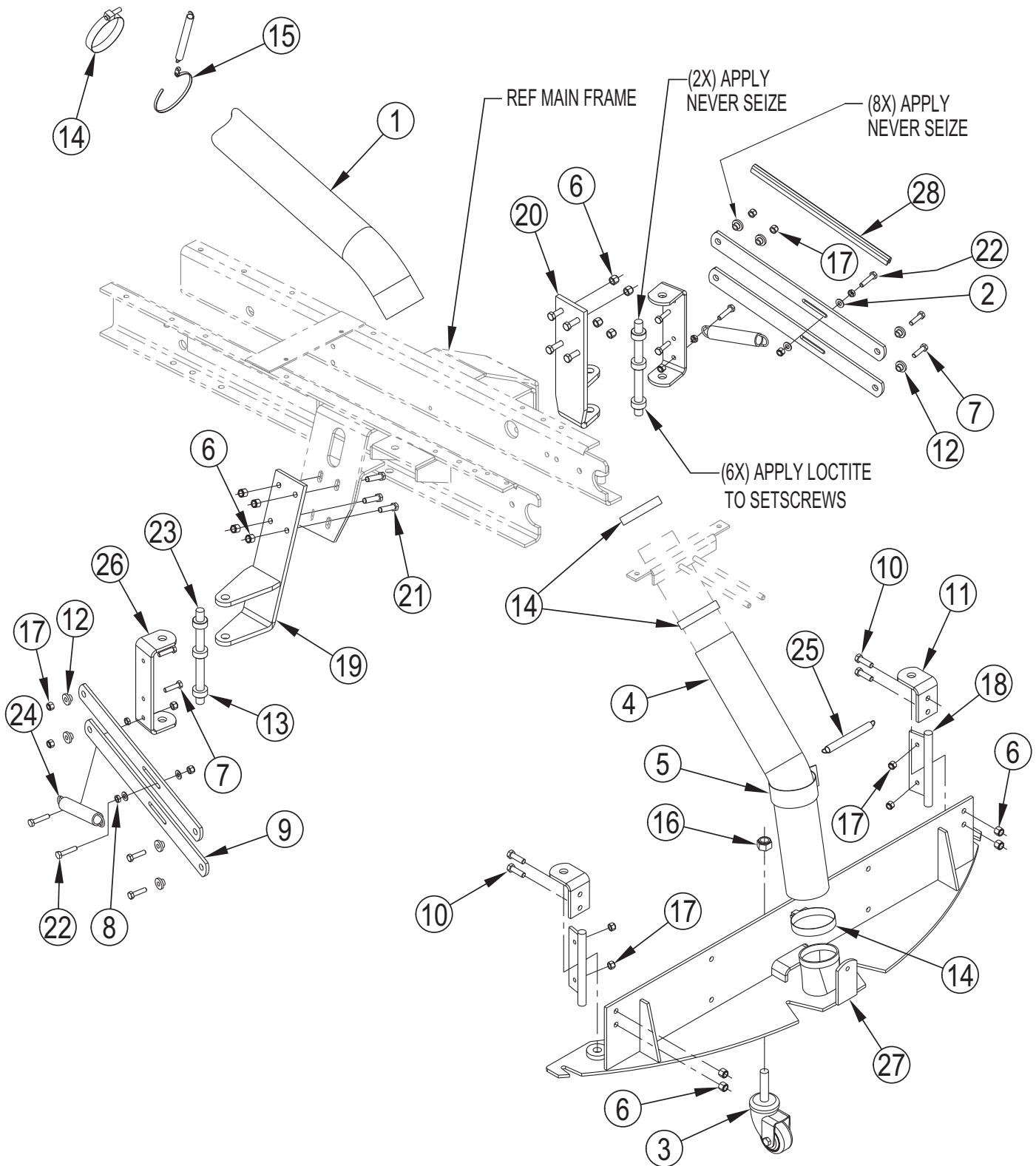
Item	Ref. No.	Qty	Description
1	56002491	14	Nut Hex Nyl Loc SS 1/4-20
2	56002859	14	Wsh Fit SAE SS 1/4
3	56002883	14	Scr Hex SS 1/4-20 X 1.00
4	56514859	1	Kit, Side Skirt, Squeegee
5	7-79-00086	2	Strap Side Squeegee
6	56514792	1	Side Squeegee Weldt RH
7	56514793	1	Side Squeegee Weldt LH
8	2-00-00596	4	Nut-Full Hex-Fin .50-13 ZN
9	2-00-02312	2	Lock Washer, 1/2 HS Med.
10	2-00-05320	2	Hair Pin
11	7-55-08121	2	Pin - Lock Up
12	7-55-08145	2	Pin - Lift



5/2009	<b>SQUEEGEE LIFT</b>		
6/2017	<b>7765</b>		<b>33</b>

<u>Item</u>	<u>Ref. No.</u>	<u>Qty</u>	<u>Description</u>
1	2-00-05345	1	Screw, 3/4-10 X 4.0 HHC
2	7-75-01166	1	Spacer
3	56514810	1	Bracket
4	2-00-00410	2	Flat Washer, .875 x .375 x .060
5	2-95-04182	1	Nut, 3/8-18 Hex Stop
6	56001858	1	Bolt, 3/8-16 x 1.25 HHC
7	7-17-05019	1	Lift Cylinder
8	2-00-00522	1	Lock Washer, 3/4 Helical Spring
9	2-00-03293	1	Nut, 3/4-10 Fin. Hex Head
10	56514811	1	Arm, Squeegee Lift
11	7-55-08147	1	Pin Assembly
12	2-00-05320	1	Cotter Pin
13	2-00-04886	2	Set Screw, 3/8-16 x 1/2 (Allen Set)
14	2-00-04892	2	Fitting, 90° Elbow (O-Ring)
15	2-00-05356	2	Screw, 3/8-18 x 1.25 Hex Head
16	2-00-00586	2	Nut, 5/16-18 Jam
17	2-00-05103	4	Flat Washer .750 x .343 x .50
18	2-00-00644	4	Nut, 5/16-18 Fiber Insert Hex <b>NOTE 1</b>
19	7-13-05074	1	Chain, Squeegee Lift
20	56514835	1	Bracket, Squeegee Lift <b>NOTE 1</b>
21	2-00-02708	2	Screw, 5/16-18 x 1.0 HHM <b>NOTE 1</b>

**NOTE 1:** Part of Kit 0780-467

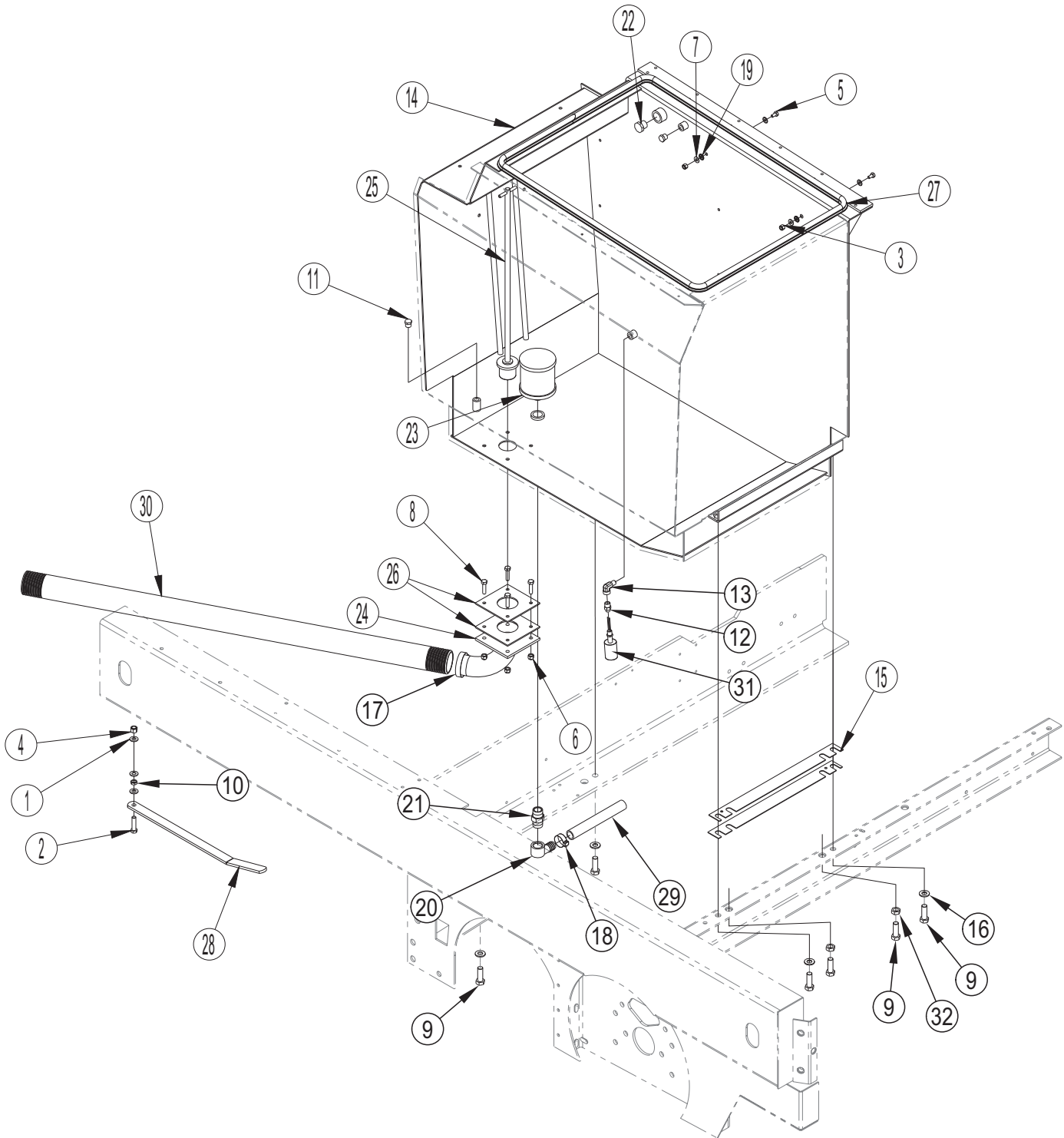


5/2009	<b>SWING SQUEEGEE SUPPORT</b>			
2/2020	<b>7765</b>			<b>35</b>

<b>Item</b>	<b>Ref. No.</b>	<b>Qty</b>	<b>Description</b>
1	7-33-02380	1	Hose-Vacuum - 78.50" <b>NOTE 1</b>
2	56001939	4	Wsh, Fit Sae 5/16
3	56304266	1	Wheel, Caster
4	56385090	1	Vacuum Hose Kit <b>NOTE 1, NOTE 2</b>
5	56385089	1	Strap-Python-16 <b>NOTE 1, NOTE 2</b>
6	56002769	12	Nut, Hex Nyl Loc 3/8-16
7	56003302	8	Scr Hex Thd/Hd Ss 5/16-18x1.25
8	56009086	4	Nut, Hex Jam 5/16-18
9	56514788	4	Arm-Squeegee
10	56001858	4	Screw, Hex 3/8-16 x 1.25
11	56514791	2	Bracket, Angle
12	7-09-01057	8	Bushing, Brush Lift
13	8-15-01002	6	Collar, W/Setscrew
14	7-13-07104	4	Hose Clamp <b>NOTE 1, NOTE 2</b>
15	56109196	2	Tie, Cable Nylon 6/6
16	2-00-00615	1	Nut, Hex, 5/8-11
17	56002701	12	Nut, Hex Nyl Loc 5/16-18
18	56514790	2	Pin-Rear Weldment
19	56514785	1	Pivot Bracket, Left
20	56514786	1	Pivot Bracket, Right
21	56002747	8	Screw, Hex Thd To Hd 3/8-16 X 1.50
22	2-00-00225	4	Screw, 5/16 - 18 X 1.5 Hhc
23	7-70-05174	2	Shaft
24	7-76-00114	2	Spring
25	7-76-00050-1	2	Spring-Extension <b>NOTE 1, NOTE 2</b>
26	56514787	2	Support-Squeegee
27	56514789	1	Weldment-Squeegee Support
28	56507900	1	Trim-Edge-.18x13.00

**NOTE 1:** Part of Kit 0780-467

**NOTE 2:** Vacuum Hose Kit 56385090 is for machines built after July 10<sup>th</sup> 2017.





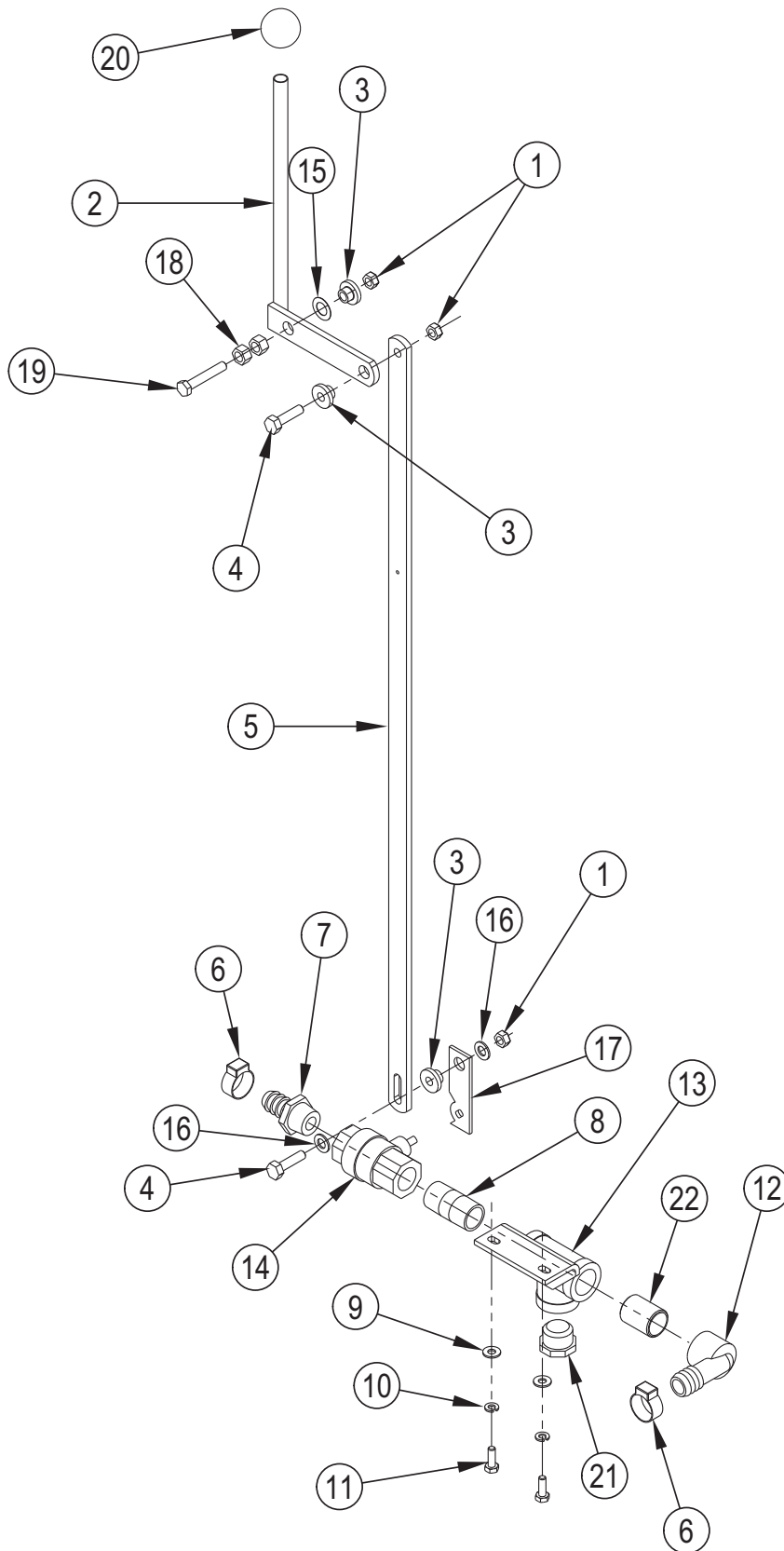
5/2009

**SOLUTION TANK**

9/2017

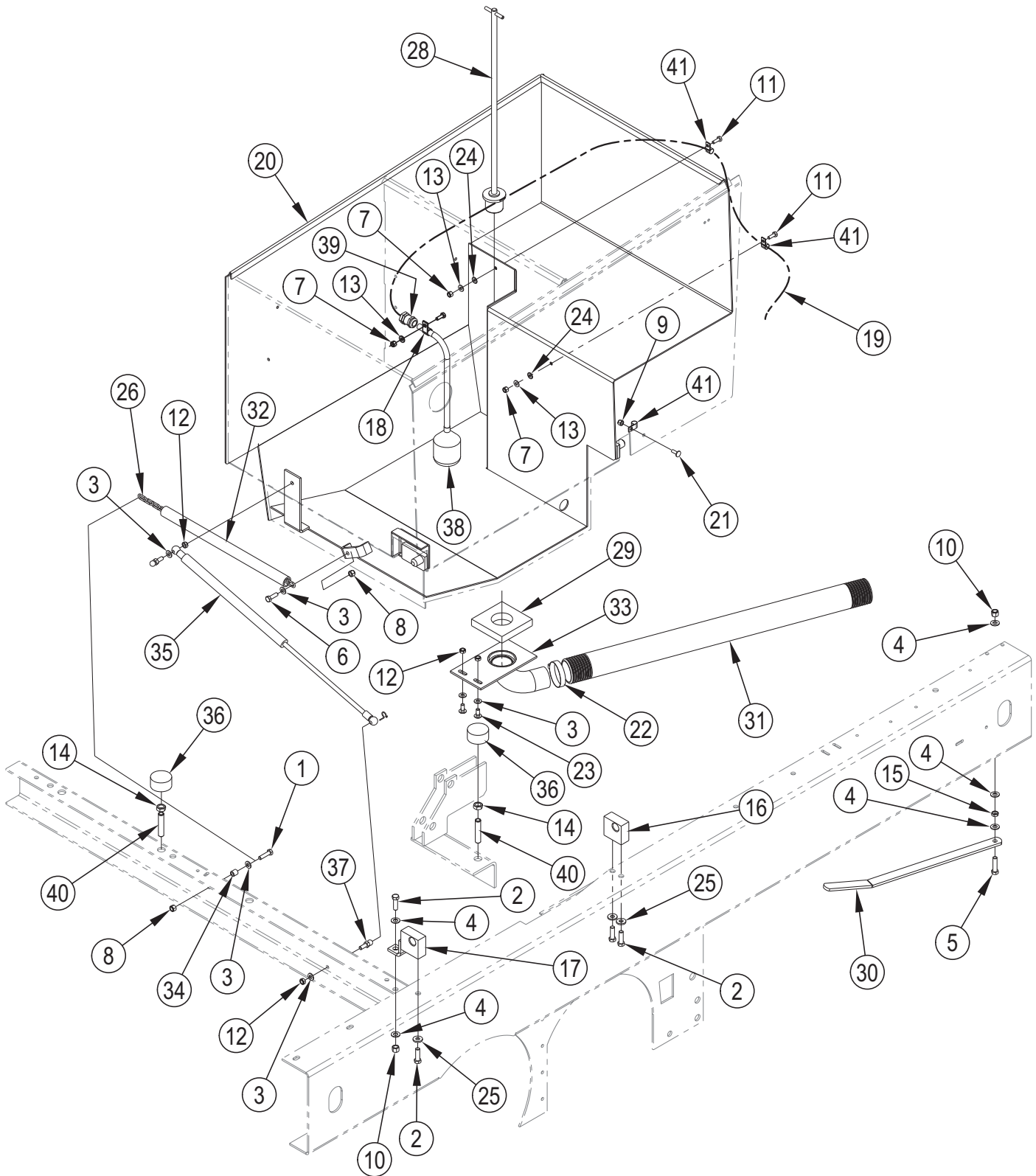
**7765****37**

<b>Item</b>	<b>Ref. No.</b>	<b>Qty</b>	<b>Description</b>
1	56002063	3	Wsh, Fit SAE 3/8
2	56002747	1	Scr-Hex 3/8-16 X 1.50
3	56002491	2	Nut, Hex Nyl Loc SS 1/4-20
4	56002769	1	Nut-Hex Nyl Loc 3/8-16
5	56002801	2	Scr- Hex SS 1/4-20 X .50
6	56002856	4	Nut, Hex Nyl Loc SS 5/16-18
7	56002859	2	Wsh-Fit SAE SS 1/4
8	56003302	4	Scr- Hex SS 5/16-18 X 1.25
9	56002954	6	Scr, Hex Hd Loc 1/2-13x1.50
10	56009085	1	Nut-Hex Jam 3/8-16
11	2-00-05940	2	1/4 Npt Plug Nylon
12	2-00-06528	1	Reducer 1/4"Npt X 1/8"Npt Nylon
13	2-00-06529	1	Elbow 1/4 Npt 90 Elbow
14	56514830	1	Solution Tank, Stainless Steel <b>(Standard)</b>
	56514871		Solution Tank, Mild Steel <b>(Option)</b>
15	56514831	2	Spacer
16	2-00-00405	4	Flat Washer, 1.063 X .531 X .094
17	56440213	1	Hose Clamp
18	2-00-02220	1	Clamp, Hose
19	56900737	4	Washer, Sealing
20	2-00-05132	1	Fitting-Elbow
21	2-00-05686	1	Fitting, 3/4" Npt Nipple, Nylon
22	2-00-05724	1	Fitting, Plug, 3/4" Npt
23	7-24-04022	1	Strainer, Pump Inlet
24	7-25-02046	1	Fitting
25	7-25-02095	1	Drain Plug Assy
26	7-29-00100	2	Gasket-Tank Drain
27	7-29-00176	1	Seal, Solution Tank
28	7-32-03020	1	Holder, Hose
29	7-33-02178	1	Hose-Sol Tank To Valve
30	7-33-02335	1	Hose
31	7-82-00017	1	Switch, Liquid Level
32	56009016	2	Nut, 1/2-13



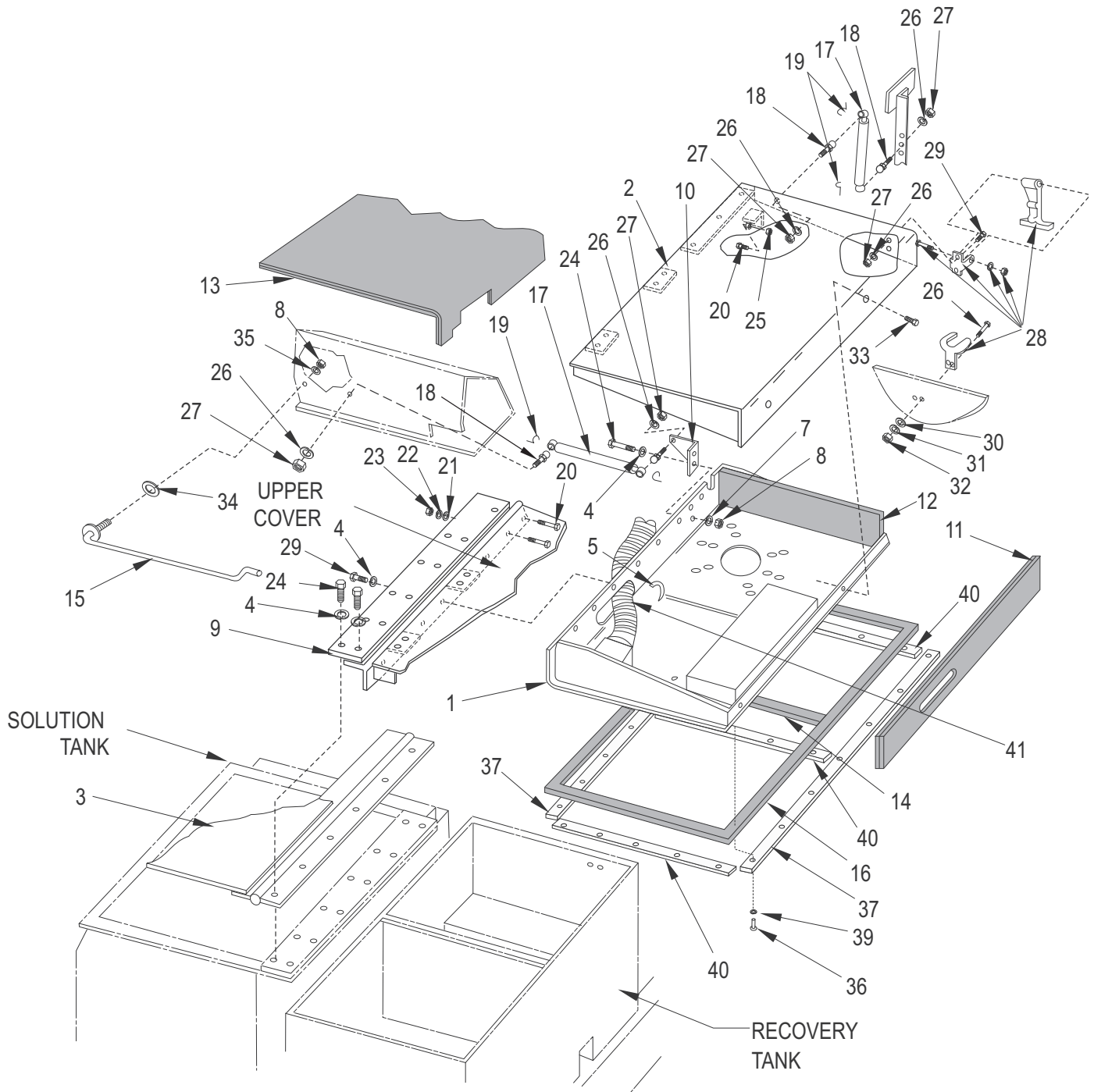
5/2009	<b>SOLUTION FEED LINKAGE</b>		
11/2018	<b>7765</b>		<b>39</b>

<u>Item</u>	<u>Ref. No.</u>	<u>Qty</u>	<u>Description</u>
1	56002701	3	Nut, Hex Nylon Loc 5/16 - 18
2	7-41-05086	1	Solution Control Lever
3	7-09-01057	3	Bushing
4	56001834	2	Screw, 5/16 - 18 x 1.250
5	56514784	1	Solution Control Link
6	2-00-03407	2	Hose Clamp
7	7-25-02052	1	Hose Fitting, 3/4 Barbed, 14 NPT Nylon
8	2-00-03586	2	Pipe Nipple, 3/4 NPT x 2.00 short
9	56002098	2	Flat Washer, SAE 1/4
10	2-00-00518	2	Lock Washer, Helical Spring 1/4 Med
11	2-00-00221	2	Screw, 1/4 - 20 x .750 HHC
12	2-00-05132	1	Fitting, 3/4 NPT, 3/4 Barbed, 90°, Nylon
13	7-08-00437	1	Bracket, Solution Pipe
14	7-88-00027	1	Ball Valve
15	2-00-03382	1	Spring Washer, .875 x .500 x .015
16	56001939	2	Flat Washer, SAE 5/16
17	7-41-05085	1	Solution Valve Lever
18	2-00-02360	2	Nut, Hex 3/8 x 16
19	2-00-00211	1	Screw, 5/16 - 18 x 1.750 HHC
20	8-39-00002	1	Knob
21	2-00-05724	1	Plug, Pipe, 3/4 NPT, Nylon
22	2-00-05686	1	Ftg-3/4 Npt X 2 Nipple Nylon



5/2009	<b>RECOVERY TANK</b>			
2/2020	<b>7765</b>			<b>41</b>

Item	Ref. No.	Qty	Description
1	56001834	1	Scr-Hex 5/16-18 X 1.25
2	56001858	4	Scr-Hex 3/8-16 X 1.25
3	56001939	6	Wsh, Fit SAE 5/16
4	56002063	5	Wsh, Fit SAE 3/8
5	56002747	1	Scr-Hex 3/8-16 X 1.50
6	56002221	1	Scr-Hex 5/16-18 X 1.00
7	56002850	8	Nut Hex Nyl Loc-Thin Ss 1/4-20
8	56002701	2	Nut, Hex Nyl Loc 5/16-18
9	56002708	1	Nut, Hex Nyl Loc 1/4-20
10	56002769	2	Nut-Hex Nyl Loc 3/8-16
11	56002807	5	Scr- Hex SS 1/4-20 X .75
12	56002826	4	Nut, Hex Nyl Loc-Thin 5/16-18
13	2-00-04687	2	Lk Wash Hel..25scr Med Sec S/S
14	56009016	2	Nut, Hex Jam 1/2-13
15	56009085	1	Nut-Hex Jam 3/8-16
16	56514753	1	Support
17	56514841	1	Weldment Bracket
18	56486112	1	Clamp
19	8-43-00002	1	Loom - Electrical
20	56514775	1	Recovery Tank - Stainless Steel <b>(Standard)</b>
	56514870	1	Recovery Tank - Mild Steel <b>(Option)</b>
21	2-00-00183	1	Screw, 1/4-20, Round Head
22	2-00-02216	1	Hose Clamp
23	2-00-03569	2	Bolt, Carriage
24	56900737	7	Washer, Sealing
25	2-00-04801	3	Flat Washer, 1.00 X .39 X .06
26	7-13-05073	1	Chain-Squeegee Lift
28	7-25-02095	1	Drain Plug Assy
29	7-29-00146	1	Gasket
30	7-32-03020	1	Holder, Hose
31	7-33-02336	1	Hose, 50.00
32	7-34-09018	1	Sleeve-Insulating
33	7-56-05023	1	Weldment-Fitting
34	7-75-01130	1	Spacer
35	7-76-00103	1	Gas Spring
36	7-78-05009	2	Stop, 1/2-13
38	7-82-00021	1	Switch Float (Red)
39	8-09-01083	1	Connector, Bulkhead
40	8-80-05014	2	Stud, 1/2-13unc-2a X 2.50
41	56323260	4	Clamp Cable

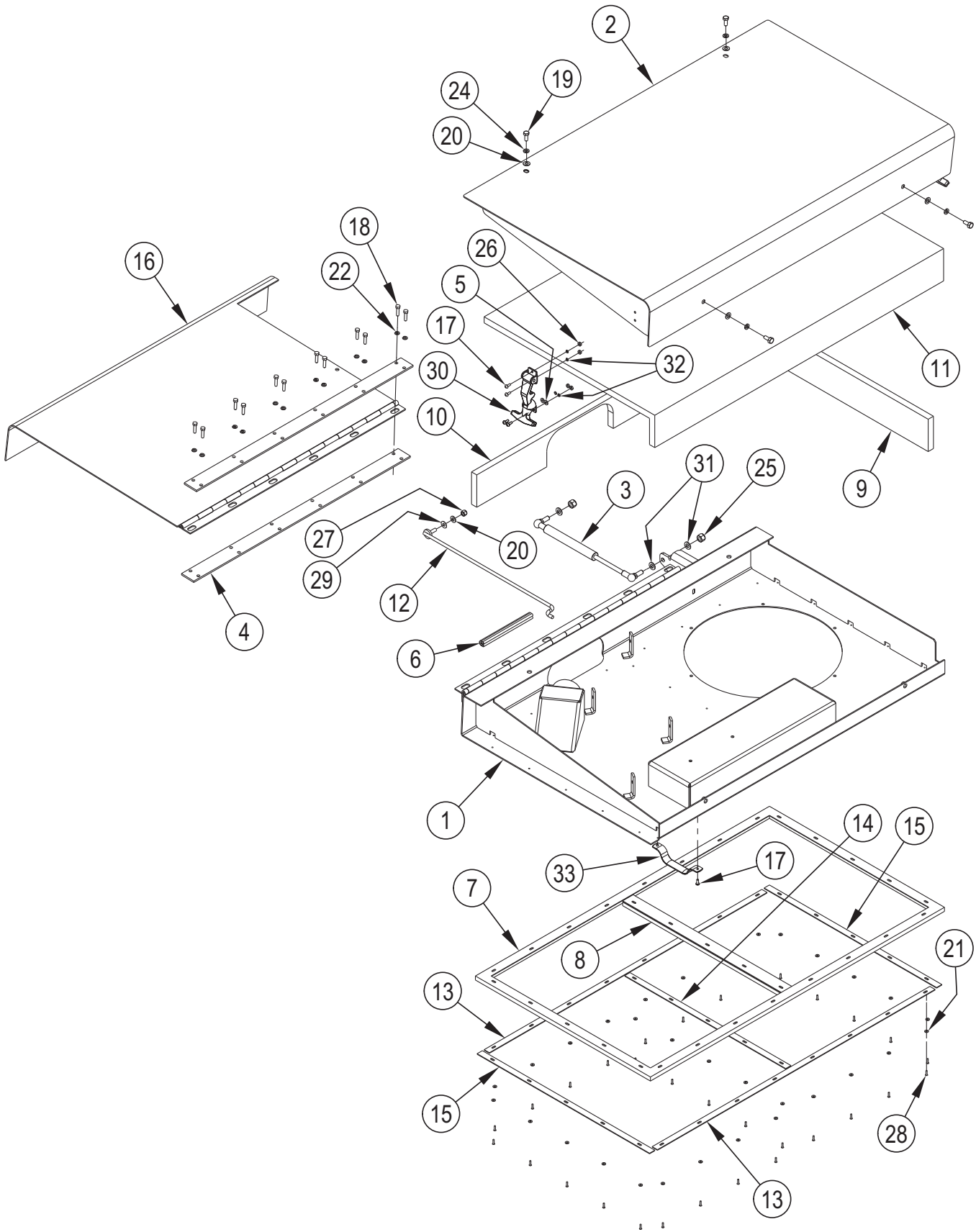


5/2009	TANK LID SYSTEM [BEFORE JANUARY 2009]			
6/2017	7765			43

Item	Ref. No.	Qty	Description
1	56514794	1	Recovery Tank Lower Cover
2	56514795	1	Recovery Tank Upper Cover
3	56514796	1	Solution Tank Cover
4	2-00-03702	2	Flat Washer, 1/4
5	3-73-00076	2.33'	Edging
6	2-00-02708	2	Screw, 5/16-18 x 1.0 HHC
7	2-00-01803	6	Flat Washer, 5/16
8	2-00-00644	1	Nut, Hex Fiber Insert 5/16-18
9	56514833	2	Strap
10	7-08-00490	1	Bracket
11	7-34-09020	1	Lower Cover Insulation
12	7-34-09019	1	Lower Cover Insulation
13	7-34-09021	1	Lower Cover Insulation
14	7-29-00229	1	Gasket, Center Section
15	7-66-00145	1	Cover Support Rod
16	7-29-00228	1	Gasket, Perimeter
17	7-76-00104	2	Gas Spring
18	7-80-05067	4	Stud (13 mm)
19	7-13-07102	4	Clip
20	56001968	1	Screw, 1/2-13 x 1.50 HHC
21	2-00-00518	6	Lock Washer, 1/4
22	2-00-00594	2	Nut, Hex 1/4-20 x .437 x .218
23	2-00-04876	8	Screw, 1/4-20 x 1/2 BHS
24	2-00-00205	14	Screw, 1/4-20 x 1.0 HHC
25	2-00-00596	1	Nut, Hex 1/2-13 x .750 x .437
26	2-00-00530	8	Lock Washer, 5/16 Helical Spring
27	2-00-00585	6	Nut, 5/16-18
28	8-41-00033	1	Latch Assembly
29	2-00-00049	4	Screw, 10-24 x 1/2
30	2-00-01974	2	Sealing Washer, .562 x #10 x .065
31	2-00-00519	4	Lock Washer, #10 Helical Spring
32	2-00-00605	4	Nut, Hex MS #10-24 x .375 x .125
33	2-00-00208	2	Screw, 5/16-18 x 3/4 HHC
34	7-23-03048	1	Spring Washer, .750 x .312 x .013
35	2-00-00409	3	Flat Washer, 5/16
36	2-00-04707	31	Pop Rivet, .125 Dia.
37	7-79-00081	2	Strap, Gasket Retainer
38	7-79-00082	1	Strap, Gasket Retainer
39	56002006	31	Flat Washer #6
40	7-79-00087	2	Strap, Gasket Retainer
41	0780-467	1	Vac Hose

Key No.s 4, 5 and 6 must be ordered together for proper fit.

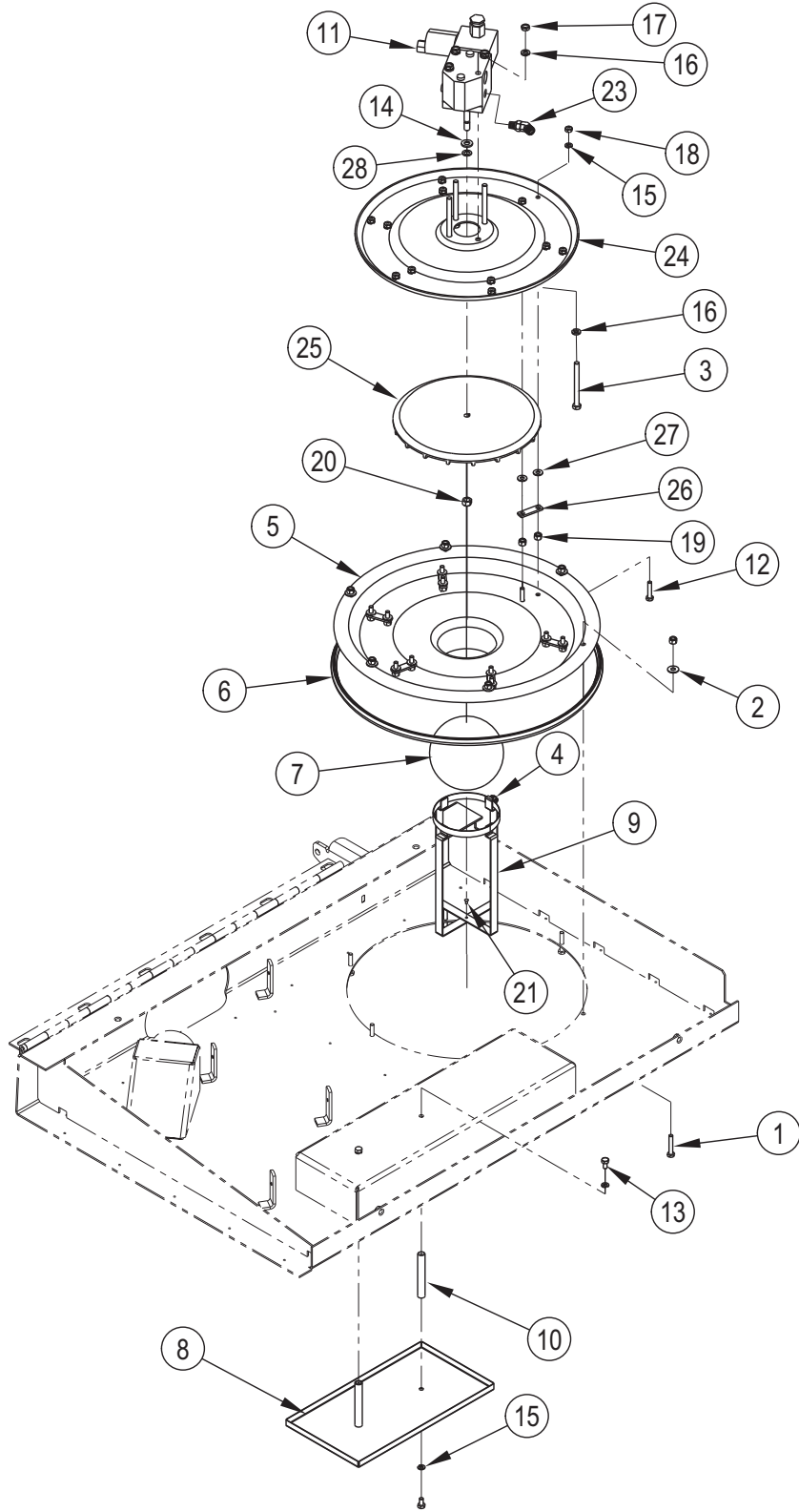
Lid Gasket Kit: 0880-644





5/2009	<b>TANK LID SYSTEM [AFTER DECEMBER 2008]</b>		
2/2020	<b>7765</b>		<b>45</b>

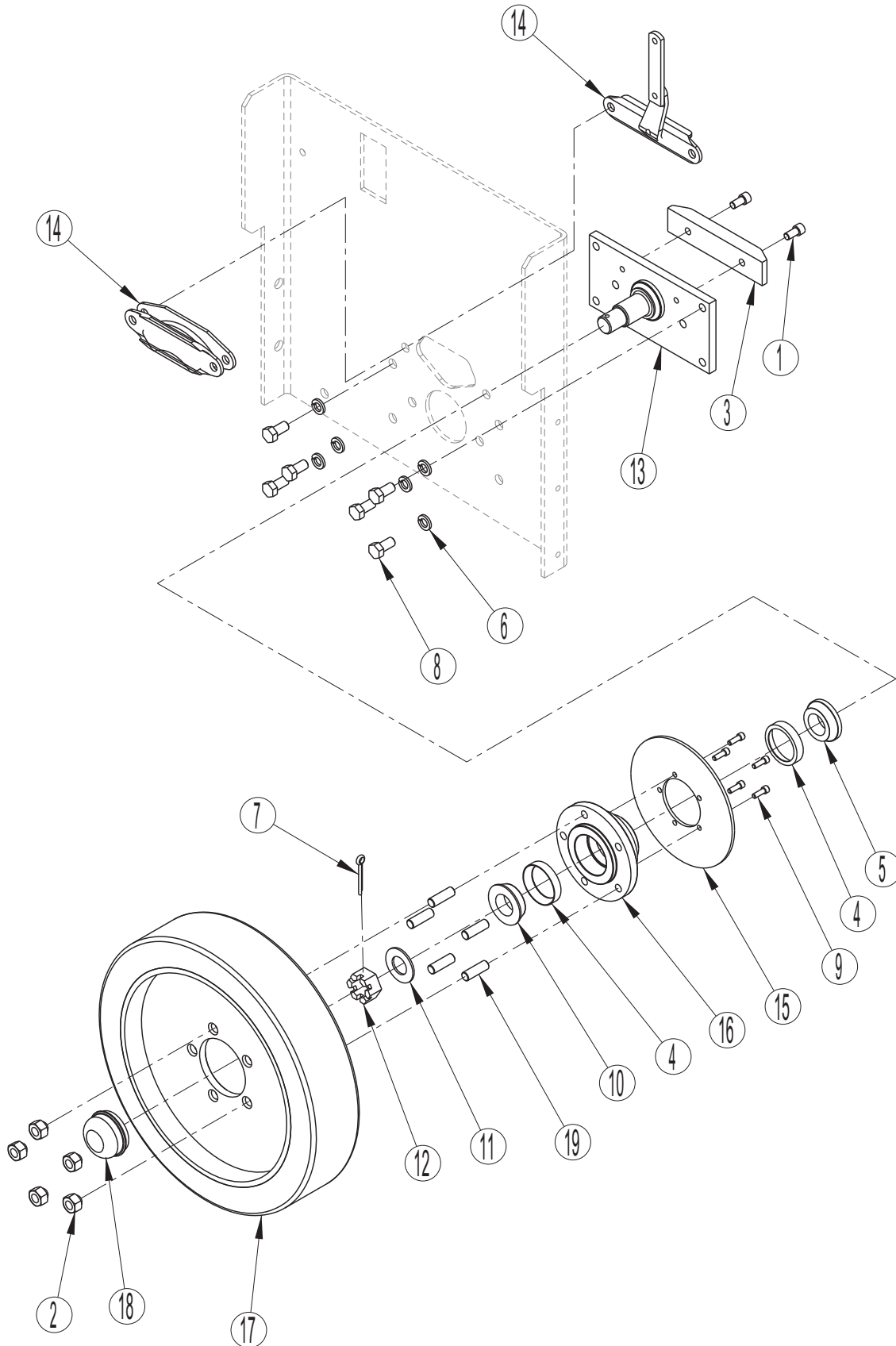
<u>Item</u>	<u>Ref. No.</u>	<u>Qty</u>	<u>Description</u>
1	56109425	1	Weldment, Cover Lower
2	56109428	1	Cover-Upper Weldment
3	56382993	1	Cylinder-Hood-16.9 In <b>TSB-FC-2013-137</b>
4	56514833	2	Strap
5	2-00-01974	6	Sealing Washer
6	56514923	1	Uni-Grip Gasket Sd-136
7	7-29-00228	1	Gasket-Cover-Recovery Tank
8	7-29-00229	1	Gasket-Cover-Recovery Tank
9	7-34-09019	1	Insulation-Lower Cover
10	7-34-09020	1	Insulation-Lower Cover
11	7-34-09021	1	Insulation-Recovery Tank Top Cover
12	7-66-00145	1	Rod Cover Support
13	7-79-00081	2	Strap-Gasket Retainer
14	7-79-00082	1	Strap-Gasket-Retainer
15	7-79-00087	2	Strap-Gasket Ret. Rec Lid 7700
16	56514796	1	Cover, Weldment
17	2-00-00049	10	Scw-Rhm 10-24 X .50 Zn Pl
18	56002093	12	Scr Hex 1/4-20 X 1.00
19	56002667	4	Scr Hex 5/16-18 X .75
20	56001939	5	Wsh Flt Sae 5/16
21	56002006	31	Washer, .375 X .156 X .046
22	2-00-00518	12	Washer,Lock,1/4" Helical Spring
24	2-00-00530	4	5/16" Lock Washer
25	56003406	2	Nut Hex Nyl Loc M10 X 1.50
26	2-00-00605	8	Nut-Hex-Mac-Scr 10-24 Stl/Zn
27	56002701	1	Nut Hex Nyl Loc 5/16-18
28	2-00-04707	31	Rivet
29	7-23-03048	1	Washer-Spr-Shakeproof
30	8-41-00033	2	Latch Assembly
31	56003957	3	Wsh-Flt 10MM
32	2-00-00519	10	Lk Wash 10 Med Sec Zn
33	56394398	1	Handle-Pull-Stainless Steel



5/2009	<b>VACUUM MOTOR &amp; FLOAT</b>		
11/2018	<b>7765</b>		<b>47</b>

Kit	Item	Ref. No.	Qty	Description
	1	56001833	6	Scr. Hex 1/4-20 X 1.50
	2	56001906	6	Wsh. Flt Std 1/4
	3	56002827	4	Screw, Hex SS 5/16-18 X 3.50
	4	2-00-03959	1	Clamp, 4.5 Dia
	5	7-20-06004	1	Fan Duct
	6	56109431	1	Edging
	7	7-26-04011	1	Float Ball
	8	7-68-00025	1	Screen
	9	7-79-00061	2	Strap-Float Ball
	10	7-81-00134	2	Support-Screen
	11	0782-145	1	Vacuum Motor
	[ ]	56382842		Block-Hyd Motor Manifold
	[ ]	7-70-00020		Seal Kit
	[ ]	7-14-07007		Coil
	[ ]	7-12-02019		Valve
	12	56001878	12	Screw, Hex 1/4-20 X 1.25
	13	56002801	4	Screw, Hex SS 1/4-20 X .50
	14	2-00-00402	1	Washer, 25/64" ID X 3/4" Od
	15	2-00-00518	16	Washer, Lock, 1/4" Helical Spring
	16	2-00-00530	8	5/16" Lock Washer
	17	56009086	4	Nut, Hex Jam 5/16-18
	18	2-00-00594	12	Nut, Hex 1/4-20
	19	56002708	18	Nut, Hex Nyl Loc 1/4-20
	20	2-00-03412	1	Nut, Lock 3/8-24
	21	2-00-04115	1	Rivet
	23	2-00-04976	1	Fitting, -4 Orb X -4 Ors Elbow. 45
	24	7-16-07276	1	Cover, Fan
	25	7-34-04002	1	Impeller
	26	7-75-01159	6	Spacer
	27	56002098	12	Washer, Flt SAE 1/4
	28	2-00-00484	1	Flat Washer .625 X .375 X .046

[ ] = Not Shown



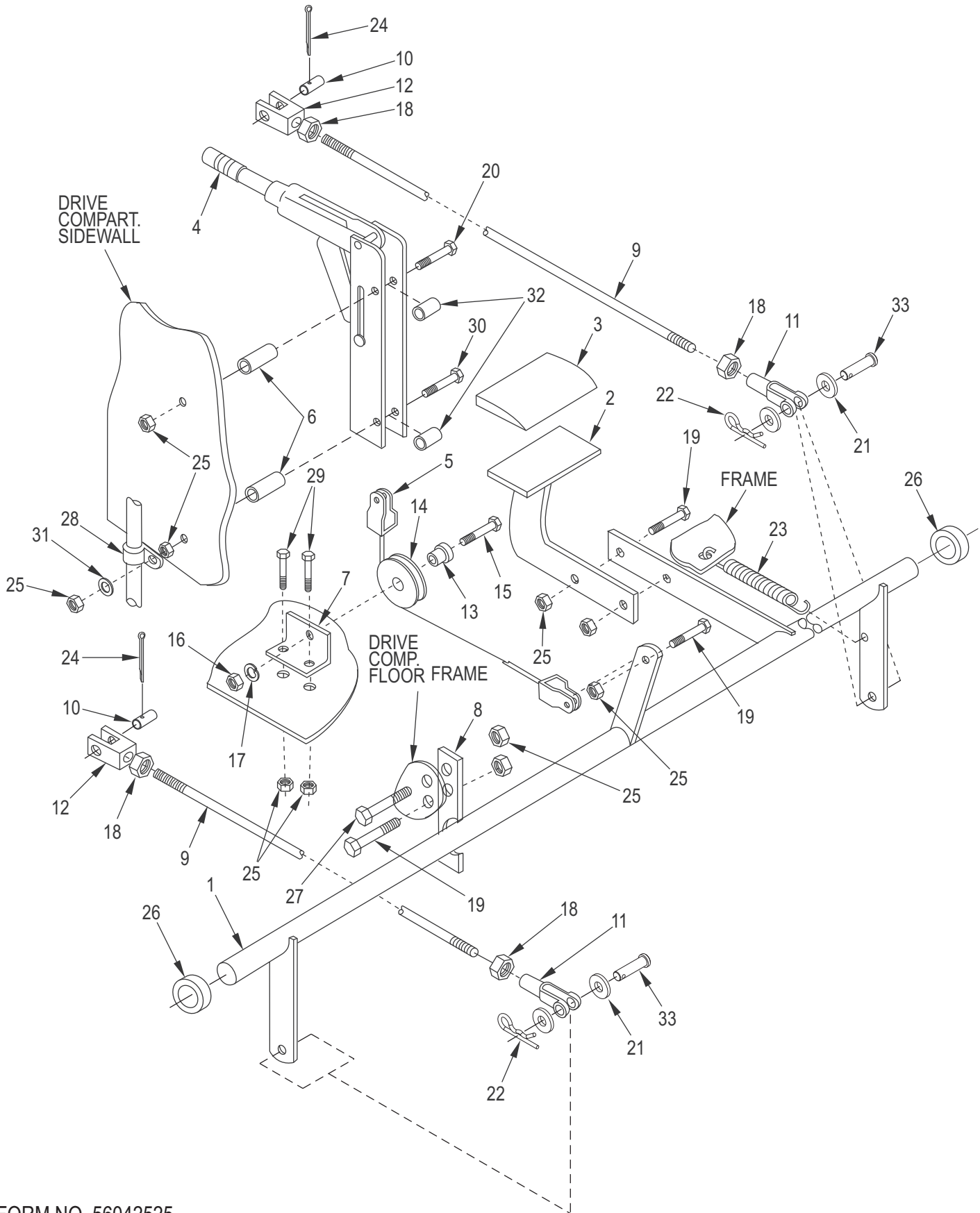
5/2009

**FRONT WHEEL & BRAKE**

11/2018

**7765****49**

<b>Item</b>	<b>Ref. No.</b>	<b>Qty</b>	<b>Description</b>
1	56003080	2	Scr. Soc Hd 3/8-16 X 0.75
2	56009116	5	Nut- Lug 1/2-20
3	56382856	1	Guide-Hopper UHMW
4	2-00-04621	2	Bearing Cup
5	2-00-02079	1	Bearing Cone W/ Seal
6	2-00-02312	6	Washer, 1/2" Lock
7	2-00-02436	1	Pin, Cotter
8	2-00-02689	6	Screw, 1/2-13 X 1.00 Lg. HHC
9	56003826	5	Screw, SHCS 1/4-20 X .75
10	2-00-04622	1	Cone Timken Bearing
11	2-00-05024	1	Washer-Flat
12	2-00-05026	1	1" X 14 Slotted Nut
13	7-03-09007	1	Front Axle
14	7-08-02006	1	Weldment-Brake Caliper Assy
15	7-08-02007	1	Brake Disc
16	7-33-09027	1	Hub-Front Wheel
17	7-89-08098	1	Wheel Assembly, Front
18	8-11-00030	1	Grease Cap
19	8-80-05036	5	Stud



5/2009

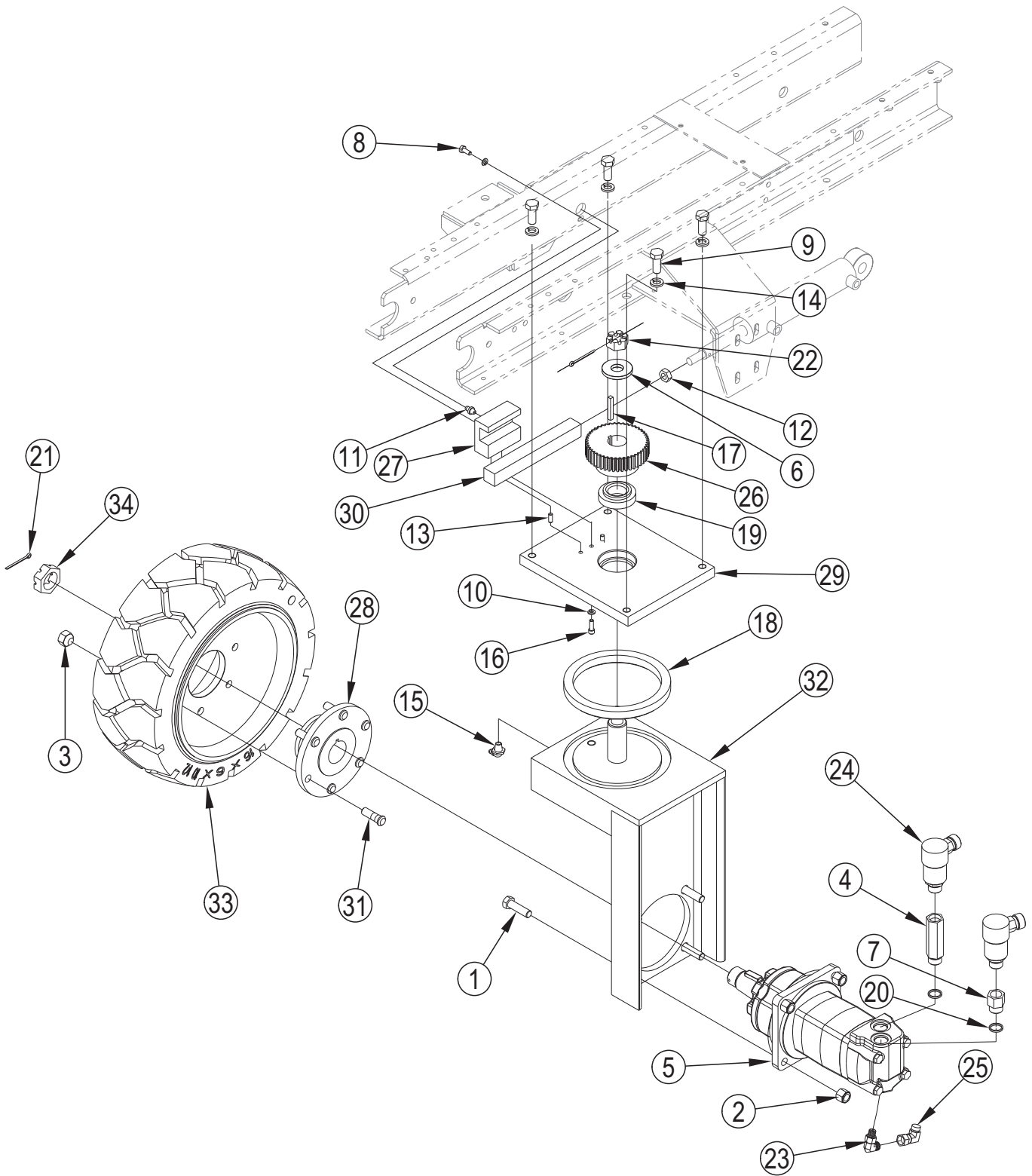
**BRAKE LINKAGE**

5/2020

**7765****51**

<u>Item</u>	<u>Ref. No.</u>	<u>Qty</u>	<u>Description</u>
1	7-70-05145	1	Cross Shaft
2	56514754	1	Brake Pedal
3	8-50-05063	1	Pad, Brake Pedal
4	7-41-05083	1	Lever, Parking Brake
5	7-10-00019	1	Cable, Parking Brake
6	7-75-01096	2	Spacer, Lever Mounting
7	7-08-00501	1	Bracket, Brake Pulley
8	7-08-00502	1	Bracket, Brake Cross Shaft
9	7-66-00143	2	Rod, Brake
10	7-55-08122	2	Pin, Brake Clevis
11	8-14-01001	2	Clevis, 3/8 Rod
12	8-14-01007-1	2	Clevis, Brake Pedal
13	8-09-01065	1	Bushing, Pulley
14	8-60-00140	1	Pulley
15	56002747	1	Screw, 3/8-16 x 1.50 HHC
16	56002841	1	Nut Hex Nyl Loc-Thin 3/8-16
17			<b>DELETED</b>
18	56009085	4	Nut Hex Jam 3/8-16
19	2-00-00206	5	Screw, 5/16-18 x 1.0
20	2-00-01770	1	Screw, 5/16-18 x 2.75 HHC
21	2-00-04801	4	Wshr-Flat .875x.380x.120th Zn
22	56003222	2	Pin Cot Hair .125 X Dia.50/.75
23	7-76-00102	1	Spring
24	56001882	2	Pin Cot .06 X .75
25	56002701	12	Nut Hex Nyl Loc 5/16-18
26	7-15-01014	2	Collar w/setscrew, 1.625 x 1.00 x .750
27	56001834	1	Screw, 5/16-18 x 1.25 HHC
28	56385491	1	Clamp-P-.50 Dia G S
29	56002667	2	Scr Hex 5/16-18 X .75
30#	56003463	1	Screw, 5/16-18 x 3.25 HHC
31	56001939	1	Wsh Flt SAE 5/16
32	7-75-01126	2	Spacer, .500 x .327 x .780 (Part of #4)
33	56004121	2	Pin-Clevis .51x1.125 SS

# = Revised or new since last update





5/2009	<b>REAR WHEEL</b>			
11/2018	<b>7765</b>			<b>53</b>

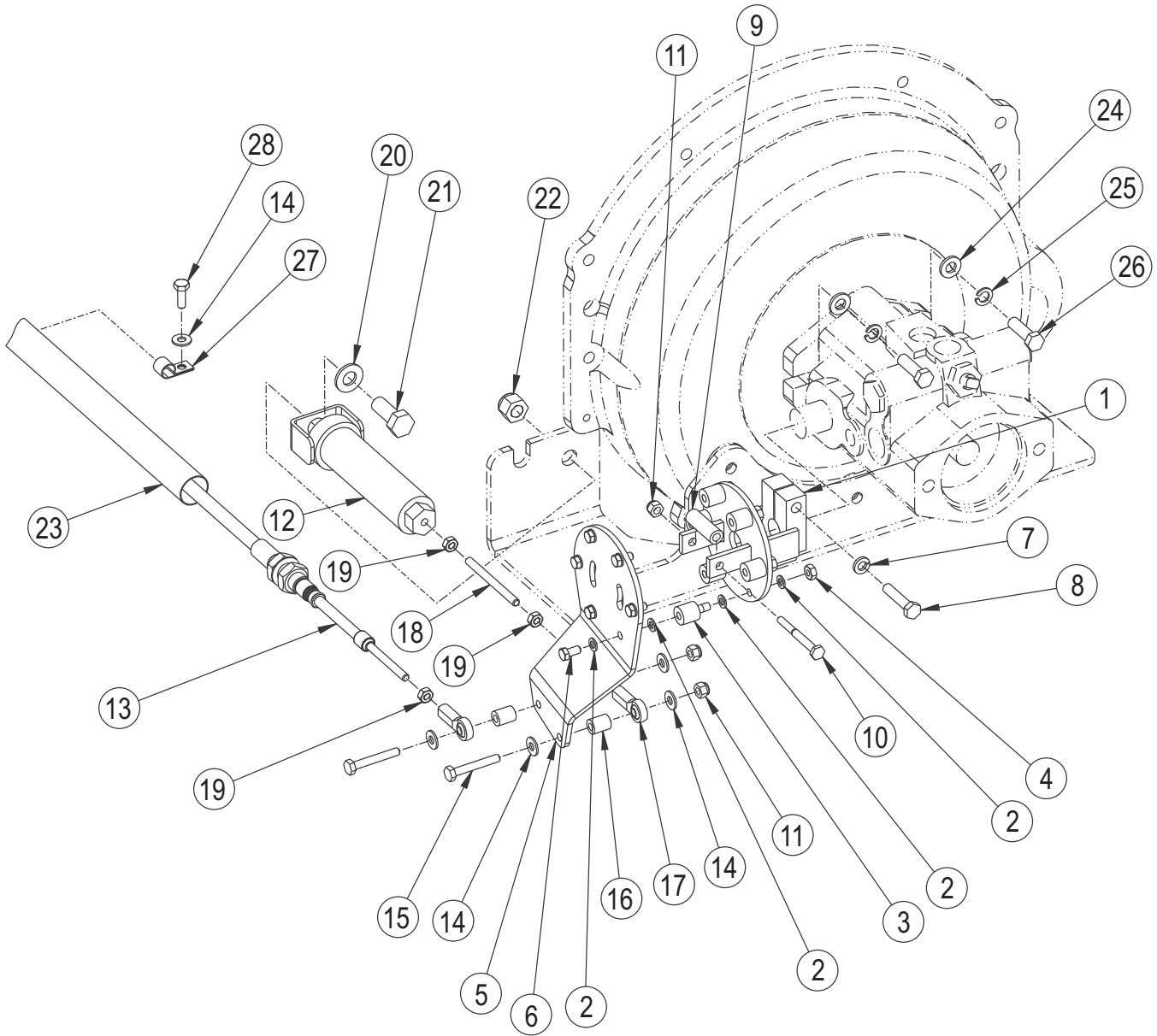
Item	Ref. No.	Qty	Description
1	56001995	4	Scr-Hex 1/2-13 X 1.75
2	56002770	4	Nut-Hex Nyl Loc 1/2-13
3	56009116	6	Nut- Lug 1/2-20 <b>NOTE 1</b>
4	56109705	1	Adapter-Hydraulic Motor
5	56109737	1	Wheel Motor Kit <b>NOTE 2</b>
	8-70-00026		(Key: - one comes w/motor) <b>NOTE 2</b>
	0880-586		(Motor Seal Kit: - Service Part) <b>NOTE 2</b>
	0880-238		(Shaft Seal Kit: - Service Part) <b>NOTE 2</b>
5	56109707	1	Wheel Motor <b>NOTE 3</b>
	8-70-00026		(Key - one comes w/motor) <b>NOTE 3</b>
	56463039		(Nut-Hex Slotted - one comes w/motor) <b>NOTE 3</b>
	56109718		Seal Kit (for 56109707) <b>NOTE 3</b>
6	56383262	1	Washer Trust
7	56900602	1	Reducer-O-Ring
8	2-00-00220	1	Screw - 1/4-20 X .625 Hhc
9	2-00-00240	4	Screw, 1/2-13 X 1.250 HHC
10	2-00-00518	2	Washer,Lock,1/4" Helical Spring
11	2-00-00566	1	Fitting, Lubrication, Straight, 1/8 Npt
12	56009089	1	1/2-20 Hex Jam Nut
13	2-00-01260	2	DOWEL PIN, .250 X .625
14	2-00-02312	4	Washer, 1/2" Lock
15	2-00-02568	1	Fitting, Lubrication, 45, 1/8 Npt
16	56003826	1	Screw, SHCS 1/4-20 X .75
17	2-00-03761	1	Key- 1/4 Sq. X 1.75 Steel
18	2-00-04455	1	Bearing, Thrust (Timken #T581)
19	2-00-04456	1	Bearing, Cup (Timken #15245)
20	2-00-04748	2	Ring-"O"
21	2-00-04803	2	Cotter Pin (1/8 Dia. X 2 Lg.)
22	2-00-04841	1	Nut, Hex Slotted 3/4-16 X 1.125 X .641
23	2-00-04892	1	Fitting-90\$ Elbow (O-Ring)
24	2-00-05358	2	Fitting, -10 SAE X -10 ORS, Swivel
25	2-00-05545	1	Fitting, -4 Ors Swivel 90\$ Elbow
26	7-29-05037	1	Spur Gear Rear Wheel
27	7-30-08012	1	Guide, Rack
28	7-33-09063	1	Hub - Drive Wheel <b>NOTE 1</b>
29	7-58-05229	1	Plate - Bearing Mounting
30	7-62-00006	1	Rack
31	7-80-05056-1	6	Stud <b>NOTE 1</b>
32	7-81-00125	1	Support, Rear Wheel
33	7-89-08069	1	Tire & Outer Rim <b>NOTE 1</b>
[ ]	0780-711	1	Tire, Rear Wheel Non Marking
[ ]	56380882	1	Directional Rear Wheel Kit
[ ]	7-85-06008	1	Tire, Rear Wheel (Hvy Duty Option)
[ ]	56504483	1	Tire, Rear Wheel (Directional) <b>TSBUS2008-1006</b>
34	2-00-04841	1	Nut, 3/4-16 x 1.125 x .641 Slotted Hex <b>NOTE 2</b>
34	56463039	1	Nut, Hex, Slotted <b>NOTE 3</b>

[ ] = Not Shown

**NOTE 1:** All of these parts can be ordered together in Tire & Hub Service kit 0780-657. Hub Assembly w/pressed-in studs (Item No.'s 28 & 31): 0780-656

**NOTE 2:** Used on machines up to Serial No. 1000032514.

**NOTE 3:** Used on machines Serial No. 1000032514 and above.



5/2009

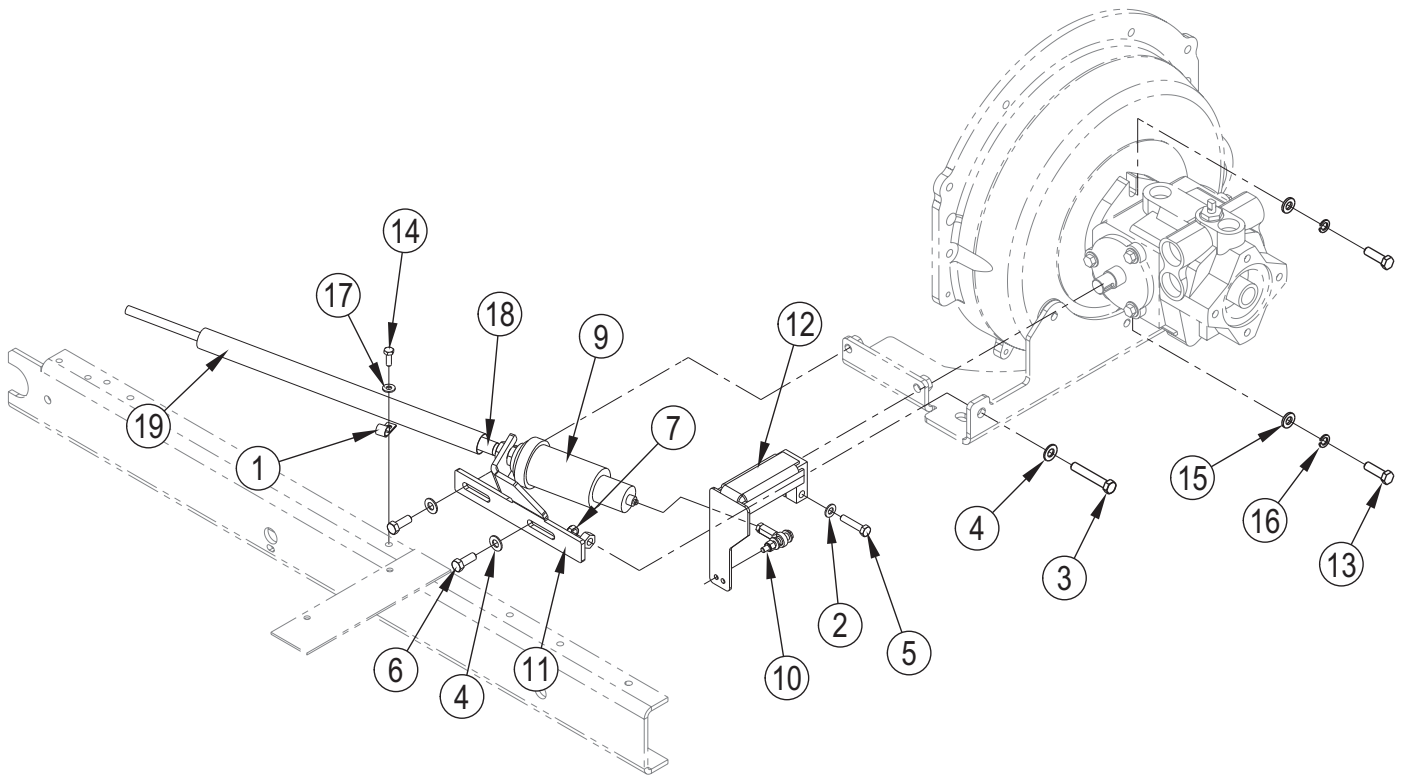
FORWARD-REVERSE CONTROL - GM 3.0 (BEFORE SN1000034942)

6/2017

7765

55

Item	Ref. No.	Qty	Description
1	7-03-04105	1	Transmission Arm
2	2-00-00501	24	Lock Washer, 1/4 Int.
3	7-75-01089	6	Isolator
4	2-00-00594	6	Nut, 1/4-20 Hex
5	7-58-05361	1	Plate, Hydrostat Arm
6	2-00-00219	6	Screw, 1/4-20 x 1/2 HHC
7	2-00-00530	1	Lock Washer, 5/16 Med Helical Spring
8	2-00-00225	1	Screw, 5/16-18 x 1.5 HHC
9	7-75-01110	1	Spacer, Transmission Arm
10	2-00-00246	1	Screw, 1/4-20 x 2.25 HHC
11	56002708	3	Nut, 1/4-20 Fiber Insert
12	8-16-00025	1	Centering Control
13	7-16-00009	1	Cable, Forward/Reverse Cable
14	2-00-03702	5	Washer, .625 x .281 x .063
15	2-00-01769	2	Screw, 1/4-20 x 1.75
16	7-75-01274	2	Spacer, 1/4 OD x 1/2 ID x 5/8
17	7-25-02111	2	Rod End, 1/4 Female
18	7-66-00147	1	Rod, 1/4-28 x 3.0 Centering Control Adjustment
19	2-95-01999	3	Nut, 1/4-28 x .437 x .156 Hex Jam
20	2-00-00405	1	Flat Washer, .750 x .281 x .062
21	2-00-00240	1	Screw, 1/2-13 x 1.25 HHC
22	2-00-04936	1	Nut, 1/2-13 Elastic Lock
23	7-34-09034	1	Reflective Sleeve, 1" dia. x 16"
24	2-00-00402	2	Flat Washer, .750 x .390 x .093
25	2-00-02310	2	Lock Washer, 3/8 Helical Spring
26	56001858	2	Bolt, 3/8-16 x 1.25 Hex Head
27	56486112	1	Clamp
28	2-00-00221	1	Screw, 1/4-20 x .750 HHC



5/2009

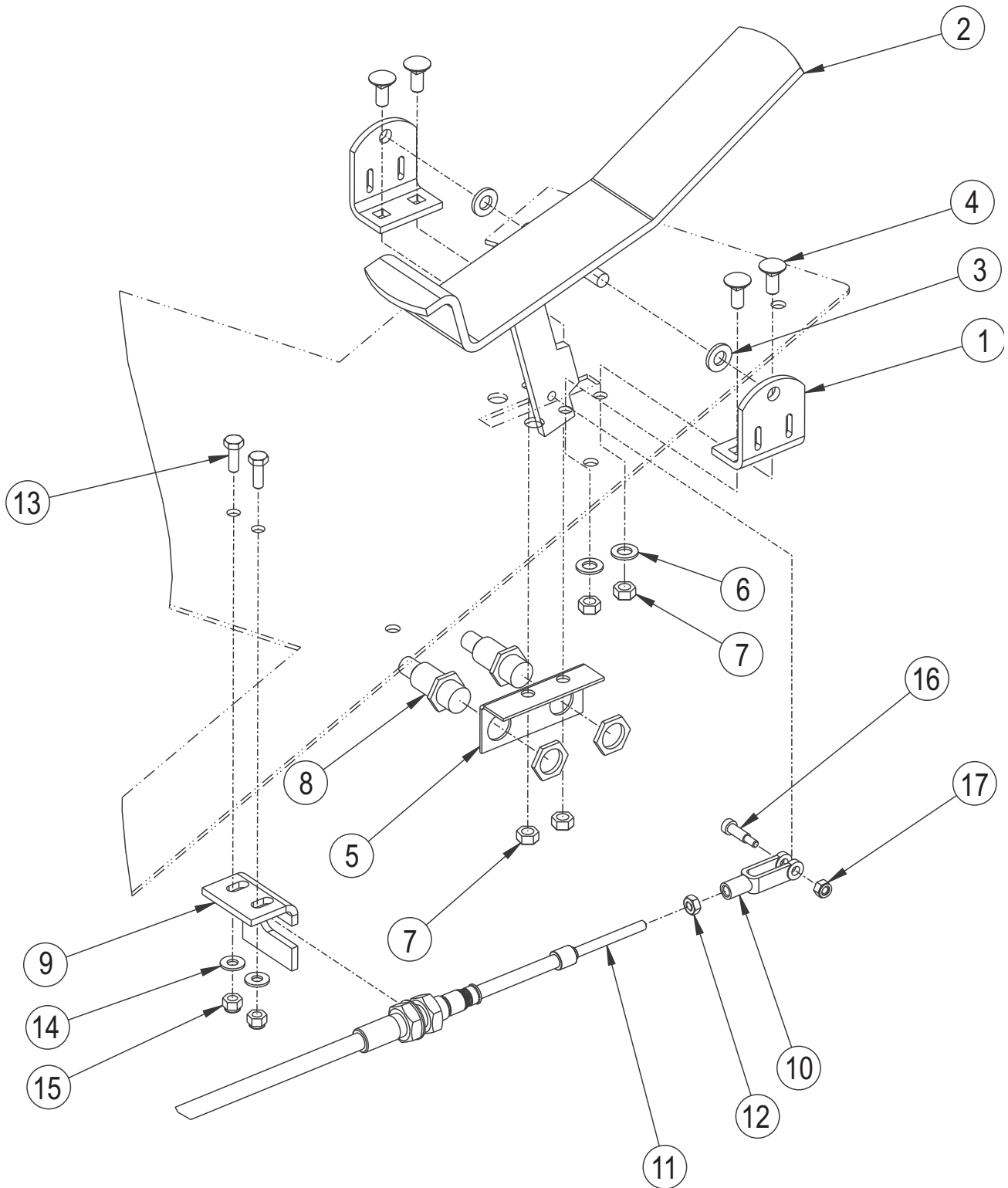
FORWARD-REVERSE CONTROL - GM 3.0 [AFTER SN1000034942]

6/2017

7765

57

<u>Item</u>	<u>Ref. No.</u>	<u>Qty</u>	<u>Description</u>
1	56486112	1	Clamp
2	56001939	1	Wsh, Fit SAE 5/16
3	56002470	1	Scr Hex Thd/Hd 3/8-16 X 2.00
4	56002063	3	Wsh, Fit SAE 3/8
5	56002094	1	Scr. Hex 5/16-18 X 1.50
6	56002663	2	Scr. Hex 3/8-16 X 1.00
7	56002841	1	Nut, Hex Nyl Loc-Thin 3/8-16
9	56455799	1	Hydroback
10	56383880	1	Rod End Throttle Kit <b>TSB-FC-2014-007</b>
11	56379077	1	Adjuster Pintle G/LPG Arm Weld
12	56514946	1	Pintle Arm Weldment
13	56001858	2	Bolt, Hex Head, 3/8-16 X 1 1/4SS
14	2-00-00221	1	Bolt-Hex Head, Finished, 1/4-20x3/4 LG
15	2-00-00402	2	Washer, 25/64" ID X 3/4" OD
16	2-00-02310	2	Washer-Lock, 3/8", Helical Spring
17	2-00-03702	1	Washer, .625 X .281 X .063
18	7-16-00009	1	Cable, Fwd / Rev
19	7-34-09034	1	Reflective Sleeve, 1" Dia. X 16"



5/2009	<b>FORWARD-REVERSE CONTROL - GM 3.0 - FOOT PEDAL ASSY</b>		
6/2017	<b>7765</b>		<b>59</b>

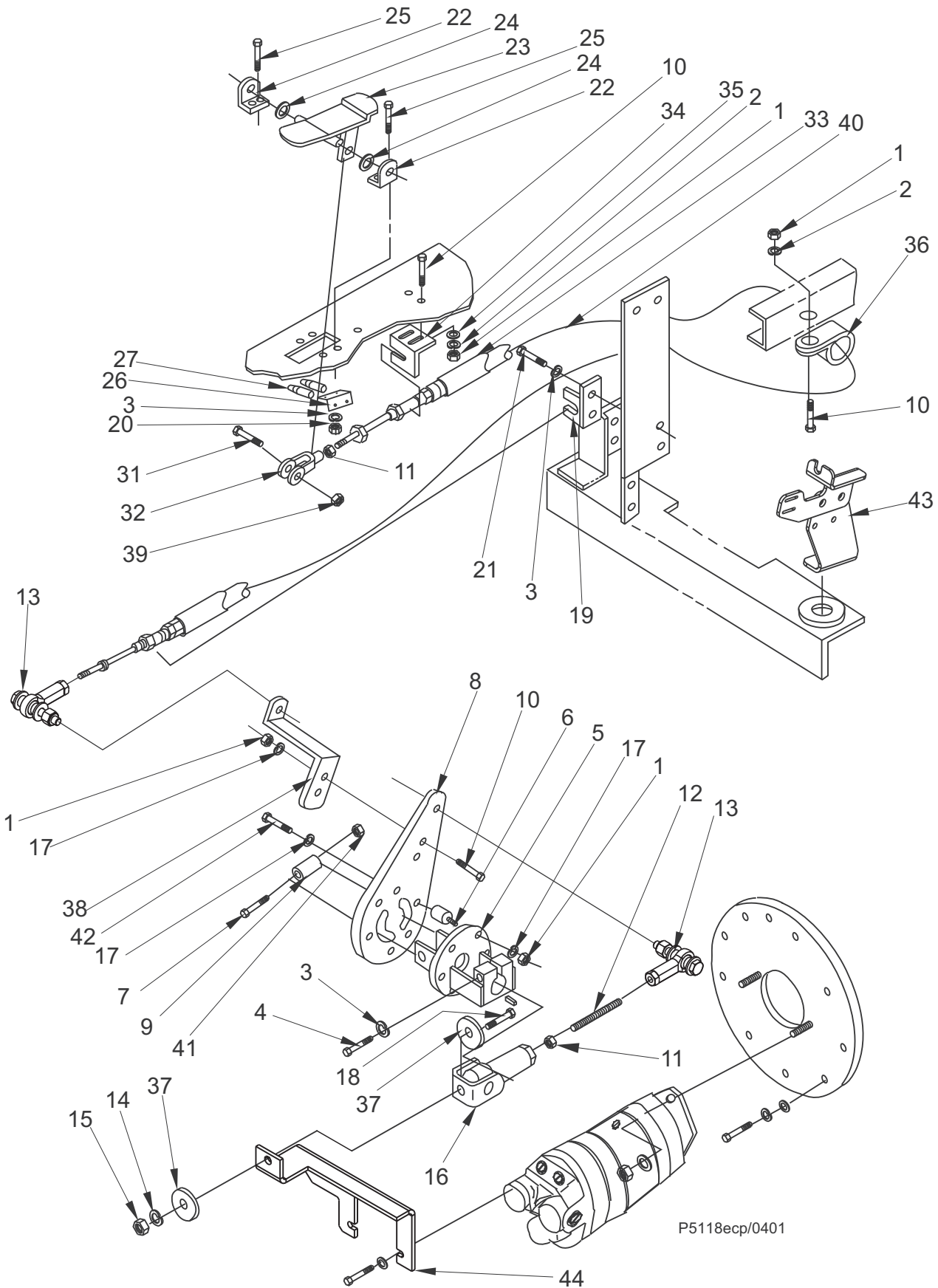
<b>Item</b>	<b>Ref. No.</b>	<b>Qty</b>	<b>Description</b>
1	56514806	2	Bracket, Foot Pedal Mount
2	56514807	1	Foot Pedal
3	2-00-00402	2	Flat Washer, .750 x .390 x .093
4	2-00-03569	4	Carriage Bolt, 5/16-18 x 3/4
5	56514808	1	Bracket, Foot Pedal Prox. Switch
6	2-00-00409	2	Flat Washer, .687 x .344 x .062
7	2-00-00585	4	Nut, 5/16-18 Fiber Insert Hex
8	56385042	2	Proximity Sensor Kit <b>NOTE 3 TSB-FC-2017-042</b>
8	56385041	2	Sensor-Proximity-Inductive <b>NOTE 4</b>
9	56514809	1	Bracket, Accel. Cable Mounting <b>NOTE 1</b>
9	56514940	1	Bracket, Accel. Cable Mounting <b>NOTE 2</b>
10	8-14-01006	1	Clevis
11	7-16-00009	1	Cable, Forward/Reverse Cable
12	2-95-01999	1	Nut, 1/4-28 x .437 x .156 Hex Jam
13	2-00-00221	2	Screw, 1/4-20 x 3/4 HHC
14	2-00-03702	2	Washer, .625 x .281 x .063
15	56002708	2	Nut, 1/4-20 Fiber Insert
16	2-00-04563	1	Shoulder Screw, 1/4 x 5/8
17	2-00-01246	1	Nut, #10-24 Elastic Stop

**NOTE 1:** Used on machines up to Serial No. 1000034942.

**NOTE 2:** Used on machines Serial No. 1000034942 and above.

**NOTE 3:** Machines built before Serial No. 1000063922 need to order Proximity Sensor Kit 56385042 when replacing the original Reverse Proximity Switch. When replacing the Forward Proximity Switch order 56385041.

**NOTE 4:** Machines built after Serial No. 1000063921 can order Proximity Sensor 56385041 for either the forward or reverse Proximity Switch.



P5118ecp/0401

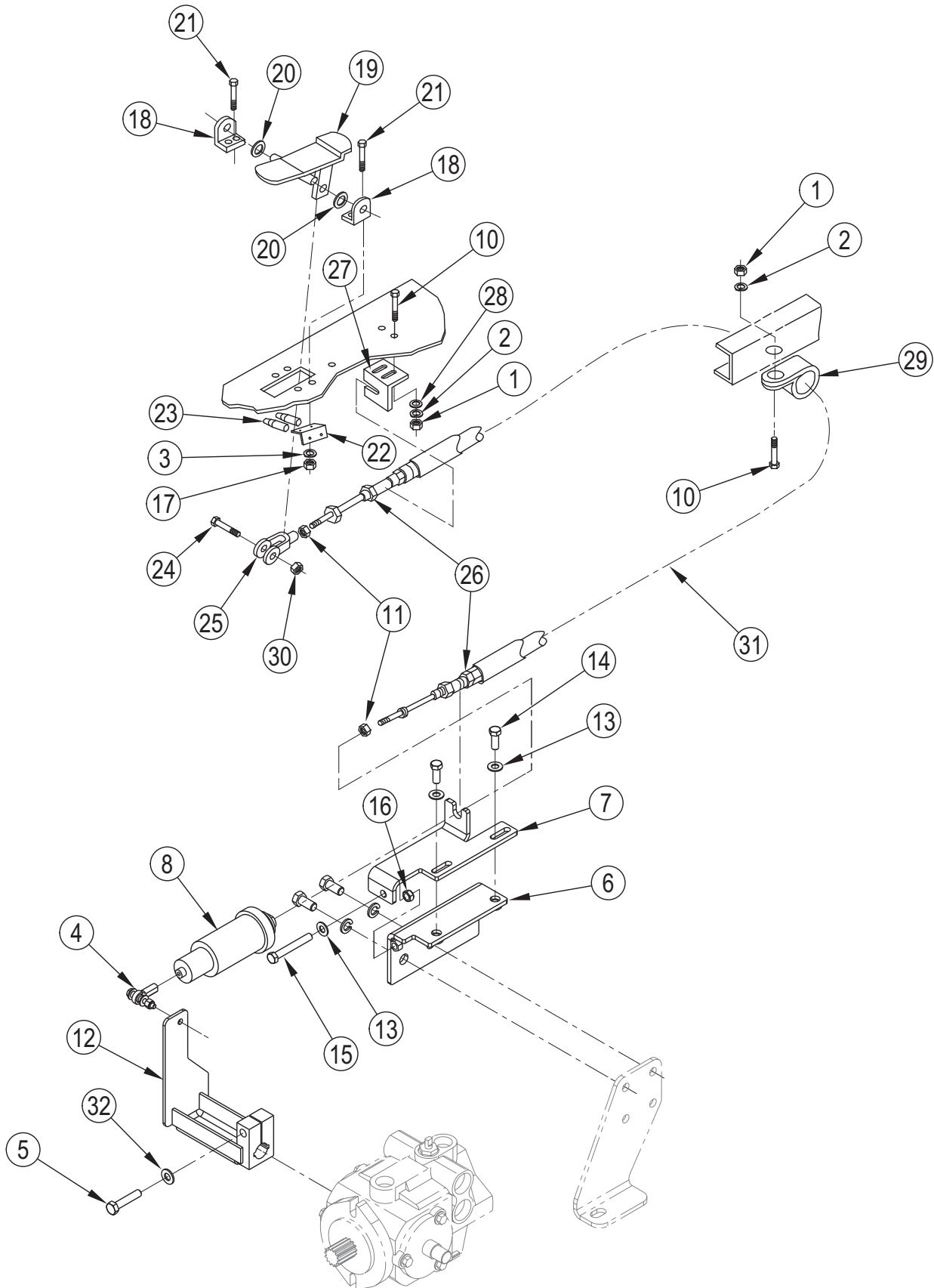


5/2009	<b>FORWARD-REVERSE CONTROL - MITSUBISHI DIESEL [BEFORE SN1000034942]</b>		
6/2017	<b>7765</b>		<b>61</b>

Item	Ref. No.	Qty	Description
1	2-00-00594	11	Nut, Hex 1/4 - 20 x .437 x .218
2	2-00-00518	3	Lock Washer, Helical Spring 1/4 Med
3	2-00-00530	5	Lock Washer, Helical Spring 5/16 Med
4	2-00-00225	1	Screw, 5/16-18 x 1.500 HHC
5	7-03-04105	1	Transmission Arm
6	7-75-01089	6	Isolator, 1/4-20
7	2-00-00246	1	Screw, 1/4-20 x 2.250 HHC
8	7-58-05220	1	Transmission Arm Plate
9	7-75-01110	1	Spacer, Transmission Arm
10	2-00-00221	5	Screw, 1/4-20 x .750 HHC
11	2-95-01999	4	Nut, Hex Jam 1/4-28 x .437 x .156
12	7-66-00147	1	Rod, 1/4-28 x 3.000
13	56383880	2	Rod End Throttle Kit <b>TSB-FC-2014-007</b>
14	2-00-02312	1	Lock Washer, Helical Spring 1/2 Med
15	2-00-02352	1	Nut, Hex 1/2-13 x .875 x .484
16	8-16-00025	1	Centering Control
17	2-00-00501	14	Lock Washer, 1/4 Int.
18	2-00-00240	1	Screw, 1/2-13 x 1.250 HHC
19		1	Centering Control Bracket
20	2-00-00585	4	Nut, Hex 5/16-18 x .500 x.265
21	2-00-00208	2	Screw, 5/16-18 x .750 HHC
22	56514806	2	Forward Reverse Pedal Bracket
23	56514807	1	Forward Reverse Pedal
24	2-00-00402	2	Flat Washer, .750 x .390 x .093
25	2-00-03569	4	Carriage Bolt, 5/16 - 18 x .75
26	56514808	1	Bracket, Foot Pedal Prox. Switch
27	56385042	2	Proximity Sensor Kit <b>NOTE 1 TSB-FC2017-042</b>
27	56385041	2	Sensor-Proximity-Inductive <b>NOTE 2</b>
31	2-00-04563	1	Screw, #10-24 x .625 x .375 SH
32	8-14-01006	1	Clevis
33	7-16-00009	1	Forward / Reverse Cable
34	56514809	1	Cable Mounting Bracket
35	2-00-03702	2	Flat Washer, .750 x .281 x .062
36	56486112	1	Hose Clamp, .500
37	2-00-00405	2	Flat Washer, .500
38	7-03-04106	1	Transmission Arm
39	2-00-01246	1	Nut, Hex Fiber Insert #10-24
40	7-34-09018	1	Insulating Sleeve
41	56002708	1	Nut, Hex Fiber Insert 1/4-20
42	2-00-00219	6	Screw, 1/4-20 x .500 HHC
43	7-08-01209	1	Bracket, Forward/Reverse Cable
44	7-08-00585	1	Hydroback Bracket

**NOTE 1:** Machines built before Serial No. 1000063922 need to order Proximity Sensor Kit 56385042 when replacing the original Reverse Proximity Switch. When replacing the Forward Proximity Switch order 56385041.

**NOTE 2:** Machines built after Serial No. 1000063921 can order Proximity Sensor 56385041 for either the forward or reverse Proximity Switch.

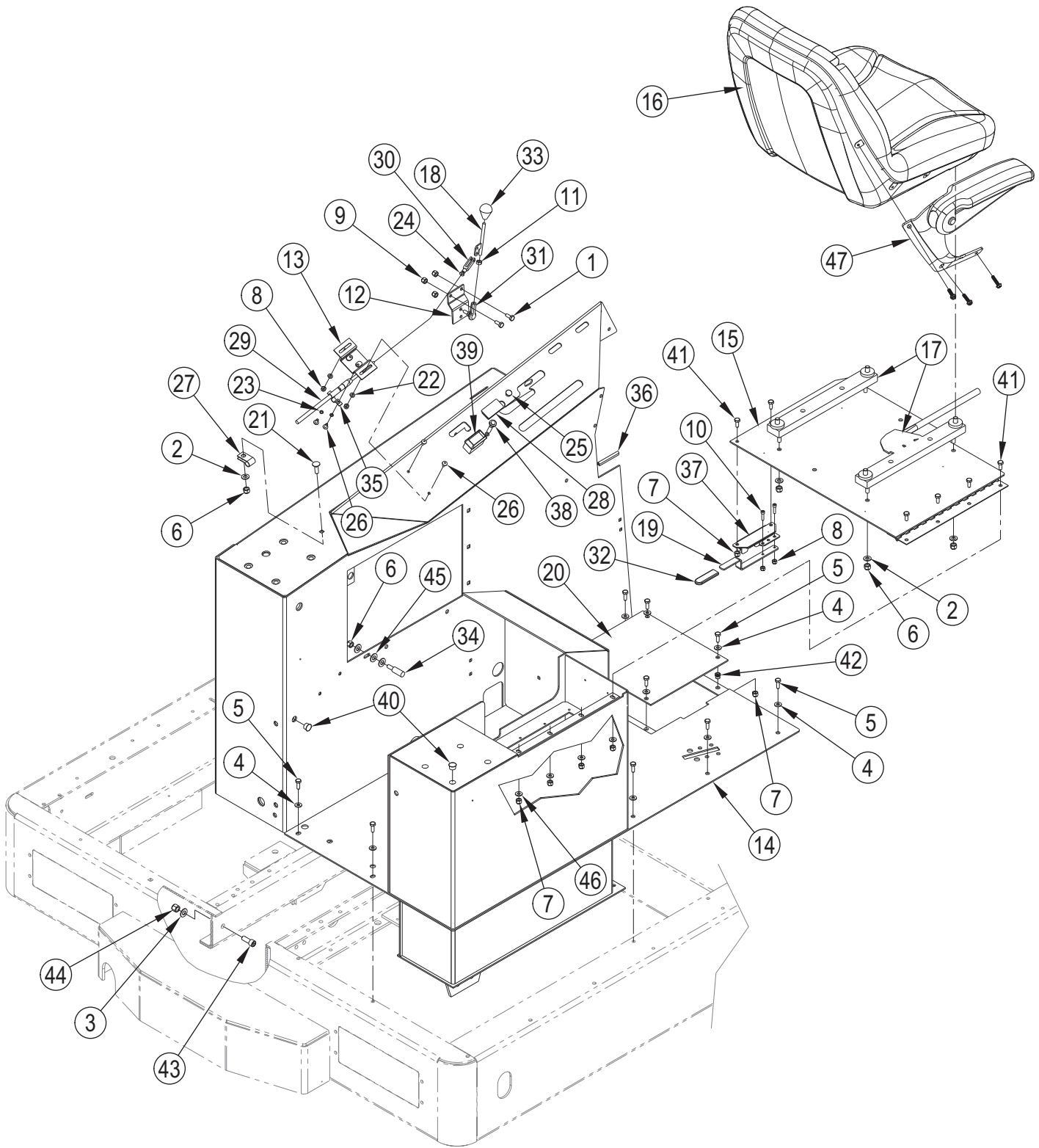


5/2009	<b>FORWARD-REVERSE CONTROL - MITSUBISHI DIESEL (AFTER SN1000034942)</b>		
6/2017	<b>7765</b>		<b>63</b>

Item	Ref. No.	Qty	Description
1	2-00-00594	3	Nut, Hex 1/4 - 20 x .437 x .218
2	2-00-00518	3	Lock Washer, Helical Spring 1/4 Med
3	2-00-00530	2	Lock Washer, Helical Spring 5/16 Med
4	56383880	1	Rod End Throttle Kit <b>TSB-FC-2014-007</b>
5	56002094	1	Screw, Hex 5/16 - 18x1.50
6	56514942	1	Plate, Pintle Arm
7	56514941	1	Adjuster, Pintle Arm
8	56455799	1	Hydroback
10	2-00-00221	5	Screw, 1/4-20 x .750 HHC
11	2-95-01999	4	Nut, Hex Jam 1/4-28 x .437 x .156
12	56514946	1	Pintle Arm Weldt
13	56002063	3	Wsh, Flt SAE 3/8
14	56002663	2	Screw, Hex 3/8 - 16 x 1.00
15	56001892	1	Screw, Hex 3/8 - 16 x 2.75
16	56002841	1	Nut, Hex Nyl Loc Thin 1/4 - 16
17	2-00-00585	4	Nut, Hex 5/16-18 x .500 x.265
18	56514806	2	Forward Reverse Pedal Bracket
19	56514807	1	Forward Reverse Pedal
20	2-00-00402	2	Flat Washer, .750 x .390 x .093
21	2-00-03569	4	Carriage Bolt, 5/16 - 18 x .75
22	56514808	1	Bracket, Foot Pedal Prox. Switch
23	56385042	2	Proximity Sensor Kit <b>NOTE 1 TSB-FC2017-042</b>
23	56385041	2	Sensor-Proximity-Inductive <b>NOTE 2</b>
24	2-00-04563	1	Screw, #10-24 x .625 x .375 SH
25	8-14-01006	1	Clevis
26	7-16-00009	1	Forward / Reverse Cable
27	56514940	1	Bracket, Accel Cable Mount
28	2-00-03702	2	Flat Washer, .750 x .281 x .062
29	56486112	1	Hose Clamp, .500
30	2-00-01246	1	Nut, Hex Fiber Insert #10-24
31	7-34-09018	1	Insulating Sleeve
32	56001939	1	Washer, Flt SAE 5/16

**NOTE 1:** Machines built before Serial No. 1000063922 need to order Proximity Sensor Kit 56385042 when replacing the original Reverse Proximity Switch. When replacing the Forward Proximity Switch order 56385041.

**NOTE 2:** Machines built after Serial No. 1000063921 can order Proximity Sensor 56385041 for either the forward or reverse Proximity Switch.



5/2009	<b>OPERATOR COMPARTMENT</b>			
6/2017	<b>7765</b>			<b>65</b>

Kit	Item	Ref. No.	Qty	Description
	1	56001836	2	Scr. Hex 1/4-20 X .62 <b>NOTE 1</b>
	2	56001939	5	Wsh. Flt SAE 5/16
	3	56002063	1	Wsh. Flt SAE 3/8
	4	56002098	14	Wsh. Flt SAE 1/4
	5	56002948	10	Scr Hex Hp Loc-1/4-20 X 0.75
	6	56002701	6	Nut, Hex Nyl Loc 5/16-18
	7	56002708	10	Nut, Hex Nyl Loc 1/4-20
	8	56002768	4	Nut, Hex Nyl Loc 10-24
	9	56003284	3	Nut, Hex Nyl Loc 1/4-28
	10	56002124	2	Screw10-24 X .62 Pnh Ph
	11	56009142	1	Nut, Hex Machine 1/4-28
	12	56514798	1	Bracket Throttle Control Mtg <b>NOTE 1</b>
	13	56514799	1	Bracket Throttle Cable Mtg <b>NOTE 1</b>
	14	56514836	1	Drive Compartment
	15	56514838	1	Cover Weldment
	16	56383292	1	Seat-11.25 IN. Mount <b>NOTE 3</b>
	17	7-72-05005	1	Slide-Seat
	18	8-41-05074	1	Lever-Throttle Control Weldt <b>NOTE 1</b>
	19	56514797	1	Handle Seat Cover Latch
	20	56514800	1	Panel-Access
	21	2-00-00196	1	Bolt-Car. .31-18 X 1 Gr 5 Zn <b>NOTE 1</b>
	22	2-00-00426	2	Washer-Flat .500 X .219 X .063
	23	2-00-00519	2	Washer-Lock, #10-24, Helical Spring
	24	2-00-00626	1	10-32 Nut
	25	2-00-02011	1	Plug, Plastic, .44 Dia <b>NOTE 1</b>
	26	2-00-03061	4	Screw, #10-24 X 1.00 Truss Head
	27	2-00-04873	1	Cable Clamp <b>NOTE 1</b>
	28	2-00-05868	1	Switch Plug, Sealed Panel <b>NOTE 1</b>
	29	7-10-00024	1	Cable-Throttle-80" LG. <b>NOTE 1</b>
	30	7-14-07006	1	Clevis <b>NOTE 1</b>
	31	7-25-02050	1	Rod End-Spherco <b>NOTE 1</b>
	32	7-31-06061	1	Grip, Cover Latch
	33	7-39-00017	1	Knob-Solution Control <b>NOTE 1</b>
	34	7-55-08116	1	Pin-Striker
	35	8-13-07094	1	Conduit Clamp <b>NOTE 1</b>
	36	7-21-04045	1	Edging Brake Link
	37	8-41-00037	1	Latch, Rotary
	38	7-11-04080	1	Indicator-Mil Light <b>NOTE 2</b>
	39	2-00-05827	1	Switch Body-High Current <b>NOTE 2</b>
	[ ]	2-00-05988	1	Actuator Throttle Efi425 <b>NOTE 2</b>
	40	2-00-04514	1	9/16 In Hole Plug Black
	41	2-00-00220	6	Scw-Hhc .25-20 X .63 Gr 8 Zn
	42	56507115	4	Nut Insert 1/4-20
	43	56002752	1	Scr Soc Hd 3/8-16 X 1.00
	44	56002769	1	Nut Hex Nyl Loc 3/8-16
	45	2-00-00402	6	Wshr-Fl..750x.391x.093 Stl Zn
	46	2-00-03702	4	Wshr-Fl..625x.281x.063 Stl.Zn
	47	56383189	1	Arm Rest Kit-R/H Only <b>NOTE 4</b>

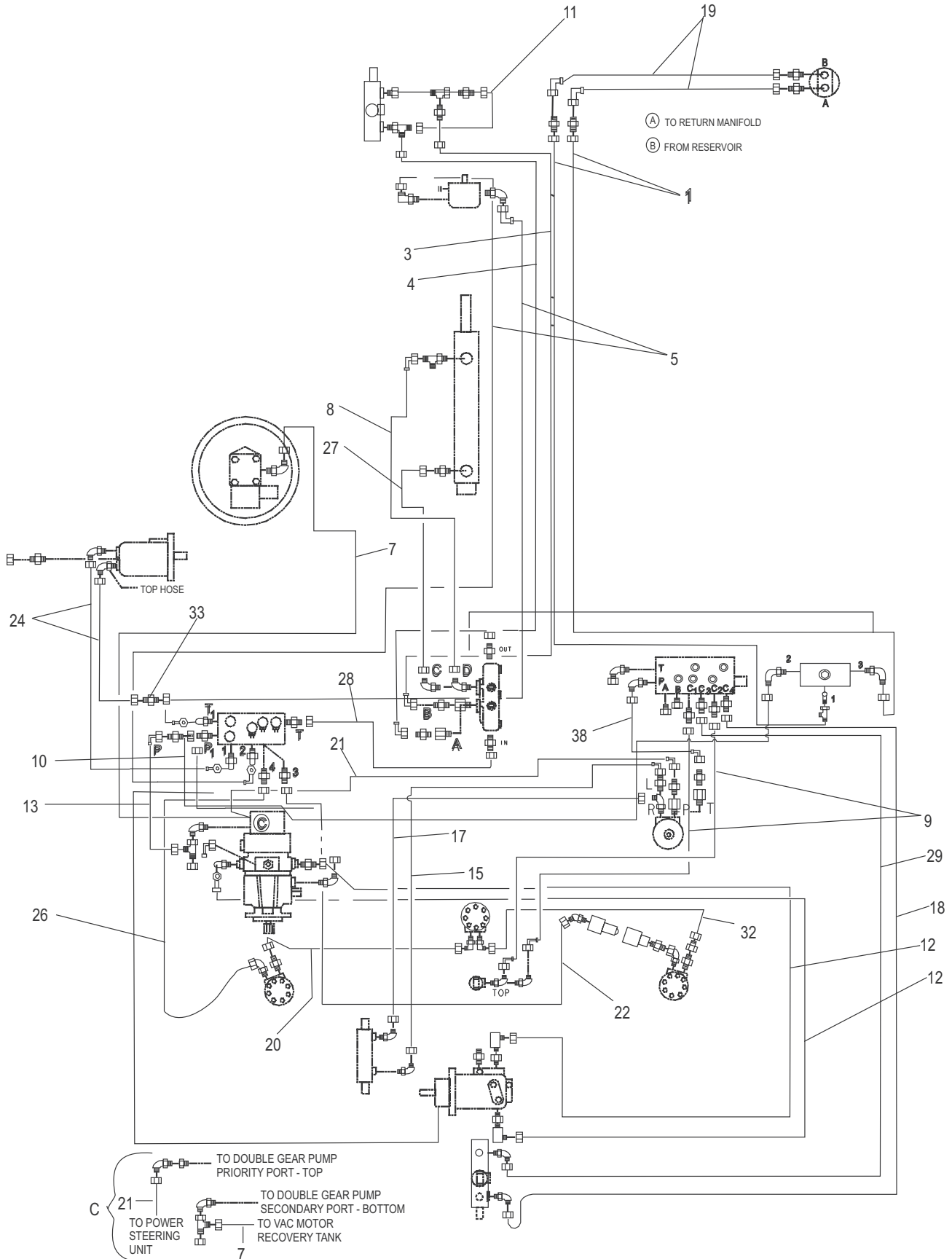
[ ] = Not Shown

**NOTE 1:** These parts are only used on Diesel models.

**NOTE 2:** These parts are only used on Gasoline/Petrol and LPG models.

**NOTE 3:** Seat 7-69-00008 has been replaced in production with Seat 56383292. If you need to replace Seat 7-69-00008 please order Seat Kit 56109296.

**NOTE 4:** Arm Rest Kit 56383189 is only for use on Seat 56383292.



5/2009

**HYDRAULIC HOSE SYSTEM - VARIABLE DUMP**

11/2018

**7765****67**

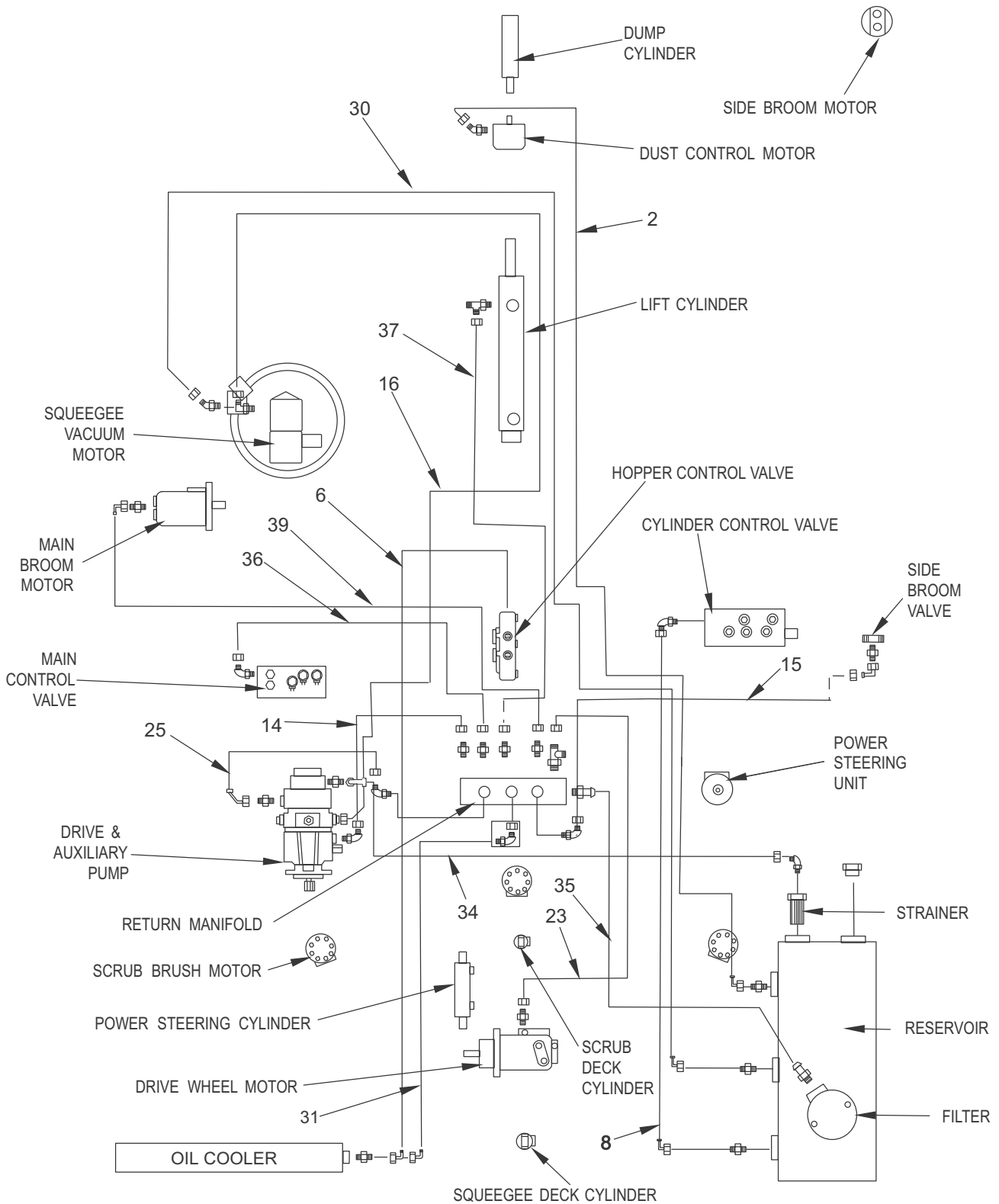
<b>Item</b>	<b>Ref. No.</b>	<b>Qty</b>	<b>Description</b>
1<	8-33-02277	2	Hydraulic Hose ORS 4-STR 110"
3<	8-33-02328	1	Hydraulic Hose ORS 4-90° to STR 78.5"
4<	7-33-02194	1	Hydraulic Hose ORS 4-90° to STR 80"
5<	7-33-02332	2	Hydraulic Hose ORS 8-90° to STR 102"
7+	8-33-02327	1	Hydraulic Hose ORS 8-STR 94"
7*	8-33-02195	1	Hydraulic Hose ORS 8-STR 69.5"
8+	7-33-02225	1	Hydraulic Hose ORS 4-90° to STR 38"
9+	7-33-02189	2	Hydraulic Hose ORS 4-90° to STR 26"
10<	8-33-02218	1	Hydraulic Hose ORS 4-STR 60"
11<	8-33-02178	1	Hydraulic Hose ORS 4-STR 15"
12+	7-33-02223	2	Hydraulic Hose ORS 8-45° to STR 87"
13+	8-33-02202	1	Hydraulic Hose ORS 8-90° to STR 20"
15+	7-33-02191	1	Hydraulic Hose ORS 4-90° to STR 42"
17+	7-33-02225	1	Hydraulic Hose ORS 4-90° to STR 38"
18+	8-33-02218	1	Hydraulic Hose ORS 4-STR 60"
19	8-33-02320	2	Hydraulic Hose ORS 4 90° to STR 64"
20	7-33-02327	1	Hydraulic Hose ORS 8-90° to STR 15.25"
21+	7-33-02334	1	Hydraulic Hose ORS 4-90° to STR 52.25"
22+	7-33-02546	1	Hydraulic Hose ORS 8-90° to STR 42.5"
24+	8-33-02214	2	Hydraulic Hose ORS 8-STR 29"
26+	7-33-02403	1	Hydraulic Hose ORS 4-90° to STR 29"
27<	8-33-02178	1	Hydraulic Hose ORS 4-STR 15"
28<	8-33-02201	1	Hydraulic Hose ORS 8-45° to STR 18"
29+	8-33-02189	1	Hydraulic Hose ORS 4-STR 65"
32	7-33-02326	1	Hydraulic Hose ORS 8-90° to STR 17"
33	2-00-04987	1	ORFS Union, 13/16-16
38+	7-33-02190	1	Hydraulic Hose ORS 4-STR 67"
[39]	2-00-05353	1	Clamp <b>NOTE 1</b>

\* = Diesel Only

+ = Components of 0760-961, 7765 common hydraulic hose kit.

&lt; = Components of 0760-962, 7765 VD hydraulic hose kit.

**NOTE 1:** Clamp added in production on machines Serial No. 1000065486 and above.





5/2009

**SUCTION & RETURN HOSES - VARIABLE DUMP**

2/2010

**7765****69**

<b>Item</b>	<b>Ref. No.</b>	<b>Qty</b>	<b>Description</b>
2*	7-33-02333	1	Hydraulic Hose ORS 4-90° to STR 119"
6*	7-33-02734	1	Hydraulic Hose ORS 8-90° to STR 68"
8*	7-33-02225	1	Hydraulic Hose ORS 4-90° to STR 38"
14#	7-33-02186	1	Hydraulic Hose ORS 4-STR 30"
15#	7-33-02191	1	Hydraulic Hose ORS 4-90° to STR 42"
16*	8-33-02192	1	Hydraulic Hose ORS 8-STR 80"
23#	8-33-02184	1	Hydraulic Hose ORS 4-STR 50.5"
25#	7-33-02197	1	Hydraulic Hose ORS 8-45° to STR 52.5"
30#	7-33-02224	1	Hydraulic Hose ORS 4-90° to STR 155"
31#	7-33-02551	1	Hydraulic Hose ORS 8-90° to STR 35"
34#	7-33-02331	1	Hydraulic Hose ORS 16-STR 46" <b>NOTE 1</b>
34#	56109710	1	Suction Hose <b>NOTE 2</b>
35	7-33-02244	1	Hydraulic Hose 1.0" ID Low Pressure 33"
36#	7-33-02180	1	Hydraulic Hose ORS 4-STR 37"
37*	8-33-02183	1	Hydraulic Hose ORS 4-STR 49"
39#	8-33-02200	1	Hydraulic Hose ORS 4-90° to STR 55"

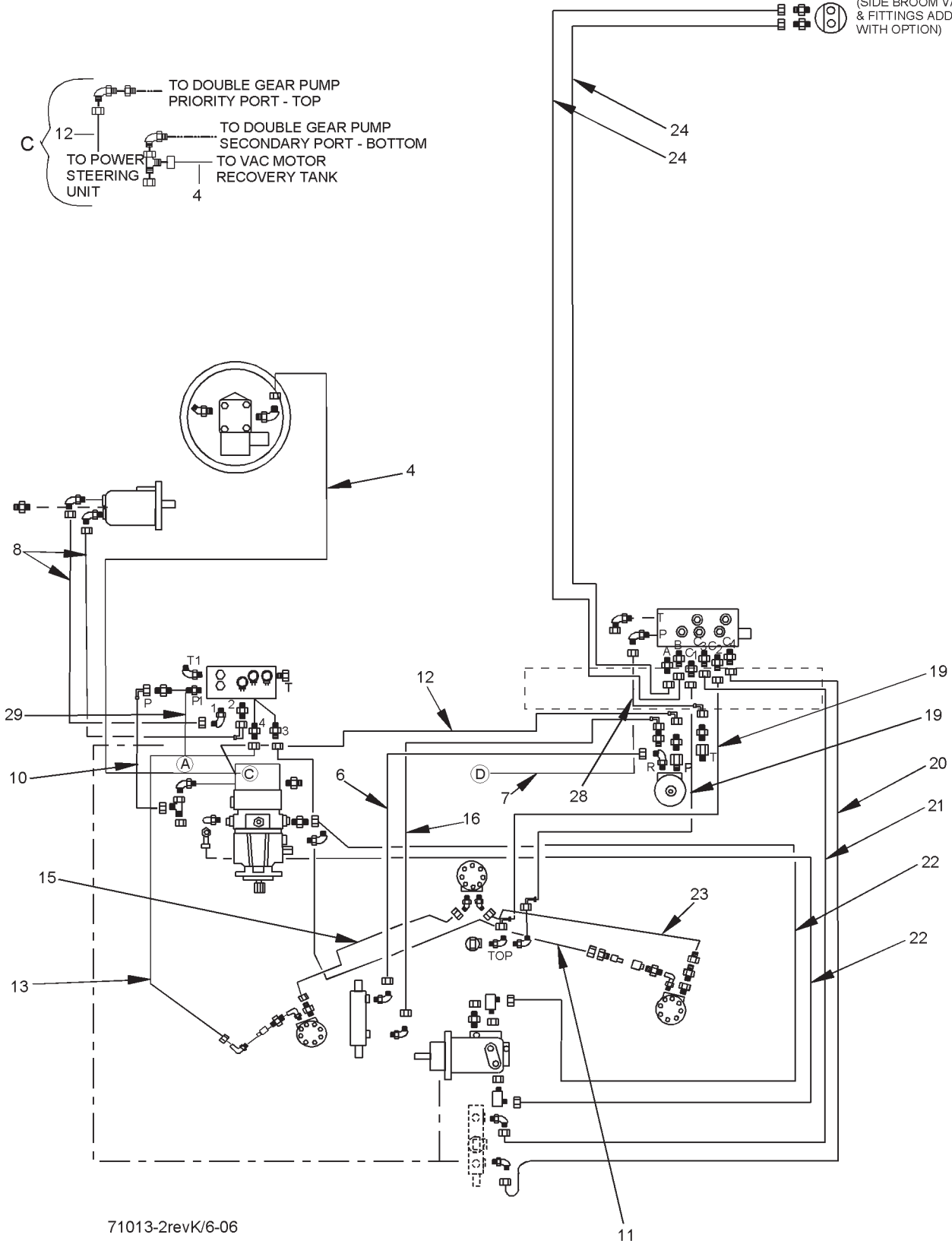
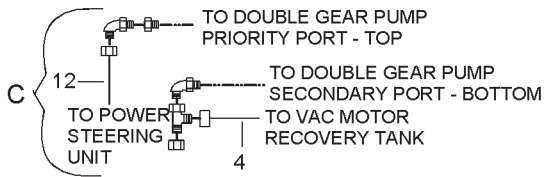
# = Components of 0760-961, 7765 common hydraulic hose kit.

\* = Components of 0760-962, 7765 VD hydraulic hose kit.

**NOTE 1:** Used on machines up to Serial No. 1000032514.

**NOTE 2:** Used on machines Serial No. 1000032514 and above.

SIDE BROOM  
OPTIONAL  
(SIDE BROOM VALVE  
& FITTINGS ADDED  
WITH OPTION)



71013-2revK/6-06

5/2009

## HYDRAULIC HOSE SYSTEM - MANUAL DUMP

2/2010

7765

71

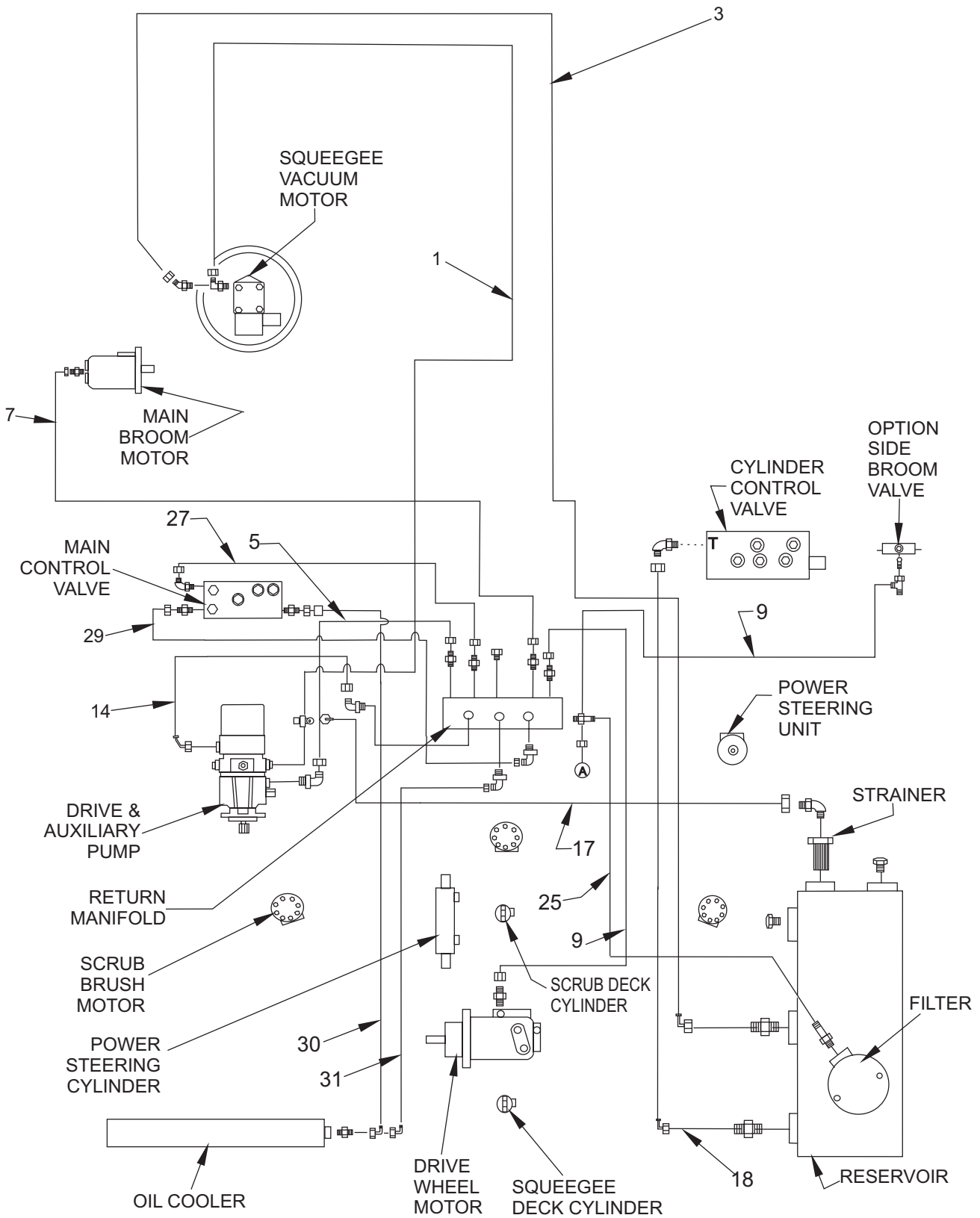
Item	Ref. No.	Qty	Description
1	8-33-02192	1	Hydraulic Hose ORS 8 Str. to JIC 8 Str. 80"
3+	7-33-02224	1	Hydraulic Hose ORS 4-90° to Str. 155"
4+	8-33-02327	1	Hydraulic Hose ORS 8-Str.to 8 Str. 94"
4*	8-33-02195	1	Hydraulic Hose ORS 8-Str.to 8 Str. 69.5"
5	7-33-02186	1	Hydraulic Hose ORS 4-Str. Ends 30"
6+	7-33-02225	1	Hydraulic Hose ORS 4-90° to Str. 38"
7+<	8-33-02200	1	Hydraulic Hose ORS 4-90° to Str. 55"
8+	8-33-02214	2	Hydraulic Hose ORS 4-Str. to 4 Str. 29"
9	8-33-02184	1	Hydraulic Hose ORS 4-Str. to 4 Str. 50.5"
10+	8-33-02202	1	Hydraulic Hose ORS 8-90° to 8 Str. 20"
11+	7-33-02546	1	Hydraulic Hose ORS 8-90° to 8 Str. 42.5"
12+	7-33-02334	1	Hydraulic Hose ORS 4-90° to 4 Str. 52.25"
13+	7-33-02403	1	Hydraulic Hose ORS 8-90° to 8 Str. 29"
14	7-33-02197	1	Hydraulic Hose ORS 8-45° to 8 Str. 52.50"
17	7-33-02331	1	Hydraulic Hose ORS 16-Str. Ends 46" <b>NOTE 1</b>
17	56109710	1	Suction Hose <b>NOTE 2</b>
18	7-33-02225	1	Hydraulic Hose ORS 4-90° to Str. 38"
15	7-33-02327	1	Hydraulic Hose ORS 8-90° to 12 Str. 15.25"
16+	7-33-02191	1	Hydraulic Hose ORS 4-90° to Str. 42"
19+	7-33-02189	2	Hydraulic Hose ORS 4-90° to Str. 26"
20+	8-33-02218	1	Hydraulic Hose ORS 4-Str. 60"
21+	8-33-02189	1	Hydraulic Hose ORS 4-Str. 65"
22+	7-33-02223	2	Hydraulic Hose ORS 8-45° to Str. 87"
23	7-33-02326	1	Hydraulic Hose ORS 8-90° to 8 Str.17"
24+<	8-33-02216	2	Hydraulic Hose ORS 4-Str. 88"
25	7-33-02244	1	1.0" Low Pressure 33" (see page 62-63)
28+	7-33-02190	1	Hydraulic Hose ORS 4-90° to Str. 67"
29	7-33-02187	1	Hydraulic Hose ORS 8-Str. 42"
30+	7-33-02428	1	Hydraulic Hose ORS 8-90° to Str. 57"
31+	7-33-02551	1	Hydraulic Hose ORS 8-90° to Str. 35"

\* = Diesel Only

+ = Hoses are components of 0760-961 7765 common hydraulic hose kit.

&lt; = Hoses for Side Broom Option

**NOTE 1:** Used on machines up to Serial No. 1000032514.**NOTE 2:** Used on machines Serial No. 1000032514 and above.



71013-3/1-06

5/2009

**SUCTION & RETURN HOSES - MANUAL DUMP**

2/2010

**7765****73**

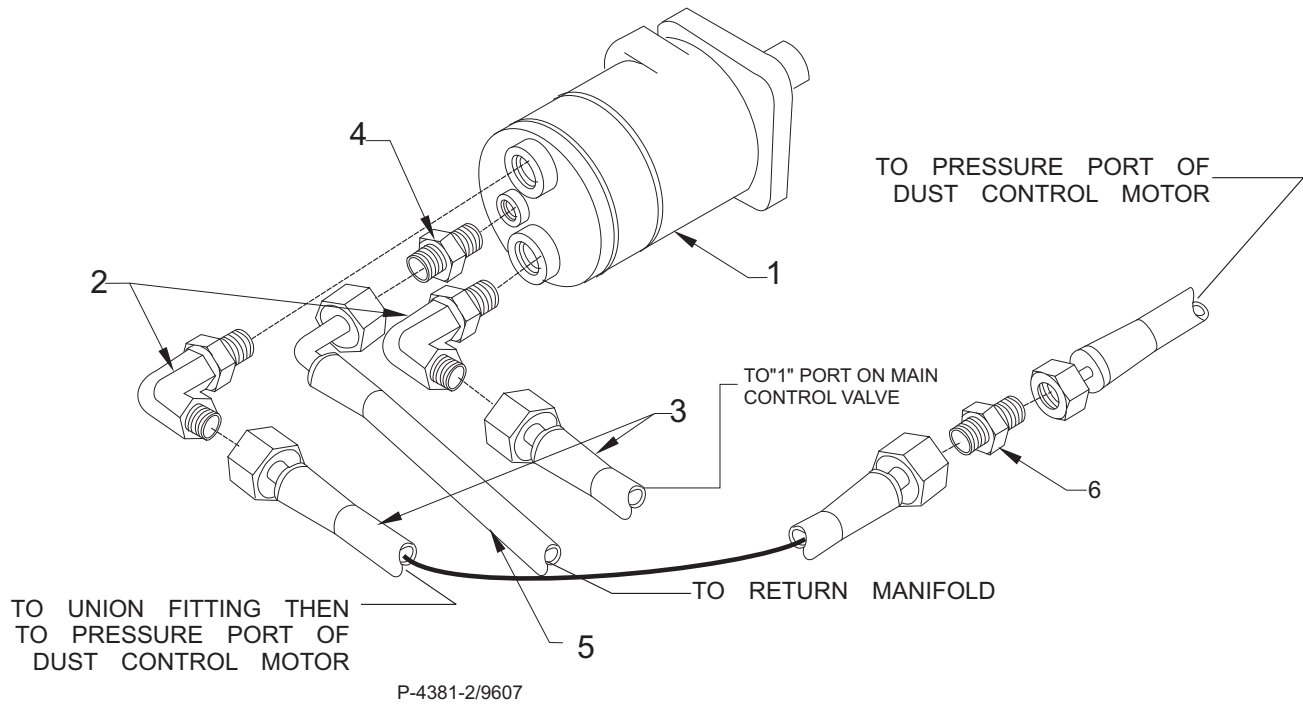
<b>Item</b>	<b>Ref. No.</b>	<b>Qty</b>	<b>Description</b>
1	8-33-02192	1	Hydraulic Hose ORS 8 Str. to JIC 8 Str. 80"
3+	7-33-02224	1	Hydraulic Hose ORS 4-90° to Str. 155"
5	7-33-02186	1	Hydraulic Hose ORS 4-Str. Ends 30"
7+<	8-33-02200	1	Hydraulic Hose ORS 4-90° to Str. 55"
9	8-33-02184	1	Hydraulic Hose ORS 4-Str. to 4 Str. 50.5"
14	7-33-02197	1	Hydraulic Hose ORS 8-45° to 8 Str. 52.50"
17	7-33-02331	1	Hydraulic Hose ORS 16-Str. Ends 46" <b>NOTE 1</b>
17	56109710	1	Suction Hose <b>NOTE 2</b>
18	7-33-02225	1	Hydraulic Hose ORS 4-90° to Str. 38"
25	7-33-02244	1	1.0" Low Pressure 33"
27	7-33-02180	1	Hydraulic Hose ORS 4-Str. to 4 Str. 37"
29	7-33-02187	1	Hydraulic Hose ORS 8-Str. 42"
30+	7-33-02428	1	Hydraulic Hose ORS 8-90° to Str. 57"
31	7-33-02551	1	Hydraulic Hose ORS 8-90° to Str. 35"

+ = Hoses are components of 0760-961 7765 common hydraulic hose kit.

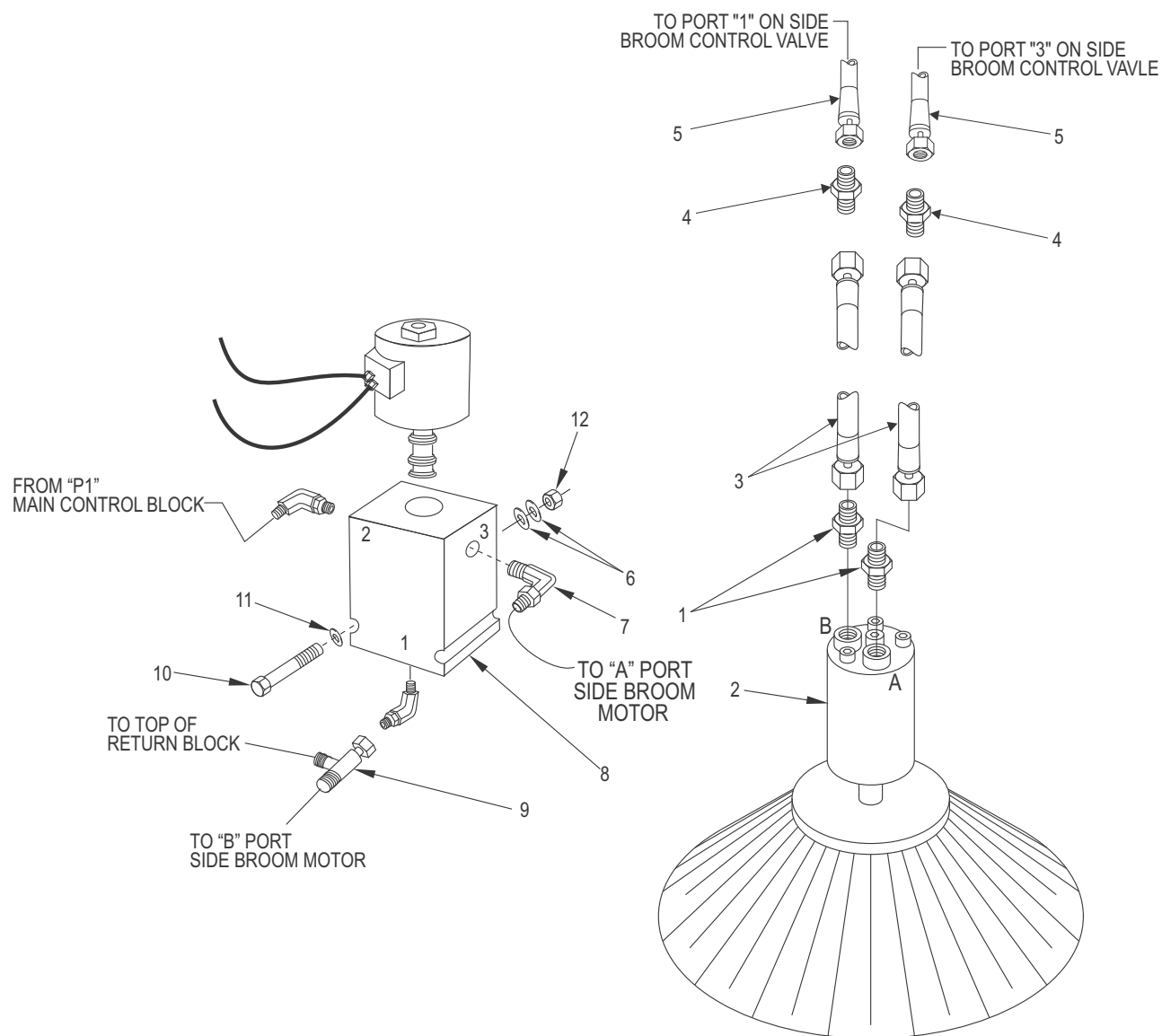
< = Hoses for Side Broom Option

**NOTE 1:** Used on machines up to Serial No. 1000032514.

**NOTE 2:** Used on machines Serial No. 1000032514 and above.

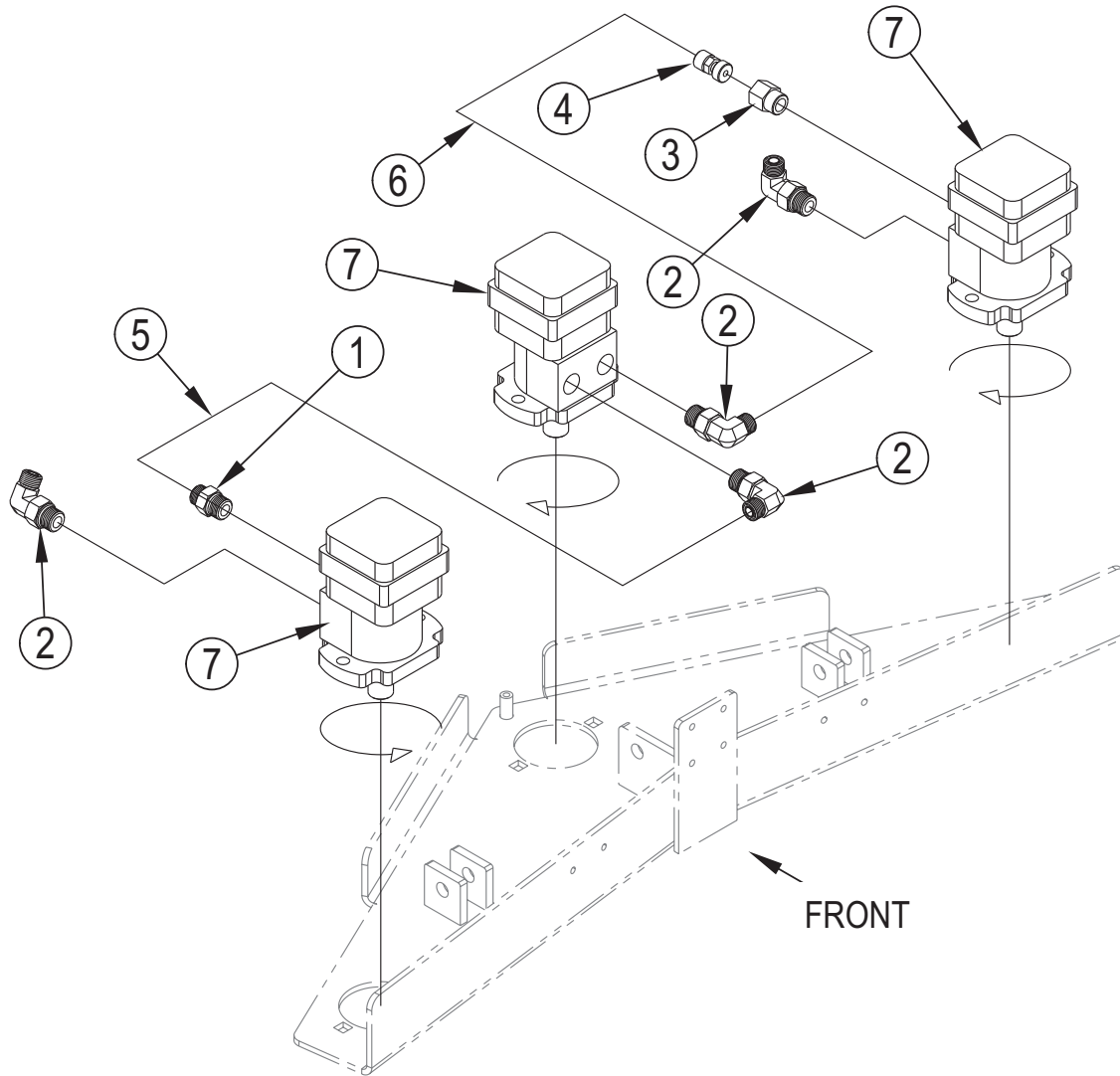


Item	Ref. No.	Qty	Description
1	0882-040	1	Main Broom Motor
	56479577		Motor Seal Kit (Service Part)
2	2-00-04885	2	ORFS 90° Elbow, 3/4-16 to 13/16-16
3	8-33-02214	Ref.	Hose
4	2-00-04895	1	ORFS Connector, 7/16-20 to 9/16-18
5	8-33-02200	Ref.	Hose
6	2-00-04987	Ref.	ORFS Union, 13/16 - 16



Item	Ref. No.	Qty	Description
1	2-00-04918	2	ORFS Connector. 9/16-18
2	0885-061	1	Hydraulic Motor
[ ]	0880-293	1	Seal Kit for 0885-061 (Up to Serial No. 750056)
[ ]	0780-144	1	Seal Kit for 0885-061 (Serial No. 750056 & Above)
[ ]	2-00-06547	1	Key
3	7-33-02181	Ref.	Hose
4	2-00-05373	2	Fitting, Union 9/16 - 18 ORS
5	8-33-02277	Ref.	Hose
6	56002098	6	Wsh Flt Sae 1/4
7	2-00-04926	3	Fitting, 90°
8	7-88-00077	1	Valve, Housing - 3 way
9	2-00-05162	1	Fitting, Run tee
10	56001874	2	Screw
11	2-00-00518	2	Lock Washer
12	56002025	2	Nut Hex 5/16-18

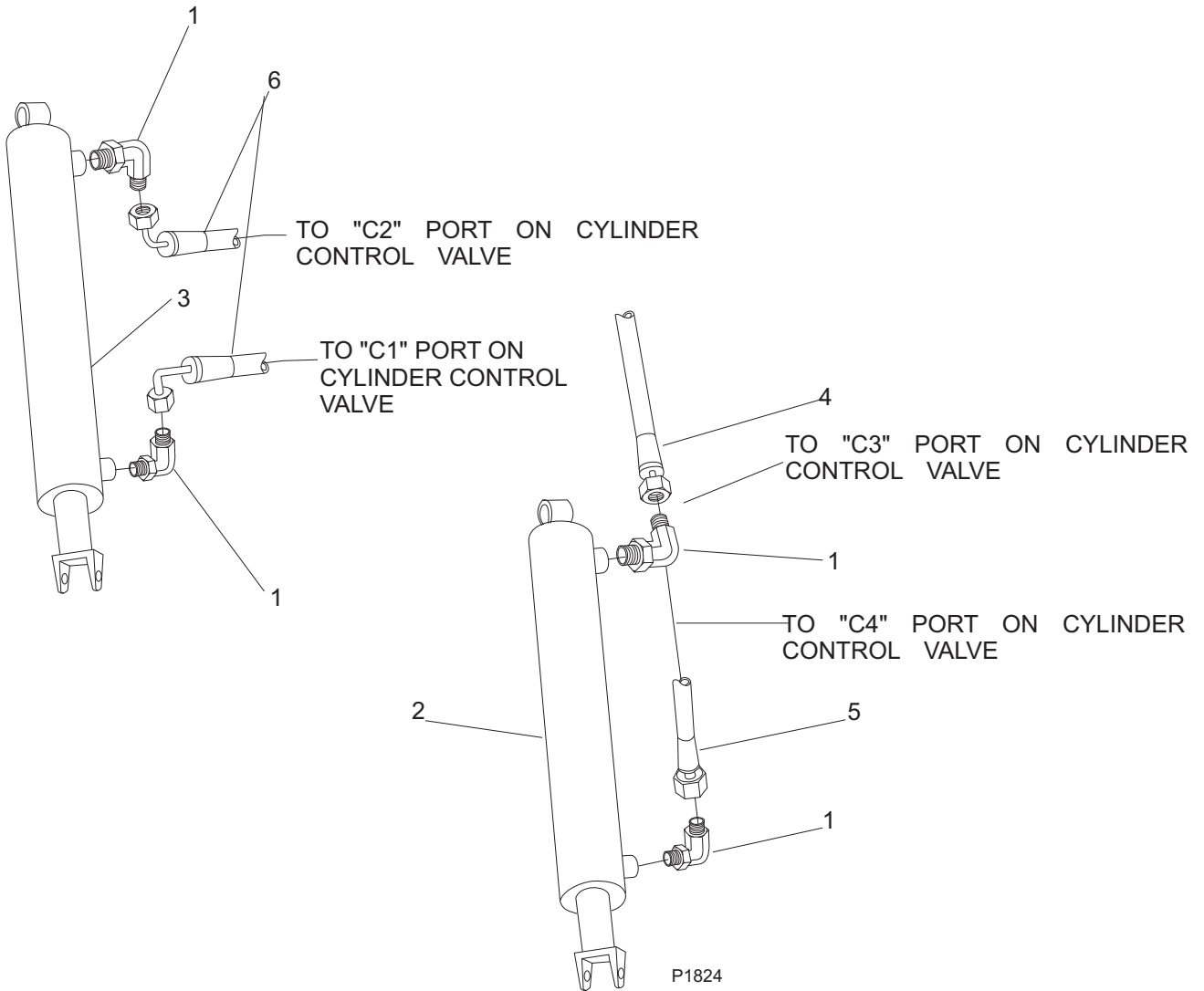
[ ] = Not Shown



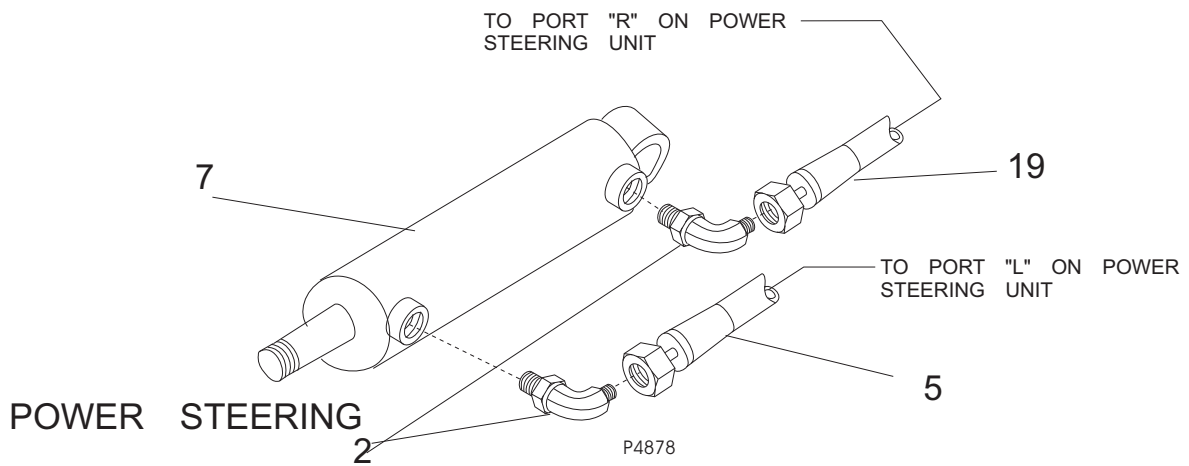
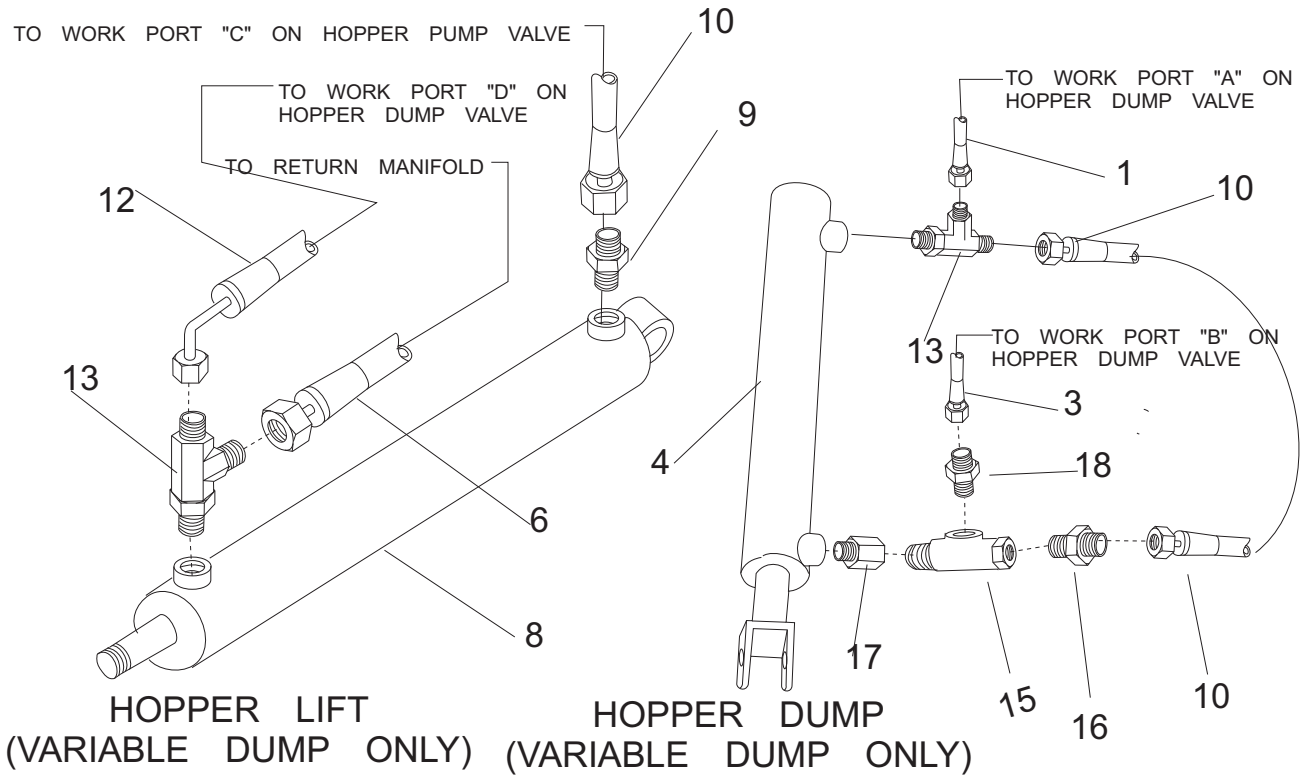
Item	Ref. No.	Qty	Description
1	2-00-04974	1	Fitting - 10 SAE - 8 ORS
2	2-00-04921	4	Fitting - 10 SAE - 90° - 8 ORS
3	56900602	1	Reducer W/O Ring E00026
4	2-00-04970	1	Fitting - 8 SAE - 8 ORS
5	7-33-02326	1	Hose - 17" 90° End
6	7-33-02327	1	Hose - 15.25" 90° End
7	0782-111	3	Scrub Motor Hyd.
[]	0780-070	1	Seal Kit for Motor 0782-111

[] = Not Shown





<b>Item</b>	<b>Ref. No.</b>	<b>Qty</b>	<b>Description</b>
1	2-00-04892	4	ORFS 90° Elbow, 7/16-20 to 9/16-18
2	7-17-05019	1	Hydraulic Cylinder (Squeegee)
3	7-17-05011	1	Hydraulic Cylinder (Scrub Deck)
4	8-33-02189	Ref.	Hose
5	8-33-02218	Ref.	Hose
6	7-33-02189	Ref.	Hose

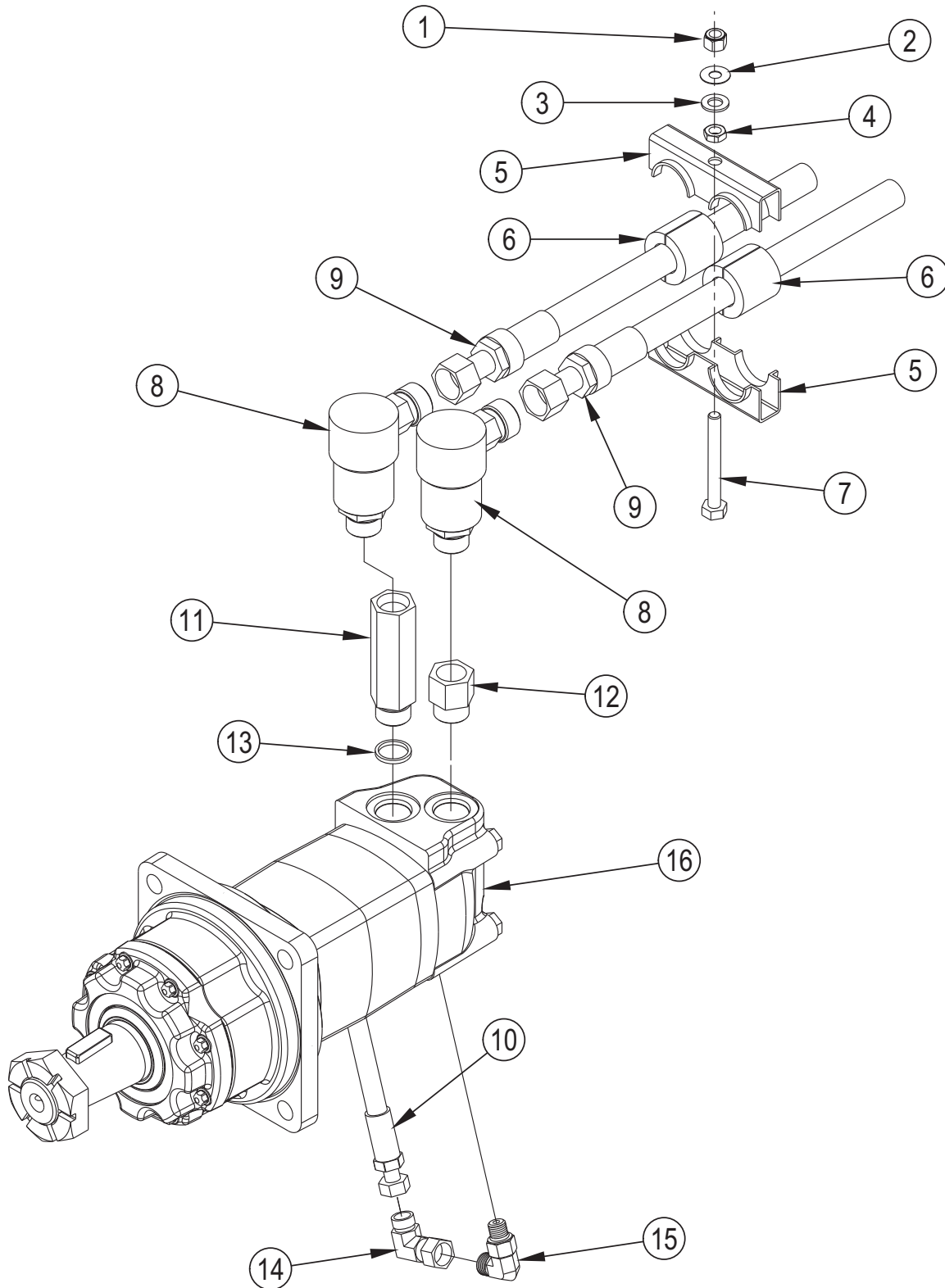


5/2009

**POWER STEERING, HOPPER DUMP, HOPPER LIFT CYLINDERS & FITTINGS****7765****79**

<u>Item</u>	<u>Ref. No.</u>	<u>Qty</u>	<u>Description</u>
1	7-33-02194	Ref.	Hose
2	2-00-04892	2	ORFS 90° Elbow, 7/16-20 to 9/16-18
3	7-33-02195	Ref.	Hose
4	7-17-05020	1	Dump Cylinder
5	7-33-02191	Ref.	Hose
6	8-33-02183	Ref.	Hose
7	7-17-05010	1	Steering Cylinder
[ ]	7-70-00021	2	Dump and Steering Cylinders Seal Kit
8	7-17-05013	1	Lift Cylinder
[ ]	0880-506	1	Lift Cylinder Seal Kit
9	2-00-04895	1	ORFS Connector, 7/16-20 to 9/16-18
10	8-33-02178	Ref.	Hose
12	7-33-02225	Ref.	Hose
13	2-00-04927	2	Run Tee Fitting
15	8-88-00045	1	Fitting, Check Valve
16	2-00-04997		Fitting Adapter, 9/16-18 ORFS - 1/4-18 NPT
17	2-00-04994	1	Adapter Fitting
18	2-00-05054	1	Adapter Fitting
19	7-33-02225	Ref.	Hose

[ ] = Not Shown



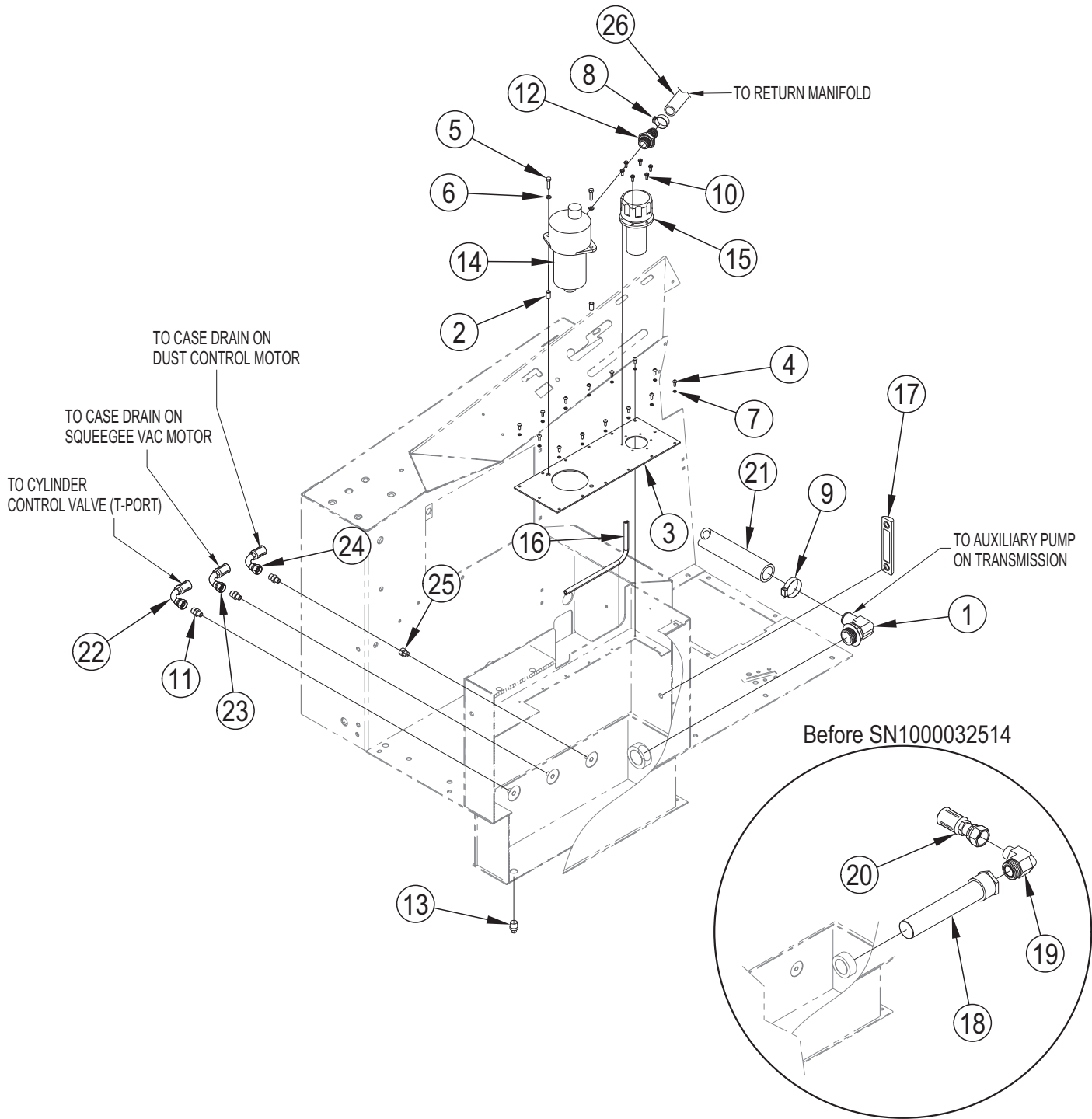
5/2009	<b>REAR WHEEL MOTOR &amp; FITTINGS</b>			
11/2018	<b>7765</b>			<b>81</b>

<b>Item</b>	<b>Ref. No.</b>	<b>Qty</b>	<b>Description</b>
1	2-00-00644	1	Nut, Fiber Lock 5/16 - 18 THD's
2	7-23-03048	1	Spring Washer, .750 x .312 x .013
3	560091939	1	Flat Washer, SAE 5/16
4	56009086	1	Nut, Hex Jam 5/16-18
5	7-13-07110	1	Hose Clamping Unit
6	7-09-01121	2	Split Hose Bushing
7	2-00-01770	1	Screw, 5/16-18 x 2.750 HHC
8	2-00-05358	2	Fitting
9	7-33-02223	2	Hose
10	8-33-02184	1	Hose
11	56109705	1	Adaptor-Hydraulic Motor <b>NOTE 2</b>
12	56900602	1	Reducer W/O Ring <b>NOTE 2</b>
13	2-00-04748	1	Ring - "O" <b>NOTE 2</b>
14	2-00-05545	1	Elbow, 90 Deg Swivel <b>NOTE 2</b>
15	2-00-04892	1	Elbow, 90 Deg Adaptor <b>NOTE 2</b>
16	56109707	1	Wheel Motor <b>NOTE 2</b>
[ ]	8-70-00026	1	(Key - one comes w/motor) <b>NOTE 2</b>
[ ]	56463039	1	(Nut-Hex Slotted - one comes w/motor) <b>NOTE 2</b>
[ ]	56109718	1	Seal Kit (for 56109707) <b>NOTE 2</b>
[ ]	8-03-02035	1	Fitting <b>NOTE 1</b>
[ ]	7-03-00054	1	Fitting <b>NOTE 1</b>
[ ]	2-00-04620	2	Seal <b>NOTE 1</b>
[ ]	2-00-04895	1	Fitting <b>NOTE 1</b>
[ ]	56109736	1	Wheel Motor Kit <b>NOTE 1</b>
[ ]	0880-238	1	Motor Seal <b>NOTE 1</b>
[ ]	0880-237	1	Shaft Seal for Eaton P/N 110-1085-004 <b>NOTE 1</b>
[ ]	0880-586	1	Shaft Seal for Eaton P/N 110-1085-006 <b>NOTE 1</b>

[ ] = Not Shown

**NOTE 1:** Used on machines up to Serial No. 1000032514.

**NOTE 2:** Used on machines Serial No. 1000032514 and above.



5/2009

**HYDRAULIC RESERVOIR - FILTER & FITTINGS**

6/2017

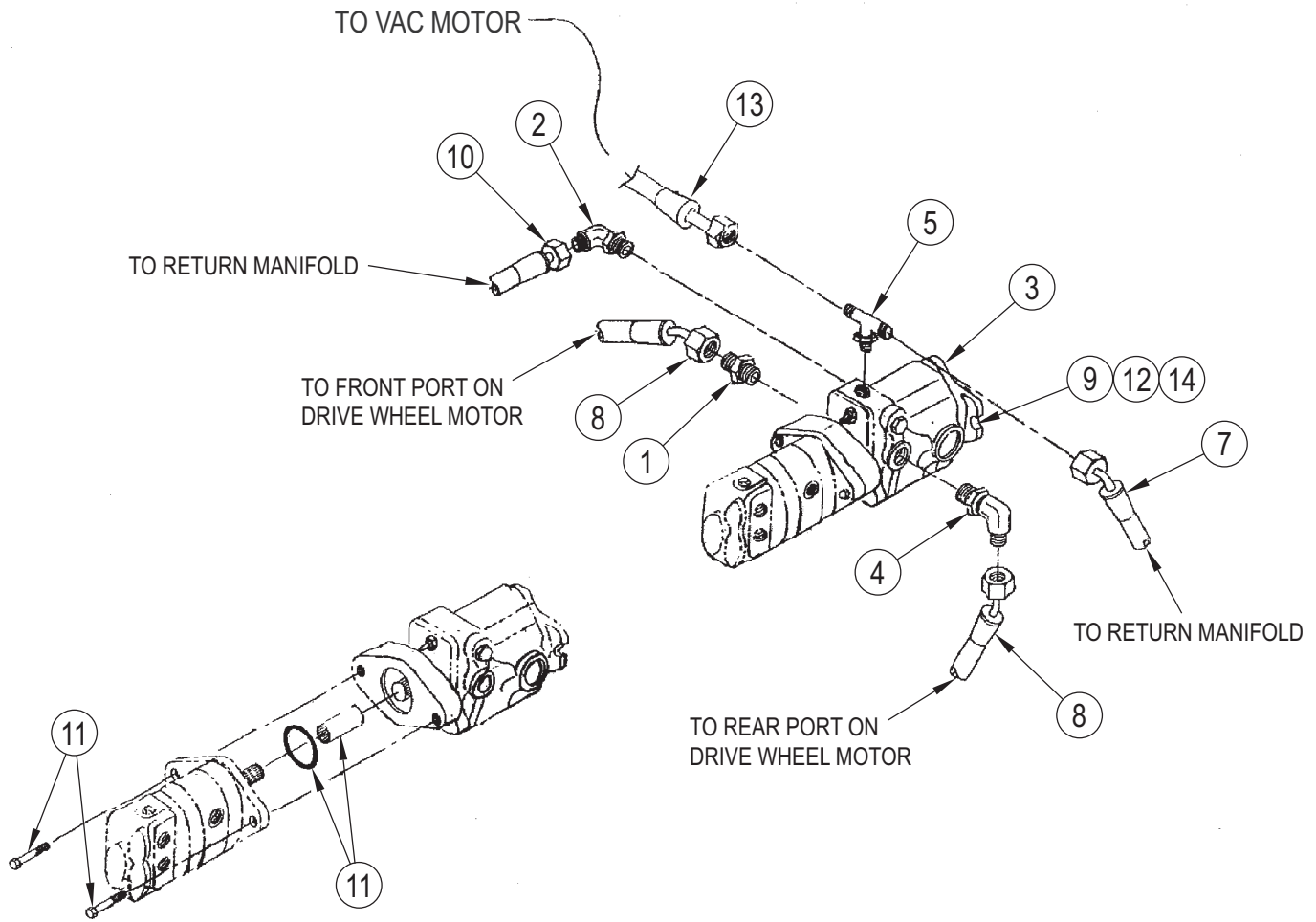
**7765****83**

<b>Item</b>	<b>Ref. No.</b>	<b>Qty</b>	<b>Description</b>
1	56508846	1	Elow Barbed Hyd Fitting <b>NOTE 2</b>
2	2-00-05261	2	Nutsert, 1/4-20
3	56514778	1	Cover-Reservoir
4	2-00-00049	14	Scw-Rhm 10-24 X .50 Zn Pl
5	2-00-00205	2	Bolt-Hex Head, Finished, 1/4-20
6	2-00-00518	2	Washer,Lock,1/4" Helical Spring
7	2-00-00519	14	Washer-Lock, #10-24, Helical Spring
8	2-00-02220	1	Clamp, Hose
9	56329145	1	Clamp Hose Sae 24 E00047 <b>NOTE 2</b>
10	2-00-03940	6	Screw-T/C HH #10-24 X .50 LG
11	2-00-04895	3	Fitting-Straight Connector
12	2-00-05073	1	Fitting, -16 Orb, Str Hose Barb
13	2-00-05362	1	Plug-1/2 Npt Hex Soc Pipe
14	7-24-04031	1	Filter-Return (Immersed)
15	56107825	1	Filler Cap
16	8-21-04055	12	Edging
17	8-48-05034	1	Gauge, Fluid Level (Hydraulic Oil)
18	8-24-04115	1	Strainer <b>NOTE 1</b>
19	2-00-05354	1	Fitting, 3/4 NPT x 1 7/16-12 <b>NOTE 1</b>
20	7-33-02331	1	Hose <b>NOTE 1</b>
21	56109710	1	Hose <b>NOTE 2</b>
22	7-33-02225	1	Hose
23	7-33-02224	1	Hose
24	7-33-02333	1	Hose
25	2-00-05177	1	Plug, 7/16-20 O-Ring <b>NOTE 3</b>
26	7-33-02244	1	Hose

**NOTE 1:** Used on machines up to Serial No. 1000032514.

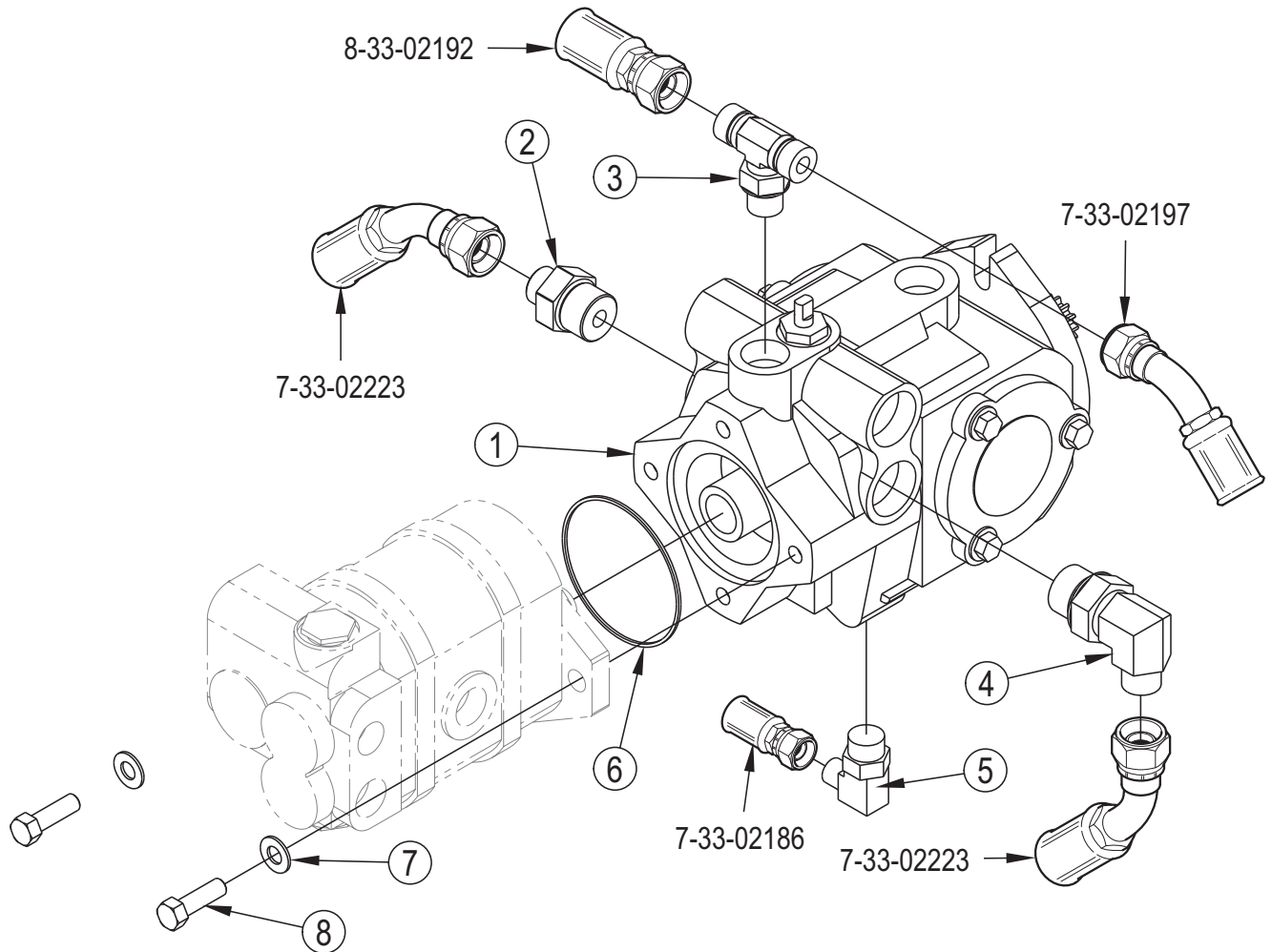
**NOTE 2:** Used on machines Serial No. 1000032514 and above.

**NOTE 3:** Manual Dump Only.

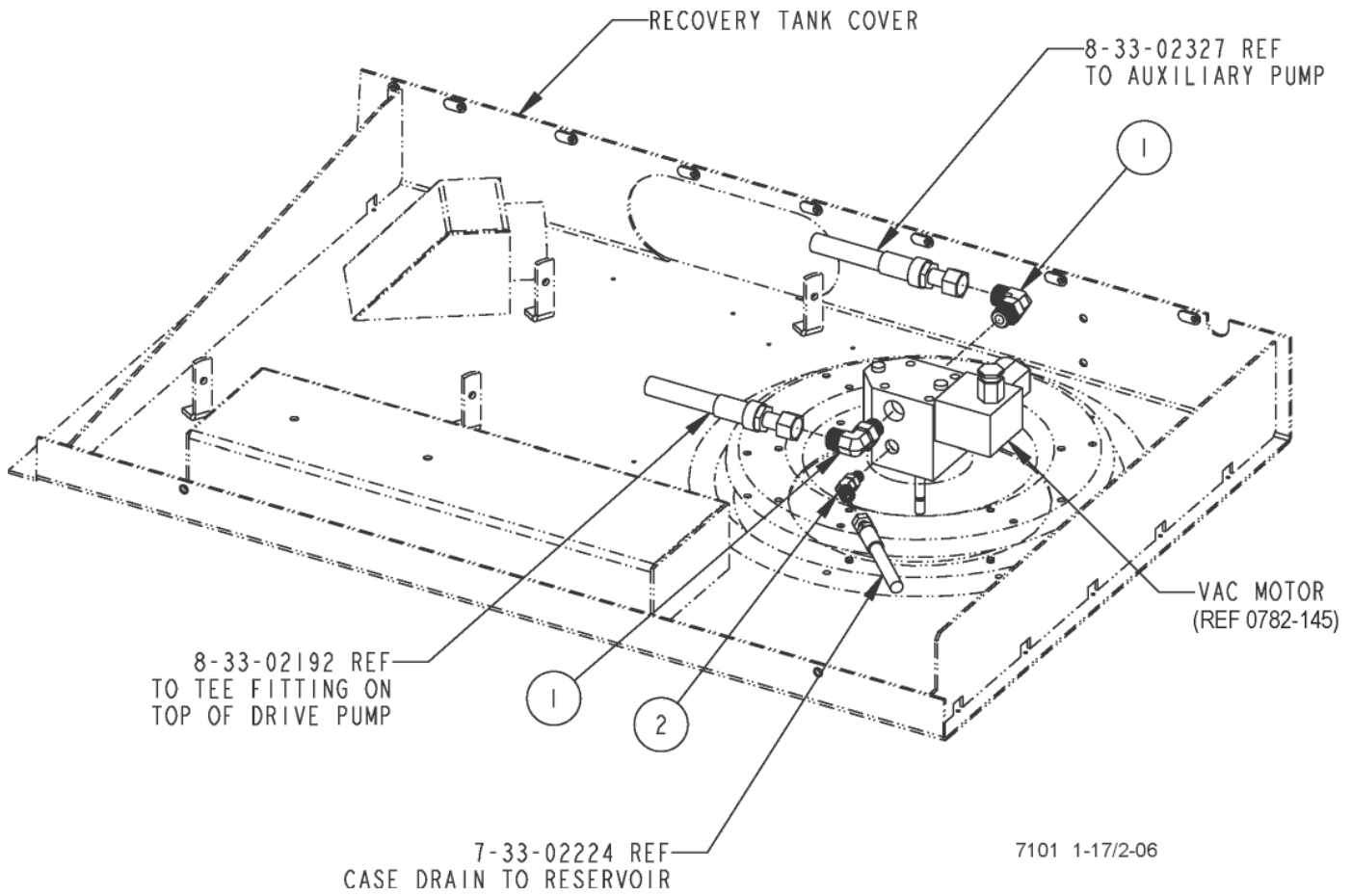


Item	Ref. No.	Qty	Description
1	2-00-04979	1	ORFS Connector, 1 1/16-12 to 13/16-16
2	2-00-04926	1	ORFS 90° Elbow, 9/16-18
3	7-60-05026	1	Drive Pump
4	2-00-04922	1	ORFS 90° Elbow, 1 1/16-12 to 13/16-16
5	2-00-04978	1	Tee Fitting
6	7-60-05027	Ref.	Auxiliary Pump (Double Gear)
7	7-33-02197	Ref.	Hose
8	7-33-02223	Ref.	Hose
9	56001858	2	Screw, .375-16 x 1.25 HHC
10	7-33-02186	Ref.	Hose
11	0880-685	1	Kit, Pump Assembly
12	2-00-02310	2	Lock Washer, Helical Spring
13	8-33-02192	1	Hose, ORS 8-STR, 74"
14	2-00-00402	2	Flat Washer, .750 x .391 x .093



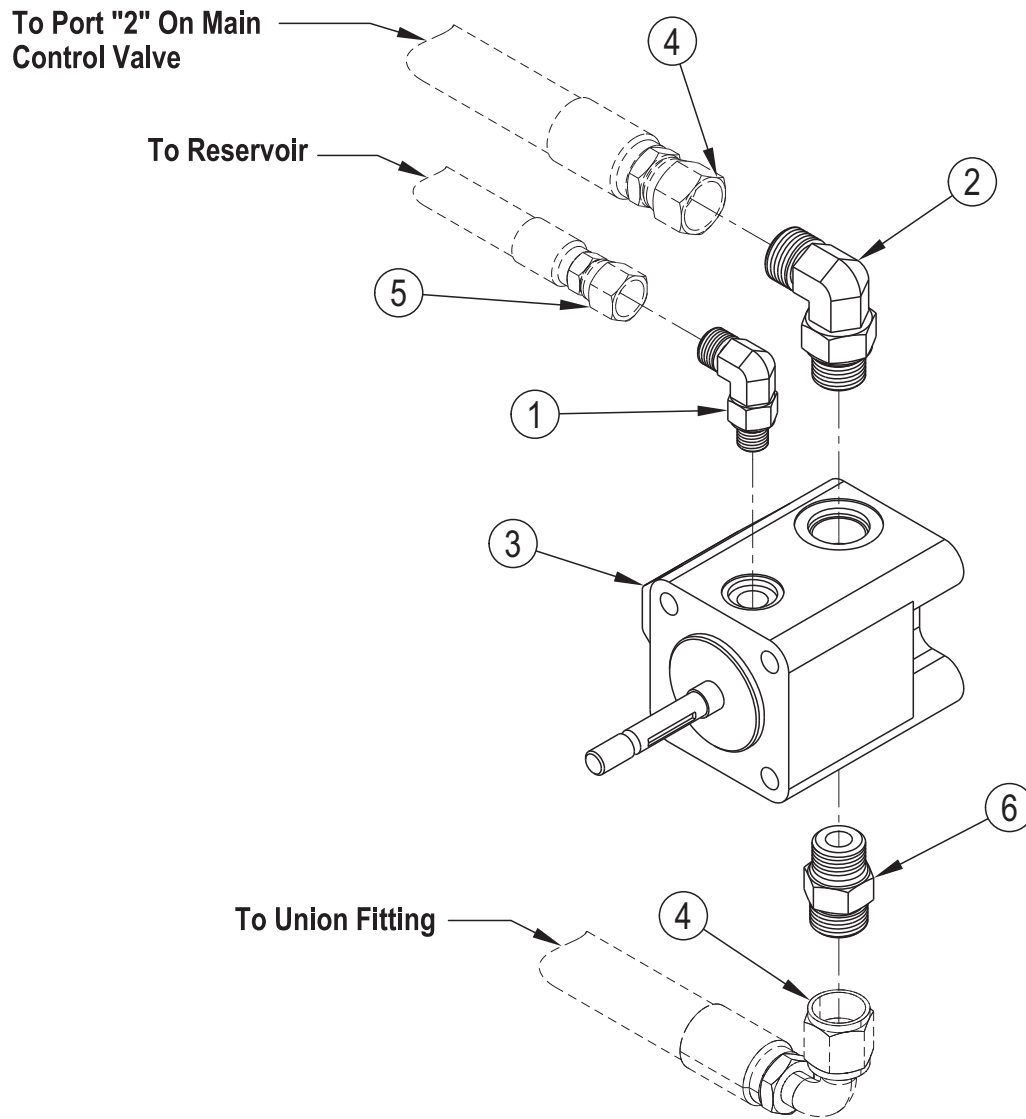


Item	Ref. No.	Qty	Description
1	56514943	1	Drive Pump
[ ]	56305360	1	Seal Kit (for 56514943)
[ ]	56111605	1	Relief Valve 3500 PSI (for 56514943)
2	2-00-04979	1	ORFS Connector, 1 1/16-12 to 13/16-16
3	2-00-04978	1	Tee Fitting
4	2-00-04922	1	ORFS 90° Elbow, 1 1/16-12 to 13/16-16
5	2-00-05491	1	Fitting - 90°
6	56488002	1	O-Ring
7	56002063	2	Washer, Flat - SAE 3/8
8	56003029	2	Screw, Hex Loc 3/8 - 16 x 1.25

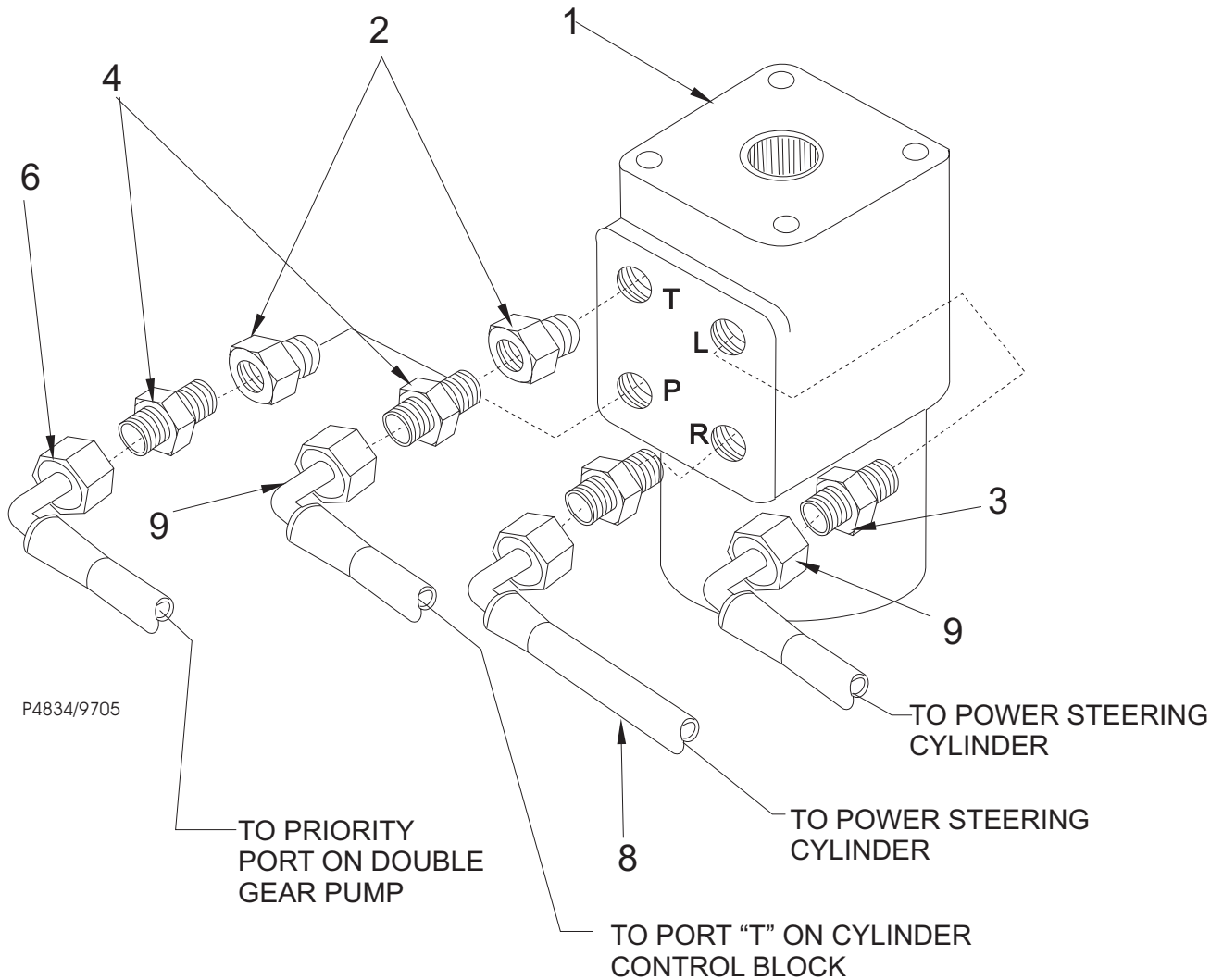


5/2009	<b>VAC MOTOR &amp; FITTINGS</b>		
2/2010	<b>7765</b>		<b>87</b>

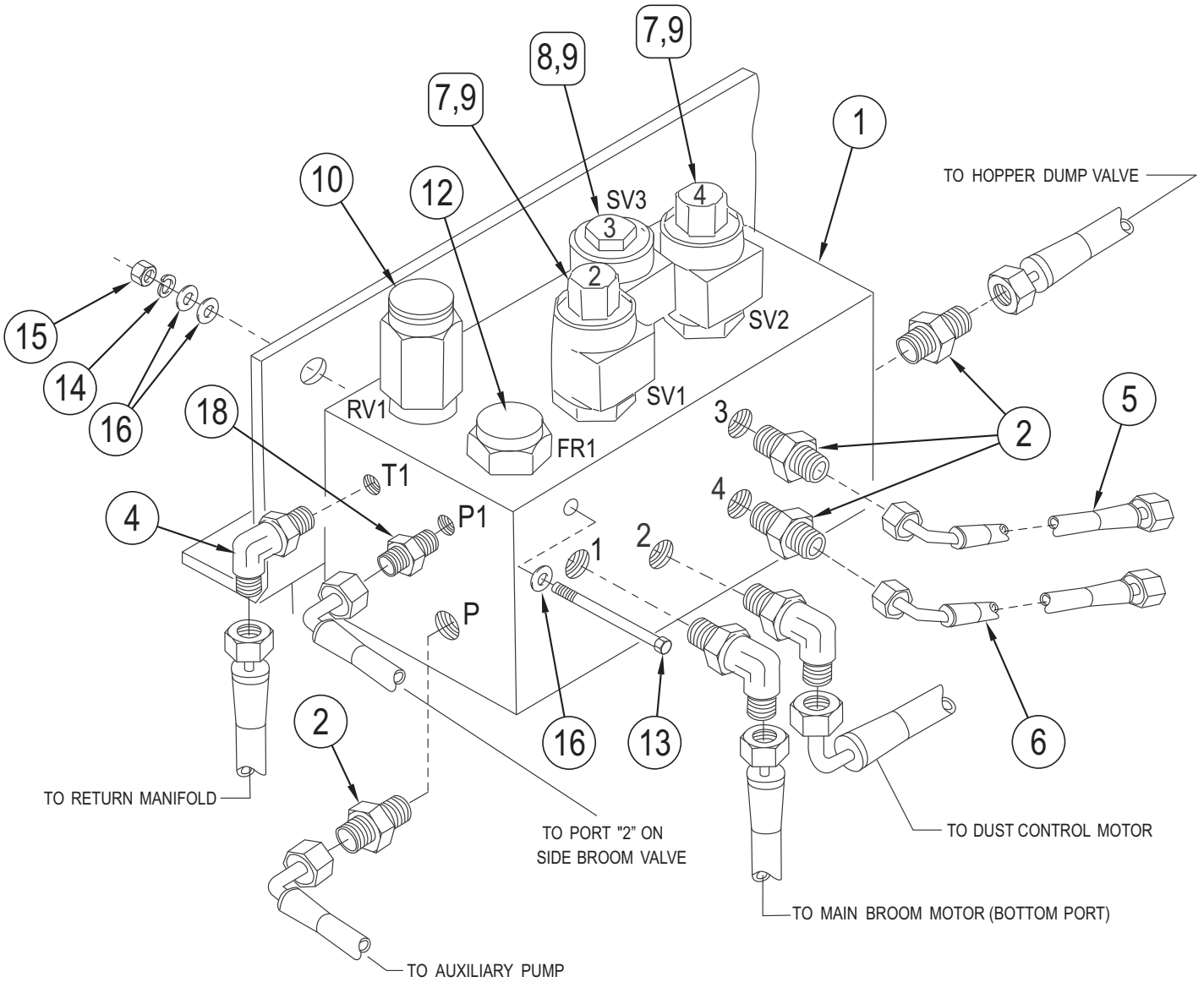
<u>Item</u>	<u>Ref. No.</u>	<u>Qty</u>	<u>Description</u>
1	2-00-04885	2	Fitting, 90° Elbow (O-Ring)
2	2-00-04976	1	Fitting, -4 ORB x -4 ORS, 45° Elbow



Item	Ref. No.	Qty	Description
1	2-00-04892	1	Fitting, 90° #4 SAE x #4 ORS
2	2-00-04885	1	Fitting, 90° #8 SAE x #8 ORS
3	0882-041	1	Dust Control Motor
4	7-33-02332	Ref.	Hose
5	7-33-02333	Ref.	Hose
6	2-00-04970	1	Fitting, STRT #8 SAE x #8 ORS



Item	Ref. No.	Qty	Description
1	7-60-05029	1	Power Steering Unit
2	2-00-04932	2	ORFS Boss Reducer, 3/4-16 to 9/16-18
3	2-00-05264	2	Fitting, Straight
4	2-00-04918	1	ORFS Connector, 9/16-18
6	7-33-02334	Ref.	Hose
8	7-33-02225	Ref.	Hose
9	7-33-02191	Ref.	Hose, 67"



5/2009

**MAIN CONTROL VALVE & FITTINGS**

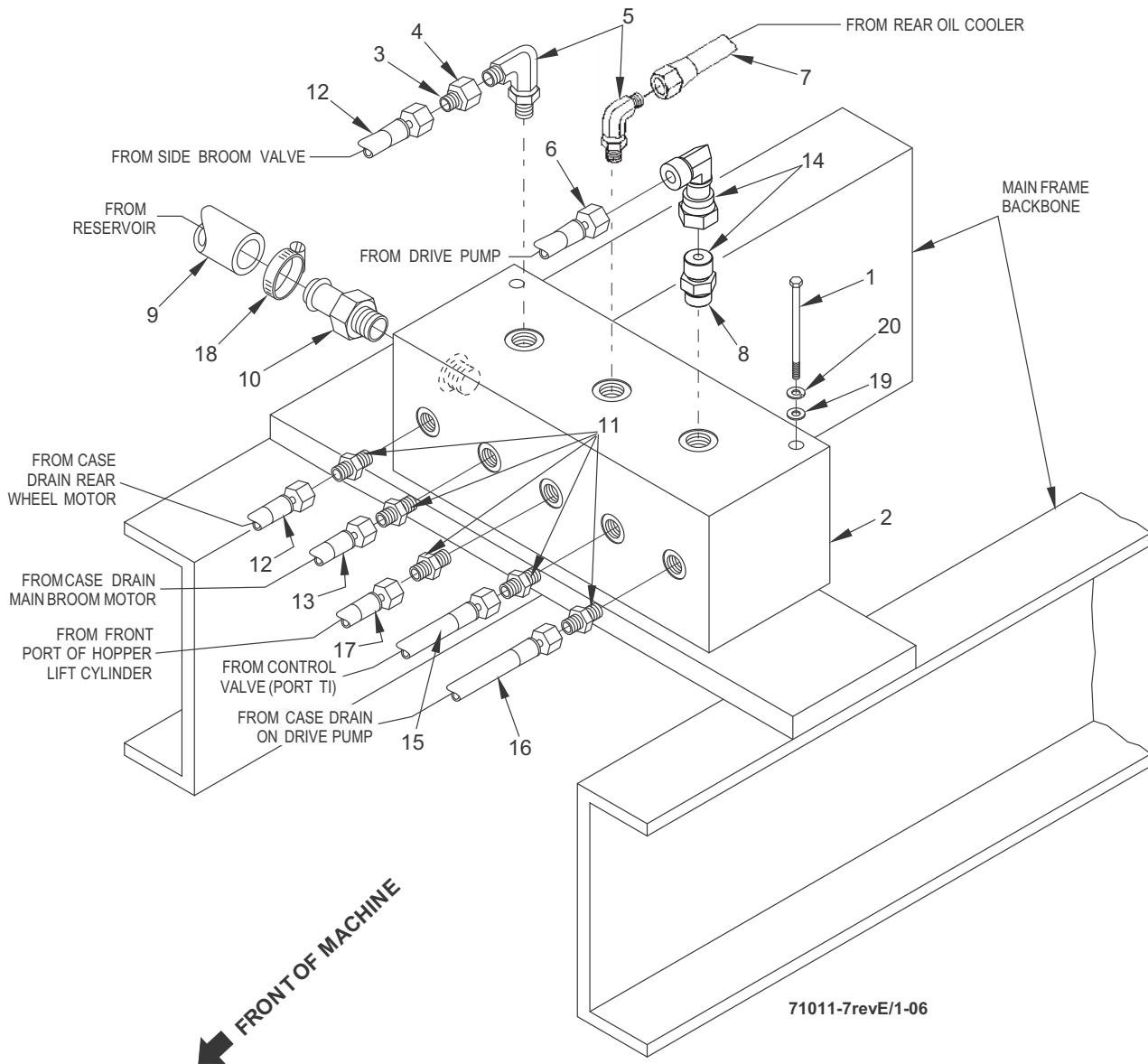
2/2020

**7765****91**

<u>Item</u>	<u>Ref. No.</u>	<u>Qty</u>	<u>Description</u>
1	7-88-00071	1	Valve
2	2-00-04970	4	Fitting - Straight
3	2-00-04885	2	ORFS 90° Elbow, 3/4-16 to 13/16-16
4	2-00-04892	1	ORFS 90° Elbow, 7/16-20 to 9/16-18 (Gas Only)
5**	8-33-02326	Ref.	Hose
5#	7-33-02325	Ref.	Hose (Gas Only)
6	7-33-02205	Ref.	Hose
7	7-12-02003	2	Cartridge Solenoid Valve N.O.
8	7-12-02004	1	Cartridge Sol Valve 2pos 4way
9	7-14-07005	2	Coil
10	7-12-02002	1	Cartridge Relief Valve
9**	2-00-04978	1	Fitting - 90 °
11**	2-00-04895	1	Fitting - Straight
12	7-12-02001	1	Cartridge Priority Flow Div.
13	2-00-04986	2	Screw, 1/4 - 20 x 4.500 HHC
14	2-00-00518	2	Lock Washer, 1/4 Split
15	2-00-00594	2	Nut, Hex 1/4 - 20 x .437 x .218
16	2-00-03702	6	Flat Washer For 1/4 Bolt
18**	2-00-04895	1	Fitting - Straight
18#	2-00-04885	1	ORFS 90° Elbow, 3/4-16 to 13/16-16 (Gas Only)

\*\* = Diesel Only

# = Gas Only





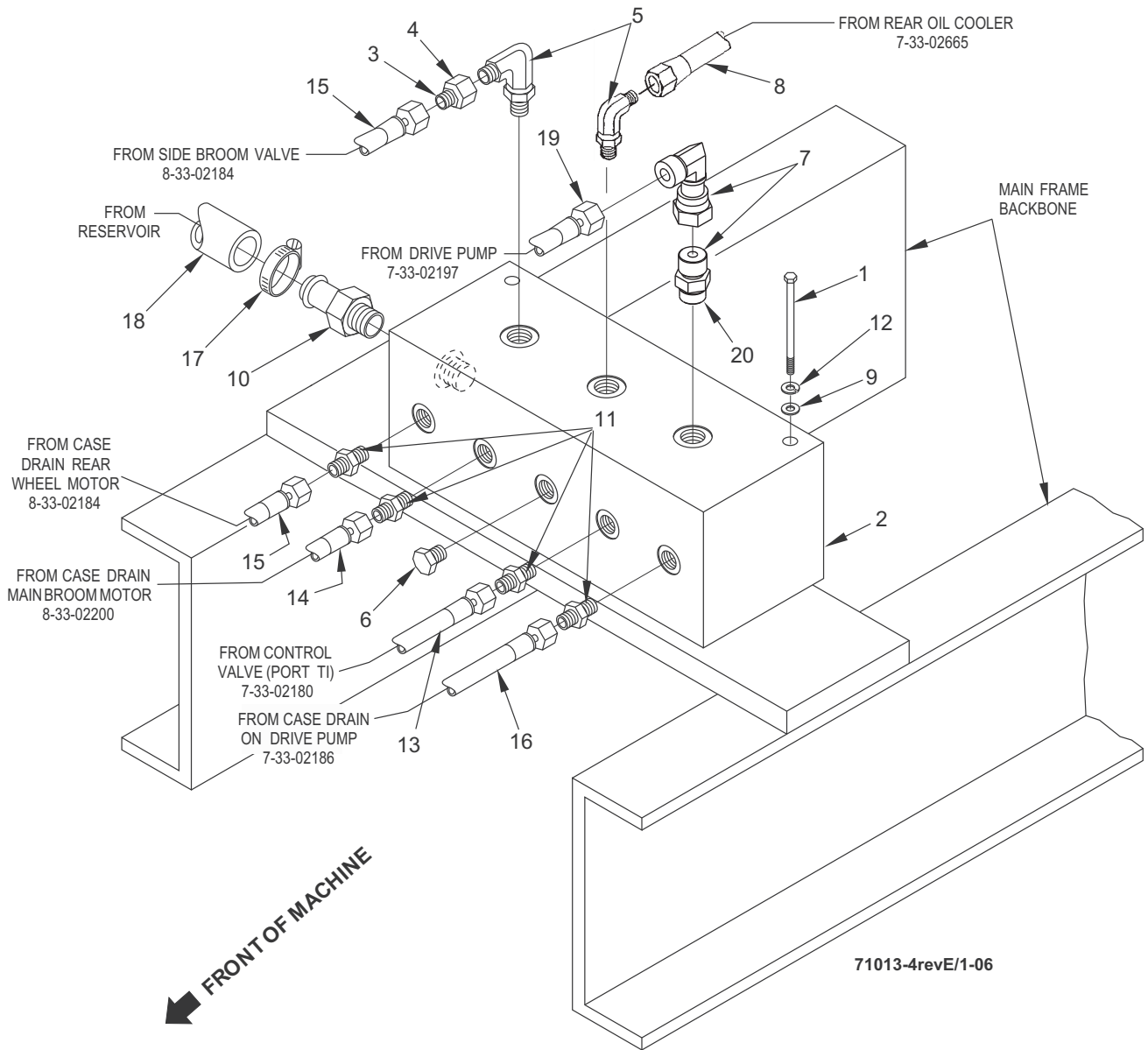
5/2009

**RETURN MANIFOLD & FITTINGS - VARIABLE DUMP**

6/2017

**7765****93**

<u>Item</u>	<u>Ref. No.</u>	<u>Qty</u>	<u>Description</u>
1	56002603	2	Screw, 1/4-20 x 3.0 HHC
2	7-48-00019	1	Return Manifold
3	2-00-04929	1	Reducer (O-Ring Face), ORS 8 to 4
4	2-00-04939	1	Nut for Reducer
5	2-00-04885	2	ORFS 90° Elbow, 3/4-16 to 13/16-16
6	7-33-02197	1	Hose
7	7-33-02551	1	Hose
8	56109203	1	Valve-Check
9	7-33-02244	1	Hose
10	2-00-05073	1	Fitting, Straight Barbed Stem, 1-11 1/2 x .50 x 2.57
11	2-00-04895	5	Fitting, ORFS Connector, 7/16-20 to 9/16-18
12	8-33-02184	1	Hose
13	8-33-02200	1	Hose
14	56109204	1	Check Valve Kit
15	7-33-02180	1	Hose
16	7-33-02186	1	Hose
17	8-33-02183	1	Hose
18	2-00-02220	1	Clamp, 13/16 to 1.50 Hose
19	2-00-00407	2	Flat Washer, .56 x .26 x .063
20	2-00-00518	2	Lock Washer, 1/4



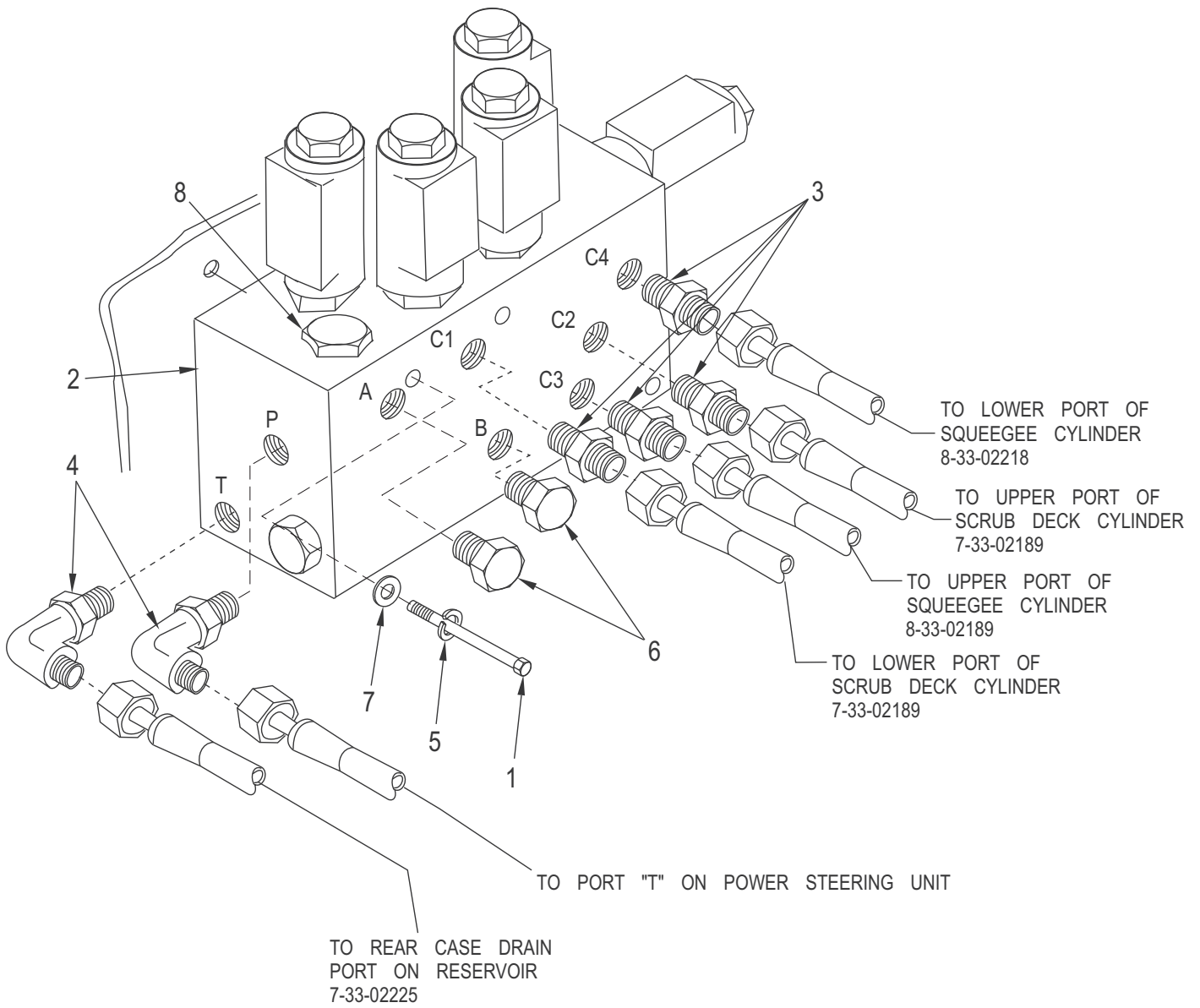
5/2009

**RETURN MANIFOLD & FITTINGS - MANUAL DUMP**

6/2017

**7765****95**

<b>Item</b>	<b>Ref. No.</b>	<b>Qty</b>	<b>Description</b>
1	56002603	2	Screw, 1/4-20 x 3.0 HHC
2	7-48-00019	1	Return Manifold
3	2-00-04929	1	Reducer (O-Ring Face), ORS 8 to 4
4	2-00-04939	1	Nut for Reducer
5	2-00-04885	2	ORFS 90° Elbow, 3/4-16 to 13/16-16
6	2-00-05177	1	Plug, 7/16-20 O-Ring
7	56109204	1	Check Valve Kit
8	7-33-02551	1	Hose
9	2-00-00407	2	Flat Washer, .56 x .26 x .063
10	2-00-05073	1	Fitting, Straight Barbed Stem, 1-11 1/2 x .50 x 2.57
11	2-00-04895	4	Fitting, ORFS Connector, 7/16-20 to 9/16-18
12	2-00-00518	2	Lock Washer, 1/4
13	7-33-02180	1	Hose
14	8-33-02200	1	Hose
15	8-33-02184	2	Hose
16	7-33-02186	1	Hose
17	2-00-02220	1	Clamp, 13/16 to 1.50 Hose
18	7-33-02244	1	Hose
19	7-33-02197	1	Hose
20	56109203	1	Valve, Check



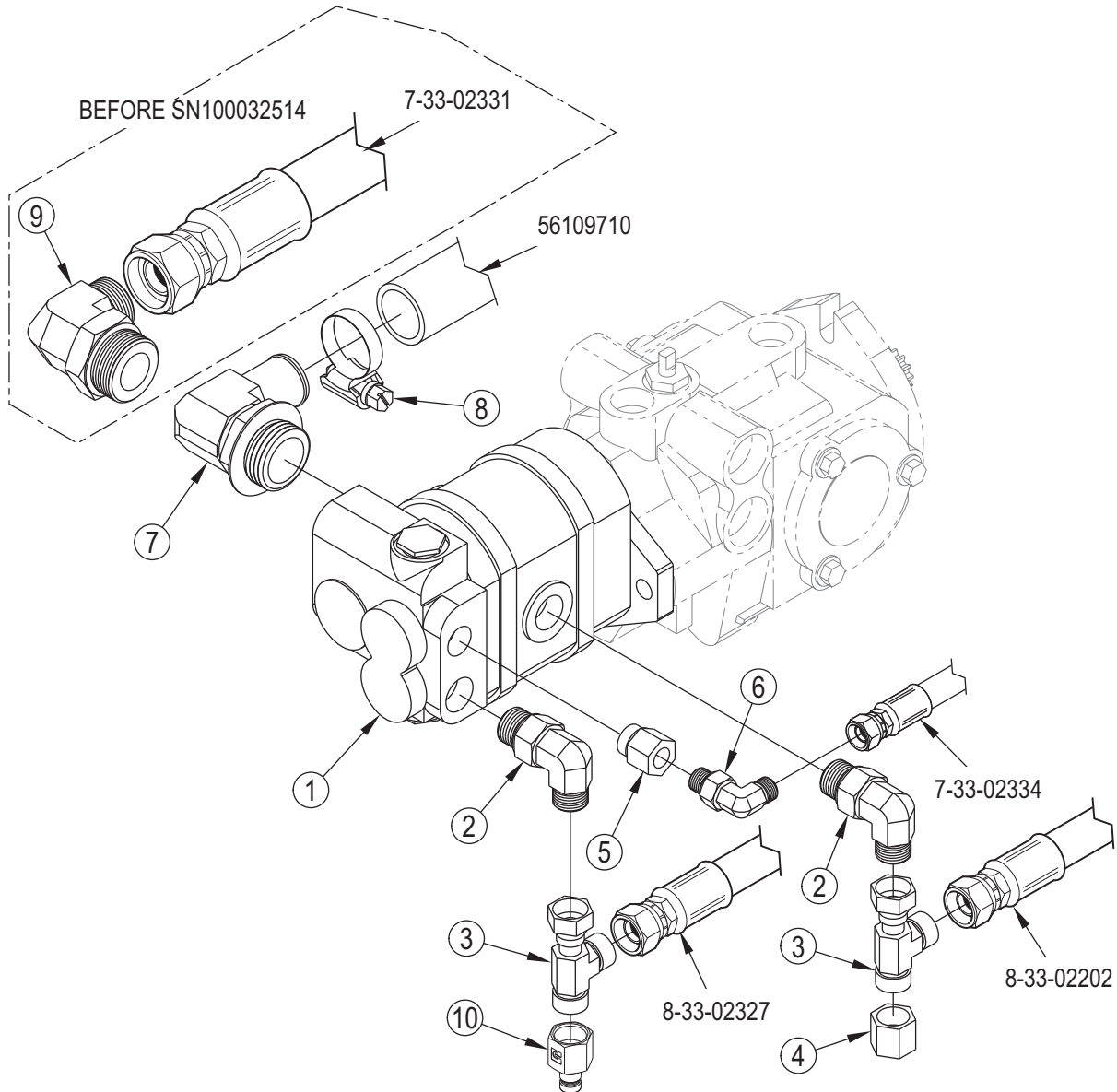
5/2009

**CYLINDER CONTROL VALVE & FITTINGS**

2/2020

**7765****97**

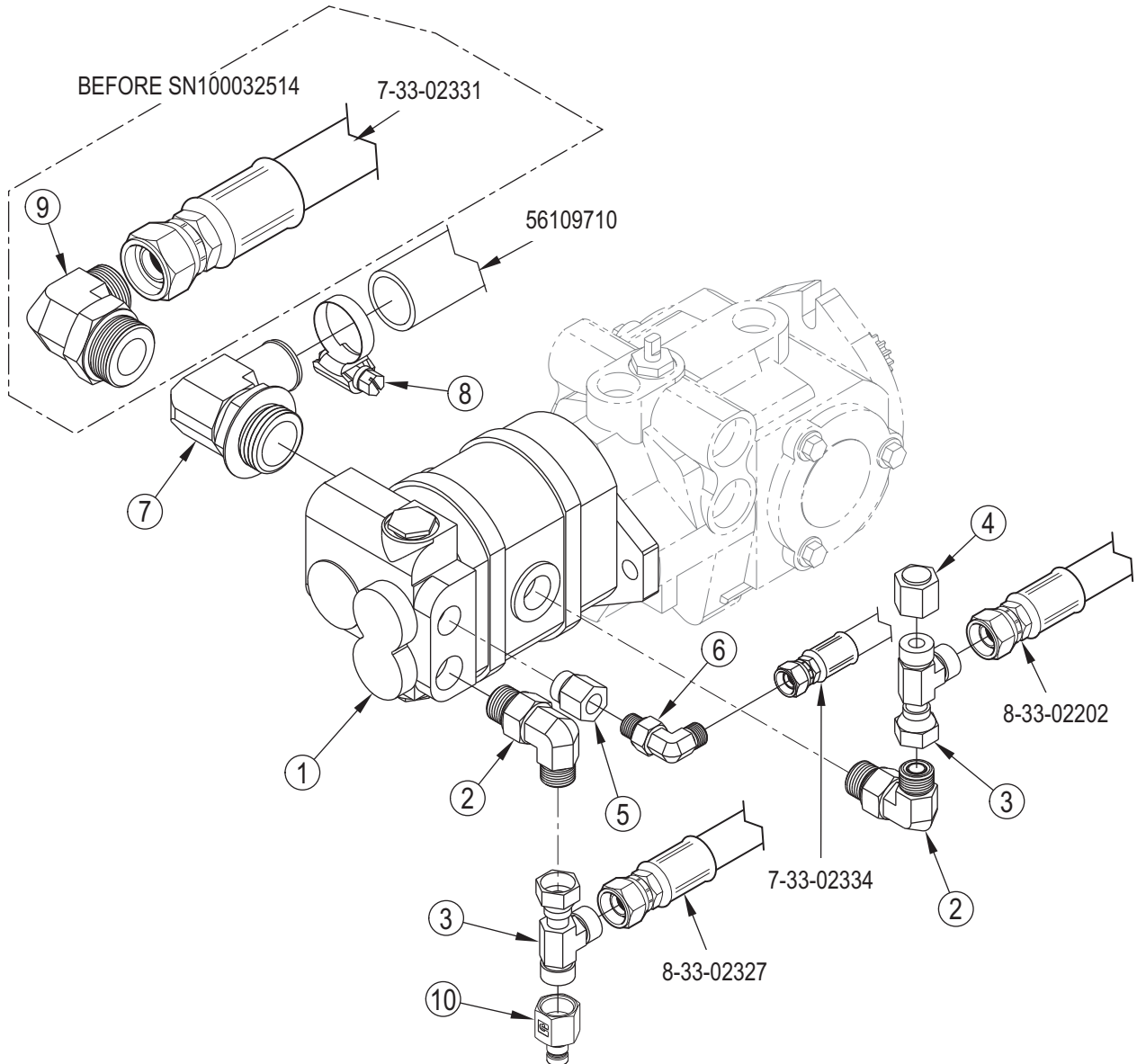
<u>Item</u>	<u>Ref. No.</u>	<u>Qty</u>	<u>Description</u>
1	56002689	2	Scr Hex 1/4-20 X 3.50
2	7-88-00069	1	Valve
3	2-00-04895	6	Straight Fitting
4	2-00-04892	2	ORFS 90° Elbow, 7/16-20 to 9/16-18
5	2-00-00518	2	Lock Washer, 1/4 Split
6	2-00-05177	2	Plug
7	56002098	2	Wsh Flt Sae 1/4
8	7-12-02032	1	Cavity Plug



Item	Ref. No.	Qty	Description
1	7-60-05027	1	Auxiliary Pump
[ ]	0780-410	1	Seal Kit (for 7-60-05027)
2	2-00-04921	2	Fitting, 90° Elbow
3	2-00-04928	2	ORFS Run Tee, 13/16 - 16
4	2-00-04957	1	ORFS Cap, #8 ORS
5	2-00-04932	1	Fitting, Reducer
6	2-00-04926	1	Fitting, 90° Elbow
7	56508846	1	Elbow Barbed Hydraulic Fitting <b>NOTE 2</b>
8	2-00-03404	1	Clamp-Witteck-C24P <b>NOTE 2</b>
9	2-00-05353	1	Fitting, 90° Elbow <b>NOTE 1</b>
10	56394037	1	Ftg-Nipple-Test Port-8-Fors

**NOTE 1:** Used on machines up to Serial No. 1000032514.

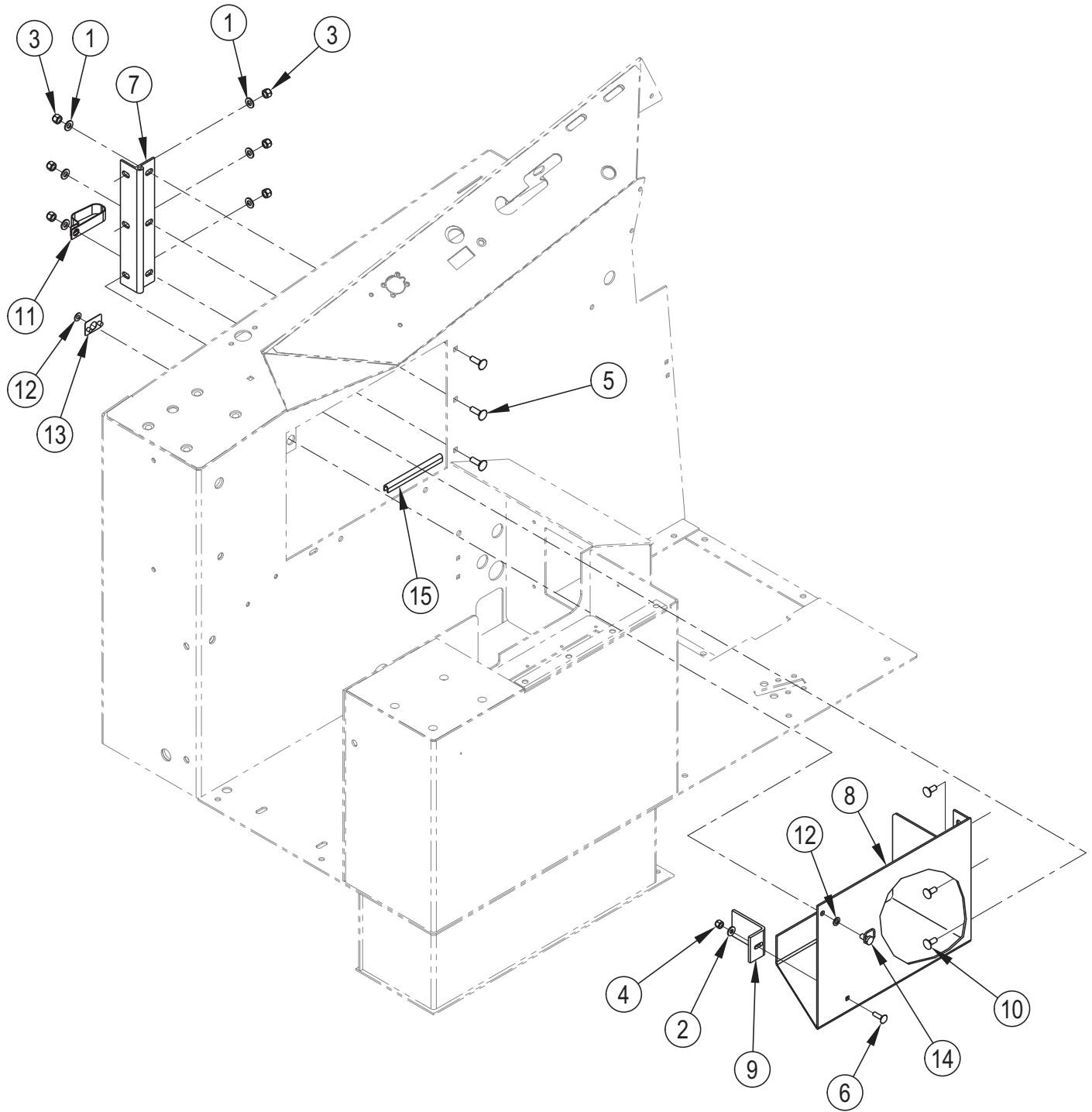
**NOTE 2:** Used on machines Serial No. 1000032514 and above.



Item	Ref. No.	Qty	Description
1	7-60-05027	1	Auxiliary Pump
[ ]	0780-410	1	Seal Kit (for 7-60-05027)
2	2-00-04921	2	Fitting, 90° Elbow
3	2-00-04928	2	ORFS Run Tee, 13/16 - 16
4	2-00-04957	1	ORFS Cap, #8 ORS
5	2-00-04932	1	Fitting, Reducer
6	2-00-04926	1	Fitting, 90° Elbow
7	56508846	1	Elbow Barbed Hydraulic Fitting <b>NOTE 2</b>
8	2-00-03404	1	Clamp-Witteck-C24P <b>NOTE 2</b>
9	2-00-05353	1	Fitting, 90° Elbow <b>NOTE 1</b>
10	56394037	1	Ftg-Nipple-Test Port-8-Forfs

**NOTE 1:** Used on machines up to Serial No. 1000032514.

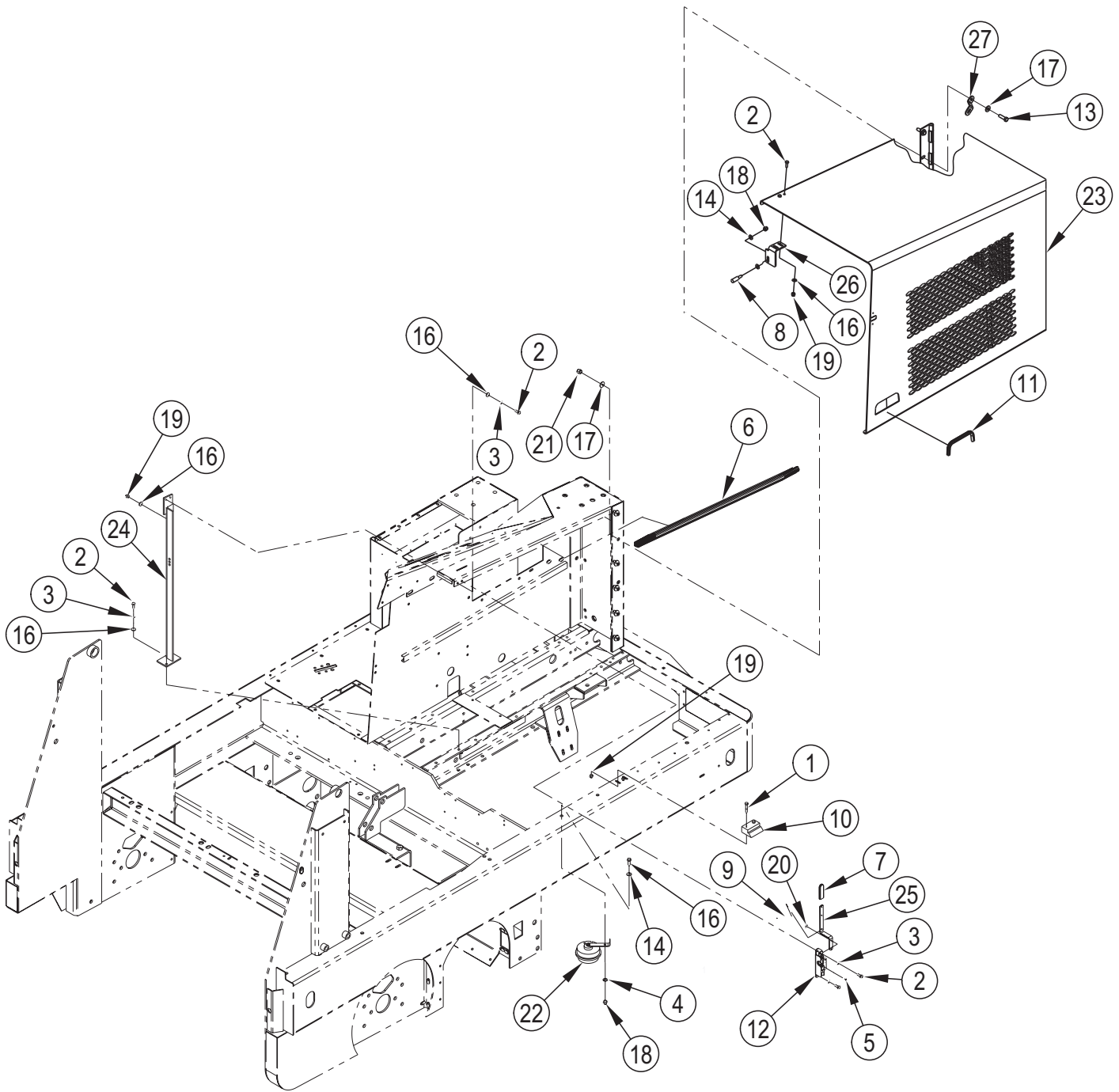
**NOTE 2:** Used on machines Serial No. 1000032514 and above.





5/2009	<b>BATTERY GROUP SYSTEM</b>			
6/2017	<b>7765</b>			<b>101</b>

Kit	Item	Ref. No.	Qty	Description
	1	56001939	6	Wsh, Flt SAE 5/16
	2	56002098	1	Wsh, Flt SAE 1/4
	3	56002701	6	Nut, Hex Nyl Loc 5/16-18
	4	56002708	1	Nut, Hex Nyl Loc 1/4-20
	5	56003720	3	Scr-Carriage SS 5/16-18 X 1.00
	6	2-00-03575	1	Bolt Carr..25-20 X .75 Gr5 Zn
	7	7-32-00023	1	Hinge Battery Access Door
	8	56514751	1	Door-Battery Access
	9	56514752	1	Clamp Fuel Tank
	10	2-00-03569	3	Bolt, Carriage
	11	2-00-05253	1	Clamp, 3/4" Wire, Double
	12	7-23-03106	2	Washer-Screw-Captivated
	13	7-23-03108	1	U Clip-Screw-Captivated
	14	7-23-03113	1	Fastener, Qtr. Turn
	15	8-21-04016	1	Bumper
	[ ]	7-90-07514	1	Cable, Battery (+) (to Starter) (Gas/LP)
	[ ]	7-90-07515	1	Cable, Battery (-) (to Ground) (Gas/LP)
	[ ]	7-90-07262	1	Cable, Battery (-) (to Ground) (Diesel)
	[ ]	2-00-05253	1	Clamp, 1/2" Battery Cable
	[ ]	2-00-05171	1	Boot, Protective (Red)
	[ ]	2-00-05173	1	Boot, Protective (Black)
	[ ]	0875-008	1	Battery (Gas & LP)
	[ ]	0875-057	1	Battery (Diesel)



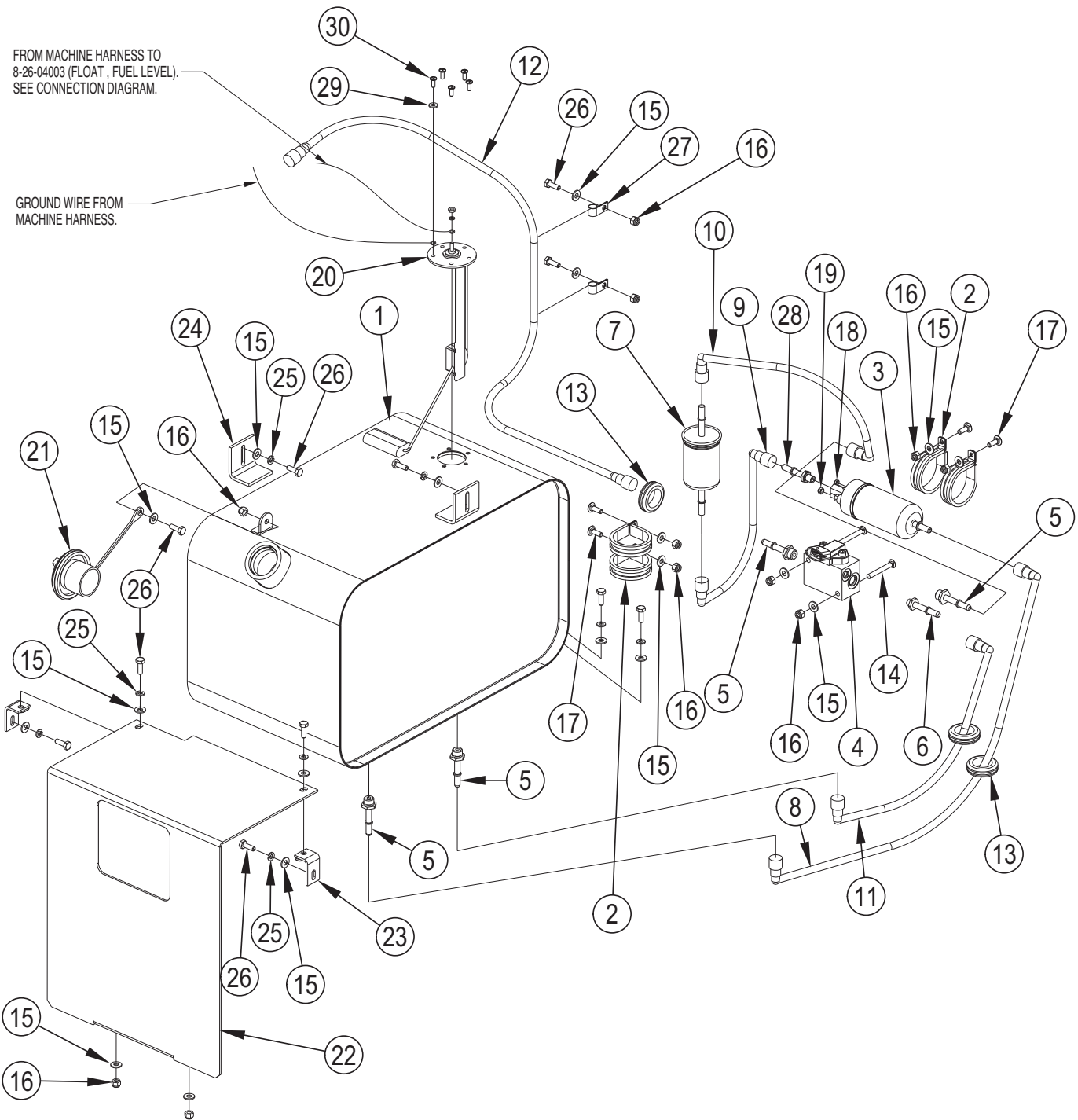
5/2009

**ENGINE COVER ASSEMBLY**

11/2018

**7765****103**

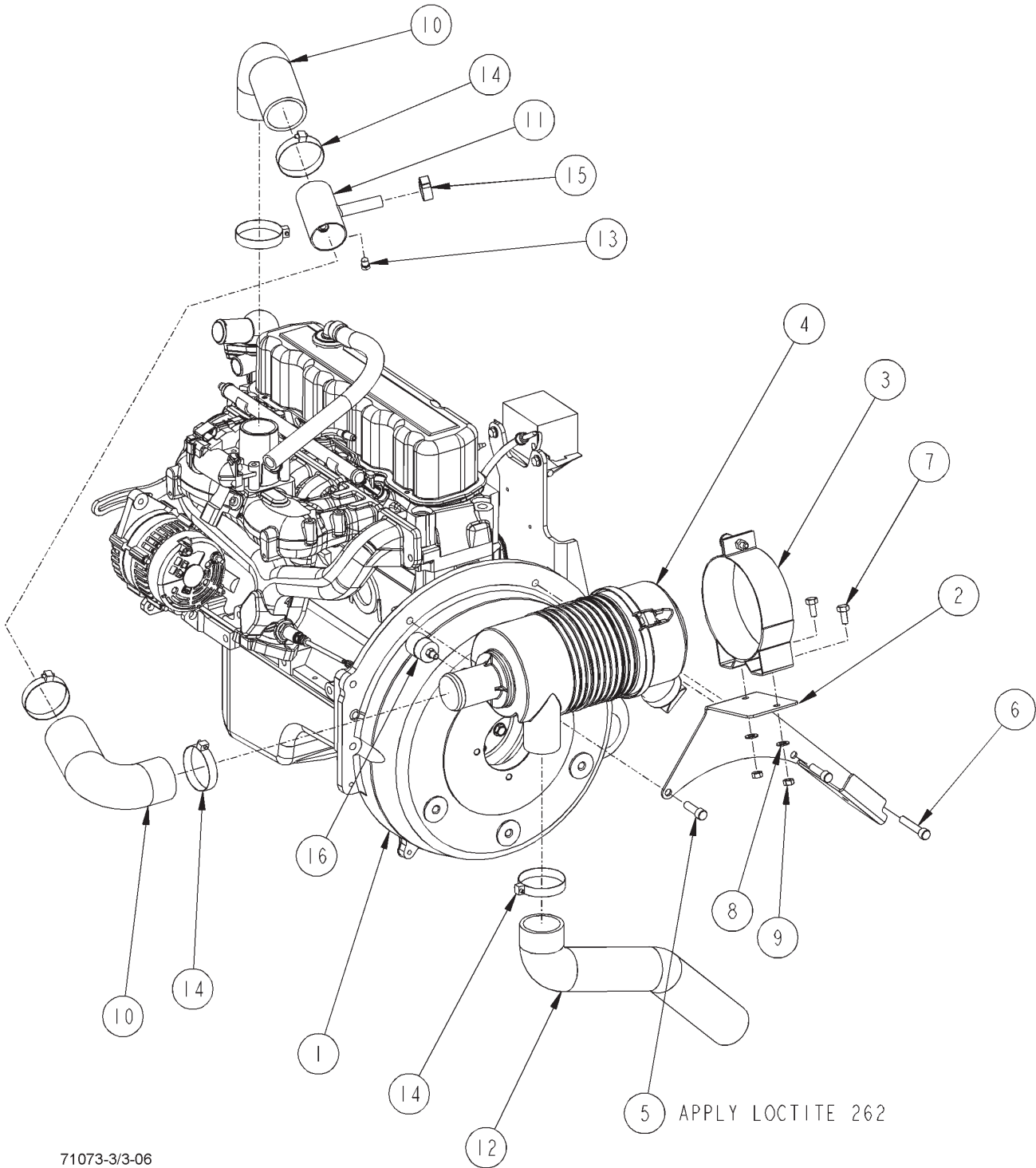
<b>Item</b>	<b>Ref. No.</b>	<b>Qty</b>	<b>Description</b>
1	2-00-00203	2	Bolt, 1/4-20 X 1.5", Screw, Hex Head
2	2-00-00221	6	Screw, HHC . 25-20 X .75 Gr 8 Zn
3	2-00-00518	4	Lock Washer, 1/4" Med. Section Zn
4	2-00-02303	1	Lock Washer, 5/16" HS Med.
5	2-00-04794	2	Screw, #10-24 X .63 Bhs
6	7-29-00157	1	Gasket, Engine Cover Seal
7	7-31-06061	1	Grip, Cover Latch
8	7-55-08116	1	Pin-Striker
9	7-76-00106	1	Spring, Handle Return
10	7-78-05016	1	Engine Cover Stop
11	8-21-04038	1	Edging
12	8-41-00037	1	Latch, Slam
13	56001858	6	Screw, Hex 3/8-16 X 1.25
14	56001939	3	Washer, Flat SAE 5/16
15	56002037	1	Screw, Hex 5/16-18 X .86
16	56002098	5	Washer, Flat SAE 1/4
17	56002220	12	Washer, Flat STD 5/16
18	56002701	2	Nut, Hex Nyl Loc 5/16-18
19	56002708	5	Nut, Hex Nyl Loc 1/4-20
20	56002768	2	Hex, Nyl Loc 10-24
21	56002769	6	Nut, Hex Nyl Loc 3/8-16
22	56442054	1	Horn - 12 VDC
23	56514801	1	Engine Cover
24	56514802	1	Center Support Weldment
25	56514803	1	Handle Cover Latch
26	56514804	1	Bracket, Engine Cover
27	56109092	Ref	Radiator Support Bracket



5/2009	<b>FUEL TANK - GAS</b>		
7/2017	<b>7765</b>		<b>105</b>

<u>Item</u>	<u>Ref. No.</u>	<u>Qty</u>	<u>Description</u>
1	56109112	1	Gasoline Tank Weldment
2	7-13-07243	4	Clamp, Fuel Pump
*3	56305062	1	Fuel Pump
*4	7-11-04082	1	Fuel Temp Manifold
*5	7-11-04083	4	Fitting, -6 SAE x 5/16 Quick Connect
*6	7-11-04084	1	Fitting, -3 SAE x 5/16 Quick Connect
*7	56305412	1	Fuel Filter
8	7-33-02735	1	Hose, Low Permeation Fuel Line
9	7-33-02736	1	Hose, Low Permeation Fuel Line
10	7-33-02737	1	Hose, Low Permeation Fuel Line
11	7-33-02738	1	Hose, Low Permeation Fuel Line
12	7-33-02739	1	Hose, Low Permeation Fuel Line
13	2-00-04721	3	Rubber Grommet
14	2-00-00198	2	Carriage Bolt, 1/4-20 x 2.0
15	2-00-03702	19	Washer, .625 x .281 x .063
16	56002708	11	Nut, 1/4-20 Fiber Insert
17	2-00-03575	4	Carriage Bolt, 1/4-20 x 3/4
18	2-00-06572	1	Nut, M4 Distorted Thread
19	2-00-06573	1	Nut, M5 Distorted Thread
20	8-26-04003	1	Float, Fuel Level
21	56508354	1	Fuel Cap
22	56514816	1	Cover (Weldment)
23	56514817	2	Bracket, Clamp
24	56514818	2	Bracket, Clamp
25	2-00-00518	8	Lock Washer, 1/4 Helical Spring
26	2-00-00221	11	Bolt, 1/4-20 x 3/4 LG Fin. Hex Head
27	56486112	2	Clamp
*28	56109052	1	Fitting, Fuel Pump
29	56009011	1	Wsh, Int SHPRF #10
30	56002147	5	Scr-Pan Phil 10-32 x .50

\* = Included with 0777-069 engine  
See "Spare Parts" and "Engine Service Parts" pages for additional engine replacement parts.



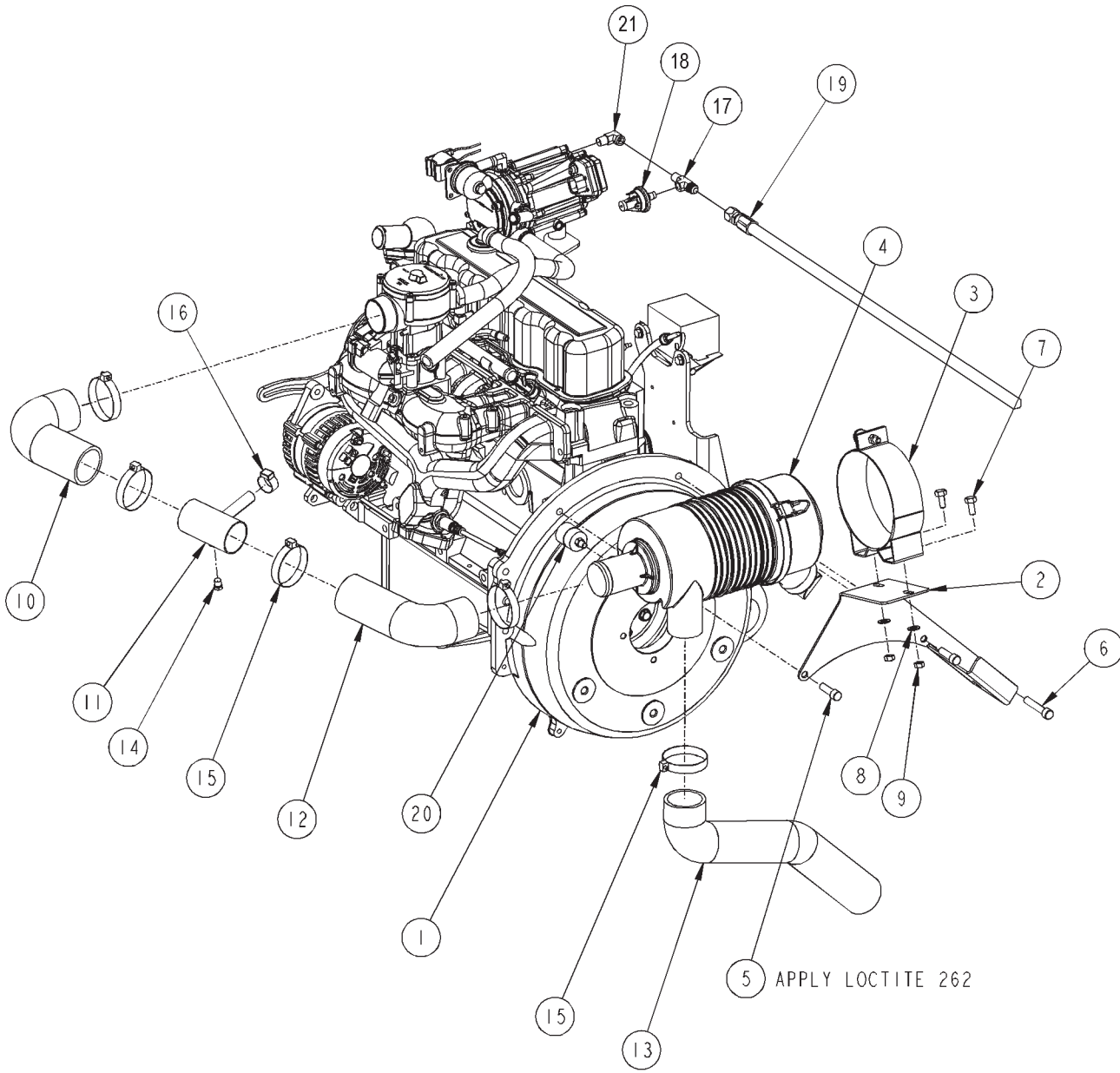
71073-3/3-06

5/2009	<b>GM 3.0 LITER - GAS ENGINE (AIR FILTRATION SYSTEM)</b>		
11/2018	<b>7765</b>		<b>107</b>

<u>Item</u>	<u>Ref. No.</u>	<u>Qty</u>	<u>Description</u>
1	0777-069	1	Engine, GM 3.0 GAS ( <b>IMPCO</b> )
	56380127	1	Engine-PSI, GM 3.0L GAS ( <b>PSI</b> )
2	7-08-01324	1	Bracket, Air Cleaner
3	7-13-07242	1	Clamp, Air Cleaner
4	7-24-04083	1	Filter Assy., Air Cleaner
5	2-00-03865	2	Cap Screw, 3/8-16 x 1.25 <b>NOTE 1</b>
6	2-00-04534	1	Cap Screw, 3/8-16 x 2.0 <b>NOTE 1</b>
7	56002667	2	Screw, Hex 5/16-18 x 3/4
8	56001939	2	Washer, Flat SAE 5/16
9	56002701	2	Nut, Hex Nyl Loc 5/16-18
10	7-33-02711	2	Hose, Air Intake
11	56305240	1	Tube Weldment
12	7-33-02714	1	Hose, Air Intake
13	2-00-03778	1	Plug, 1/8 NPT
14	2-00-02216	5	Clamp, Hose
15	2-00-03407	1	Clamp, Hose
16	56478461	1	Filter Service Indicator

**NOTE 1:** Included with engine

See "Spare Parts" and "Engine Service Parts" pages for additional engine replacement parts.



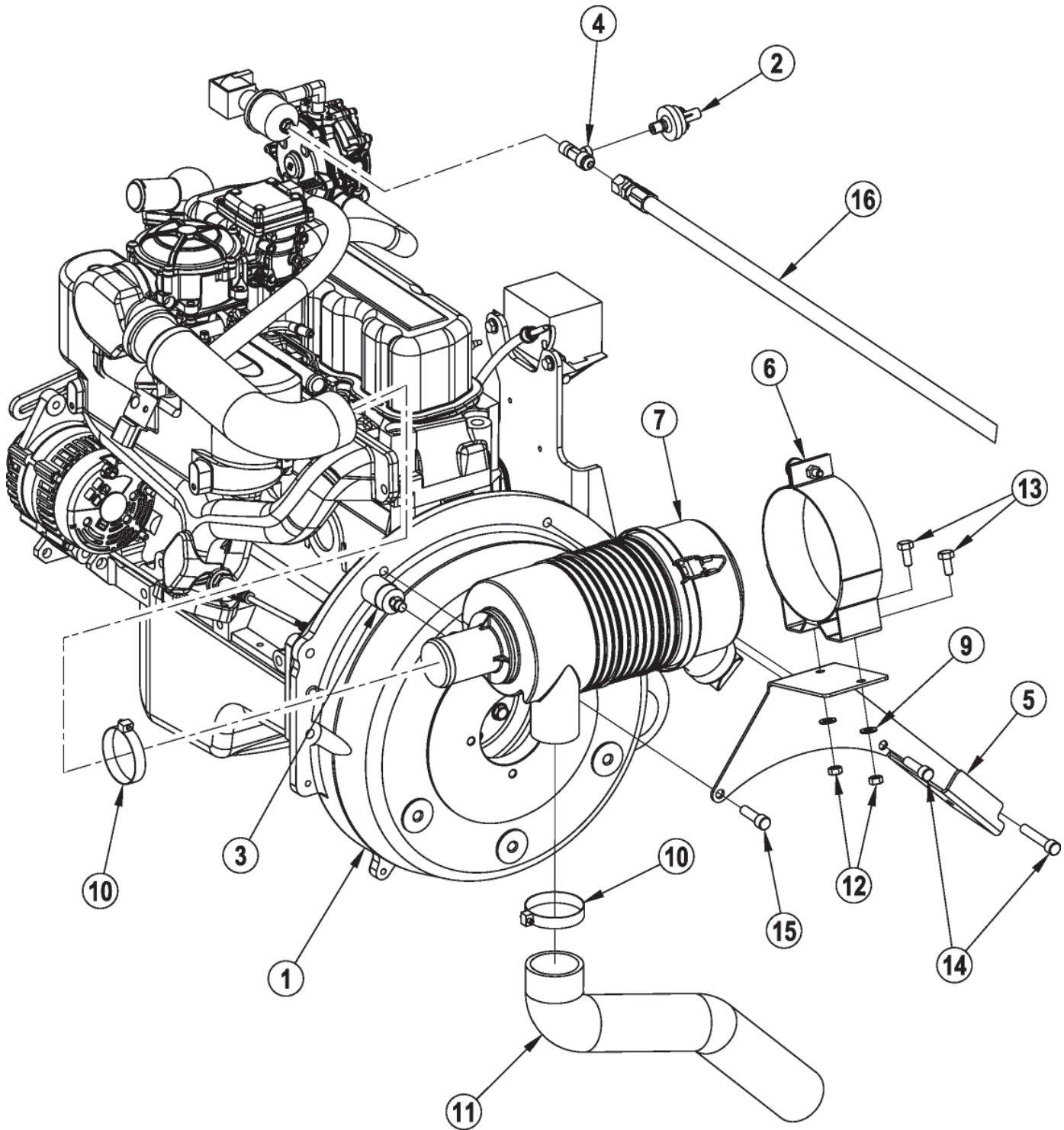


5/2009	<b>GM 3.0 LITER - LP ENGINE (AIR FILTRATION SYSTEM) IMPCO</b>		
5/2010	<b>7765</b>		<b>109</b>

<u>Item</u>	<u>Ref. No.</u>	<u>Qty</u>	<u>Description</u>
1	0777-068	1	Engine, GM 3.0 LP (IMPCO)
2	7-08-01324	1	Bracket, Air Cleaner
3	7-13-07242	1	Clamp, Air Cleaner
4	7-24-04083	1	Filter Assy., Air Cleaner
5	2-00-03865	2	Cap Screw, 3/8-16 x 1.25 <b>NOTE 1</b>
6	2-00-04534	1	Cap Screw, 3/8-16 x 2.0 <b>NOTE 1</b>
7	2-00-00208	2	Screw, 5/16-18 x 3/4 HHC
8	2-00-00409	2	Flat Washer, .687 x .344 x .062
9	2-00-00644	2	Nut, 5/16-18 Fiber Insert Hex
10	7-33-02711	1	Hose, Air Intake
11	56305240	1	Tube Weldment
12	7-33-02712	1	Hose, Air Intake
13	7-33-02714	1	Hose, Air Intake
14	2-00-03778	1	Plug, 1/8 NPT
15	2-00-02216	5	Clamp, Hose
16	2-00-03407	1	Clamp, Hose
17	56900921	1	Fitting, 1/4 NPT x 1/8 NPT x 3/8 JIC Tee
18	56418381	1	Switch, Low Pressure
19	7-33-02721	1	Hose, LP High Pressure (64")
20	56478461	1	Filter Service Indicator
21	2-00-05678	1	Fitting, 1/4" NPT Street Elbow, 90, Brass

**NOTE 1:** Included with engine

See "Spare Parts" and "Engine Service Parts" pages for additional engine replacement parts.



5/2009	<b>GM 3.0 LITER - LP ENGINE (AIR FILTRATION SYSTEM) PSI</b>			
9/2017	<b>7765</b>			<b>111</b>

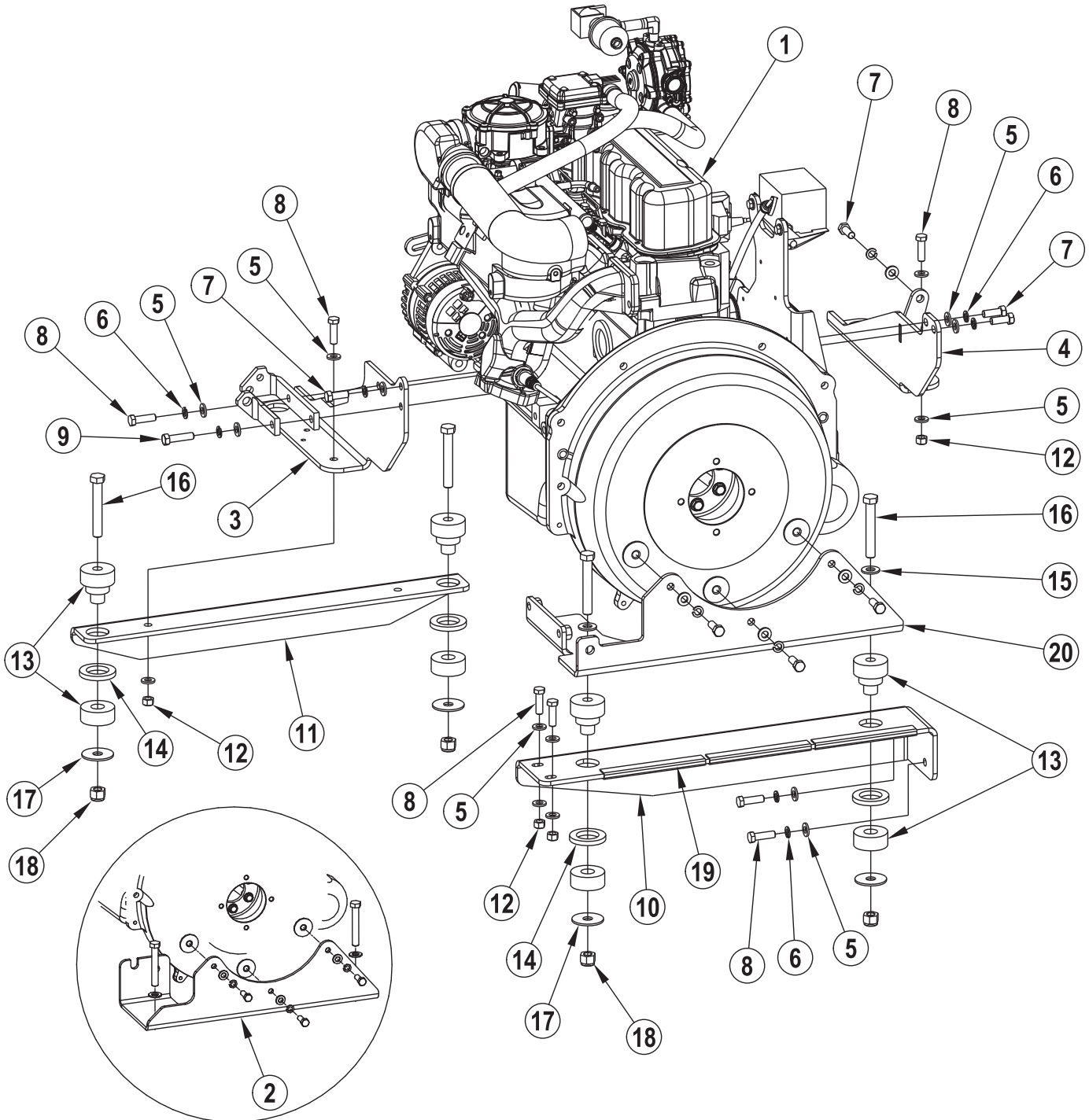
<b>Item</b>	<b>Ref. No.</b>	<b>Qty</b>	<b>Description</b>
1	56380126	1	Engine-PSI, GM 3.0L LP <b>(PSI) NOTE 2</b>
	56385139	1	Engine-PSI, NPI 3.0L LP <b>(PSI) NOTE 3</b>
2	56418381	1	Switch, Low Pressure
3	56478461	1	Filter Service Indicator
4	56900921	1	Fitting, 1/4 NPT x 1/8 NPT x 3/8 JIC Tee
5	7-08-01324	1	Bracket, Air Cleaner
6	7-13-07242	1	Clamp, Air Cleaner
7	7-24-04083	1	Filter Assy., Air Cleaner
9	2-00-00409	2	Flat Washer, .687 x .344 x .062
10	2-00-02216	5	Clamp, Hose
11	7-33-02714	1	Hose, Air Intake
12	2-00-00644	2	Nut, 5/16-18 Fiber Insert Hex
13	2-00-00208	2	Screw, 5/16-18 x 3/4 HHC
14	2-00-03865	2	Cap Screw, 3/8-16 x 1.25 <b>NOTE 1</b>
15	2-00-04534	1	Cap Screw, 3/8-16 x 2.0 <b>NOTE 1</b>
16	7-33-02721	1	Hose, LP High Pressure (64")

**NOTE 1:** Included with engine

**NOTE 2:** Used on machines up to Serial No. 1000065797.

**NOTE 3:** Used on machines Serial No. 1000065797 and above.

See "Spare Parts" and "Engine Service Parts" pages for additional engine replacement parts.



Before SN1000034942

5/2009

**GM 3.0 LITER - GAS & LP ENGINES (SUPPORTS, BRACKETS)**

11/2018

**7765****113**

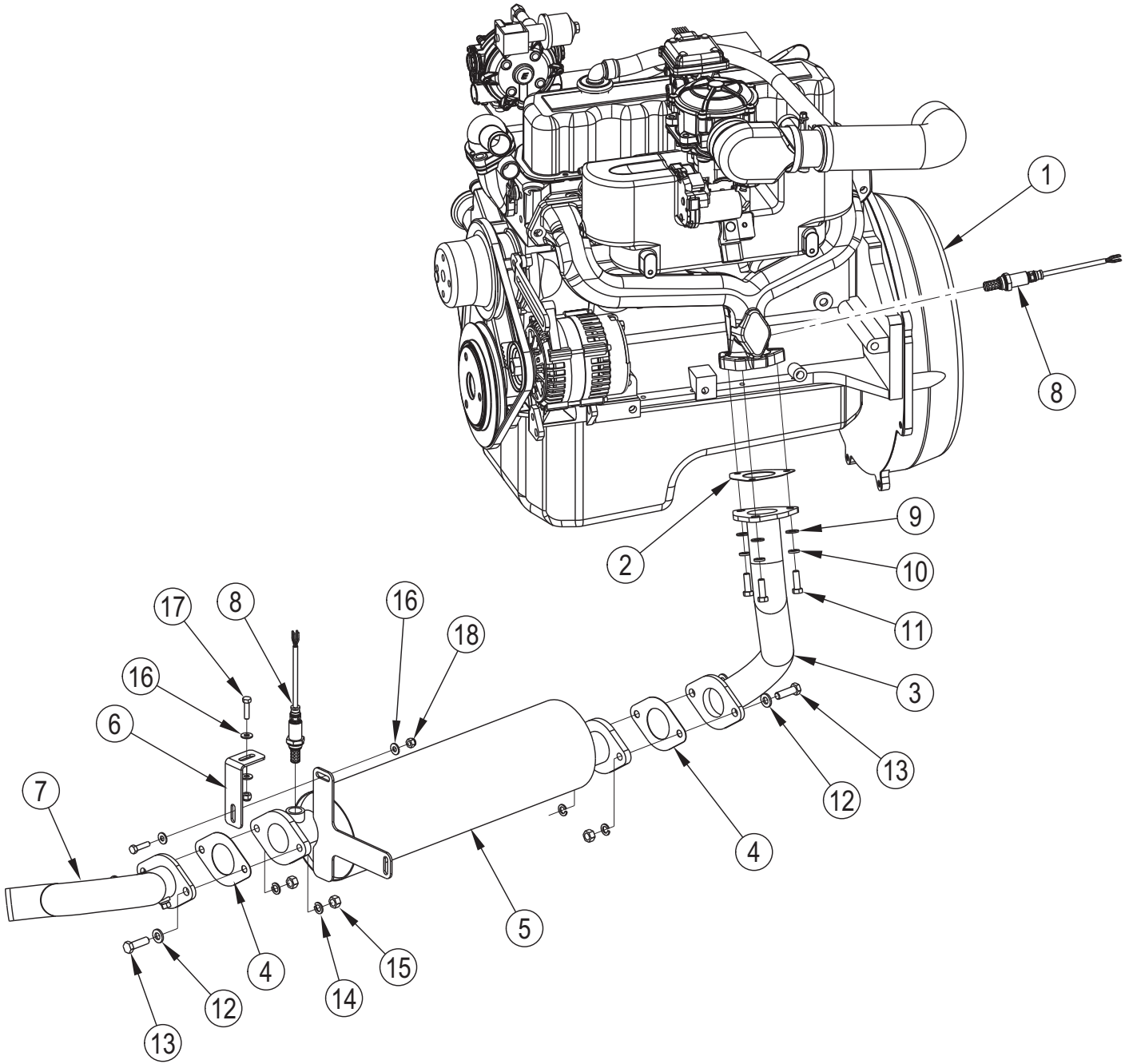
<u>Item</u>	<u>Ref. No.</u>	<u>Qty</u>	<u>Description</u>
1	0777-068	1	Engine, GM 3.0 LP ( <b>IMPCO</b> )
	0777-069	1	Engine, GM 3.0 GAS ( <b>IMPCO</b> )
1	56380126	1	Engine-PSI, GM 3.0L LP ( <b>PSI</b> ) <b>NOTE 3</b>
	56385139	1	Engine-PSI, NPI 3.0L LP ( <b>PSI</b> ) <b>NOTE 4</b>
	56380127	1	Engine-PSI, GM 3.0L GAS ( <b>PSI</b> )
2	7-08-01325	1	Bracket, Engine Mount <b>NOTE 1</b>
3	7-08-01326	1	Bracket, Engine Mount
4	7-08-01327	1	Bracket, Engine Mount
5	2-00-00402	19	Washer, 25/64 ID x 3/4 OD
6	2-00-02310	11	Lock Washer, 3/8 Helical Spring
7	56002663	7	Screw, Hex 3/8-16 x 1.00
8	56001858	7	Screw, Hex 3/8-16 x 1.25
9	56002747	1	Screw, Hex Thd to Hd 3/8-16 x 1.50
10	7-81-00289	1	Support, Engine
11	7-81-00290	1	Support, Engine
12	56002769	4	Nut, Hex Nyl 3/8-16
13	7-35-00017	4	Isolator, Engine Mount (Red Dot)
14	2-00-05955	4	Washer
15	56001879	2	Flat Washer, SAE 1/2
16	56002116	4	Screw, Hex 1/2-13 x 3.25
17	2-00-05067	4	Spacer, Snubbing Washer
18	56002770	4	Nut, Hex Nyl Loc 1/2-13
19	7-21-04031	3	Edging, Brush Drive Support
20	56514945	1	Bracket, Engine Mount <b>NOTE 2</b>

**NOTE 1:** Used on machines up to Serial No. 1000034942.

**NOTE 2:** Used on machines Serial No. 1000034942 and above.

**NOTE 3:** Used on machines up to Serial No. 1000065797.

**NOTE 4:** Used on machines Serial No. 1000065797 and above.



5/2009	<b>GM 3.0 LITER - GAS &amp; LP ENGINES [EXHAUST SYSTEM]</b>		
11/2018	<b>7765</b>		<b>115</b>

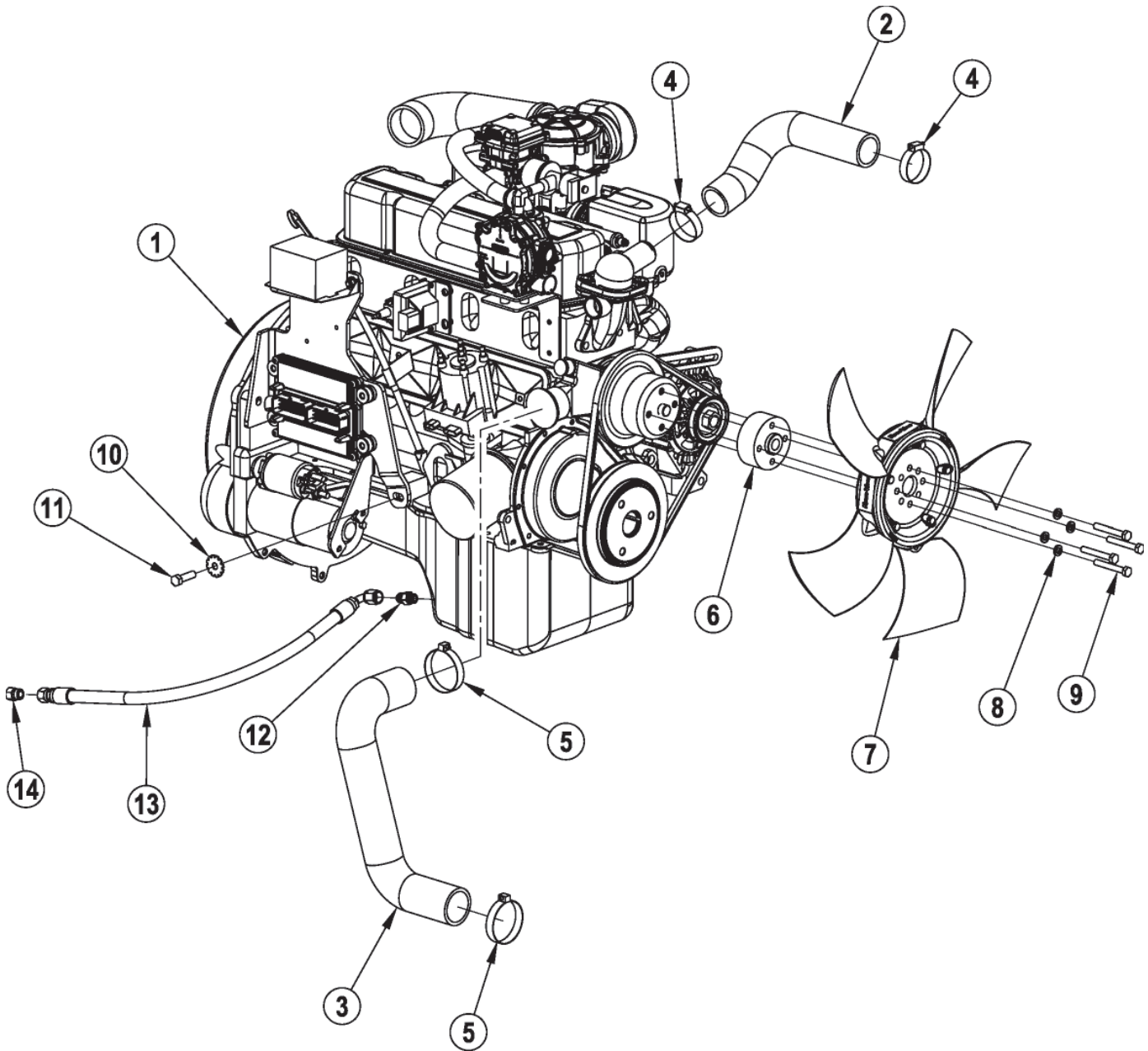
<b>Item</b>	<b>Ref. No.</b>	<b>Qty</b>	<b>Description</b>
1	0777-068	1	Engine, GM 3.0 LP ( <b>IMPCO</b> )
	0777-069	1	Engine, GM 3.0 GAS ( <b>IMPCO</b> )
	56380126	1	Engine-PSI, GM 3.0L LP ( <b>PSI</b> ) <b>NOTE 2</b>
	56385139	1	Engine-PSI, NPI 3.0L LP ( <b>PSI</b> ) <b>NOTE 3</b>
	56380127	1	Engine-PSI, GM 3.0L GAS ( <b>PSI</b> )
2	7-29-00344	1	Gasket, Exhaust Flange <b>NOTE 1</b>
3	7-56-04081	1	Exhaust Downpipe
4	7-29-00345	2	Gasket, Exhaust Flange <b>NOTE 1</b>
5	7-49-00045	1	Muffler, Catalyst ( <b>Gas &amp; LPG</b> ) ( <b>IMPCO engines only</b> ) <b>NOTE 1</b>
	56109496	1	Converter-Catalytic ( <b>Gas &amp; LPG</b> ) ( <b>PSI engines only</b> ) <b>NOTE 1 (TSBUS2011-0028)</b>
6	7-31-07036	1	Hanger, Muffler
7	7-56-04082	1	Exhaust Tailpipe
8	7-11-04081	2	O2 Sensor, GM 3.0 <b>NOTE 1</b>
9	56001939	3	Flat Washer, .SAE 5/16
10	2-00-00530	3	Lock Washer, 5/16
11	56004054	3	Screw, Hex M8-1.25 x 35-Din 931-Blk
12	2-00-00402	4	Washer, 25/64 ID x 3/4 OD
13	56001858	4	Bolt, 3/8-16 x 1.25 Hex Head
14	2-00-02310	4	Lock Washer, 3/8 Helical Spring
15	2-00-02360	4	Nut, 3/8-16 Hex
16	56002098	4	Washer, .Flat SAE 1/4
17	56002093	2	Scr-Hex 1/4-20 X 1.00
18	56002708	2	Nut, 1/4-20 Fiber Insert

**NOTE 1:** Shipped with the engine.

**NOTE 2:** Used on machines up to Serial No. 1000065797.

**NOTE 3:** Used on machines Serial No. 1000065797 and above.

See "Spare Parts" and "Engine Service Parts" pages for additional engine replacement parts.

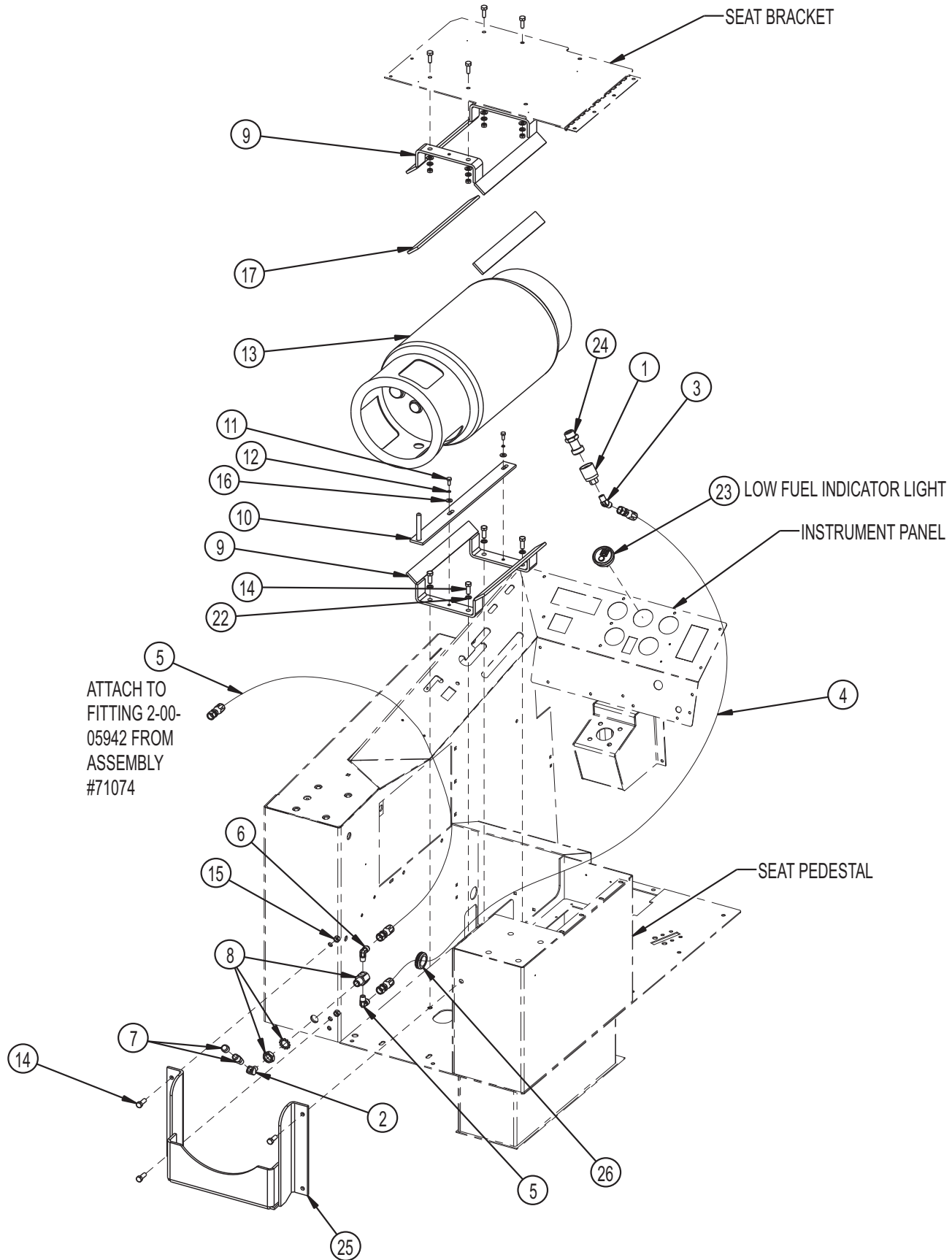




5/2009	<b>GM 3.0 LITER - GAS &amp; LP ENGINES (FAN, RADIATOR HOSES)</b>		
2/2020	<b>7765</b>		<b>117</b>

<u>Item</u>	<u>Ref. No.</u>	<u>Qty</u>	<u>Description</u>
1	0777-068	1	Engine, GM 3.0 LP ( <b>IMPCO</b> )
	0777-069	1	Engine, GM 3.0 GAS ( <b>IMPCO</b> )
1	56380126	1	Engine-PSI, GM 3.0L LP ( <b>PSI</b> ) <b>NOTE 1</b>
	56385139	1	Engine-PSI, NPI 3.0L LP ( <b>PSI</b> ) <b>NOTE 2</b>
	56380127	1	Engine-PSI, GM 3.0L GAS ( <b>PSI</b> )
2	7-33-02706	1	Hose, Upper Radiator
3	7-33-02713	1	Hose, Lower Radiator
4	56329145	2	Clamp Hose Sae 24 E00047
5	2-00-02216	2	Clamp, Hose
6	7-75-01282	1	Spacer, Fan
7	56109130	1	Fan, 18" 5-Blade Sickle
8	2-00-00530	4	Lock Washer, 5/16
9	2-00-06557	4	Screw, 5/16-24 x 2.25 Hex Head
10	2-00-03829	1	Lock Washer, 3/8 Int./Ext. Tooth
11	2-00-04705	1	Bolt, 3/8-16 x 1.25 Fin. Hex Head
12	56109184	1	Connector, O-Ring
13	56305142	1	Hose Assy
14	56462247	1	Plug, Hex 37 Flared

**NOTE 1:** Used on machines up to Serial No. 1000065797.  
**NOTE 2:** Used on machines Serial No. 1000065797 and above.



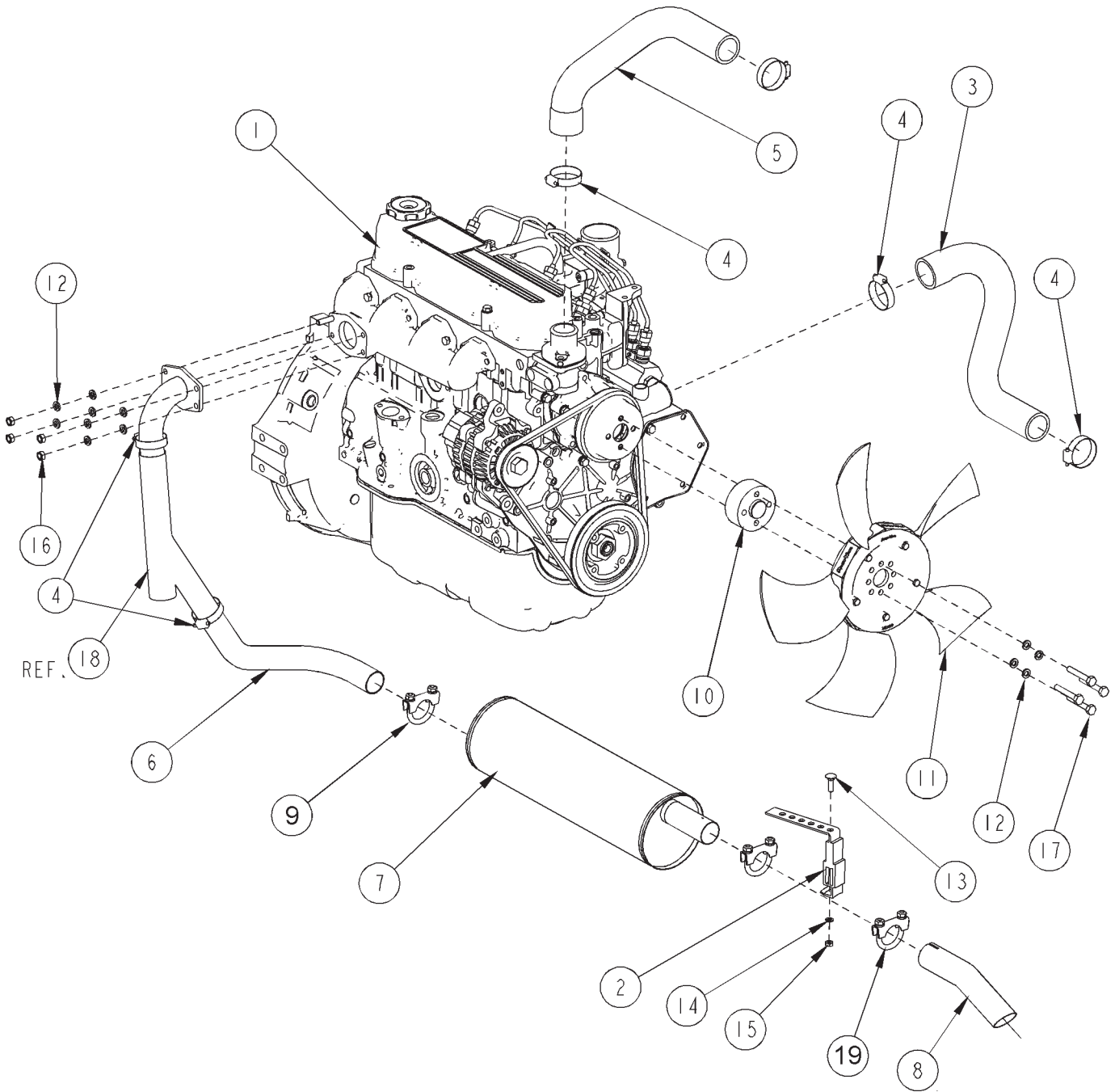
5/2009	<b>FUEL TANK ASSEMBLY - LP</b>		
6/2017	<b>7765</b>		<b>119</b>

<b>Item</b>	<b>Ref. No.</b>	<b>Qty</b>	<b>Description</b>
1	56369675	1	Coupling (Woodward N3-0042-1)
2	8-56-05026	1	Fitting, 1/4 NPT x 1/4 FM 45° (Woodward N2-1106) <b>NOTE 1</b>
3	56456598	1	Elbow, .45 Male 45 Flared
4	7-33-02740	1	Hose, 5/16 ID x 44", #6 UL (Woodward 44" N8-3001)
6	8-56-05023	2	Fitting, 1/4 NPT x 3/8 SAE 90° (Woodward N2-1107) <b>NOTE 1</b>
5	7-33-02721	1	Hose, 5/16 ID x 64", #6 UL (Woodward 64" N8-3001)
7	56456624	1	Vent 1/4 NPT (Woodward N3-0038-1) <b>NOTE 1</b>
8	2-00-06555	1	Fitting, Bulkhead (Woodward N3-0037) <b>NOTE 1</b>
9	56514887	2	Weldt, LP Collar
10	56514842	1	Lock
11	2-00-00220	2	Screw, 1/4-20 x .625 HHC
12	2-00-00518	2	Lock Washer, 1/4 Helical Spring
13	56456590	1	LP Tank
14	56002663	9	3/8-16 x 1.0 LG
15	2-95-04182	5	Nut, 3/8-16 Fiber Insert
16	2-00-03702	2	Washer, .625 x .281 x .063
17	7-50-05143	2	Pad
22	2-00-02310	4	Lock Washer, 3/8 Helical Spring
23	7-11-04035	1	Light, Low LP Indicator
24	REF		Fitting <b>NOTE 2</b>
25	56514839	1	Guard, LP Tank
26	2-00-04721	1	Rubber Grommet

See "Spare Parts" and "Engine Service Parts" pages for additional engine replacement parts.

**NOTE 1:** Contained in LP Kit 7-11-04009.

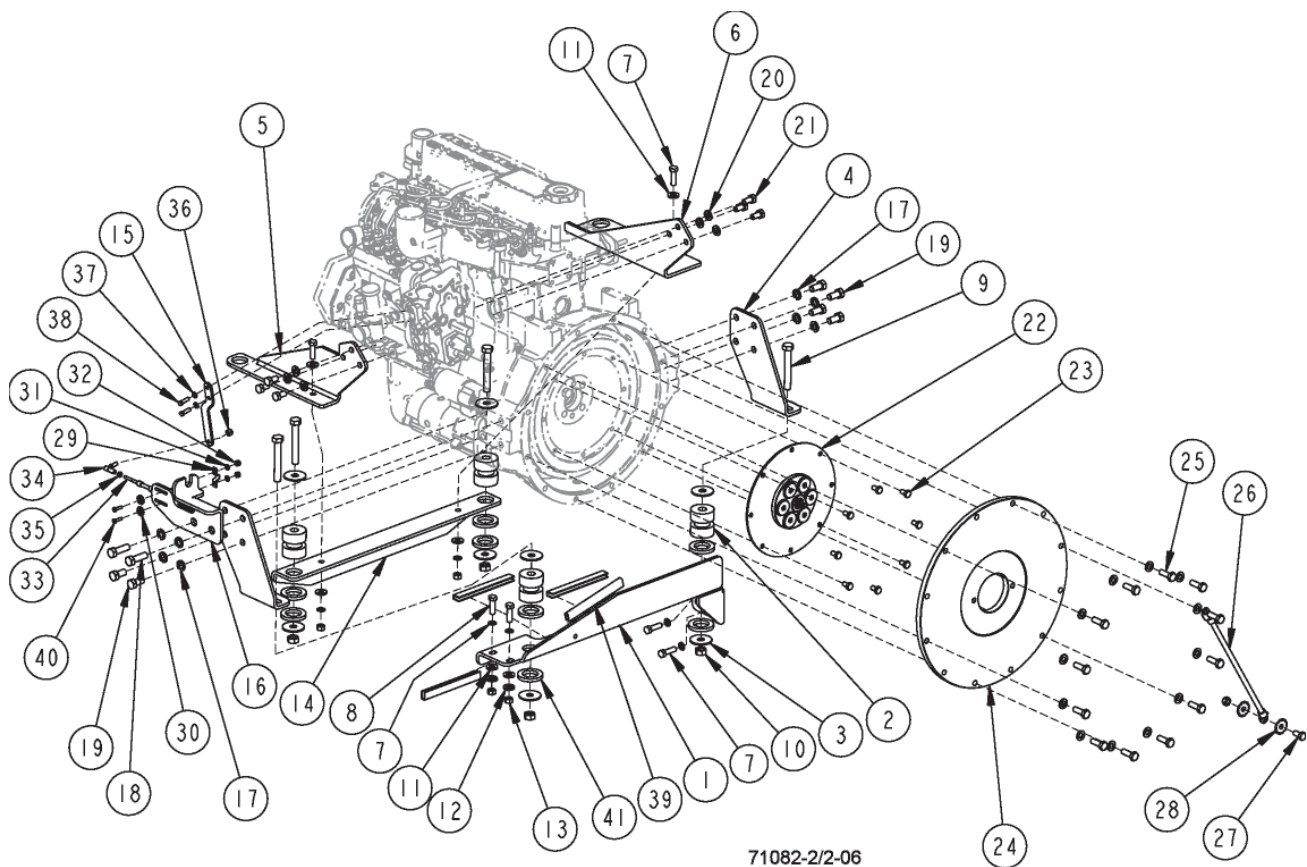
**NOTE 2:** Comes with LP tank.



5/2009	<b>mitsubishi S4Q2 TIER 2 - DIESEL ENGINE (FAN, EXHAUST, HOSES)</b>		
11/2018	<b>7765</b>		<b>121</b>

<b>Item</b>	<b>Ref. No.</b>	<b>Qty</b>	<b>Description</b>
1	0777-052	1	Engine Assy., Mitsubishi S4Q2 Diesel
2	7-31-07017	1	Hanger, Muffler
3	7-33-02709	1	Hose, Lower Radiator
4	2-00-03404	6	Clamp
5	7-33-02708	1	Hose, Upper Radiator
6	7-87-02239	1	Tube, Exhaust Downpipe
7	7-49-00031	1	Muffler
8	7-56-04055	1	Tailpipe
9	2-00-04040	2	Clamp, 1/4" Muffler
10	7-75-01248	1	Spacer, S4Q2 Engine Fan
11	56109130	1	Fan, 18" 5-Blade Sickle
12	2-00-00530	12	Lock Washer, 5/16
13	2-00-00196	1	Carriage Bolt, .31-18 x 1.0
14	2-00-00518	1	Lock Washer, 1/4" Helical Spring
15	2-00-00594	1	Nut, 1/4-20 Hex
16	56003352	4	Nut, Hex M8-1.25
17	2-00-05981	4	Screw, M8 x 1.25 x 55mm HHC
18	7-34-09016	1	Sleeve, Insulating
19	7-13-07075	1	Clamp Muffler 1 5/8

See "Spare Parts" and "Engine Service Parts" pages for additional engine replacement parts.



5/2009

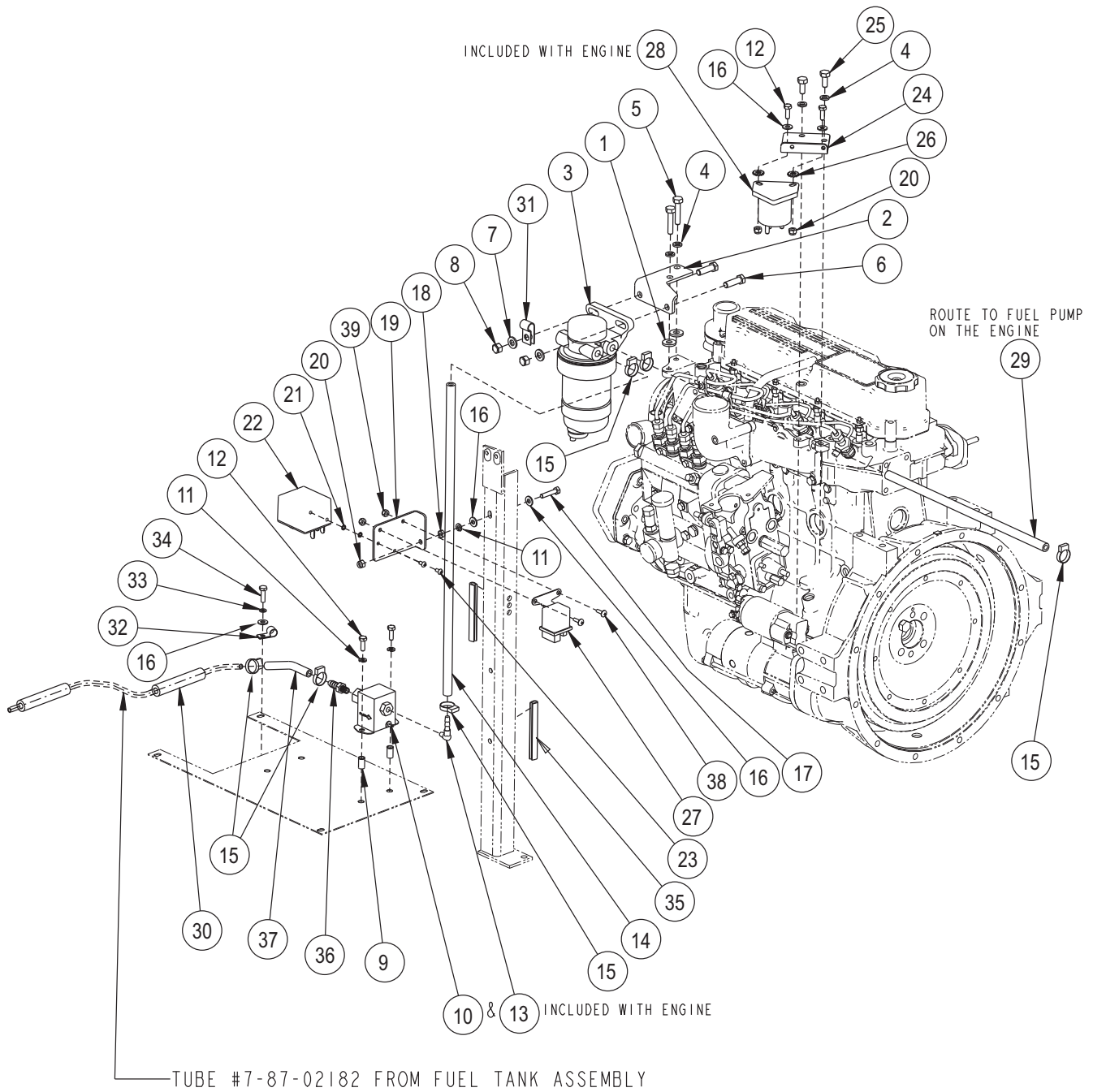
**mitsubishi S4Q2 TIER 2 - DIESEL ENGINE (SUPPORTS, THROTTLE)**

11/2018

**7765**
**123**

<u>Item</u>	<u>Ref. No.</u>	<u>Qty</u>	<u>Description</u>
1	7-81-00273	1	Support, Engine
2	7-35-00017	4	Isolator, Engine Mount (Red Dot)
3	2-00-05067	8	Spacer, Snubbing Washer
4	7-08-01341	2	Bracket, Engine Rear
5	7-08-01339	1	Bracket, Engine Mount
6	7-08-01340	1	Bracket, Engine Mount
7	2-00-02310	6	Lock Washer, 3/8 Helical Spring
8	2-00-04705	6	Bolt, 3/8-16 x 1.25 LG Fin. Hex Head
9	2-00-02698	4	Screw, 1/2-20 x 3.50 LG HHC
10	2-00-00640	4	Nut, 1/2-20 Fiber Insert
11	2-00-04801	6	Flat Washer, 1.00 x .39 x .06
12	2-00-02312	2	Lock Washer, 1/2"
13	2-00-02360	5	Nut, 3/8-16 Hex
14	7-81-00290	1	Support, Engine
15	8-03-04321	1	Arm, Throttle
16	7-08-01209	1	Bracket, Forward/Reverse Cable
17	2-00-05043	8	Washer, 25/64 ID x 3/4 OD Plain
18	2-00-05370	2	Screw, M12 x 1.75 x 40mm HHC
19	56009119	6	Screw, Hex-Thd/Hd M12-1.75-10
20	2-00-05042	18	Lock Washer, M10 Helical Spring
21	2-00-05958	6	Screw, M10 x 1.25 x 20mm HHC
22	7-16-05045	1	Coupling, Engine
23	2-00-05963	8	Screw, M8 x 1.25 x 15mm 8.8 Blox
24	7-33-05144	1	Casting, Pump Plate
25	2-00-05961	12	Screw, M10 x 1.25 x 30mm HHC
26	8-90-07328	1	Wire, Ground to Frame
27	2-00-00232	1	Bolt, 3/8-16 Fin. Hex Head
28	2-00-03829	2	Lock Washer, 3/8 Int./Ext. Tooth
29	8-13-07094	1	Clamp, Conduit
30	2-00-00498	2	Lock Washer, #10 Ext.
31	2-00-00426	2	Flat Washer, .500 x .219 x .063
32	2-00-01246	2	Nut, #10-24 Elastic Stop
33	7-10-00024	1	Cable, Throttle (80")
34	8-25-02036	1	Connector, Ball Joint
35	2-00-00626	1	Nut, 10-32
36	2-00-00633	1	Nut, 1/4-28 Fiber Insert
37	2-00-00518	2	Lock Washer, 1/4" Helical Spring
38	2-00-05279	2	Screw, M6 x1.0 x 20mm HHC
39	7-21-04031	4	Edging, Brush Drive Support
40	2-00-04795	2	Screw, 8-32 BHC
41	2-00-05955	8	Washer

See "Spare Parts" and "Engine Service Parts" pages for additional engine replacement parts.





5/2009

**MITSUBISHI S4Q2 TIER 2 - DIESEL ENGINE [FUEL SYSTEM]**

11/2018

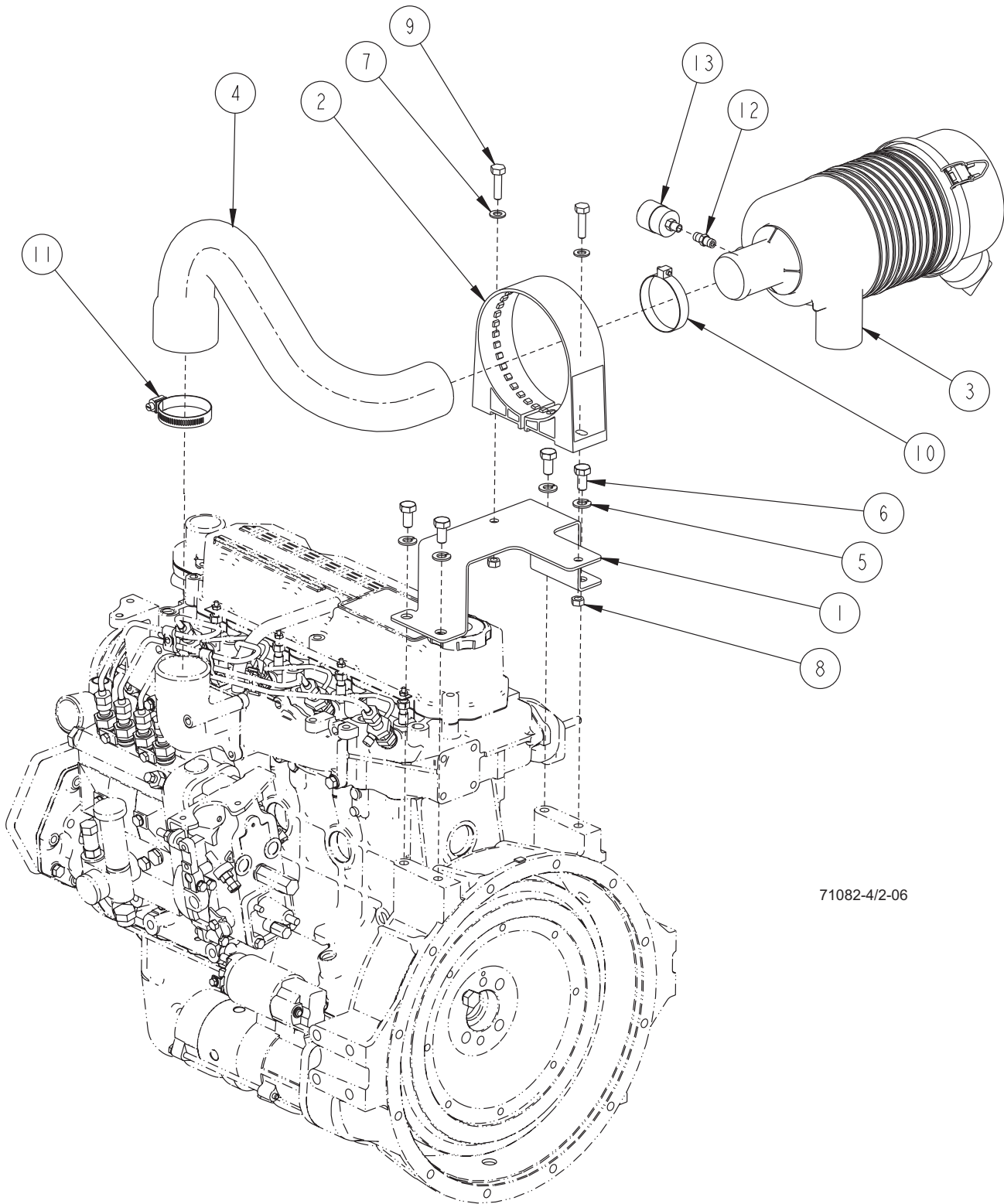
**7765**
**125**

Item	Ref. No.	Qty	Description
1	2-00-04801	2	Flat Washer, 1.00 x .39 x .06
2	8-08-00940	1	Bracket, Fuel Filter
3	56381949	1	Kit Fuel Filter Asm <b>NOTE 1</b>
4	2-00-00530	4	5/16" Lock Washer
5	2-00-06532	2	Screw, M8 x 1.25 x 40mm
6	56001858	2	Bolt, 3/8-16 x 1.25 Hex Head
7	2-00-00402	2	Washer, 25/64 ID x 3/4 OD
8	2-95-04182	2	Nut, 3/8-16 Hex Stop
9	2-00-05261	2	Insert, 1/4-20 Threaded
*10	8-60-05028	1	Pump, Fuel
11	2-00-00518	3	Lock Washer, 1/4" Helical Spring
12	2-00-00221	4	Bolt, 1/4-20 x .75 Fin. Hex Head
*13	2-00-05973	1	Hose Barb, 1/8 NPT x 5/16 90° Elbow
14	8-33-02145	1	Hose, Fuel (22")
15	722030	6	Clamp, Hose
16	2-00-03702	5	Flat Washer, .625 x .281 x .062
17	2-00-02587	1	Cap Screw, 1/4-20 x 1.25 Hex Head
18	2-00-00594	1	Nut, 1/4-20 Hex
19	8-08-00936	1	Bracket, Murphy
20	56002708	3	Nut, 1/4-20 Fiber Insert
21	2-00-00512	2	Star Washer
22	7-64-00040	1	Relay, Murphy
23	2-00-00052	2	Screw, #10-24 x .38 RHMS
24	8-08-00939	1	Bracket, Murphy
25	2-00-04363	2	Screw, M8 x 1.25 x 20mm
26	2-00-00503	2	Lock Washer, 1/4-20
27	7-64-00041	1	Relay, Glow Plug
*28	8-74-00012	1	Solenoid, Starter
29	8-33-02172	1	Hose, Fuel (15")
30	8-08-07038	2	Bumper, Fuel Line
31	2-00-04873	1	Clamp, Cable
32	56486112	1	Clamp
33	2-00-00501	1	Washer, 1/4 ID x .44 OD x .046
34	2-00-01490	1	Screw, 1/4-20 x .875 Hex Head
35	7-21-04051	2	Edging, Frame
36	2-00-05983	1	Fitting, 1/8 NPT x 5/16 Hose Barb
37	7-33-02641	1	Hose, 5/16 ID x 5" Fuel
38	2-00-03062	2	Screw, #10-24 x 5/8
39	2-00-01246	2	Nut, #10-24 Elastic Stop

\* = Comes with Engine Assembly

See "Spare Parts" and "Engine Service Parts" pages for additional engine replacement parts.

**NOTE 1:** Fuel Filter Assembly 7-24-04078 is no longer available. If you need to replace 7-24-04078 please order Fuel Filter Kit 56381949.

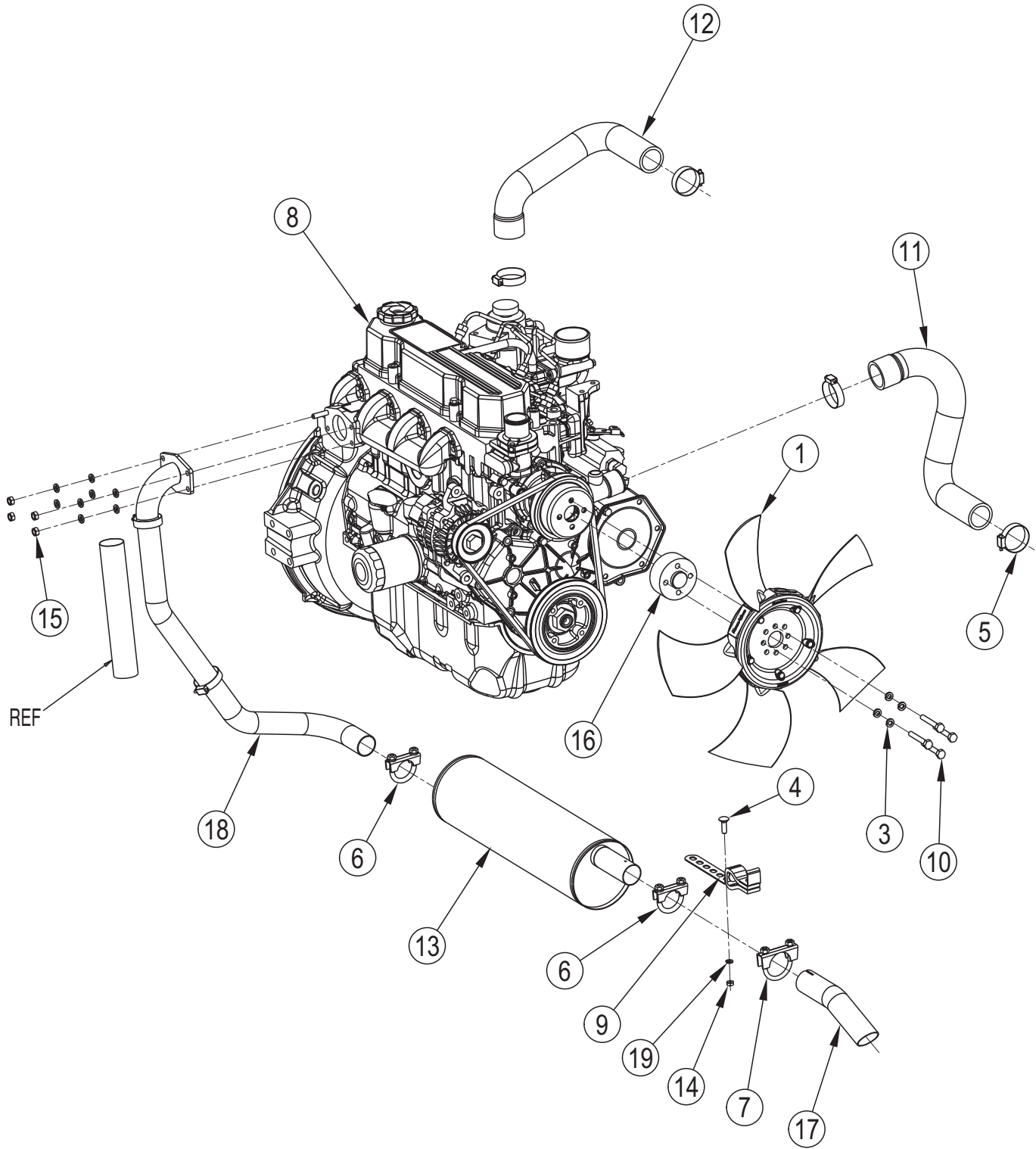


71082-4/2-06

5/2009	<b>MITSUBISHI S4Q2 TIER 2 - DIESEL ENGINE (AIR FILTRATION SYSTEM)</b>		
6/2017	<b>7765</b>		<b>127</b>

<u>Item</u>	<u>Ref. No.</u>	<u>Qty</u>	<u>Description</u>
1	7-08-01206	1	Bracket, Air Cleaner
2	56482621	1	Band, Air Cleaner Assy.
3	7-24-04083	1	Filter Assy., Air Cleaner
4	7-33-02613	1	Hose, Air Intake
5	2-00-05042	4	Lock Washer, M10 Helical Spring
6	2-00-05958	4	Screw, M10 x 1.25 x 20mm HHC
7	2-00-00409	2	Flat Washer, .687 x .344 x .062
8	2-00-00644	2	Nut, 5/16-18 Fiber Insert Hex
9	56001834	2	Screw, 5/16-18 x 1.25 Hex Head
10	2-00-02216	1	Clamp, Hose
11	2-00-02217	1	Clamp, Hose
12	2-00-05004	1	Fitting, 1/8 NPT Nipple
13	56478461	1	Filter Service Indicator

See "Spare Parts" and "Engine Service Parts" pages for additional engine replacement parts.



5/2009

**MITSUBISHI S4Q2 TIER 4 - DIESEL ENGINE [FAN, EXHAUST, HOSES]**

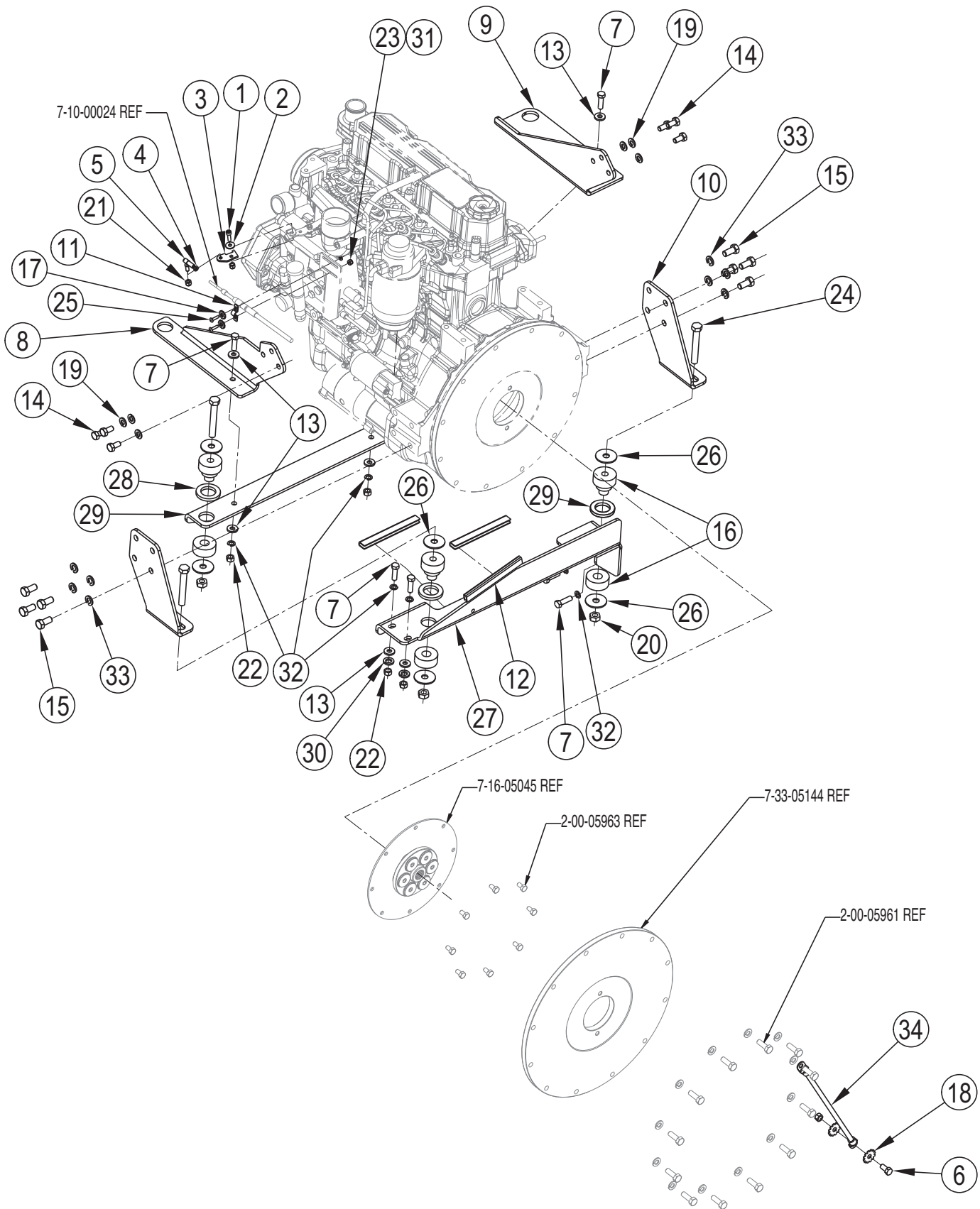
2/2012

**7765**
**129**

Item	Ref. No.	Qty	Description
1	56109130	1	Fan, 18" 5-Blade Sickle
[ ]	56501005	3	Anti-Freeze, 50/50
3	2-00-00530	12	5/16" Lock Washer
4	2-00-03569	1	Bolt, Carriage
5	2-00-03404	6	Clamp
6	56343236	2	Clamp, Muffler 1.50
7	56456833	1	Clamp, Muffler 1.62
8	56109479	1	Engine Assy, Mitsubishi S4Q2 T4
9	7-31-07017	1	Hanger-Muffler
10	2-00-05981	4	HHC, M8 X 1.25 X 55mm
11	7-33-02709	1	Hose, Radiator Lower
12	7-33-02708	1	Hose, Radiator Upper
13	7-49-00031	1	Muffler
14	2-00-00644	1	Nut, Hex, Insert Fiber, 5/16-18
15	2-00-05964	4	Nut, M8 X 1.25
16	7-75-01248	1	Spacer, Fan Mitsubishi S4Q2
17	7-56-04055	1	Tail Pipe
18	7-87-02239	1	Tube, Exhaust Downpipe
19	2-00-00409	1	Flat Washer, .687 x .344 x .062

[ ] = Not Shown

**NOTE 1:** Tier 4 Diesel was implemented as of serial number 1000033463.



5/2009

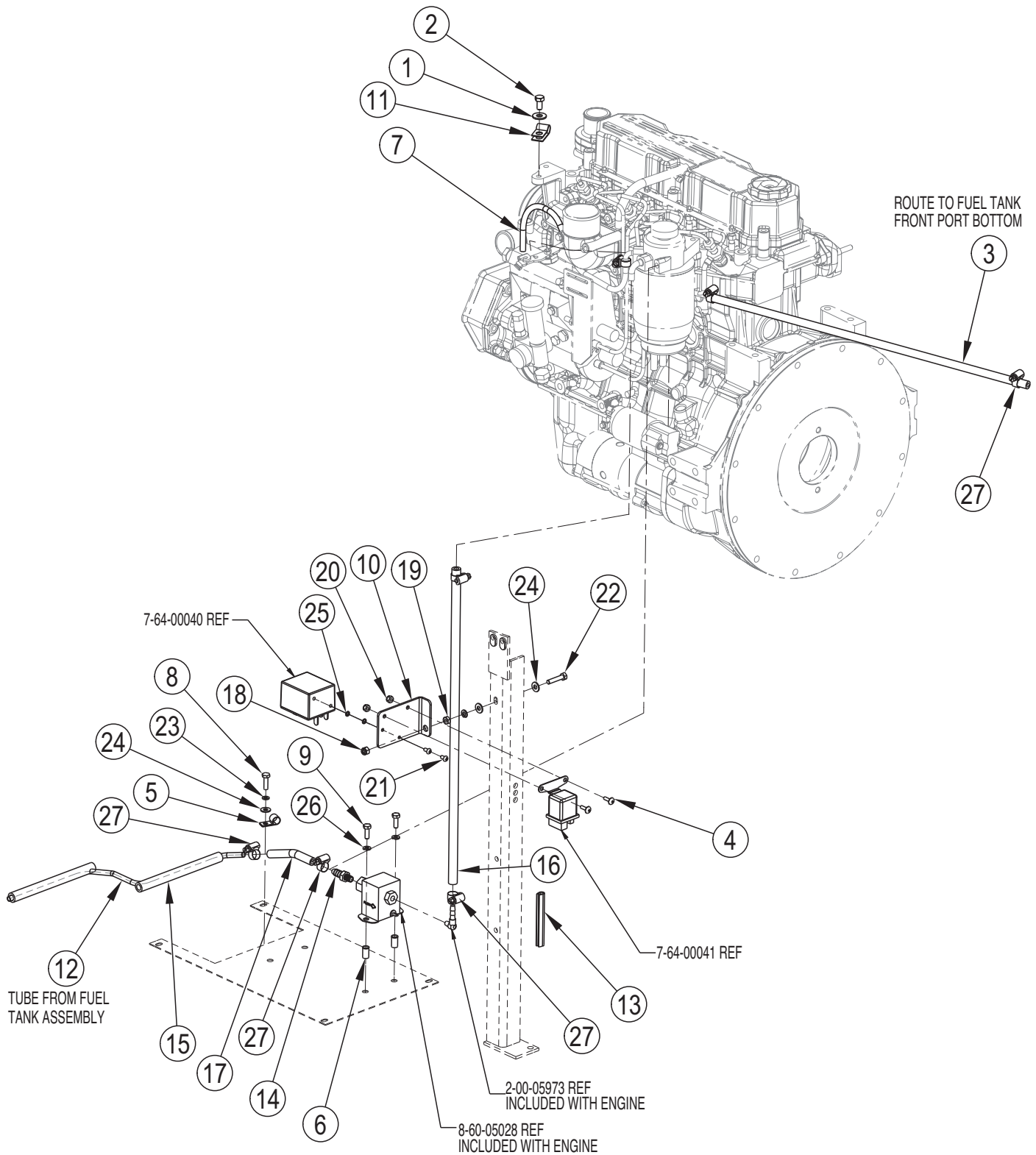
**MITSUBISHI S4Q2 TIER 4 - DIESEL ENGINE [SUPPORTS, THROTTLE]**

6/2012

**7765**
**131**

Item	Ref. No.	Qty	Description
1	56003368	1	Scr, Soc Hd M6-1.0 X 20.0
2	56003638	1	Wsh, Flt SS 6mm
3	56109471	1	Arm Engine Throttle
4	2-00-00626	1	10-32 Nut
5	8-25-02036	1	Ball Joint Connector
6	2-00-00232	1	Bolt-Hex Head, Finished, 3/8-16
7	2-00-04705	6	Bolt-Hex Head, Finished, 3/8-16 X 1.25 LG
8	7-08-01339	1	Bracket, Engine Mount
9	7-08-01340	1	Bracket, Engine Mount
10	7-08-01341	2	Bracket, S4Q2 Engine, Rear
11	8-13-07094	1	Conduit Clamp
12	7-21-04031	3	Edging-Brush Drive Support
13	2-00-04801	6	Flat Washer, 1.00 X .39 X .06
14	2-00-05958	6	HHC, M10 X 1.25 X 20mm
15	2-00-05957	8	HHC, M12 X 1.75 X 25mm
16	7-35-00017	4	Isolator, Engine Mount (Red Dot)
17	2-00-00498	2	Lock Washer, #10 Ext.
18	2-00-03829	2	Lock Washer, 3/8 Int./Ext. Tooth
19	2-00-05042	18	M10 Helical Spring Lw
20	2-00-00640	4	Nut 1/2-20 Fiber Insert
21	2-00-00633	1	Nut, Fiber Insert 1/4-28
22	2-00-02360	5	Nut, Hex, 3/8-16
23	2-00-01246	2	Nut-#10-24 Elastic Stop Nut
24	2-00-02698	4	Screw, 1/2-20 X 3.50 LG, HHC
25	2-00-04795	2	Screw, 8-32 BHC
26	2-00-05067	8	Spacer, Snubbing Washer
27	7-81-00273	1	Support, Engine
28	7-81-00290	1	Support, Engine
29	2-00-05955	4	Washer
30	2-00-02312	2	Washer, 1/2" Lock
31	2-00-00426	2	Washer-Flat .500 X .219 X .063
32	2-00-02310	6	Washer-Lock, 3/8", Helical Spring
33	2-00-05043	8	Washer-Plain, 25/64 ID X 3/4 OD
34	8-90-07328	1	Wire, Ground To Frame

**NOTE 1:** Tier 4 Diesel was implemented as of serial number 1000033463.





5/2009

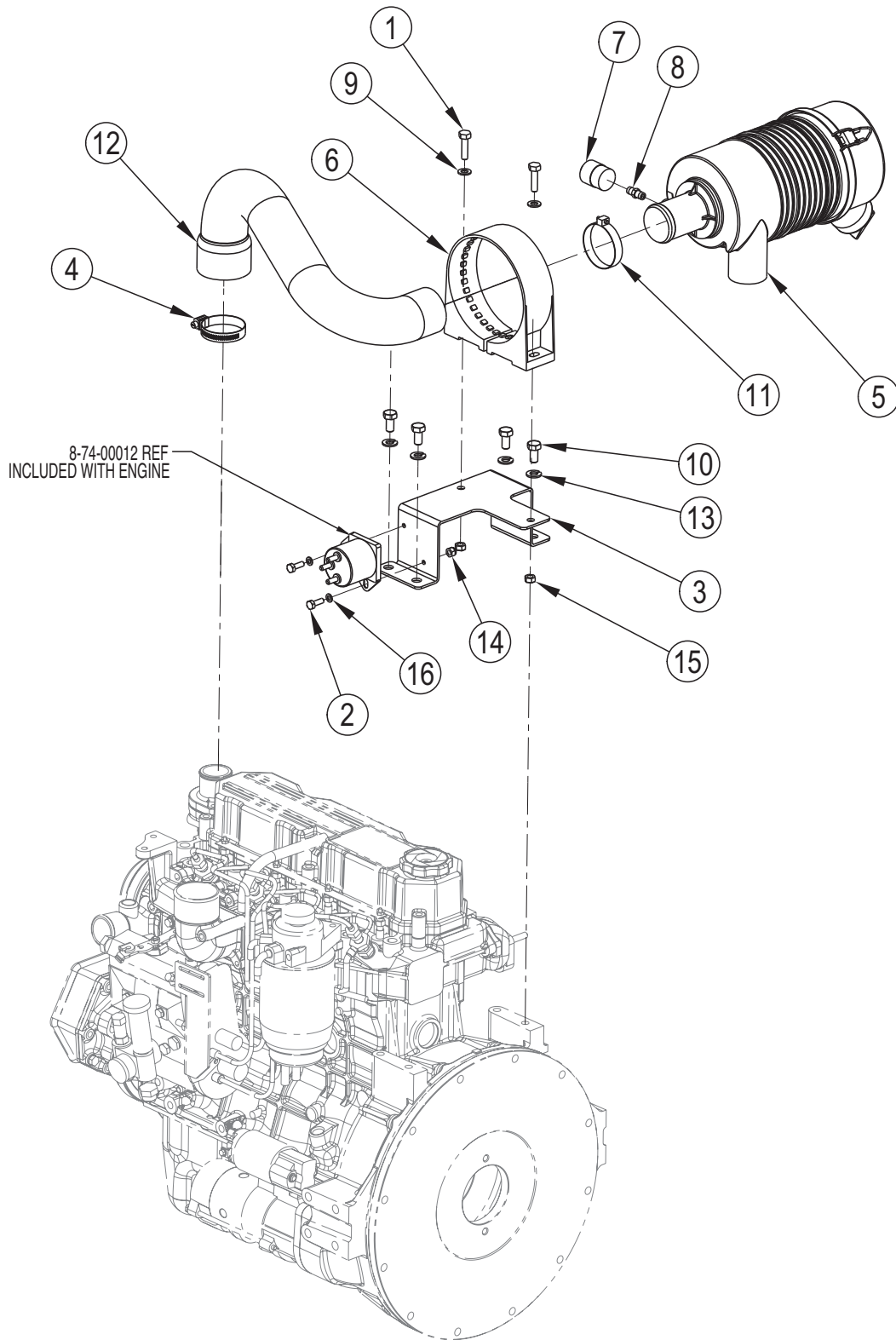
**mitsubishi S4Q2 TIER 4 - DIESEL ENGINE [FUEL SYSTEM]**

11/2018

**7765**
**133**

Item	Ref. No.	Qty	Description
1	56002220	1	Wsh, Fit STD 5/16
2	56003178	1	Scr, Hex M8-1.25 X 16mm
3	56481684	1	Hose, Fuel Line 1/4 ID X 48" LG
4	2-00-03062	2	Screw, #10-24 X 5/8 LG
5	56486112	1	Clamp
6	2-00-05261	2	Nutsert, 1/4-20
7	8-33-02172	1	Hose Fuel 15 LG
8	2-00-01490	1	1/4-20 X 0.875", Hex Head Screw
9	2-00-00221	2	Bolt-Hex Head, Finished, 1/4-20 x 3/4 LG
10	8-08-00936	1	Bracket, Murphy
11	2-00-04873	1	Cable Clamp
12	7-87-02182	1	Tubing-Fuel Line
13	7-21-04047	2	Edging, Hose
14	2-00-05983	1	Fitting, 1/8"NPT X 5/16" Hose Barb
15	8-08-07038	2	Hose
16	8-33-02145	1	Hose - Fuel 22" LG
17	7-33-02641	1	Hose, 5/16" ID Fuel Hose X 5" Long
18	56002708	1	Nut, Fiber Insert 1/4-20
19	2-00-00594	1	Nut, Hex 1/4-20
20	2-00-01246	2	Nut-#10-24 Elastic Stop Nut
21	2-00-00052	2	Screw - #10-24 X .38 Rhms
22	2-00-02587	1	Screw-Cap, Hex Head, .25-20 X 1.250
23	2-00-00501	1	Washer .25 ID X .44 OD X .046
24	2-00-03702	3	Washer, .625 X .281 X .063
25	2-00-00512	2	Washer, Star
26	2-00-00518	3	Washer, Lock, 1/4" Helical Spring
27	56756364	7	Clamp- Hose SAE #4

**NOTE 1:** Tier 4 Diesel was implemented as of serial number 1000033463.



5/2009

MITSUBISHI S4Q2 TIER 4 - DIESEL ENGINE [AIR FILTRATION SYSTEM]

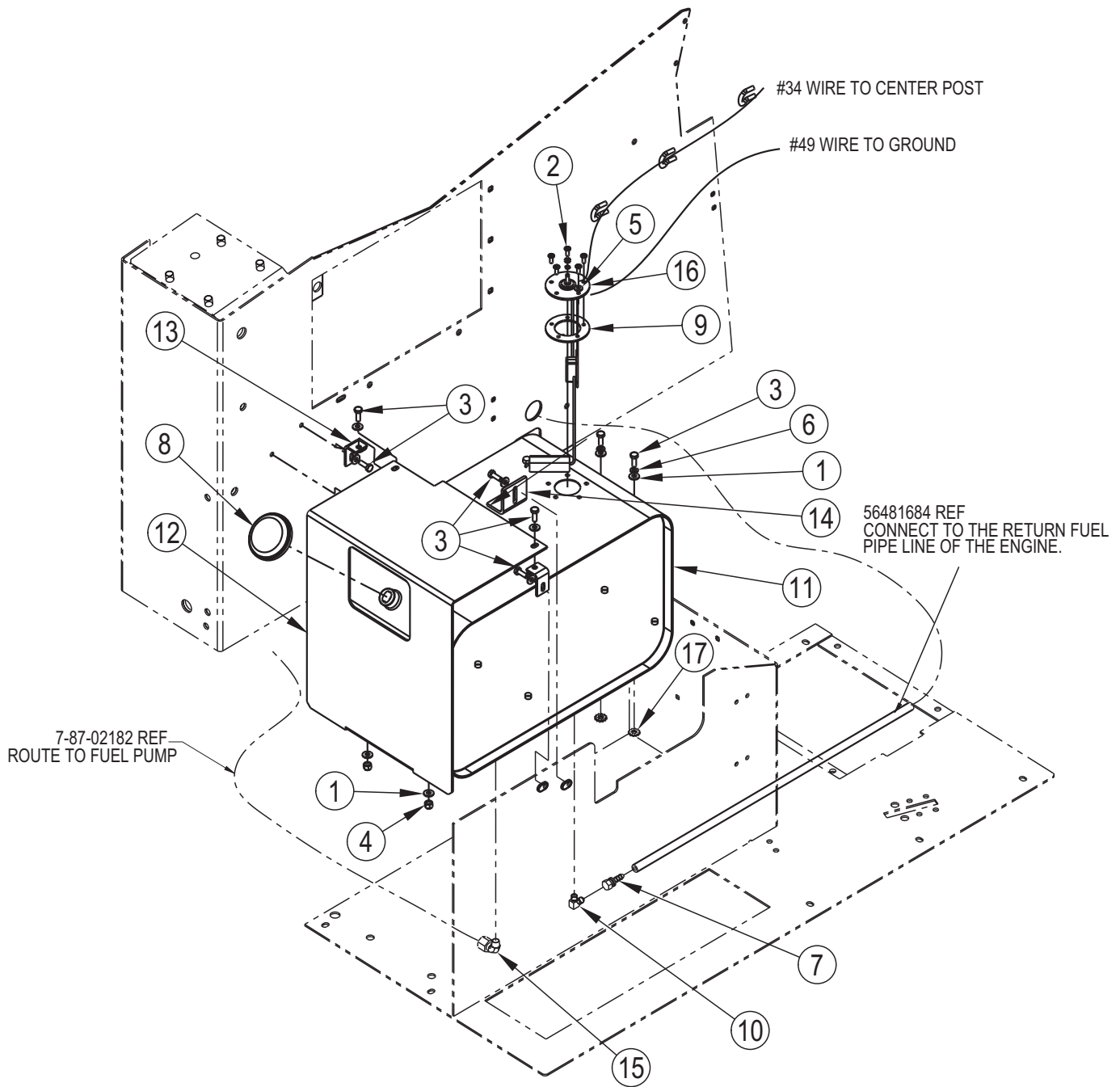
6/2017

7765

135

Item	Ref. No.	Qty	Description
1	56001834	2	Screw, Hex Head 5/16-18 X 1.25"
2	2-00-00221	2	Bolt-Hex Head, Finished, 1/4-20 x 3/4 LG
3	7-08-01206	1	Bracket, S4Q2 Air Filter
4	2-00-02217	1	Clamp, Hose
5	7-24-04083	1	Filter, Air Cleaner Assy
6	56482621	1	Band Assy
7	7-24-04087	1	Filter, Service Indicator 20" WC
8	2-00-05004	1	Fitting, 1/8 NPT Nipple
9	2-00-00409	2	Flat Washer, .687 X .344 X .062
10	2-00-05958	4	HHC, M10 X 1.25 X 20mm
11	2-00-02216	1	Hose Clamp
12	7-33-02613	1	Hose, S4Q2 Air Intake
13	2-00-05042	4	M10 Helical Spring LW
14	56002708	2	Nut, Fiber Insert 1/4-20
15	2-00-00644	2	Nut, Hex, Insert Fiber, 5/16-18
16	2-00-00501	2	Washer .25 ID X .44 OD X .046

**NOTE 1:** Tier 4 Diesel was implemented as of serial number 1000033463.



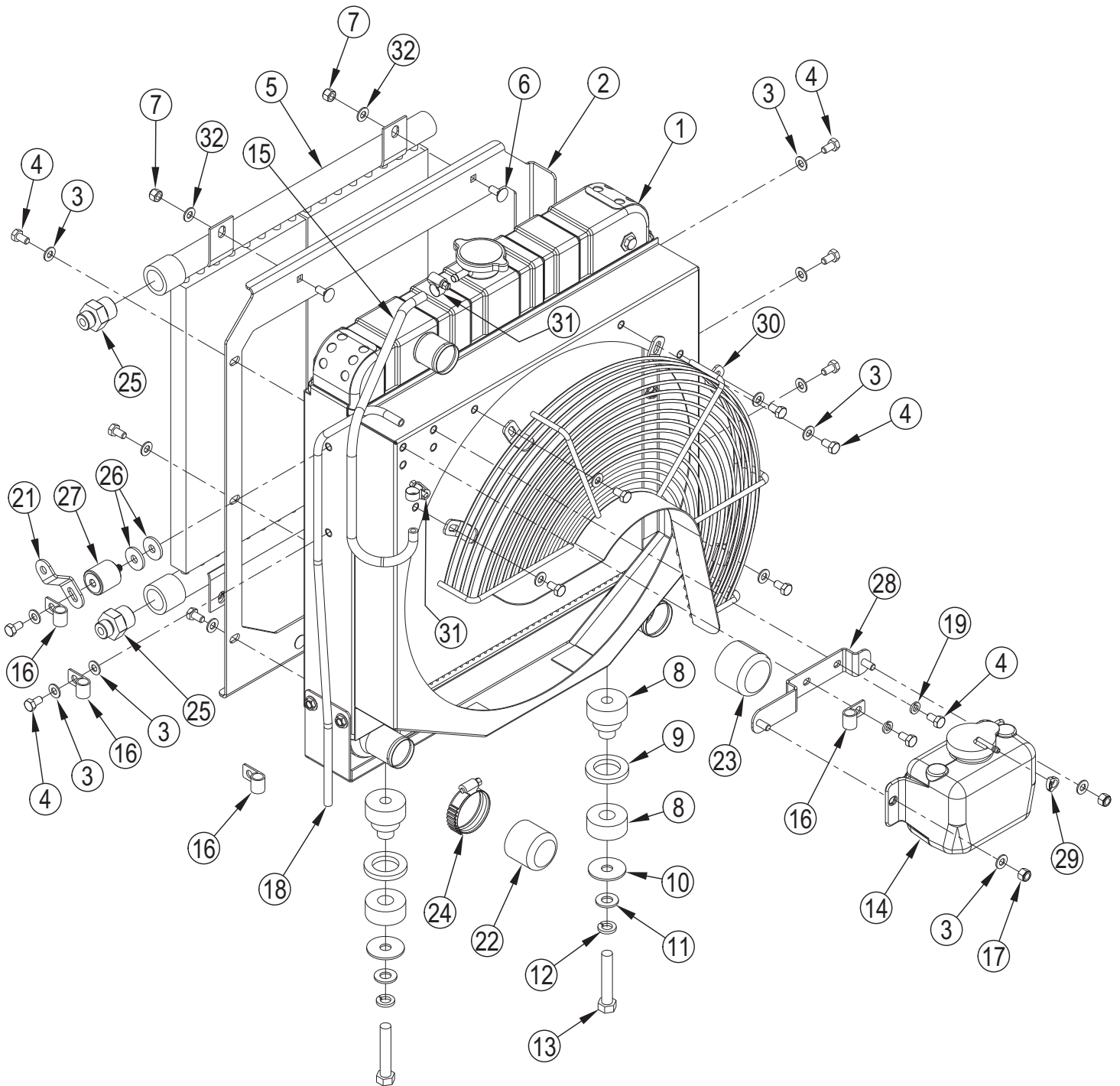
5/2009

**FUEL TANK - DIESEL**

11/2018

**7765****137**

<u>Item</u>	<u>Ref. No.</u>	<u>Qty</u>	<u>Description</u>
1	56002098	10	Wsh, Fit SAE 1/4
2	56002147	5	Scr, Pan Phil 10-32 X .50
3	56002155	8	Scr, Hex 1/4-20 X .75
4	56002708	2	Nut, Hex Nyl Loc 1/4-20
5	56009011	1	Wsh, Int Shprf #10
6	2-00-00518	2	Lk Wsh, 1/4 Med. Section ZN
7	2-00-04618	1	Fitting
8	7-11-00029	1	Cap
9	7-29-00348	1	Gasket, Sending Unit
10	8-56-05021	1	Fitting
11	8-83-04029	1	Fuel Tank
12	56514816	1	Cover, Weldment
13	56514817	2	Bracket, Clamp
14	56514818	2	Bracket, Clamp
15	2-00-04494	1	Fitting 5/16 Tube X 1/8 NPT
16	8-26-04003	1	Float, Fuel Level
17	2-00-00503	2	Washer, Lock 1/4-20



5/2009

**RADIATOR ASSEMBLY**

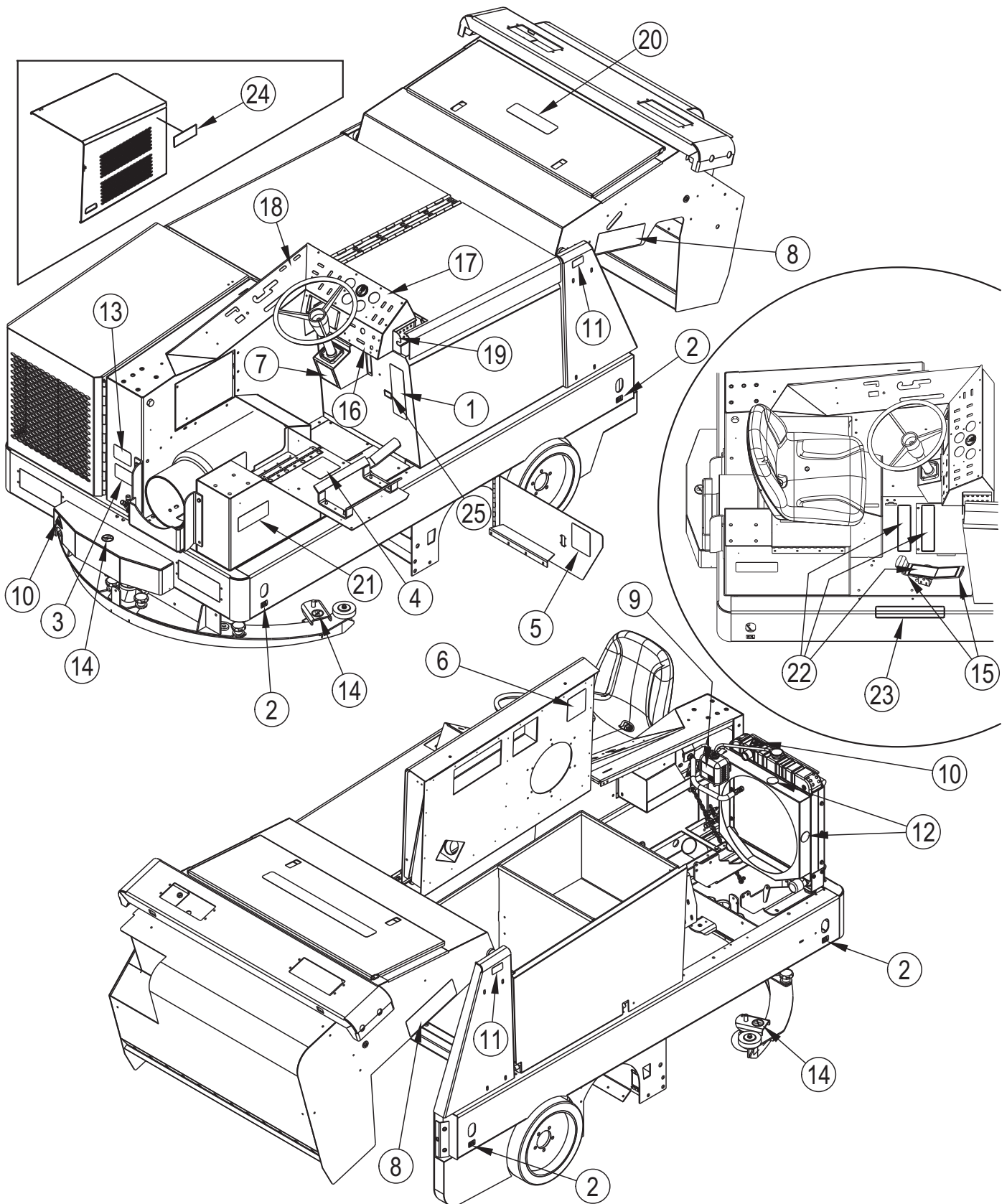
5/2020

**7765****139**

<u>Item</u>	<u>Ref. No.</u>	<u>Qty</u>	<u>Description</u>
1	56394337	1	Radiator
2	7-08-01337	1	Bracket, Oil Cooler
3#	56001939	16	Flat Washer, SAE 5/16
4	2-00-05963	15	Screw, M8 x 1.25 x 15mm HHC
5#	56394470	1	Oil Cooler <b>NOTE 1</b>
6	2-00-03569	4	Carriage Bolt
7	56002701	6	Nut, Hex Nyl Loc 5/16-18
8	7-35-00017	2	Isolator, Engine Mount (Red Dot)
9	2-00-05955	2	Washer
10	2-00-05067	2	Spacer, Snubbing Washer
11	56001879	2	Washer, Flat SAE 1/2
12	2-00-02312	2	Lock Washer, 1/2"
13	2-00-02682	2	Screw, 1/2-13 x 2.75
14	56394241	1	Overflow Bottle
15	7-33-02723	1	Hose, 1/4" ID x 20", Black
16	56385491	4	Clamp-P-.50 Dia G S
17	2-00-05363	1	Clamp, Hose
18	7-33-02724	1	Hose, 1/4" ID x 28", Clear
19	2-00-00530	2	Lock Washer, 5/16
21	56109092	1	Bracket, Radiator Support
22	2-00-05956	1	Plug, Radiator Outlet (Gasoline/LPG)
23	2-00-06571	1	Plug, Radiator Outlet (Diesel)
24	56382616	1	Clamp Constant Tension
25	2-00-04979	2	Fitting, Straight -8 ORS x -12 SAE
26	2-00-03266	2	Fan Washer
27	7-35-00028	1	Isolator, 32 x 32, M8-1.25
28	56394336	1	Bracket-Overflow Bottle
29	56384956	1	Clamp-Hose
30	56394338	1	Guard-Fan-Black
31	56756364	2	Clamp Hose SAE 4 E00047
32#	980205	4	Washer, Flat SAE 5/16

# = Revised or new since last update

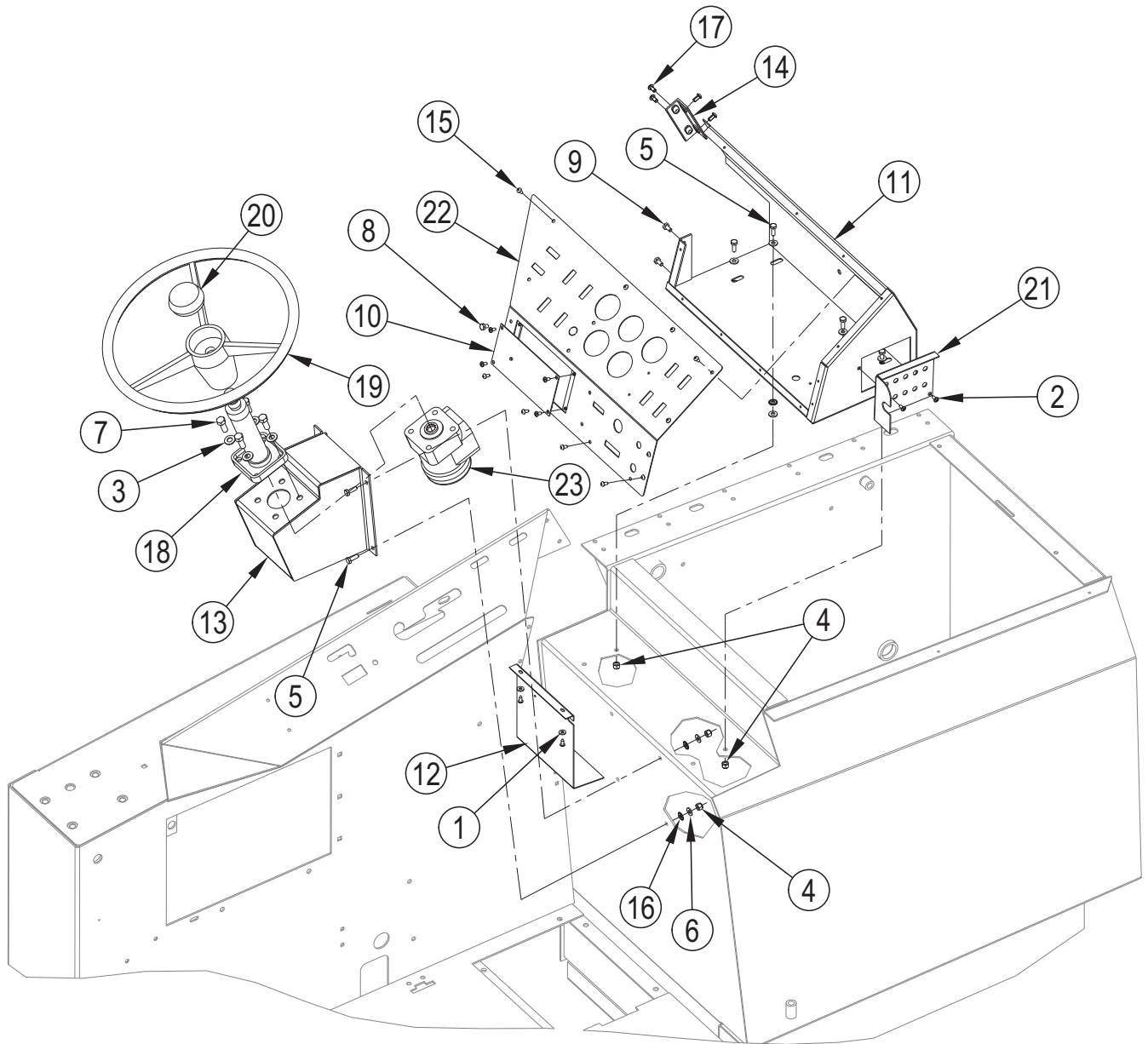
#NOTE 1: Oil Cooler 7-62-01014 is obsolete and replaced by 56394470





5/2009	<b>DECALS</b>			
2/2020	<b>7765</b>			<b>141</b>

<u>Item</u>	<u>Ref. No.</u>	<u>Qty</u>	<u>Description</u>
1	56014601	1	Decal, Caution
2	56015370	4	Decal, Tie Down
3	56015413	1	Decal, LPG ( <b>LPG only</b> )
4	56015424	1	Decal, Warning Hydraulic
5	56015425	2	Decal, Warning Broom
6	56015426	2	Decal, Warning Fan
7	56015427	1	Decal, Warning Tip Over
8	56015428	2	Decal, Warning Hopper
9	56015463	1	Decal, Coolant Level
10	56016363	2	Decal, Warning Hot
11	56025496	2	Decal, Caution
12	56030080	2	Decal, Hands Clear
13	56016226	1	Decal, Unleaded Fuel ( <b>Petrol only</b> )
	56109404	1	Decal, Low Sulfur Diesel ( <b>Diesel only</b> )
14	56016163	3	Decal, No Step
15	8-18-00490	1	Bi-directional Pedal
16	8-18-00517	1	Front Instrument Panel
17	8-18-00516	1	Top Instrument Panel
18	8-18-00521	1	Left Side Control Panel
19	8-18-00500	1	Side Broom-Pull to Raise
20	56511928	1	Decal-Advance
21	56514821	1	Decal, 7765
22	8-50-05022	3	Pad (foot pedal)
23	7-50-05136	1	Pad (edge)
24	56394232	1	Decal, 7765 Left Side
25	56394259	1	Decal, Prop 65



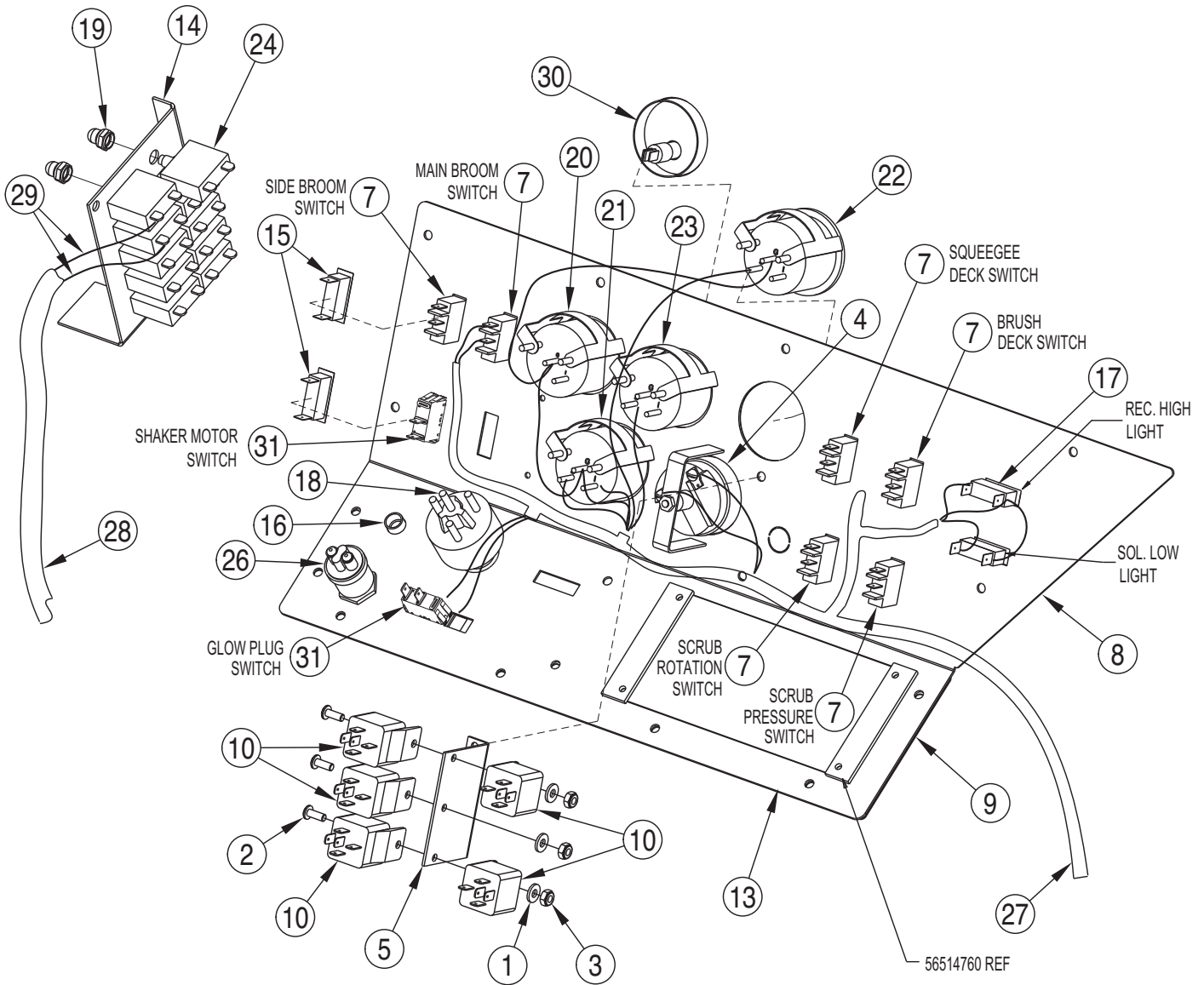
5/2009

**STEERING & INSTRUMENT PANEL**

6/2017

**7765****143**

<b>Item</b>	<b>Ref. No.</b>	<b>Qty</b>	<b>Description</b>
1	56001954	2	Wsh, Flt SAE #10
2	56002043	6	Scr, Pan Phil 10-24 X .38
3	56002063	4	Wsh, Flt SAE 3/8
4	56002491	8	Nut, Hex Nyl Loc SS 1/4-20
5	56002883	8	Scr Hex Ss 1/4-20 X 1.00
6	56002859	12	Wsh, Flt SAE SS 1/4
7	56002947	4	Scr.Hex Hd Loc 3/8-16x1.00
8	56009019	1	Scr, Hex Thd Form 1/4-20 X .38
9	56009033	2	Scr, Hex Thd Form 1/4-20 X .50
10	56514760	1	Blank Panel
11	56514756	1	Housing, Console Weldment
12	56514759	1	Cover-Panel
13	56514761	1	Housing, Steering Weldment
14	56514762	1	Bracket-Console Support
15	2-00-03466	13	Screw #10-16x1/2 Self Tapping
16	56900737	8	Washer, Sealing
17	2-00-04876	4	Screw- 1/4-20 X .50 Bhcs W/ Nylok
18	7-70-05135	1	Steering Column Assy
19	7-89-08041	1	Steering Wheel
20	8-11-00022	1	Cap Steering Wheel
21	56514758	1	Panel-Circuit Breaker Mount
22	56514757	1	Instrument Panel
23	7-60-05029	1	Steering Unit
*	0880-675	1	Seal Kit



5/2009

**INSTRUMENT PANEL CONNECTIONS**

11/2018

**7765****145**

<b>Item</b>	<b>Ref. No.</b>	<b>Qty</b>	<b>Description</b>
1	56001954	3	Wsh, Flt SAE #10 <b>NOTE 2</b>
2	56001993	3	Scr. Pan Phil 10-24 X .50 <b>NOTE 2</b>
3	56002832	3	Nut, Hex Nyl Loc-Thin 10-24 <b>NOTE 2</b>
4	56478363	1	Meter-Hour
5	56516763	1	Bracket Relay
6	7-82-00019	3	Switch SPST On/Off L
7	56384050	3	Rocker Switch W/Cover Assy
8	8-18-00516	1	Decal, Control Top Control Panel
9	8-18-00517	1	Decal, Control Front Inst Panel
10	56418387	5	Relay SPDT <b>NOTE 2</b>
13	56514757	1	Weldment-Instrument Panel
14	56514758	1	Panel-Circuit Breaker Mount
15	2-00-04896	2	Light-Blank <b>NOTE 1</b>
16	2-00-04942	1	Plug .50 Dia
17	7-40-05028	2	Light-(14v) Red
18	7-82-00026	1	Switch, Key - Anti Re-Start
19	8-11-00044	10	Boot
20	56482044	1	Voltmeter
21	8-48-05027	1	Gauge, Oil Pressure
22	8-48-05028	1	Gauge, Water Temperature
23	8-48-05032	1	Gauge, Fuel ( <b>Gasoline and Diesel only</b> )
24	8-64-00008	10	Circuit Breaker- 15 Amp
26	8-82-00024	1	Horn, Push Button
27	0795-186	1	Harness Instrument Panel
28	0795-111	1	Harness Circuit Breaker
29	8-90-07434	2	Wire-Wing
30	7-11-04035	1	Kit, Low LP Indicator ( <b>LPG only</b> )
31	56384747	2	Switch-Rocker Spst-No 20a 125v

[ ] = Not Shown

**NOTE 1:** Only used on MD models**NOTE 2:** Machines built before Serial No. 1000063922 should order Proximity Sensor Kit 56385042 when replacing the original reverse Proximity Switch.

**SPARE PARTS – GAS & LP [VARIABLE DUMP]**

<u>Item</u>	<u>Ref. No.</u>	<u>Qty</u>	<u>Description</u>
<b><u>BROOM &amp; HOPPER COMPONENTS</u></b>			
7-25-08036	1		Flap, Broom Chamber Front
7-25-08032	1		Flap - Broom Chamber
7-25-08034	2		Flap - Broom Chamber Rear Sides
7-25-08033	2		Flap - Broom Door
7-29-00226	4		Gasket - Broom Door
7-25-08068	1		Flap - Hopper Lip
7-68-05019	1		Seal Outer Door
<b><u>SQUEEGEE COMPONENTS</u></b>			
56514860	1		Kit, Rear Skirt, Squeegee
56514859	1		Kit, Side Skirt, Squeegee
<b><u>FILTERS</u></b>			
7-24-04032	1		Hydraulic Return Filter Element
7-24-04046	1		Hopper Panel Filter
7-24-04086	1		Engine Air Filter (Safety)
56482029	1		Engine Air Filter (Main)
<b><u>ENGINE-RELATED COMPONENTS</u></b>			
<b><u>GM 3.0L Gas/LP Engine</u></b>			
56109023	1		Oil Filter
56305412	1		Fuel Filter (Gasoline)
56109049	1		Lock, Safety Valve Connector <b>NOTE 1</b>
56305410	1		Filter, Propane <b>NOTE 1</b>
56508936	1		Valve-Fuel Lockoff (Propane) <b>NOTE 2</b>
56508939	1		Filter (Propane) <b>NOTE 2</b>
56109028	1		Belt, Water Pump & Alternator
56504459	A/R		Seal, Front Crankshaft

**SPARE PARTS - GAS & LP [MANUAL DUMP] MACHINES**

<u>Item</u>	<u>Ref. No.</u>	<u>Qty</u>	<u>Description</u>
<b><u>BROOM &amp; HOPPER COMPONENTS</u></b>			
7-25-08052	1		Flap, Broom Chamber Front
7-25-08051	1		Flap, Broom Chamber Upper
7-25-08050	4		Flap, Hopper Lip
<b><u>SQUEEGEE COMPONENTS</u></b>			
56514860	1		Kit, Rear Skirt, Squeegee
56514859	1		Kit, Side Skirt, Squeegee
<b><u>FILTERS</u></b>			
7-24-04032	1		Hydraulic Return Filter Element
7-24-04086	1		Engine Air Filter (Safety)
56482029	1		Engine Air Filter (Main)
<b><u>ENGINE-RELATED COMPONENTS</u></b>			
<b><u>GM 3.0L Gas/LP Engine</u></b>			
56109023	1		Oil Filter
56305412	1		Fuel Filter (Gasoline)
56109049	1		Lock, Safety Valve Connector <b>NOTE 1</b>
56305410	1		Filter, Propane <b>NOTE 1</b>
56508936	1		Valve-Fuel Lockoff (Propane) <b>NOTE 2</b>
56508939	1		Filter (Propane) <b>NOTE 2</b>
56109028	1		Belt, Water Pump & Alternator
56504459	A/R		Seal, Front Crankshaft

**NOTE 1:** Used on machines up to Serial No. 1000036509.

**NOTE 2:** Used on machines Serial No. 1000036509 and above.

5/2009

**SPARE PARTS - DIESEL [VARIABLE DUMP]**

8/2011

**7765****147**

<b>Item</b>	<b>Ref. No.</b>	<b>Qty</b>	<b>Description</b>
<b>BROOM &amp; HOPPER COMPONENTS</b>			
	7-25-08036	1	Flap - Broom Chamber Front
	7-25-08032	1	Flap - Broom Chamber
	7-25-08034	2	Flap - Broom Chamber Rear Sides
	7-25-08033	2	Flap - Broom Door
	7-29-00226	4	Gasket - Broom Door
	7-25-08068	1	Flap - Hooper Lip
	7-68-05019	1	Seal - Outer Door
<b>SQUEEGEE COMPONENTS</b>			
	56514860	1	Kit, Rear Skirt, Squeegee
	56514859	1	Kit, Side Skirt, Squeegee
<b>FILTERS</b>			
	7-24-04086	1	Engine Air Filter (Safety) <b>NOTE 1</b>
	56482029	1	Engine Air Filter (Main) <b>NOTE 1</b>
	7-24-04032	1	Hydraulic Return Filter Element
	7-24-04046	1	Hopper Panel Filter
<b>ENGINE-RELATED COMPONENTS</b>			
<b>Mitsubishi S4Q2 Diesel Engine</b>			
	7-24-04097	1	Oil Filter
	7-24-04089	1	Element Fuel Filter S4Q2/S4L2 <b>NOTE 2</b>
	56109487	1	Fuel Filter Element <b>NOTE 3</b>
	2-00-05968	1	Belt, Alternator/Fan
	56504421	1	Solenoid & Linkage, Shut Down
	56504455	A/R	Ring Set, Piston
	56504456	A/R	Bushing, Con-Rod

**NOTE 1:** Both filters should be changed at the same time

**NOTE 2:** Only used on obsolete Tier 2 Fuel Filter Assembly 7-24-04078.

**NOTE 3:** Only used on Fuel Filter Assembly 56109485 and Fuel Filter Kit 56381949 which replaces obsolete Tier 2 Fuel Filter Assembly 7-24-04078.

148

7765

8/2011

Item	Ref. No.	Qty	Description
<b>BROOM &amp; HOPPER COMPONENTS</b>			
	7-25-08052	1	Flap, Broom Chamber Front
	7-25-08051	1	Flap, Broom Chamber Upper
	7-25-08050	4	Flap, Hopper Lip
<b>REAR SQUEEGEE COMPONENTS</b>			
	56514860	1	Kit, Rear Skirt, Squeegee
	56514859	1	Kit, Side Skirt, Squeegee
<b>FILTERS</b>			
	7-24-04086	1	Engine Air Filter (Safety) <b>NOTE 1</b>
	56482029	1	Engine Air Filter (Main) <b>NOTE 1</b>
	7-24-04032	1	Hydraulic Return Filter Element
<b>ENGINE-RELATED COMPONENTS</b>			
<b>Mitsubishi S4Q2 Diesel Engine</b>			
	7-24-04097	1	Oil Filter
	7-24-04089	1	Element Fuel Filter S4Q2/S4L2 <b>NOTE 1</b>
	56109487	1	Fuel Filter Element <b>NOTE 2</b>
	2-00-05968	1	Belt, Fan/Alternator
	56504421	1	Solenoid & Linkage, Shut Down
	56504455	A/R	Ring Set, Piston
	56504456	A/R	Bushing, Con-Rod

**NOTE 1:** Both filters should be changed at the same time

**NOTE 2:** Only used on obsolete Tier 2 Fuel Filter Assembly 7-24-04078.

**NOTE 3:** Only used on Fuel Filter Assembly 56109485 and Fuel Filter Kit 56381949 which replaces obsolete Tier 2 Fuel Filter Assembly 7-24-04078.



5/2009

**ENGINE SERVICE PARTS - MITSUBISHI S4Q2 DIESEL**

11/2011

**7765****149****TIER 2**

<u>Item</u>	<u>Ref. No.</u>	<u>Qty</u>	<u>Description</u>
	0775-287	1	Alternator
	7-23-00022	1	Fan, S4Q2 Engine
	2-00-05968	1	Belt, Alternator/Fan
	7-60-05048	1	Water Pump
	7-29-00339	1	Gasket, Water Pump
	7-24-04097	1	Oil Filter
	7-75-03005	4	Glow Plug
	7-64-00041	1	Relay, Glow Plug (installed on wire harness)
	7-64-00040	1	Relay, Murphy (installed on wire harness)
	0769-029	1	Injector
	7-56-04071	1	Pipe, Cylinder #1
	7-56-04072	1	Pipe, Cylinder #2
	7-56-04073	1	Pipe, Cylinder #3
	7-56-04074	1	Pipe, Cylinder #4
	7-56-04079	1	Pipe, Fuel Leak-Off
	7-29-00312	1	Gasket, Thermostat
	7-84-08016	1	Thermostat
	0775-285	1	Starter
	7-29-00338	1	Gasket, Cylinder Head
	56504421	1	Solenoid & Linkage, Shut Down
	7-24-04089	1	Element Fuel Filter S4Q2/S4L2 <b>NOTE 1</b>
	56109487	1	Fuel Filter Element <b>NOTE 2</b>
	7-82-00052	1	Switch, Water Temperature
	7-82-00055	1	Switch, Oil Pressure (for Murphy Shutdown)
	56504485	1	Manifold, Exhaust S4Q2
	56504486	1	Gasket, Manifold to Head
	56504487	1	Gasket, Manifold to Pipe
	56504536	1	Pump-Oil Feed-Mitsu-S4Q2

**TIER 4**

<u>Item</u>	<u>Ref. No.</u>	<u>Qty</u>	<u>Description</u>
	56109487	1	Fuel Filter Element
	56109470	1	Bracket Throttle Cable Mtg
	56109481	1	Pipe Cylinder 1 S4Q2 T4
	56109482	1	Pipe Cylinder 2 S4Q2 T4
	56109483	1	Pipe Cylinder 3 S4Q2 T4
	56109484	1	Pipe Cylinder 4 S4Q2 T4
	56109492	1	Pipe Return Fuel
	2-00-05968	1	Belt, Waterpump/Alternator Mitsu S4Q2
	7-24-04097	1	Filter, Oil Mitsubishi S4Q2
	7-56-04079	1	Pipe, Balance Mitsubishi S4Q2
	7-60-05048	1	Pump, Water Mitsubishi S4Q2
	7-75-03004	4	Glow Plug, Mitsubishi S4Q2
	0769-029	4	Injector, Mitsubishi S4Q2
	0775-285	1	Starter, Mitsubishi S4Q2
	0775-287	1	Alternator, Mitsubishi S4Q2
	7-29-00312	1	Gasket, Thermostat Mitsubishi S4Q2
	7-84-08016	1	Thermostat, Mitsubishi S4Q2
	8-69-00014	1	Sender-Water Temp

**NOTE 1:** Only used on obsolete Tier 2 Fuel Filter Assembly 7-24-04078.

**NOTE 2:** Only used on Fuel Filter Assembly 56109485 and Fuel Filter Kit 56381949 which replaces obsolete Tier 2 Fuel Filter Assembly 7-24-04078.

**NOTE 3:** Tier 4 Diesel was implemented as of serial number 1000033463.

Item	Ref. No.	Qty	Description
	56109000	1	ECU, 2006 LP Cert 3.0L <b>NOTE 1</b>
	56109113	1	ECU, 2007 LP Cert 3.0L <b>NOTE 1</b>
	56109001	1	ECU, 2006 Gas Cert 3.0L <b>NOTE 2</b>
	56109114	1	ECU, 2007 Gas Certified 3.0L <b>NOTE 2</b>
	0795-225	1	Harness, 3.0L LP
	0795-228	1	Harness, 3.0L Gas
	0795-220	1	Harness, Engine To Machine Interface
	0795-226	1	Harness, Fuel Temp Extension
	56109002	1	Sensor, Coolant
	56109003	1	Sensor, Crankshaft Position
	56305405	1	Sensor, TMAP
	56109005	1	Sensor, O2 Pre Cat
	56109006	1	Switch, Oil Pressure
	56504476	1	Sender, Water Temp
	8-69-00005	1	Sender, Oil Pressure
	56109007	1	Water Pump
	56109008	1	Oil Pump
	56109009	1	Gasket, Cylinder Head
	56381950	A/R	Bolt Head
	56109010	1	Gasket, Valve Cover
	56109011	1	Gasket, Lifter Cover
	56109012	1	Gasket, Intake Manifold
	56109013	1	Plate, Drive, SAE 13T B-B
	56109014	6	Bolt, Drive Plate
	56109015	1	Distributor Assembly (Complete)
	56109016	1	Distributor Cap
	56109017	1	Distributor Rotor
	56109018	1	Ignition Module
	56109019	1	Ignition Coil
	56109020	1	Coil Wire
	56109021	1	Spark Plug Wire Set
	56109022	4	Spark Plug
	56109023	1	Oil Filter
	56109024	1	PCV Valve
	56109025	1	Starter
	56109026	2	Bolt, Starter
	56305867	1	Alternator
	56109028	1	Belt, Water Pump & Alternator
	56109029	1	Thermostat, 180
	56109030	1	Gasket, Thermostat
	56109032	1	Gasket, Thermostat Housing
	56381943	1	Outlet-Water 3.0L GM
	56504540	1	Bracket-EPR Mounting (LPG)
	56504541	1	Fitting-2 in. Pipe Nipple (LPG)
	56382678	1	Pulley-Water Pump GM 3L

**NOTE 1:** Use ECU 56109000 for 2006 engine (P/N: 39000558). Use ECU 56109113 for 2007 engine (P/N: 39000653).

**NOTE 2:** Use ECU 56109001 for 2006 engine (P/N: 39000559). Use ECU 56109114 for 2007 engine (P/N: 39000655).

5/2009

**ENGINE SERVICE PARTS - GM 3.0 GAS-LP IMPCO [CONTINUED]**

5/2011

**7765****151**

<b>Item</b>	<b>Ref. No.</b>	<b>Qty</b>	<b>Description</b>
	56504513	A/R	Engine-Long Block Assy 3.0L
	56109033	1	Throttle Body, Bosch 40mm
	56109034	1	Gasket, Bosch Throttle Body
	56109035	1	Mixer, IMPCO Model 100
	56109036	1	Gasket, Adapter - Mixer
	56109040	1	Adapter, Mixer - Throttle Body
	56109041	2	Seal, Mixer Adapter
	56109042	1	O-Ring, Mixer Adapter
	56109043	1	Electronic Pressure Regulator
	56109044	1	Sender, LPG Temp - EPR
	56109045	1	Fitting Kit - EPR
	56109046	3	Isolator, EPR
	56109047	1	Hose, Water - EPR
	7-88-00110	1	Valve, LP Safety
	56109048	1	Connector, Safety Valve
	56109049	1	Lock, Safety Valve Connector <b>NOTE 3</b>
	56305410	1	Filter, Propane <b>NOTE 3</b>
	56508936	1	Valve-Fuel Lockoff (Propane) <b>NOTE 4</b>
	56508939	1	Filter (Propane) <b>NOTE 4</b>
	56109050	1	Fuel Rail Assembly
	56109051	4	Fuel Injector
	56109185	1	Intake Manifold, GM 3.0L
	56109186	1	Exhaust Manifold, GM 3.0L
	56504459	A/R	Seal, Front Crankshaft
	56109084		Engine Service Kit
	56504475	1	Hose, Breather Cap
	56504474	1	Cap, Oil Fill

**NOTE 3:** Used on machines up to Serial No. 1000036509.

**NOTE 4:** Used on machines Serial No. 1000036509 and above.

Item	Ref. No.	Qty	Description
<b>Engine 3.0L GM (PSI)</b>			
*	0795-220	1	Harness: Engine - Machine Patch
*	56109002	1	Sensor, Coolant
*	56109003	1	Sensor, Crankshaft Position
*	56305405	1	Sensor, Tmap
*	7-11-04081	1	Sensor-O2
*	56380238	1	Sender-3.0l Oil Pressure
*	8-69-00013	1	Sender, Water Temp
*	8-69-00005	1	Sender, Oil Pressure
*	56109007	1	Water Pump
*	56109008	1	Oil Pump
*	56109009	1	Gasket, Cylinder Head
*	56109010	1	Gasket, Valve Cover
*	56109011	1	Gasket, Lifter Cover
*	56109012	1	Gasket, Intake Manifold
*	56109013	1	Plate, Drive, SAE 13t B-B
*	56109014	6	Bolt, Drive Plate
*	56109015	1	Distributor Assembly
*	56109016	1	Distributor Cap
*	56109017	1	Distributor Rotor
*	56109018	1	Ignition Module
*	56109019	1	Ignition Coil
*	56109020	1	Coil Wire
*	56109021	1	Spark Plug Wire Set
*	56109022	4	Spark Plug
*	56109023	1	Oil Filter
*	56109205	1	Valve-Pcv
*	56109025	1	Starter
*	56109026	2	Bolt, Starter
*	56305867	1	Alternator, 7si
*	56109028	1	Belt, Alternator
*	56109029	1	Thermostat, 180°F
*	56109030	1	Gasket, Thermostat
*	56109032	1	Gasket, Thermostat Housing
*	56109034	1	Gasket, Throttle Body
*	56381943	1	Outlet-Water 3.0L GM
*	56381950	A/R	Bolt Head
*	56382678	1	Pulley-Water Pump GM 3L
*	56382691	1	Housing - Thermostat 3.0L GM
*	56385275	1	Elbow - Valve Cover - PCV-3.0L <b>NOTE 1</b>
*	56109084	A/R	Engine Service Kit

\* = Optional, Not Included

**NOTE 1:** Used on machines Serial No. 1000065797 and above.

5/2009

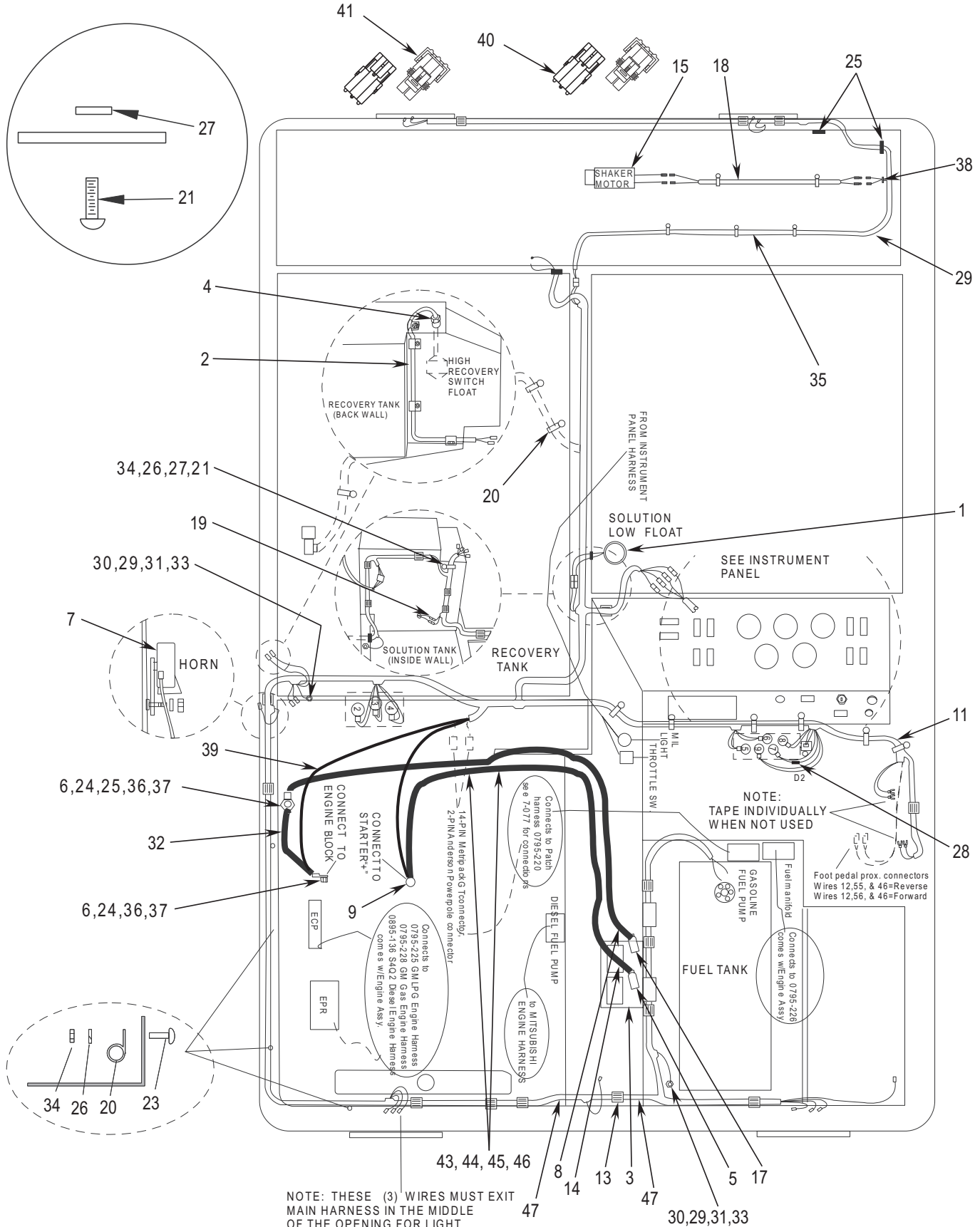
**ENGINE SERVICE PARTS - GM 3.0 GAS-LP PSI [CONTINUED]**

12/2012

**7765****153**

<b>Item</b>	<b>Ref. No.</b>	<b>Qty</b>	<b>Description</b>
<b>Engine 3.0L GM (PSI)</b>			
<b>GAS/PETROL ONLY</b>			
*	56383130	1	Harness-Main 3.0l Gm Gas
*	56109033	1	Throttle Body, Bosch 40mm
*	56109050	1	Fuel Rail Assembly
*	56109051	4	Fuel Injector
*	56380128	1	Ecu-PSI 3.0L Gas
*	0795-226	1	Harness, Fuel Temp Extension
*	56305062	1	Fuel Pump
*	56109052	1	Fitting, Fuel Pump
*	56305412	1	Fuel Filter
*	7-11-04082	1	Manifold, Fuel Temp – Return
*	7-11-04083	4	Fitting, -6 Stor - 5/16 SAE J2044
*	7-11-04084	1	Fitting, -3 Stor - 5/16 SAE J2044
<b>LPG ONLY</b>			
*	56383231	1	Harness-Main 3.0L LP
*	56380129	1	Ecu-PSI 3.0L LP
*	56380136	1	Depr-PSI 3.0L
*	56380138	1	Regulator-Dual Stage
*	56109207	1	Adapter-3.0L Mixer
*	56111892	1	Elbow-90 Deg Reducer
*	56380151	1	Hose-Intake
*	56109206	1	Body-3.0L Throttle
*	56380145	1	Mixer-PSI 3.0L LPG
*	56109041	2	Seal, Mixer Adapter
*	56109042	1	O-Ring, Mixer Adapter
*	56109044	1	Sender, LPG Temp - EPR
*	56109045	1	Fitting Kit, EPR
*	56109046	3	Isolator, EPR
*	56109048	1	Connector, Safety Valve
*	56109049	1	Lock, Safety Valve Connector
*	56508936	1	Valve-Fuel Lockoff
*	56508939	1	Cartridge-LPG Filter
*	56109208	1	Manifold-3.0L Intake

\* = Not Shown



5/2009

**MACHINE HARNESS ROUTING DIAGRAM GAS-LP-DIESEL**

5/2020

**7765****155**

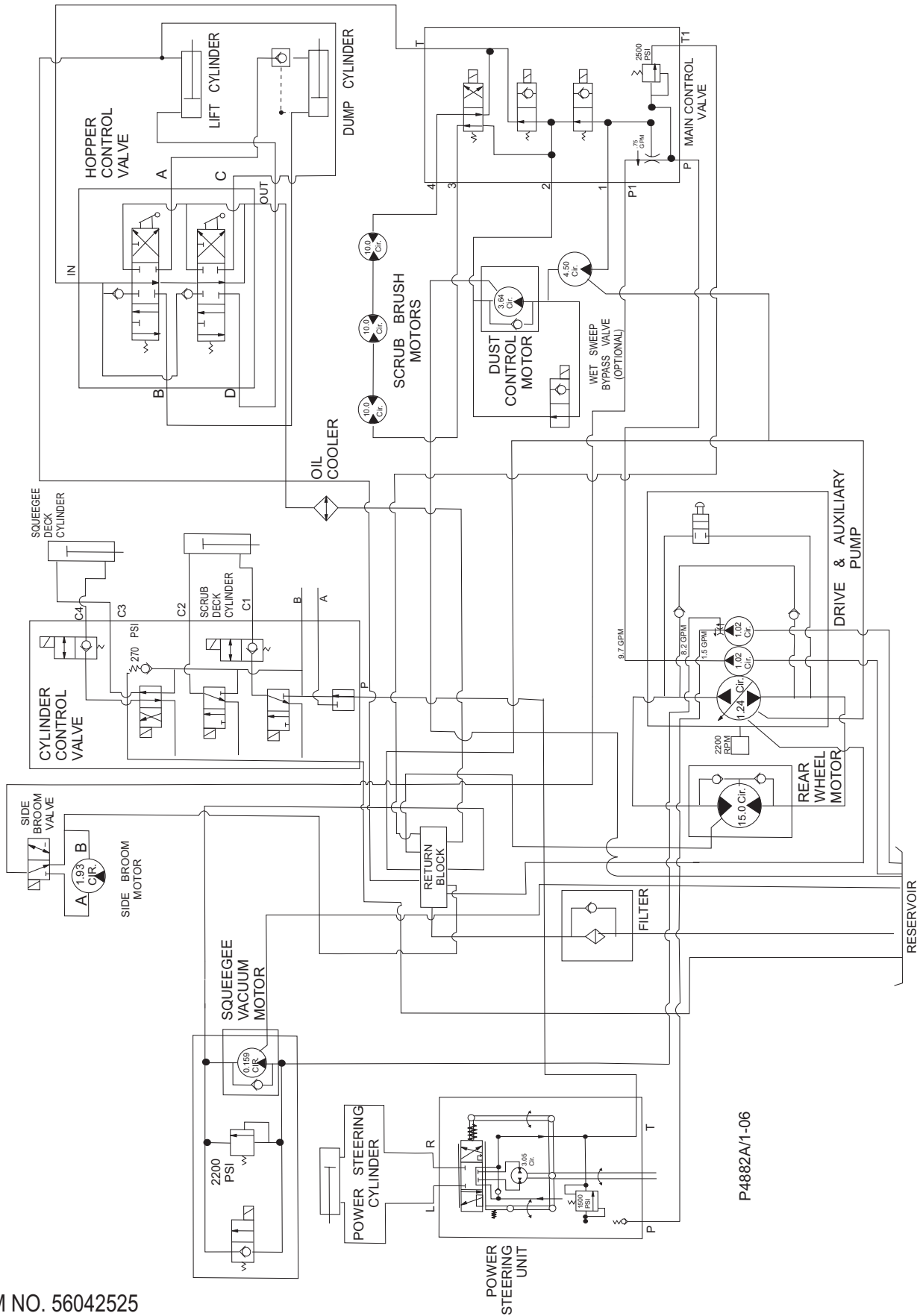
<b>Item</b>	<b>Ref. No.</b>	<b>Qty</b>	<b>Description</b>
1	7-82-00017	Ref.	Switch, Float ( <b>Solution Low</b> )
2	7-82-00021	Ref.	Switch, Float ( <b>Rec. High</b> )
3	0875-008	Ref.	Battery ( <b>Gas/LP Only</b> )
	0875-057	Ref.	Battery ( <b>Diesel Only</b> )
4	8-09-01083	1	Bushing, Connector ( <b>Liquid Tight</b> ) <b>NOTE 1</b>
5	2-00-05171	1	Boot, Protective ( <b>Red</b> )
6	2-00-00232	Ref.	Screw, 3/8-16 x .75 HHC
7	56442054	Ref.	Horn
8	7-90-07515	Ref.	Cable, Battery ( <b>Negative</b> )( <b>Gas/LP</b> )
	7-90-07262	Ref.	Cable, Battery ( <b>Negative</b> )( <b>Diesel</b> )
9	2-00-04952	1	Boot, Protective ( <b>Red</b> )
11	0795-187	1	7760 Machine Harness
12	2-00-03060	Ref.	Screw, #10-24 x .25 THMS
13	7-13-07096	26	Clamp Hose Single 1/2 O.D.
14	7-90-07514	Ref.	Cable, Battery ( <b>Positive</b> )( <b>Gas/LP</b> )
	7-90-07280	Ref.	Cable, Battery ( <b>Positive</b> )( <b>Diesel</b> )
15	0880-705	Ref.	Motor, Shaker
16#			<b>DELETED</b>
17	2-00-05173	Ref.	Boot, Protective ( <b>Black</b> )
18	8-90-07433	1	Wire Assembly, Hopper ( <b>HO - WA</b> )
19	2-00-04551	2	Terminal-Bullet Male
20	56486112	3	Clamp
21	2-00-03061	Ref.	Screw, #10-24 x .50 RHM
22	2-00-04345	39	Ty-Rap Thomas + Betts-Ty-28M
23	2-00-00056	Ref.	Screw, #10-24 x .75 THM
24	2-00-03829	Ref.	Lock Washer, 3/8 Int./Ext.
25	2-00-02360	Ref.	Nut, 3/8-16 Hex
26	2-00-00519	4	Lk Washer 10 Med Sec Zn
27	2-00-00460	Ref.	Flat Washer, #10
28	0875-087	1	Diode Assembly ( <b>D2</b> )
29	2-00-00183	2	Screw, 1/4 - 20 x .75 THM
30	2-00-00518	2	Lock Washer, 1/4 ID Helical Spring
31	2-00-00594	2	Nut, 1/4-20 Hex
32	8-90-07328	1	Wire Contactor To Shunt
33	2-00-00498	2	Lock Washer, 1/4 Ext.
34	2-00-00605	4	Nut Hex Mac-Scr 10-24 Stl/Zn
35	0795-164	1	Harness, Hopper
36	2-00-00402	2	Flat Washer, 3/8
37	2-00-03829	2	Lk Wash INT/EXT Tooth ZN
38	2-00-03878	1	Grommet
39	0795-221	1	Harness-Power 7760 GM 3.0L
40	56462360	4	Conn Wr Pk Male 2 W
41	56462361	4	Conn.Wr.Pk.2 Way Fe
[42]	56409310	8	Plug, Cavity Wp
[43]	2-00-04603	2	Clampdouble 1/2 Od
[44]	56002155	2	Scr Hex 1/4-20 X .75
[45]	56002098	2	Wsh Flt Sae 1/4
[46]	56002708	2	Nut Hex Nyl Loc 1/4-20
[47]	56056215	1	Grommet Eooo59

[ ] = Not Shown

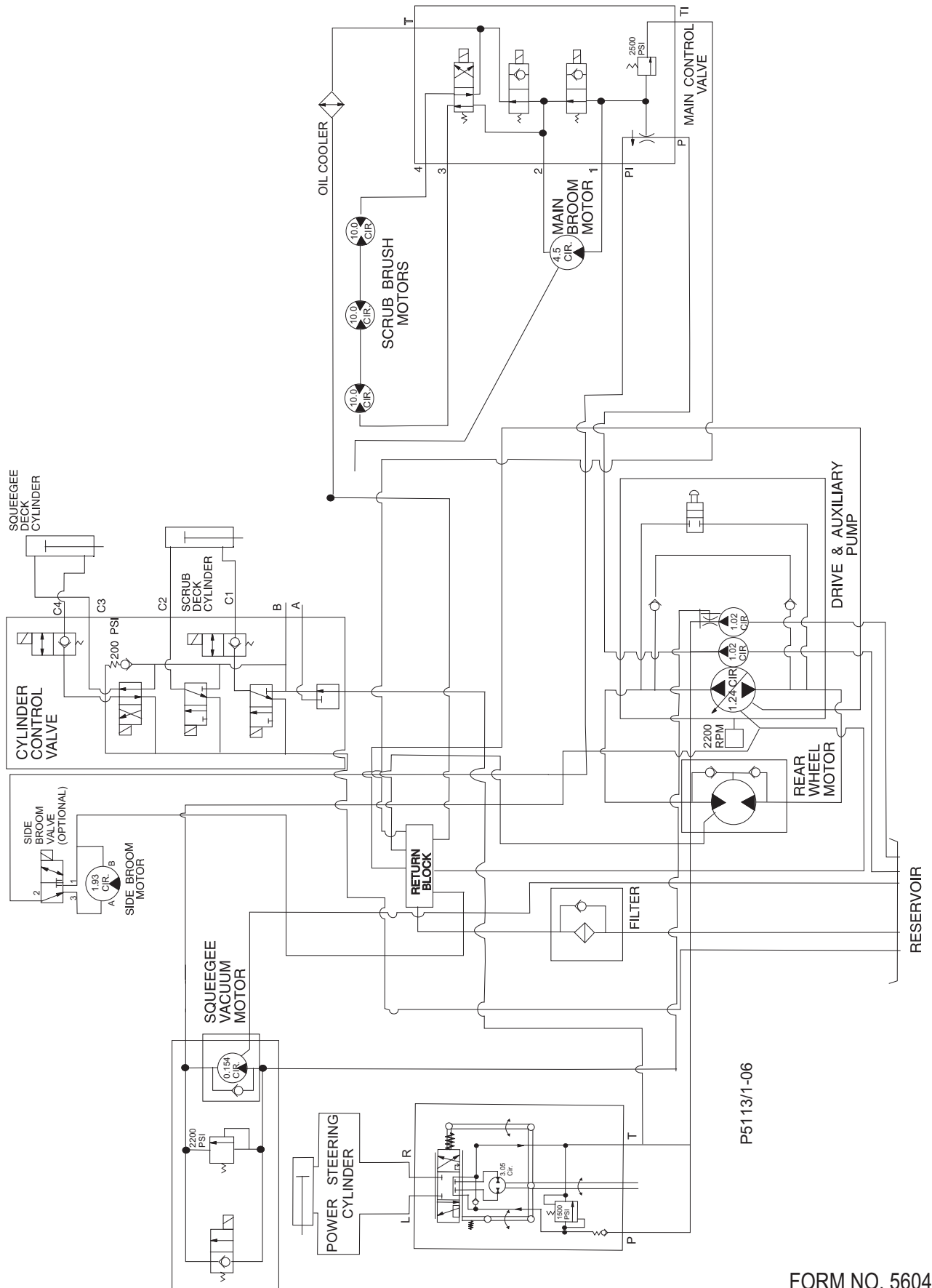
# = Revised or new since last update

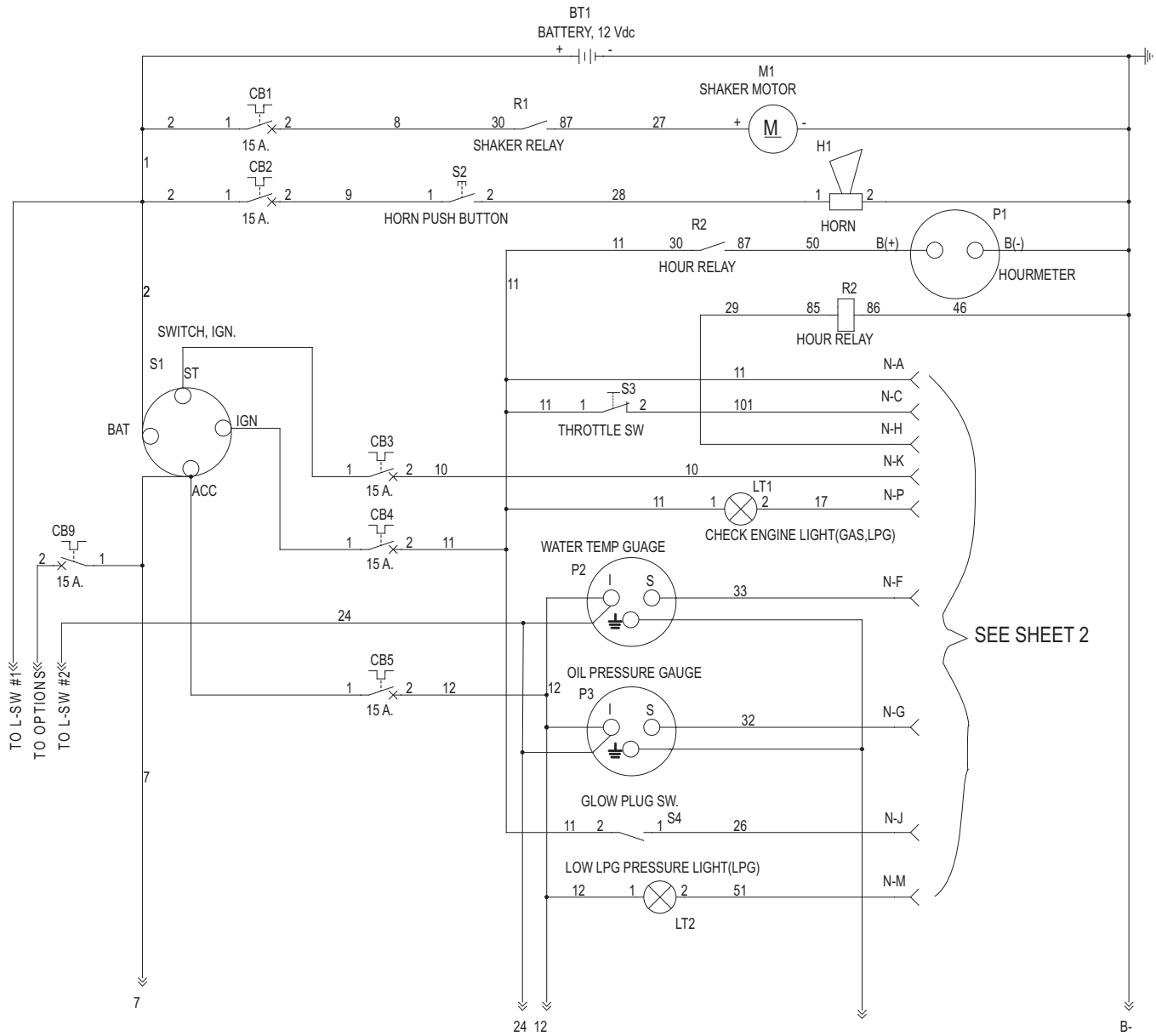
**NOTE 1:** Used only with 0789-728 Clogged Filter Indicator Option.

FORM NO. 56042525









Item	Ref. No.	Qty	Description
BT	0875-008	Ref.	Battery (Gasoline, LPG)
	0875-057	Ref.	Battery (Diesel)

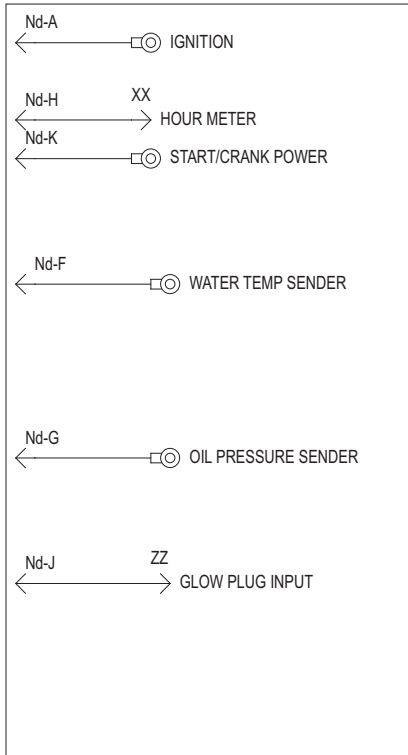
CB1	8-64-00008	1	Circuit Breaker 15 Amp (Shaker)
CB2	8-64-00008	1	Circuit Breaker 15 Amp (Horn)
CB3	8-64-00008	1	Circuit Breaker 15 Amp
CB4	8-64-00008	1	Circuit Breaker 15 Amp
CB5	8-64-00008	1	Circuit Breaker 15 Amp
CB9	8-64-00008	1	Circuit Breaker 15 Amp

H1	56442054	1	Horn
P1	56478363	1	Hourmeter
P2	8-48-05028	1	Gauge, Water Temperature
P3	8-48-05027	1	Gauge, Oil Pressure

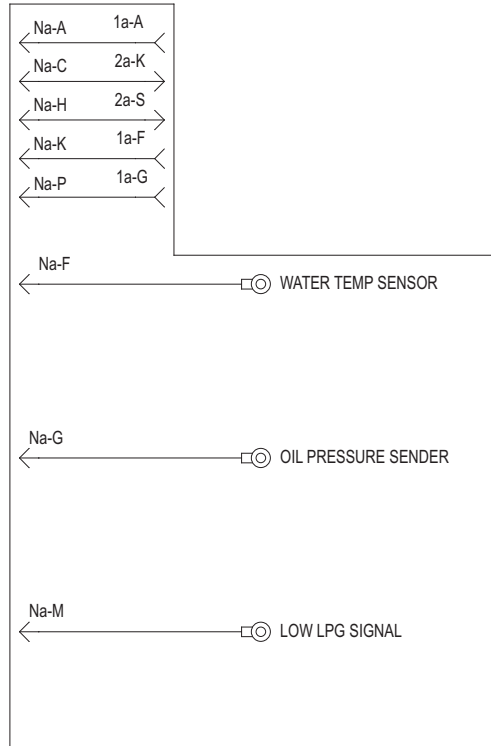
Item	Ref. No.	Qty	Description
LT1	7-11-04080	1	Light, Check Engine (Gasoline, LPG)
LT2	8-40-05057	1	Light, Low LPG Pressure (LPG)

M1	0860-623	1	Motor, Shaker
R1	56418387	1	Relay, Shaker
R2	56418387	1	Relay, Hour

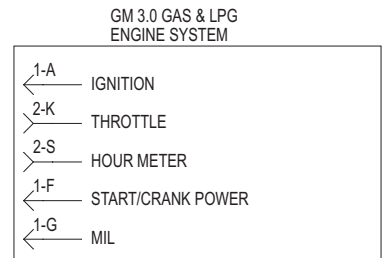
S1	7-82-00026	1	Switch, Ignition
S2	8-82-00024	1	Switch, Horn Push Button
S3	2-00-05827	1	Switch, Throttle
S4	56384747	1	Switch-Rocker Spst-No 20a 125v



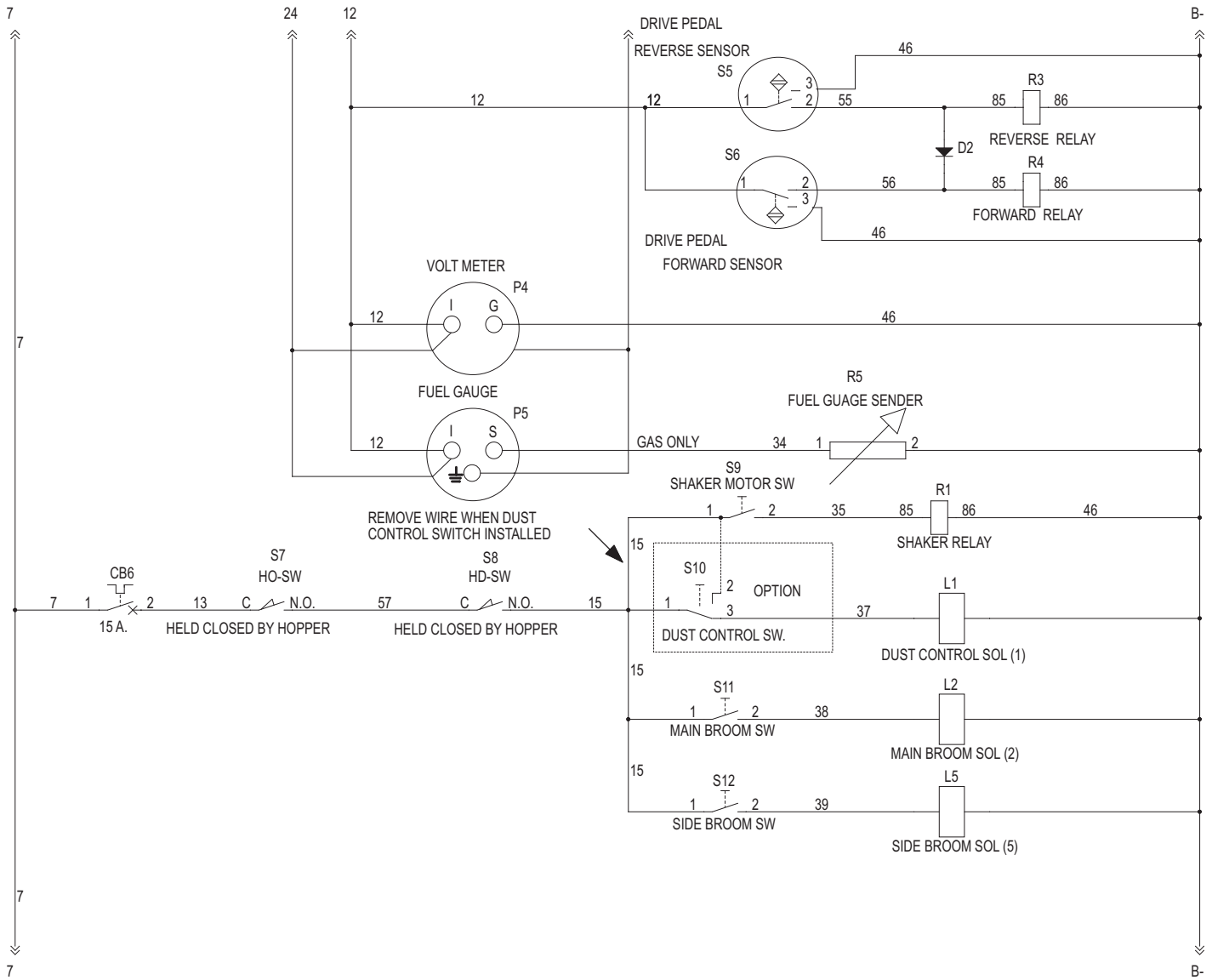
ENGINE SYSTEM  
S4Q2 DIESEL  
0895-136



INTER FACE HARNESS GAS & LPG  
0795-220

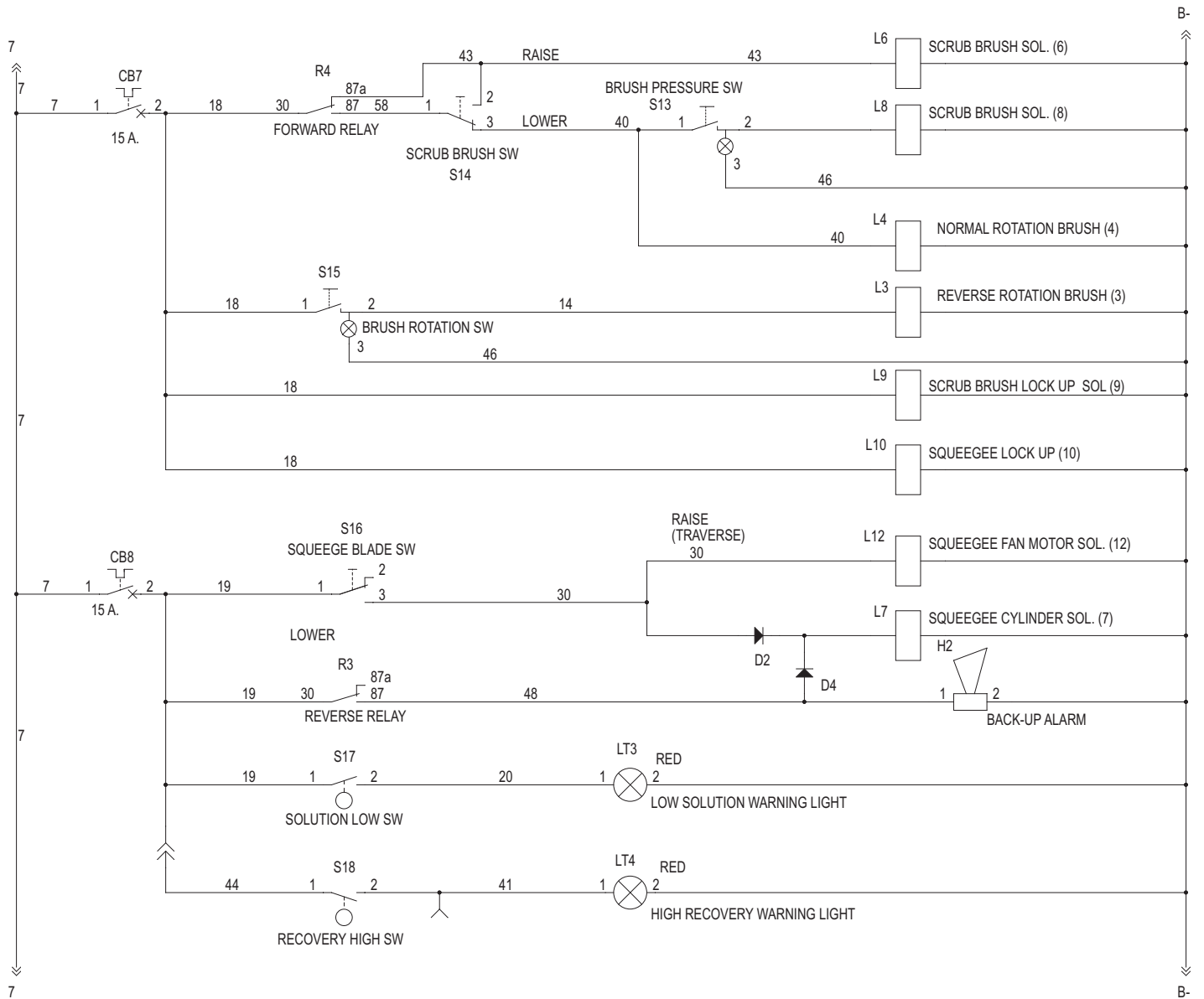


REFERENCE DRAWINGS:  
56380221, 56380222



Item	Ref. No.	Qty	Description
CB6	8-64-00008	1	Circuit Breaker 15 Amp
D2	0875-087	1	Diode Assembly
S5	7-82-00047	1	Sensor, Drive Pedal Reverse
S6	7-82-00047	1	Sensor, Drive Pedal Forward
S7	8-82-00058	1	Switch, Hopper Open
S8	8-82-00058	1	Switch, Hopper Door Open
S9	56384747	1	Switch-Rocker Spst-No 20a 125v
S10	56384050	1	Switch, Dust Control (optional)
S11	56384050	1	Switch, Main Broom
S12	56384050	1	Switch, Side Broom

Item	Ref. No.	Qty	Description
P4	56482044	1	Voltmeter
P5	8-48-05032	1	Gauge, Fuel
R1	56418387	1	Relay, Shaker
R3	56418387	1	Relay, Reverse
R4	56418387	1	Relay, Forward
R5	8-26-04003	1	Fuel Gauge Sender
L1		1	Solenoid, Dust Control (1)
L2		1	Solenoid, Main Broom (2)
L5		1	Solenoid, Side Broom (5)



Item	Ref. No.	Qty	Description
CB7	8-64-00008	1	Circuit Breaker 15 Amp
CB8	8-64-00008	1	Circuit Breaker 15 Amp

D2	0875-087	1	Diode Assembly
D4		1	Diode Assembly

H2	56409232	1	Back-up Alarm
----	----------	---	---------------

L3		1	Solenoid, Normal Rotation Brush (3)
L4		1	Solenoid, Normal Rotation Brush (4)
L6		1	Solenoid, Scrub Brush (6)
L7		1	Solenoid, Squeezegee Cylinder (7)
L8		1	Solenoid, Scrub Brush (8)
L9		1	Solenoid, Scrub Brush Lock Up (9)
L10		1	Solenoid, Squeezegee Lock Up (10)
L12		1	Solenoid, Squeezegee Fan Motor (12)

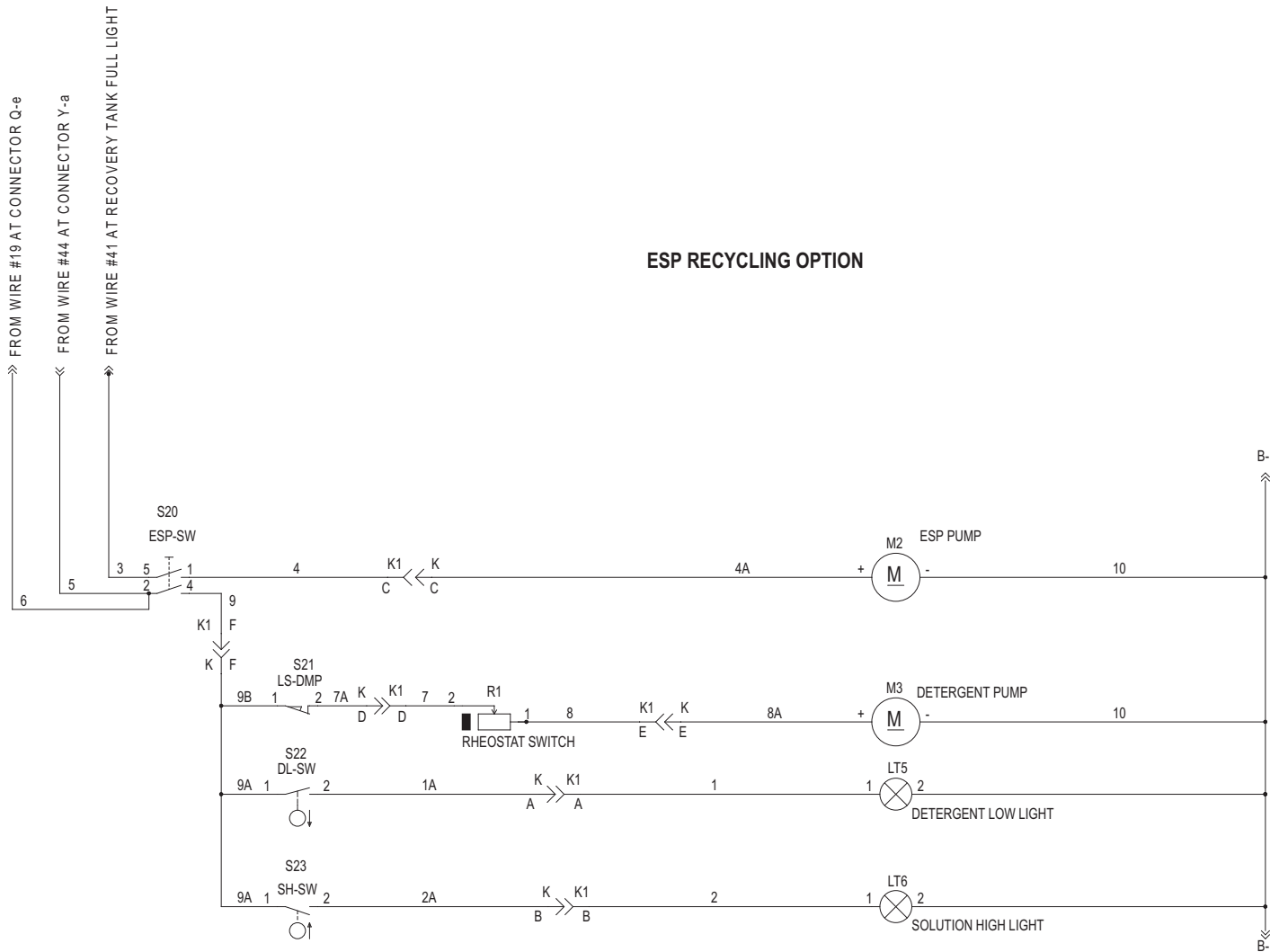
Item	Ref. No.	Qty	Description
LT3	7-40-05028	1	Light, Low Solution Warning
LT4	7-40-05028	1	Light, High Recovery Warning

R3	56418387	1	Relay, Reverse
R4	56418387	1	Relay, Forward

S13	7-82-00019	1	Switch, Brush Pressure
S14	56384050	1	Switch, Scrub Brush
S15	7-82-00019	1	Switch, Brush Rotation
S16	7-82-00019	1	Switch, Squeezegee Blade
S17	7-82-00017	1	Switch, Solution Low
S18	7-82-00021	1	Switch, Recovery High

**INSTRUMENT PANEL HARNESS**  
0795-186

**ESP RECYCLING OPTION**



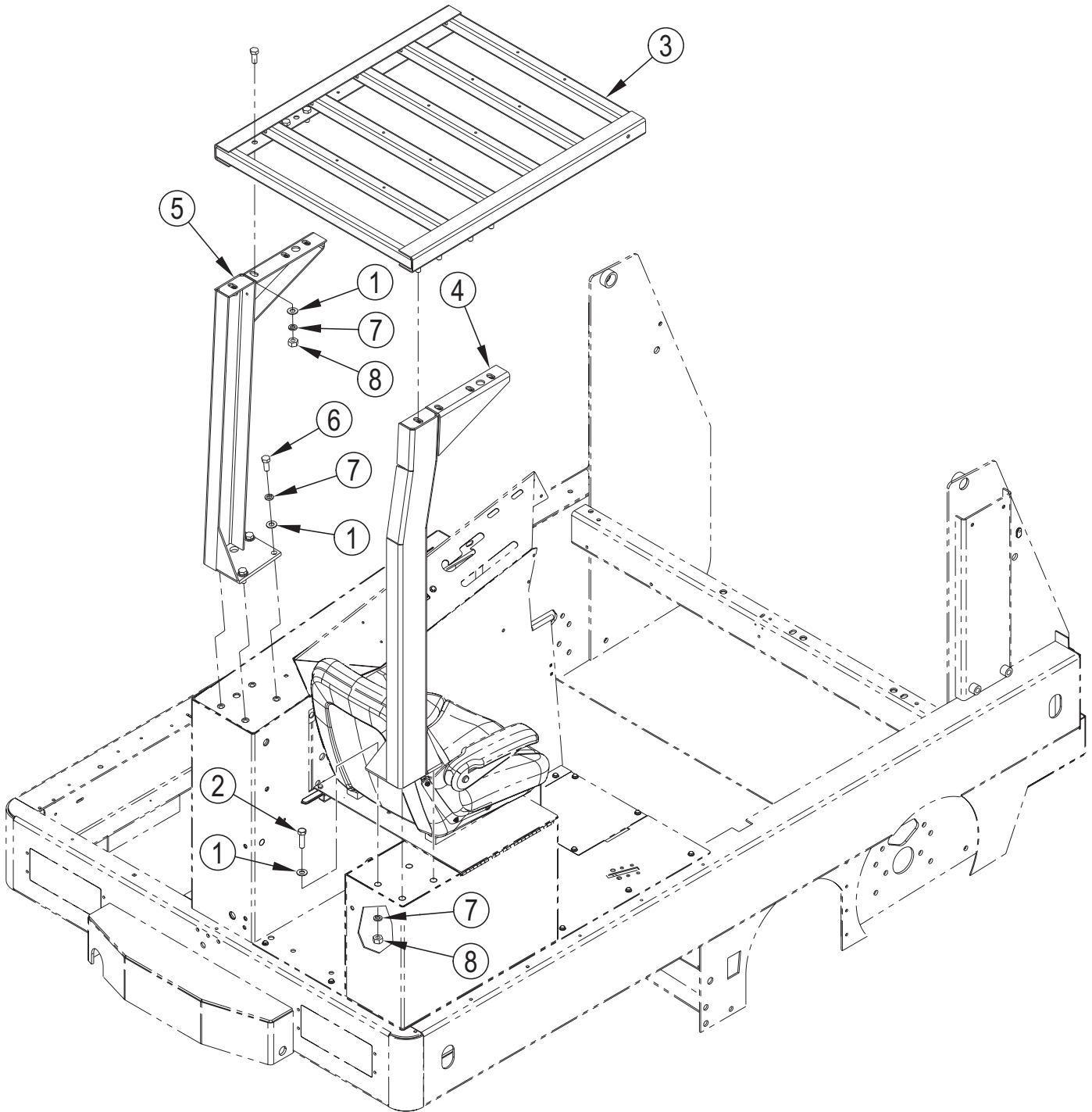
Item	Ref. No.	Qty	Description
LT5	7-40-05028	1	Light, Detergent Low
LT6	7-40-05028	1	Light, Solution High
M2	7-60-05025	1	Pump, ESP
M3	7-60-05031	1	Pump, Detergent
R1	7-64-05009	1	Switch, Rheostat
S20	7-82-00022	1	Switch, ESP
S21	8-82-00036	1	Switch, LS-DMP
S22	7-82-00017	1	Switch, Detergent Low
S23	7-82-00017	1	Switch, Solution High

5/2009	<b>OPTIONS</b>			
5/2020	<b>7765</b>			<b>163</b>

<b>Item</b>	<b>Ref. No.</b>	<b>Qty</b>	<b>Description</b>
<b>Factory Installed Options</b>			
*	0780-377	1	Back Up Alarm
*		1	ESP Option ( <b>OBSOLETE</b> )
*	0780-443	1	Seat Belt
*	56510605	1	Fire Extinguisher Kit
*	56514874	1	Overhead Guard
*	0780-378	1	Spray & Vac Wand
*	0780-382	1	Squeegee Wand
*#	0780-109	1	Suspension seat with RH Arm Rest ( <b>OBSOLETE</b> )
*#	56111535	1	Deluxe Seat Kit
*	56514878	1	Stainless Steel VD Hopper (in lieu of Standard)
*	56514880	1	125 Gal Solution & Recovery tanks (Manual Dump models only in lieu of standard)
*	56514879	1	Auxillary LP Tank Mount w/o Tank
*	56514862	1	Dual Feed LP Tanks (w/o auxillary tank)
*	0780-723	1	Extended 4 corner roller bumpers
*		1	Bumper Frame Wrap Around (poly) ( <b>OBSOLETE</b> )
*		1	Curb Broom Light ( <b>OBSOLETE</b> )
*		1	Rotating Light Option ( <b>OBSOLETE</b> )
*	0880-359-1	1	Flashing Light Option
*#	0880-408-1	1	Rotating Light Option (for overhead guard) ( <b>OBSOLETE</b> )
*	0880-360-1	1	Flashing Light Option (for overhead guard)
*	56514868	1	Head, Tail and Instrument Lights
*	56514867	1	Head, Tail, Instrument and Brake Lights
*		1	Head, Tail, Instrument, Brake Lights, Turn Signals and 4-Way Flashers ( <b>OBSOLETE</b> )
*	0780-236	1	Recovery Tank Debris Basket
*	0780-381	1	Wet Sweep Bypass (not available on manual dump)
*	0780-710	1	High Torque Drive Wheel Motor (in lieu of standard)
*	0780-726	1	Timed filter shaker
*	0780-728	1	Clogged filter indicator
*	0780-727	1	Hopper High Temp Shutdown
*	0780-729	1	Solution Off in Neutral
*	0780-098	1	Urethane Front Tires
*	0780-711	1	Tire, Rear Wheel Non Marking
*	56380882	1	Directional Rear Wheel Kit
*	7-85-06008	1	Tire, Rear Wheel (Hvy Duty Option)
*	56504483	1	Tire, Rear Wheel (Directional) <b>TSBUS2008-1006</b>

\* = Optional, Not Included

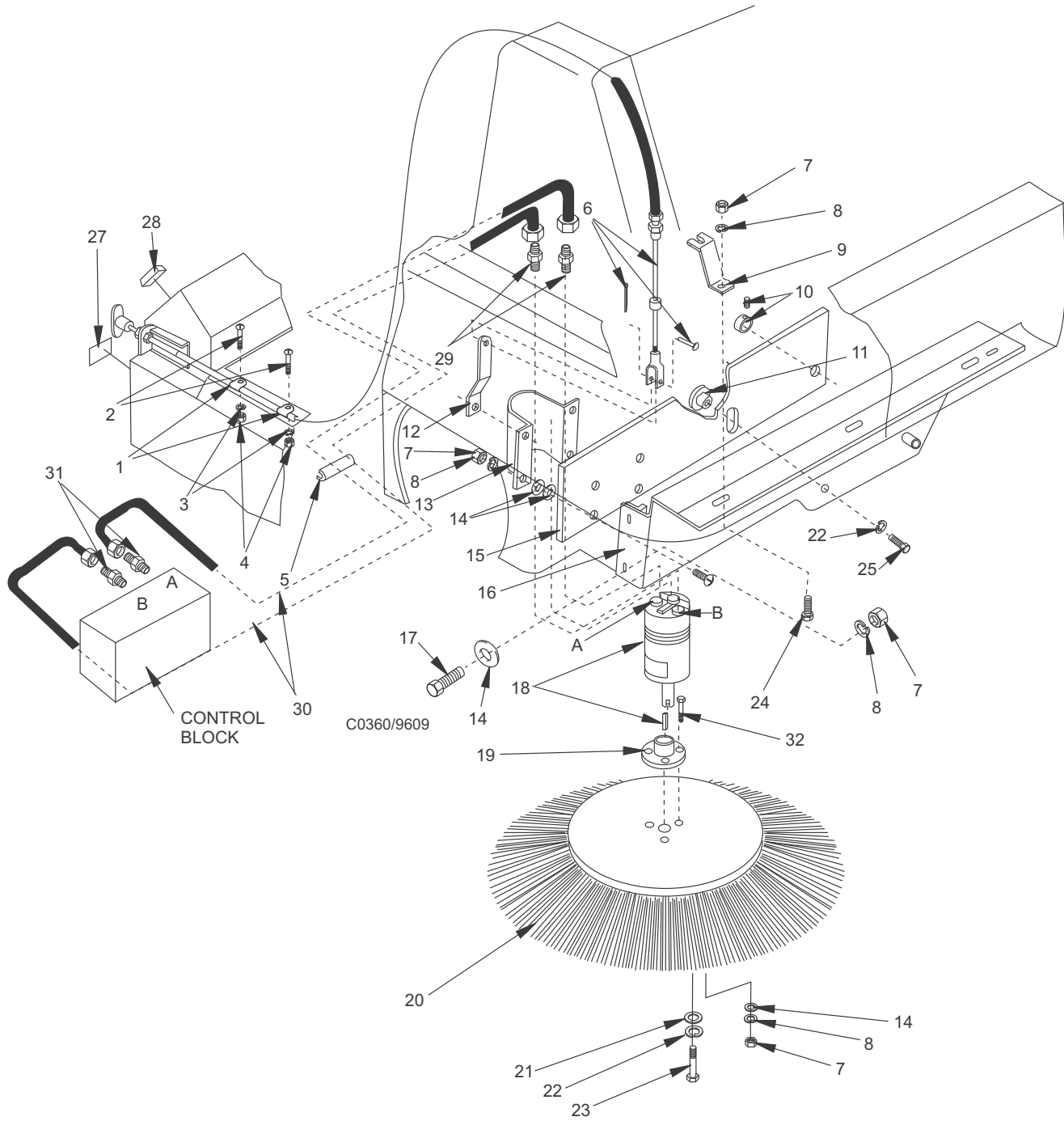
# = Revised or new since last update





5/2009	<b>OVERHEAD GUARD OPTION</b>		
6/2017	<b>7765</b>		<b>165</b>

<u>Item</u>	<u>Ref. No.</u>	<u>Qty</u>	<u>Description</u>
	56514874		Overhead Guard Option
1	56001879	16	Wsh-Flt SAE 1/2
2	56001995	4	Scr-Hex 1/2-13 X 1.75
3	56514900	1	Ohg Weldment
4	56514901	1	Weldment-Support R.H.
5	56514902	1	Weldment-Support L.H.
6	2-00-00240	12	Screw, 1/2-13 X 1.250 Hhc
7	2-00-02312	16	Lk Washer 1/2 Id Med Sec Zn
8	2-00-02352	12	Nut, Hex, 1/2-13



5/2009

**SIDE BROOM OPTION - MANUAL DUMP**

11/2014

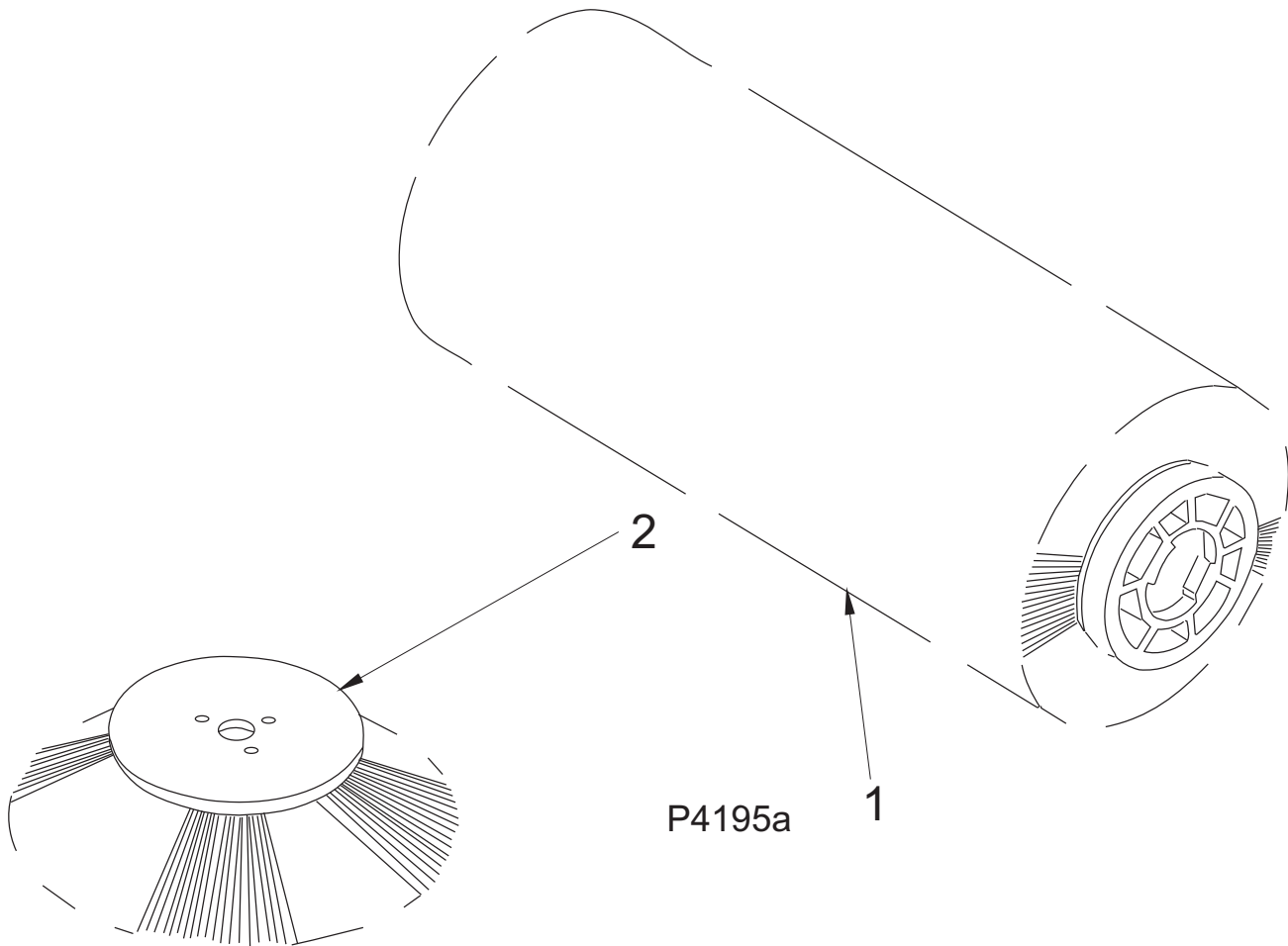
**7765****167**

<u>Item</u>	<u>Ref. No.</u>	<u>Qty</u>	<u>Description</u>
1	2-00-04210	2	Clamp
2	2-00-00049	2	Screw, 10-24 x .50
3	2-00-00512	2	Lock Washer, 10
4	2-00-00605	2	Nut, Hex 10-24
5	8-21-04030	1	Edging
6	7-10-00029	1	Cable
7	2-00-00585	11	Nut, Hex 5/16-18
8	2-00-00530	11	Lock Washer, Helical Spring 5/16
9	7-08-00705	1	Cable Bracket
10	8-15-01003	1	Collar, 3/4 ID w/setscrew
11	7-09-01134	1	Bushing, 3/8-16 Thd.
12	7-79-00060	1	Lift Cable Strap
13	7-08-00841	1	Bracket Side Broom
14	2-00-00409	5	Flat Washer, 5/16
15	7-03-04154	1	Side Broom Arm
16	7-08-00859	1	Side Broom Bracket
17	2-00-03029	3	Screw, 5/16-18 x 1.0 HSFHC
18	0885-061	1	Hydraulic Broom Drive Motor, w/Key
19	7-25-06038	1	Adapter Flange
20	8-08-03107	1	Side Broom
21	2-00-00447	1	Flat Washer 1.25 x .25
22	2-00-00518	4	Lock Washer, 1/4
23	2-00-03537	1	Screw, 1/4-28 x 2.0 HHC
24	2-00-03564	5	Screw, 5/16-18 x 1.0
25	2-00-02310	1	Lock Washer, Helical Spring 3/8
26	2-00-00232	1	Screw, 3/8-16 x .75- HHC
27	7-18-00215	1	Side Broom Label
28	56384050	1	Switch
29	2-00-04918	2	Fitting
30	8-33-02216	2	Hose, ORS-4-Str. Ends
31	2-00-04895	2	Fitting
32	2-00-00218	3	Screw, 5/16-18 x 2.0 HHC
33	2-00-05350	3	Screw, 1/4-28 x .625 HHC

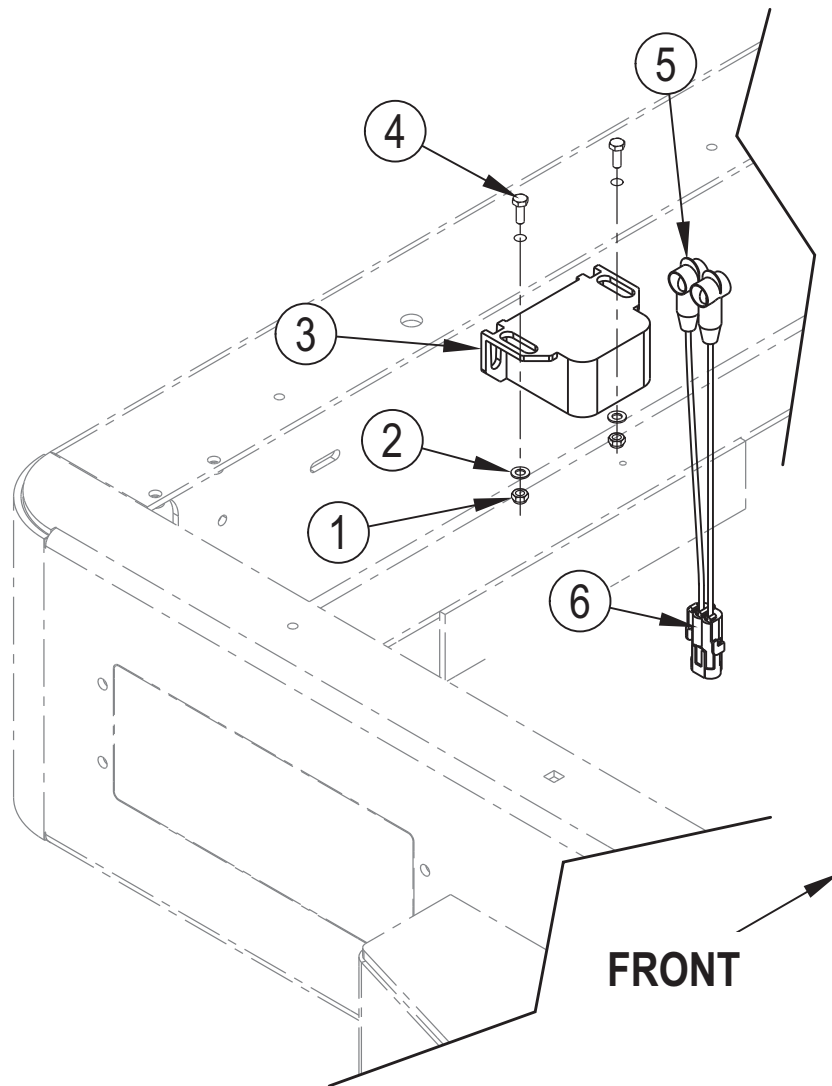
**NOTE:** This factory installed option is now obsolete.

168

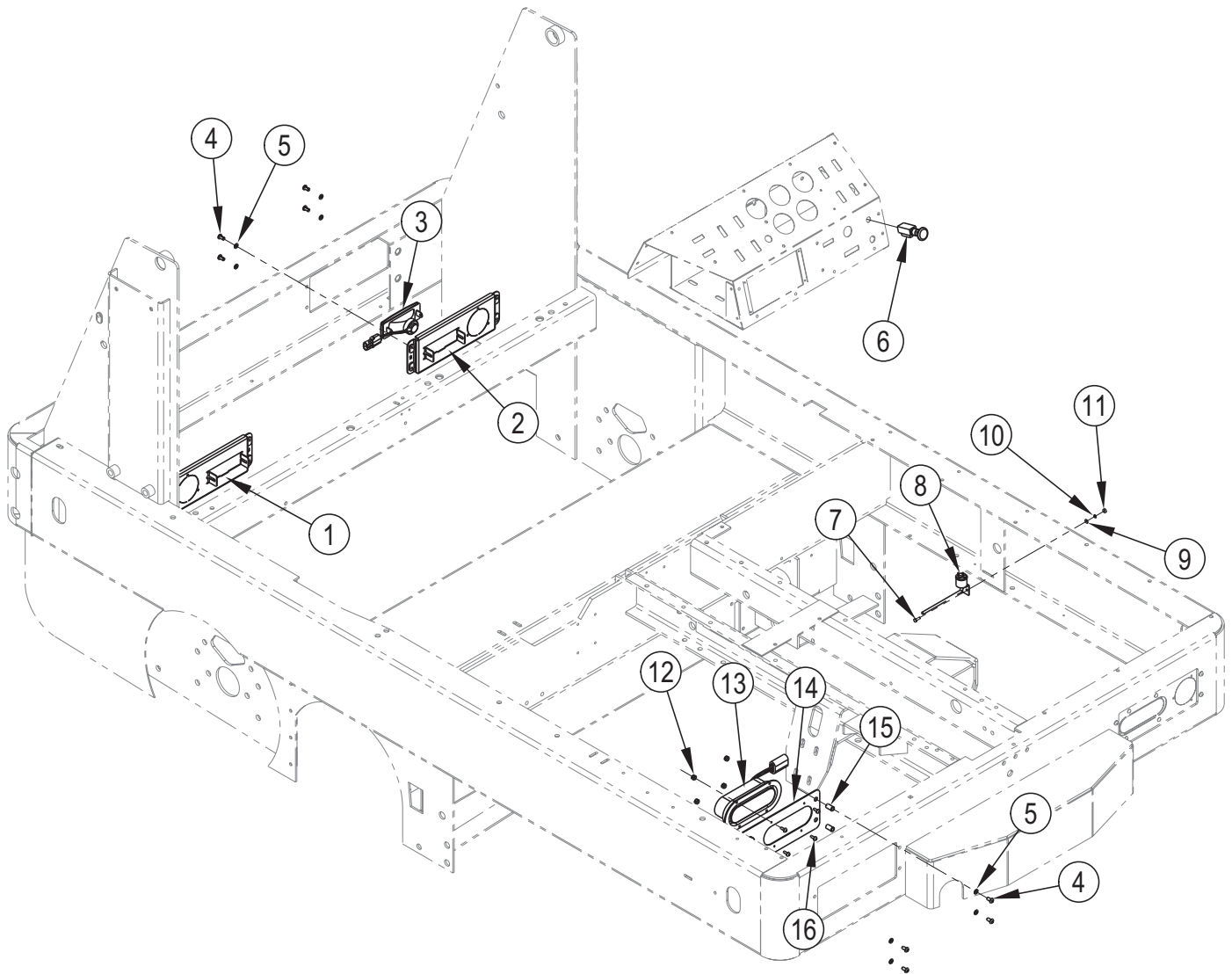
7765



<u>Item</u>	<u>Ref. No.</u>	<u>Qty</u>	<u>Description</u>
1	8-08-03180	1	Proex and Wire
1	8-08-03190	1	Proex
1	8-08-03191	1	Natural Fiber and Wire
1	8-08-03193	1	Nylon
1	8-08-03200	1	Polypro Prolene
1	8-08-03196	1	Nylon, High Density
1	8-08-03198	1	Fiber and Wire, High Density
2	8-08-03107	1	Poly Prolene
2	8-08-03177	1	Nylon



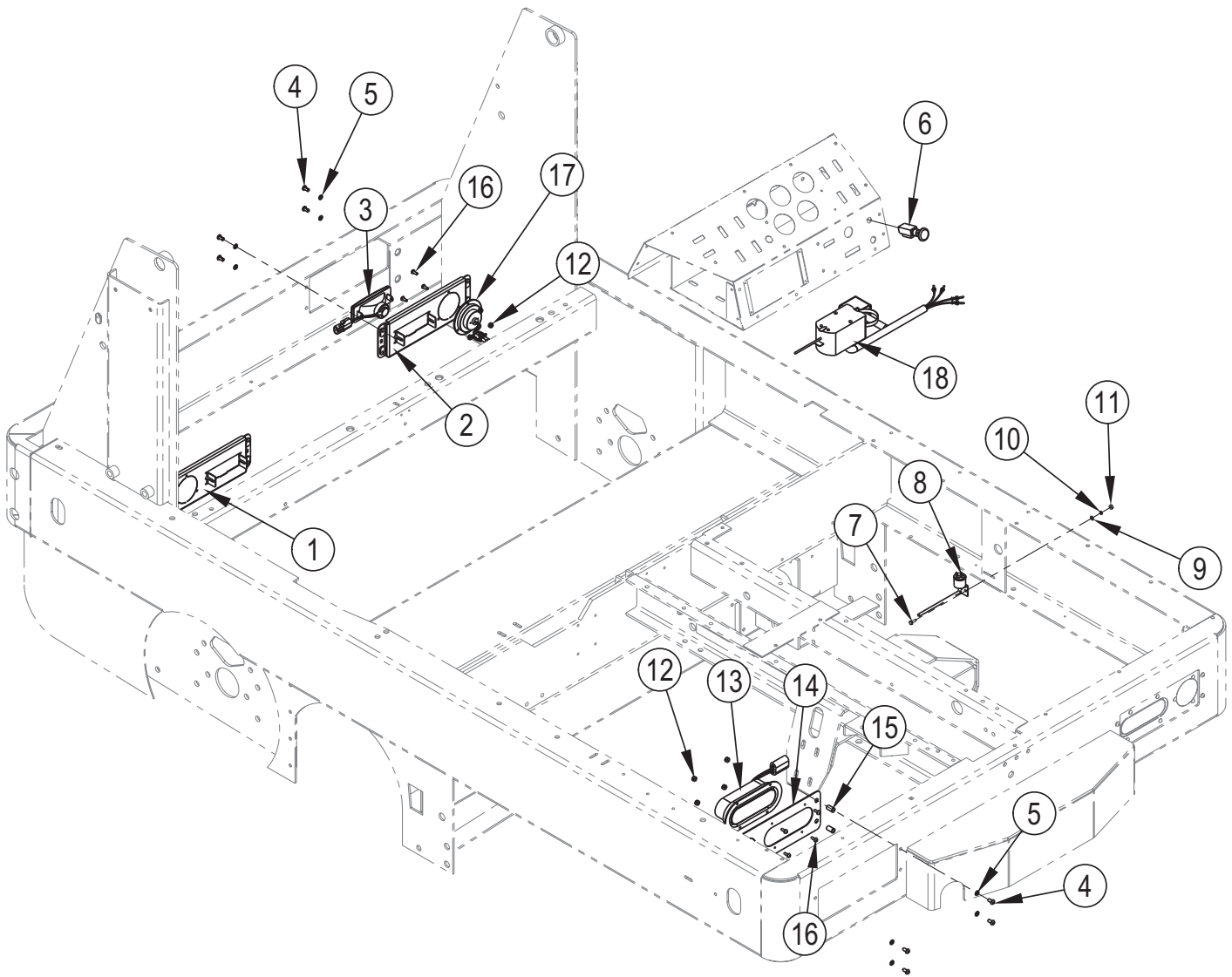
Item	Ref. No.	Qty	Description
	0780-377		Back-Up Alarm Option
1	56002708	2	Nut-Ins-Fibre .25-20 Zn Pl
2	2-00-03702	2	Wshr-Fl..625x.281x.063 Stl.Zn
3	56409232	1	Back-Up Alarm
4	2-00-00221	2	Scr-Hex 1/4-20 x .75
5	56409538	2	Terminal Insulator
6	56409495	1	Wire Assy, Pigtail



5/2009	<b>LIGHTS OPTIONS</b>			
11/2018	<b>7765</b>			<b>171</b>

<u>Item</u>	<u>Ref. No.</u>	<u>Qty</u>	<u>Description</u>
	56514867		Headlights/Taillights/Brake Lights/Instrument Lights
	56514868		Headlights/Taillights/Instrument Lights
1	56381888	1	Bracket-Headlight Right
2	56381890	1	Bracket-Headlight Left
3	7-40-05046	1	Light, 12VDC, 55W Headlight <b>(2 headlights)</b>
4	2-00-04877	16	Screw, 1/4 - 20 x 1.00 BHS W/Nylon
5	2-00-00501	16	Washer - 1/4 Lock Int
6	8-82-00027	1	Light Switch, Push/Pull
7	2-00-00049	2	Scw-Rhm 10-24 X .50 Zn Pl <b>(56514867 only)</b>
8	8-82-00039	1	Switch-Brake <b>(56514867 only)</b>
9	56002006	2	Washer, Flat, #10 <b>(56514867 only)</b>
10	2-00-00519	2	Lockwasher - 10-24 <b>(56514867 only)</b>
11	2-00-00605	2	Nut, 10-24 Hex <b>(56514867 only)</b>
12	2-00-01246	8	Nut - #10-24 Elastic Stop Nut
13	56384749	2	Light-Tail/Brake-Red-12/24vdc
14	56514885	2	Bracket, Rear Light
15	2-00-05261	8	Insert, 1/4-20
16	2-00-00049	8	Scw - RHM 10-24 x .50 Zn Pl
[ ]	8-40-05030	4	Instrument Light and Lead
[ ]	2-00-05183	1	Spade Terminal, Female
[ ]	2-00-04578	6	Male Bullet Plug
[ ]	7-90-07229	1	Wire
[ ]	8-11-00015	1	Terminal

[ ] = Not Shown





5/2009

**LIGHTS & TURN SIGNALS OPTION**

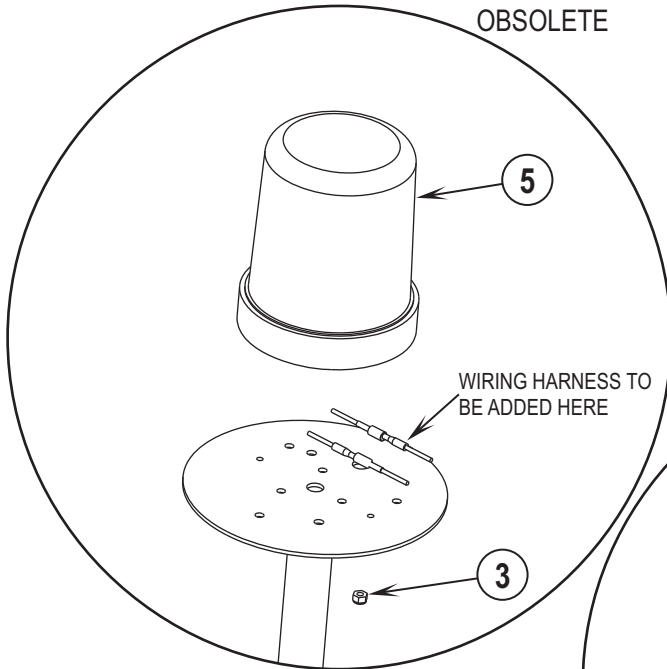
11/2018

**7765****173**

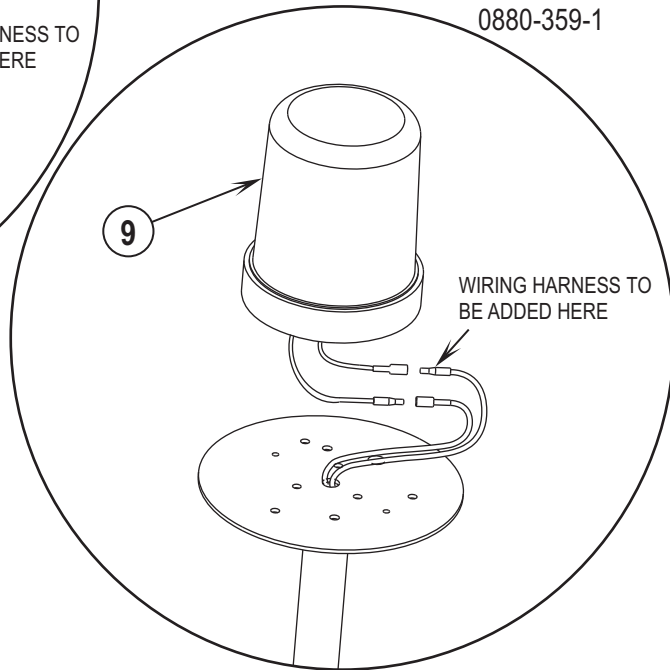
<b>Item</b>	<b>Ref. No.</b>	<b>Qty</b>	<b>Description</b>
			Headlights/Taillights/Instrument Lights/Brake Lights & Turn Signals ( <b>OBSOLETE</b> )
1	56381888	1	Bracket-Headlight Right
2	56381890	1	Bracket-Headlight Left
3	7-40-05046	1	Light, 12VDC, 55W Headlight ( <b>2 headlights</b> )
4	2-00-04877	16	Screw, 1/4 - 20 x 1.00 BHS W/Nylon
5	2-00-00501	16	Washer - 1/4 Lock Int
6	8-82-00027	1	Light Switch, Push/Pull
7	2-00-00049	2	Scw-Rhm 10-24 X .50 Zn Pl
8	8-82-00039	1	Switch-Brake
9	56002006	2	Washer, Flat, #10
10	2-00-00519	2	Lockwasher - 10-24
11	2-00-00605	2	Nut, 10-24 Hex
12	2-00-01246	20	Nut - #10-24 Elastic Stop Nut
13	56384749	2	Light-Tail/Brake-Red-12/24vdc
14	56514885	2	Bracket, Rear Light
15	2-00-05261	8	Insert, 1/4-20
16	2-00-00049	20	Scw - RHM 10-24 x .50 Zn Pl
17	7-40-05048	4	Light, Amber Side Marker
18	8-82-00025	1	Turn Signal Switch
[ ]	8-40-05030	4	Instrument Light and Lead
[ ]	2-00-05183	1	Spade Terminal, Female
[ ]	2-00-04578	11	Male Bullet Plug
[ ]	7-90-07229	1	Wire
[ ]	8-11-00015	1	Terminal
[ ]	2-14-03197	1	Rubber Washer, 1.000 x .187 x .125

[ ] = Not Shown

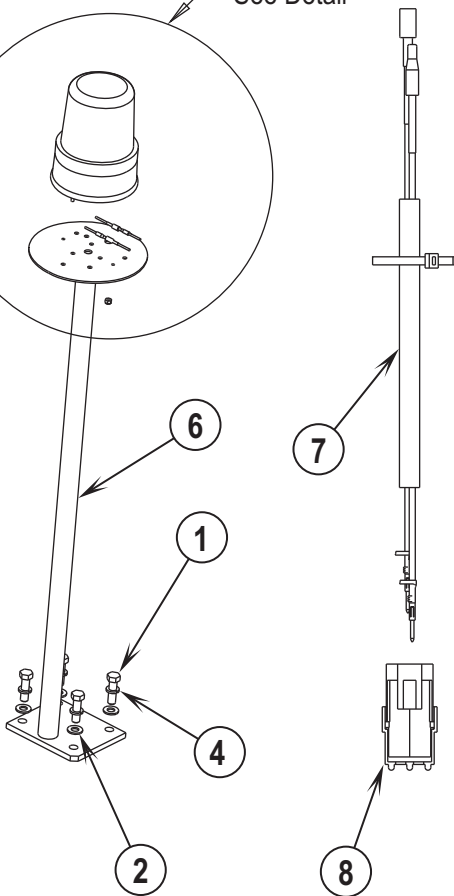
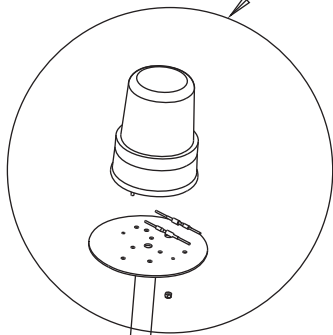
OBSOLETE



0880-359-1

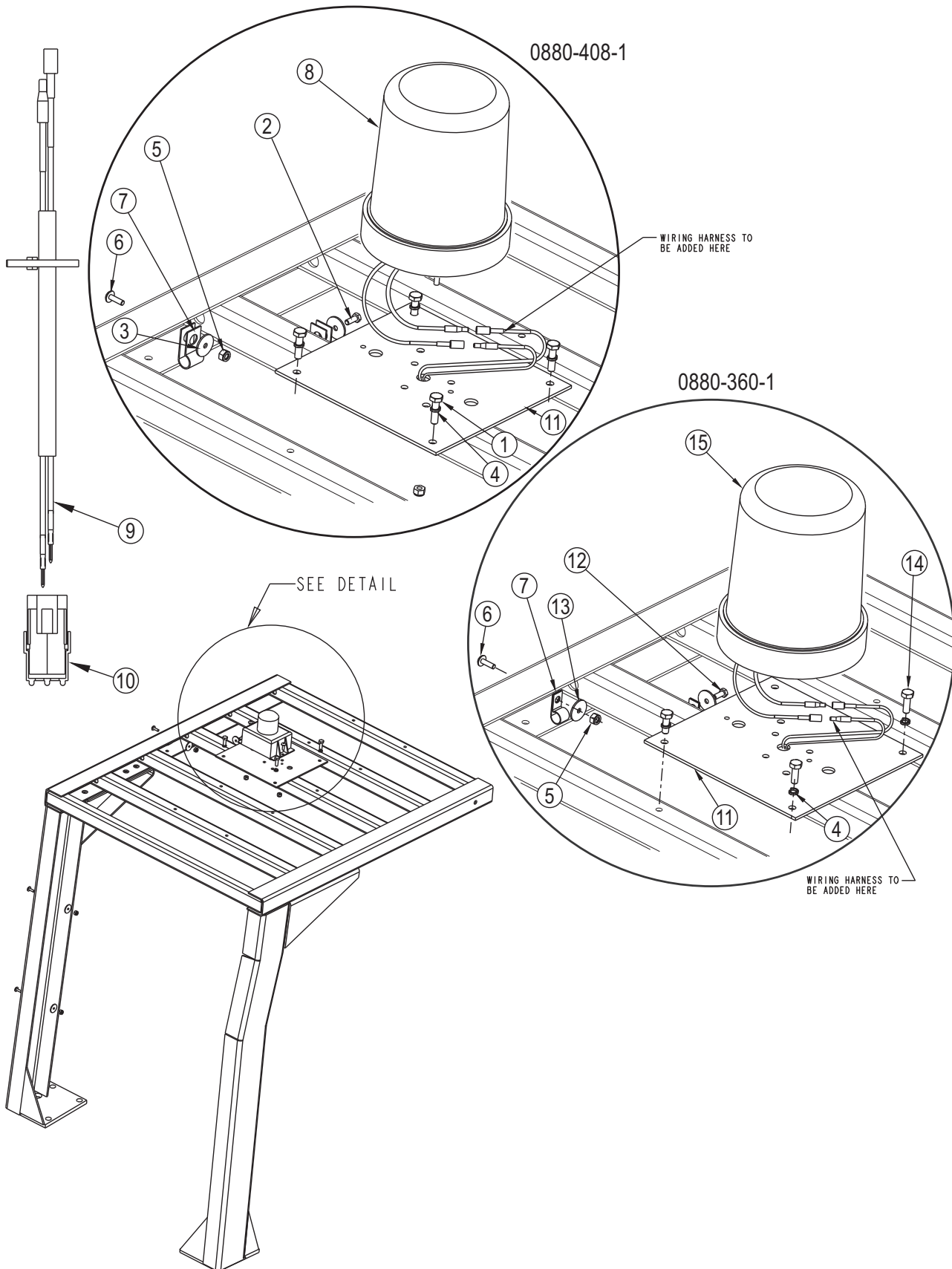


See Detail



5/2009	<b>WARNING LIGHTS [WITHOUT OVERHEAD GUARD OPTION]</b>		
10/2015	<b>7765</b>		<b>175</b>

<u>Item</u>	<u>Ref. No.</u>	<u>Qty</u>	<u>Description</u>
		1	Rotating Light Option <b>(OBSOLETE)</b>
	0880-359-1	1	Flashing Light Option
1	2-00-00241	4	Bolt 1/2-13 X 1-3/4 LG
2	2-00-00405	4	Flat Washer, 1.063 x .531 x .094
3	2-00-01246	2	Nut-10-24 Elastic Stop Nut
4	2-00-02312	4	Washer, 1/2" Lock
5	8-40-05041	1	Light, Emergency, Amber
6	56514904	1	Pole, Light
7	56109254	1	Harness, Warning Light
8	56462360	1	Connector, 2-Way
9	8-40-05041	1	Light, Emergency, Amber



5/2009

**WARNING LIGHTS for OVERHEAD GUARD OPTION**

5/2020

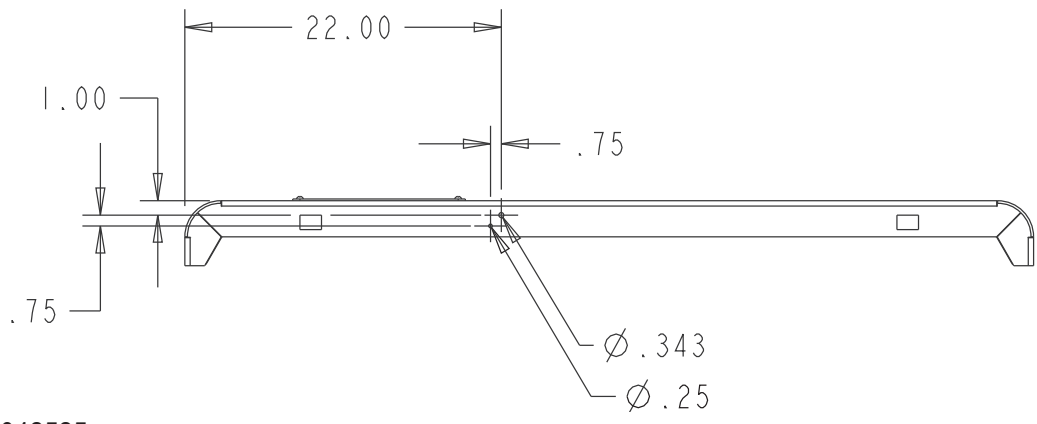
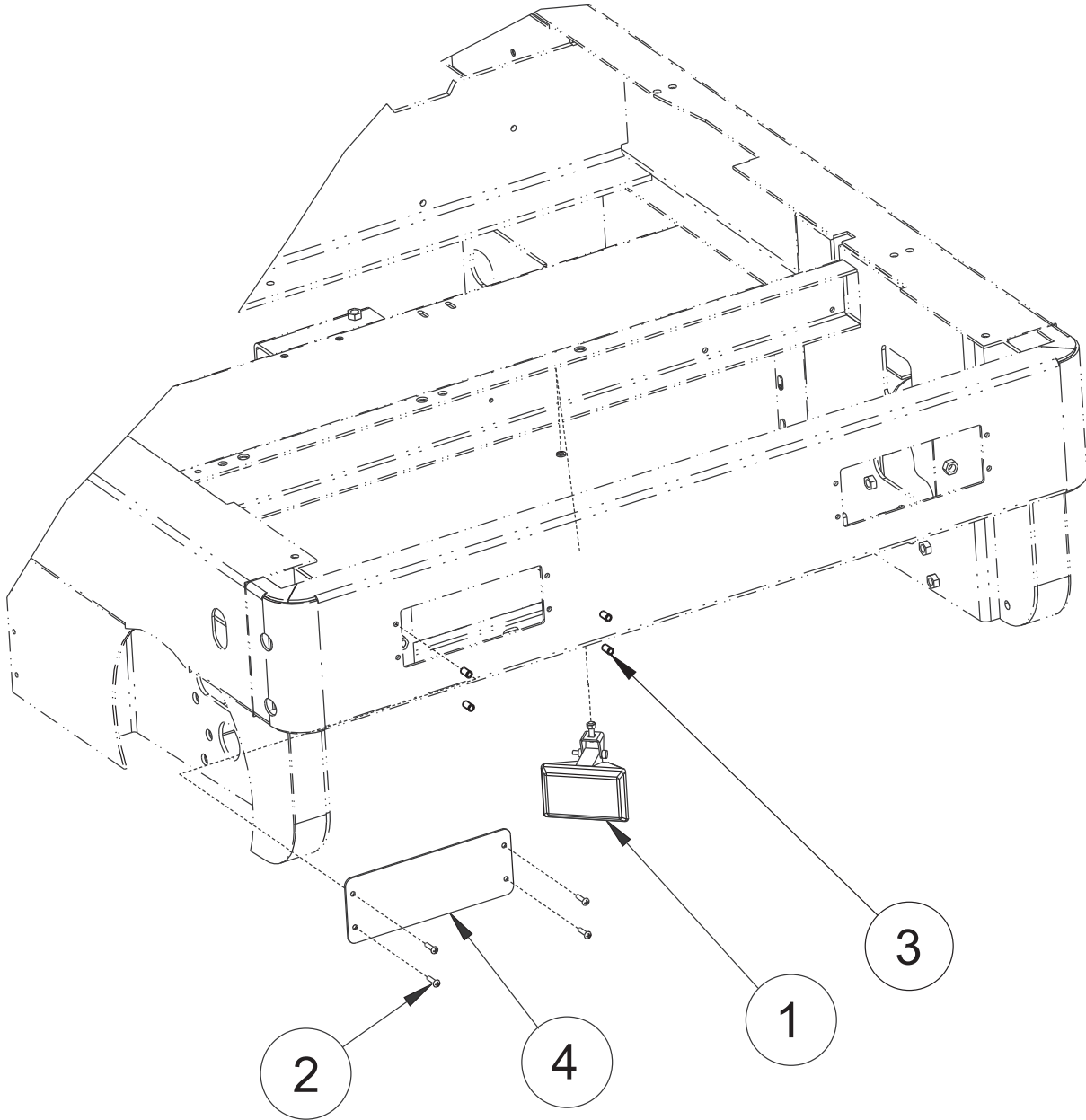
**7765****177**

<b>Item #</b>	<b>Ref. No.</b>	<b>Qty</b>	<b>Description</b>
	0880-408-1		Rotating Light Option <b>NOTE 1</b>
1	56002883	4	Scr. Hex SS 1/4-20 x 1.00
2	56009039	1	Scr. Hex Thd Form 10-24 X .50
3	56009096	4	Wsh, Flt. 193 X .875 X .060
4	2-00-00548	4	1/4" Lock Washer
5	2-00-01246	5	Nut-10-24 Elastic Stop Nut
6	2-00-03062	3	Screw, 10-24 X 5/8 LG
7	56486112	4	Clamp
8	8-40-05041	1	Light, Emergency, Amber
9	56109253	1	Harness, Warning Light
10	56462360	1	Connector, 2-Way
11	56514906	1	Plate, Flasher

<b>Item</b>	<b>Ref. No.</b>	<b>Qty</b>	<b>Description</b>
	0880-360-1		Flashing Light Option
4	2-00-00548	4	1/4" Lock Washer
5	2-00-01246	3	Nut-10-24 Elastic Stop Nut
6	2-00-03062	3	Screw, 10-24 X 5/8 LG
7	56486112	4	Clamp
9	56109253	1	Harness, Warning Light
10	56462360	1	Connector, 2-Way
11	56514906	1	Plate, Flasher
12	56009039	1	Scr. Hex Thd Form 10-24 X .50
13	56009096	4	Wsh, Flt. 193 X .875 X .060
14	2-00-00221	4	Bolt-Hex Head, Finished, 1/4-20x3/4 LG
15	8-40-05041	1	Light, Emergency, Amber

**#NOTE 1:** Rotating Light Option 0880-408-1 is obsolete and replaced by 0880-360-1.

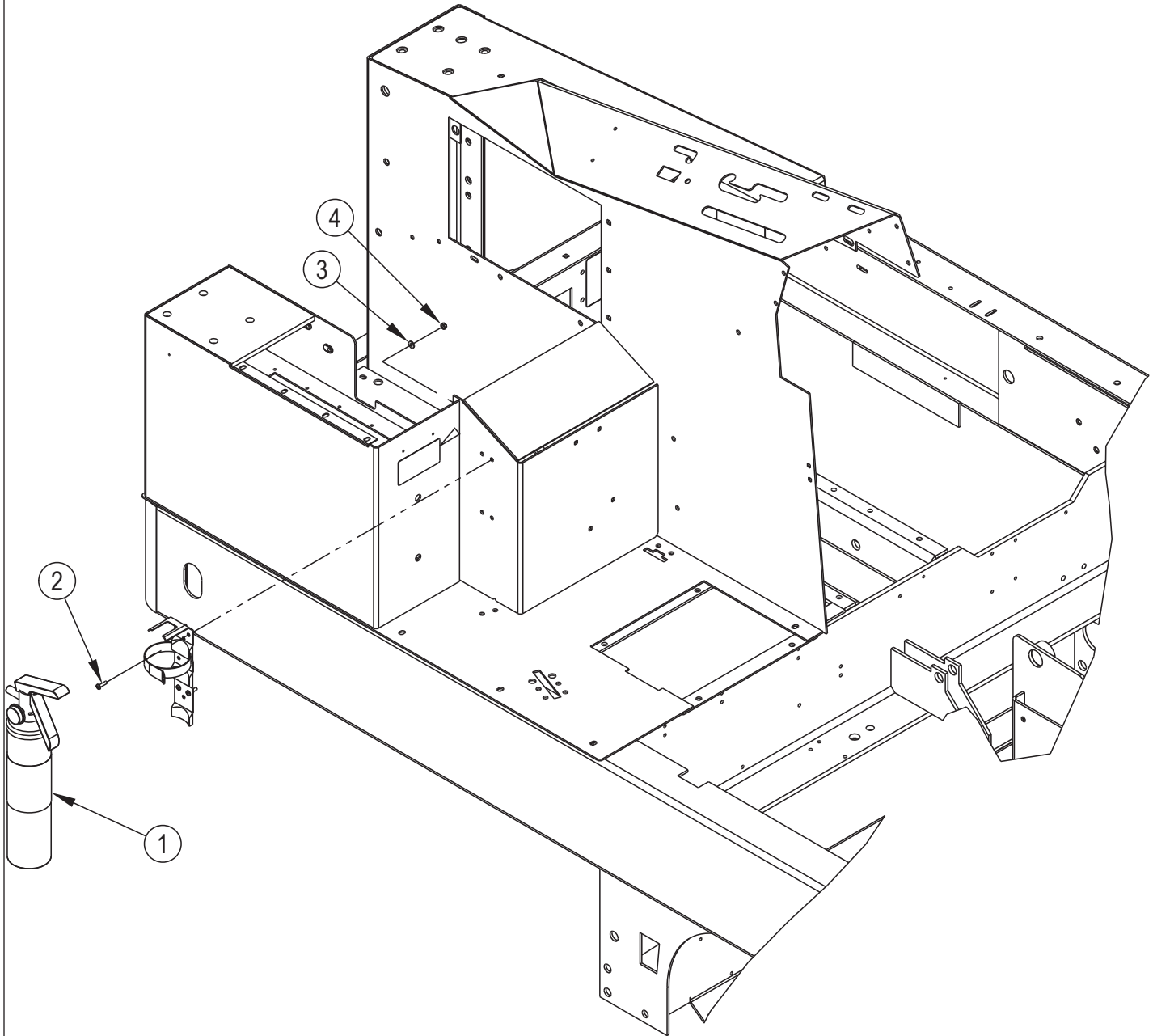
# = Revised or new since last update



5/2009	<b>CURB LIGHT OPTION</b>		
7/2017	<b>7765</b>		<b>179</b>

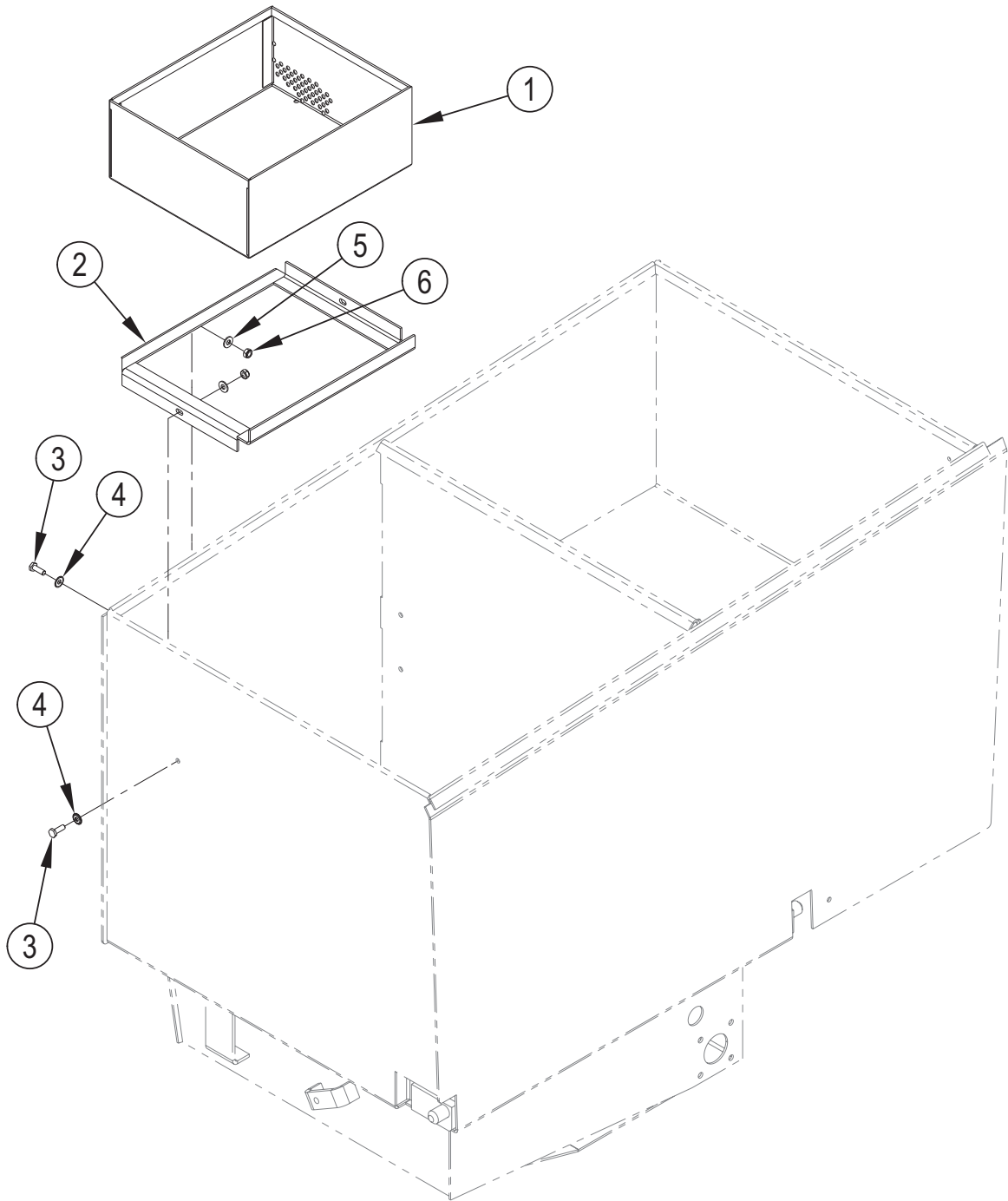
<u>Item</u>	<u>Ref. No.</u>	<u>Qty</u>	<u>Description</u>
			Curb Light Option ( <b>OBSOLETE</b> )
1	8-40-05049	1	Light
2	2-00-04880	4	Screw-1/4-20 x .75 BHS GR 8 ZN
3	2-00-05261	4	Nutsert, 1/4-20
4	56514898	1	Cover, Light
[ ]	56384743	1	Switch- Headlight-20a-12vdc

[ ] = Not Shown

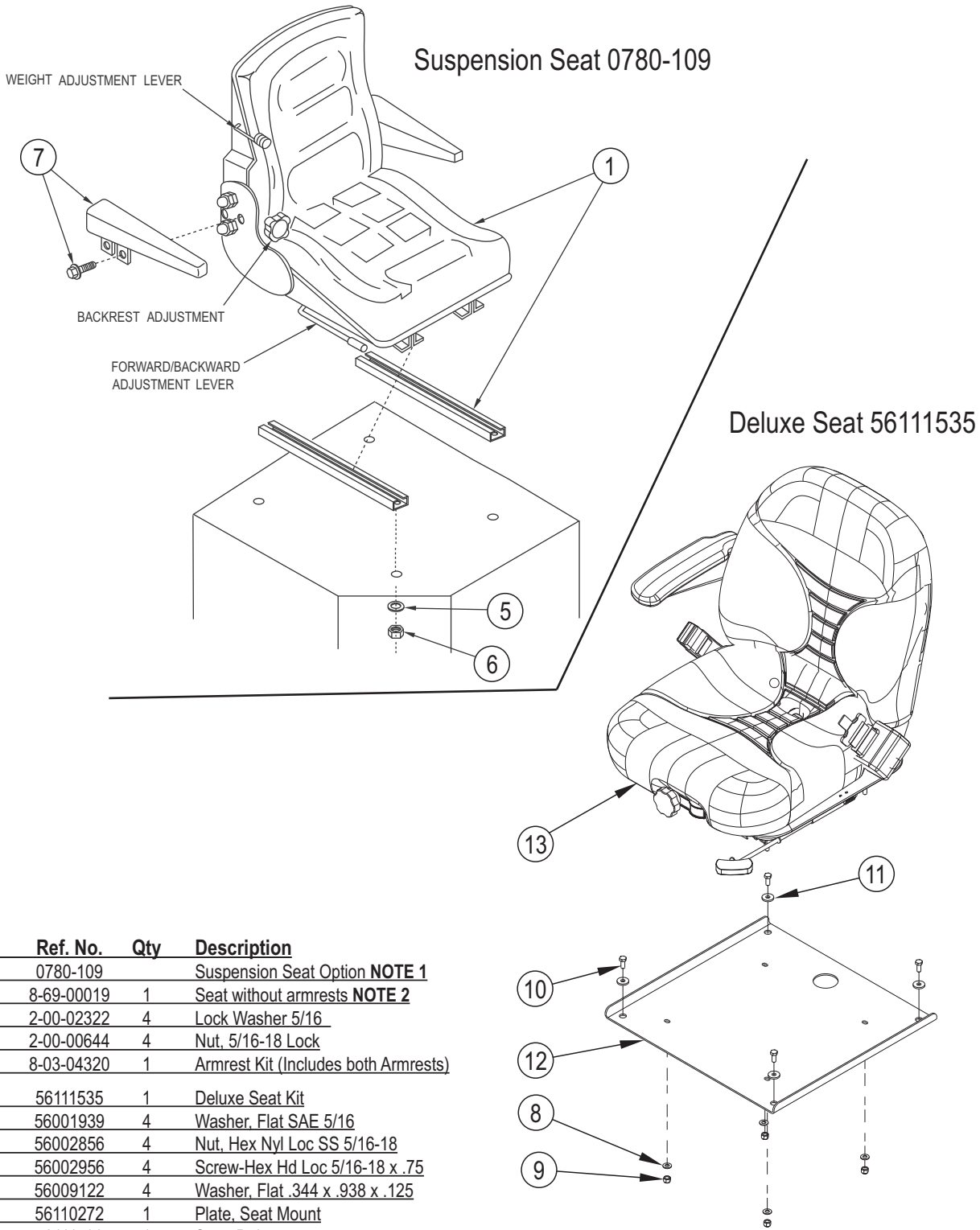


Item	Ref. No.	Qty	Description
	0780-380		Fire Extinguisher Option
1	8-83-04033	1	Fire Extinguisher 2-1/2 Pound
2	56002894	4	Screw-Pan Phil SS 10-24 x .750
3	56002916	4	Wsh-Fit SAE SS #10
4	56002849	4	Nut, Hex Nyl Loc-Thin SS 10-24





Item	Ref. No.	Qty	Description
	0780-236		Debris Basket Option
1	7-06-00001	1	Debris Basket
2	7-27-07156	1	Debris Basket Frame
3	56002807	2	Screw-Hex SS 1/4-20 x .75
4	56900737	2	Sealing Washer, 1/4
5	56002859	2	Wsh Flt SAE SS 1/4
6	56002850	2	Nut, Hex 1/4-20
7			<b>DELETED</b>

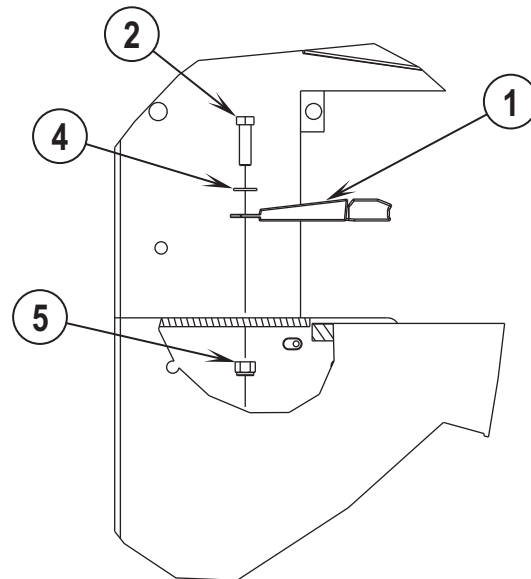
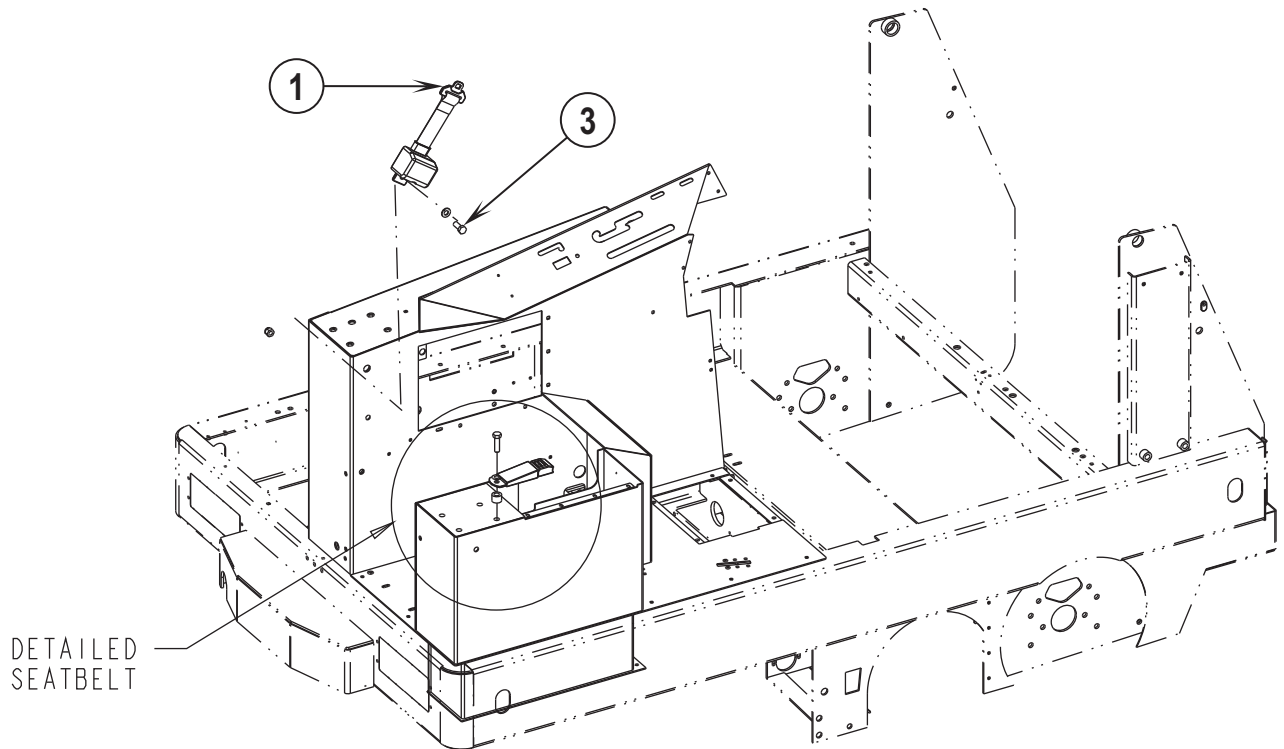


Item #	Ref. No.	Qty	Description
#	0780-109		Suspension Seat Option <b>NOTE 1</b>
1#	8-69-00019	1	Seat without armrests <b>NOTE 2</b>
5	2-00-02322	4	Lock Washer 5/16
6	2-00-00644	4	Nut, 5/16-18 Lock
7	8-03-04320	1	Armrest Kit (Includes both Armrests)
#	56111535	1	Deluxe Seat Kit
8#	56001939	4	Washer, Flat SAE 5/16
9#	56002856	4	Nut, Hex Nyl Loc SS 5/16-18
10#	56002956	4	Screw-Hex Hd Loc 5/16-18 x .75
11#	56009122	4	Washer, Flat .344 x .938 x .125
12#	56110272	1	Plate, Seat Mount
13#	56111539	1	Seat, Deluxe

# = Revised or new since last update

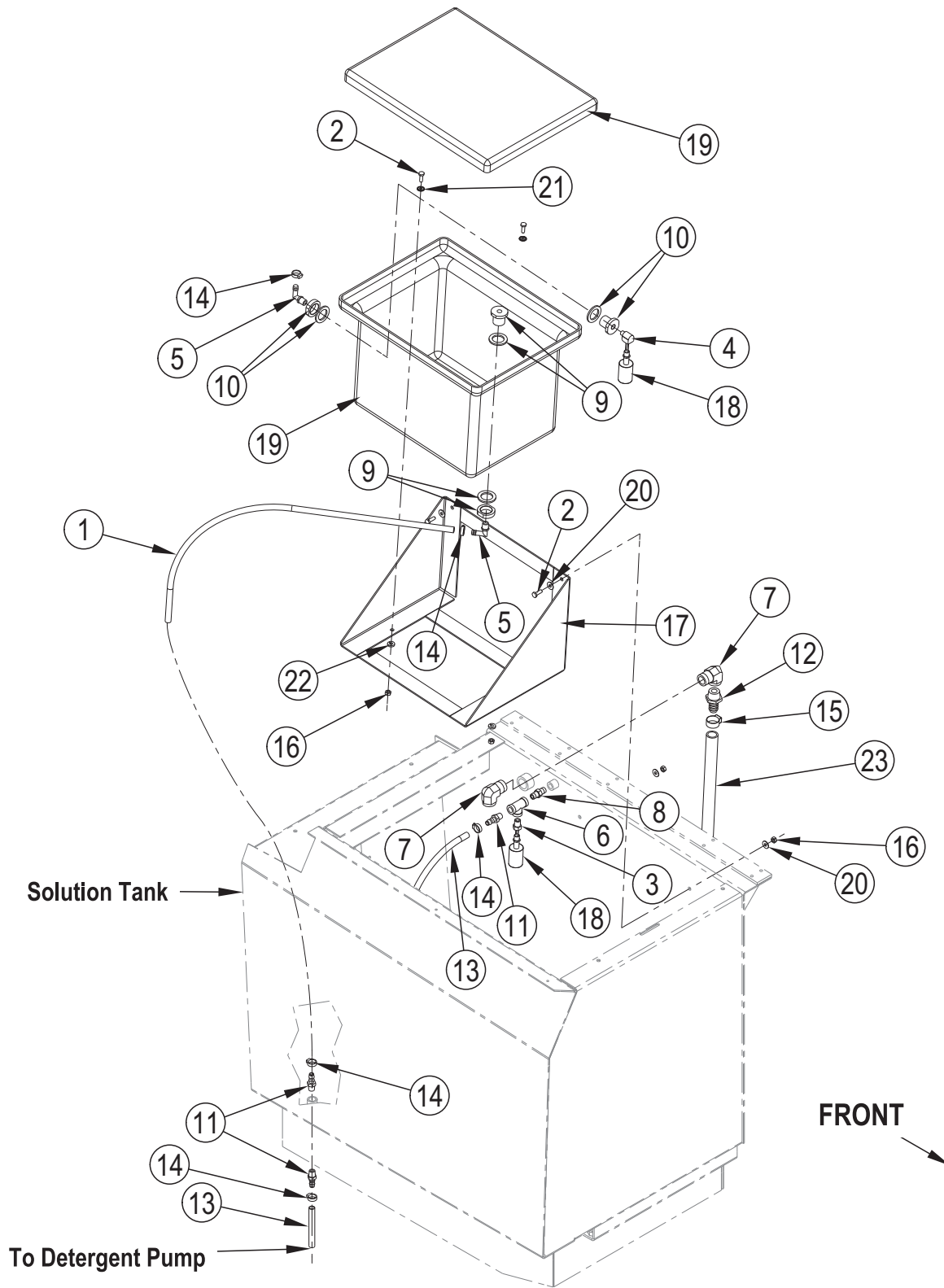
**#NOTE 1:** Suspension Seat Option 0780-109005 is obsolete and replaced by 56111535.

**#NOTE 2:** Seat without Armrests 8-69-00019 is obsolete and replaced by 56111539.



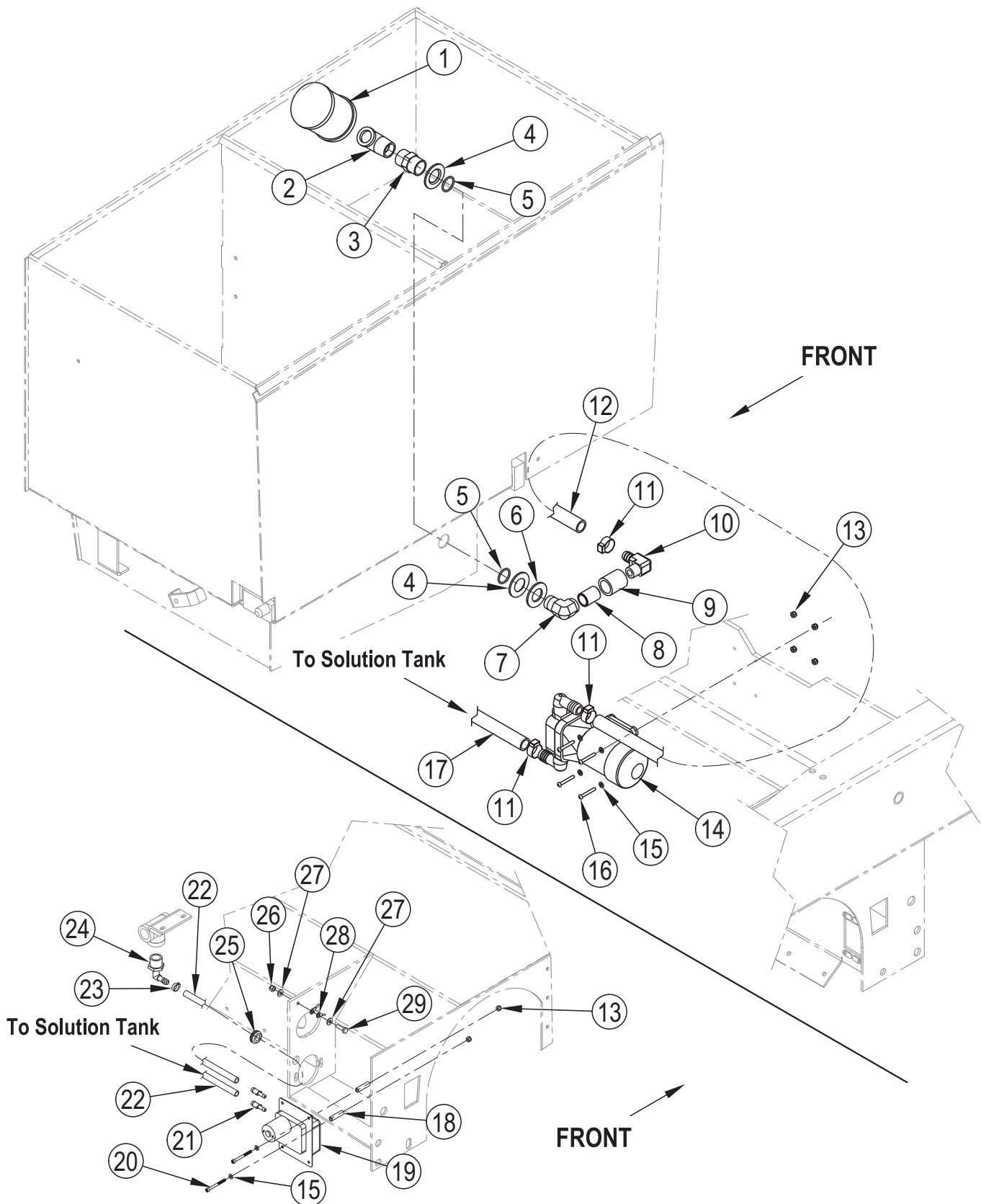
DETAIL SEATBELT

Item	Ref. No.	Qty	Description
	0780-443		Seat Belt Option for Standard Seat
1	56109301	1	Seat Belt 60"
2	2-00-00241	1	Bolt 1/2-13 x 1-3/4 LG
3	2-00-00240	1	Screw, 1/2-13 x 1.250 HHC
4	2-00-00405	2	Flat Washer, 1.063 x .531 x .094
5	2-00-04936	2	Locknut-Elastic, 1/2-13



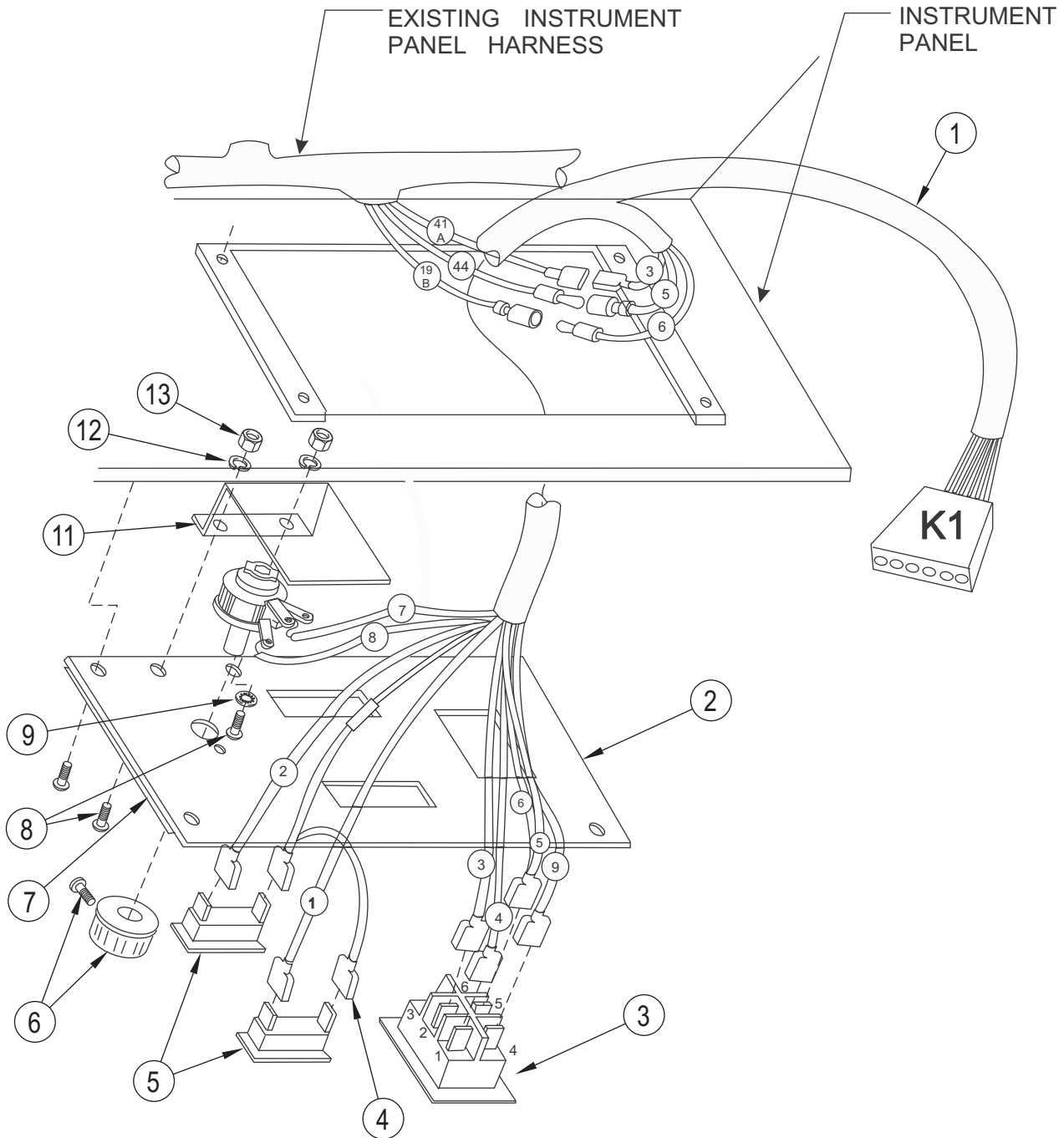
5/2009	<b>ESP OPTION [DETERGENT &amp; SOLUTION TANK]</b>		
6/2017	<b>7765</b>		<b>185</b>

<u>Item</u>	<u>Ref. No.</u>	<u>Qty</u>	<u>Description</u>
			ESP Option (Detergent and Solution Tank) ( <b>OBSOLETE</b> )
1	7-87-02129	1	Hose
2	2-00-04685	4	1/4-20 X 0.75" Hex Head Screw, SS
3	2-00-05003	1	Pipe Thread Reducer .25 To .13
4	2-00-05035	1	Fitting, 1/4 Npt X 1/8 Npt, Street Elbow,90
5	2-00-04654	2	Fitting, 1/4 Npt X 3/8 Hose Barb, 90
6	2-00-05022	1	Fitting Tee 1/4 NPT
7	2-95-04268	2	Elbow-St-Galv .75 90 Deg
8	2-00-05674	1	Ftg-1/4NPT Nipple Brass
9	2-00-05346	1	Fitting, Bulkhead ( Detergent Tank)
10	7-25-02080	1	Fitting, Bulkhead (Detergent Float)
11	2-74-00001	3	Fitting-Plastic
12	7-25-02052	1	Fitting 3/4 Pipe To 3/4 Barbed
13	7-87-02147	2	Tube-Detergent Feed
14	7-13-07084	5	Hose Clamp
15	2-00-03407	1	Hose Clamp- Witteck #10p
16	2-00-04688	4	Nut - 1/4-20 Hex
17	7-81-00187	1	Support, Detergent Tank
18	7-82-00017	2	Switch, Liquid Level
19	7-83-04162	1	Tank, Detergent
20	2-00-04689	4	Washer, 11/16 OD X .260 ID X .050 Thk
21	56900737	2	Washer, Sealing
22	2-00-04687	2	Washer-Lock, 1/4" Helical Spring
23	7-33-02328	1	Hose



5/2009	<b>ESP OPTION [RECOVERY TANK &amp; DETERGENT PUMP]</b>		
6/2017	<b>7765</b>		<b>187</b>

<u>Item</u>	<u>Ref. No.</u>	<u>Qty</u>	<u>Description</u>
			ESP Option (Recovery Tank & Detergent Pump) <b>(OBSOLETE)</b>
1	7-24-04022	1	Solution Inlet Filter
2	2-95-04268	1	Elbow, Street 3/4 NPT
3	2-00-04736	1	Fitting, 3/4 NPT Connector
4	2-00-05015	2	Sealing Washer
5	2-00-05014	2	O-Ring Seal
6	56004012	1	Washer-Flat 2.000 X 1.063 X .125 SST
7	2-00-04469	1	Fitting, 90° Elbow
8	2-95-02518	1	Fitting, 3/4 NPT Close Nipple
9	2-00-04608	1	Fitting, 3/4 NPT Coupling
10	2-00-04751	1	Fitting, 90° Swivel Elbow
11	2-00-03407	3	Clamp
12	7-33-02329	1	Hose, Pump to Recovery Tank
13	2-00-01246	6	Nut, 10-24 Hex
14	7-60-05025	1	Pump, ESP
*	56383084	1	Pump ESP <b>(pump for 7-60-05025)</b>
*	56383085	1	Port Kit <b>(elbows for 7-60-05025)</b>
15	2-00-00426	6	Flat Washer
16	2-00-00089	4	Screw, 10-24 x 1.500 RHM
17	7-33-02328	1	Hose, Pump to Solution Tank
18	8-75-01207	2	Spacer
19	7-60-05031	1	Pump, Peristaltic Metering
20	2-00-05056	2	Screw, 10-24 x 2.00 SHC
21	2-00-05412	2	Fitting, Union-Reducer Connector
22	7-87-02147	2	Detergent Feed Tube 18"
23	2-00-05363	1	Hose Clamp
24	2-00-04655	1	Fitting, 90°
25	2-00-03261	1	Grommet
26	56002708	1	Nut, Fiber
27	2-00-03702	2	Washer, Flat
28	2-00-00828	2	Terminal
29	2-00-01490	1	Screw





5/2009

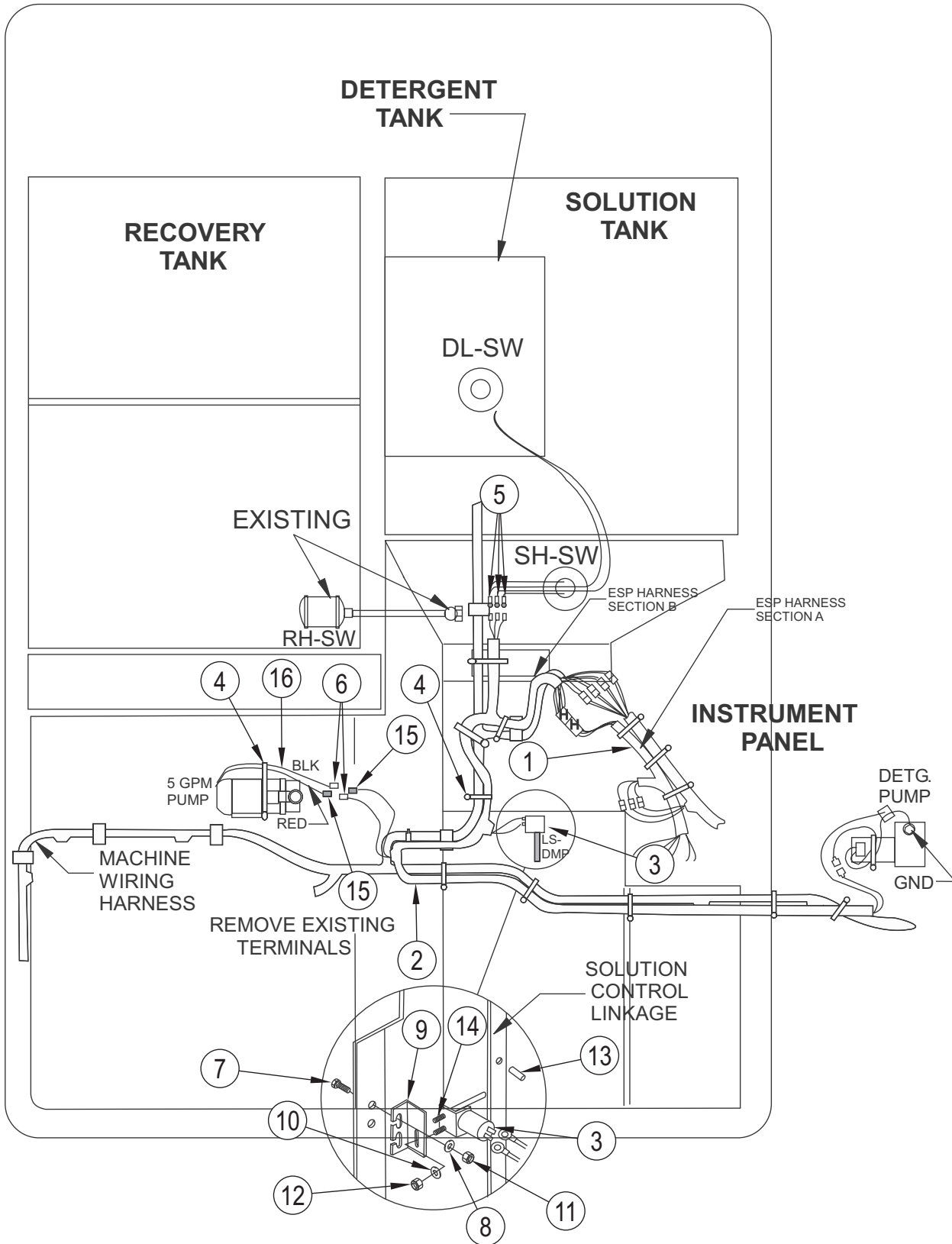
ESP OPTION [INSTRUMENT PANEL]

2/2013

7765

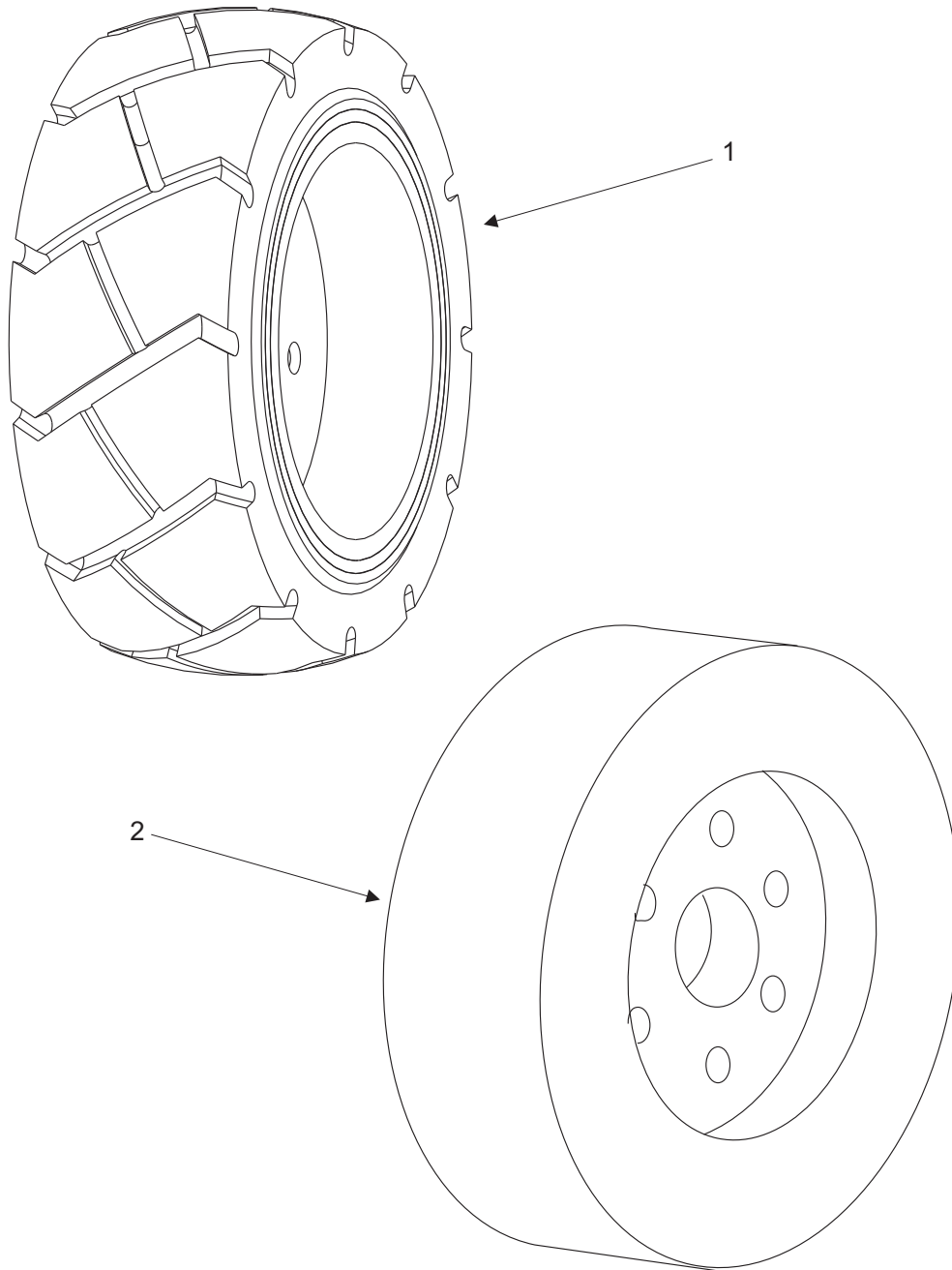
189

<u>Item</u>	<u>Ref. No.</u>	<u>Qty</u>	<u>Description</u>
			ESP Option (Instrument Panel) <b>(OBSOLETE)</b>
1	0795-114	1	ESP Wiring Harness
2	56514865	1	ESP Instrument Panel
3	7-82-00022	1	DPS ON/OFF Switch
4	7-90-07233	1	Wire Assembly, Gr. for Detergent Low & Solution High
5	7-40-05028	2	Light
6	7-39-00021	1	Knob
7	7-18-00136	1	Decal, Detergent Flow
8	2-00-03061	2	Screw, 10-24 x .50
9	2-00-02296	2	Lock Washer, 10 Ext.
11	7-30-05057	1	Guard, Rheostat
12	2-00-00512	2	Lock Washer
13	2-00-01246	2	Nut, Hex 10-24



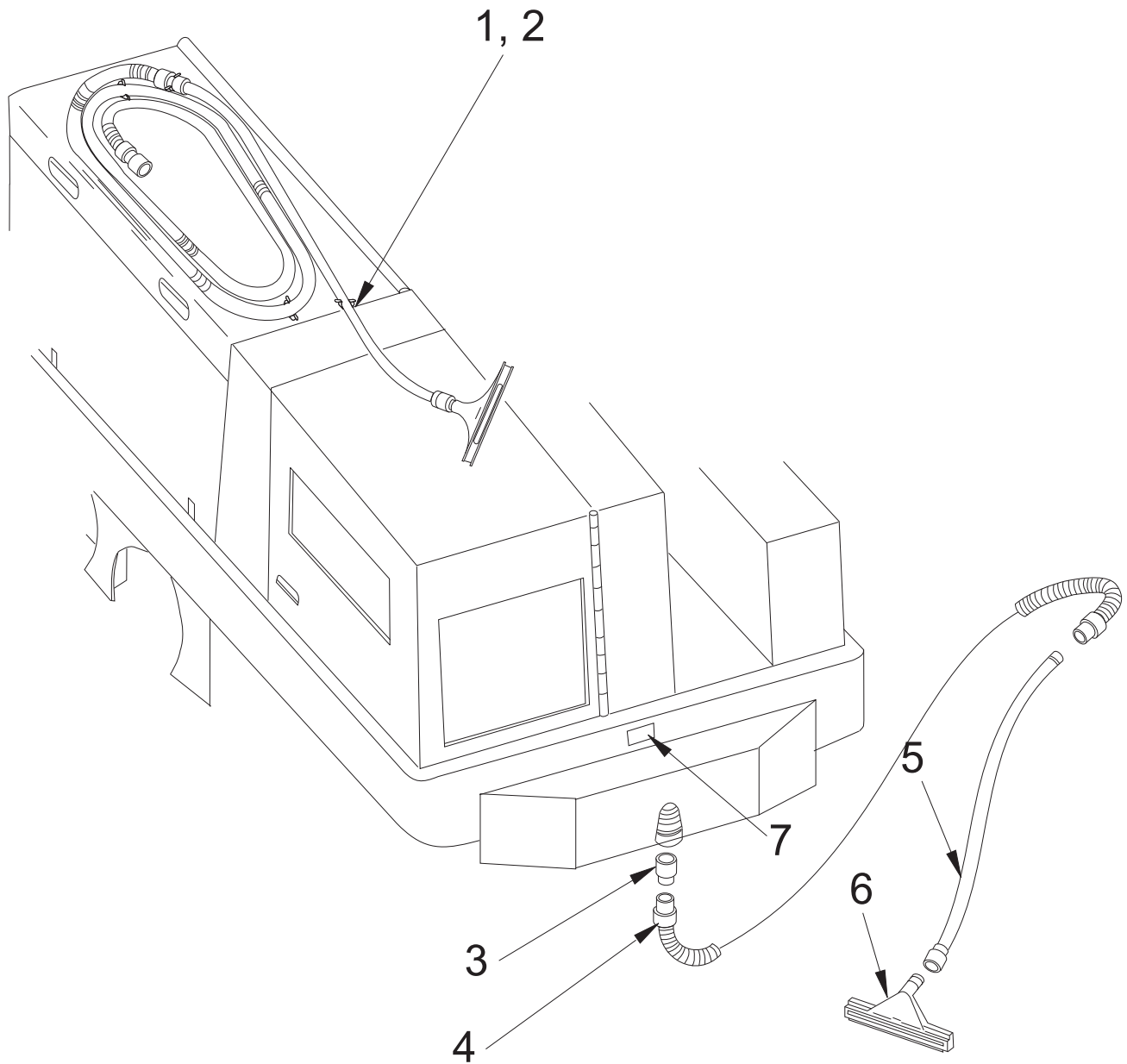
5/2009	<b>ESP OPTION [WIRING]</b>			
6/2017	<b>7765</b>			<b>191</b>

<u>Item</u>	<u>Ref. No.</u>	<u>Qty</u>	<u>Description</u>
			ESP Option (Wiring) <b>(OBSOLETE)</b>
1	0795-114	1	ESP Wiring Harness, Section A
2	0795-114	1	ESP Wiring Harness, Section B
3	8-82-00036	1	LS - DMP Switch
4	56478246	9	Wire Tie
5	2-00-04551	3	Terminal, .156 Male
6	2-00-03418	2	Terminal, .250 FISO Female
7	2-00-03575	2	Carriage Bolt
8	2-00-00407	2	Flat Washer, .562 x .265 x .062
9	8-08-00532	1	Bracket
10	2-00-00426	2	Flat Washer, .500 x .218 x .062
11	56002708	2	Nut-Ins-Fiber 1/4-20 ZN PL
12	56002768	2	Nut, Hex Nyl Loc 10-24
13	2-00-04749	1	Roll Pin .125 x 1.375
14	2-00-03059	2	Screw, 10-24 x .375 THM
15	8-11-00015	2	Terminal, .250 FISO
16	3-61-02014	1	Conduit

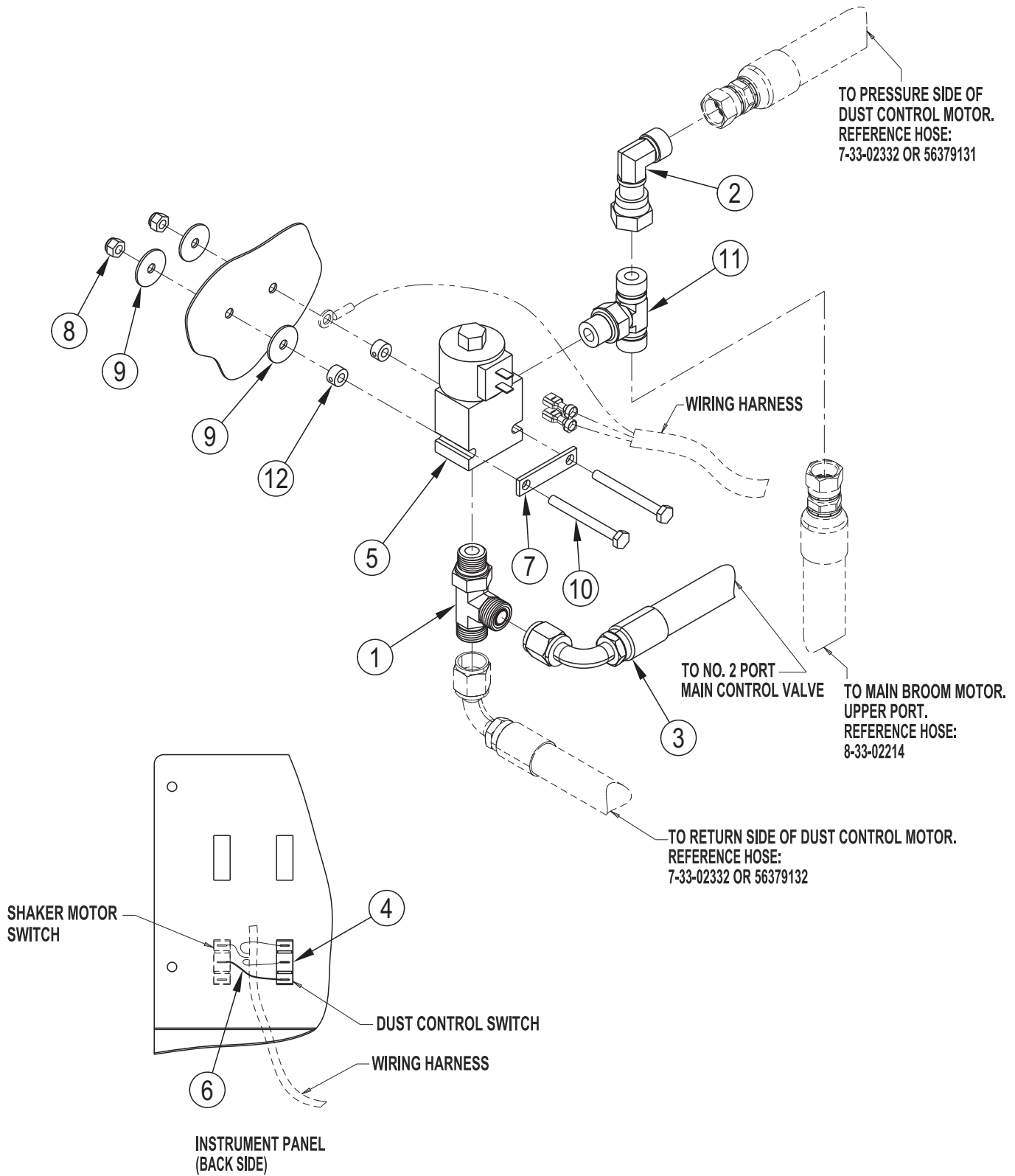


Item	Ref. No.	Qty	Description
1	0780-711	1	Tire, Rear Wheel Non Marking
[ ]	56380882	1	Directional Rear Wheel Kit
[ ]	7-85-06008	1	Tire, Rear Wheel (Hvy Duty Option)
[ ]	56504483	1	Tire, Rear Wheel (Directional) <b>TSBUS2008-1006</b>
2	0780-098	2	Front Tire, Urethane (7-89-08043 tire)

[ ] = Not Shown

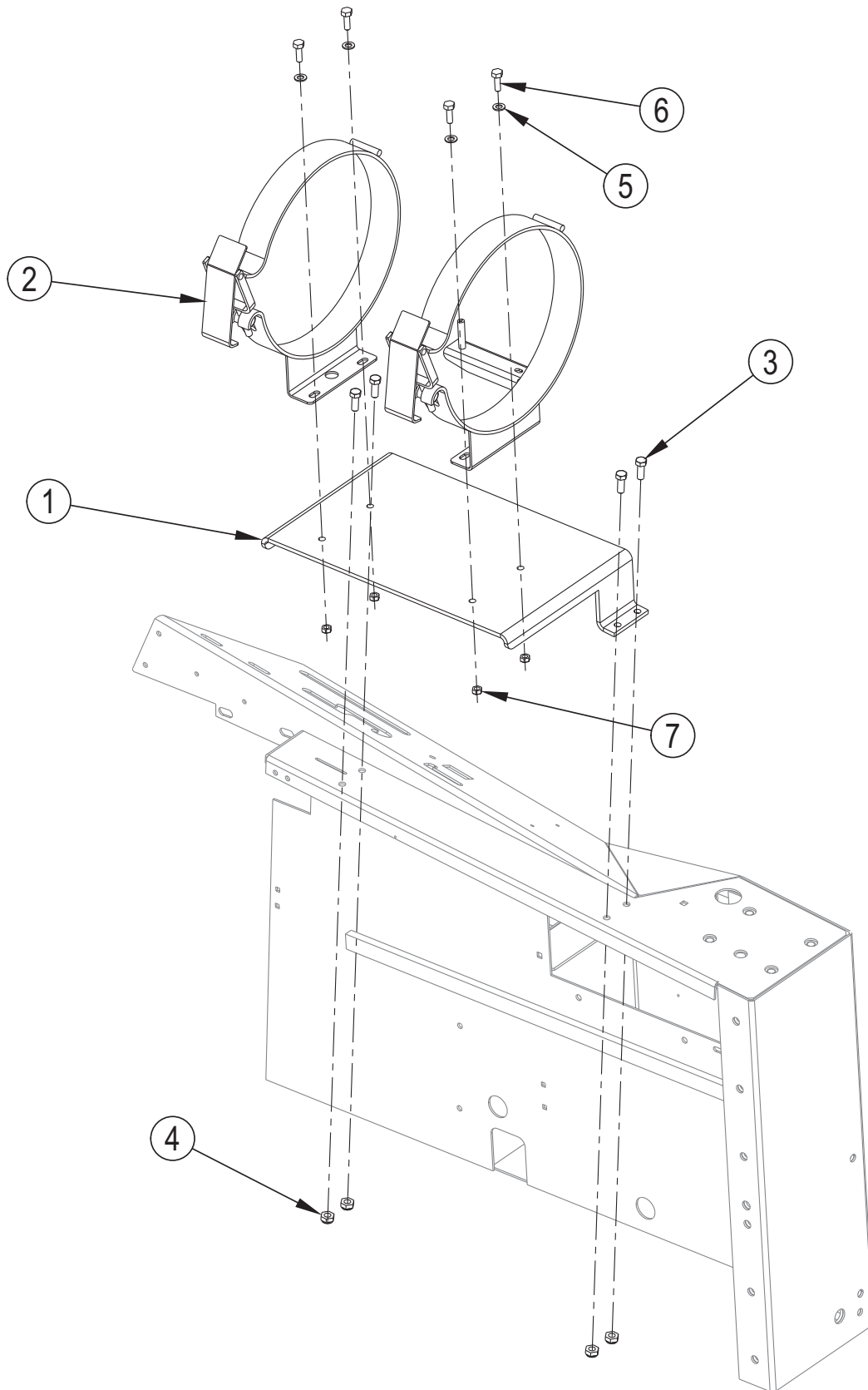


Item	Ref. No.	Qty	Description
	0780-382		Vacuum Wand Option
1	7-13-07097	10	Clip
2	2-00-04312	10	Screw, 10 - 24 x .625 T/C HH
3	7-03-00040	1	Adapter
4	634118	1	Clarke Hose
5	639804	1	Clarke 1 1/2" Wand Assembly
6	638828	1	14" Squeegee
7	7-18-00121	1	Decal, Warning



5/2009	<b>WET SWEEP BYPASS OPTION</b>		
6/2017	<b>7765</b>		<b>195</b>

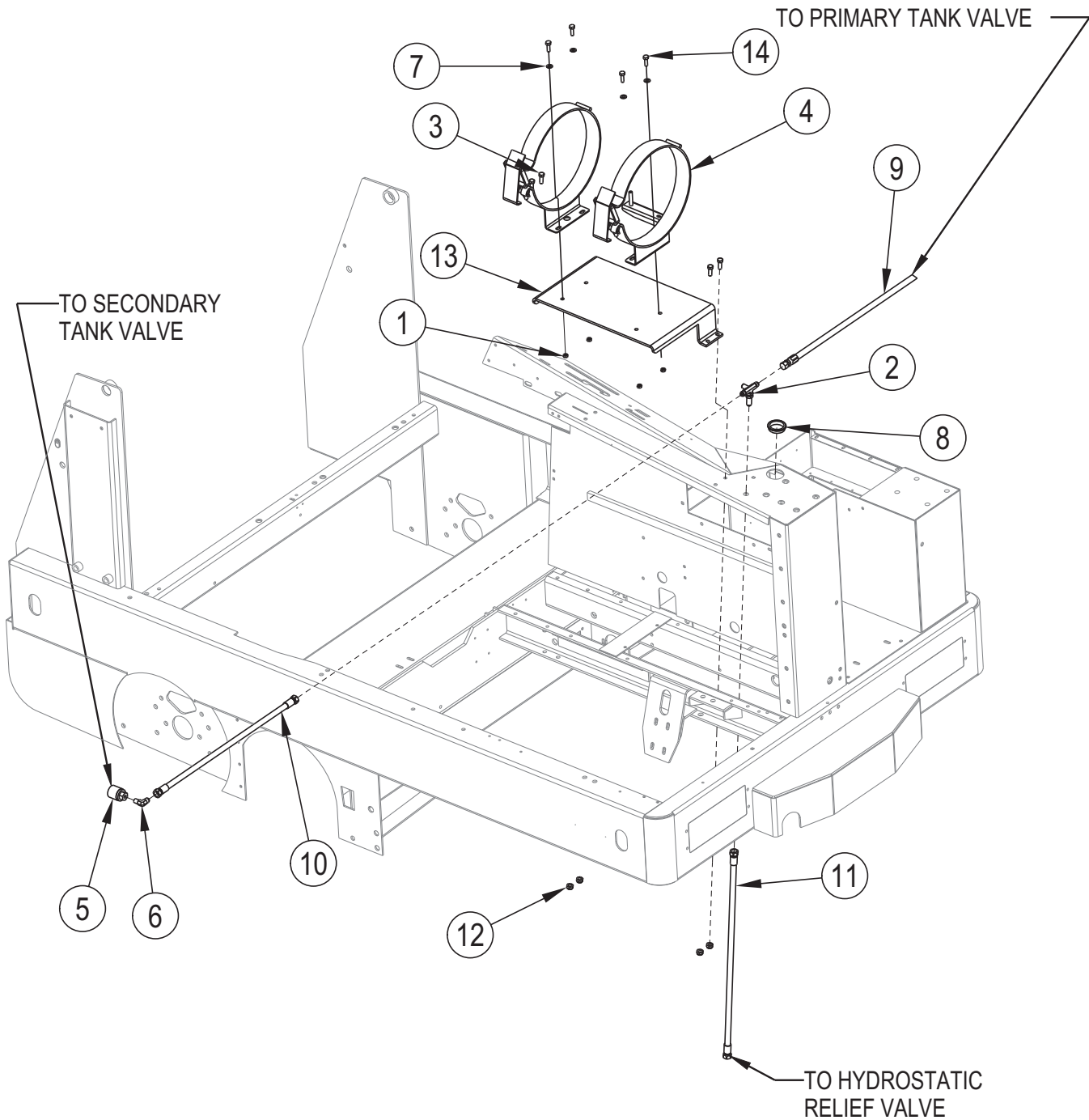
<u>Item</u>	<u>Ref. No.</u>	<u>Qty</u>	<u>Description</u>
	0780-381		Wet Sweep Bypass Option
1	2-00-04924	1	Fitting- 3/4-16 X 13/16-16 Tee
2	2-00-05046	1	Fitting, -8 Ors Swivel 90° Elbow
3	7-33-02205	1	Hose Hyd-8 Ors Str To 90
4	56384050	1	Switch Spdt On-Off
5	7-88-00038	1	Valve, Solenoid No
6	7-90-07228	1	Wire - Dust Vac Option
7	8-08-00590	1	Bracket, Solenoid Valve
8	56002708	2	Nut, Fiber Insert 1/4-20
9	2-00-01676	3	Wshr-Flat, 1.063x.266x.063 Stl.
10	2-00-01980	2	14-20 X 2.5 Lg
11	2-00-04978	1	Fitting-Hyd 8ors Branch Tee
12	7-15-01031	2	Collar-Clamp





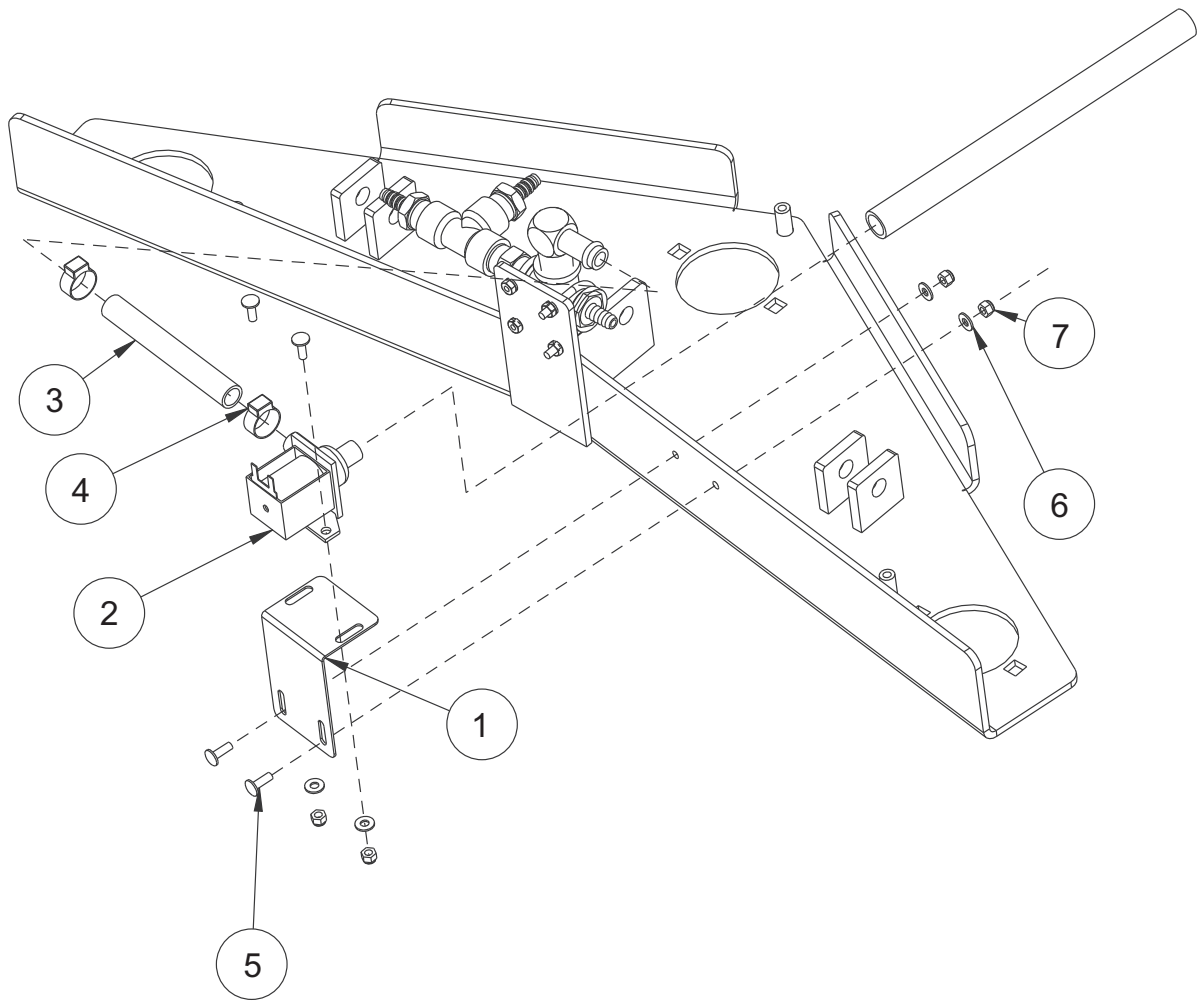
5/2009	<b>AUXILIARY LP TANK OPTION</b>		
6/2017	<b>7765</b>		<b>197</b>

<b>Item</b>	<b>Ref. No.</b>	<b>Qty</b>	<b>Description</b>
	56514879		Auxiliary LP Tank Option
1	56514909	1	Plate, Bracket Mounting
2	7-08-00059	1	Bracket, Tank Mounting
3	56002663	4	Bolt, 3/8-16 x 1.0 Fin. Hex Head
4	56002841	4	Nut, 3/8-16 Elastic Lock
5	2-00-00409	4	Flat Washer, .687 x .344 x .062
6	2-00-02708	4	Screw, 5/16-18 x 1.0 Hex Head
7	2-00-00644	4	Nut, Hex, Insert Fiber, 5/16-18

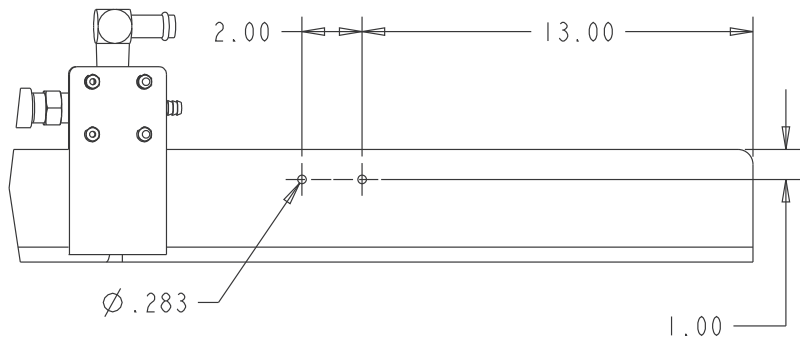


5/2009	<b>DUAL FEED LP TANKS OPTION</b>		
6/2017	<b>7765</b>		<b>199</b>

<u>Item</u>	<u>Ref. No.</u>	<u>Qty</u>	<u>Description</u>
	56514862		Dual Feed LP Tanks Option
1	56002701	4	5/16-18, Hex Nut
2	7-88-00129	1	Valve, Dual Tank Check
3	56002663	4	Bolt-Hex Head, Finished, 3/8-16 X 1.00
4	7-08-00059	1	Bracket, Tank Mounting
5	56369675	1	Coupling, Lp Tank, Acme Rego 7141f
6	8-56-05023	1	Fitting, 45 Flare Elbow, 1/4 Npt
7	2-00-00409	4	Flat Washer, .687 X .344 X .062
8	8-09-01077	1	Grommet
9	7-33-02741	1	Hose, Lp High Pressure 72"
10	7-33-02718	1	Hose, Lp High Pressure, 24"
11	7-33-02719	1	Hose, Lp High Pressure, 28"
12	56002841	4	Locknut-Elastic, 3/8-16
13	56514909	1	Plate, Bracket Mounting
14	2-00-02708	4	Screw, Hex Head, 5/16-18 X 1.00"



0780-729



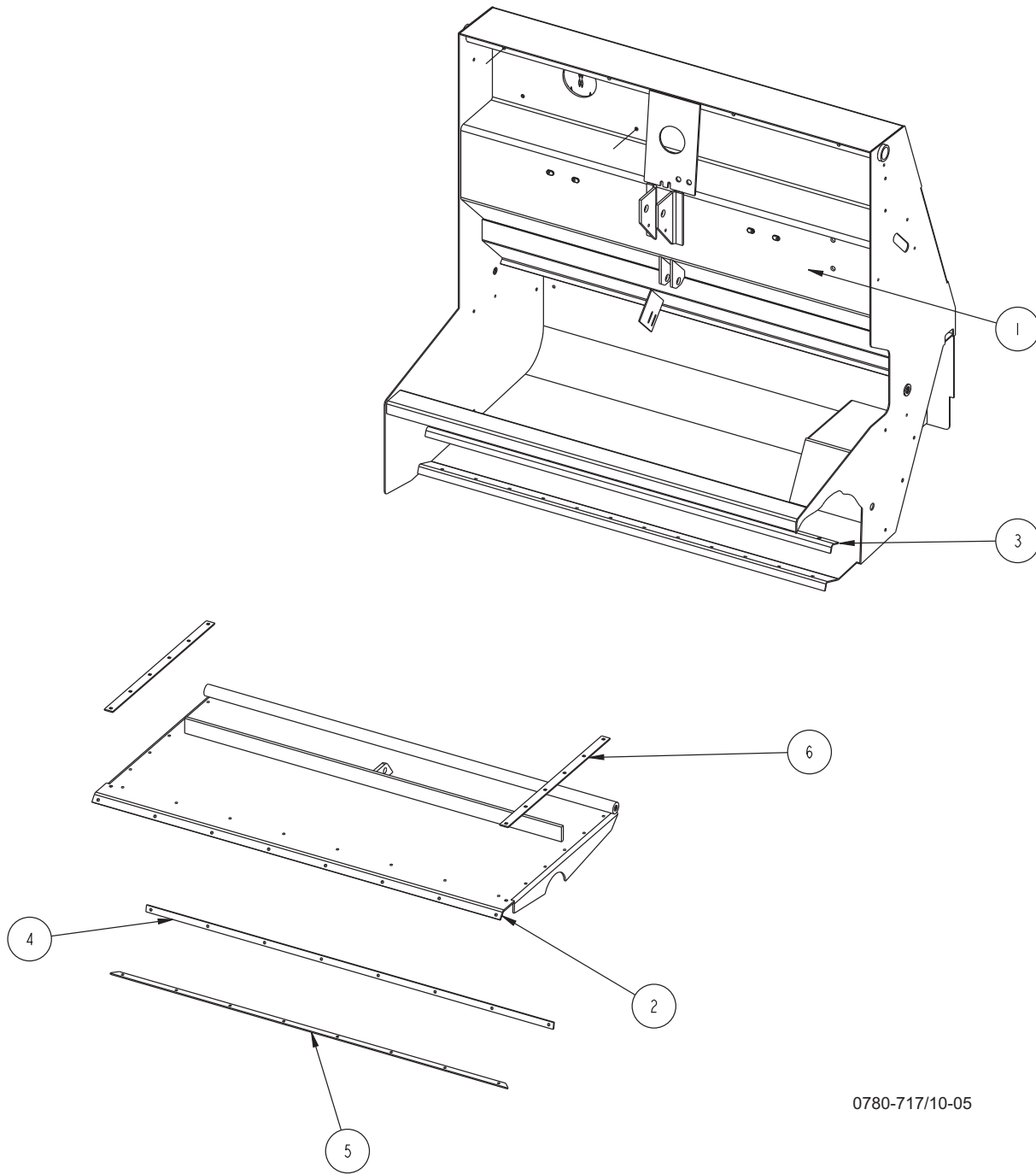
5/2009

**SOLUTION OFF IN NEUTRAL OPTION**

6/2017

**7765****201**

<b>Item</b>	<b>Ref. No.</b>	<b>Qty</b>	<b>Description</b>
	0780-729		Solution Off In Neutral Option
1	7-08-01334	1	Valve, Bracket
2	7-88-00088	1	Valve, Solution (12VDC)
3	7-33-02443	1	Hose, Solution Tube 1/2" ID x 6.2
4	2-00-03407	2	Clamp, Hose (Witteck 10P)
5	2-00-00183	4	Screw, 1/4-20 Round Head
6	2-00-03702	4	Washer, .625 x .281 x .063
7	56002708	4	Nut, 1/4-20 Fiber Insert



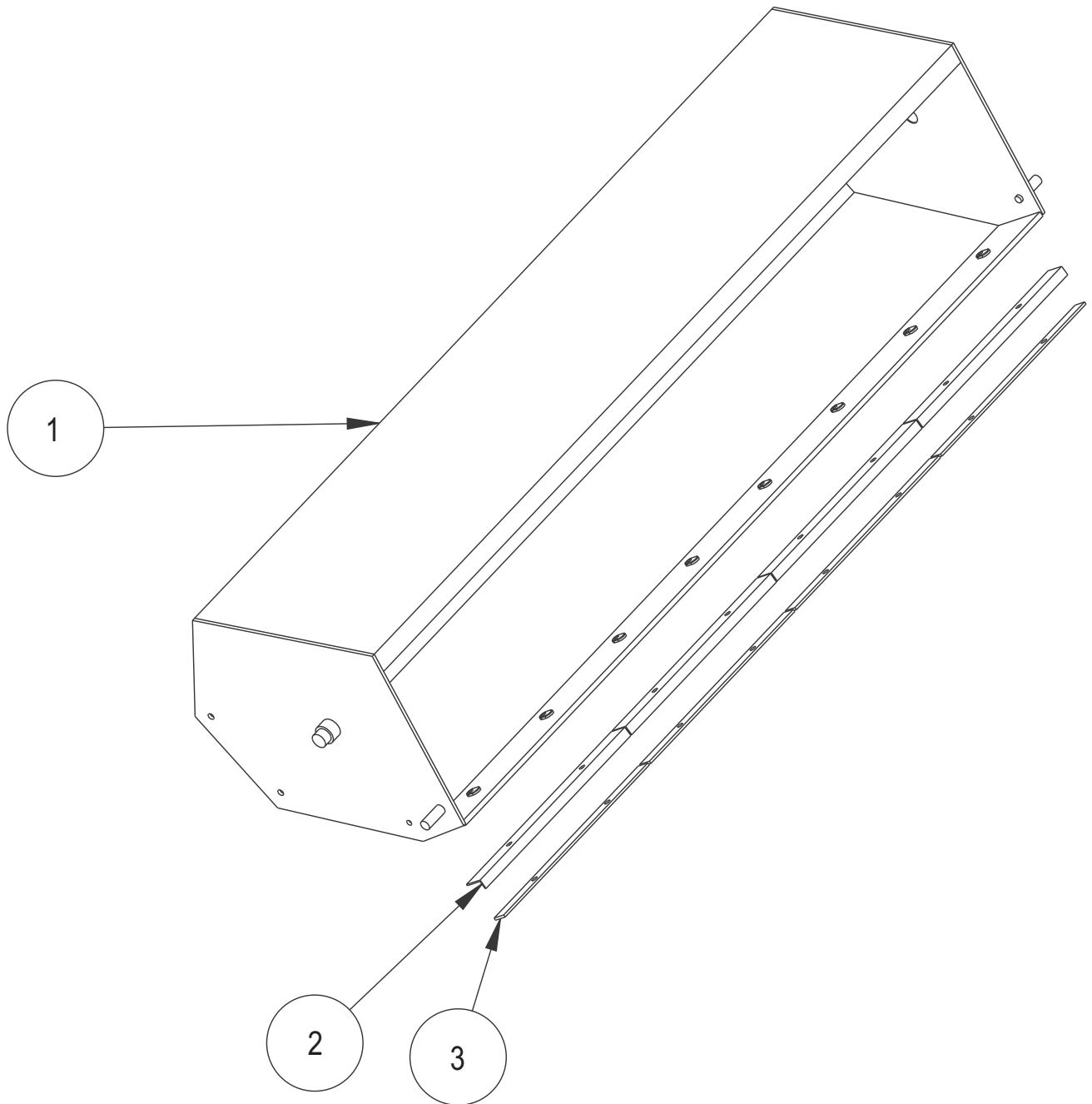
0780-717/10-05

Item	Ref. No.	Qty	Description
	56514878		Stainless Steel Variable Dump Hopper Option
1	56514907	1	Hopper, Stainless Steel
2	56514908	1	Door, Hopper Dump
3	56514891	1	Clamp, Hopper Flap
4	56514889	1	Strap, Outer Seal
5	56514890	1	Strap, Inner Seal
6	56514892	2	Clamp, Door Side Seal

5/2009

**STAINLESS STEEL MANUAL DUMP HOPPER OPTION**

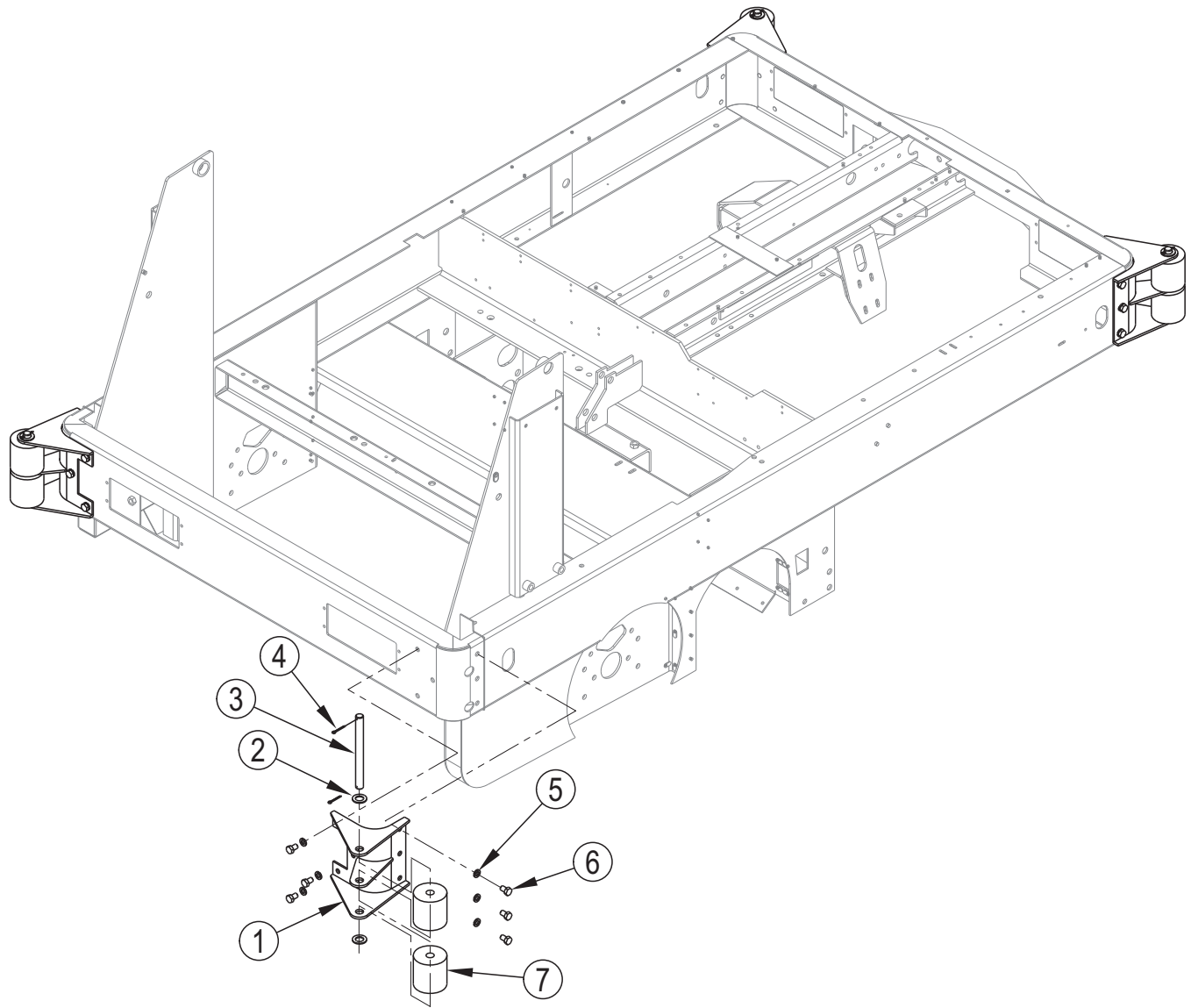
6/2012

**7765****203**

<b>Item</b>	<b>Ref. No.</b>	<b>Qty</b>	<b>Description</b>
			Stainless Steel Manual Dump Hopper Option
1	56514912	1	Hopper, Stainless Steel
2	7-13-07169-1	4	Clamp, Hopper Flap
3	7-79-00091-1	4	Strap, Hopper Flap

**NOTE:** This option is now obsolete.

FORM NO. 56042525





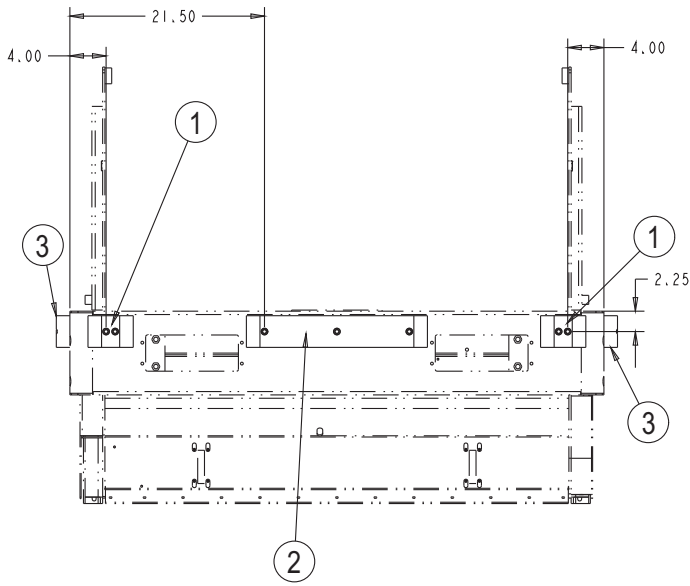
5/2009

**EXTENDED BUMPERS OPTION**

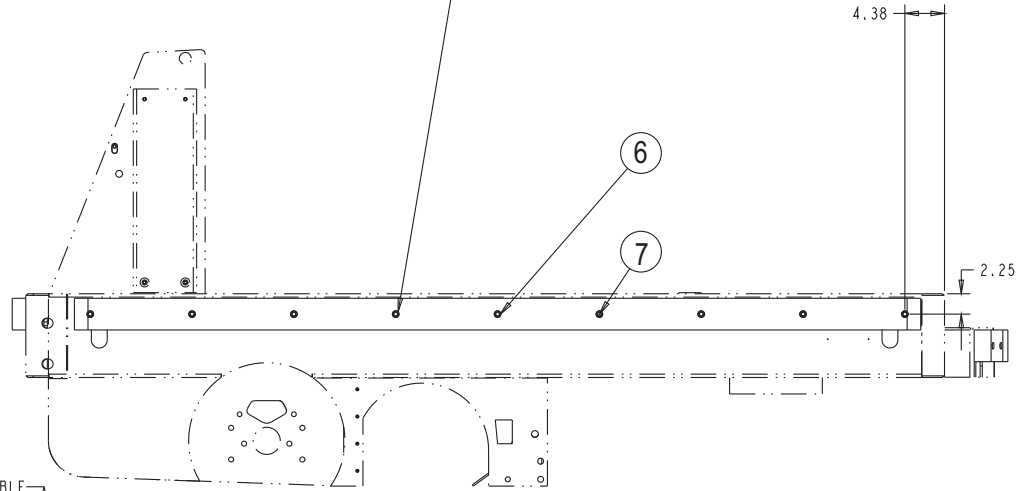
4/2014

**7765****205**

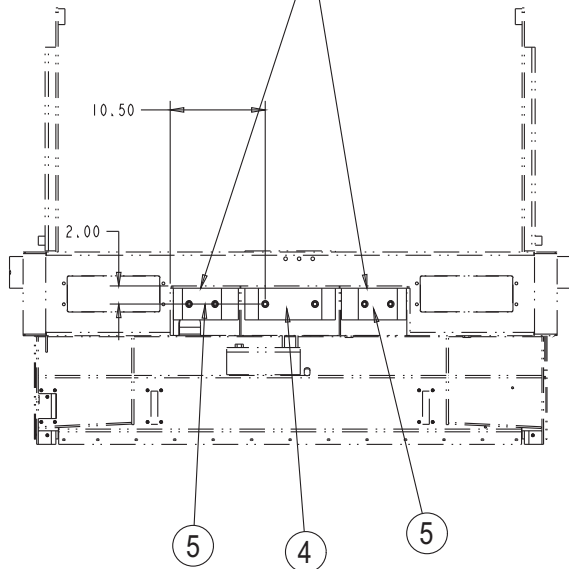
<u>Item</u>	<u>Ref. No.</u>	<u>Qty</u>	<u>Description</u>
	0780-723		Extended Bumpers Option
1	7-08-01331	4	Bracket, Bumper Mount
2	56003791	8	Wsh Flt SS .875 X 1.50 X .105
3	7-70-05206	4	Shaft, Bumper
4	2-00-00776	8	Cotter Pin (1/8 dia. x 1.5" long)
5	2-00-02312	24	Lock Washer, 1/2"
6	2-00-02676	24	Screw, 1/2-13 x 3/4
7	7-66-05009	8	Roller, Bumper



USE BUMPERS AS TEMPLATE FOR REMAINING SCREW LOCATIONS  
DRILL .187 THRU PILOT HOLE (31 PLACES)

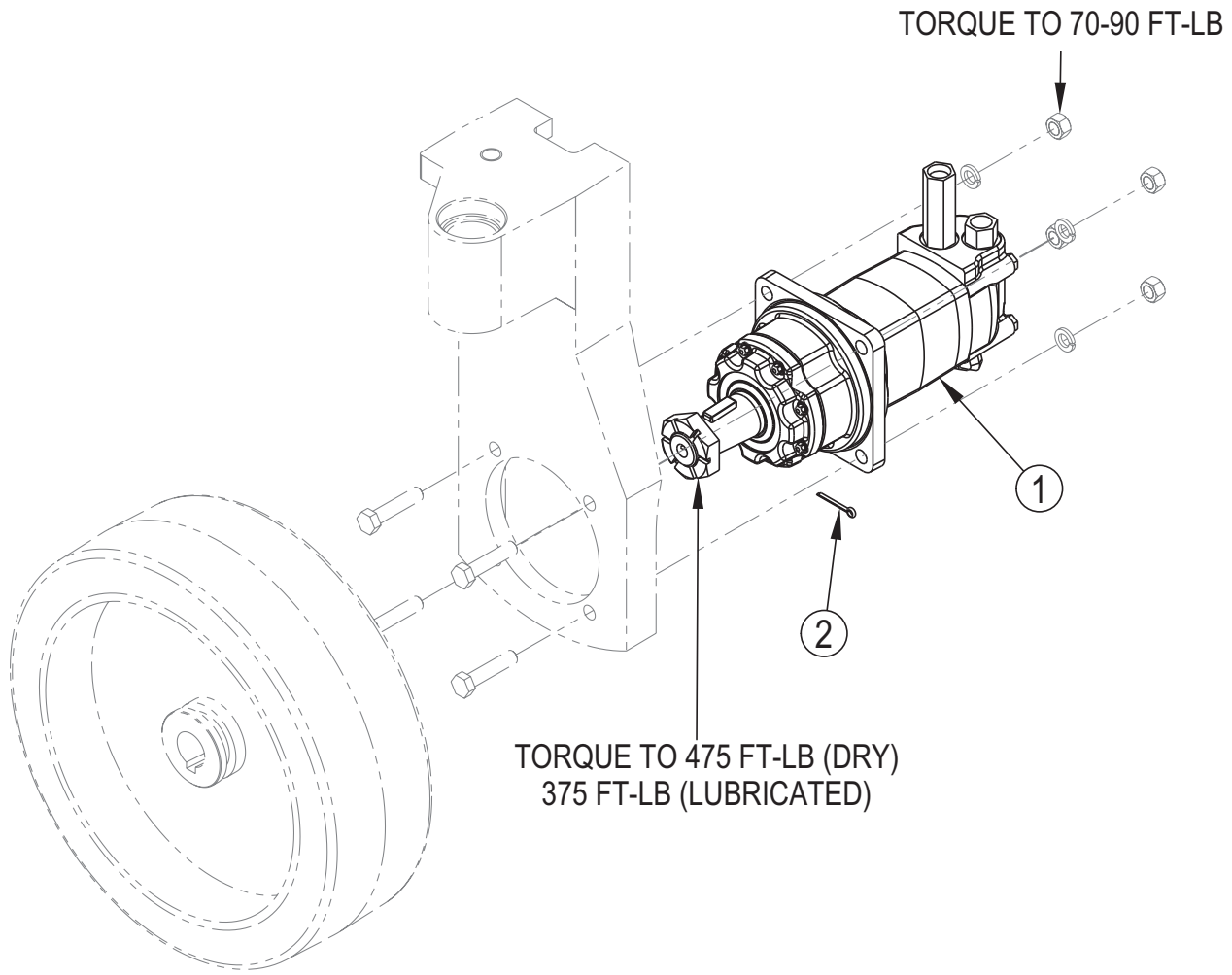


CENTER BUMPERS ON SPACE AVAILABLE

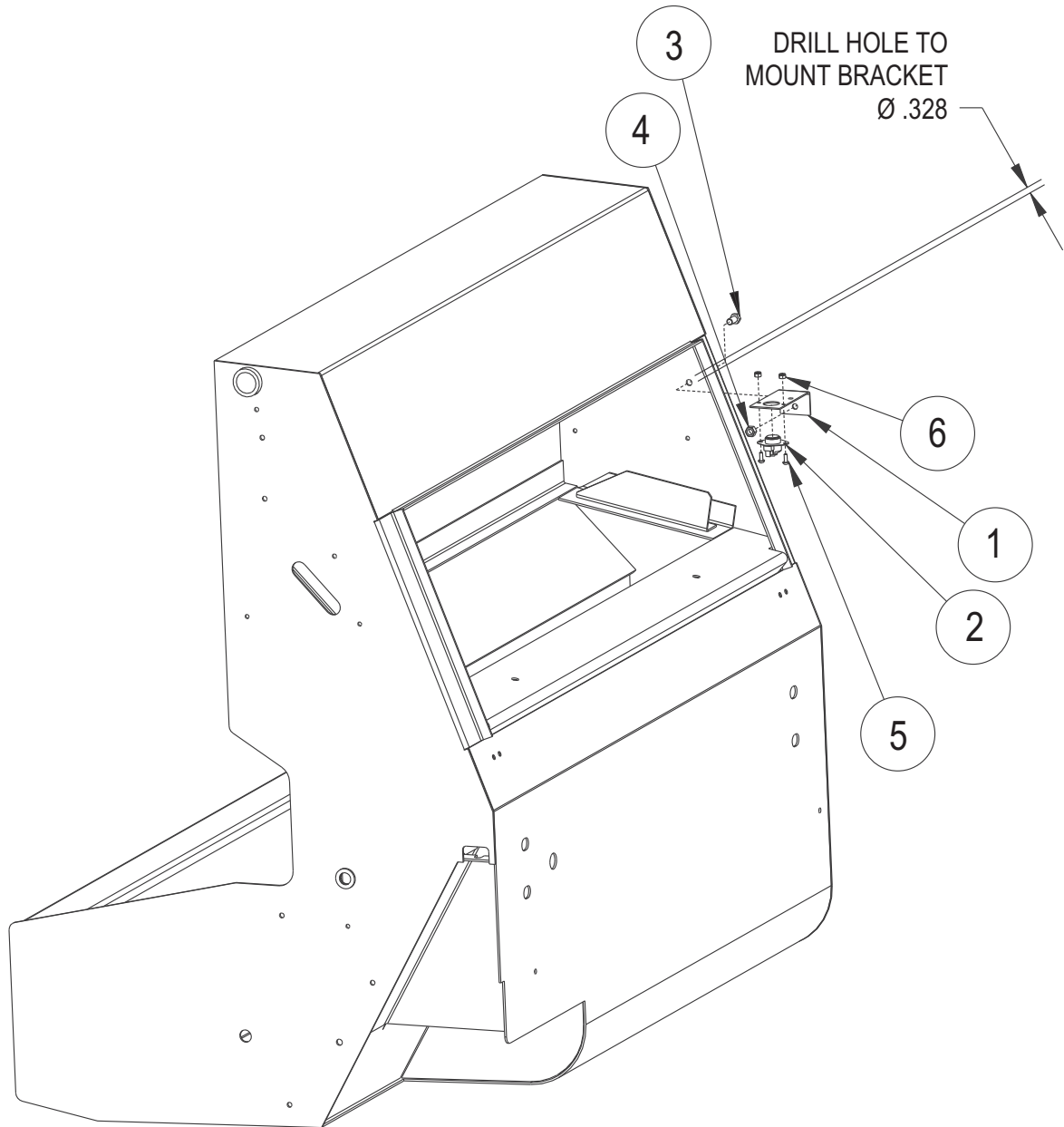


5/2009	<b>WRAP-AROUND BUMPERS OPTION</b>		
2/2013	<b>7765</b>		<b>207</b>

<b>Item</b>	<b>Ref. No.</b>	<b>Qty</b>	<b>Description</b>
			Wrap-Around Bumpers Option ( <b>OBSOLETE</b> )
1	7-08-07129	2	Bumper, Poly, 5"
2	7-08-07126	1	Bumper, Poly, 20"
3	7-08-07125	2	Bumper, Poly, 93.5"
4	7-08-07127	1	Bumper, Poly, 10"
5	7-08-07128	2	Bumper, Poly, 7.5"
6	2-00-00409	31	Flat Washer, .687 x .344 x .062
7	2-00-06556	31	Screw, 1/4-20 x 2.0

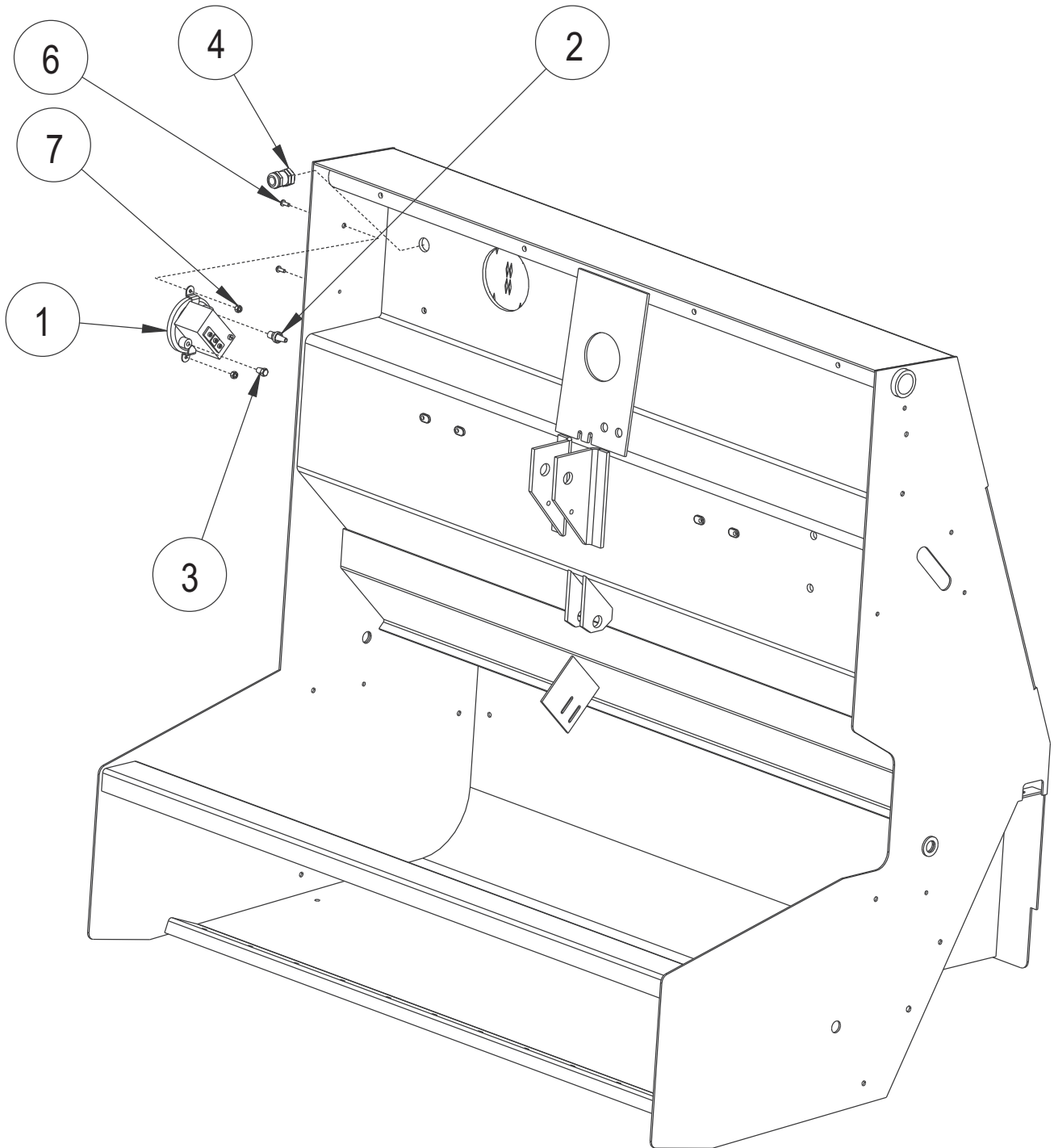


Item	Ref. No.	Qty	Description
	0780-710		High Torque Drive Wheel Motor Option
1	56109737	1	Wheel Motor Kit
2	2-00-00776	1	Cotter Pin, 1/8 dia. x 1.5" long



Item	Ref. No.	Qty	Description
	0780-727		Hopper High Temp Shutdown Option
1	8-08-00803	1	Bracket, Thermostat Switch
2	56418405	1	Switch Temperature
3	56002127	1	Scr Hex 3/8-16 X .75
4	56002769	1	Nut Hex Nyl Loc 3/8-16
5	2-00-00049	2	Screw, 10-24 x 1/2 RHM
6	56002768	2	Nut Hex Nyl Loc 10-24
[ ]	56383156	1	Decal-Hopper Fire

[ ] = Not Shown



5/2009

**CLOGGED FILTER INDICATOR OPTION**

12/2012

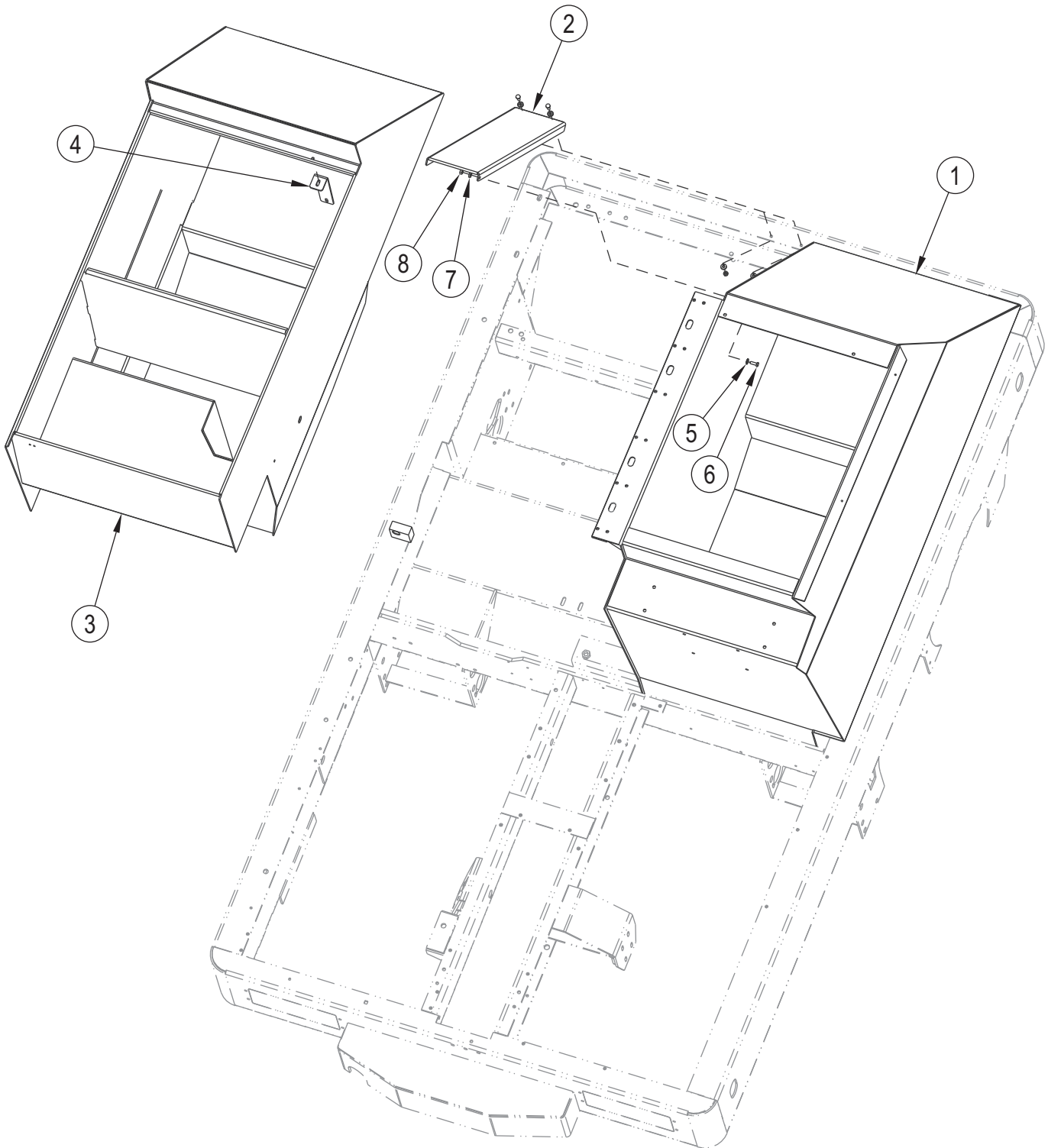
**7765****211****Item Ref. No. Qty Description**

<b>Item</b>	<b>Ref. No.</b>	<b>Qty</b>	<b>Description</b>
	0780-728		Clogged Filter Indicator Option
1	8-63-05014	1	Regulator, Differential Pressure Switch
2	2-00-04518	1	Fitting, 1/8 NPT Barbed End
3	8-24-04075	1	Filter, Vent Plug
4	8-09-01083	1	Connector, Bulkhead
5	7-87-02155	1	Hose
6	2-00-00049	2	Screw, 10-24 x 1/2 RHM
7	2-00-01246	2	Nut, 10-24 Elastic Stop
[ ]	56383155	1	Decal-Hopper Filter

On Control Panel (not shown):

[ ]	56305660	1	Light, Red LED Indicator
-----	----------	---	--------------------------

[ ] = Not Shown



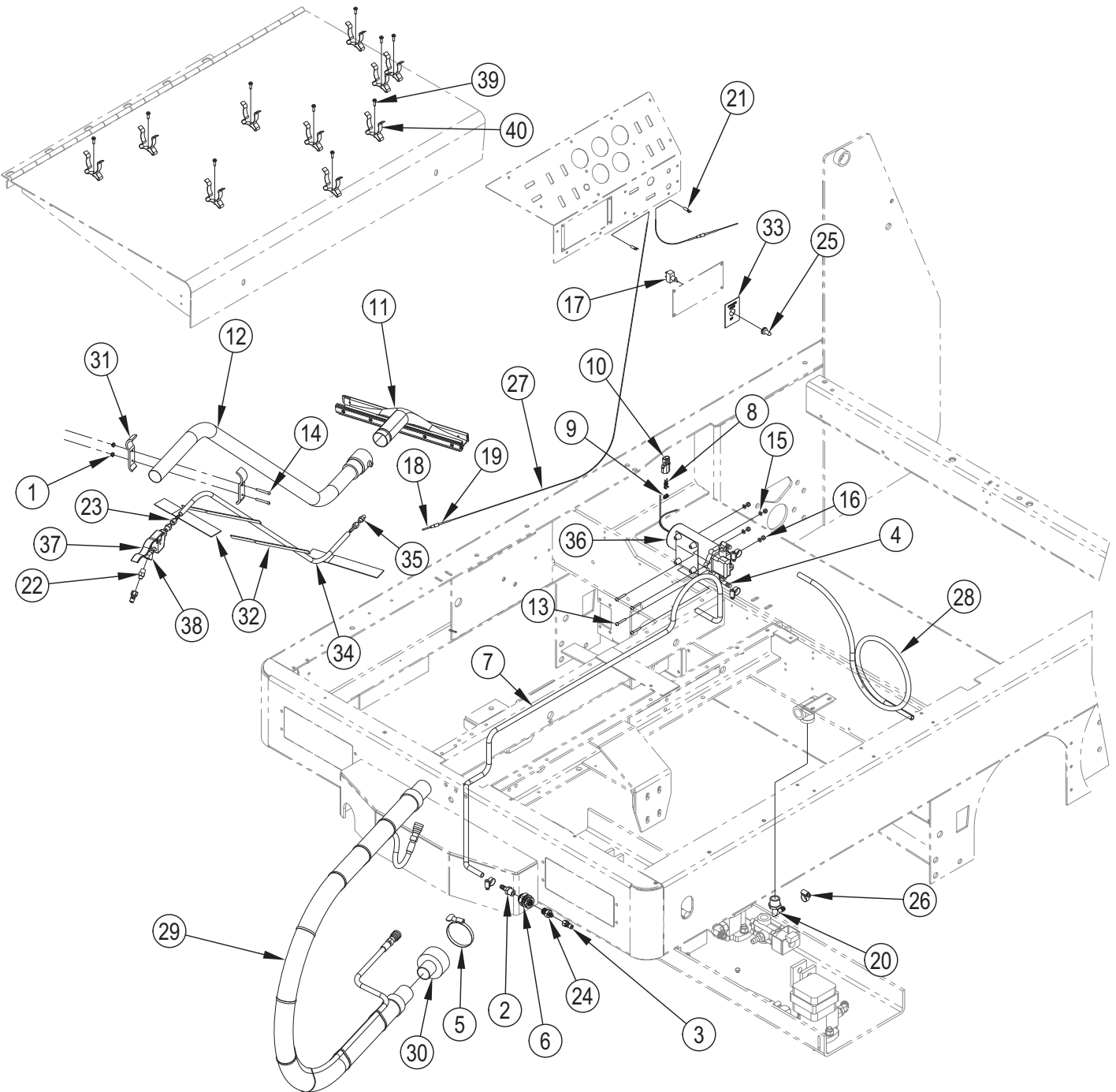


5/2009	<b>125 GALLON SOLUTION &amp; RECOVERY TANKS OPTION</b>		
6/2017	<b>7765</b>		<b>213</b>

<u>Item</u>	<u>Ref. No.</u>	<u>Qty</u>	<u>Description</u>
	56514880		125 Gallon Solution & Recovery Tanks Option (Manual Dump Only)
1*	56514911	1	Solution Tank
2	56514919	1	Bracket, Filler
3*	56514913	1	Recovery Tank
4<	7-08-01338	1	Support, Debris Basket
5	56900737	3	Washer, Sealing
6	2-00-04685	3	Screw, 1/4-20 x 3/4 SS Hex Head
7	2-00-04687	3	Lock Washer, 1/4 Helical Spring
8	2-00-04688	3	Nut, 1/4-20 Hex

\*In lieu of standards 56514775 & 7-83-04168

<Required only if equipped with debris basket (Option 0780-236)



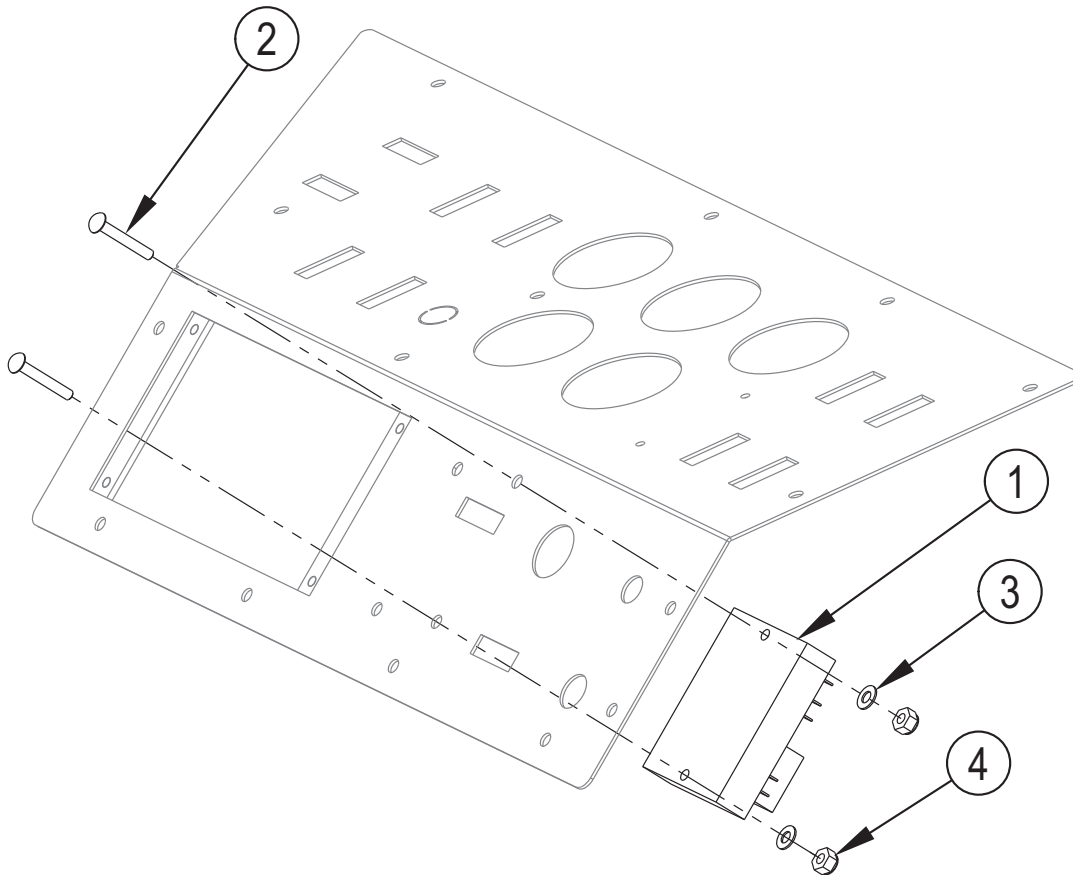
5/2009

**POWER SPRAY WAND OPTION**

6/2017

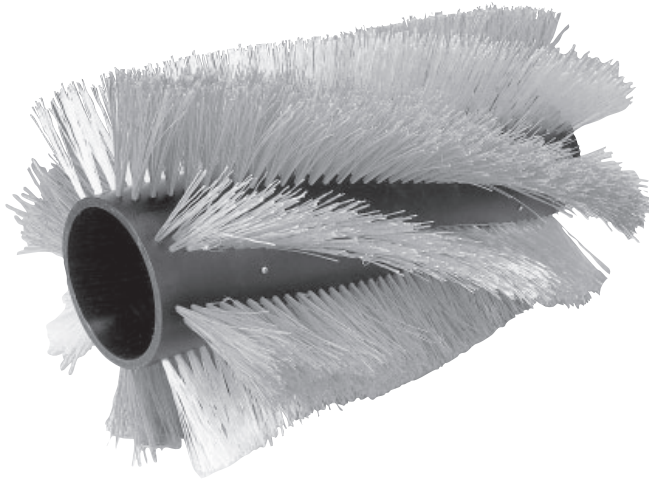
**7765****215**

<b>Item</b>	<b>Ref. No.</b>	<b>Qty</b>	<b>Description</b>
	0780-378		Power Wand Option
1	56003053	2	Nut, Hex Nyl Loc-Thin 10-32
2	56054691	1	Barb, Adapter 3/8 X 3/8 Npt
3	56220055	2	Plug
4	56382545	2	Barb, 90 Elbow 3/8 X 3/8npt
5	56382892	1	Clamp Turn Key Hose
6	56383097	1	Bulkhead Fitting 3/8 Npt
7	56383131	1	Hose Solution 3/8 X 75
8	56459264	2	Terminal, Weather Pack, Male
9	56462074	2	Seal Green
10	56462360	1	Connector, W.P., Male, 2-Way
11	722030	4	Clamp-Hose
12	638828	1	Tool Assembly
13	639804	1	Wand Assembly
14	2-00-00071	4	SCREW #10-24 X 1.25 Lg
15	2-00-00089	2	Screw #10-24 X1.5 Lg, Rhm
16	2-00-00460	4	Washer-Flat .438 X .192 X .031
17	2-00-01246	4	Nut-#10-24 Elastic Stop Nut
18	2-00-03499	1	Switch, Toggle, On-Off
19	2-00-04578	2	Terminal (.156 Male)
20	2-00-04626	2	Terminal (.156 Female)
21	2-00-04655	1	Fitting-90\$ Elbow (Nylon)
22	2-00-04808	2	Terminal, #8 Spring Spade Tongue, 16-14 Awg
23	2-00-05206	2	Reducer-Male Pipe 1/4 X 1/8
24	2-00-05207	2	Adapter, 1/4 Hose X 1/8 Npt
25	2-00-05913	1	Fitting, 3/8" Npt-1/8" Npt Reducer Nipple
26	2-74-00059	1	Boot
27	3-61-00193	1	Wire, Red, 16 Awg X 15' <b>(15ft.)</b>
28	3-71-03025	1	1/2 Od X .375id Cobon Tubing <b>(5 ft.)</b>
29	59232A	1	Hose Assembly
30	7-03-00040	1	Adapter, 3" OD - 1.5" OD
31	7-13-07139	2	Clamp, Valve
32	1586	4	Strap-Hose-Velcro-8.5 X 1.5
33	7-18-00217	1	Decal-Power Wand
34	7-33-02306	1	Hose-Solution Feed
35	7-50-01002	1	Spray Nozzle
36	7-60-05022	1	Pump, Water 12v Dc
37	7-88-00058	1	Valve-Solution 1/4 Npt
38	8-56-05026	1	45 Street Elbow
39	2-00-04312	10	Screw, HWH 10-24 x .63
40	7-13-07097	10	Clip, Tool

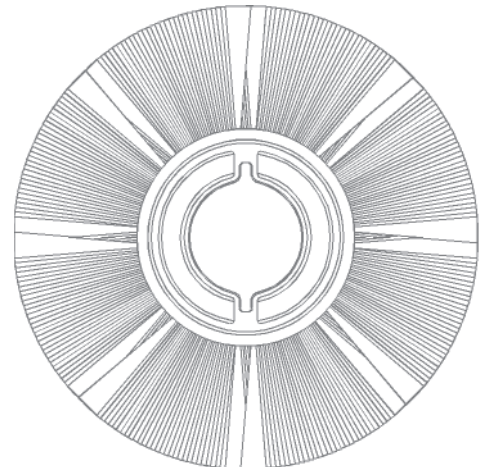


Item	Ref. No.	Qty	Description
	0780-726		Timed Filter Shaker Option
1	8-64-05011	1	Timer
2	2-00-04897	2	Screw, 10-24 x 1.25 long
3	2-00-00426	2	Flat Washer, .500 x .219 x .063
4	2-00-01246	2	Nut, 10-24 Elastic Stop
[ ]	2-00-03418	3	Spade Terminal-Female
[ ]	2-00-01128	2	Conn-Butt Splice Insulated
[ ]	3-61-00249	12"	16 Stranded Green Insul
[ ]	3-61-00189	12"	16ga Stranded Blk Insul Wire

[ ] = Not Shown



- Main Broom:**
- PN8-08-03180 Proex & Wire (STD.) (8 Double Rows)**  
This broom has a more aggressive cleaning action, used to pick up heavier debris.
- PN8-08-03193 Nylon (Optional) (8 Double Rows)**  
General purpose broom that can be used for all types of light soil. High wear material so uneven surfaces do not cause excessive wear. Nylon has a high heat deflection temperature, is chemical resistant and will absorb water in wet conditions. Truly a general purpose broom.
- PN8-08-03190 Proex (Optional) (8 Double Rows)**  
Synthetic fiber made of polypropylene designed to pick up paper, gravel, sand and other lighter less bulky litter.
- PN8-08-03198 High Density Fibre/Wire (Optional)**  
Fiber and wire bristles offer dust control from the natural vegetable fibers and a light cutting action from the crinkle wire. Designed for applications with fine dust and light compacted soilage.
- PN8-08-03196 High Density Nylon (Optional)**
- PN8-08-03200 Polypropylene (Optional) (8 Double Row)**

**8 Double Row**Length.....**50" (127 cm)**Diameter.....**14" (35.5 cm)**

- Side Broom:**
- PN8-08-03107 Polypropylene (STD. on Variable Dump)**  
The side broom function is to sweep the dirt and debris away from the curb, wall, pallet, etc. into the path of the main broom.
- PN8-08-03177 Nylon (Optional)**

Diameter.....**24" (60.9 cm)**

We provide brushes and pad holders that will give you the best possible performance between machine and floor. Following are descriptions of the materials and their applications when used on the 7765.

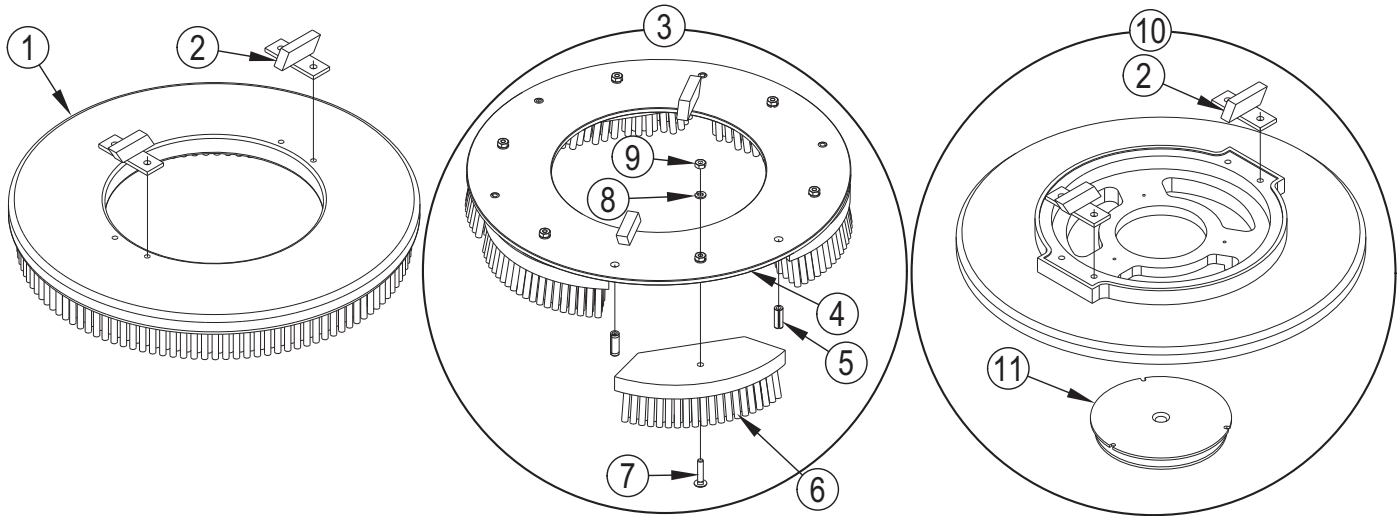
**SuperGrit:** The most aggressive grit filament available. Used primarily on concrete floors in factories to remove heavy built up soilage. The color of the filament is orange with bristle diameter of .070 and grit size of 46.

**Clean Grit:** The most widely used grit filament. Ideal for concrete or sealed concrete surfaces. The color of the filament is blue with a bristle diameter of .050 and a grit size of 80.

**Soft and Black Nylon:** Resistant to many chemicals. Do not use with acids. Soft nylon is used for light cleaning and Black nylon is used where a more aggressive brush is required combined with a long life. Soft nylon is white and blacknylon is black.

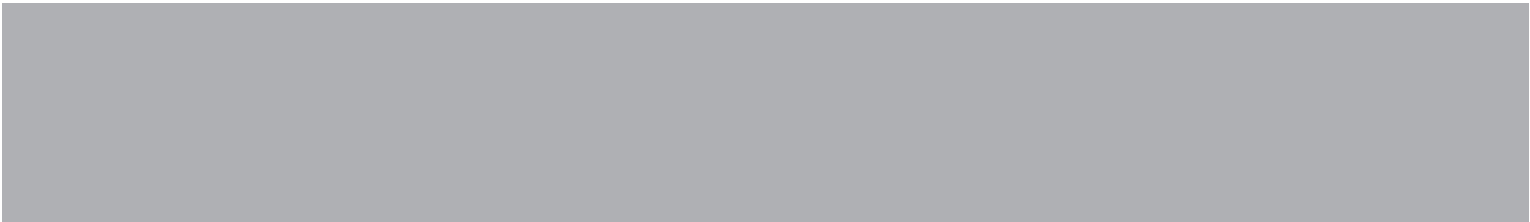
**Polypropylene:** Used for general purpose scrubbing of most hard surfaces. Commonly offered in .040" diameter bristles. Color is black.

**Straight Wire:** Used when scrubbing floors with impacted build up. A grit brush may be a better alternative.



Item	Ref. No.	Qty	Description
<b>Disc Brushes: 18" one piece disc brushes &amp; pad drivers (3 req.)</b>			
1	7-08-03170-1	3	Black Nylon Brush
1	7-08-03172-1	3	Polypropylene (.040)
1	7-08-03269	3	Clean Grit Brush
1	7-08-03173-1	3	Straight Wire Brush
1	7-08-03205-1	3	Super Grit (60/45/25) Brown
1	7-08-03262-1	3	Soft Nylon Brush
<b>Sectional Brushes:</b>			
3	0760-283	3	Brush Drive Disc Assy
4	7-19-02024	3	Brush Disc
5	56003142	18	Pin-Spr .38 x 1
<b>Plastic Back: (18 req. per machine. Must also order 3 Brush Plates)</b>			
6	7-08-03207	18	Super Grit
6	7-08-03193	18	Straight Wire
6	7-08-03194	18	Nylon (Black)
6	7-08-03248	18	Soft Nylon
6	7-08-03196	18	Polypropylene/Amerfil (.040)
6	7-08-03197	18	Amergrit
7	2-00-01951	18	Carriage Bolt 1/4-20 x 1.25 Lg
8	2-00-00518	18	Washer, Helical Spring 1/4 Med
9	2-00-00594	18	Nut, Hex 1/4 - 20 x .437 x .218
10	0772-074	3	Pad Holder-18 2lug
<b>Individual service pieces which can be ordered separately include:</b>			
2	7-45-05026		Lug (2 required)
11	7-70-00098		Center-Lok III





9435 Winnetka Ave North  
Minneapolis, MN 55445  
[www.advance-us.com](http://www.advance-us.com)  
Phone: 800-989-2235  
Fax: 800-989-6566  
©2020 Nilfisk, Inc.

